

OFFSET DISK HARROW

GAPCR-HD 8013 MECHANICAL ARTICULATED - 45D - WITH REAR HITCH

Code: 0501092327
Series: S-0118
Revision: 00
Date Revision: JUNHO/2022

PARTS CATALOGUE



MARCHESAN



PRODUCTS

| Code | Description |
|-------------|--|
| 0102060241 | GAPCR-HD 8013 45X32X9 DR DM C/ET S/P M FOLD S-0118 |
| 0102060239 | GAPCR-HD 8013 45X36X9 DR DM C/ET ME FOLDING S-0118 |
| 0102060243 | GAPCR-HD 8013 45X36X9 DR DM C/ET S/P M FOLD S-0118 |

ATTENTION: IMPORTANT

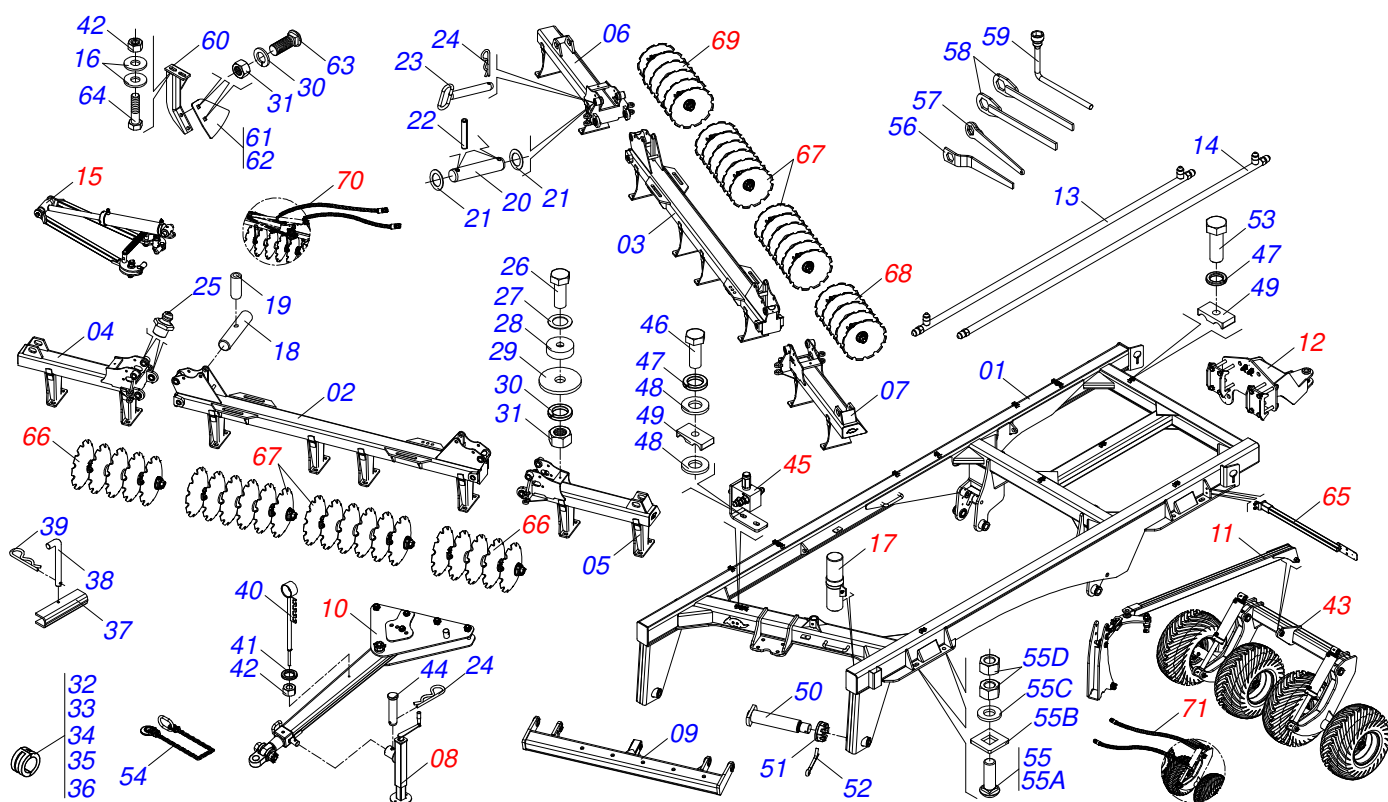
Marchesan S.A. reserves the right to improve and/or modify the technical features of its products, without obligation to do the same with those products already sold and without prior knowledge of the dealer or the consumer. The photos are only illustrative.



MARCHESAN

INDEX

| | | | |
|------------|--|-------|----|
| 0909094818 | FRAME ASSY | | 1 |
| 0511048088 | DRAWBAR JACK | | 2 |
| 0521041823 | ASSY TRACTION BAR (PIN 3) | | 3 |
| 0531040171 | ASSY HITCH | | 4 |
| 0909094820 | HEAD ARTICULATED ASSY | | 5 |
| 0511059199 | STABILIZER BAR REGULATOR EXTENSOR | | 6 |
| 0909092741 | REAR COUPLING KIT | | 7 |
| 0501053835 | FEMALE QUICK COUPLER | | 8 |
| 0909094821 | ARTICULATION ASSY | | 9 |
| 0511050181 | LH FRONT/RH REAR ARTICULACION | | 10 |
| 0511050182 | RH FRONT/LH REAR ARTICULACION | | 11 |
| 0511059197 | HYDRAULIC CYLINDER 76,20 X 114,30 X 1085 X 715 | | 12 |
| 0521052000 | ASSY PORT MANUAL INSTRUCCION | | 13 |
| 0909093678 | WHEEL ASSY | | 14 |
| 0521051832 | HYDRAULIC CYLINDER 53,98 X 114,30 X 654 X 346 | | 15 |
| 0501056467 | STUB SHAFT & HUB ASSY | | 16 |
| 0503060102 | WHEEL AND TIRE | | 17 |
| 0511059196 | VALVE ASSY | | 18 |
| 0909093685 | LANTERN FIXING ASSY | | 19 |
| 0909094822 | SECTION BLADES FRONT RIGHT/LEFT SIDE | | 20 |
| 0909094824 | FRONT / REAR CENTER DISC SECTION | | 21 |
| 0909094825 | LEFT SIDE REAR DISC SECTION | | 22 |
| 0909094827 | RIGHT SIDE REAR DISC SECTION | | 23 |
| 0511042290 | 13" X 2-1/2" OIL BATH BEARING | | 24 |
| 0511045349 | AGRICULTURAL BEARING | | 25 |
| 0909094828 | HYDRAULIC CIRCUIT FRAME ARTICULATE | | 26 |
| 0909094829 | HYDRAULIC CIRCUIT OF THE WHEELS | | 27 |

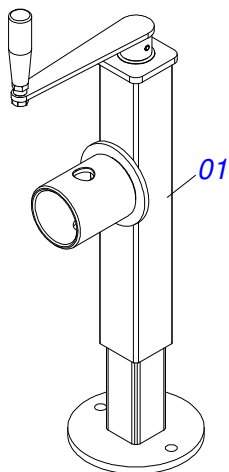


| Item | Code | Description | See page | QT |
|------|------------|------------------------------|----------|-----|
| 01 | 0521068243 | FRAME | | 01 |
| 02 | 0521068245 | FRONT FRAME | | 01 |
| 03 | 0521068251 | REAR FRAME | | 01 |
| 04 | 0521068252 | RIGHT SIDE FRONT FRAME | | 01 |
| 05 | 0521068253 | LEFT SIDE FRONT FRAME | | 01 |
| 06 | 0521068254 | RIGHT SIDE REAR FRAME | | 01 |
| 07 | 0521068255 | LEFT SIDE REAR FRAME | | 01 |
| 08 | 0511048088 | DRAWBAR JACK | 2 | 01 |
| 09 | 0521068250 | HITCH BAR | | 01 |
| 10 | 0521041823 | ASSY TRACTION BAR (PIN 3) | 3 | 01 |
| 11 | 0909094820 | HEAD ARTICULATED ASSY | 5 | 01 |
| 12 | 0909092741 | REAR COUPLING KIT | 7 | 01 |
| 13 | 0521066126 | DISTRIBUTOR OIL TUBE | | 02 |
| 14 | 0521066937 | DUCT DISTRIBUTOR OF OIL | | 02 |
| 15 | 0909094821 | ARTICULATION ASSY | 9 | 04 |
| 16 | 0541010763 | FLAT WASHER | | 180 |
| 17 | 0521052000 | ASSY PORT MANUAL INSTRUCCION | 13 | 01 |
| 18 | 0541016676 | 1.1/2 X 175 AXLE | | 04 |
| 19 | 0503013662 | 1/2" X 1" BOLT | | 04 |
| 20 | 0581015612 | JUNCTION SHAFT 50,90 X 452 | | 04 |
| 21 | 0511019776 | FLAT WASHER | | 08 |
| 22 | 0503011069 | 0.4" X 2.8" SPRING PIN | | 08 |
| 23 | 0521068256 | AXIS BLOCAGE 25,40 X 285 | | 04 |
| 24 | 0503030012 | HITCH PIN CLIP | | 05 |
| 25 | 0503010002 | 1800 GREASE FITTING | | 25 |
| 26 | 0503010233 | 5/8" X 2-1/2" BOLT | | 04 |
| 27 | 0571010265 | 16.5 X 40 X 3 FLAT WASHER | | 04 |
| 28 | 0581011153 | FRAME BEAT | | 04 |
| 29 | 0571013284 | 17.5 X 90 X 4.75 FLAT WASHER | | 06 |
| 30 | 0503010027 | 5/8" SPRING WASHER | | 94 |
| 31 | 0503010013 | 5/8" NUT | | 94 |

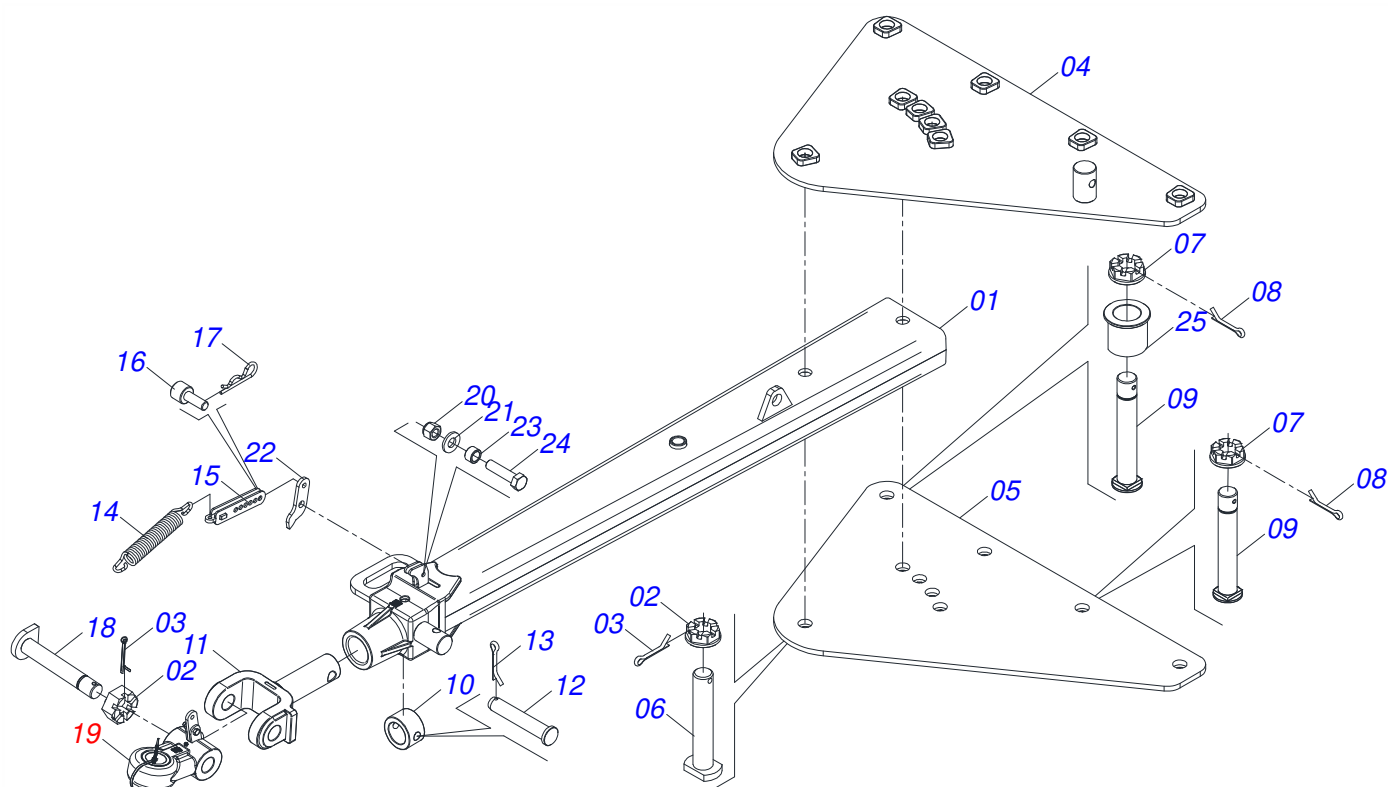


**GAPCR-HD 8013 MECHANICAL ARTICULATED - 45D - WITH
FRAME ASSY**

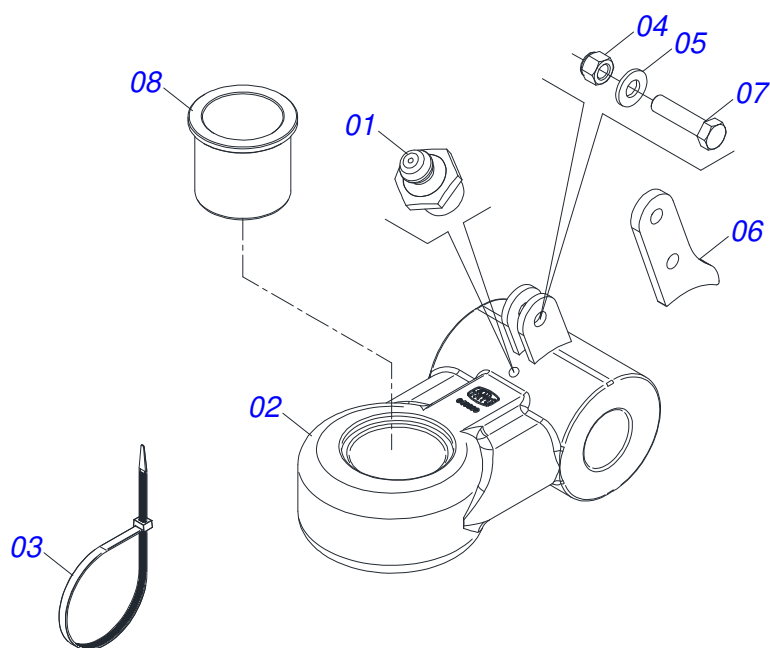
| Item | Code | Description | See page | QT |
|------|------------|--------------------------------------|----------|----|
| 32 | 0501047895 | ROD STOP | | 04 |
| 33 | 0501047885 | ROD STOP | | 02 |
| 34 | 0501047886 | ROD STOP | | 02 |
| 35 | 0501047887 | ROD STOP | | 02 |
| 36 | 0501047888 | ROD STOP | | 02 |
| 37 | 0561016693 | TRANSPORT LOCK | | 02 |
| 38 | 0541016844 | FIXER LOCK | | 02 |
| 39 | 0503030285 | HITCH PIN CLIP | | 02 |
| 40 | 0521062849 | HOSE HOLDER ASSY | | 01 |
| 41 | 0503010023 | 3/4" SPRING WASHER | | 01 |
| 42 | 0503010014 | 3/4" NUT | | 97 |
| 43 | 0909093678 | WHEEL ASSY | 14 | 01 |
| 44 | 0561014251 | COUPLING SHAFT | | 01 |
| 45 | 0511059196 | VALVE ASSY | 18 | 01 |
| 46 | 0503011173 | 7/16" X 2" BOLT | | 04 |
| 47 | 0503010180 | 7/16" SPRING WASHER | | 01 |
| 48 | 0501012803 | FLAT WASHER | | 04 |
| 49 | 0502010477 | HOSE CLAMP | | 18 |
| 50 | 0521063989 | 50,8 X 380 AXLE WITH LOCK | | 02 |
| 51 | 0501011301 | 1.1/2 UNC 6FPP 2.5/16 NUT | | 02 |
| 52 | 0503010010 | 1/4" X 2.1/2" COTTERPIN | | 02 |
| 53 | 0503011135 | BOLT | | 12 |
| 54 | 0503013150 | 1300 X 3/8 CHAIN | | 01 |
| 55 | 0521040349 | 1-1/4" X 5.3/4" BOLT | | 08 |
| 55A | 0501010954 | 1-1/4" X 5-3/4" BOLT | | 01 |
| 55B | 0571010449 | LOCK BOLT | | 01 |
| 55C | 0571010448 | 32,50 X 75 X 16 SLEEVE | | 01 |
| 55D | 0501010087 | 1.1/4" NUT | | 02 |
| 56 | 0501011432 | 1-1/2" AND 1-5/8 GANG BOLT WRENCH | | 01 |
| 57 | 0521062858 | 1.1/4" WRENCH NUT | | 01 |
| 58 | 0501061044 | 2-1/8" AND 2-1/2" CABLE FLAT WRENCH | | 02 |
| 59 | 0503016137 | 1-1/4" WRENCH CABLE CYLINDER | | 01 |
| 60 | 0511064771 | FRONT SCRAPER SUPPORT | | 22 |
| 61 | 0521013678 | FRONT CLEANER | | 11 |
| 62 | 0521013679 | REAR CLEANER | | 11 |
| 63 | 0503012195 | 5/8" NUT | | 90 |
| 64 | 0501010500 | 3/4"X3"BOLT | | 90 |
| 65 | 0909093685 | LANTERN FIXING ASSY | 19 | 02 |
| 66 | 0909094822 | SECTION BLADES FRONT RIGHT/LEFT SIDE | 20 | 01 |
| 67 | 0909094824 | FRONT / REAR CENTER DISC SECTION | 21 | 01 |
| 68 | 0909094825 | LEFT SIDE REAR DISC SECTION | 22 | 01 |
| 69 | 0909094827 | RIGHT SIDE REAR DISC SECTION | 23 | 01 |
| 70 | 0909094828 | HYDRAULIC CIRCUIT FRAME ARTICULATE | 26 | 01 |
| 71 | 0909094829 | HYDRAULIC CIRCUIT OF THE WHEELS | 27 | 01 |



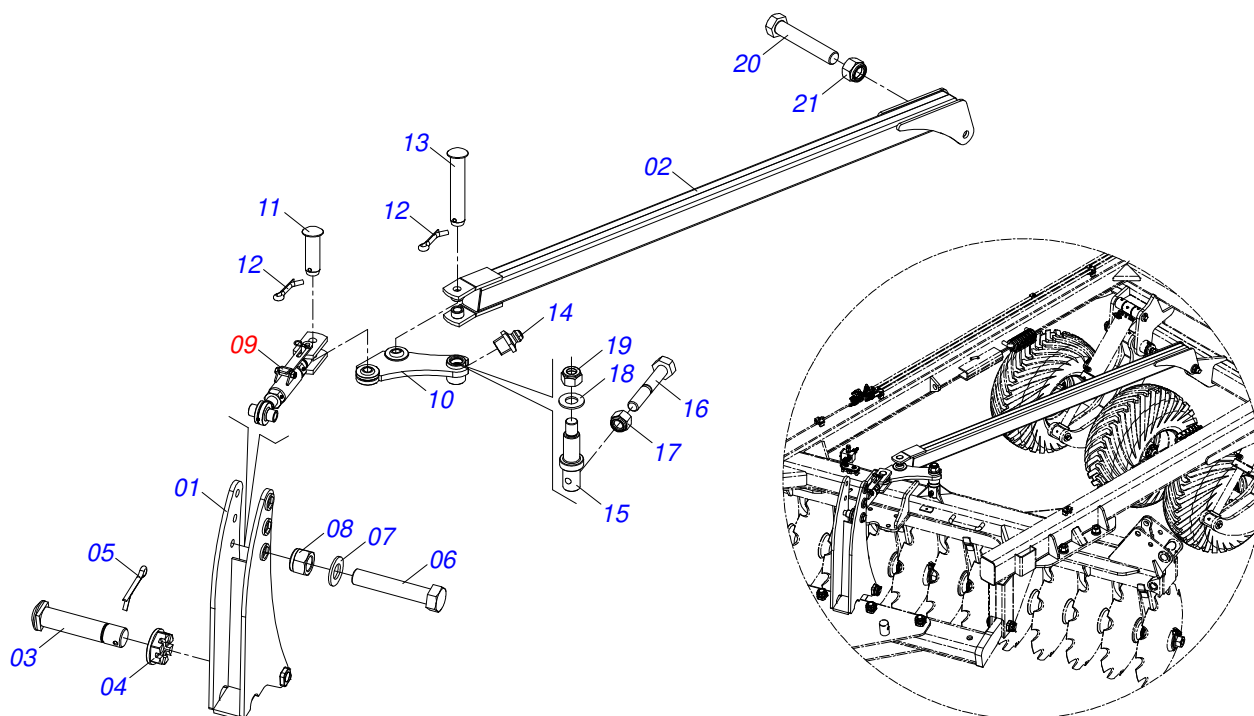
| Item | Code | Description | See page | QT |
|------|------------|--------------|----------|----|
| 01 | 0503062227 | DRAWBAR JACK | | 01 |



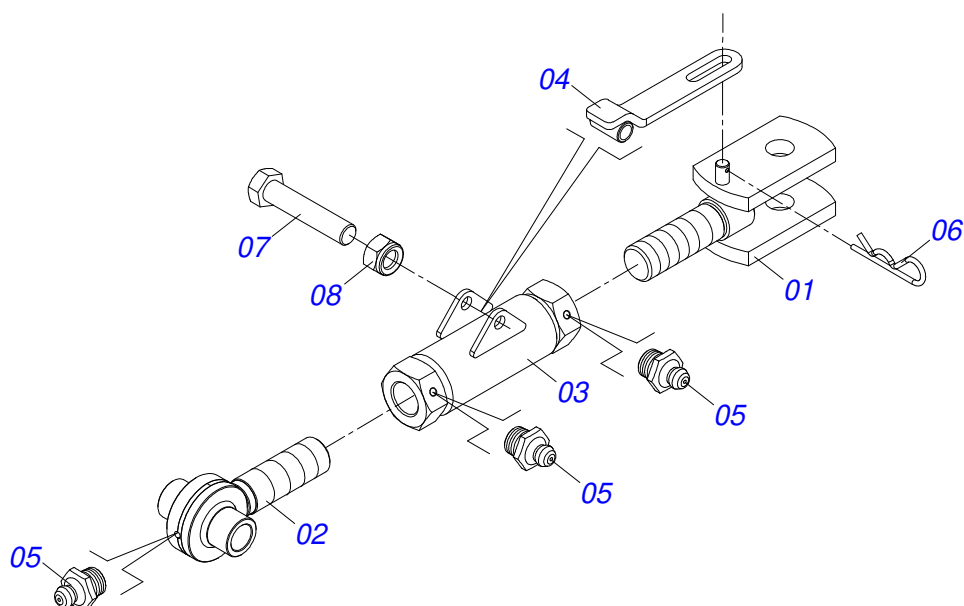
| Item | Code | Description | See page | QT |
|------|------------|--|----------|----|
| 01 | 0521068249 | BAR TRACTION (AXLE 2) | | 01 |
| 02 | 0502040558 | 2" CASTLE NUT | | 02 |
| 03 | 0503010074 | 3/8 X 0,15" COTTERPIN | | 02 |
| 04 | 0521068246 | UPPER PLATE (AXLE 2) | | 01 |
| 05 | 0521068247 | LOWER PLATE (AXLE 2) | | 01 |
| 06 | 0521068248 | SHAFT JUNCTION WITH LOCK (50,80 X 273) | | 01 |
| 07 | 0501811301 | CASTLE NUT | | 05 |
| 08 | 0503010010 | 1/4" X 2.1/2" COTTERPIN | | 05 |
| 09 | 0521811880 | 37,50 X 230 X PQ R.1/2 JUNCTION AXLE | | 05 |
| 10 | 0502040263 | ANEL TRAVA ENGATE | | 01 |
| 11 | 1902040897 | TRACTOR HITCH | | 01 |
| 12 | 0561017306 | COUPLING SHAFT | | 01 |
| 13 | 0503010523 | 1/4" X 2" COTTERPIN | | 01 |
| 14 | 0503031741 | 1.8" X 11.4" 0.3" TRACTION SPRING | | 01 |
| 15 | 0531061607 | SPRING REGULATOR | | 01 |
| 16 | 0591014558 | SPRING REGULATOR FIXER AXLE | | 01 |
| 17 | 0503030285 | HITCH PIN CLIP | | 01 |
| 18 | 0531061122 | AXIS ARTICULATOR | | 01 |
| 19 | 0531040171 | ASSY HITCH | 4 | 01 |
| 20 | 0503010589 | 1/2" UNC SELF ADJUSTING NUT | | 01 |
| 21 | 0501010937 | 13.5 X 28 X 3 FLAT WASHER | | 01 |
| 22 | 0591014554 | REAR EAR FIXING SPRING | | 01 |
| 23 | 0591014552 | SLEEVE | | 01 |
| 24 | 0503010740 | BOLT 1/2 UNC X 2 CS G.5 ZN | | 01 |
| 25 | 0591013086 | SLEEVE | | 01 |



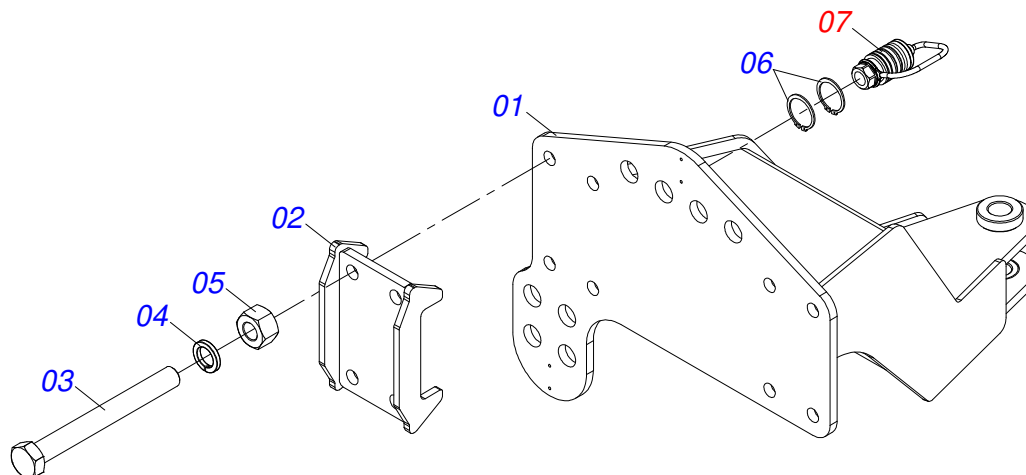
| Item | Code | Description | See page | QT |
|------|------------|-----------------------------|----------|----|
| 01 | 0503010002 | 1800 GREASE FITTING | | 01 |
| 02 | 0531061121 | HITCH | | 01 |
| 03 | 0503018829 | NYLON CLAMP | | 01 |
| 04 | 0503010589 | 1/2" UNC SELF ADJUSTING NUT | | 01 |
| 05 | 0501010937 | 13.5 X 28 X 3 FLAT WASHER | | 01 |
| 06 | 0591014555 | FRONT EAR FIXING SPRING | | 01 |
| 07 | 0503010740 | BOLT 1/2 UNC X 2 CS G.5 ZN | | 01 |
| 08 | 0591013448 | SLEEVE | | 01 |



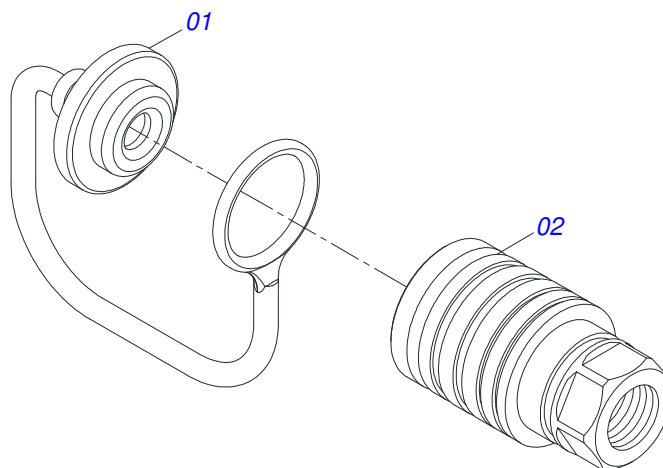
| Item | Code | Description | See page | QT |
|------|------------|-----------------------------------|----------|----|
| 01 | 0521066758 | HEADER ARTICULATOR | | 01 |
| 02 | 0521066759 | STABILIZER BAR | | 01 |
| 03 | 0521012053 | 1.5" X 8.6" AXLE | | 01 |
| 04 | 0501011301 | 1.1/2 UNC 6FPP 2.5/16 NUT | | 01 |
| 05 | 0503010010 | 1/4" X 2.1/2" COTTERPIN | | 01 |
| 06 | 0521017351 | 1-1/4" X 8" BOLT | | 01 |
| 07 | 0501017779 | 32 X 60 X 4.75 FLAT WASHER | | 01 |
| 08 | 0503010817 | 1.1/4" SELF LOCKING NUT | | 01 |
| 09 | 0511059199 | STABILIZER BAR REGULATOR EXTENSOR | 6 | 01 |
| 10 | 0521066960 | ARTICULADOR STABILIZER BAR | | 01 |
| 11 | 0521010780 | 1.2" X 4.5" COUPLING SHAFT | | 01 |
| 12 | 0503010523 | 1/4" X 2" COTTERPIN | | 02 |
| 13 | 0581811919 | AXIS JUNCTION | | 01 |
| 14 | 0503010002 | 1800 GREASE FITTING | | 01 |
| 15 | 0581011775 | EJE PIVOT SHAFT STABILIZER BAR | | 01 |
| 16 | 0501010216 | 3/4" X 4-1/2" BOLT | | 01 |
| 17 | 0503011075 | 3/4" UNC NUT | | 01 |
| 18 | 0501010287 | FLAT WASHER | | 01 |
| 19 | 0503010290 | SELF ADJUSTING 1.1/2" UNF NUT | | 01 |
| 20 | 0503013321 | SCREW 1.1/4 UNF X 7 C S G.8 ZN | | 01 |
| 21 | 0503010817 | 1.1/4" SELF LOCKING NUT | | 01 |



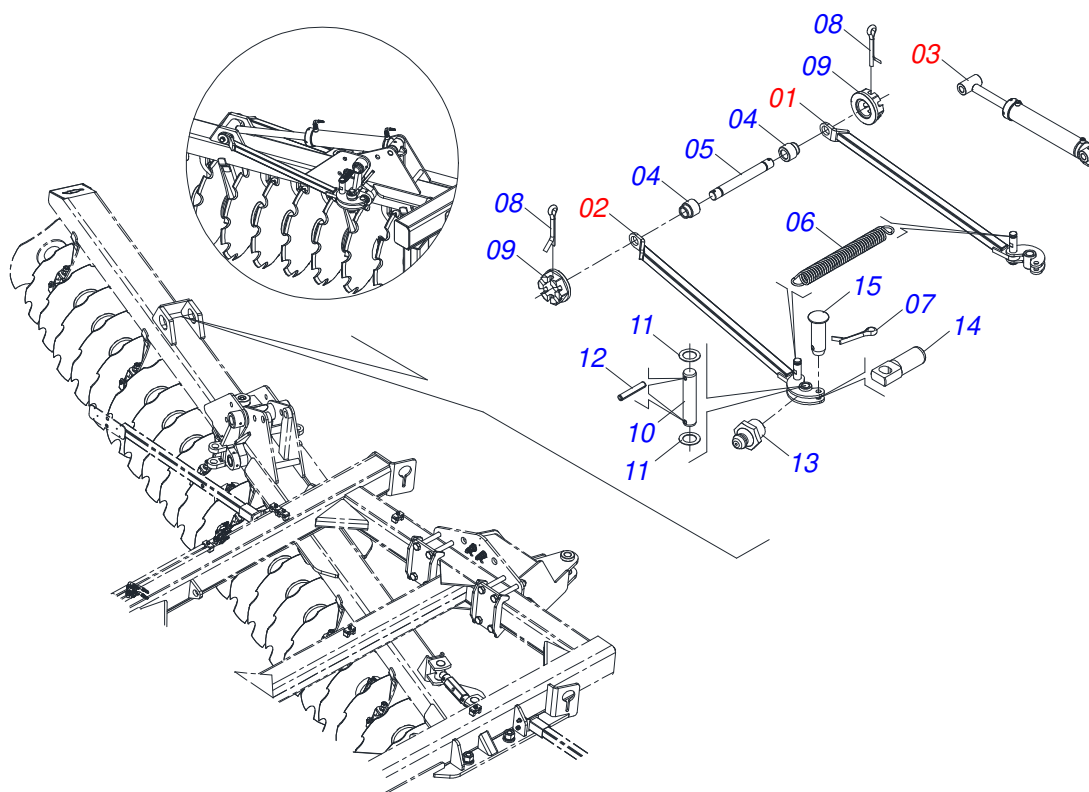
| Item | Code | Description | See page | QT |
|------|------------|--|----------|----|
| 01 | 0521066962 | JACK CRANK C/O. R.1.3/4 ESQUERDO | | 01 |
| 02 | 0521066965 | JACK CRANK NUT FIXER R.1.3/4 UNC DIREITO | | 01 |
| 03 | 0521066963 | ADJUSTMENT NUT R.1.3/4 UNC (245) | | 01 |
| 04 | 0521066964 | LEVER STABILIZER OF TENSOR REGULATOR | | 01 |
| 05 | 0503010002 | 1800 GREASE FITTING | | 03 |
| 06 | 0503030285 | HITCH PIN CLIP | | 01 |
| 07 | 0503010806 | 5/8" X 3" BOLT | | 01 |
| 08 | 0503010878 | 5/8" SELF ALIGNING NUT | | 01 |



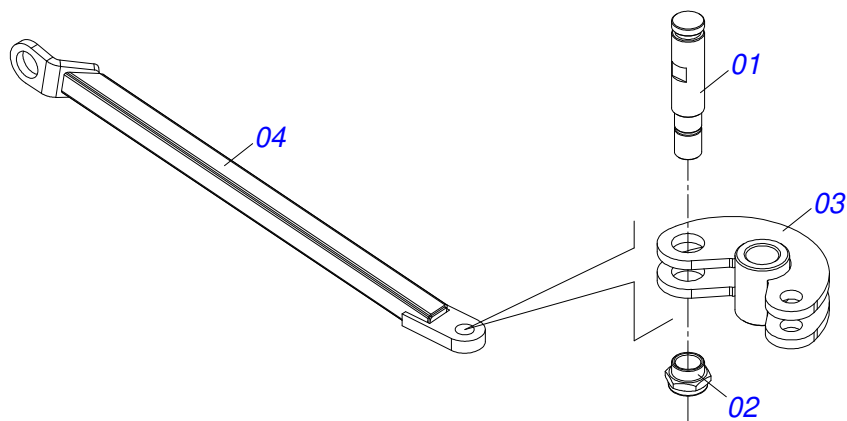
| Item | Code | Description | See page | QT |
|------|------------|---------------------------------|----------|----|
| 01 | 0521065966 | REAR HITCH | | 01 |
| 02 | 0521065965 | FIXER CLAW | | 02 |
| 03 | 0501010064 | 1" X 9" BOLT | | 08 |
| 04 | 0503010012 | 1" SPRING WASHER | | 08 |
| 05 | 0501010059 | 1.5/8 NUT | | 08 |
| 06 | 0503010217 | 501040 CLAMPING RING (FOR AXLE) | | 04 |
| 07 | 0501053835 | FEMALE QUICK COUPLER | 8 | 02 |



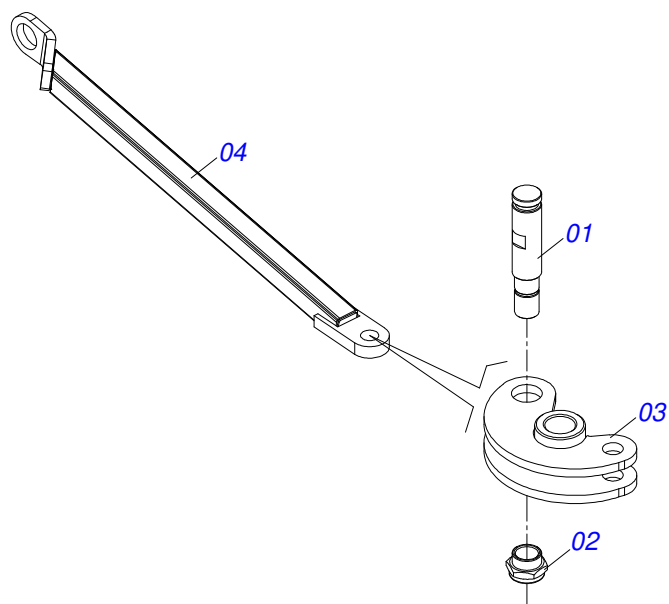
| Item | Code | Description | See page | QT |
|------|------------|------------------------|----------|----|
| 01 | 0503011883 | QUICK CONNECTION COVER | | 01 |
| 02 | 0503011628 | FEMALE QUICK COUPLER | | 01 |



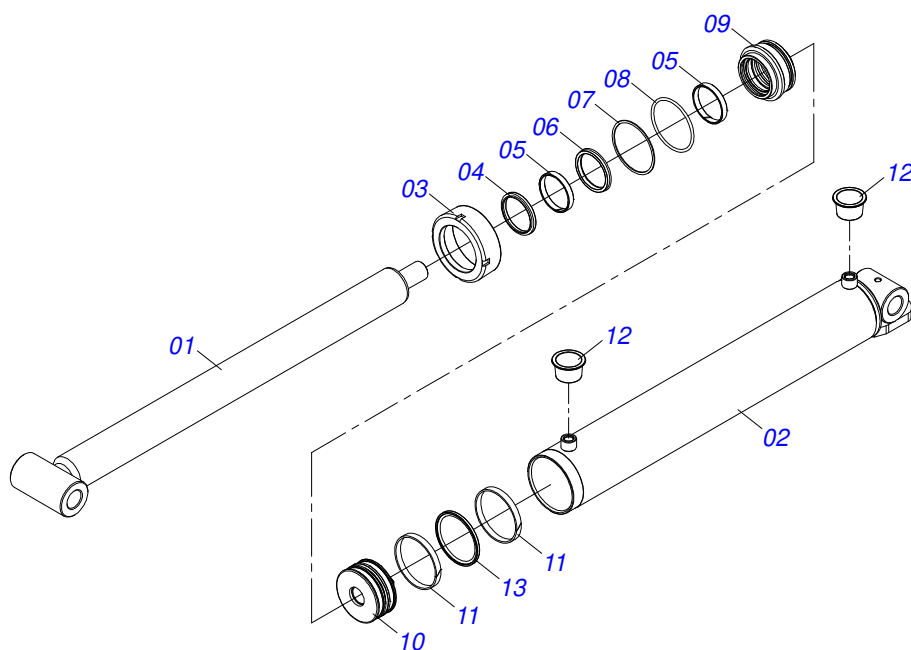
| Item | Code | Description | See page | QT |
|------|------------|--|----------|----|
| 01 | 0511050181 | LH FRONT/RH REAR ARTICULACION | 10 | 04 |
| 02 | 0511050182 | RH FRONT/LH REAR ARTICULACION | 11 | 04 |
| 03 | 0511059197 | HYDRAULIC CYLINDER 76,20 X 114,30 X 1085 X 715 | 12 | 04 |
| 04 | 0541016614 | 38,20 X 62 X 61 SLEEVE | | 08 |
| 05 | 0501210091 | ARTICULATOR PIVOT AXIS | | 04 |
| 06 | 0503034605 | SPRING TRACTION 50,70 X 411 X 6,35 | | 04 |
| 07 | 0503010571 | 1/4" X 1.1/2 COTTERPIN | | 08 |
| 08 | 0503010010 | 1/4" X 2.1/2" COTTERPIN | | 08 |
| 09 | 0501011301 | 1.1/2 UNC 6FPP 2.5/16 NUT | | 08 |
| 10 | 0541016677 | 37,20 X 177 COUPLING SHAFT | | 08 |
| 11 | 0511019685 | FLAT WASHER | | 16 |
| 12 | 0503010361 | SPRING PIN | | 16 |
| 13 | 0503010002 | 1800 GREASE FITTING | | 02 |
| 14 | 0561013283 | LOCK AXLE FRAME | | 08 |
| 15 | 0521010572 | 0.9" X 2.9" COUPLING SHAFT | | 08 |



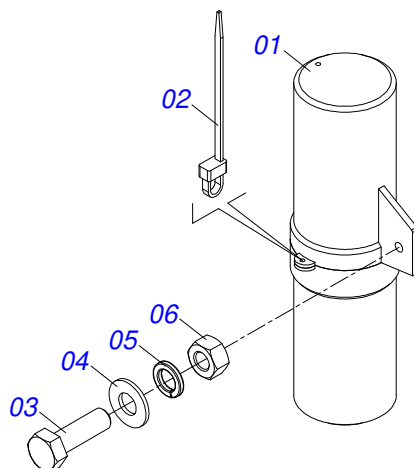
| Item | Code | Description | See page | QT |
|------|------------|------------------------|----------|----|
| 01 | 0561014074 | LOCK AXLE | | 01 |
| 02 | 0541019258 | 1.1/4 ADJUSTING NUT | | 01 |
| 03 | 0521060779 | LOCK PIN | | 01 |
| 04 | 0521060770 | FRONT ARTICULACION ARM | | 01 |



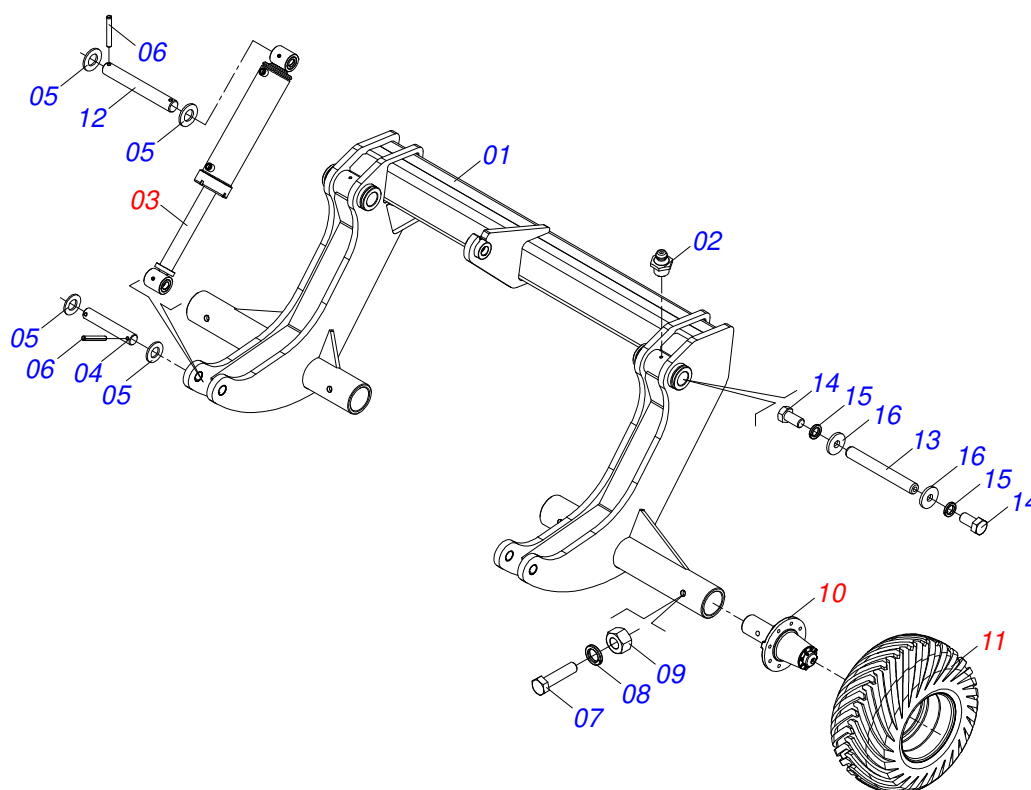
| Item | Code | Description | See page | QT |
|------|------------|-----------------------|----------|----|
| 01 | 0561014074 | LOCK AXLE | | 01 |
| 02 | 0541019258 | 1.1/4 ADJUSTING NUT | | 01 |
| 03 | 0521060779 | LOCK PIN | | 01 |
| 04 | 0521060771 | ARTICULATION ARM ASSY | | 01 |



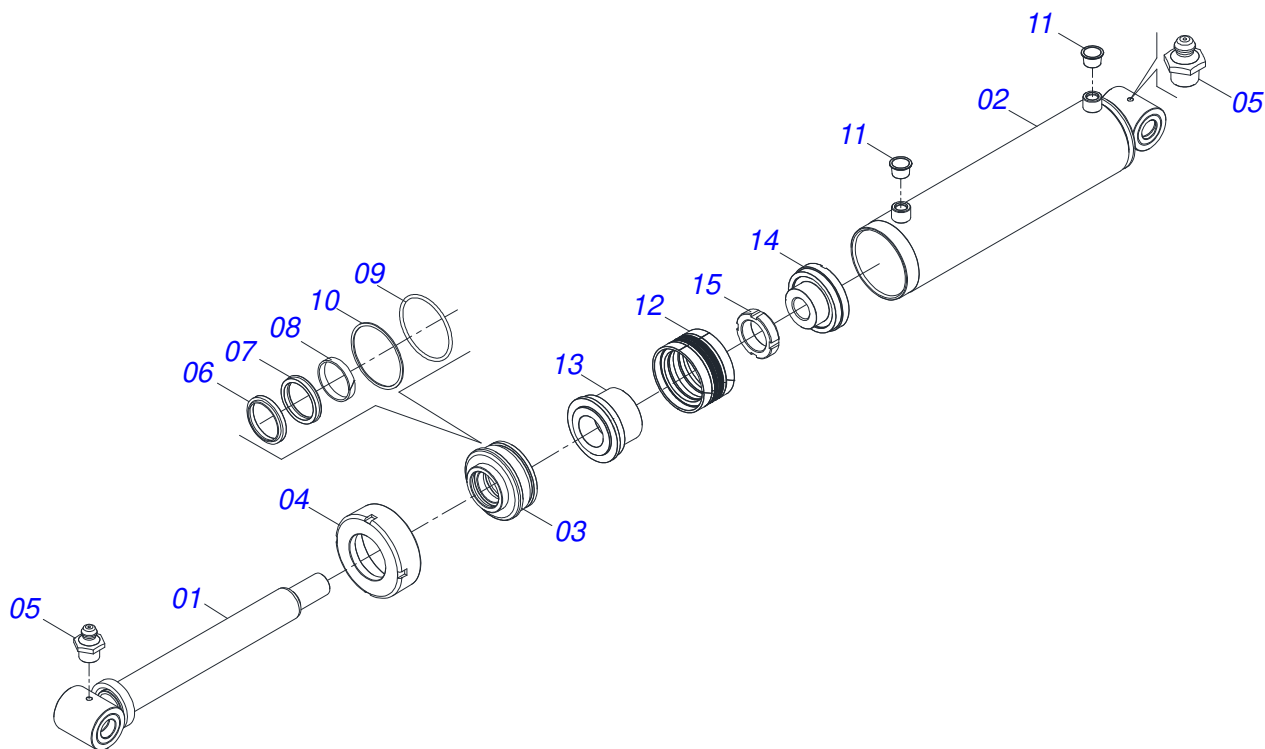
| Item | Code | Description | See page | QT |
|------|------------|-------------------------------------|----------|----|
| 01 | 0521060777 | TURNBUCKLE 76,20 X 1020,50 CRO 7012 | | 01 |
| 02 | 0521067412 | SHIRT 114.30 X 897.50 WITH BEATER | | 01 |
| 03 | 0502012629 | MOBILE COVER 114,30 (E. 76,20) | | 01 |
| 04 | 0503012642 | D-3000 SCRAPER RING | | 01 |
| 05 | 0503013553 | SEAL RING | | 02 |
| 06 | 0503013552 | GASKET | | 01 |
| 07 | 0503011893 | BACK-UP RING, 8-346 | | 01 |
| 08 | 0503011892 | O' RING, 2-346 N 3006-9B | | 01 |
| 09 | 0502012628 | RING SUPPORT 76,30 X 114,20 GCRO | | 01 |
| 10 | 0502012477 | 114,30 PISTON | | 01 |
| 11 | 0503011891 | W2-4500-500 RING G.E | | 02 |
| 12 | 0503030384 | CON PLUG N-001 | | 02 |
| 13 | 0503014692 | OE 114,3 GASKET | | 01 |



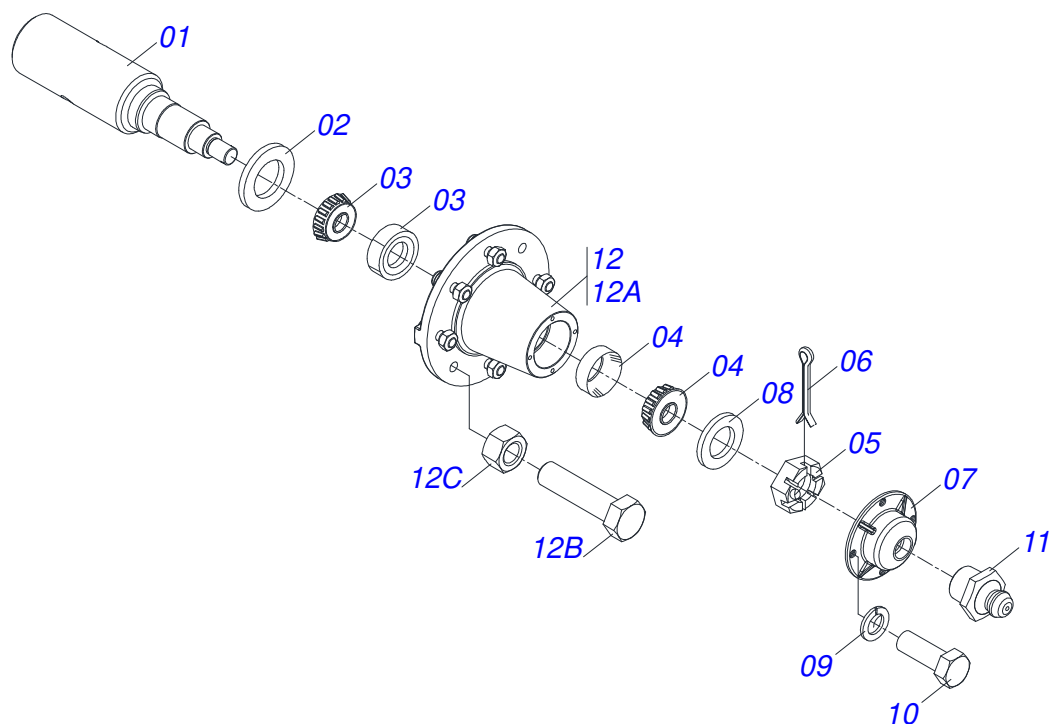
| Item | Code | Description | See page | QT |
|------|------------|--------------------------------|----------|----|
| 01 | 0503060100 | OPERATOR'S MANUAL STORAGE TUBE | | 01 |
| 02 | 0503010267 | NYLON CLAMP | | 01 |
| 03 | 0503010363 | 5/16" X 1" BOLT | | 01 |
| 04 | 0501010694 | FLAT WASHER | | 01 |
| 05 | 0503010179 | LOCK WASHER | | 01 |
| 06 | 0503010337 | 5/16" NUT | | 01 |
| 07 | 0511032995 | BAG WITH INSTRUCTION MANUAL | | 01 |



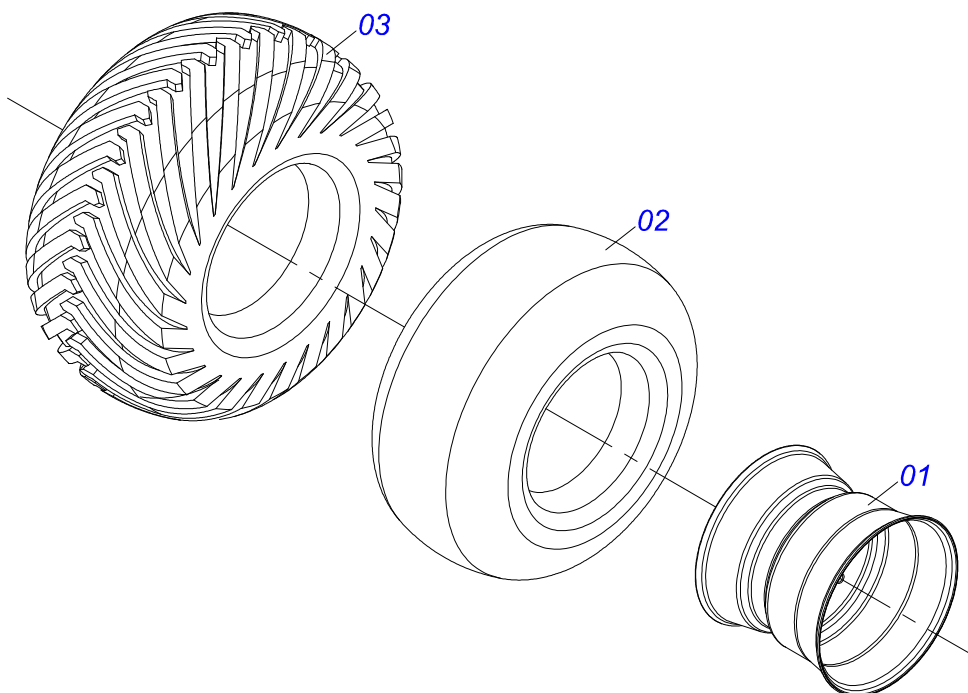
| Item | Code | Description | See page | QT |
|------|------------|---|----------|----|
| 01 | 0521066478 | CARRYNG-WHEELS | | 01 |
| 02 | 0503010002 | 1800 GREASE FITTING | | 02 |
| 03 | 0521051832 | HYDRAULIC CYLINDER 53,98 X 114,30 X 654 X 346 | 15 | 02 |
| 04 | 0531018101 | 1.2" X 6.3" PIVOT SHAFT | | 02 |
| 05 | 0501017779 | 32 X 60 X 4.75 FLAT WASHER | | 08 |
| 06 | 0503011877 | 0.3" X 2.4" SPRING PIN | | 08 |
| 07 | 0503011198 | C3/4" X 6" SCREW | | 02 |
| 08 | 0503010023 | 3/4" SPRING WASHER | | 02 |
| 09 | 0503010014 | 3/4" NUT | | 02 |
| 10 | 0501056467 | STUB SHAFT & HUB ASSY | 16 | 02 |
| 10. | 0531051143 | WHEEL WITHOUT TIRE 11.25INX8.62INX10F (HOLE 50) | | 04 |
| 11 | 0503060102 | WHEEL AND TIRE | 17 | 02 |
| 12 | 0531018105 | 1.2" X 11.8" PIVOT SHAFT | | 02 |
| 13 | 0531018062 | COUPLING SHAFT | | 02 |
| 14 | 0503011250 | 1" X 2" BOLT | | 04 |
| 15 | 0503010012 | 1" SPRING WASHER | | 04 |
| 16 | 0521011565 | FLAT WASHER | | 04 |



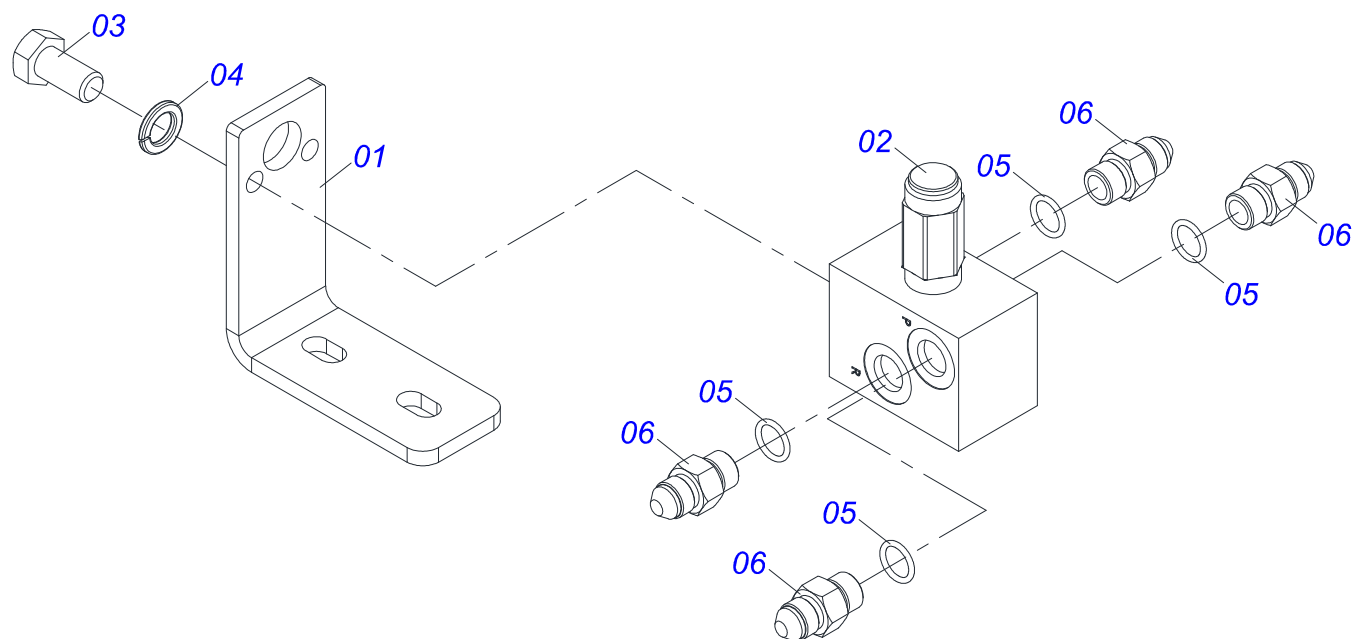
| Item | Code | Description | See page | QT |
|------|------------|-------------------------------|----------|----|
| 01 | 0521061684 | 56,98 X 590,50 TURNBUCKLE | | 01 |
| 02 | 0521061685 | 114,30 X 500 CYLINDER CASE | | 01 |
| 03 | 0502012644 | RING SUPPORT | | 01 |
| 04 | 0502011222 | 0.56" END CAP | | 01 |
| 05 | 0503010002 | 1800 GREASE FITTING | | 02 |
| 06 | 0503015715 | SCRAPER SEALING | | 01 |
| 07 | 0503015642 | U-CUP SEALING | | 01 |
| 08 | 0503015641 | WEAR RING | | 00 |
| 09 | 0503011892 | O' RING, 2-346 N 3006-9B | | 01 |
| 10 | 0503011893 | BACK-UP RING, 8-346 | | 01 |
| 11 | 0503030384 | CON PLUG N-001 | | 02 |
| 12 | 0503015640 | SEALING SELEMASTER | | 01 |
| 13 | 0561016578 | PISTON BODY | | 01 |
| 14 | 0581015283 | BODY | | 01 |
| 15 | 0503819100 | SCREW | | 01 |
| 16 | 0501038027 | HYDRAULIC CYLINDER REPAIR KIT | | 01 |



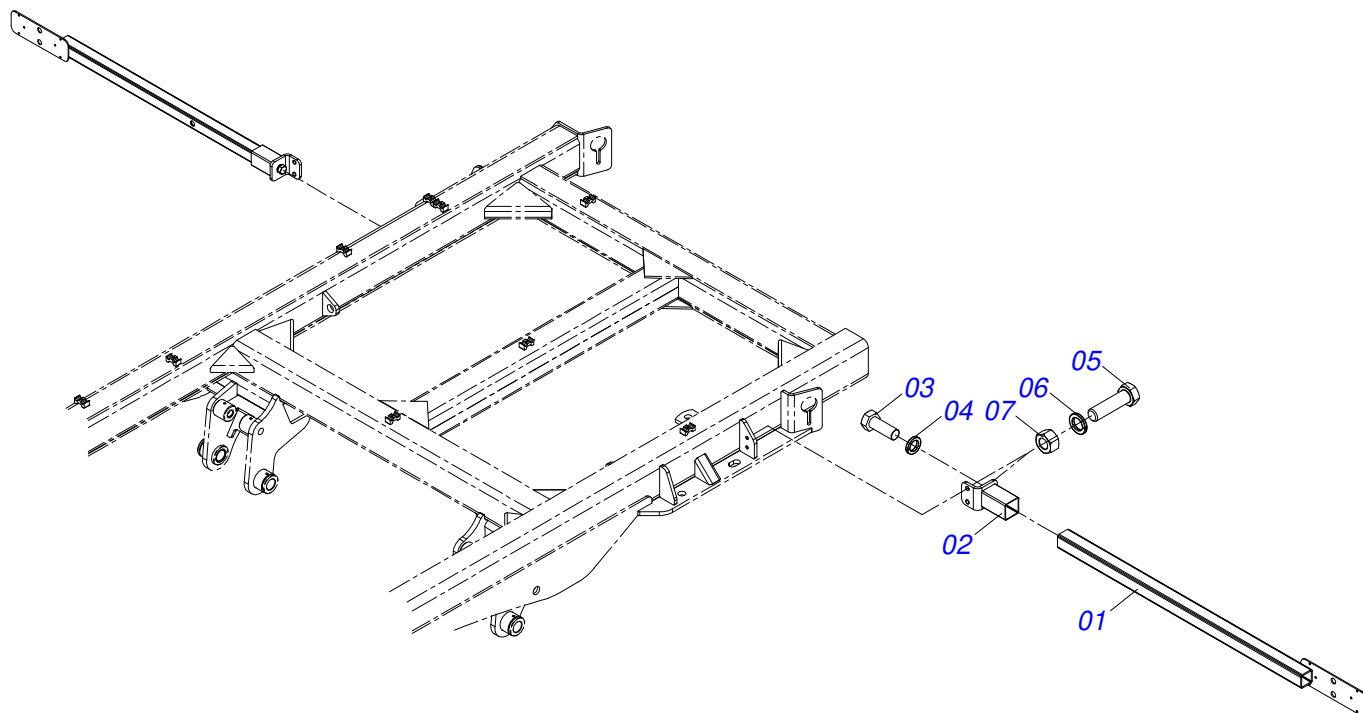
| Item | Code | Description | See page | QT |
|------|------------|---------------------------------------|----------|----|
| 01 | 0541016566 | POINT AXIS 3.1/2 X 375 | | 01 |
| 02 | 0503013314 | RETAINER 5166-GB 63,5 X 110 X 13 ARCA | | 01 |
| 03 | 0503015290 | 3780/3720 ROLLER BEARING | | 01 |
| 04 | 0503014821 | ROLLER BEARING | | 01 |
| 05 | 0503830009 | 1" X 0.9" CASTLE NUT | | 01 |
| 06 | 0503010018 | 5/32 X 1-1/2 COTTERPIN | | 01 |
| 07 | 0502020591 | PROTECCION COVER | | 01 |
| 08 | 0511812492 | FLAT WASHER | | 01 |
| 09 | 0503011444 | SPRING WASHER | | 04 |
| 10 | 0503810358 | 5/16" X 7/8" UNC BOLT | | 04 |
| 11 | 0503010002 | 1800 GREASE FITTING | | 01 |
| 12 | 0501110738 | CARRYING WHEEL HUB | | 01 |
| 12A | 0502012260 | TRANSPORT WHEEL BOX | | 01 |
| 12B | 0501010186 | WHEEL SCREW 5/8UNF X 2.1/8CR | | 08 |
| 12C | 0503010064 | 5/8 UNF CONIC NUT | | 08 |



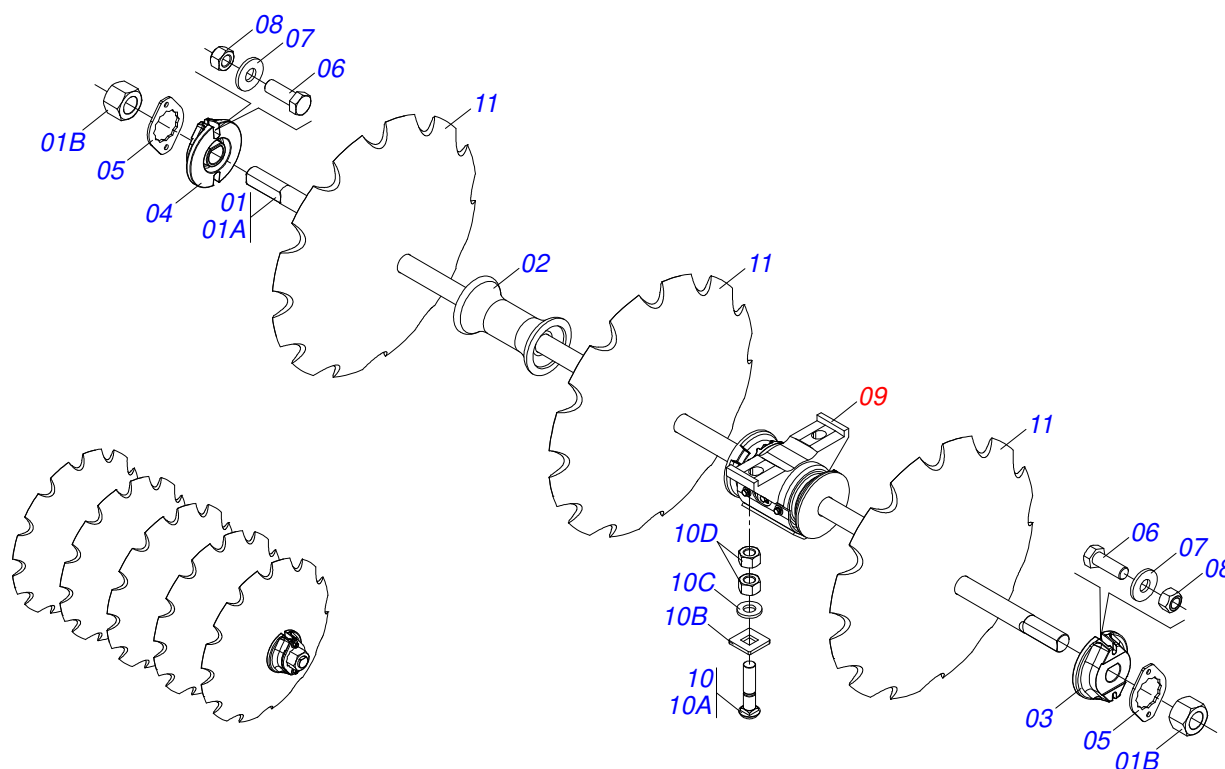
| Item | Code | Description | See page | QT |
|------|------------|--------------------------------|----------|----|
| 01 | 0501069483 | WHEEL | | 01 |
| 02 | 0503012112 | 400/60 - 15.5 TR 15 INNER TIRE | | 01 |
| 03 | 0503013119 | CANVAS TIRE | | 01 |



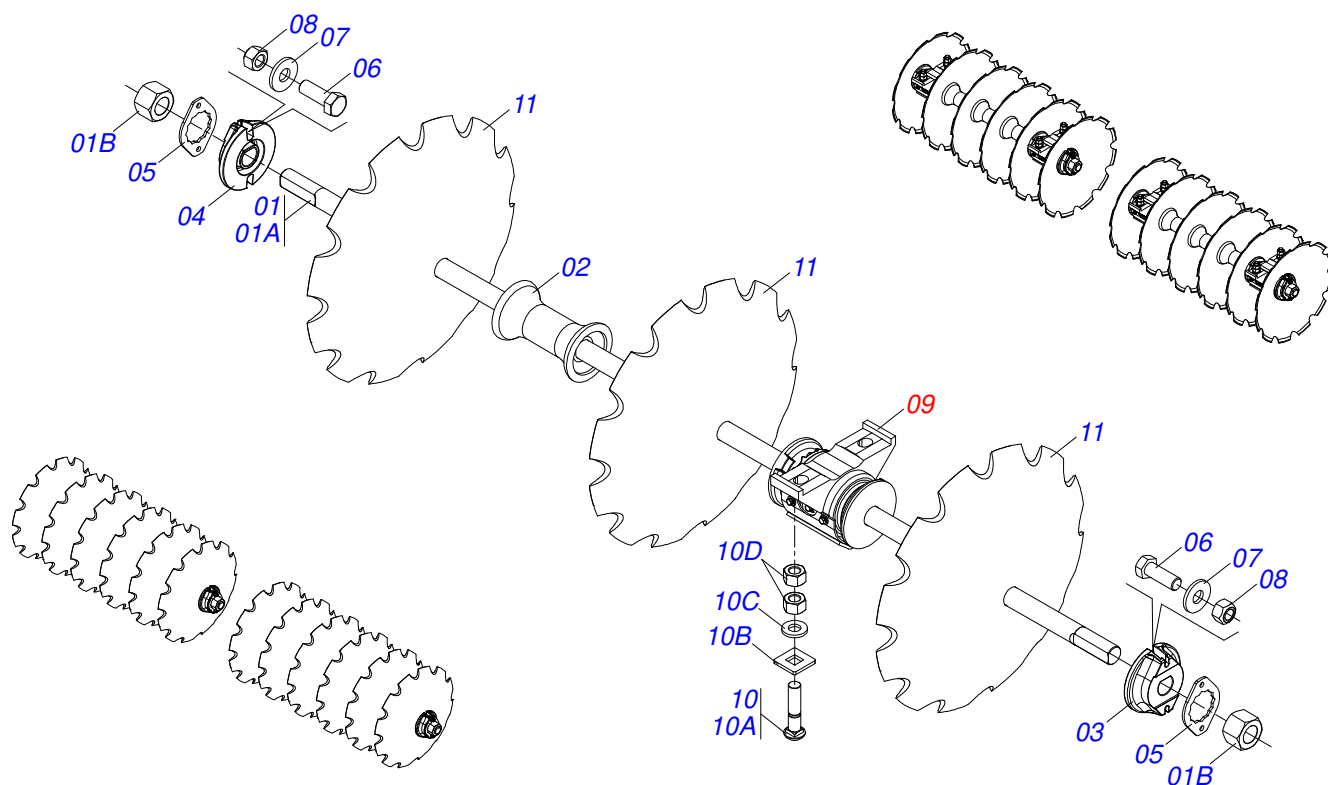
| Item | Code | Description | See page | QT |
|------|------------|------------------------------|----------|----|
| 01 | 0581011745 | VALVE SUPPORT | | 01 |
| 02 | 0503010919 | DISCHARGE VALVE | | 01 |
| 03 | 0503011334 | BOLT 3/8 UNC X 3/4 CS G.5 ZN | | 02 |
| 04 | 0503010025 | 3/8" SPRING WASHER | | 02 |
| 05 | 0503010190 | 2-114 N 3006-9B O'RING | | 04 |
| 06 | 0501010617 | 3/4" NIPPLE | | 04 |



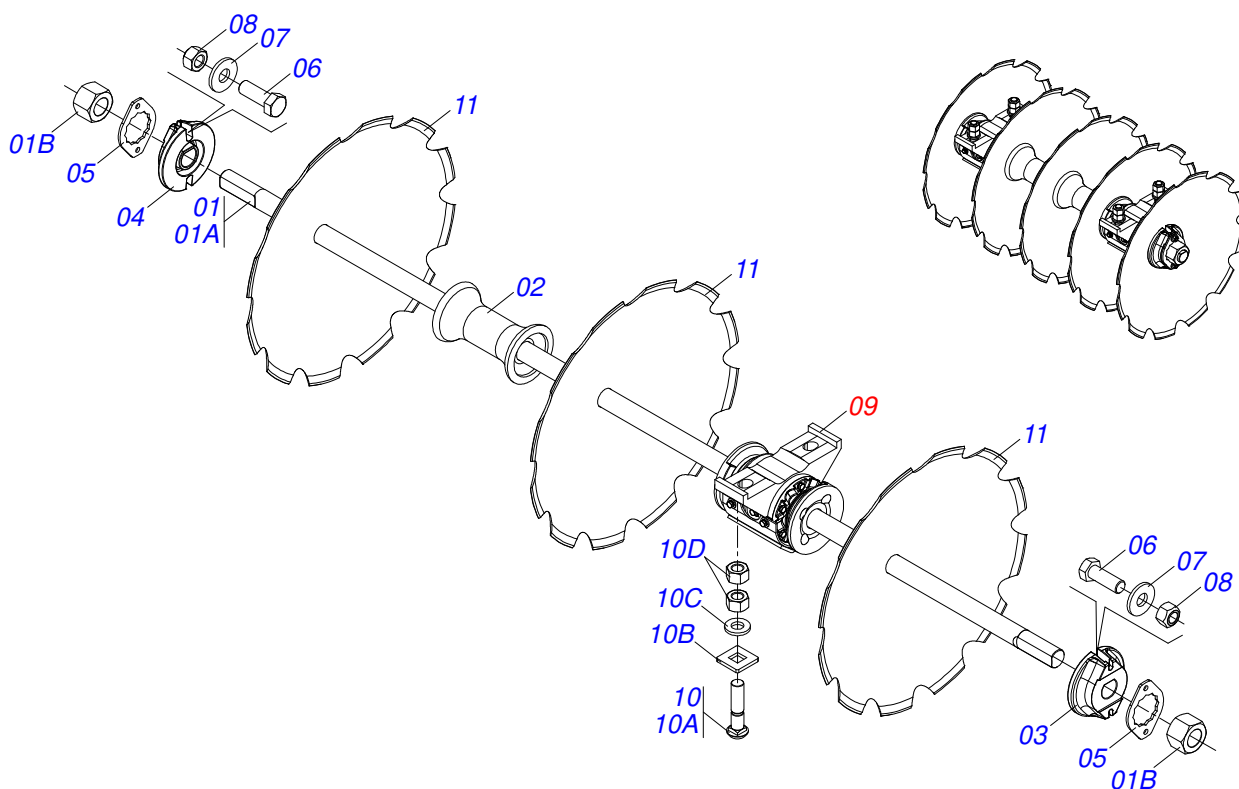
| Item | Code | Description | See page | QT |
|------|------------|-----------------------|----------|----|
| 01 | 0521066443 | SUPPORT FIXER LANTERN | | 02 |
| 02 | 0521066624 | FIXER SUPPORT LANTERN | | 02 |
| 03 | 0501010098 | 3/4" UNC BOLT | | 02 |
| 04 | 0503010023 | 3/4" SPRING WASHER | | 02 |
| 05 | 0503011082 | C1/2" X 1.3/4" SCREW | | 04 |
| 06 | 0503010019 | 1/2" SPRING WASHER | | 04 |
| 07 | 0503010060 | 1/2" NUT | | 04 |



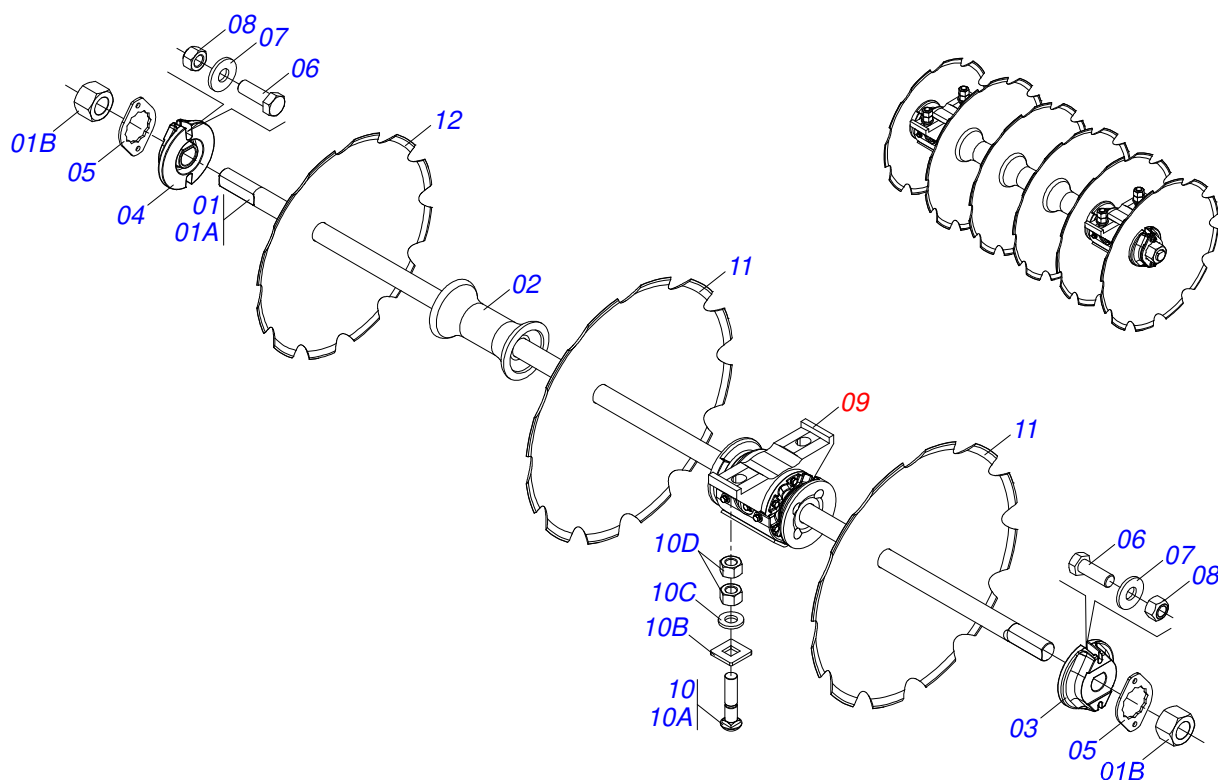
| Item | Code | Description | See page | QT |
|------|------------|-------------------------------|----------|----|
| 01 | 0511042483 | 2-1/2" X 65" AXLE WITH NUTS | | 02 |
| 01A | 0541012128 | 2-1/2" X 65" AXLE WITH NUTS | | 02 |
| 01B | 0502040064 | 2.1/2"SNC X 70 99 NUT | | 04 |
| 02 | 0502011425 | 13" X 2-1/2" SPACER | | 04 |
| 03 | 0502010593 | 2-1/2" EXTERNAL AXLE WASHER | | 02 |
| 04 | 0502010592 | 2-1/2" INNER AXLE WASHER | | 02 |
| 05 | 0541010368 | NUT LOCK | | 04 |
| 06 | 0503010232 | 5/8" X 1.3/4" BOLT | | 08 |
| 07 | 0501012140 | FLAT WASHER | | 08 |
| 08 | 0503012412 | 5/8 UNC SELF LOCKING NUT | | 08 |
| 09 | 0511042290 | 13" X 2-1/2" OIL BATH BEARING | 24 | 04 |
| 10 | 0501041301 | 1-1/4"X 5-3/4" ASSY BOLT | | 08 |
| 10A | 0501010954 | 1-1/4" X 5-3/4" BOLT | | 08 |
| 10B | 0501010953 | 1-1/4" SQUARE WASHER | | 08 |
| 10C | 0531010713 | FLAT WASHER | | 08 |
| 10D | 0501010087 | 1.1/4" NUT | | 16 |
| 11 | 0602048063 | 36" X 0.3" NOTCHED DISC BLADE | | 10 |
| 11. | 0602044002 | 32" X 0.3" NOTCHED DISC BLADE | | 10 |



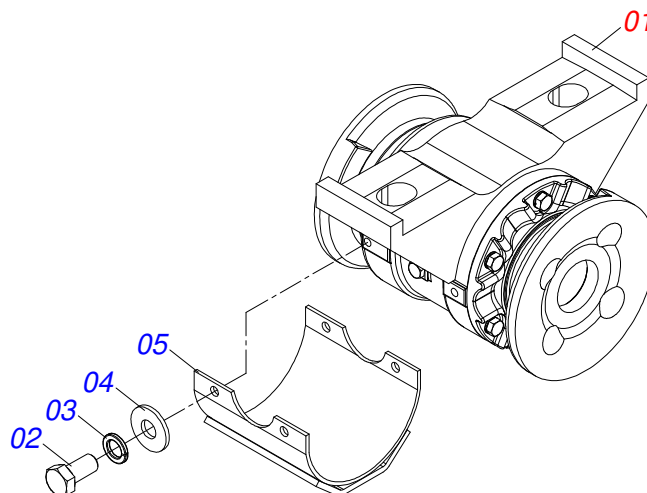
| Item | Code | Description | See page | QT |
|------|------------|-------------------------------|----------|----|
| 01 | 0511042484 | 2-1/2" X 78" AXLE WITH NUTS | | 04 |
| 01A | 0541012129 | 2-1/2" X 78" AXLE | | 04 |
| 01B | 0502040064 | 2.1/2"SNC X 70 99 NUT | | 08 |
| 02 | 0502011425 | 13" X 2-1/2" SPACER | | 12 |
| 03 | 0502010593 | 2-1/2" EXTERNAL AXLE WASHER | | 04 |
| 04 | 0502010592 | 2-1/2" INNER AXLE WASHER | | 04 |
| 05 | 0541010368 | NUT LOCK | | 08 |
| 06 | 0503010232 | 5/8" X 1.3/4" BOLT | | 16 |
| 07 | 0501012140 | FLAT WASHER | | 16 |
| 08 | 0503012412 | 5/8 UNC SELF LOCKING NUT | | 16 |
| 09 | 0511042290 | 13" X 2-1/2" OIL BATH BEARING | 24 | 16 |
| 10 | 0501041301 | 1-1/4"X 5-3/4" ASSY BOLT | | 16 |
| 10A | 0501010954 | 1-1/4" X 5-3/4" BOLT | | 16 |
| 10B | 0501010953 | 1-1/4" SQUARE WASHER | | 16 |
| 10C | 0531010713 | FLAT WASHER | | 16 |
| 10D | 0501010087 | 1.1/4" NUT | | 32 |
| 11 | 0602048063 | 36" X 0.3" NOTCHED DISC BLADE | | 24 |
| 11. | 0602044033 | 32 X 9MM NOTCHED DISC | | 24 |



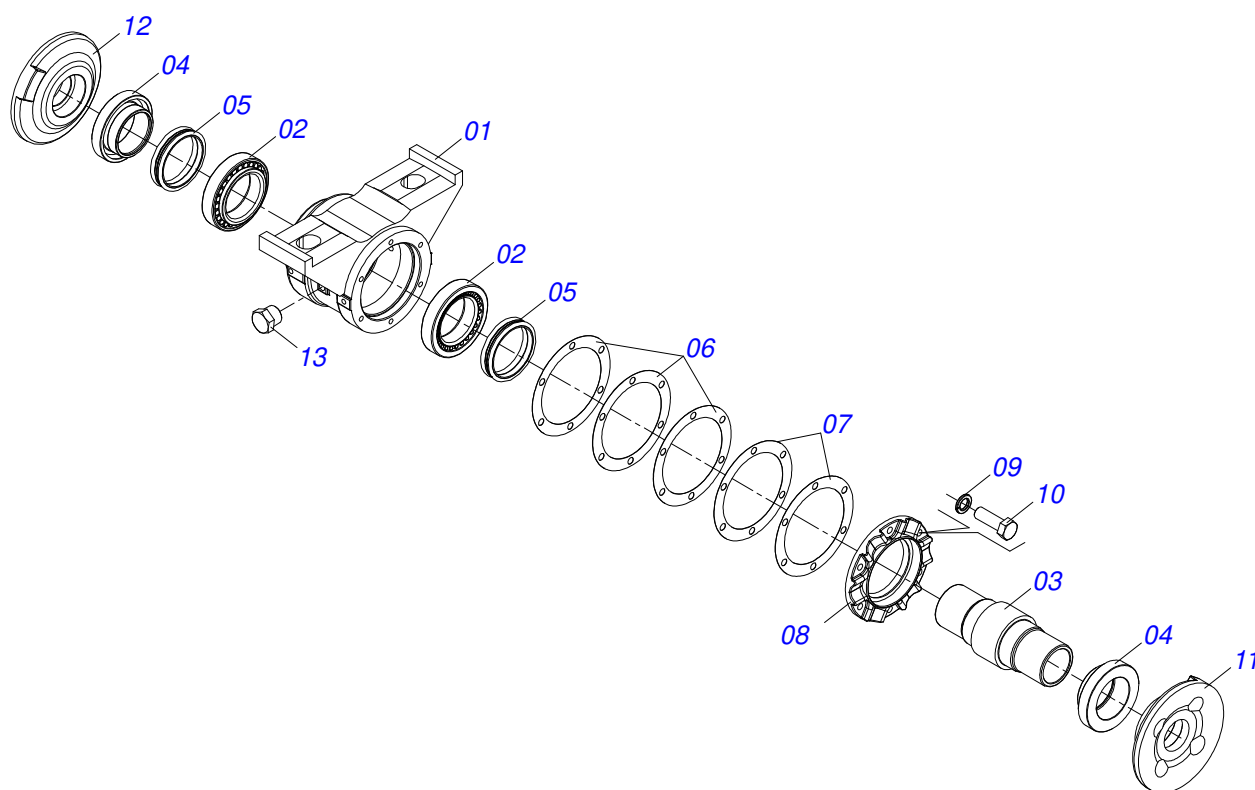
| Item | Code | Description | See page | QT |
|------|------------|-------------------------------|----------|----|
| 01 | 0511042483 | 2-1/2" X 65" AXLE WITH NUTS | | 01 |
| 01A | 0541012128 | 2-1/2" X 65" AXLE WITH NUTS | | 01 |
| 01B | 0502040064 | 2.1/2"SNC X 70 99 NUT | | 02 |
| 02 | 0502011425 | 13" X 2-1/2" SPACER | | 02 |
| 03 | 0502010592 | 2-1/2" INNER AXLE WASHER | | 01 |
| 04 | 0502010593 | 2-1/2" EXTERNAL AXLE WASHER | | 01 |
| 05 | 0541010368 | NUT LOCK | | 02 |
| 06 | 0503010232 | 5/8" X 1.3/4" BOLT | | 04 |
| 07 | 0501012140 | FLAT WASHER | | 04 |
| 08 | 0503012412 | 5/8 UNC SELF LOCKING NUT | | 04 |
| 09 | 0511042290 | 13" X 2-1/2" OIL BATH BEARING | 24 | 02 |
| 10 | 0501041301 | 1-1/4"X 5-3/4" ASSY BOLT | | 04 |
| 10A | 0501010954 | 1-1/4" X 5-3/4" BOLT | | 04 |
| 10B | 0501010953 | 1-1/4" SQUARE WASHER | | 04 |
| 10C | 0531010713 | FLAT WASHER | | 04 |
| 10D | 0501010087 | 1.1/4" NUT | | 08 |
| 11 | 0602048063 | 36" X 0.3" NOTCHED DISC BLADE | | 05 |
| 11. | 0602044002 | 32" X 0.3" NOTCHED DISC BLADE | | 05 |



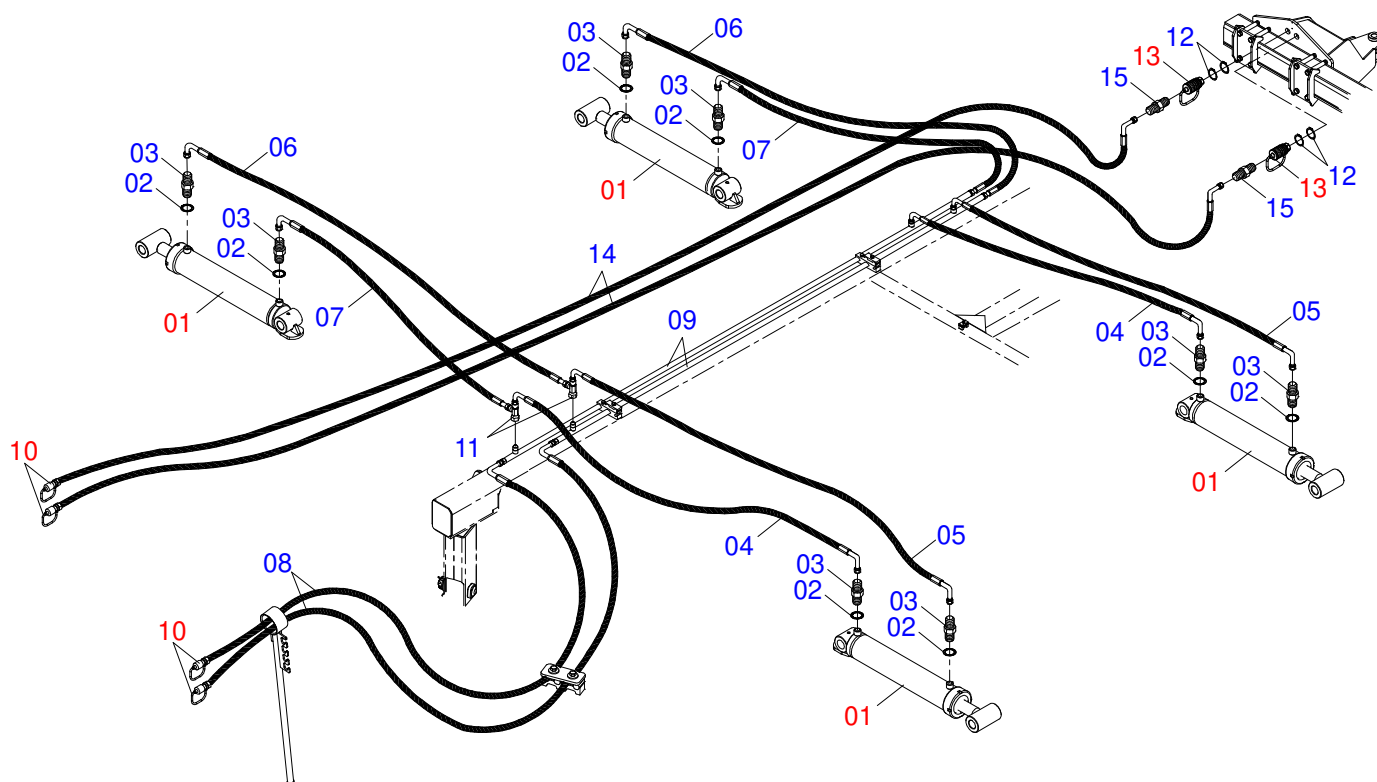
| Item | Code | Description | See page | QT |
|------|------------|-------------------------------|----------|----|
| 01 | 0511042484 | 2-1/2" X 78" AXLE WITH NUTS | | 01 |
| 01A | 0541012129 | 2-1/2" X 78" AXLE | | 01 |
| 01B | 0502040064 | 2.1/2"SNC X 70 99 NUT | | 02 |
| 02 | 0502011425 | 13" X 2-1/2" SPACER | | 03 |
| 03 | 0502010592 | 2-1/2" INNER AXLE WASHER | | 01 |
| 04 | 0502010593 | 2-1/2" EXTERNAL AXLE WASHER | | 01 |
| 05 | 0541010368 | NUT LOCK | | 02 |
| 06 | 0503010232 | 5/8" X 1.3/4" BOLT | | 04 |
| 07 | 0501012140 | FLAT WASHER | | 04 |
| 08 | 0503012412 | 5/8 UNC SELF LOCKING NUT | | 04 |
| 09 | 0511042290 | 13" X 2-1/2" OIL BATH BEARING | 24 | 02 |
| 10 | 0501041301 | 1-1/4"X 5-3/4" ASSY BOLT | | 04 |
| 10A | 0501010954 | 1-1/4" X 5-3/4" BOLT | | 04 |
| 10B | 0501010953 | 1-1/4" SQUARE WASHER | | 04 |
| 10C | 0531010713 | FLAT WASHER | | 04 |
| 10D | 0501010087 | 1.1/4" NUT | | 08 |
| 11 | 0602048063 | 36" X 0.3" NOTCHED DISC BLADE | | 05 |
| 12 | 0602044033 | 32 X 9MM NOTCHED DISC | | 01 |



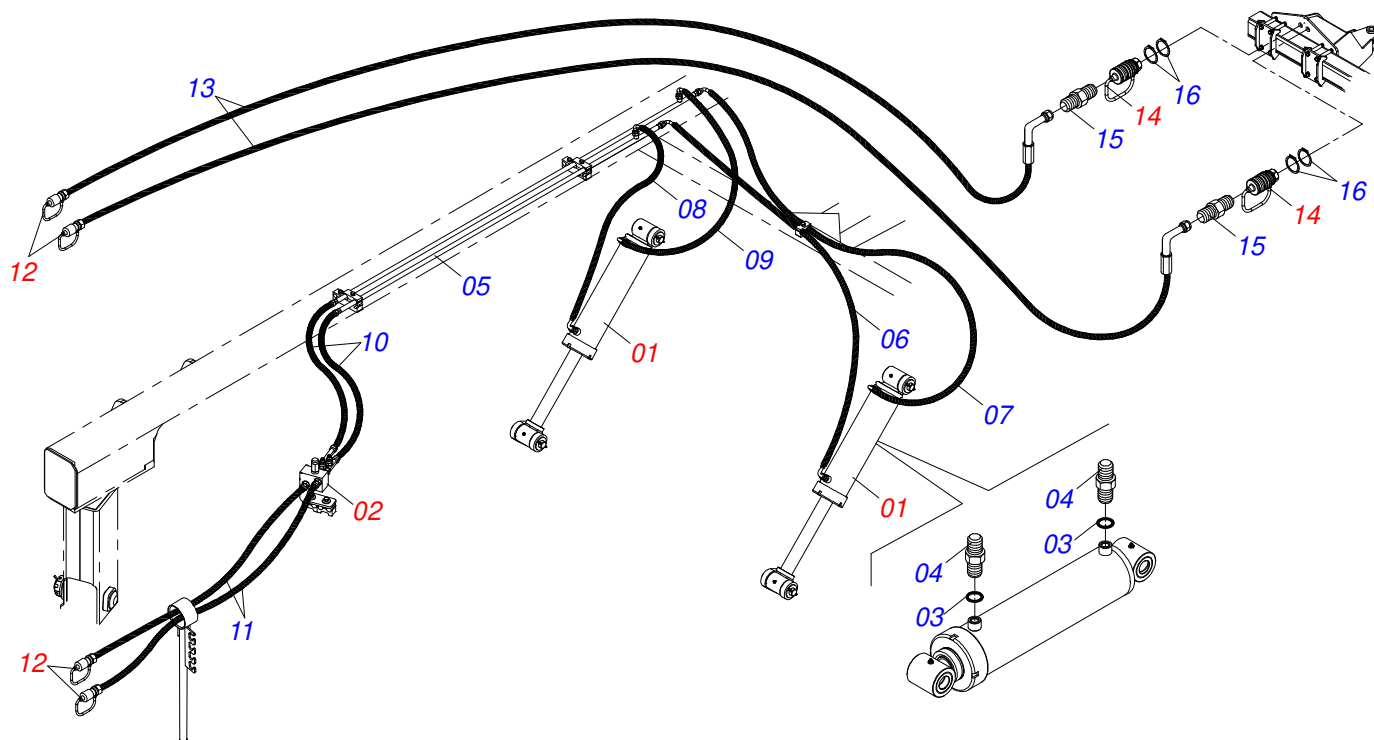
| Item | Code | Description | See page | QT |
|------|------------|---|----------|----|
| 01 | 0511045349 | AGRICULTURAL BEARING | 25 | 01 |
| 02 | 0503010834 | 1/2 X 1 BOLT | | 04 |
| 03 | 0503010019 | 1/2" SPRING WASHER | | 04 |
| 04 | 0511017302 | FLAT WASHER | | 04 |
| 05 | 0521067034 | BEARING PROTECTIVE COVER WITH REINFORCEMENT | | 01 |



| Item | Code | Description | See page | QT |
|------|------------|----------------------------|----------|----|
| 01 | 0502012218 | 13" 2-1/2" HOUSING BEARING | | 01 |
| 02 | 0503010482 | 594A/592A ROLLER BEARING | | 02 |
| 03 | 0502040204 | AXLE | | 01 |
| 04 | 0502040119 | SEAL RETAINER | | 02 |
| 05 | 0503030029 | SEAL # LP JB-259 | | 02 |
| 06 | 0503030537 | 8.3" X 6.3" X 0.01" JOINT | | 03 |
| 07 | 0503030687 | 8.3" X 6.3" X 0.004" JOINT | | 02 |
| 08 | 0502010644 | HOUSING CAP DM | | 01 |
| 09 | 0503011440 | SPRING WASHER | | 06 |
| 10 | 0503010920 | 1/2" X 1.1/2" BOLT | | 06 |
| 11 | 0502012239 | BEARING OUTER FLANGE | | 01 |
| 12 | 0502012238 | BEARING INNER FLANGE | | 01 |
| 13 | 0503010856 | OIL PLUG | | 02 |



| Item | Code | Description | See page | QT |
|------|------------|--|----------|----|
| 01 | 0511059197 | HYDRAULIC CYLINDER 76,20 X 114,30 X 1085 X 715 | 12 | 04 |
| 02 | 0503010190 | 2-114 N 3006-9B O'RING | | 08 |
| 03 | 0501010617 | 3/4" NIPPLE | | 08 |
| 04 | 0501080578 | TC-TC HOSE ASSY | | 02 |
| 05 | 0501080909 | 3/8 X 4600 TC-TC HOSE | | 02 |
| 06 | 0501080401 | 3/8" X 106" TR-TC HOSE | | 02 |
| 07 | 0501080450 | TR-TC HOSE ASSY | | 02 |
| 08 | 0501080850 | 3/8" X 6100 TC-TM HOSE | | 02 |
| 09 | 0521066126 | DISTRIBUTOR OIL TUBE | | 02 |
| 10 | 0501053834 | MALE QUICK COUPLER | | 04 |
| 11 | 0503011968 | 3/4" 8R6X-S T ADAPTER WITH SWIVEL NUT | | 04 |
| 12 | 0503010217 | 501040 CLAMPING RING (FOR AXLE) | | 04 |
| 13 | 0501053835 | FEMALE QUICK COUPLER | 8 | 02 |
| 14 | 0501082031 | HOSE | | 02 |
| 15 | 0571015342 | 3/4" NIPPLE | | 02 |



| Item | Code | Description | See page | QT |
|------|------------|---|----------|----|
| 01 | 0521051832 | HYDRAULIC CYLINDER 53,98 X 114,30 X 654 X 346 | 15 | 02 |
| 02 | 0511059196 | VALVE ASSY | 18 | 01 |
| 03 | 0503010190 | 2-114 N 3006-9B O'RING | | 04 |
| 04 | 0501010617 | 3/4" NIPPLE | | 04 |
| 05 | 0521066937 | DUCT DISTRIBUTOR OF OIL | | 02 |
| 06 | 0501080432 | 3/8 X 2600 TC-TC HOSE ASSY | | 01 |
| 07 | 0501080393 | 3/8 X 2200 TC-TC HOSE | | 01 |
| 08 | 0501080065 | 3/8 X 1200 TC-TC HOSE | | 01 |
| 09 | 0501080931 | 3/8" X 39" TC-TC HOSE ASSY | | 02 |
| 10 | 0501080106 | TR-TR HOSE ASSY | | 01 |
| 11 | 0501080205 | HOSE 3/8 X 5500 TR-TM | | 02 |
| 12 | 0501053834 | MALE QUICK COUPLER | | 04 |
| 13 | 0501082031 | HOSE | | 02 |
| 14 | 0501053835 | FEMALE QUICK COUPLER | 8 | 02 |
| 15 | 0571015342 | 3/4" NIPPLE | | 02 |
| 16 | 0503010217 | 501040 CLAMPING RING (FOR AXLE) | | 04 |



MARCHESAN

Technical Publications | Elaboration and Revision

ALESSANDRA PATRICIA KAWAHARA CARRILI

www.marchesan.com.br

