

PARTS CATALOG

CHASER BIN

DCA2 7500 MC WITH HYDRAULIC DRIVE / SUPER REDUCTION

Code: 0501092317



Series: S-0118

Rev.: 00

Date Rev.: NOVEMBRO/2018

ORIGINAL PARTS
TATU



PRODUCTS

Code	Description
0109090247	DCA2 7500 MC C/ACIONAM HIDR /SUP RED /DIRE S-0118
0109090226	DCA2 7500 MC C/ACIONAM HIDR SUP RED S-0118

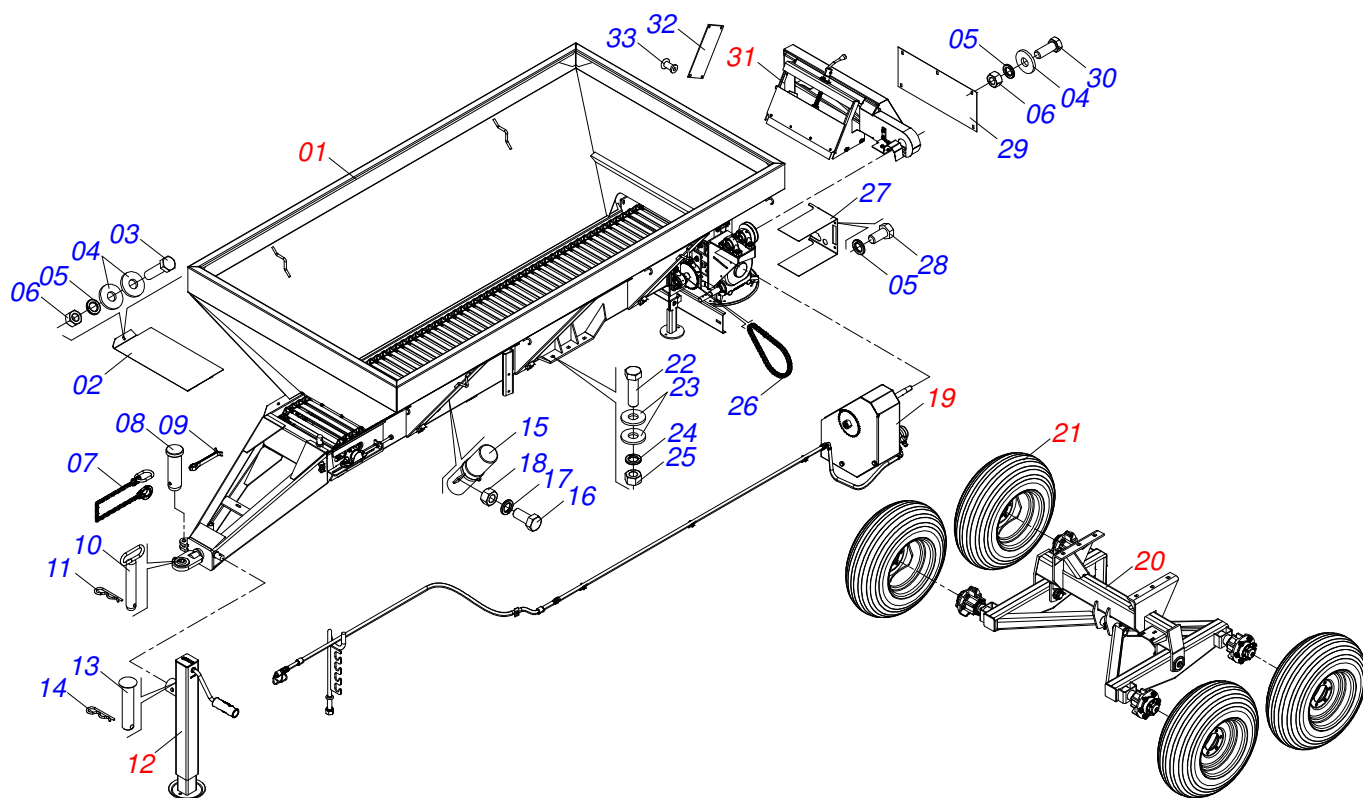
ATTENTION: **IMPORTANT**

MARCHESAN S/A RESERVES THE RIGHT AT ANY TIME TO MAKE IMPROVEMENTS IN THE DESIGN, MATERIAL OR SPECIFICATIONS OF MACHINERY, EQUIPMENT OR PARTS WITHOUT THEREBY BECOMING LIABLE TO MAKE SIMILAR CHANGES IN MACHINERY, EQUIPMENT OR PARTS PREVIOUSLY SOLD.

INDEX

0909094943	FRAME ASSY	1
0521053878	FRAME WITH BUCKET SEMI MOUNTED HYDRAULIC DRIVE / SUPER REDUCTION	2
0909094948	MOVED AXLE ASSY	3
0501044308	AGRICULTURAL BEARING ASSY	4
0511041213	AGRICULTURAL BEARING	5
0501046802	BELT TENSIONER ASSY	6
0501047985	REDUCER	7
0501051774	38Z CONICAL	8
0909094949	ENGINE AXLE ASSY	9
0511059305	REAR PROTECTION WITH MINOR PROTECTOR	10
0521053162	SUPER REDUCTION ASSY	11
0909094950	FLUX DIVIDER ASSY	12
0501051972	DISTRIBUTOR RIGHT DISC ASSY	13
0501051973	DISTRIBUTOR LEFT DISC ASSY	14
0501051782	RIGHT BEARING SUPPORT DISC	15
0501051783	LEFT BEARING SUPPORT DISC	16
0501048000	AGRICULTURAL BEARING	17
0503062157	HEADER JACK	18
0521053879	HYDRAULIC DRIVE ASSY WITH SUPERIOR REDUCTION	19
0511053588	MOTOR HYDRAULIC OMP 80 WITH NIPPLE 7/8 NIPPE 7/8	20
0511054496	TENSIONER SMALEER ASSY	21
0501053834	MALE QUICK COUPLING AGRICULTURAL WITH COVER - 1/2 NPT	22
0501050829	CHAIN TENSIONER	23
0521046046	FIXING STAND ASSY	24
0501051142	CARRYING WHEEL HUB	25
0503060181	WHEEL AND TIRE	26
0909094945	ASSY SLUICE VALVE	27
0501054847	SLUICE VALVE COVER ASSY	28
0501054846	SLUICE VALVE SUPPORT	29
0511059094	SHAFT BEARING THREADED	30
0501046997	CONTROLLER ASSY	31

FRAME ASSY



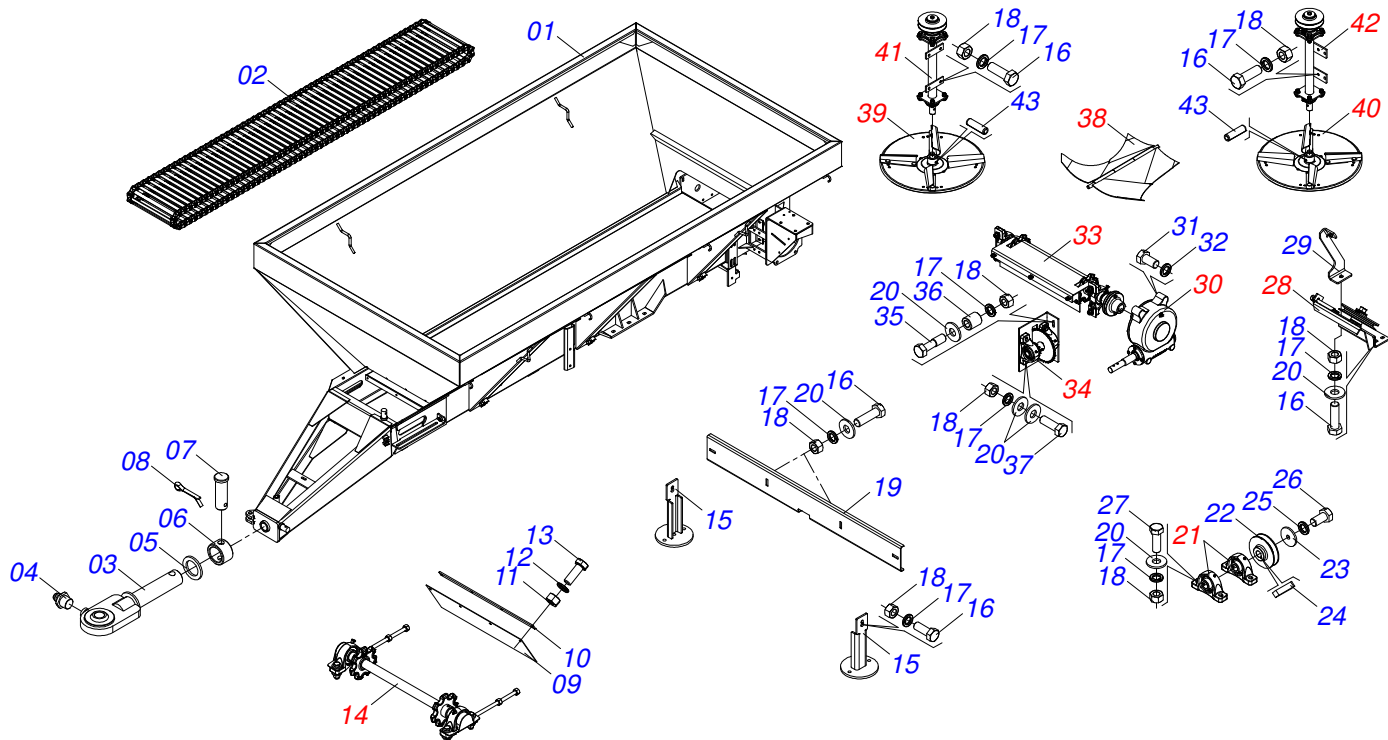
Item	Code	Description	QT
01	0521053878	FRAME WITH BUCKET SEMI MOUNTED HYDRAULIC DRIVE / SUPER REDUCTION	01
02	0581017493	FRONT PROTECTION	01
03	0503010849	3/8" X 1-1/2" BOLT	02
04	0501010984	FLAT WASHER	09
05	0503010025	3/8 SPRING WASHER	09
06	0503010026	3/8" NUT	07
07	0503013150	1300 X 3/8 CHAIN	01
08	0581011220	COUPLING SHAFT	01
09	0503010131	3/16" X 1-1/2" COTTERPIN	01
10	0501069080	COUPLING SHAFT	01
11	0503031035	HAIR PIN	01
12	0503062157	HEADER JACK	01
13	0521010549	COUPLING SHAFT	01
14	0503030168	HAIR PIN	01
15	0503060100	HAND BOOK COMPARTMENT	01
16	0503010178	5/16" X 7/8" BOLT	01
17	0503010179	SPRING WASHER	01
18	0503010337	5/16" NUT	01
19	0521053879	HYDRAULIC DRIVE ASSY WITH SUPERIOR REDUCTION	01
20	0521046046	FIXING STAND ASSY	01
21	0503060181	WHEEL AND TIRE	04
22	0503010899	5/8" X 2-1/4" BOLT	06
23	0501012140	FLAT WASHER	12
24	0503010027	SPRING WASHER	06
25	0503010013	5/8" NUT	06
26	0503012942	50-1 CHAIN X 46 LINK + REDUCTION	01
27	0581017497	COUPLING PROTECTION	01
28	0503010256	3/8" X 3/4" BOLT	02
29	0501019460	REAR PROTECTION	01
30	0503010237	3/8" X 1" BOLT	05



FRAME ASSY

0909094943

Item	Code	Description	QT
31	0909094945	ASSY SLUICE VALVE	01
32	0503030751	REGULATOR PLATE	01
33	0503012209	RIVET POP	04



Item	Code	Description	QT
01	0501069575	DCA2 7500 MC S-0598 BUCKET	01
02	0501067378	DRIVE THE FERTILIZER TRANSPORT	01
03	0521068793	TRACTOR TRACTOR	01
04	0503010002	1800 GREASE FITTING	01
05	0501015875	FLAT WASHER	01
06	0521010681	BUSHING COUPLING BODY	01
07	0521010639	COUPLING SHAFT	01
08	0503010571	1/4" X 1.1/2 COTTERPIN	01
09	0511011866	PROTECTION LARGER	01
10	0511016575	RUBBER COVER FIXER	01
11	0503010026	3/8" NUT	04
12	0503011443	SPRING WASHER	04
13	0503010237	3/8" X 1" BOLT	04
14	0909094948	MOVED AXLE ASSY	01
15	0521067015	SUPPORT PROTETION DISC	02
16	0503010920	1/2" X 1.1/2" BOLT	15
17	0503011440	SPRING WASHER	23
18	0503010060	1/2" NUT	23
19	0501019838	BAMPER	01
20	0511017302	FLAT WASHER	15
21	0511041213	AGRICULTURAL BEARING	02
22	0502011361	REEL 1C 5.5" X 1.1" PULLEY	01
23	0511014052	FLAT WASHER	01
24	0501010536	KEYWAY SQUARE	01
25	0503011446	SPRING WASHER	01
26	0503010355	7/16" X 1" BOLT	01
27	0503010740	1/2" X 2" BOLT	04
28	0501046802	BELT TENSIONER ASSY	01
29	0511060909	PROTECTION REAR SUPPORT FIXER	01
30	0501047985	REDUCER	01
31	0503011167	M16 X 2 X 30 BOLT	04

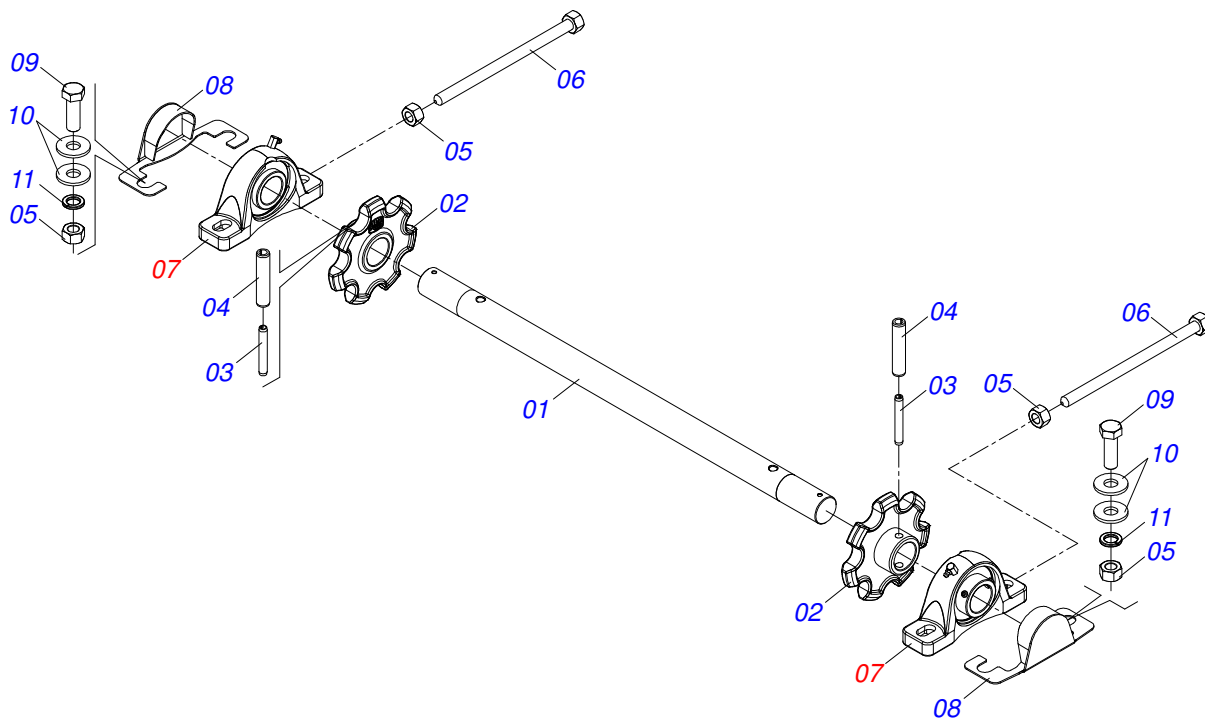


**DCA2 7500 MC WITH HYDRAULIC DRIVE / SUPER REDUCTION
FRAME WITH BUCKET SEMI MOUNTED HYDRAULIC DRIVE /**

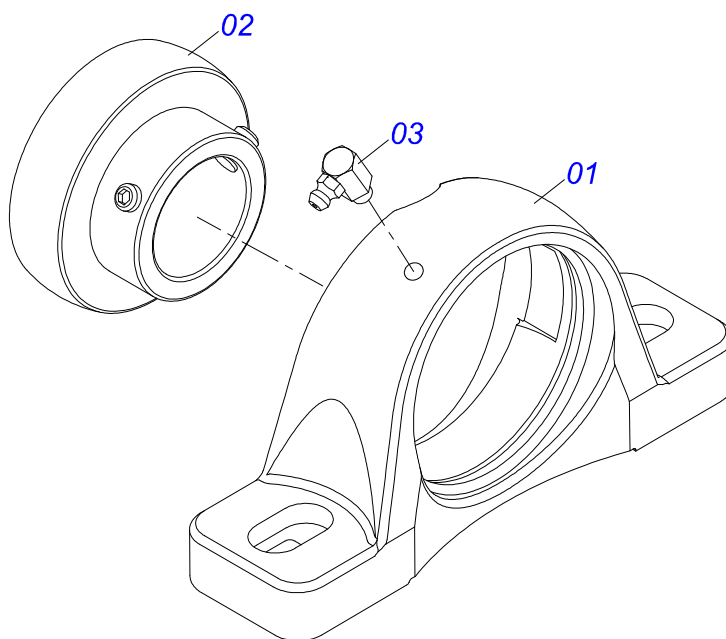
Page 2

0521053878

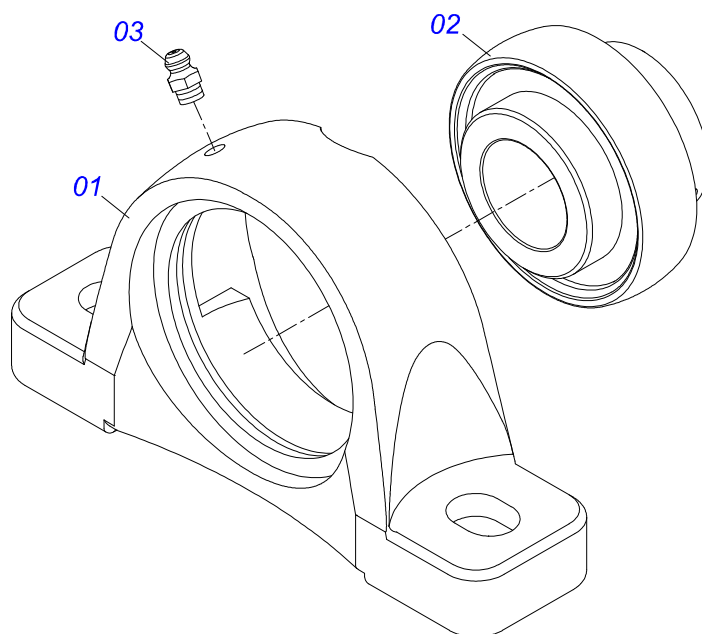
Item	Code	Description	QT
32	0503011445	SPRING WASHER	04
33	0909094949	ENGINE AXLE ASSY	01
34	0521053162	SUPER REDUCTION ASSY	01
35	0503011172	1/2" X 2-1/2" BOLT	02
36	0571015140	GLOVE Ø25 X Ø13,20 X 28	02
37	0503010905	1/2" X 2-1/4" BOLT	02
38	0909094950	FLUX DIVIDER ASSY	01
39	0501051972	DISTRIBUTOR RIGHT DISC ASSY	01
40	0501051973	DISTRIBUTOR LEFT DISC ASSY	01
41	0501051782	RIGHT BEARING SUPPORT DISC	01
42	0501051783	LEFT BEARING SUPPORT DISC	01
43	0503010361	SPRING PIN	02



Item	Code	Description	QT
01	0511016482	DRIVEN AXLE	01
02	0502040728	7Z GEAR	02
03	0503010756	0.2" X 2.4" SPRING PIN	02
04	0503010361	SPRING PIN	02
05	0503810013	NUT 5/8 NC	06
06	0501067853	ROD STABILIZER	02
07	0501044308	AGRICULTURAL BEARING ASSY	02
08	0521068822	BEARING PROTECTION	02
09	0503810233	5/8" X 2-1/2" BOLT	04
10	0501812140	FLAT WASHER	08
11	0503011445	SPRING WASHER	04

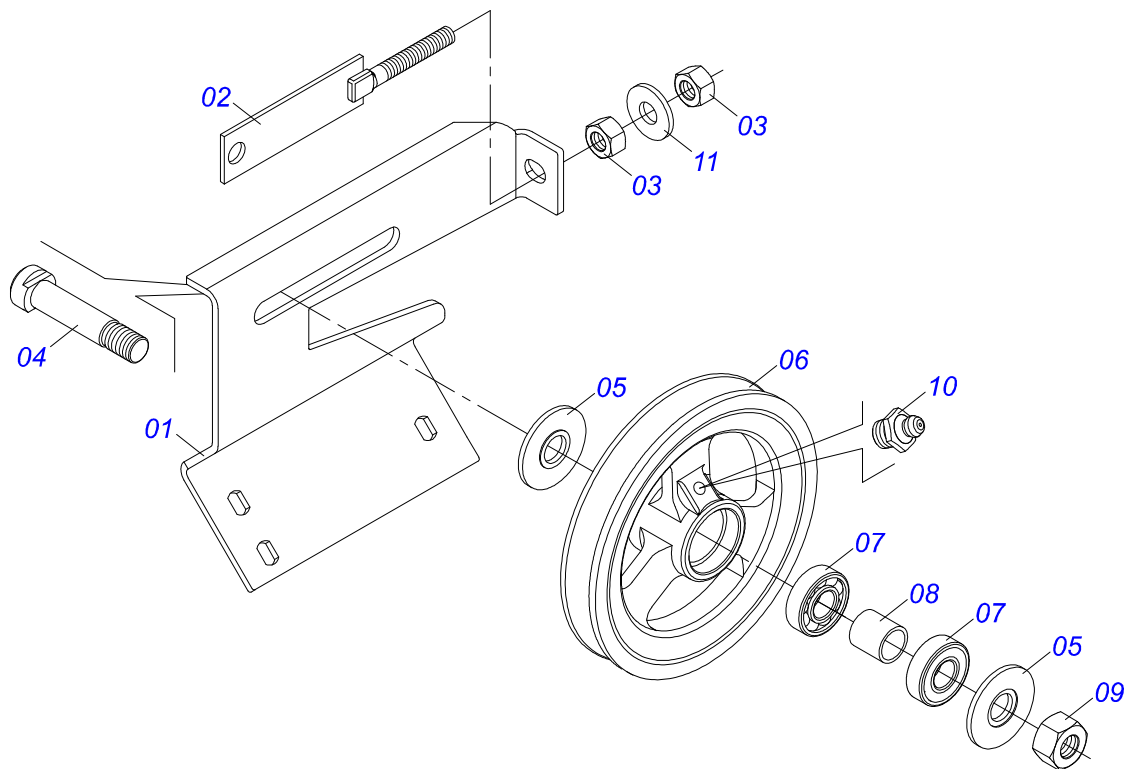


Item	Code	Description	QT
01	0502011050	AGRICULTURAL HOUSING BEARING	01
02	0503011163	1108/UCR BEARING ASSY	01
03	0503010004	1890 GREASE FITTING	01

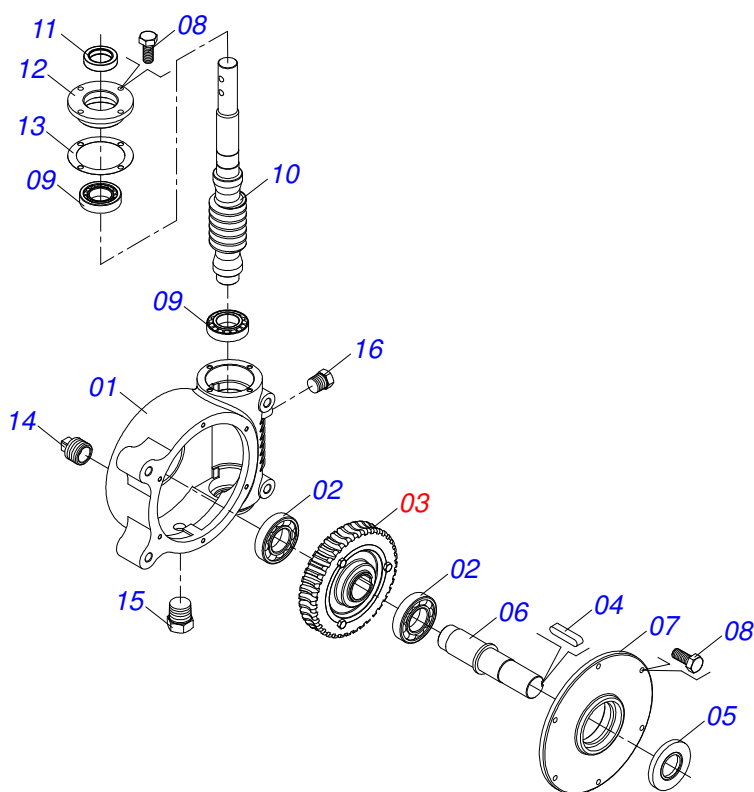


Item	Code	Description	QT
01	0502011954	AGRICULTURAL HOUSING BEARING	01
02	0503011884	BALL BEARING	01
03	0503010691	1/4" GREASE FITTING	01

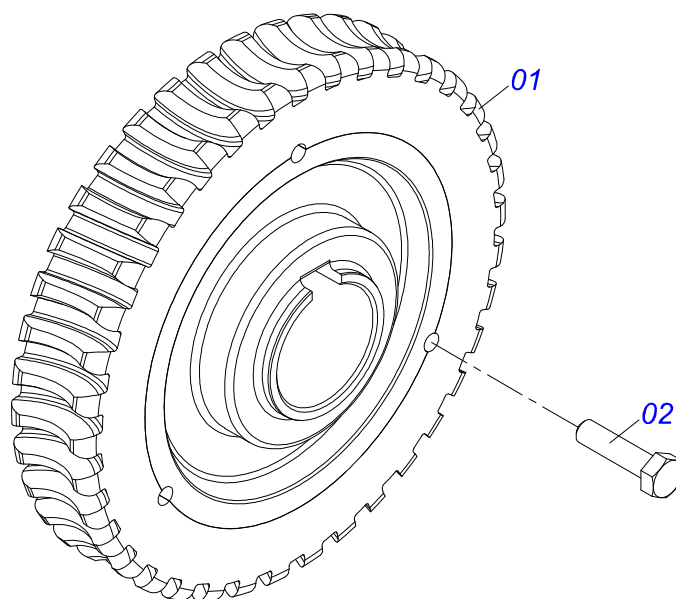
BELT TENSIONER ASSY



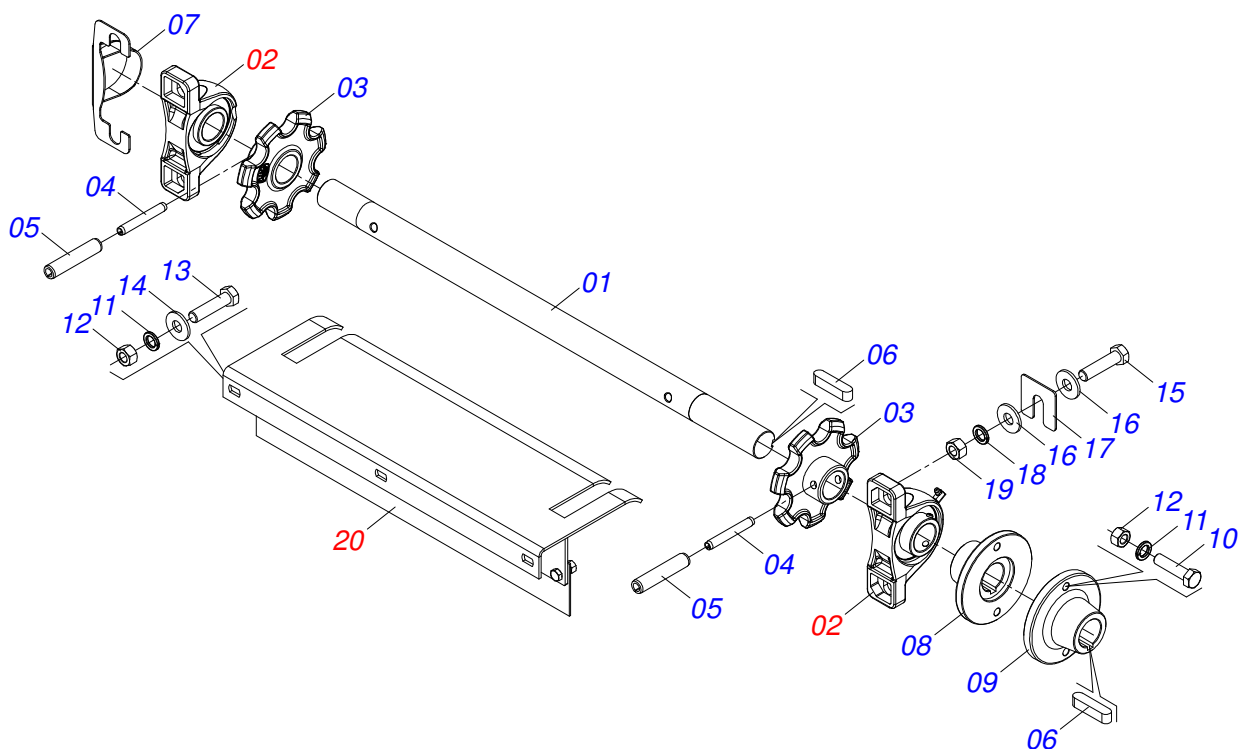
Item	Code	Description	QT
01	0501066100	SUPPORT	01
02	0501065968	1C X 8.3 PULLEY TENSIONER	01
03	0503010013	5/8" NUT	02
04	0511012362	TIGHTENER AXLE PULLEY	01
05	0501019288	WASHER SPACER	02
06	0502011366	REEL 1C 8.3" X 1.6" PULLEY	01
07	0503010690	6204 BALL BEARING	02
08	0521010497	0.8" X 1.1" X 1.1" SPACER	01
09	0503010014	3/4" NUT	01
10	0503010002	1800 GREASE FITTING	01
11	0501012140	FLAT WASHER	01



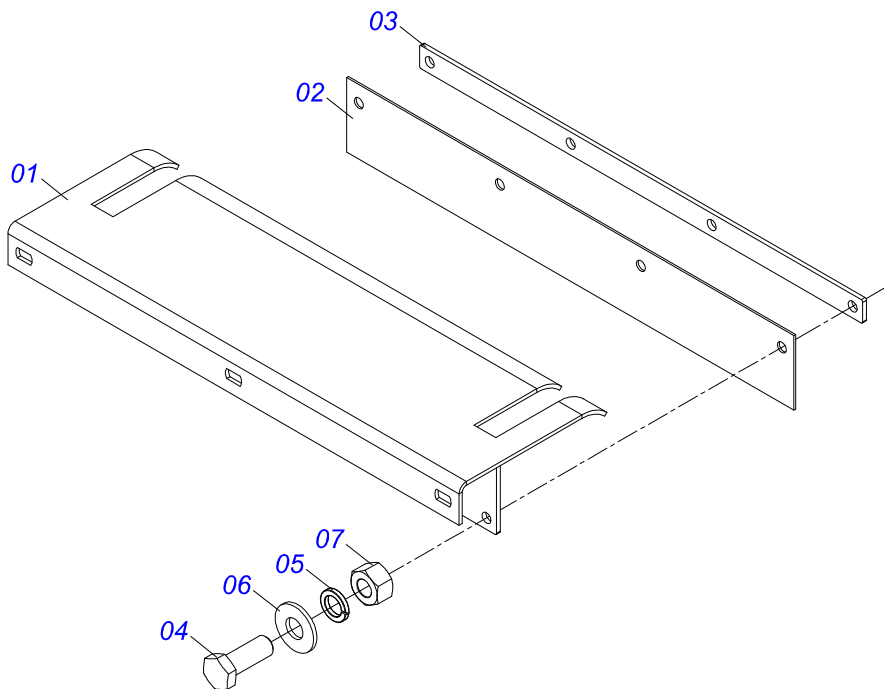
Item	Code	Description	QT
01	0502011456	REDUCTION BOX	01
02	0503011095	6208 BALL BEARING	02
03	0501051774	38Z CONICAL	01
04	0503011304	1/2" X 2.4" KEYWAY SQUARE	01
05	0503010818	02675-BRG SEAL	01
06	0521010996	AXLE	01
07	0502020556	LARGER COVER	01
08	0503010240	5/16" X 3/4" BOLT	10
09	0503010016	BEARING LM	02
10	0521010997	SCREW THEAD	01
11	0503011171	00912-BRG SEAL	01
12	0502011457	SMALLER COVER	01
13	0503030981	102 X 75,5 X 0,10 JOINT	01
14	0521011023	PLUG	01
15	0503031604	1/2" BSP PLUG	01
16	0503010856	OIL PLUG	01



Item	Code	Description	QT
001	0501110280	38Z CONICAL	01
002	0503010365	NUT	03

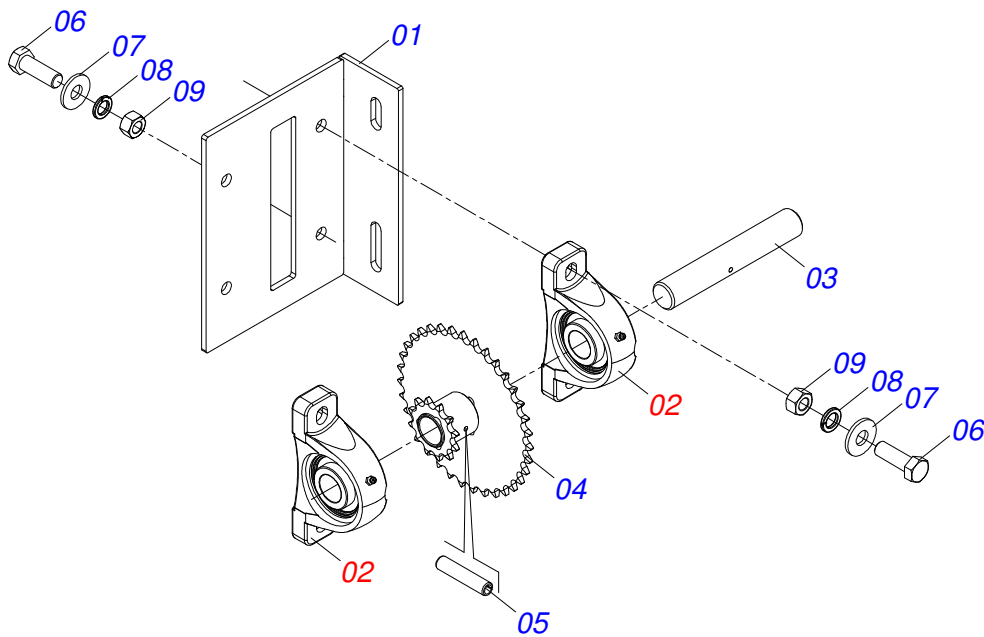


Item	Code	Description	QT
01	0511016481	MOTOR SHAFT	01
02	0501044308	AGRICULTURAL BEARING ASSY	02
03	0502040728	7Z GEAR	02
04	0503010756	0.2" X 2.4" SPRING PIN	02
05	0503010361	SPRING PIN	02
06	0501010540	KEYWAY SQUARE	02
07	0521068822	BEARING PROTECTION	01
08	0511016540	MAT COUPLING FLANGE	01
09	0511016541	REDUCTION COUPLING FLANGE	01
10	0503810849	3/8 UNC X 1.1/2 C S G.5 SA BOLT	02
11	0503810026	3/8" NUT	05
12	0503011443	SPRING WASHER	05
13	0503810237	3/8 UNC X 1 C S G.5 SA BOLT	03
14	0501810984	FLAT WASHER	03
15	0503810740	1/2 UNC X 2 C S G.5 SCREW	04
16	0511817302	FLAT WASHER	08
17	0501010794	HIDR CHOCK REGULATOR	04
18	0503011440	SPRING WASHER	04
19	0503810060	NUT 1/2 NC S SA	04
20	0511059305	REAR PROTECTION WITH MINOR PROTECTOR	01

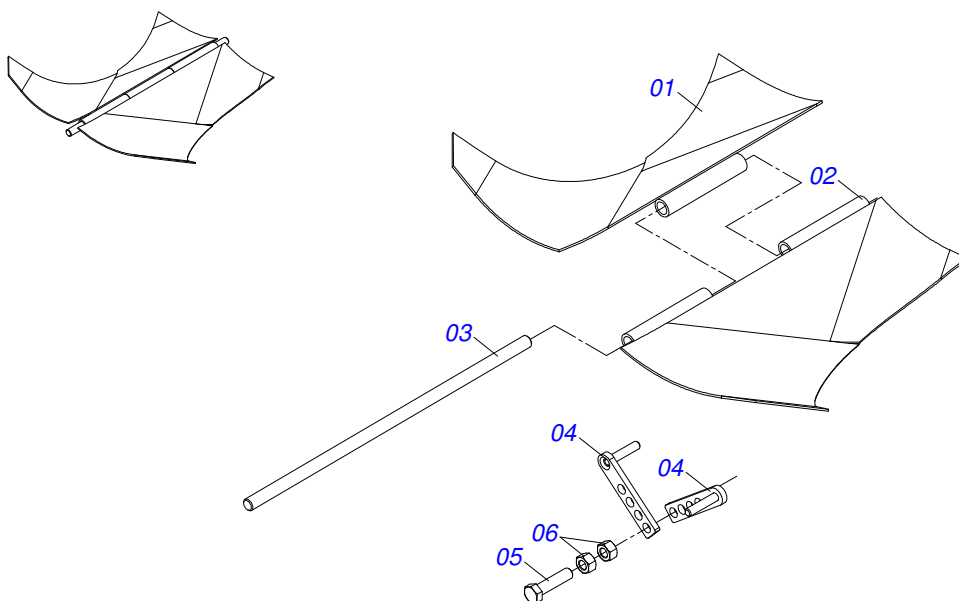


Item	Code	Description	QT
01	0501067379	MAT REAR PROTECTION	01
02	0511014562	PROTECTION SMALLER	01
03	0511016575	RUBBER COVER FIXER	01
04	0503010237	3/8" X 1" BOLT	04
05	0503011443	SPRING WASHER	04
06	0501010984	FLAT WASHER	04
07	0503010026	3/8" NUT	04

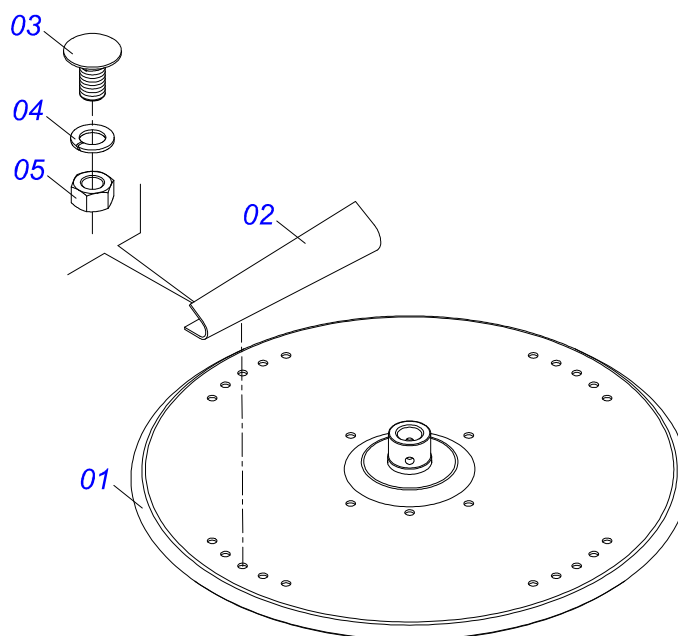
SUPER REDUCTION ASSY



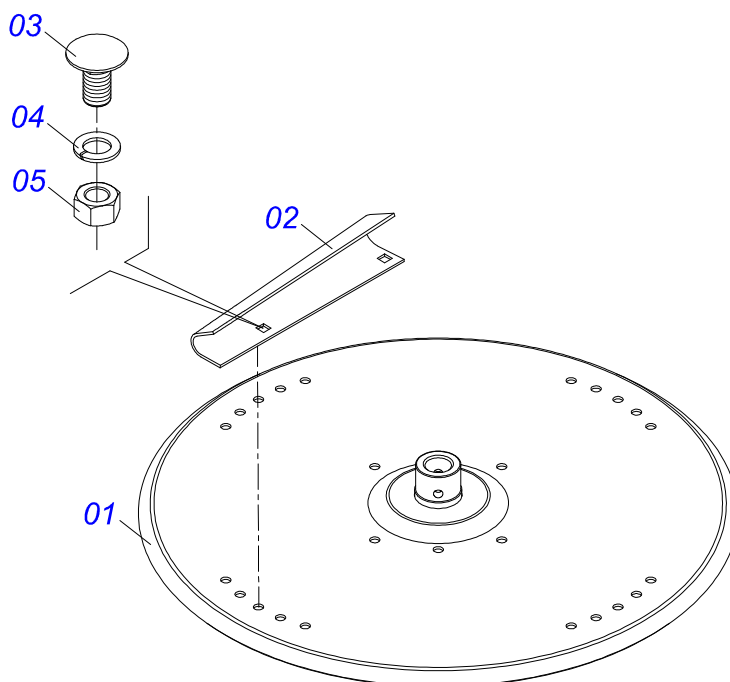
Item	Code	Description	QT
01	0521068826	SUPER REDUCTION SUPPORT	01
02	0511041213	AGRICULTURAL BEARING	02
03	0531010272	REDUCTION AXLE SUPER	01
04	0511062364	REDUCTION GEAR SUPER	01
05	0503011855	0.2" X 1.8" SPRING PIN	01
06	0503011082	C1/2" X 1.3/4" BOLT	02
07	0511017302	FLAT WASHER	02
08	0503011440	SPRING WASHER	02
09	0503010060	1/2" NUT	02



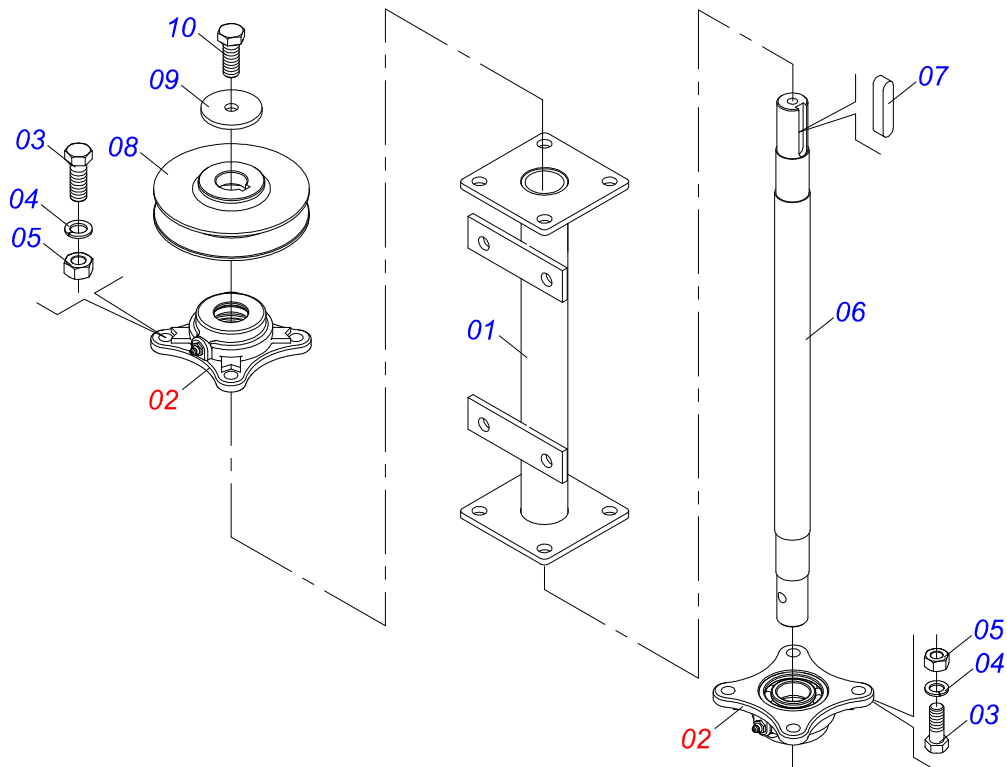
Item	Code	Description	QT
01	0501067203	RIGHT FLOW DIVIDING	01
02	0501067361	LEFT FLOW DIVIDING	01
03	0511016530	TENSIONER OPEN	01
04	0501067368	DIVISOR REGULATOR OPEN	02
05	0503810849	3/8 UNC X 1.1/2 C S G.5 SA BOLT	01
06	0503810026	3/8" NUT	02



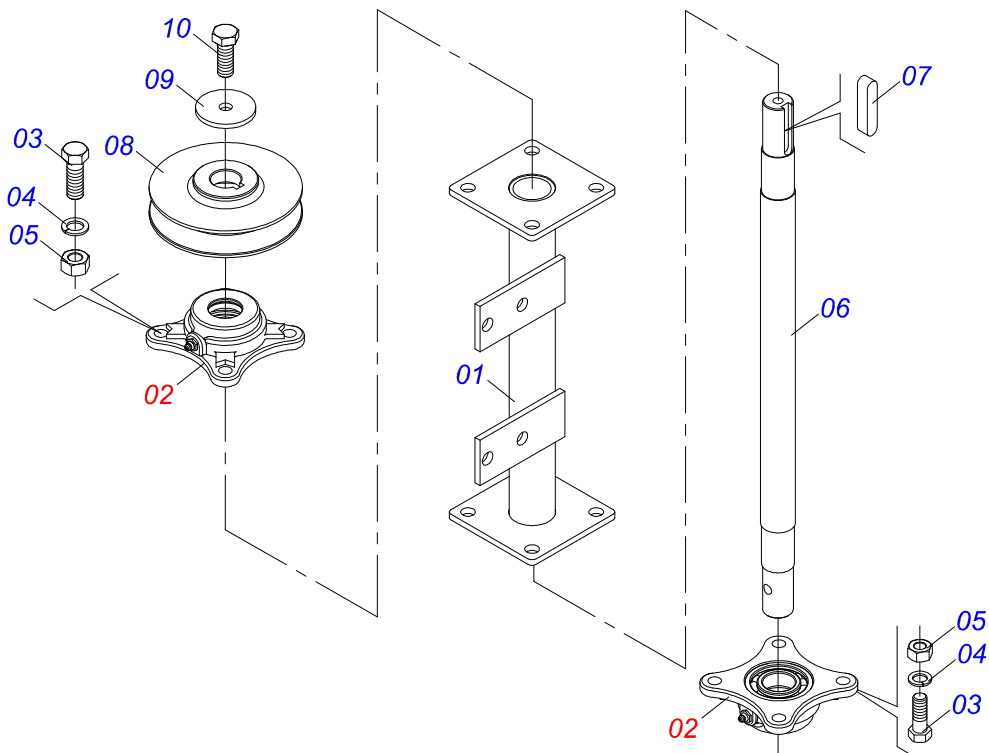
Item	Code	Description	QT
01	0501069605	DISTRIBUTOR DISC	01
02	0521018637	RH FLIP	04
03	0503013029	3/8" X 3/4" BOLT	08
04	0503011443	SPRING WASHER	08
05	0503010026	3/8" NUT	08



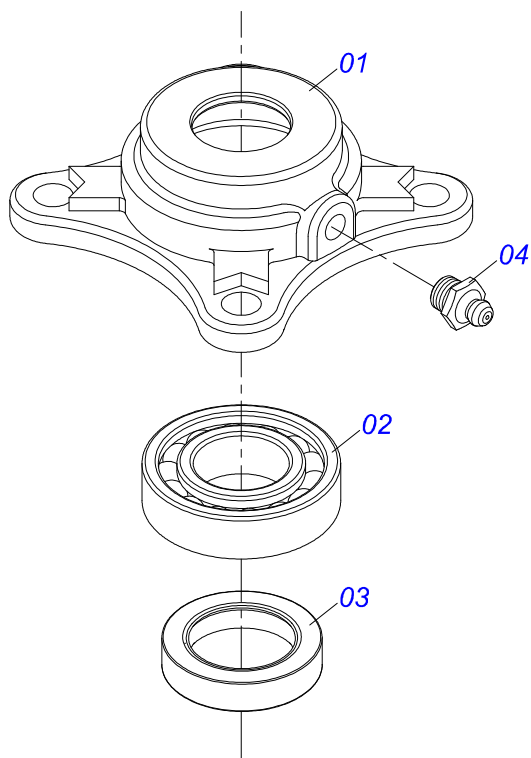
Item	Code	Description	QT
01	0501069605	DISTRIBUTOR DISC	01
02	0521018638	LH FLIP	04
03	0503013029	3/8" X 3/4" BOLT	08
04	0503011443	SPRING WASHER	08
05	0503010026	3/8" NUT	08



Item	Code	Description	QT
01	0501067387	DISTRIBUTOR RIGHT SUPPORT DISC	01
02	0501048000	AGRICULTURAL BEARING	02
03	0503011102	PARAFUSO 7/16 UNC X 1.1/4 C S G.5	08
04	0503011446	SPRING WASHER	08
05	0503010244	7/16" NUT	08
06	0511016489	DISTRIBUTOR AXLE CONDUCTOR DISC	01
07	0501010536	KEYWAY SQUARE	01
08	0502011361	REEL 1C 5.5" X 1.1" PULLEY	01
09	0511014052	FLAT WASHER	01
10	0503010355	7/16" X 1" BOLT	01



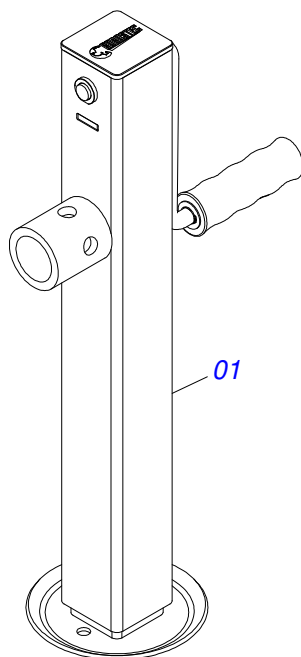
Item	Code	Description	QT
01	0501067388	DISTRIBUTOR LEFT SUPPORT DISC	01
02	0501048000	AGRICULTURAL BEARING	02
03	0503011102	PARAFUSO 7/16 UNC X 1.1/4 C S G.5	08
04	0503011446	SPRING WASHER	08
05	0503010244	7/16\" NUT	08
06	0511016489	DISTRIBUTOR AXLE CONDUCTOR DISC	01
07	0501010536	KEYWAY SQUARE	01
08	0502011361	REEL 1C 5.5\" X 1.1\" PULLEY	01
09	0511014052	FLAT WASHER	01
10	0503010355	7/16\" X 1\" BOLT	01



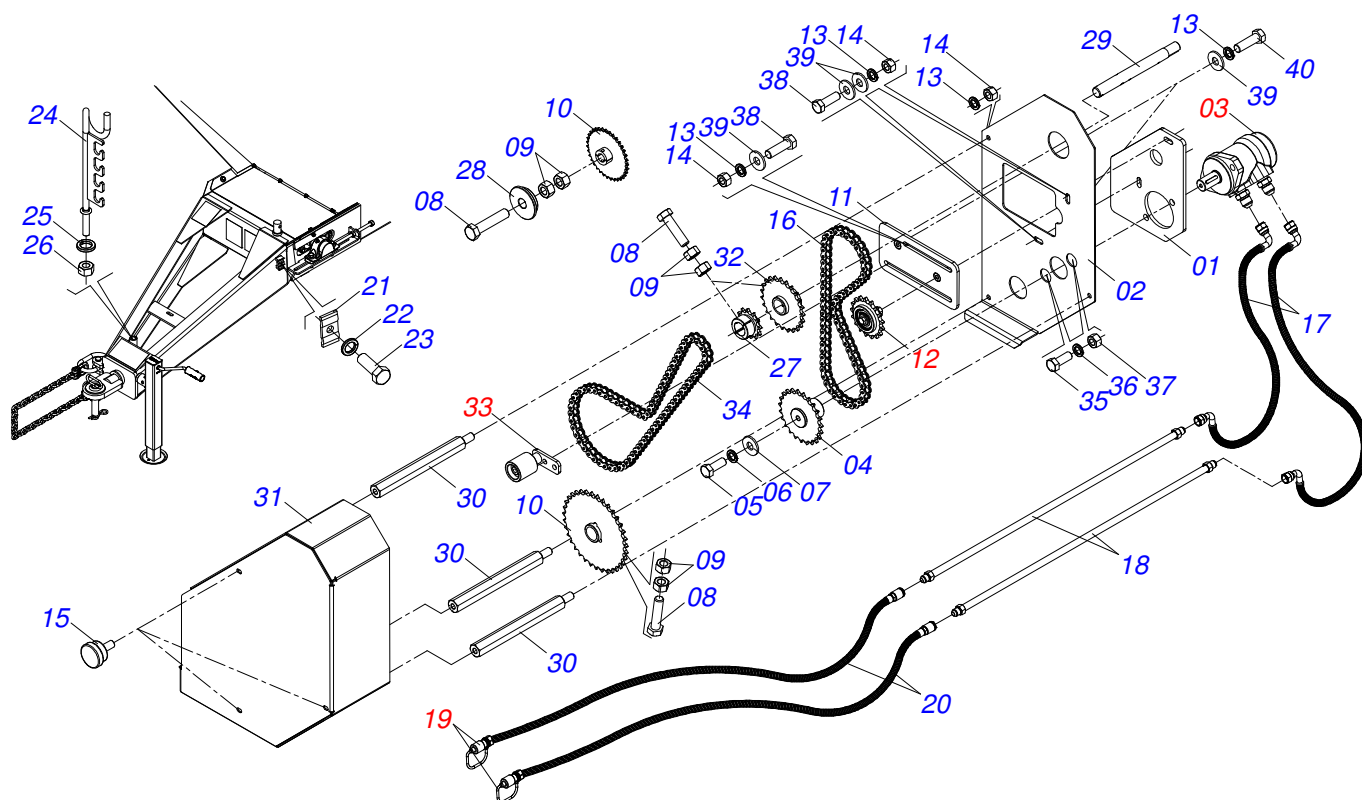
Item	Code	Description	QT
01	0502011442	AGRICULTURAL HOUSING BEARING	01
02	0503010276	6206 BALL BEARING	01
03	0503011865	SEAL	01
04	0503010002	1800 GREASE FITTING	01

HEADER JACK

0503062157



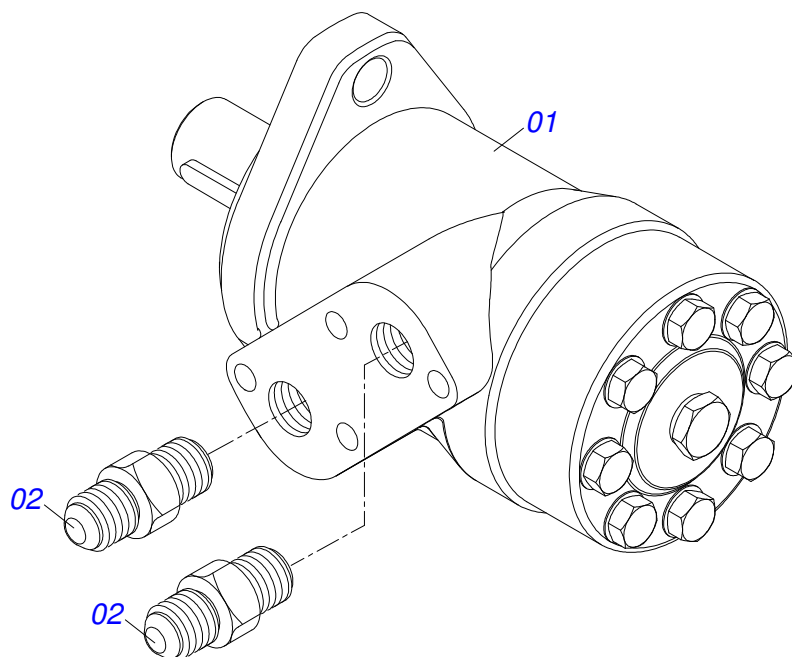
Item	Code	Description	QT
01	0503062157	HEADER JACK	01



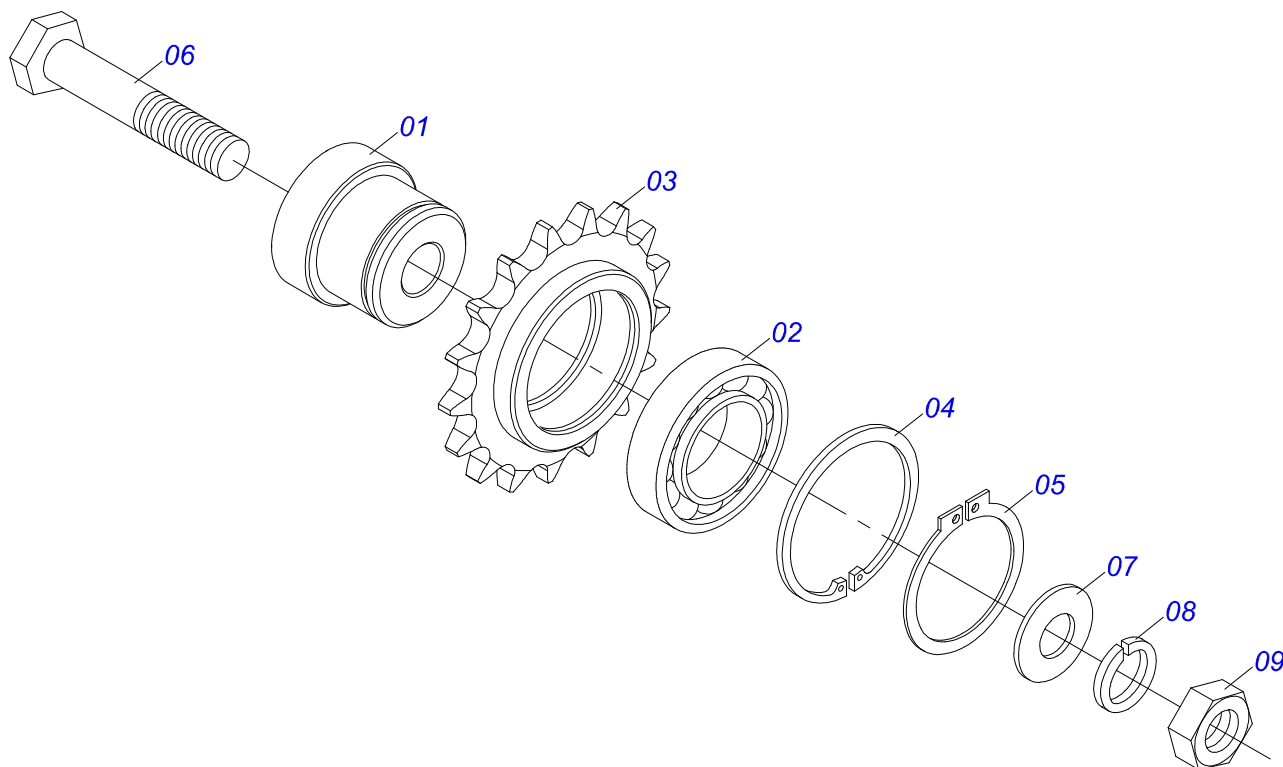
Item	Code	Description	QT
01	0571015182	HIDRAULIC MOTOR SUPPORT	01
02	0571015447	PROTETION REAR	01
03	0511053588	MOTOR HYDRAULIC OMP 80 WITH NIPPLE 7/8 NIPPE 7/8	01
04	0521064566	GEAR HIDRAULIC MOTOR	01
05	0503011257	M 8 X 1,25 X 30 BOLT	01
06	0503010179	SPRING WASHER	01
07	0501010694	FLAT WASHER	01
08	0503011141	3/8" X 2-3/4" BOLT	04
09	0503010026	3/8" NUT	08
10	0501069020	35Z GEAR	02
11	0521064691	SUPPORT TENSIONER	01
12	0511054496	TENSIONER SMALEER ASSY	01
13	0503010025	3/8 SPRING WASHER	09
14	0503010026	3/8" NUT	07
15	0503010386	CABLE	03
16	0503013061	50-1 CHAIN X 64 LINK + REDUCTION	01
17	0501081512	TC-TC HOSE ASSY	02
18	0521066605	OIL TUBE	02
19	0501053834	MALE QUICK COUPLING AGRICULTURAL WITH COVER - 1/2 NPT	02
20	0501080246	TR-TM HOSE ASSY	02
21	0531011180	UPPER BODY CLIP	04
22	0503010180	7/16" SPRING WASHER	04
23	0503011102	PARAFUSO 7/16 UNC X 1.1/4 C S G.5	04
24	0501060409	HOSE SOPPORT ASSY	01
25	0503010023	SPRING WASHER	01
26	0503010014	3/4" NUT	01
27	0501069017	12Z GEAR	01
28	0581011125	LOCK WASHER	01
29	0571015448	DRIVE AXLE	01



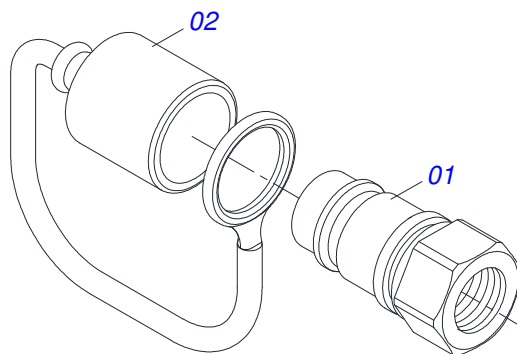
Item	Code	Description	QT
30	0581016503	PRISONER WITH SUPER REDUCTION 3/8UNCX5/16UNCX210	03
31	0581018274	COVER PROTECTIVE COVER WITH SUPERIOR REDUCTION HYDRAULIC DRIVE	01
32	0521063041	GEAR 23Z	01
33	0501050829	CHAIN TENSIONER	01
34	0503011351	50-1 CHAIN X 79 LINK + MENDING	01
35	0503010920	1/2" X 1.1/2" BOLT	02
36	0503010019	1/2" SPRING WASHER	02
37	0503010060	1/2" NUT	02
38	0503010849	3/8" X 1-1/2" BOLT	04
39	0501010984	FLAT WASHER	08
40	0503010751	C3/8" X 1.1/4" HEX BOLT G.5	02



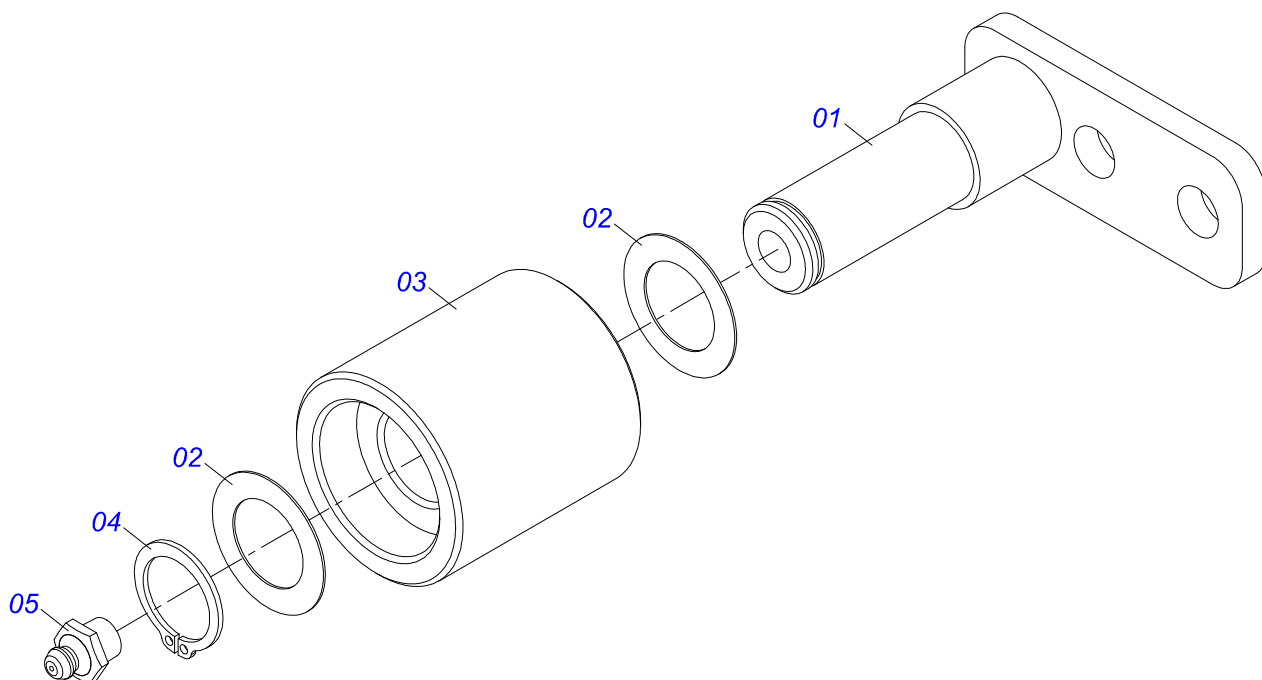
Item	Code	Description	QT
01	0503016055	MOTOR HYDRAULIC PARKER OMP 80 ISOBUS	01
02	0511014065	7/8" NF X R1/2NPT X 52 NIPPLE	02



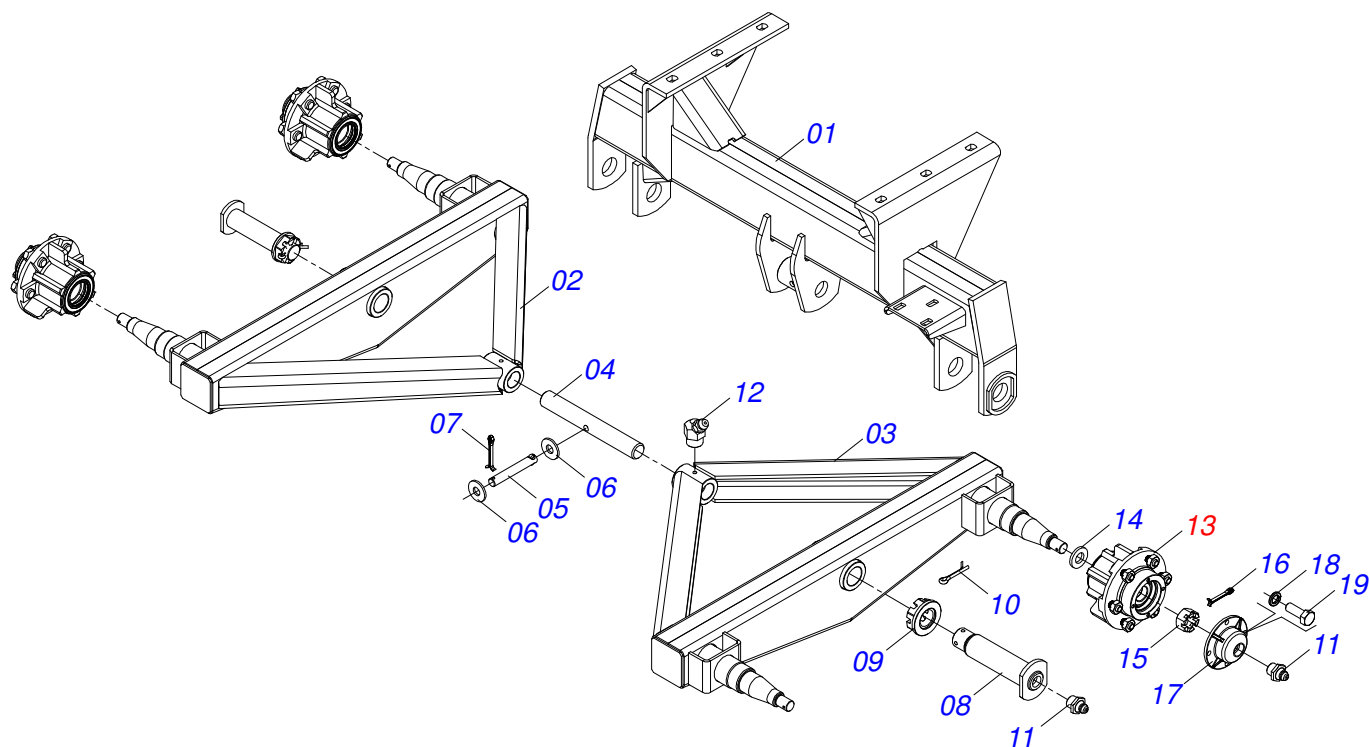
Item	Code	Description	QT
01	0571015185	AXLE TIGHTENER 26 DCA	01
02	0503011410	ROLLER BEARING	01
03	0511061836	17Z GEAR	01
04	0503011105	SEAL RING	01
05	0503010406	501025 CLAMPING RING (FOR AXLE)	01
06	0501010096	3/8" X 2" BOLT	01
07	0501010984	FLAT WASHER	01
08	0503010025	3/8 SPRING WASHER	01
09	0503010026	3/8" NUT	01



Item	Code	Description	QT
01	0503011627	QUICK CONNECTION (MALE) AGR 1/2 NPT	01
02	0503011882	QUICK CONNECTION COVER	01

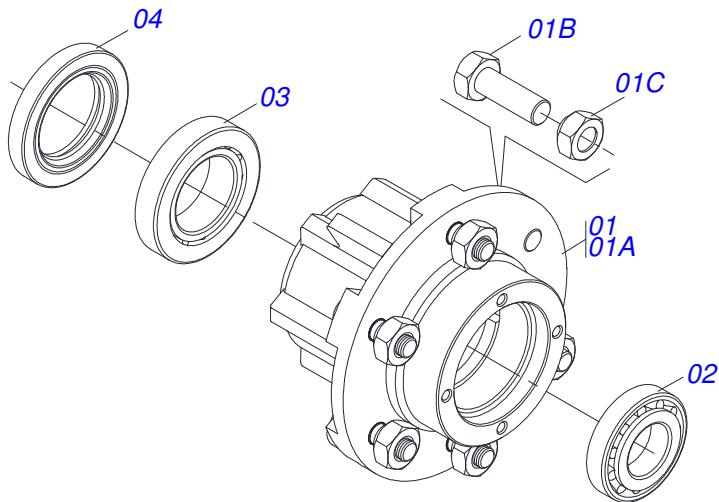


Item	Code	Description	QT
01	0501067692	BELT TENSIONER BODY	01
02	0511015098	FLAT WASHER	02
03	0511017041	TENSIONER ROLD	01
04	0503010302	501019 SEAL RING	01
05	0503010002	1800 GREASE FITTING	01

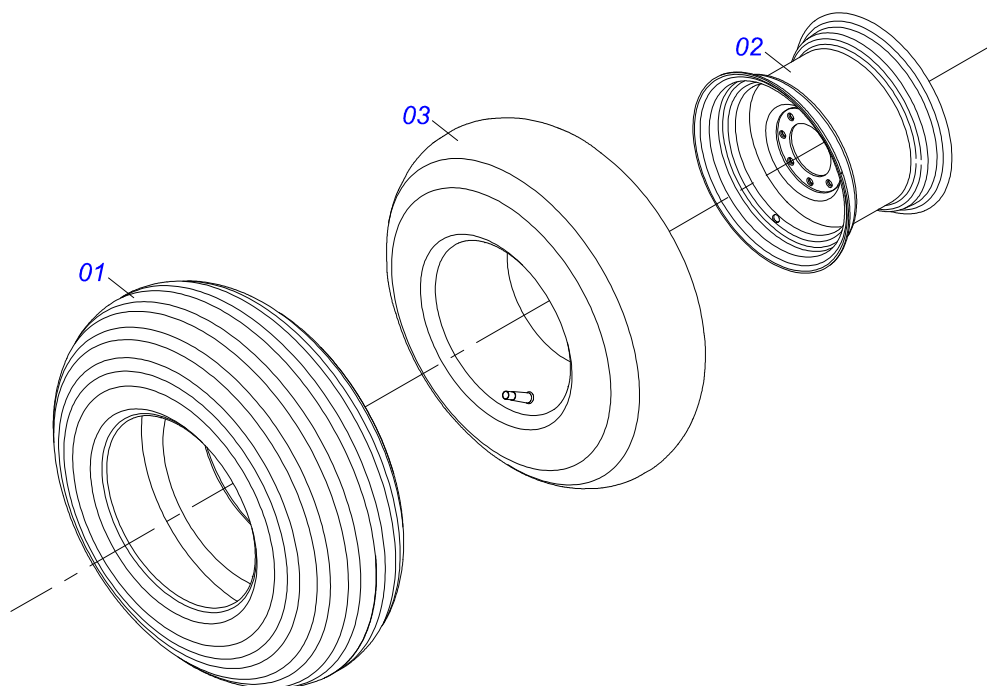


Item	Code	Description	QT
01	0521063773	BALANCING FIXATION SUPPORT	01
02	0501069577	RIGHT ROCKER ARM	01
03	0501069578	LEFT BELL CRANCK	01
04	0521012427	1.5" X 11.4" COUPLING SHAFT	01
05	0521010553	0.5" X 3" COUPLING SHAFT	01
06	0511017302	FLAT WASHER	02
07	0503010577	3/16" X 1-1/4" COTTERPIN	01
08	0521012431	1-1/2" 7.6 PIVOT SHAFT	02
09	0501011301	1.1/2 UNC 6FPP 2.5/16 NUT	02
10	0503010010	1/4" X 2.1/2" COTTERPIN	02
11	0503010002	1800 GREASE FITTING	06
12	0503010003	1845 GREASE FITTING	02
13	0501051142	CARRYING WHEEL HUB	04
14	0501016545	FLAT WASHER	04
15	0503030009	1" CASTLE NUT	04
16	0503010131	3/16" X 1-1/2" COTTERPIN	04
17	0502020591	PROTECCION COVER	04
18	0503011444	SPRING WASHER	16
19	0503010358	5/16" X 5/8" BOLT	16

CARRYING WHEEL HUB

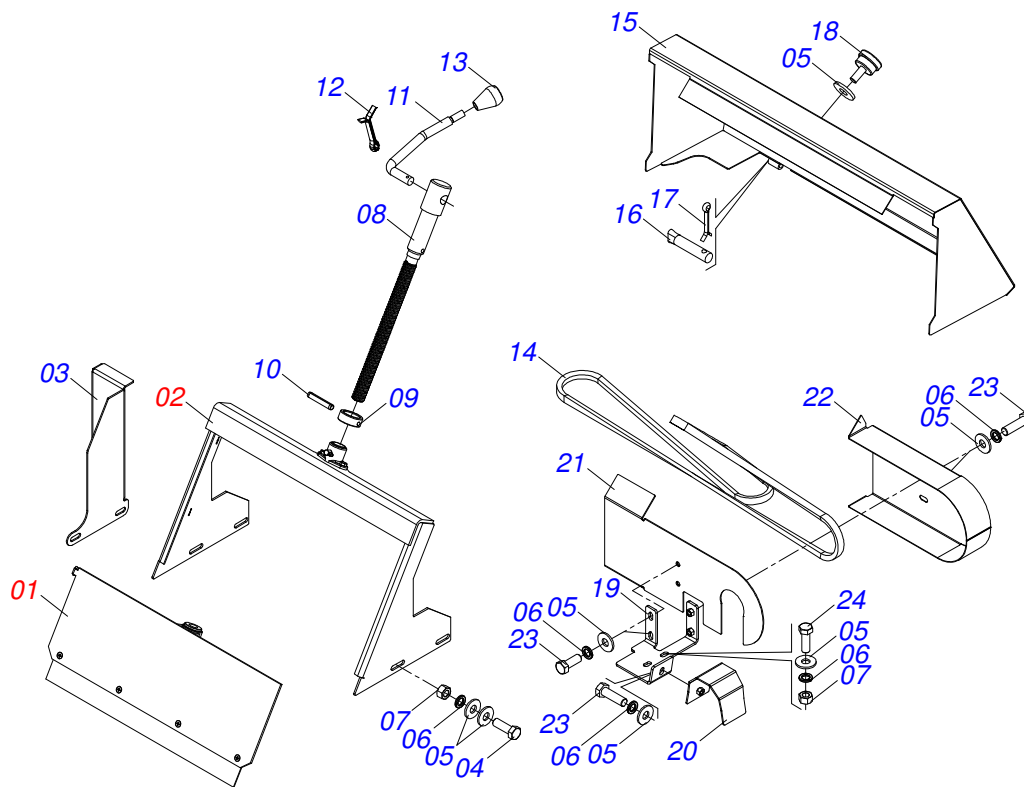


Item	Code	Description	QT
01	0501110728	WHEEL HUB	01
01A	0502011121	CARRYING WHEEL HUB	01
01B	0501010127	9/16" X 1-7/8" LUG BOLT	06
01C	0503010035	9/16" CONIC NUT	06
02	0503010037	30207 ROLLER BEARING	01
03	0503010006	32210 ROLLER BEARING	01
04	0503012928	SEAL	01



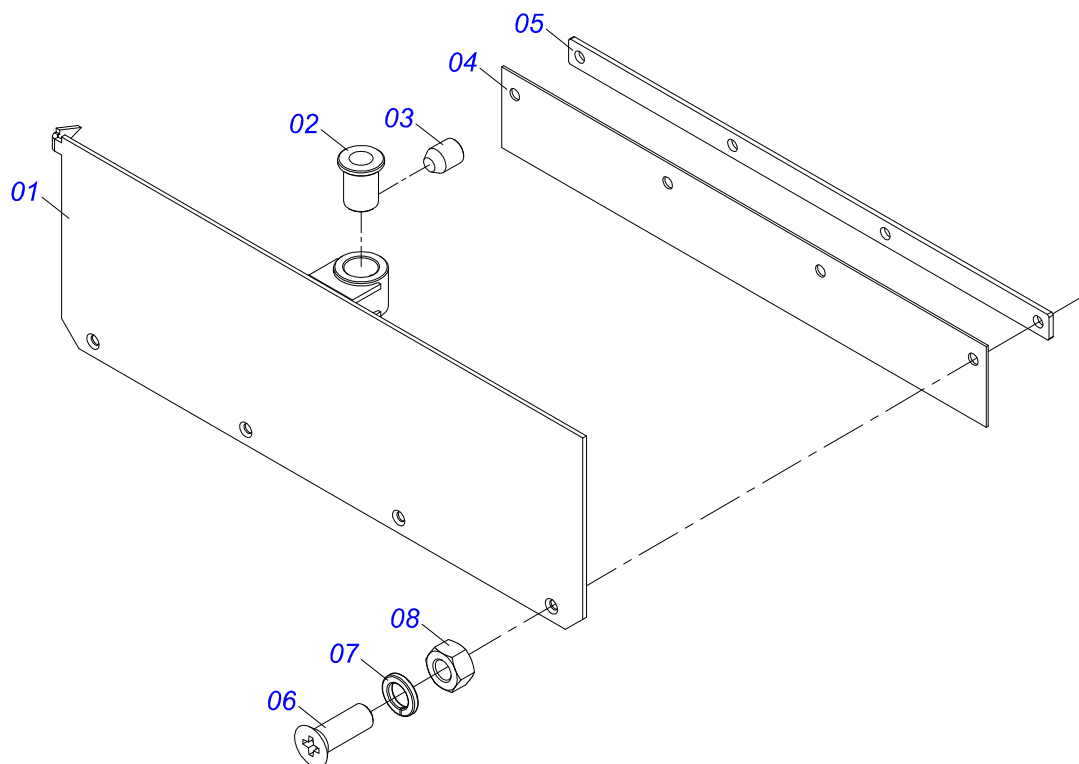
Item	Code	Description	QT
001	0503010858	CANVAS TIRE	01
002	0503011468	WEEL	01
003	0503010860	CAMARA AR 11L 15	01

ASSY SLUICE VALVE



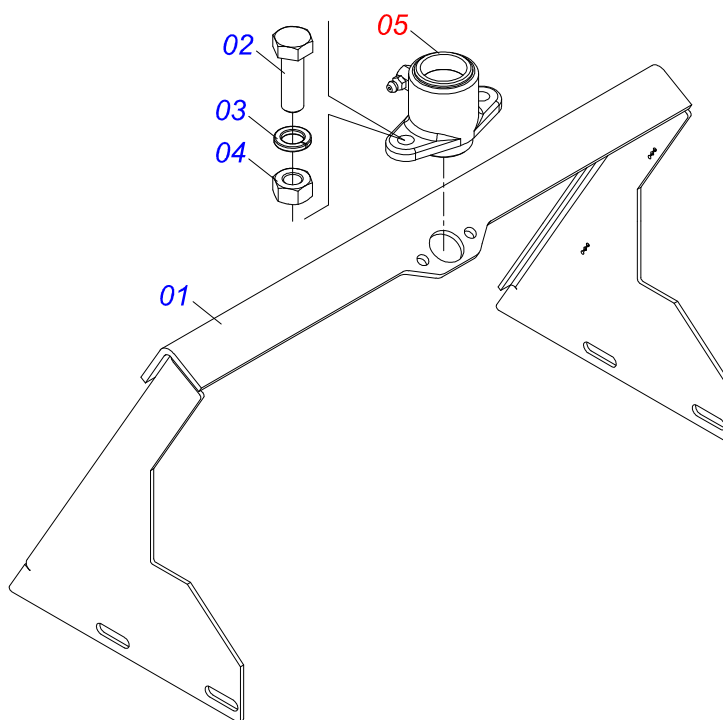
Item	Code	Description	QT
01	0501054847	SLUICE VALVE COVER ASSY	01
02	0501054846	SLUICE VALVE SUPPORT	01
03	0581017492	SIDE PROTECTION BELT	01
04	0503010849	3/8" X 1-1/2" BOLT	04
05	0501010984	FLAT WASHER	11
06	0503010025	3/8 SPRING WASHER	11
07	0503010026	3/8" NUT	06
08	0561014861	REGULATOR	01
09	0511013015	SLEEVE	01
10	0503010561	SPRING PIN	01
11	0521011107	CRANK BODY	01
12	0503010257	1/8" X 1" COTTERPIN	01
13	0503030878	LEVER CRANK	01
14	0503010154	C-128 BELT	01
15	0501069840	REAR COVER PROTECTION	01
16	0501017574	0.3" X 2.7" AXLE	02
17	0503010140	1/8" X 3/4" COTTERPIN	02
18	0503010386	CABLE	01
19	0521068821	SUPPORT BELT PROTECTION	01
20	0521068819	PULLEY AXLE PROTECTION	01
21	0521068820	REAR LATERAL PROTECTION BELT	01
22	0581017500	REAR LATERAL PROTECTION BELT	01
23	0503010237	3/8" X 1" BOLT	05
24	0503010751	C3/8" X 1.1/4" HEX BOLT G.5	02

SLUICE VALVE COVER ASSY

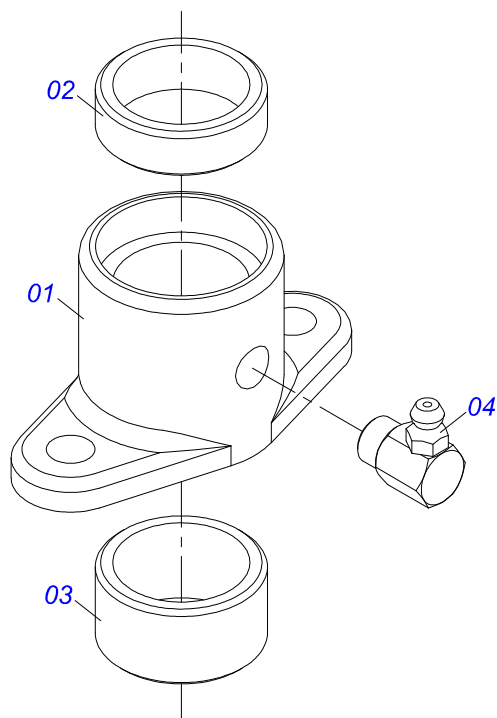


Item	Code	Description	QT
01	0501069181	SLUICE VALVE COVER	01
02	0501019831	ADJUSTING NUT	01
03	0503011148	3/8" X 1/2" BOLT	01
04	0511014562	PROTECTION SMALLER	01
05	0511016575	RUBBER COVER FIXER	01
06	0503010546	5/16" X 7/8" BOLT	04
07	0503011444	SPRING WASHER	04
08	0503010337	5/16" NUT	04

SLUICE VALVE SUPPORT



Item	Code	Description	QT
01	0501069841	SLUICE VALVE SUPPORT	01
02	0503010371	5/16" X 1" BOLT	02
03	0503011444	SPRING WASHER	02
04	0503010337	5/16" NUT	02
05	0511059094	SHAFT BEARING THREADED	01



Item	Code	Description	QT
01	0502010581	ROD BEARING	01
02	0521010458	SLEEVE	01
03	0521010457	SLEEVE	01
04	0503010004	1890 GREASE FITTING	01



MARCHESAN IMPLEMENTOS E MÁQUINAS AGRÍCOLAS TATU S.A.

AV. Marchesan, 1979 - Post office box, 131 - CEP 15994-900 - Matão - SP - Brazil

Phone +55 16.3382-8282

(FAX Parts) + 55 16.3382. 8297 - (Export) + 55 16.3382.1003

e.mail: tatu@marchesan.com.br www.marchesan.com.br

Technical Publications: Elaboration

ALESSANDRA PATRICIA KAWAHARA CARRILI

Technical Publications: Revision

JOSÉ DOMINGOS GASPARI

Contact Catálogo:

E-mail = jgaspari@marchesan.com.br

**ORIGINAL PARTS
TATU**

