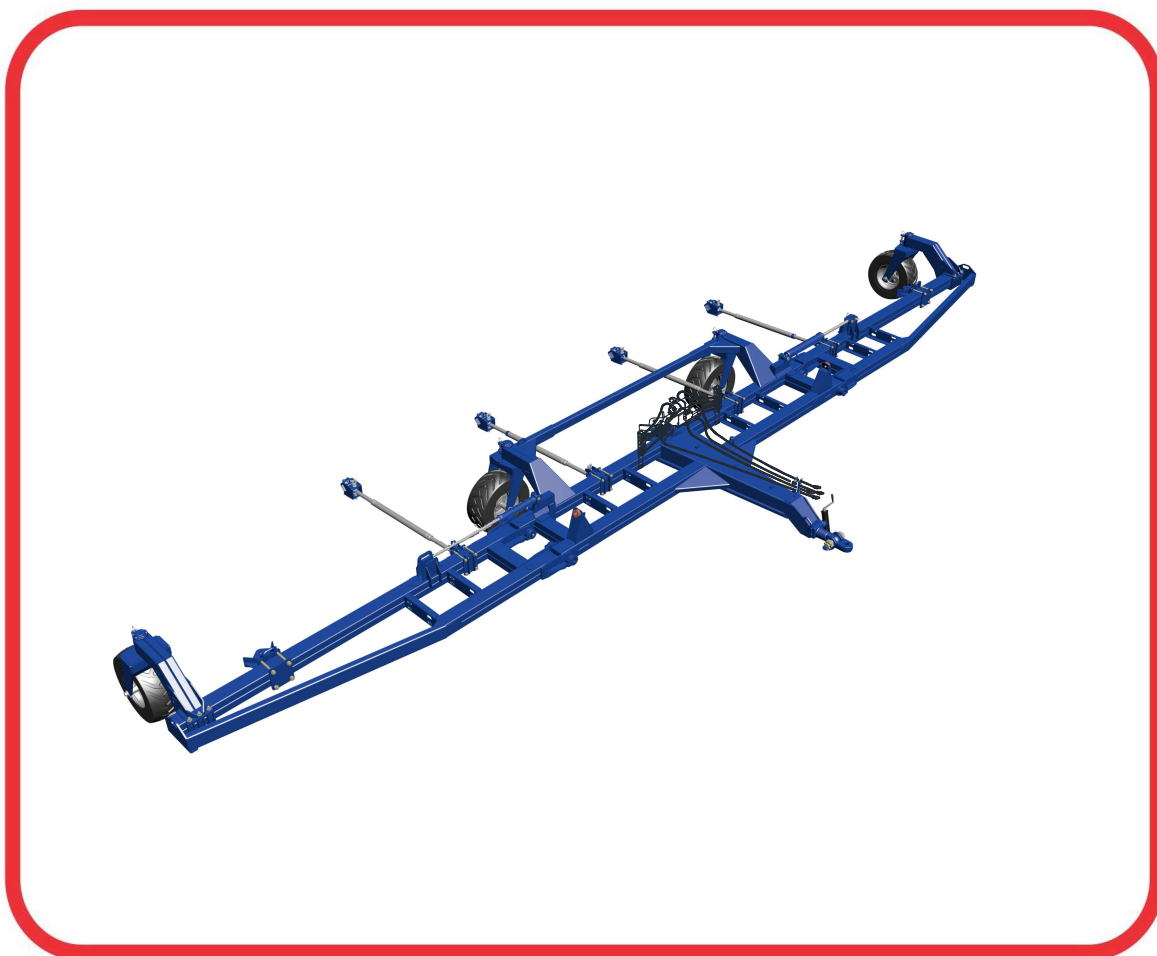


PARTS CATALOG

DOUBLE HEADING

DOUBLE HEAD WITH WHEEL ULTRA FLEX

Code: 0501092311



Series: S-0916

Rev.: 00

Date Rev.: AGOSTO/2018

**ORIGINAL PARTS
TATU**



PRODUCTS

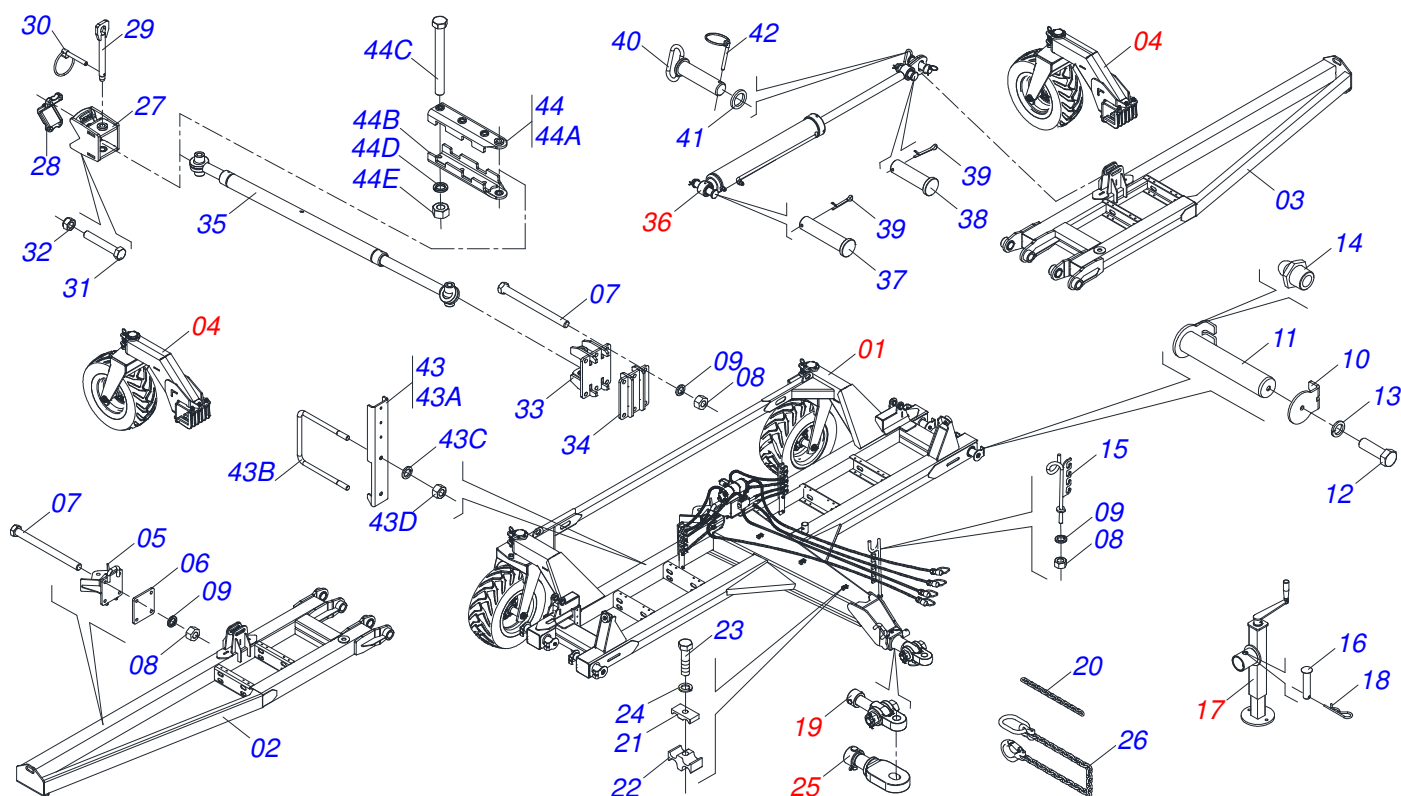
Code	Description
0521048290	CAB DUP T C/ROD 12E550 ESPECIAL S-0916
0521047532	CAB DUP T C/ROD MH ULTRA FLEX 10E500 S-0916
0521046903	CAB DUP T S/MH LH ULTRA FLEX 5745/11E550 S-0916
0521048277	CH C PST TRIO F 7450/15 DC20 CSU S-0518

ATTENTION: **IMPORTANT**

MARCHESAN S/A RESERVES THE RIGHT AT ANY TIME TO MAKE IMPROVEMENTS IN THE DESIGN, MATERIAL OR SPECIFICATIONS OF MACHINERY, EQUIPMENT OR PARTS WITHOUT THEREBY BECOMING LIABLE TO MAKE SIMILAR CHANGES IN MACHINERY, EQUIPMENT OR PARTS PREVIOUSLY SOLD.

INDEX

0909091706	TRIPE FRAME HEADER	1
0909093558	CENTRAL FRAME	2
0909093849	CENTRAL FRAME	3
0521051384	WHEELS ASSY	4
0521051385	STUB SHAFT HUB	5
0521051485	FLOW DIVIDING VALVE ASSY	6
0501053835	FEMALE QUICK COUPLER	7
0909093850	HOSE KIT	8
0909093857	HOSE KIT	9
0521051386	44,45 X 101,60 HIDRAULIC CYLINDER	10
0501054694	FLOW DIVIDING VALVE ASSY	11
0521053256	WHEEL	12
0501054862	LOCK PIN	13
0511048088	DRAWBAR JACK	14

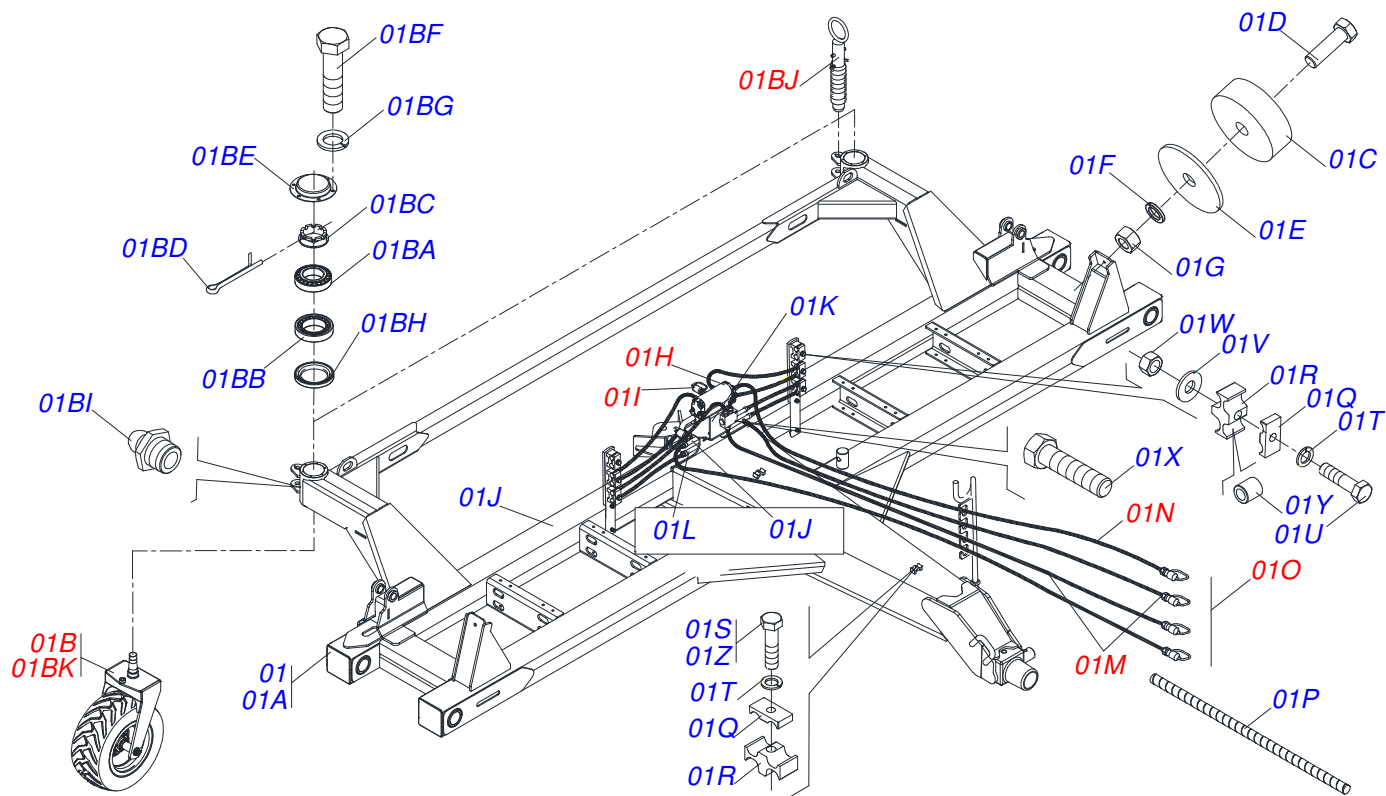


Item	Code	Description	11 11SEM
01	0521053301	CENTRAL CHASSIS	01 00
01.	0521053322	FRAME ASSY	00 01
02	0521068893	RIGHT FRAME	01 00
02.	0521068937	RIGHT FRAME	00 01
03	0521068905	LEFT FRAME	01 00
03.	0521068938	LEFT FRAME	00 01
04	0521053256	WHEEL	02 00
04.	0521051383	WHEEL MOBILE	00 02
05	0521067978	HITCH SUPPORT	02 02
06	0581014807	SUPPORT FIXER PLATE	02 02
07	0501010066	3/4" X 9" BOLT	16 16
08	0503010014	3/4" NUT	17 17
09	0503010023	SPRING WASHER	17 17
10	0581014755	FINISH HOLE	04 04
11	0521067976	PIVOT SHAFT	04 04
12	0503011243	5/8" X 2" BOLT	04 04
13	0503010027	SPRING WASHER	04 04
14	0503010002	1800 GREASE FITTING	04 04
15	0521067977	HOSE HOLDER	01 01
16	0561014251	COUPLING SHAFT	01 01
17	0511048088	DRAWBAR JACK	01 01
18	0503030168	HAIR PIN	01 01
19	0521051482	TRIPE DRAWBAR HITCH	01 01
20	0503014120	CHAIN	04 04
21	0502010477	UPPER CLIP	04 04
22	0502012702	BODY SUPPORT CLAMP	02 02
23	0503010851	7/16" X 3.1/2" BOLT	04 04
24	0503010180	7/16" SPRING WASHER	04 04
25	0501051160	TRACTOR HITCH PIN	03 03
26	0503013150	1300 X 3/8 CHAIN	03 03
27	0521067985	EXTENDING FIXER	04 04
28	0502012789	FIXER SUPPORT FERTILIZER ROW	04 04
29	0521065089	LOCK AXLE	08 08



DOUBLE HEAD WITH WHEEL ULTRA FLEX
TRIPE FRAME HEADER

Item	Code	Description	11 11SEM
30	0503030085	LOCK PIN	08 08
31	0501011027	5/8" X 3-3/4" BOLT	16 16
32	0503013389	ADJUSTING NUT	16 16
33	0521065867	SUPPORT	04 04
34	0521065868	SUPPORT	04 04
35	0511057134	2" X 1140 TURNBUCKLE	04 04
36	0521051386	44,45 X 101,60 HIDRAULIC CYLINDER	02 02
37	0581014746	COUPLING SHAFT	02 02
38	0581014745	COUPLING SHAFT	02 02
39	0503012231	1/4" X 3" COTTERPIN	04 04
40	0521065165	LOCK AXLE	02 02
41	0501010679	FLAT WASHER	04 04
42	0503030119	LOCK PIN	04 04
43	0521051487	FIXER HYDRAULIC HOSE	03 03
43A	0581014760	FIXER BODY	01 01
43B	0551015037	5/8" UNC X 210 X 198 FASTENER	01 01
43C	0503010027	SPRING WASHER	02 02
43D	0503010013	5/8" NUT	02 02
44	0521053305	LOWER FIXER	00 04
44A	0521068935	LOCK SMALLER	00 04
44B	0521068936	LOCK SMALLER	00 04
44C	0501010164	3/4 X 7 BOLT	00 16
44D	0503010023	SPRING WASHER	00 16
44E	0503010014	3/4" NUT	00 16



Item	Code	Description	QT
01	0521053301	CENTRAL CHASSIS	01
01A	0521068906	CENTRAL FRAME	01
01B	0521051483	WHEEL MOBILE	02
01BA	0503010059	33287/33462 ROLLER BEARING	01
01BB	0503010007	3982/3920 ROLLER BEARING	01
01BC	0502040080	2.1/2" UM FLANGE NUT	01
01BD	0503011345	1/4" X 3-1/2" COTTERPIN	01
01BE	0541013225	WHEEL BOX COVER	01
01BF	0503010295	5/16" X 5/8" BOLT	06
01BG	0503011444	SPRING WASHER	06
01BH	0503013106	SEAL 00085-B	01
01BI	0503010002	1800 GREASE FITTING	01
01BJ	0501054862	LOCK PIN	01
01BK	0521051384	WHEELS ASSY	01
01C	0521011481	BEATER FRAME	02
01D	0501010100	5/8 UNC X 2 C S G.5 BOLT	02
01E	0571013284	FLAT WASHER	02
01F	0503010027	SPRING WASHER	02
01G	0503010013	5/8" NUT	02
01H	0521051485	FLOW DIVIDING VALVE ASSY	01
01I	0501053835	FEMALE QUICK COUPLER	01
01J	0521067971	OIL CONDUCTOR	01
01K	0581014761	VALV. SUPPORT	01
01L	0521067972	OIL CONDUCTOR	02
01M	0521053302	HOSE KIT	01
01N	0521053303	JUEGO MANGUERA	01
01O	0501053834	MALE QUICK COUPLING AGRICULTURAL WITH	06
01P	0581011175	SPRING PROTECTION PLASTIC HOSE	03
01Q	0502010477	UPPER CLIP	23
01R	0502012702	BODY SUPPORT CLAMP	22
01S	0503010851	7/16" X 3.1/2" BOLT	03
01T	0503010180	7/16" SPRING WASHER	17
01U	0503014802	7/16" X 5 BOLT	08

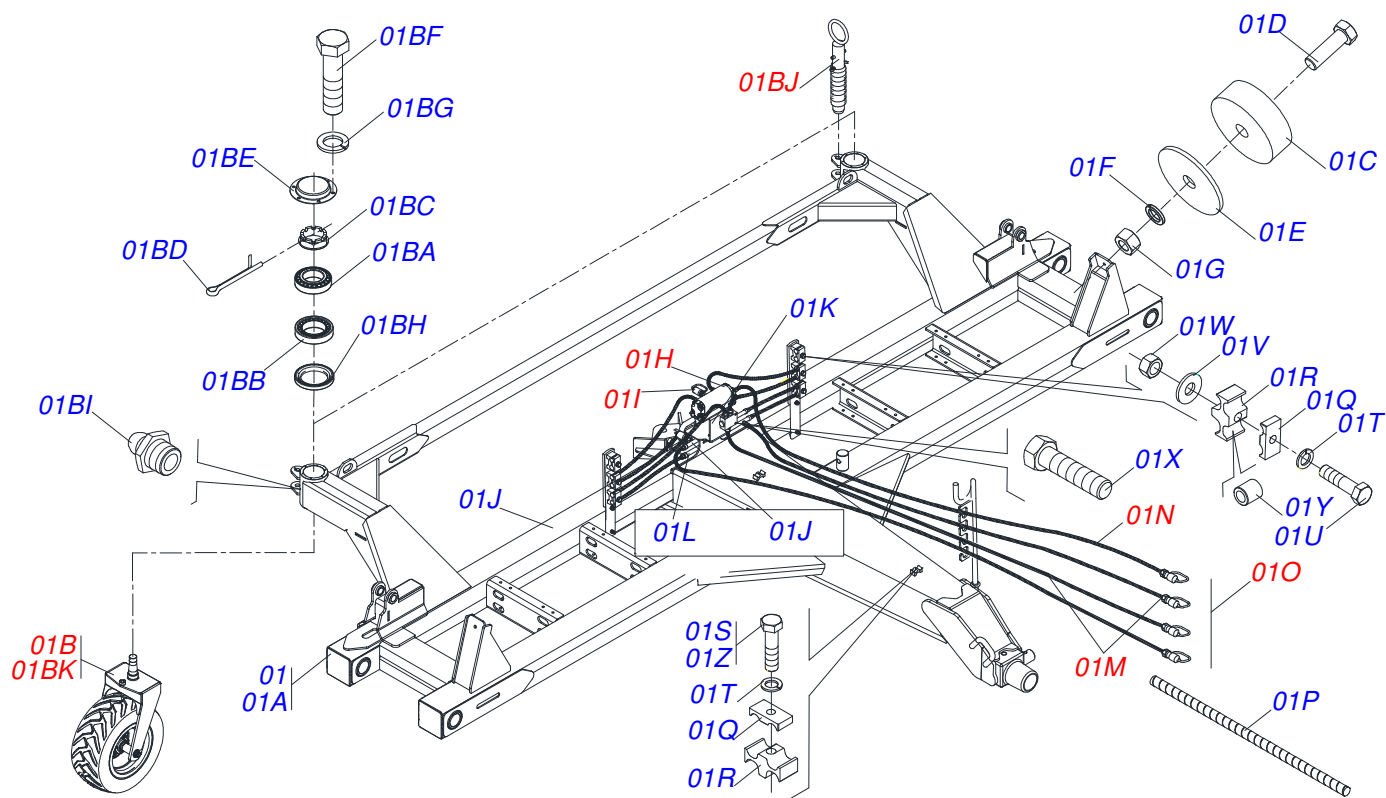


DOUBLE HEAD WITH WHEEL ULTRA FLEX
CENTRAL FRAME

Page 2

0909093558

Item	Code	Description	QT
01V	0511017302	FLAT WASHER	24
01W	0503010244	7/16" NUT	14
01X	0503011173	7/16" X 2" BOLT	04
01Y	0531013922	0.6" X 0.8" X 1" SLEEVE	02
01Z	0503011135	7/16" X 1-1/2" BOLT	02



Item	Code	Description	QT
01	0521053322	FRAME ASSY	01
01A	0521068906	CENTRAL FRAME	01
01B	0521051483	WHEEL MOBILE	02
01BA	0503010059	33287/33462 ROLLER BEARING	01
01BB	0503010007	3982/3920 ROLLER BEARING	01
01BC	0502040080	2.1/2" UM FLANGE NUT	01
01BD	0503011345	1/4" X 3-1/2" COTTERPIN	01
01BE	0541013225	WHEEL BOX COVER	01
01BF	0503010295	5/16" X 5/8" BOLT	06
01BG	0503011444	SPRING WASHER	06
01BH	0503013106	SEAL 00085-B	01
01BI	0503010002	1800 GREASE FITTING	01
01BJ	0501054862	LOCK PIN	01
01BK	0521051384	WHEELS ASSY	01
01C	0521011481	BEATER FRAME	02
01D	0501010100	5/8 UNC X 2 C S G.5 BOLT	02
01E	0571013284	FLAT WASHER	02
01F	0503010027	SPRING WASHER	02
01G	0503010013	5/8" NUT	02
01H	0521051485	FLOW DIVIDING VALVE ASSY	01
01I	0501053835	FEMALE QUICK COUPLER	01
01J	0521067971	OIL CONDUCTOR	01
01K	0581014761	VALV. SUPPORT	01
01L	0521067972	OIL CONDUCTOR	02
01M	0521053302	HOSE KIT	01
01N	0521053303	JUEGO MANGUERA	01
01O	0501053834	MALE QUICK COUPLING AGRICULTURAL WITH	06
01P	0581011175	SPRING PROTECTION PLASTIC HOSE	03
01Q	0502010477	UPPER CLIP	23
01R	0502012702	BODY SUPPORT CLAMP	22
01S	0503010851	7/16" X 3.1/2" BOLT	03
01T	0503010180	7/16" SPRING WASHER	17
01U	0503014802	7/16" X 5 BOLT	08

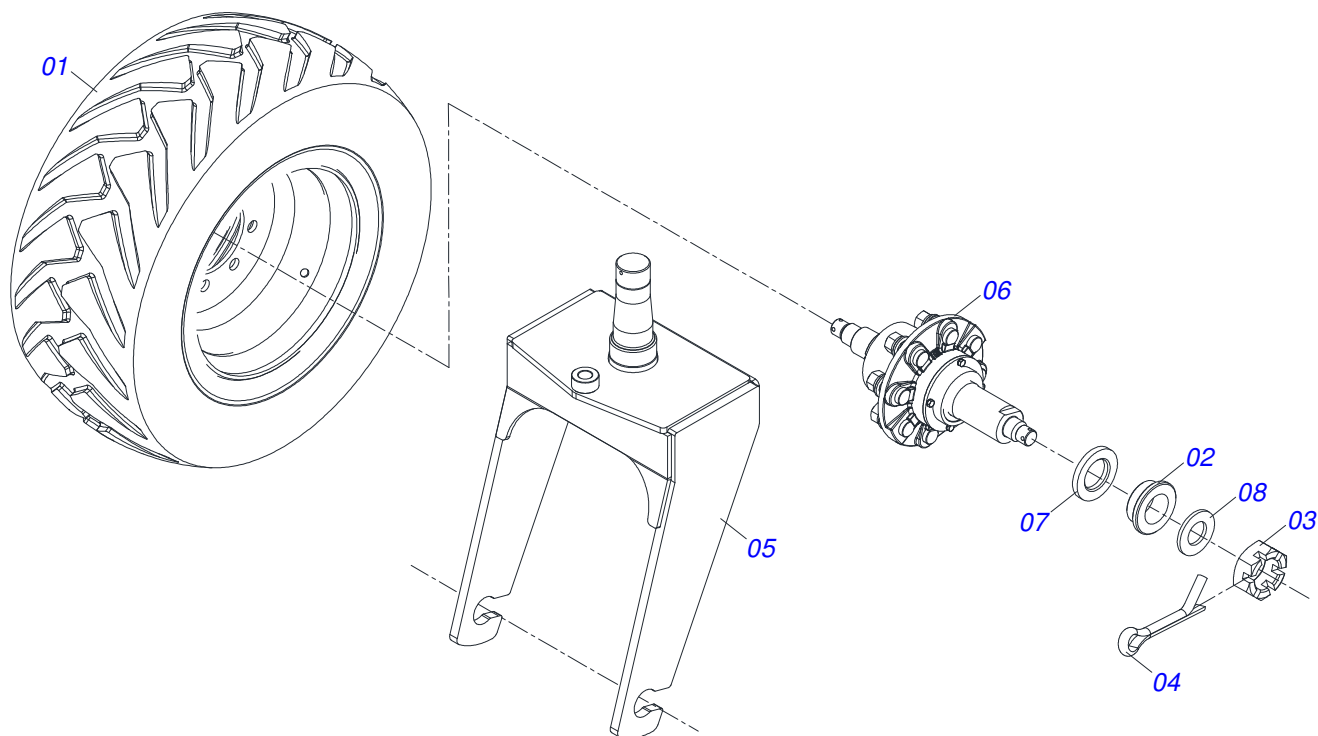


**DOUBLE HEAD WITH WHEEL ULTRA FLEX
CENTRAL FRAME**

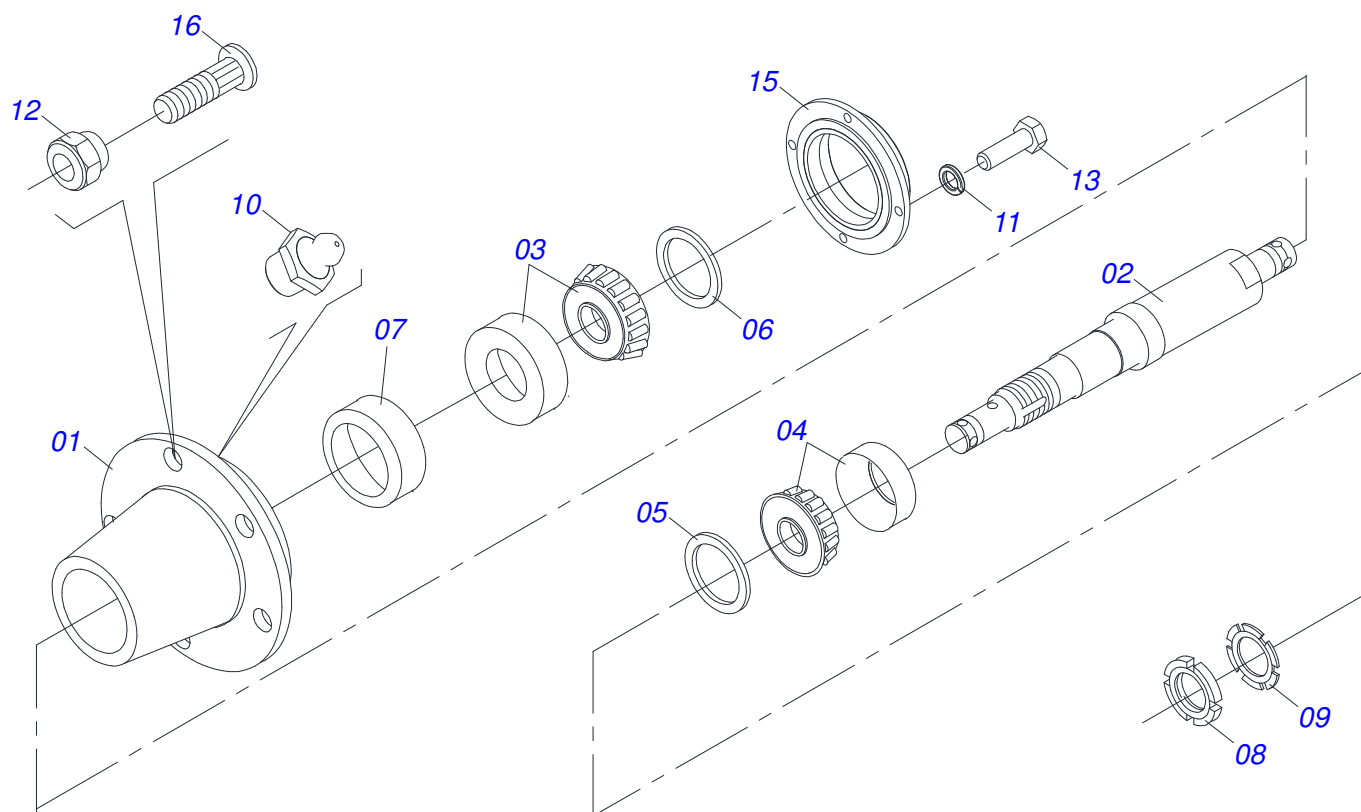
Page 3

0909093849

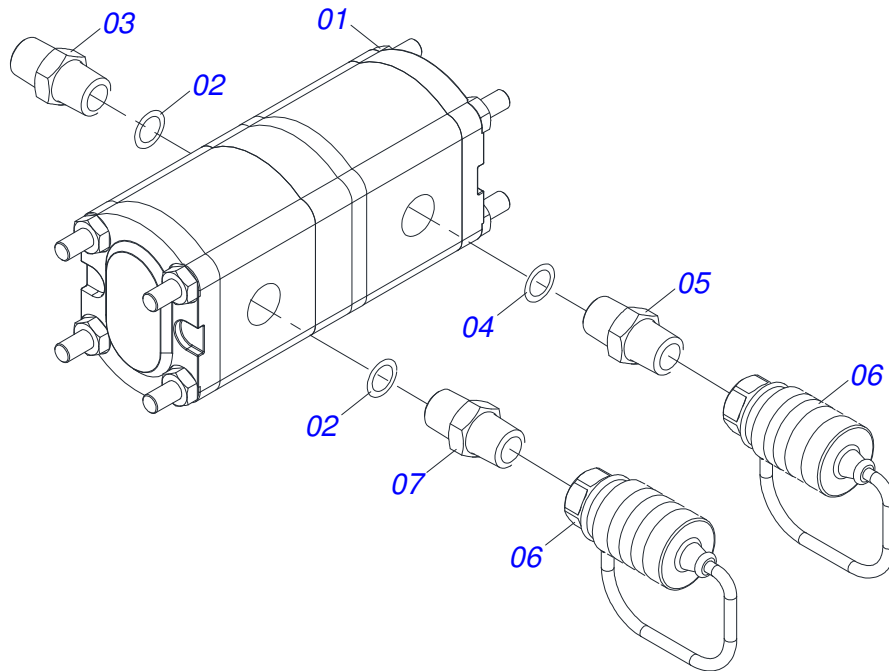
Item	Code	Description	QT
01V	0511017302	FLAT WASHER	24
01W	0503010244	7/16" NUT	14
01X	0503011173	7/16" X 2" BOLT	04
01Y	0531013922	0.6" X 0.8" X 1" SLEEVE	02
01Z	0503011135	7/16" X 1-1/2" BOLT	02



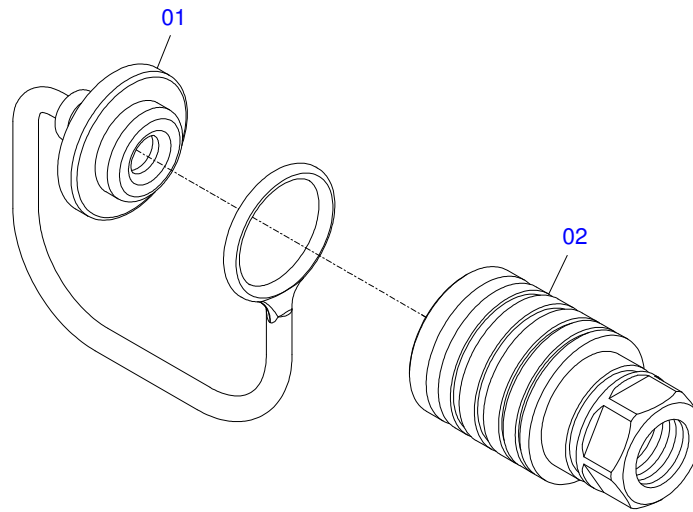
Item	Code	Description	QT
001	0503061624	WHEEL AND TIRE ASSY 13.0/55-16/12LO	01
002	0551014511	CARRYING WEELS AXLE SLEVE GUIDES	02
003	0503011052	1.1/4" X 0.77" CASTLE NUT	02
004	0503010010	1/4" X 2.1/2" COTTERPIN	02
005	0521067975	WHELL FORK	01
006	0521051385	STUB SHAFT HUB	01
007	0551014508	FLAT WASHER	01
008	0501017779	FLAT WASHER	02



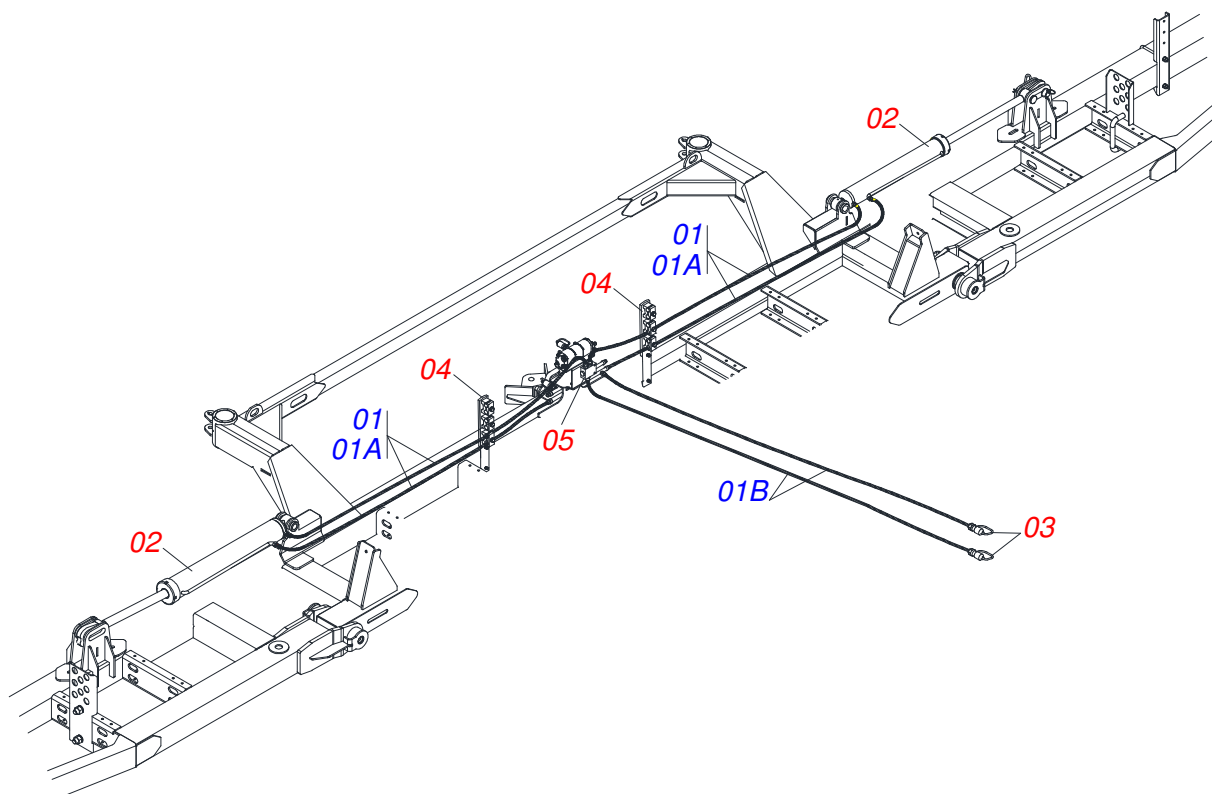
Item	Code	Description	QT
001	0502040760	CARRYING WHEEL HUB	01
002	0581014750	CARRYING WHEEL AXLE	01
003	0503010007	3982/3920 ROLLER BEARING	01
004	0503010059	33287/33462 ROLLER BEARING	01
005	0503010009	SEAL 00573-B	01
006	0503010086	SEAL 0009B-B	01
007	0551014473	SPACING SLEEVE HUB	01
008	0503012702	KM-12 NUT	02
009	0503012703	LOCK WASHER	01
010	0503010002	1800 GREASE FITTING	01
011	0503011444	SPRING WASHER	04
012	0503014048	CM22 X 1,5 NUT	08
013	0503010363	5/16" X 1" BOLT	04
014	1882970002	GREASE SOAP	01
015	0511068415	PFFP-3770 SEAL GUIDE	01
016	0503014050	M22 X 1,5 BOLT	08



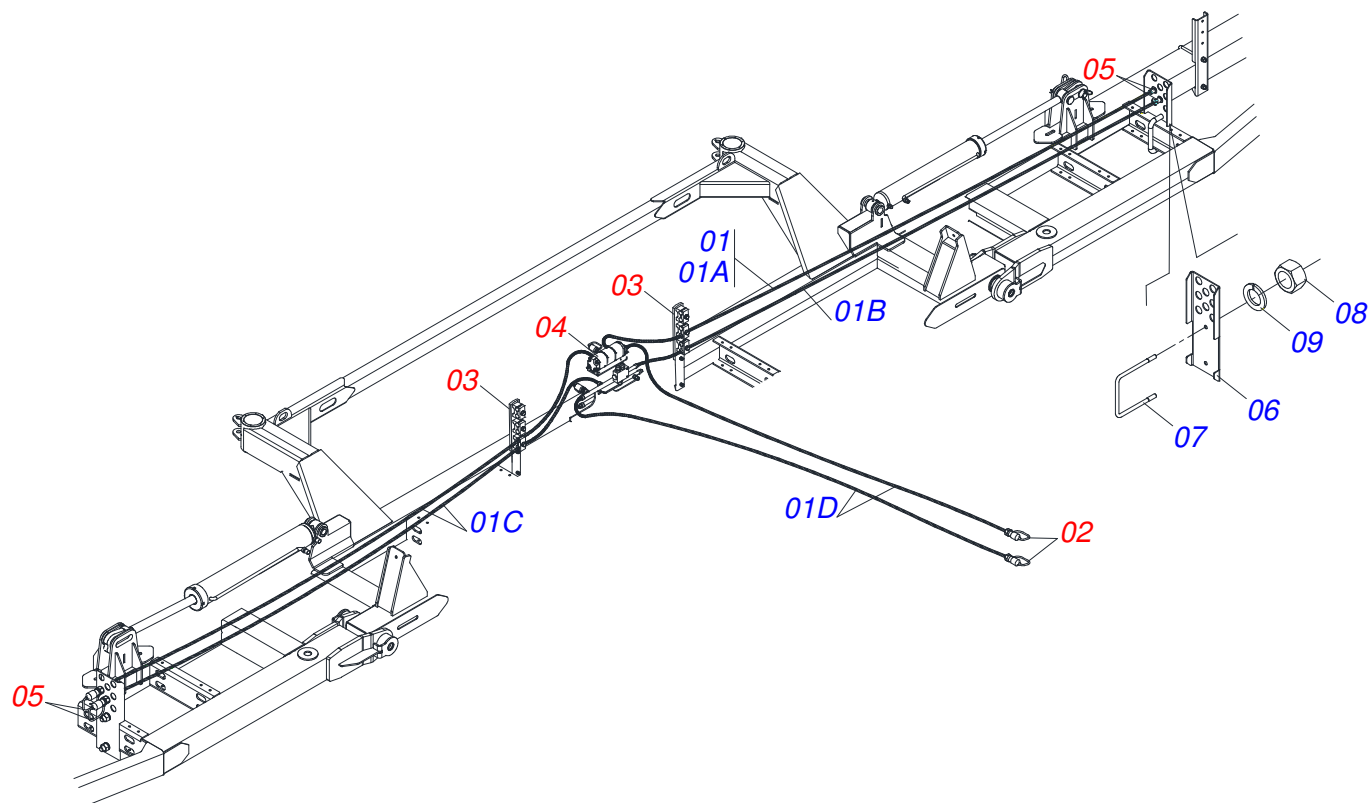
Item	Code	Description	QT
001	0503016524	DIVIDER VALVE	01
002	0503010045	2-116 N 3006-9B O'RING	03
003	0571013917	7/8"NF X 1.1/16 UNF NIPPLE	01
004	0503011109	2-119 N 3006-9B O'RING	01
005	0561019919	7/8"UNF NIPPLE	01
006	0501053835	FEMALE QUICK COUPLER	01
007	0551012400	7/8" UNF NIPPLE	02



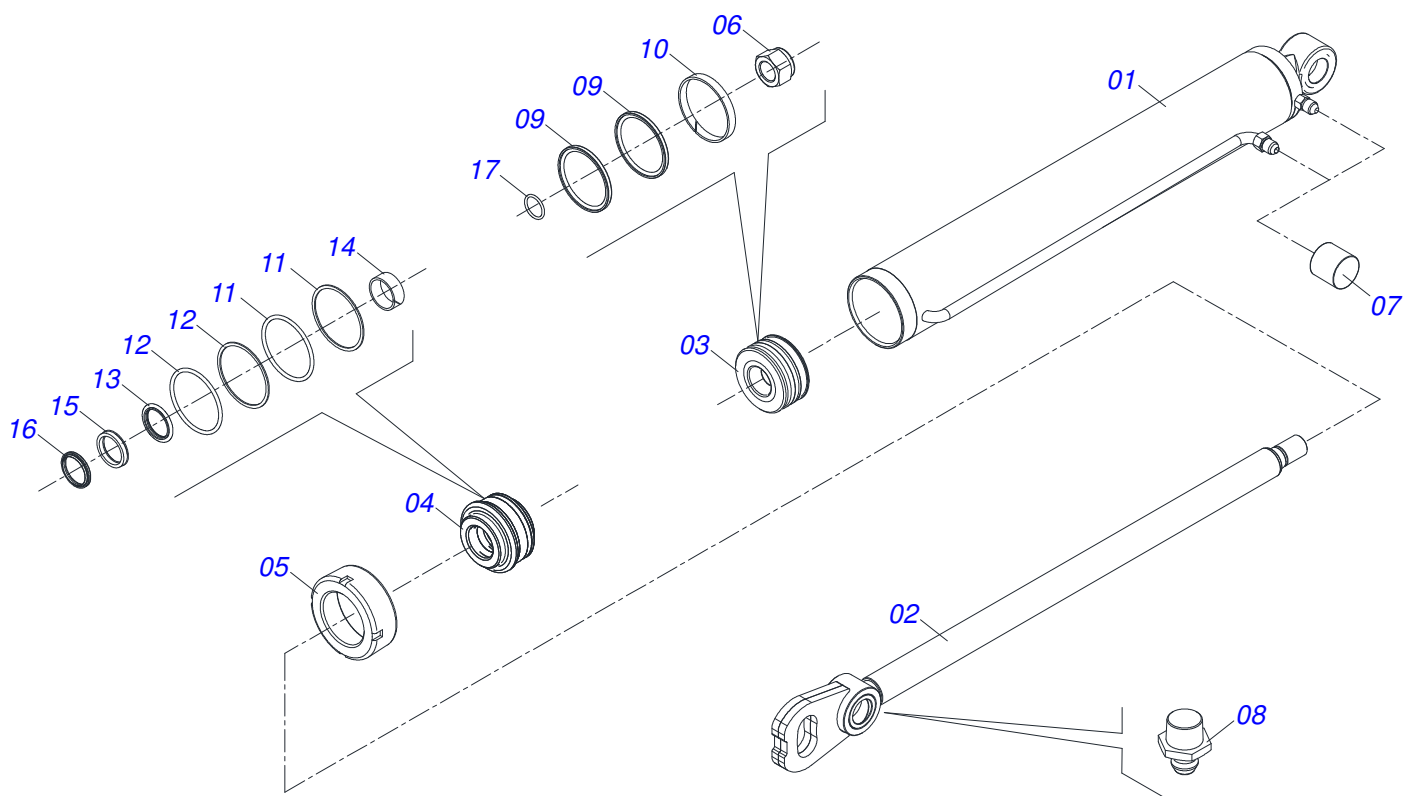
Item	Code	Description	QT
01	0503011883	QUICK CONNECTION COVER	01
02	0503011628	FEMALE QUICK COUPLER	01



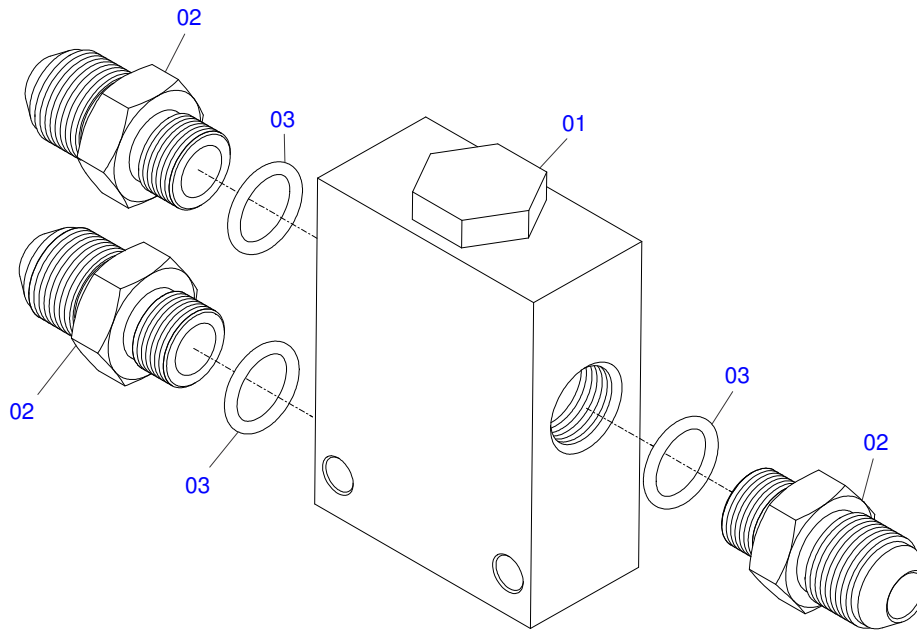
Item	Code	Description	QT
01	0521053302	HOSE KIT	01
01A	0501080401	3/8" X 106" TR-TC HOSE ASSY	04
01B	0501080361	3/8" X 157" TR-TM HOSE ASSY	02
02	0521051386	44,45 X 101,60 HIDRAULIC CYLINDER	02
03	0501053834	MALE QUICK COUPLING AGRICULTURAL WITH	02
04	0521051487	FIXER HYDRAULIC HOSE	02
05	0501054694	FLOW DIVIDING VALVE ASSY	01



Item	Code	Description	QT
01	0521053303	JUEGO MANGUERA	01
01A	0501080350	1/2" X 4500 TC-TM HOSE ASSY	01
01B	0501080001	1/2" X 177" TR-TM HOSE ASSY	01
01C	0501082039	1/2" X 5600 TR-TM HOSE ASSY	02
01D	0501082036	3/8 X 5800 TC-TM HOSE	02
02	0501053834	MALE QUICK COUPLING AGRICULTURAL WITH	02
03	0521051487	FIXER HYDRAULIC HOSE	02
04	0521051485	FLOW DIVIDING VALVE ASSY	01
05	0501053835	FEMALE QUICK COUPLER	04
06	0581014759	FIXER PLATE COUPLING	02
07	0551015037	5/8" UNC X 210 X 198 FASTENER	02
08	0503010013	5/8" NUT	02
09	0503010027	SPRING WASHER	02

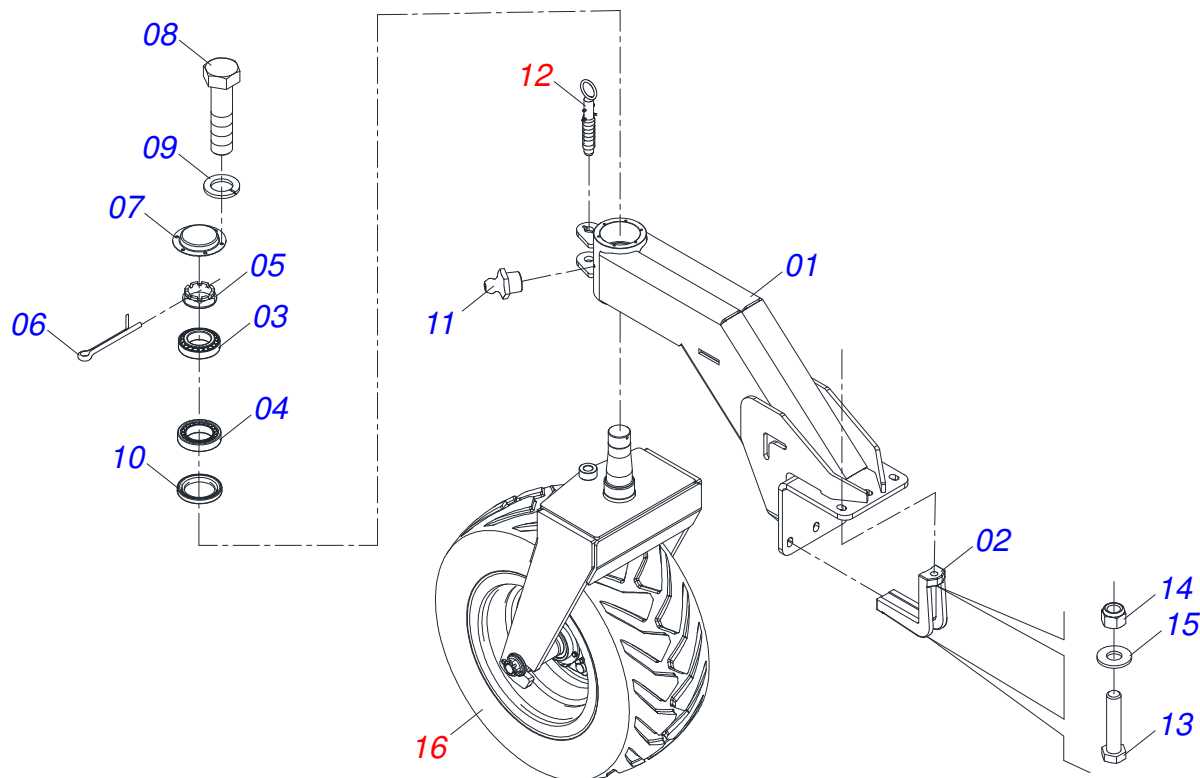


Item	Code	Description	QT
001	0521068066	101,60 X 548 CYLINDER BODY	01
002	0521067979	TURNBUCKLE	01
003	0581010303	PISTON 4 - PCA 600	01
004	0581010302	RING OF SUPPORT	01
005	0502012822	101,60 MOBILE COVER	01
006	0503010817	1-1/4" SELF-ADJUSTING NUT	01
007	0503030385	PLUG	02
008	0503010002	1800 GREASE FITTING	02
009	0503018158	OE 101605200211D-BR RING BS	02
010	0503010994	W2-4000-500 PK RING G.E	01
011	0503011061	8-342 BACK-UP RING	02
012	0503010338	2-342 N 3006-9B O'RING	02
013	0503017936	RING	01
014	0503017938	RING GUIDE	01
015	0503017937	GASKET	01
016	0503010761	D-1750 SCRAPER RING	01
017	0503018029	2-217 O'RING	01

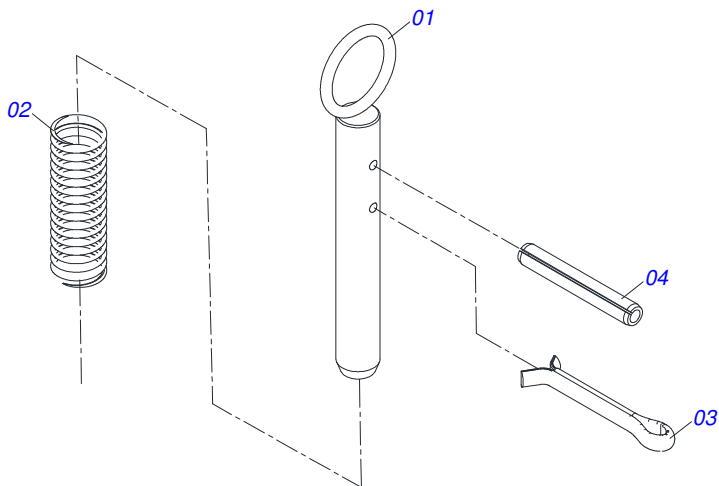


Item	Code	Description	QT
01	0503012481	FLOW DIVIDING VALVE	01
02	0503030923	3/4" UNF X 13/16UN OFS X 40 NIPPLE	03
03	0503010190	2-114 N 3006-9B O'RING	03

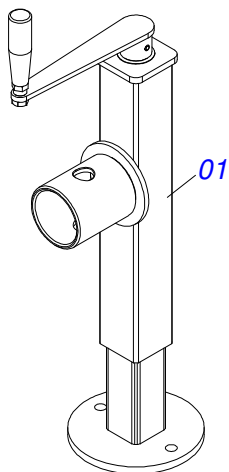
WHEEL



Item	Code	Description	QT
001	0521068904	CARRYING-WHEELS SUPPORT	01
002	0502012731	CATCH RODEIRO	03
003	0503010059	33287/33462 ROLLER BEARING	01
004	0503010007	3982/3920 ROLLER BEARING	01
005	0502040080	2.1/2" UM FLANGE NUT	01
006	0503011345	1/4" X 3-1/2" COTTERPIN	01
007	0541013225	WHEEL BOX COVER	01
008	0503010295	5/16" X 5/8" BOLT	06
009	0503011444	SPRING WASHER	06
010	0503013106	SEAL 00085-B	01
011	0503010002	1800 GREASE FITTING	01
012	0501054862	LOCK PIN	01
013	0503014006	3/4" X 2-1/2" BOLT	06
014	0503010152	3/4" UNF SELF ADJUSTING NUT	06
015	0501010104	FLAT WASHER	06
016	0521051384	WHEELS ASSY	01



Item	Code	Description	QT
001	0511064229	LOCK PIN	01
002	0503030978	COMPRES SPRING	01
003	0503010131	3/16" X 1-1/2" COTTERPIN	01
004	0503010292	0.2" X 1.6" SPRING PIN	01



Item	Code	Description	QT
01	0503062227	DRAWBAR JACK	01



MARCHESAN IMPLEMENTOS E MÁQUINAS AGRÍCOLAS TATU S.A.

AV. Marchesan, 1979 - Post office box, 131 - CEP 15994-900 - Matão - SP - Brazil

Phone +55 16.3382-8282

(FAX Parts) + 55 16.3382. 8297 - (Export) + 55 16.3382.1003

e.mail: tatu@marchesan.com.br www.marchesan.com.br

Technical Publications: Elaboration

LUIZ CANDIDO

Technical Publications: Revision

ALESSANDRA PATRICIA KAWAHARA CARRILI

Contact Catálogo:

E-mail = jgaspari@marchesan.com.br

**ORIGINAL PARTS
TATU**

