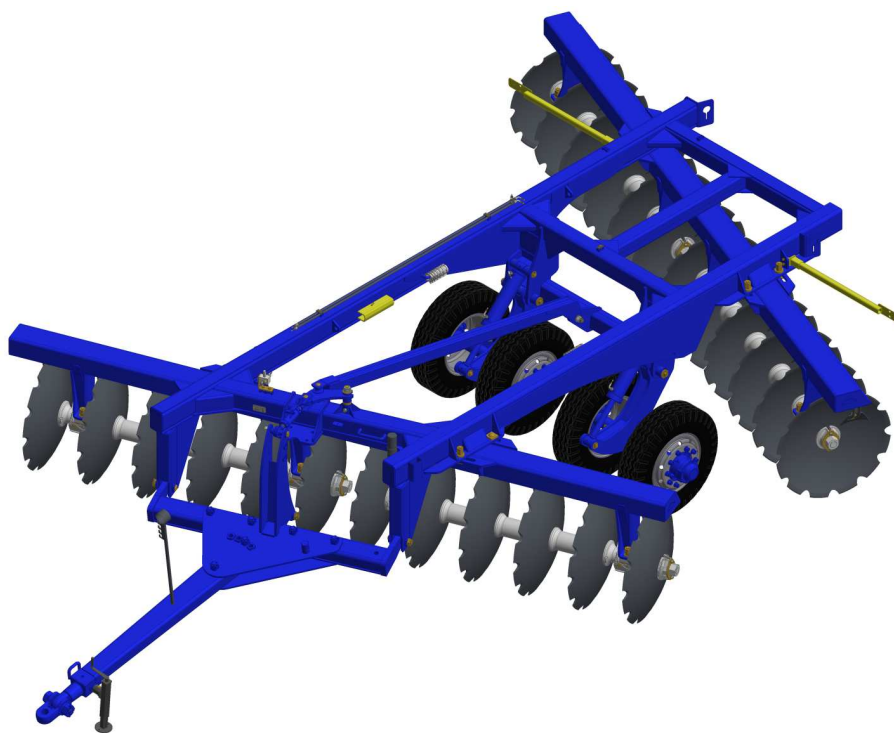


PARTS CATALOG

OFFSET DISK HARROW

**GASPCR EHD 10020 - MEC. - AXIS
2.1/2" - 16/18/20/22/24D**

Code: 0501092283



Series: S-0518

Rev.: 00

Date Rev.: JULHO/2018

**ORIGINAL PARTS
TATU**



PRODUCTS

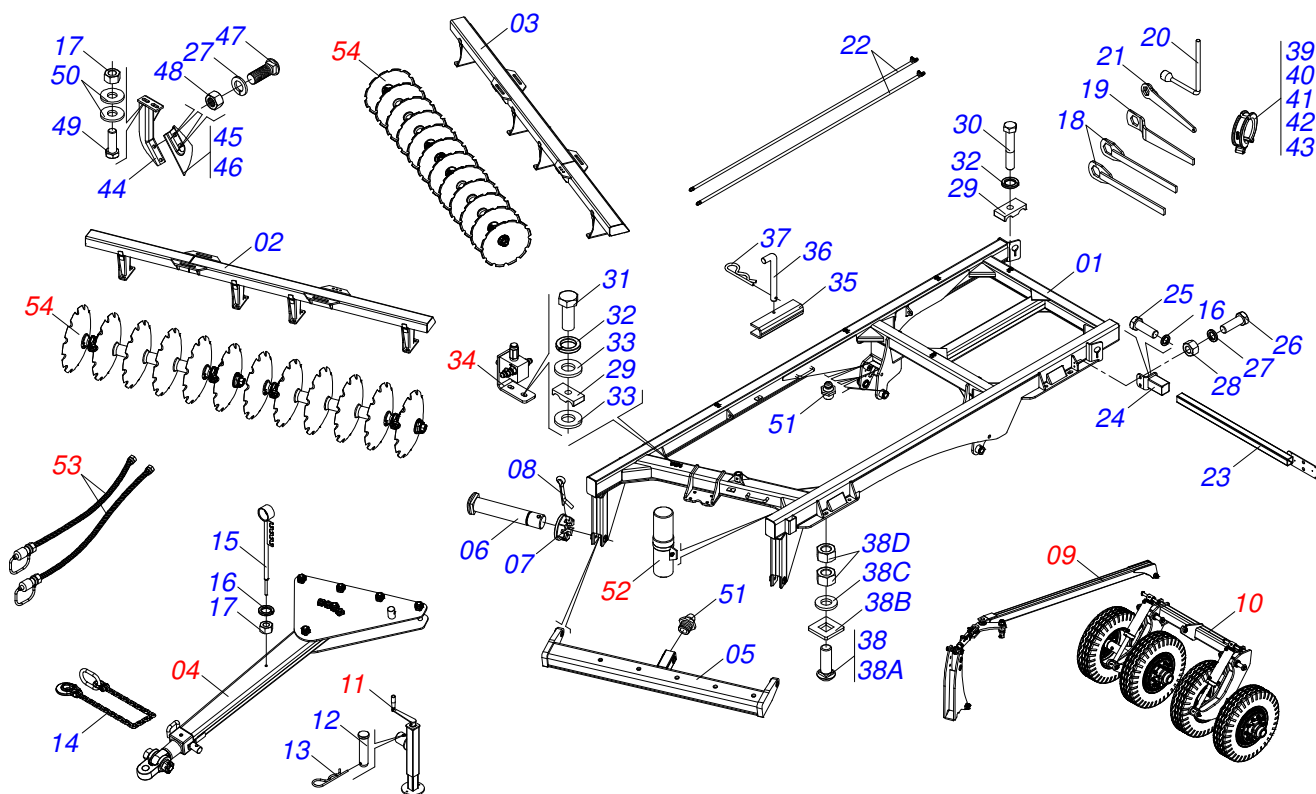
Code	Description
0102090236	GASPCR EHD 10020 16X36X12 DM MEC S-0518
0102090237	GASPCR EHD 10020 16X38X12 DM MEC S-0518
0102090238	GASPCR EHD 10020 16X40X12 DM MEC S-0518
0102090239	GASPCR EHD 10020 16X42X12 DM MEC S-0518
0102090244	GASPCR EHD 10020 18X36X12 DM MEC S-0518
0102090245	GASPCR EHD 10020 18X38X12 DM MEC S-0518
0102090246	GASPCR EHD 10020 18X40X12 DM MEC S-0518
0102090247	GASPCR EHD 10020 18X42X12 DM MEC S-0518
0102090252	GASPCR EHD 10020 20X36X12 DM MEC S-0518
0102090253	GASPCR EHD 10020 20X38X12 DM MEC S-0518
0102090254	GASPCR EHD 10020 20X40X12 DM MEC S-0518
0102090255	GASPCR EHD 10020 20X42X12 DM MEC S-0518
0102090260	GASPCR EHD 10020 22X36X12 DM MEC S-0518
0102090261	GASPCR EHD 10020 22X38X12 DM MEC S-0518
0102090262	GASPCR EHD 10020 22X40X12 DM MEC S-0518
0102090263	GASPCR EHD 10020 22X42X12 DM MEC S-0518
0102090268	GASPCR EHD 10020 24X36X12 DM MEC S-0518
0102090269	GASPCR EHD 10020 24X38X12 DM MEC S-0518
0102090270	GASPCR EHD 10020 24X40X12 DM MEC S-0518
0102090271	GASPCR EHD 10020 24X42X12 DM MEC S-0518

ATTENTION: **IMPORTANT**

MARCHESAN S/A RESERVES THE RIGHT AT ANY TIME TO MAKE IMPROVEMENTS IN THE DESIGN, MATERIAL OR SPECIFICATIONS OF MACHINERY, EQUIPMENT OR PARTS WITHOUT THEREBY BECOMING LIABLE TO MAKE SIMILAR CHANGES IN MACHINERY, EQUIPMENT OR PARTS PREVIOUSLY SOLD.

INDEX

0909091037	16/18/20/22/24D - FRAME ASSY	1
0511041592	DRAWBAR ASSY	2
0909092130	HEADER ARTICULATOR ASSY	3
0511059199	AIR TURNBUCKLE STABILIZER BAR	4
0909092146	ASSY WHEEL SYSTEM	5
0503061582	WHEEL AND TIRE ASSY	6
0501057120	HUB ASSY	7
0521051832	HYDRAULIC CYLINDER	8
0511048088	DRAWBAR JACK	9
0511059196	VALVE FULL	10
0521052190	ASSY MANUAL DOOR	11
0909093348	16/18/20/22/24D - HYDRAULIC CIRCUIT	12
0909090911	16/18/20/22/24D - DISC GANG SECTION	13
0511042200	495MM X 2-1/2" RD. OIL BATH BEARING	14



Item	Code	Description	16	18	20	22	24
01	0521066702	FRAME	01	01	01	01	01
02	0511066942	FRONT FRAME	01	00	00	00	00
02.	0521062875	FRONT FRAME	00	01	00	00	00
02..	0521062873	FRONT FRAME	00	00	01	00	00
02...	0521062863	FRONT FRAME	00	00	00	01	00
02....	0521063932	FRONT FRAME	00	00	00	00	01
03	0511066943	REAR FRAME	01	00	00	00	00
03.	0521062876	REAR FRAME	00	01	00	00	00
03..	0521062874	REAR FRAME	00	00	01	00	00
03...	0521062865	REAR FRAME	00	00	00	01	00
03....	0521063942	REAR FRAME	00	00	00	00	01
04	0511041592	DRAWBAR ASSY	01	01	01	01	01
05	0521066699	OFFSET BAR	01	01	01	01	01
06	0541014119	COUPLING SHAFT	02	02	02	02	02
07	0501011301	1.1/2 UNC 6FPP 2.5/16 NUT	02	02	02	02	02
08	0503010010	1/4" X 2.1/2" COTTERPIN	02	02	02	02	02
09	0909092130	HEADER ARTICULATOR ASSY	01	01	01	01	01
10	0909092146	ASSY WHEEL SYSTEM	01	01	01	01	01
11	0511048088	DRAWBAR JACK	01	01	01	01	01
12	0561014251	COUPLING SHAFT	01	01	01	01	01
13	0503030012	HAIR PIN	01	01	01	01	01
14	0503013150	1300 X 3/8 CHAIN	01	01	01	01	01
15	0521062849	HOSE HOLDER ASSY	01	01	01	01	01
16	0503010023	SPRING WASHER	03	03	03	03	03
17	0503010014	3/4" NUT	37	41	45	49	53
18	0501061044	2-1/8" AND 2-1/2" CABLE FLAT WRENCH	02	02	02	02	02
19	0501011432	1-1/2" AND 1-5/8 GANG BOLT WRENCH	01	01	01	01	01
20	0503016137	1-1/4" WRENCH CABLE CYLINDRICAL	01	01	01	01	01
21	0521062858	1.1/4" WRENCH NUT	01	01	01	01	01
22	0521066937	DUCT DISTRIBUTOR OF OIL	02	02	02	02	02
23	0521066443	SUPPORT FIXER LANTERN	02	02	02	02	02
24	0521066624	FIXER SUPPORT LANTERN	02	02	02	02	02
25	0501010098	HEX BOLT 3/4 UNC X 2 C S G.5 ZN	02	02	02	02	02



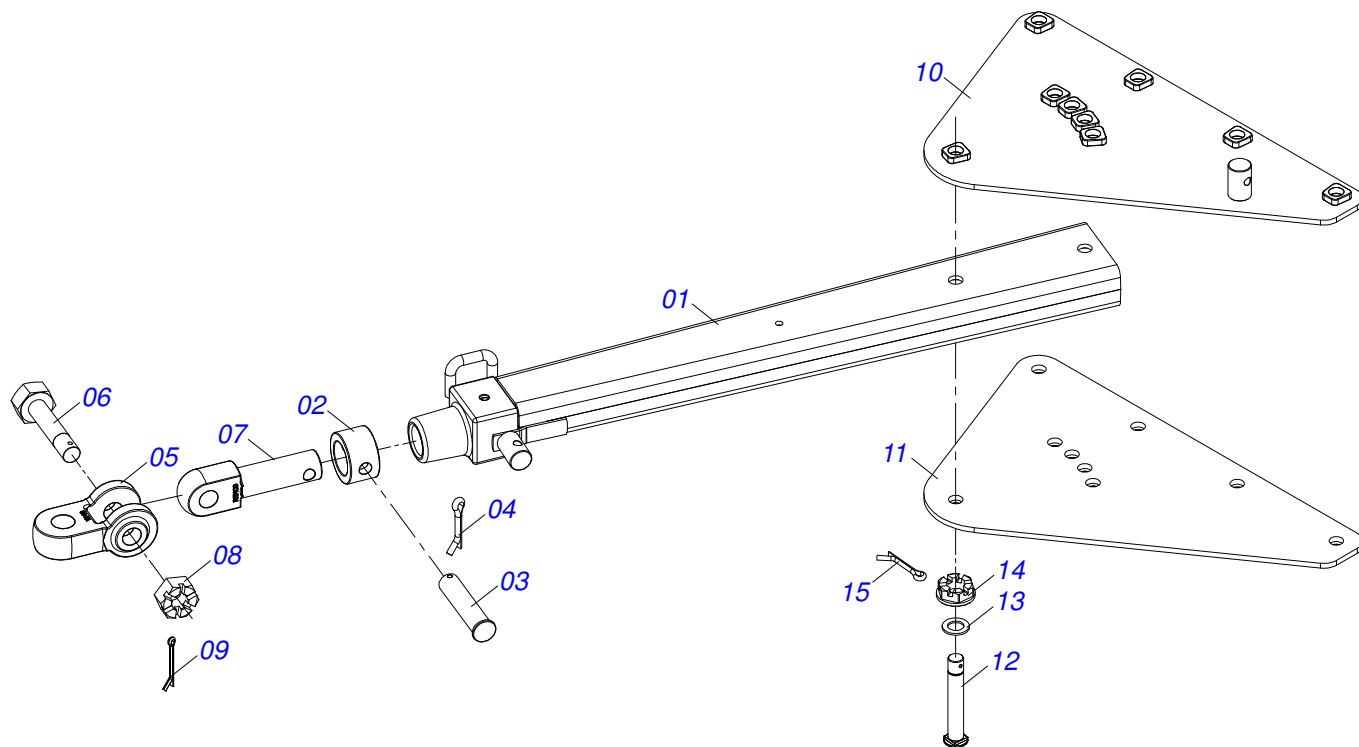
16/18/20/22/24D - FRAME ASSY

0909091037

Item	Code	Description	16	18	20	22	24
26	0503011082	C1/2" X 1.3/4" BOLT	04	04	04	04	04
27	0503010027	SPRING WASHER	32	36	40	44	48
28	0503010060	1/2" NUT	04	04	04	04	04
29	0502010477	UPPER CLIP	05	05	05	05	05
30	0503011135	7/16" X 1-1/2" BOLT	03	03	03	03	03
31	0503011173	7/16" X 2" BOLT	02	02	02	02	02
32	0503010180	7/16" SPRING WASHER	05	05	05	05	05
33	0501012803	FLAT WASHER	04	04	04	04	04
34	0511059196	VALVE FULL	01	01	01	01	01
35	0561016693	TRANSPORT LOCK	02	02	02	02	02
36	0541016844	FIXER LOCK	02	02	02	02	02
37	0503030285	HAIR PIN	02	02	02	02	02
38	0521040349	1-1/4" X 5.3/4" BOLT	08	08	08	08	08
38A	0501010954	1-1/4" X 5-3/4" BOLT	08	08	08	08	08
38B	0571010449	LOCK BOLT	08	08	08	08	08
38C	0571010448	SLEEVE 32,50 X 75 X 16	08	08	08	08	08
38D	0501010087	1.1/4" NUT	16	16	16	16	16
39	0501047895	ROD STOP	04	04	04	04	04
40	0501047885	ROD STOP	02	02	02	02	02
41	0501047886	ROD STOP	02	02	02	02	02
42	0501047887	ROD STOP	02	02	02	02	02
43	0501047888	ROD STOP	02	02	02	02	02
44	0511064771	FRONT SCRAPER SUPPORT	16	18	20	22	24
45	0521013678	FRONT CLEANER	08	09	10	11	12
46	0521013679	REAR CLEANER	08	09	10	11	12
47	0503012195	5/8" NUT	32	36	40	44	48
48	0503010013	5/8" NUT	32	36	40	44	48
49	0501010500	3/4"X3"BOLT	32	36	40	44	48
50	0541010763	FLAT WASHER	64	72	80	88	96
51	0503010002	1800 GREASE FITTING	09	09	09	09	09
52	0521052190	ASSY MANUAL DOOR	01	01	01	01	01
53	0909093348	16/18/20/22/24D - HYDRAULIC CIRCUIT	01	01	01	01	01
54	0909090911	16/18/20/22/24D - DISC GANG SECTION	01	01	01	01	01

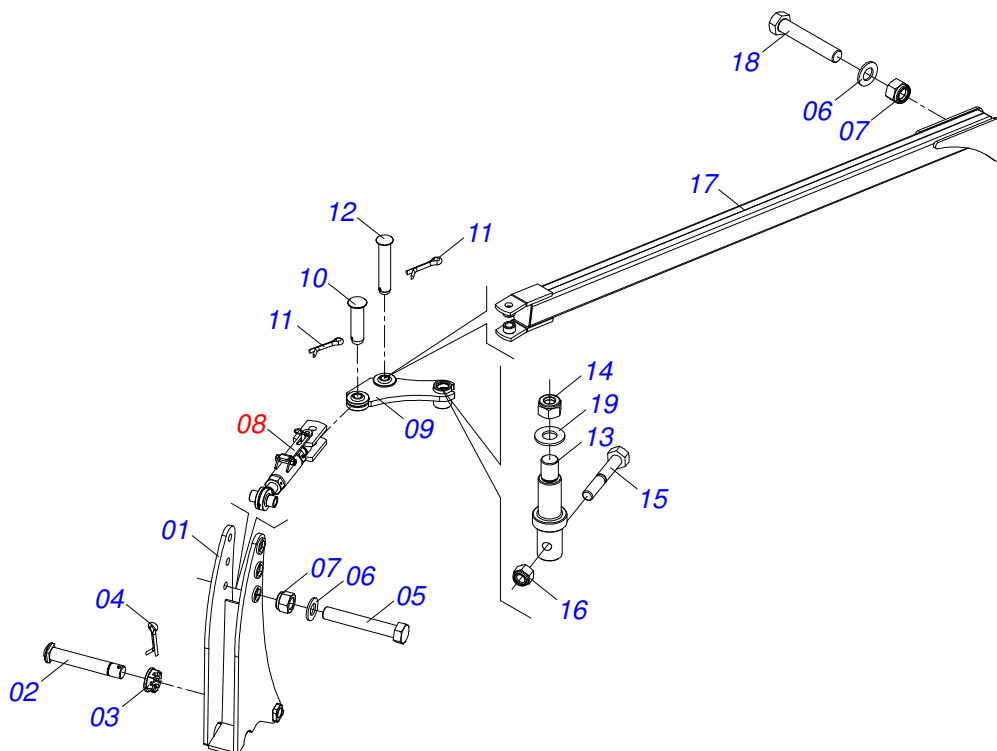
DRAWBAR ASSY

0511041592



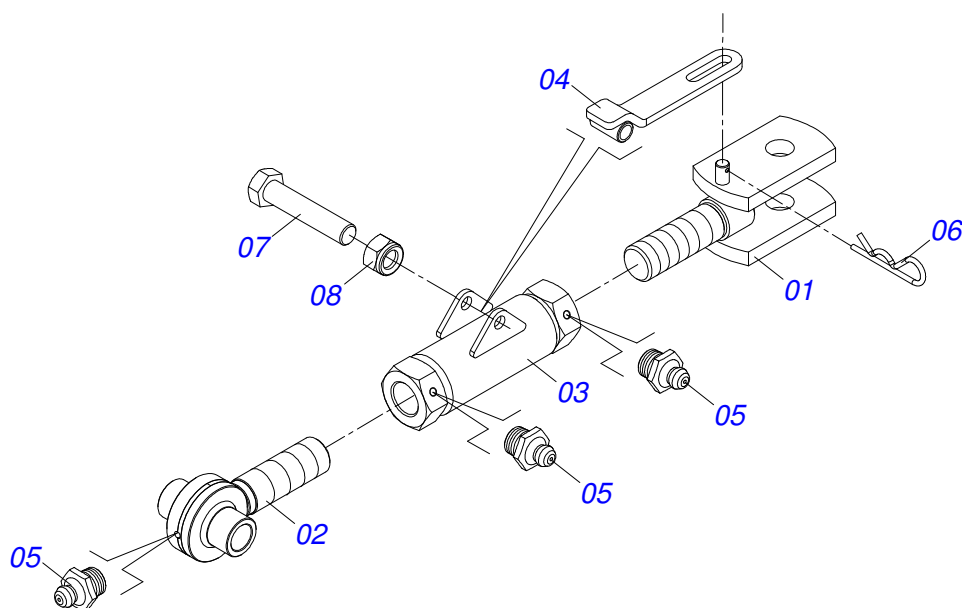
Item	Code	Description	QT
001	0511064669	DRAWBAR ASSY	01
002	0502040263	ANEL TRAVA ENGATE	01
003	0561017306	COUPLING SHAFT	01
004	0503010523	1/4" X 2" COTTERPIN	01
005	0502040293	YH-90 CLEVIS	01
006	0511067199	2" BOLT	01
007	0502040264	DRAWBOLT	01
008	0502040558	2" CASTLE NUT	01
009	0503010074	3/8 X 0,15" COTTERPIN	01
010	0511064659	UPPER PLATE	01
011	0511064658	LOWER PLATE	01
012	0521011880	37,5 X 242 COUPLING SHAFT	06
013	0501012916	FLAT WASHER 38,50 X 66 X 4,75 ZN	06
014	0501011301	1.1/2 UNC 6FPP 2.5/16 NUT	06
015	0503010010	1/4" X 2.1/2" COTTERPIN	06

HEADER ARTICULATOR ASSY



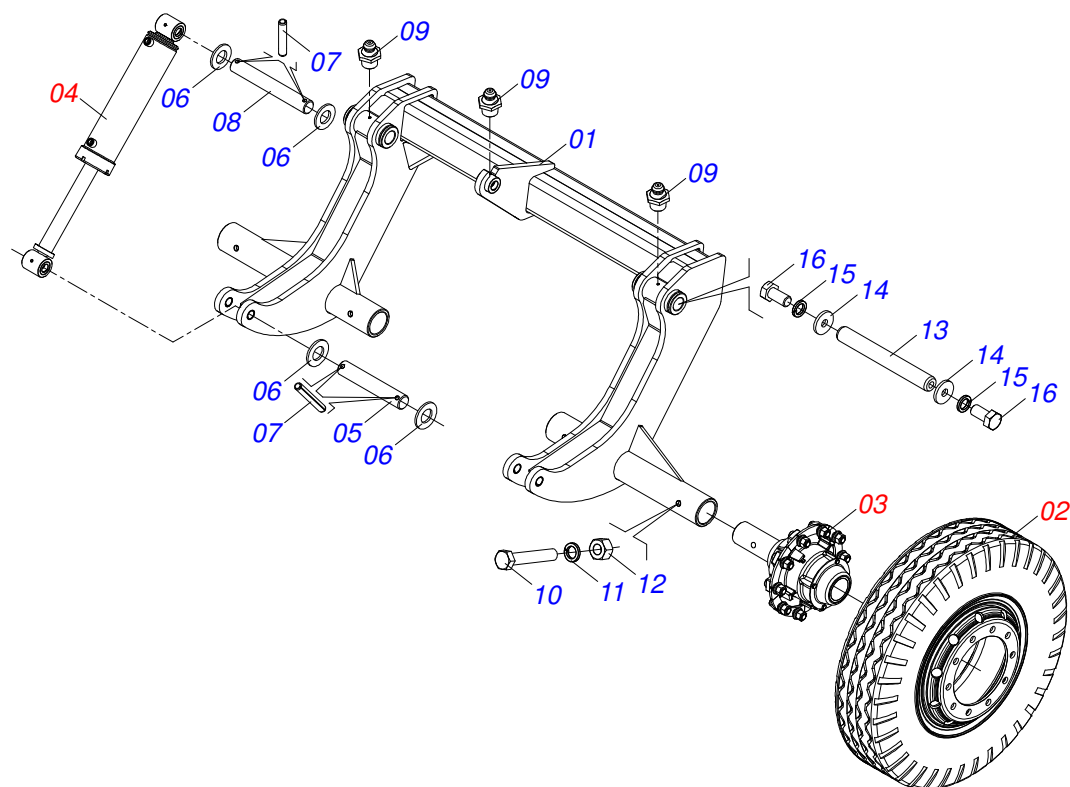
Item	Code	Description	QT
01	0521066758	HEADER ARTICULATOR	01
02	0521012053	1.5" X 8.6" AXLE	01
03	0501011301	1.1/2 UNC 6FPP 2.5/16 NUT	01
04	0503010010	1/4" X 2.1/2" COTTERPIN	01
05	0521017351	1-1/4" X 8" BOLT	01
06	0501017779	FLAT WASHER	01
07	0503010817	1-1/4" SELF-ADJUSTING NUT	02
08	0511059199	AIR TURNBUCKLE STABILIZER BAR	01
09	0521066960	ARTICULADOR STABILIZER BAR	01
10	0521010780	1.2" X 4.5" COUPLING SHAFT	01
11	0503010523	1/4" X 2" COTTERPIN	02
12	0581011919	COUPLING SHAFT 31,75 X 170 ZN	01
13	0581011775	EJE PIVOT SHAFT STABILIZER BAR	01
14	0503010290	SELF ADJUSTING 1.1/2" UNF NUT	01
15	0501010216	3/4" X 4-1/2" BOLT	01
16	0503011075	NUT	01
17	0521066759	STABILIZER BAR	01
18	0503013321	SCREW 1.1/4 UNF X 7 C S G.8 ZN	01
19	0501010287	FLAT WASHER	01

AIR TURNBUCKLE STABILIZER BAR



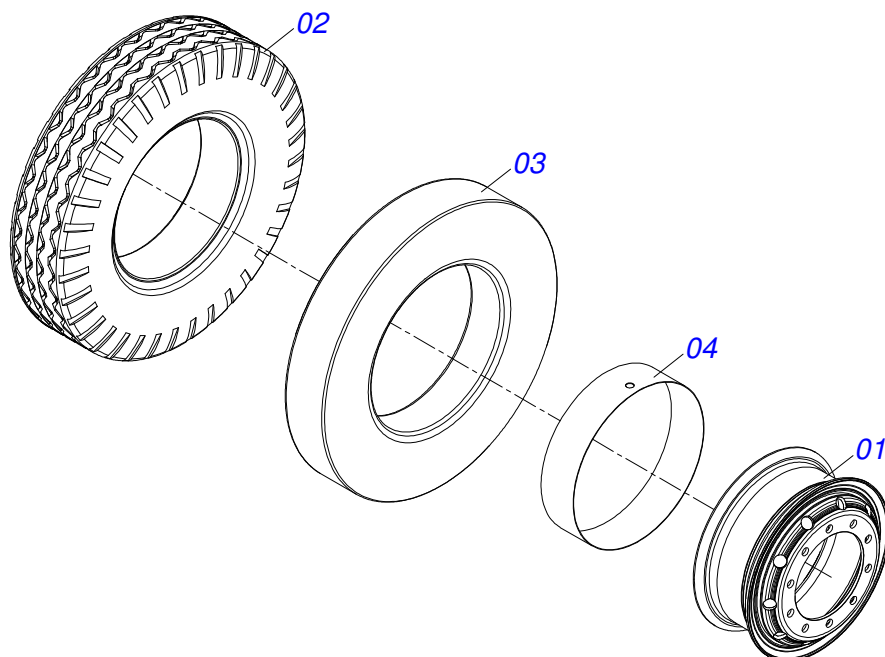
Item	Code	Description	QT
001	0521066962	JACK CRANK C/O. R.1.3/4 ESQ GCRO 7010	01
002	0521066965	JACK CRANK NUT FIXER R.1.3/4 UNC DIR GCRO	01
003	0521066963	ADJUSTMENT NUT R.1.3/4 UNC (245) GCRO	01
004	0521066964	LEVER STABILIZER OF TENSOR REGULATOR	01
005	0503010002	1800 GREASE FITTING	03
006	0503030285	HAIR PIN	01
007	0503010806	5/8" X 3" BOLT	01
008	0503010878	5/8" SELF ALIGNING NUT	01

ASSY WHEEL SYSTEM



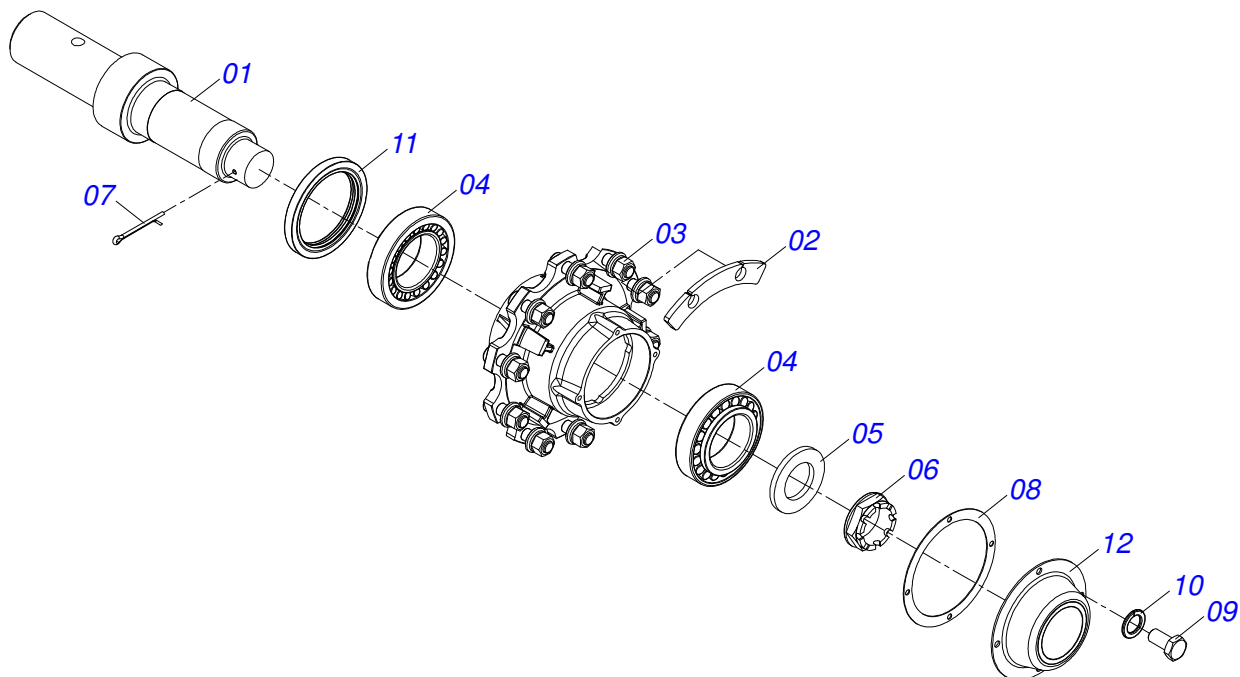
Item	Code	Description	QT
01	0521066478	GCRO 7010 CARRYNG-WHEELS	01
02	0503061582	WHEEL AND TIRE ASSY	04
03	0501057120	HUB ASSY	04
04	0521051832	HYDRAULIC CYLINDER	02
05	0531018101	1.2" X 6.3" PIVOT SHAFT	02
06	0501017779	FLAT WASHER	08
07	0503011877	0.3" X 2.4" SPRING PIN	08
08	0531018105	1.2" X 11.8" PIVOT SHAFT	02
09	0503010002	1800 GREASE FITTING	03
10	0503011198	C3/4" X 6" BOLT	04
11	0503010023	SPRING WASHER	04
12	0503010014	3/4" NUT	04
13	0531018062	COUPLING SHAFT	02
14	0521011565	FLAT WASHER	04
15	0503010012	1" SPRING WASHER	04
16	0503011250	1" X 2" BOLT	04

WHEEL AND TIRE ASSY



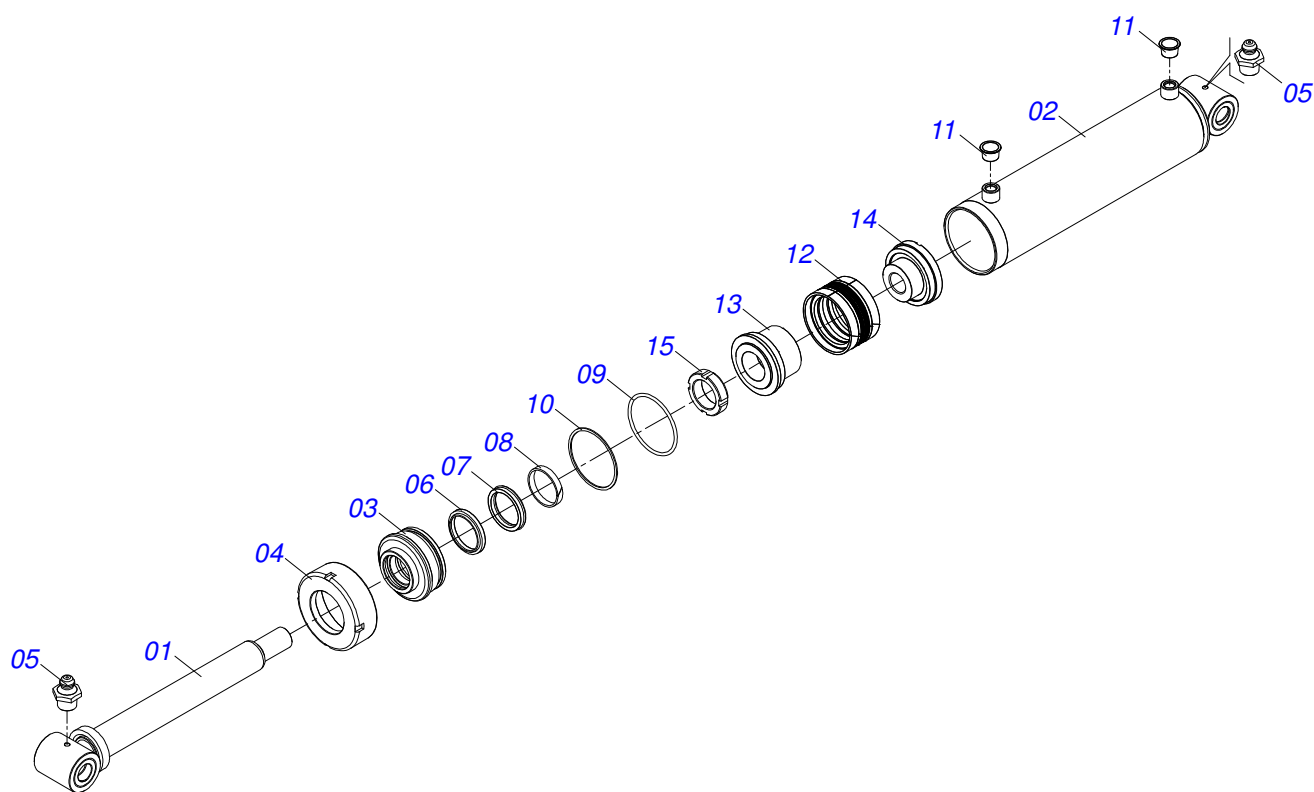
Item	Code	Description	QT
001	0503014184	7.00 X 20" WHEEL	01
002	0503010494	9.0LX 20" X 14 PLY, TIRE	01
003	0503010057	INNER TIRE	01
004	0503010470	PROTECTION	01

HUB ASSY



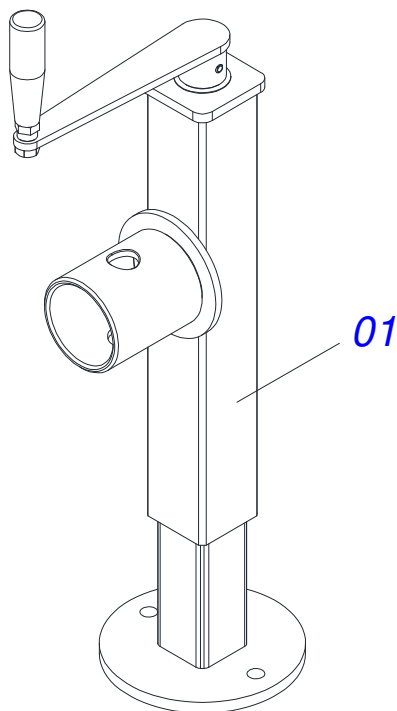
Item	Code	Description	QT
01	0551011426	POINT AXIS R2.1/2UN	01
02	0561015521	FLANGE	05
03	0501110761	CARRYING WHEEL HUB ASSY	01
04	0503010118	32218 ROLLER BEARING	02
05	0531019986	FLAT WASHER	01
06	0502040080	2.1/2" UM FLANGE NUT	01
07	0503012213	1/4" X 4 COTTERPIN	01
08	0503013548	CORK JOINT	01
09	0503013546	M10 X 1,5 X 20MM BOLT	04
10	0503013542	M10 SPRING WASHER	04
11	0503013541	SEAL	01
12	0503013549	HUB COVER	01

HYDRAULIC CYLINDER

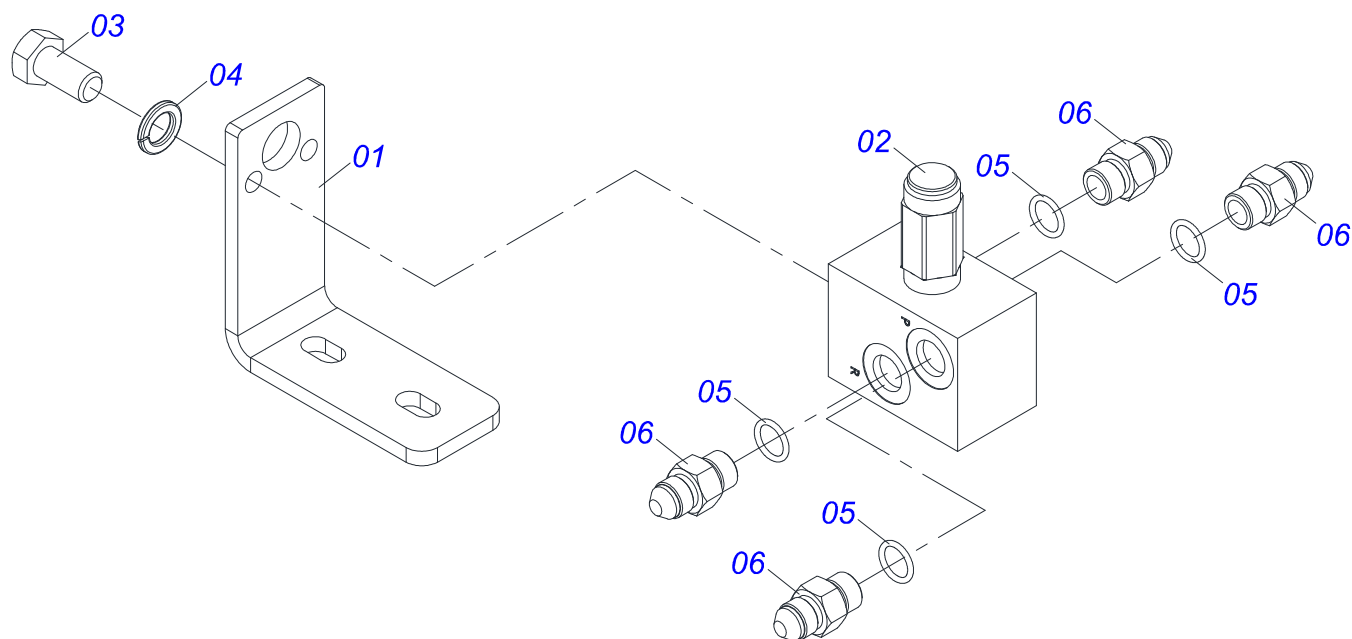


Item	Code	Description	QT
001	0521061684	56,98 X 590,50 TURNBUCKLE	01
002	0521061685	114,30 X 500 CYLINDER CASE	01
003	0502012644	RING SUPPORT	01
004	0502011222	0.56" MOBILE COVER	01
005	0503010002	1800 GREASE FITTING	02
006	0503015715	SCRAPER SEALING	01
007	0503015642	U-CUP SEALING	01
008	0503015641	RING SLYDRING	00
009	0503011892	2-346 N 3006-9B O'RING	01
010	0503011893	8-346 BACK-UP RING	01
011	0503030384	CON N-001 PLUG	02
012	0503015640	SEALING SELEMASTER	01
013	0561016578	PISTON BODY	01
014	0581015283	BODY	01
015	0503819100	SCREW	01

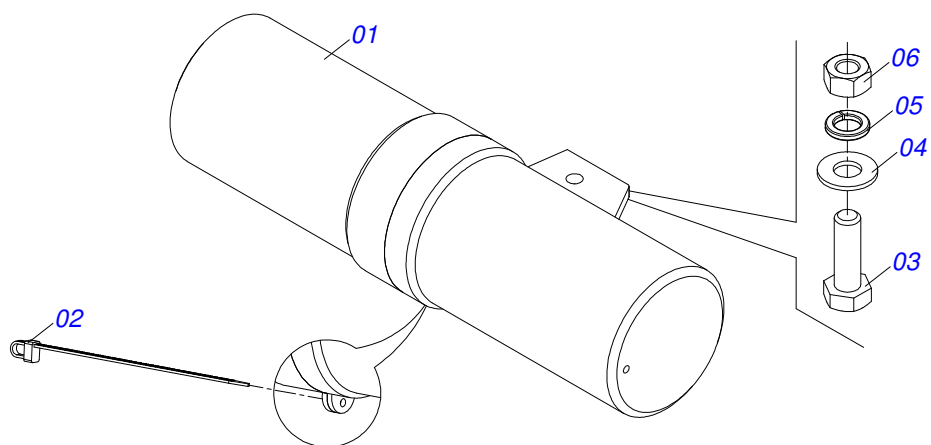
DRAWBAR JACK



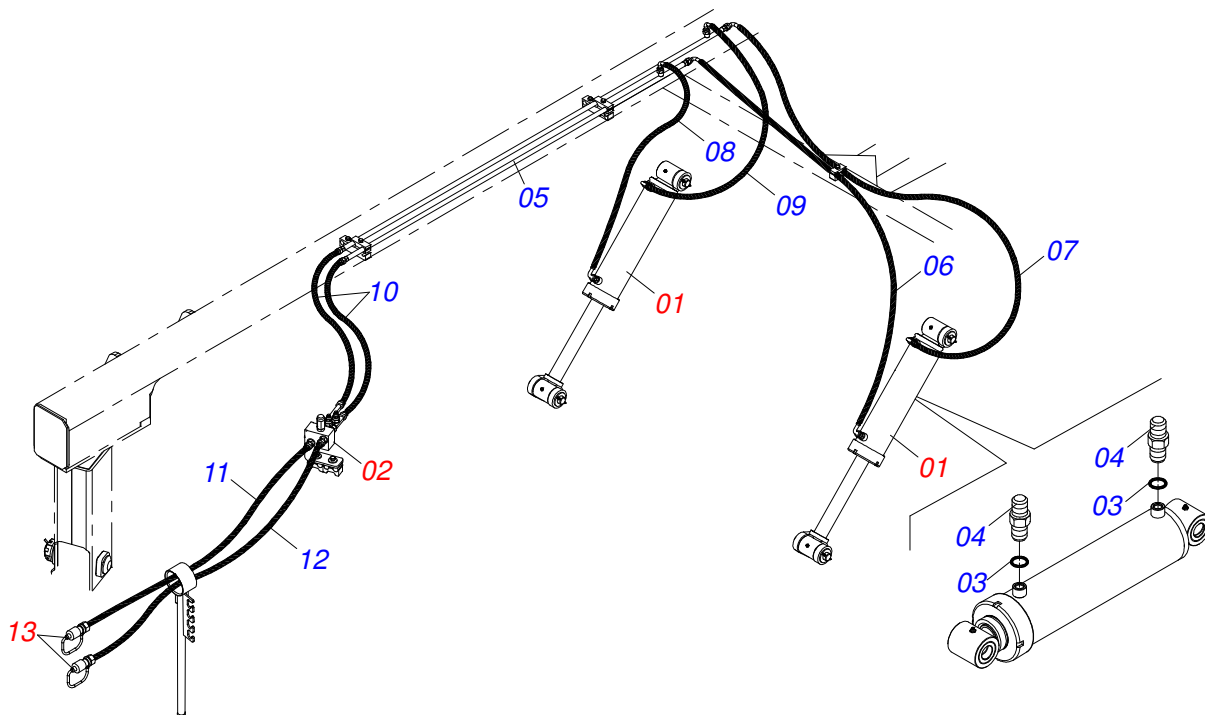
Item	Code	Description	QT
01	0503062227	DRAWBAR JACK	01



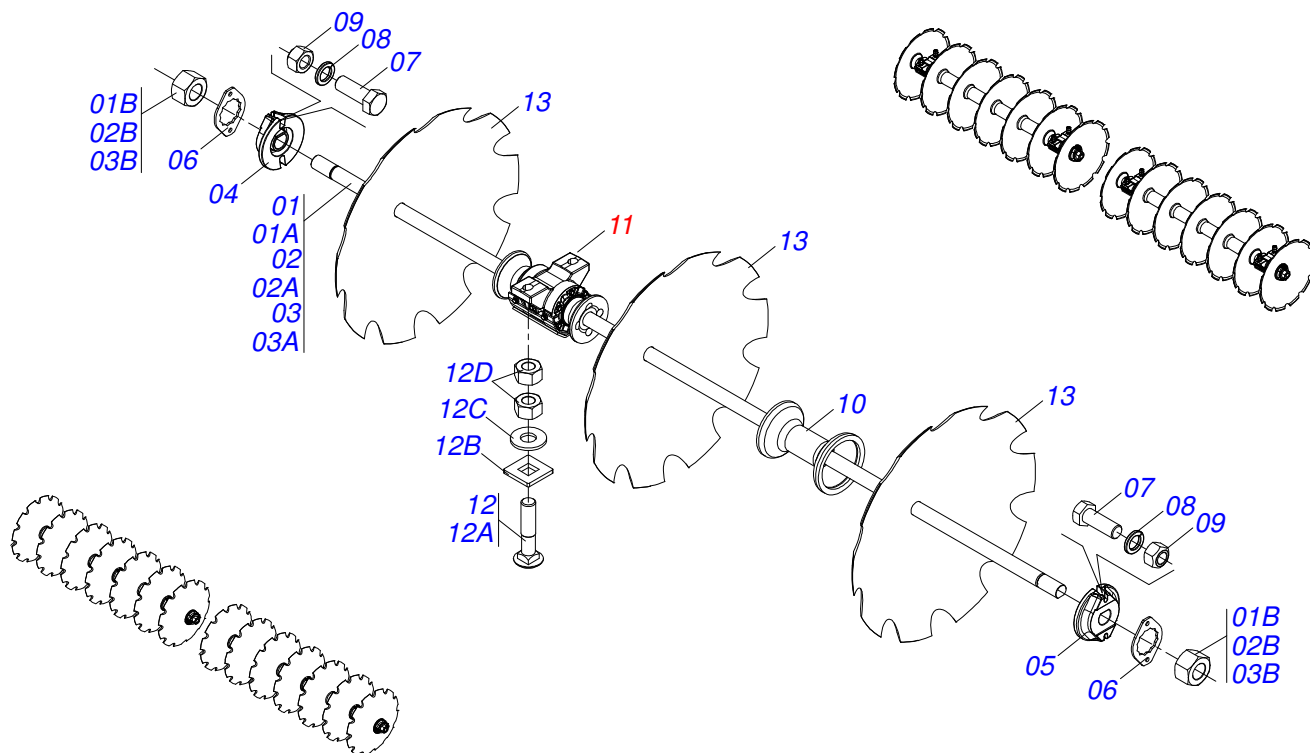
Item	Code	Description	QT
001	0581011745	VALVE SUPPORT	01
002	0503010919	DISCHARGE VALVE	01
003	0503011334	3/8" X 3/4" BOLT	02
004	0503010025	3/8 SPRING WASHER	02
005	0503010190	2-114 N 3006-9B O'RING	04
006	0501010617	3/4" NIPPLE	04



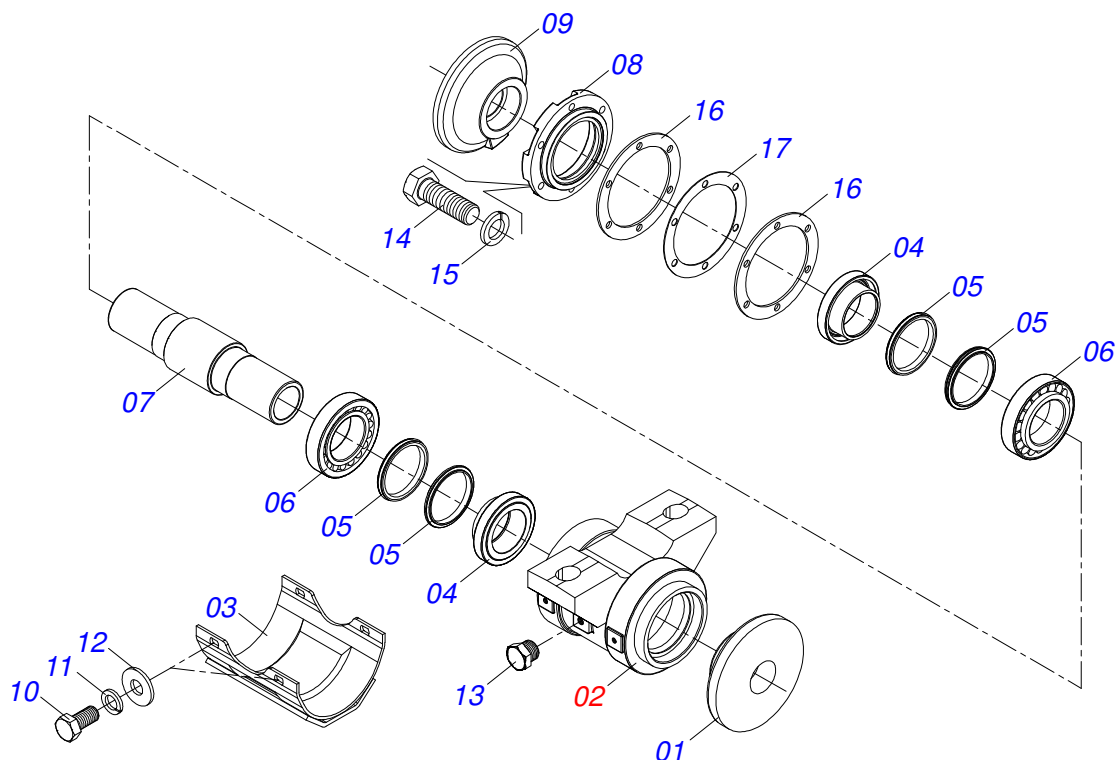
Item	Code	Description	QT
01	0503060100	HAND BOOK COMPARTMENT	01
02	0503010267	NYLON CLAMP	01
03	0503010363	5/16" X 1" BOLT	01
04	0501010694	FLAT WASHER	01
05	0503010179	SPRING WASHER	01
06	0503010337	5/16" NUT	01



Item	Code	Description	QT
01	0521051832	HYDRAULIC CYLINDER	02
02	0511059196	VALVE FULL	01
03	0503010190	2-114 N 3006-9B O-RING	04
04	0501010617	3/4" NIPPLE	04
05	0521066937	DUCT DISTRIBUTOR OF OIL	02
06	0501080432	3/8 X 2600 TC-TC HOSE ASSY	01
07	0501080393	3/8 X 2200 TC-TC HOSE	01
08	0501080065	3/8 X 1200 TC-TC HOSE ASSY	01
09	0501080931	3/8" X 39" TC-TC HOSE ASSY	01
10	0501080106	TR-TR HOSE ASSY	02
11	0521052495	HOSE 3/8 X 5500 TR-TM BLACK/RED	01
12	0521052496	HOSE 3/8 X 5500 TR-TM BLACK/BLUE	01
13	0501053834	QUICK CONECTION (MALE) 1/2	02



Item	Code	Description	16	18	20	22	24
01	0511044898	2.1/2 X 1810 AXLE WITH NUTS	04	02	00	00	00
01A	0551010075	2.1/2 X 1810 AXLE	04	02	00	00	00
01B	0502040064	2.1/2"SNC X 70 99 NUT	08	04	00	00	00
02	0511042421	2-1/2" X 91.7" AXLE WITH NUTS	00	02	04	02	00
02A	0541011893	2-1/2" X 91.7" AXLE	00	02	04	02	00
02B	0502040064	2.1/2"SNC X 70 99 NUT	00	04	08	04	00
03	0511044953	2-1/2" X 2815 AXLE	00	00	00	02	04
03A	0551010438	2.1/2" X 2815 AXLE	00	00	00	02	04
03B	0502040064	2.1/2"SNC X 70 99 NUT	00	00	00	04	08
04	0502010593	2-1/2" EXTERNAL AXLE WASHER	04	04	04	04	04
05	0502010592	2-1/2" INNER AXLE WASHER	04	04	04	04	04
06	0541010368	NUT LOCK	08	08	08	08	08
07	0503010232	5/8" X 1.3/4" BOLT	16	16	16	16	16
08	0501012140	FLAT WASHER	16	16	16	16	16
09	0503012412	HEX SELF ADJUSTING NUT 5/8 UNC S	16	16	16	16	16
10	0502012414	SPACER	04	06	08	10	12
11	0511042200	495MM X 2-1/2" RD. OIL BATH BEARING	08	08	08	08	08
12	0501041301	1-1/4"X 5-3/4" ASSY BOLT	16	16	16	16	16
12A	0501010954	1-1/4" X 5-3/4" BOLT	16	16	16	16	16
12B	0501010953	1-1/4" SQUARE WASHER	16	16	16	16	16
12C	0531010713	FLAT WASHER	16	16	16	16	16
12D	0501010087	1.1/4" NUT	32	32	32	32	32
13	0602052022	42" X 12MM NOTCHED DISK	16	18	20	22	24
13.	0602051003	40" X 12MM NOTCHED DISC BLADE	16	18	20	22	24
13..	0602050002	39 X 12 NOTCHED DISC BLADE	16	18	20	22	24
13...	0602048062	36 X 12MM NOTCHED DISC	16	18	20	22	24



Item	Code	Description	QT
01	0502012846	BEARING INNER FLANGE	01
02	0502012415	HOUSING BEARING	01
03	0521062889	PROTECTION CAP	01
04	0502040119	SEAL RETAINER	02
05	0503030029	SEAL # LP JB-259	04
06	0503013243	32218 ROLLER BEARING	02
07	0502012226	425 BEARING AXLE	01
08	0502010644	HOUSING CAP DM	01
09	0502012847	BEARING OUTER FLANGE	01
10	0503010834	1/2 X 1 BOLT	04
11	0503010019	1/2" SPRING WASHER	04
12	0511017302	FLAT WASHER	04
13	0503010856	OIL PLUG	02
14	0501010063	1/2" X 1-1/2" BOLT	06
15	0503011440	SPRING WASHER	06
16	0503030537	8.3" X 6.3" X 0.01" JOINT	02
17	0503030687	8.3" X 6.3" X 0.004" JOINT	01



MARCHESAN IMPLEMENTOS E MÁQUINAS AGRÍCOLAS TATU S.A.

AV. Marchesan, 1979 - Post office box, 131 - CEP 15994-900 - Matão - SP - Brazil

Phone +55 16.3382-8282

(FAX Parts) + 55 16.3382. 8297 - (Export) + 55 16.3382.1003

e.mail: tatu@marchesan.com.br www.marchesan.com.br

Technical Publications: Elaboration

ALESSANDRA PATRICIA KAWAHARA CARRILI

Technical Publications: Revision

ALESSANDRA PATRICIA KAWAHARA CARRILI

Contact Catálogo:

E-mail = jgaspari@marchesan.com.br

**ORIGINAL PARTS
TATU**

