

PARTS CATALOG

DOUBLE OFFSET DISK HARROW

GTLD QL 68 72 76 80

Code: 0501092280



Series: S-0195

Rev.: 00

Date Rev.: JULHO/2018

**ORIGINAL PARTS
TATU**



PRODUCTS

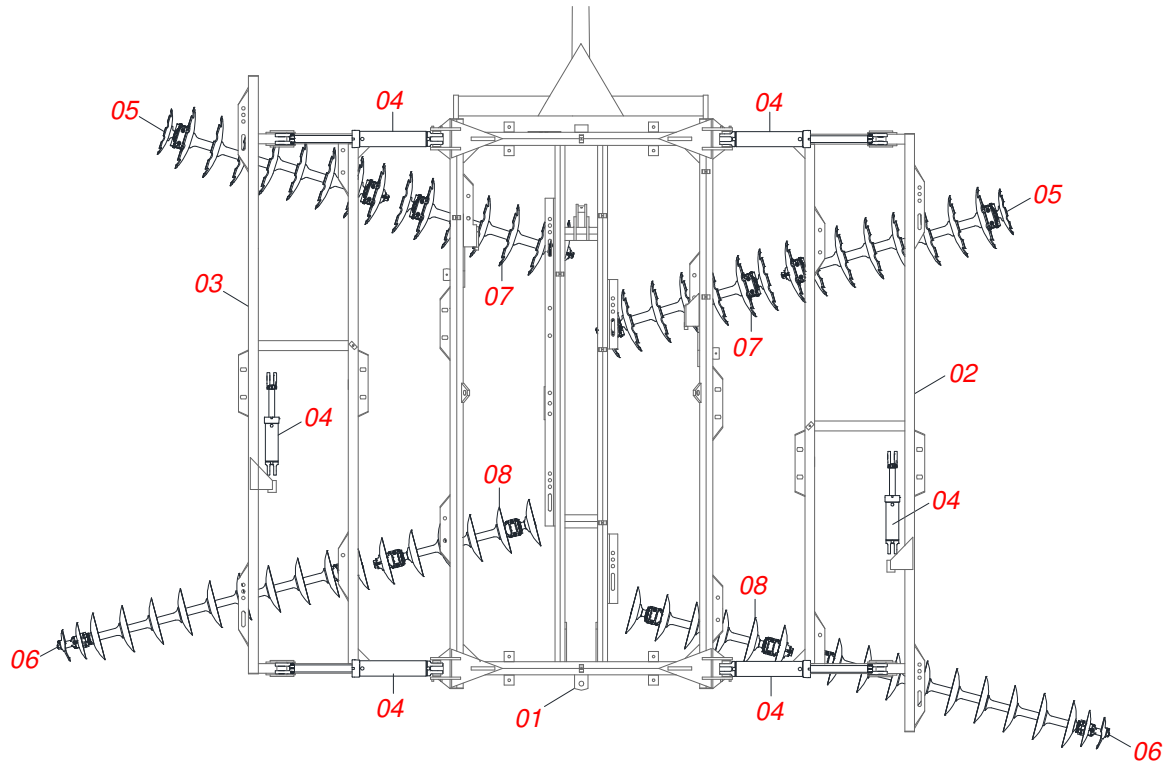
Code	Description
0102430495	GTLD 68 X 26 X 6,00 DM MT S-0195
0102430483	GTLD 72 X 24 X 4,75 DM MT S-0195
0102430496	GTLD 72 X 26 X 6,00 DM MT S-0195
0102430497	GTLD 76 X 26 X 6,00 DM MT S-0195
0102430443	GTLD 80 X 24 X 4,75 DM MT S-0195
0102430528	GTLD 80 X 24 X 6,00 DM S-0195
0102430498	GTLD 80 X 26 X 6,00 DM MT S-0195

ATTENTION: **IMPORTANT**

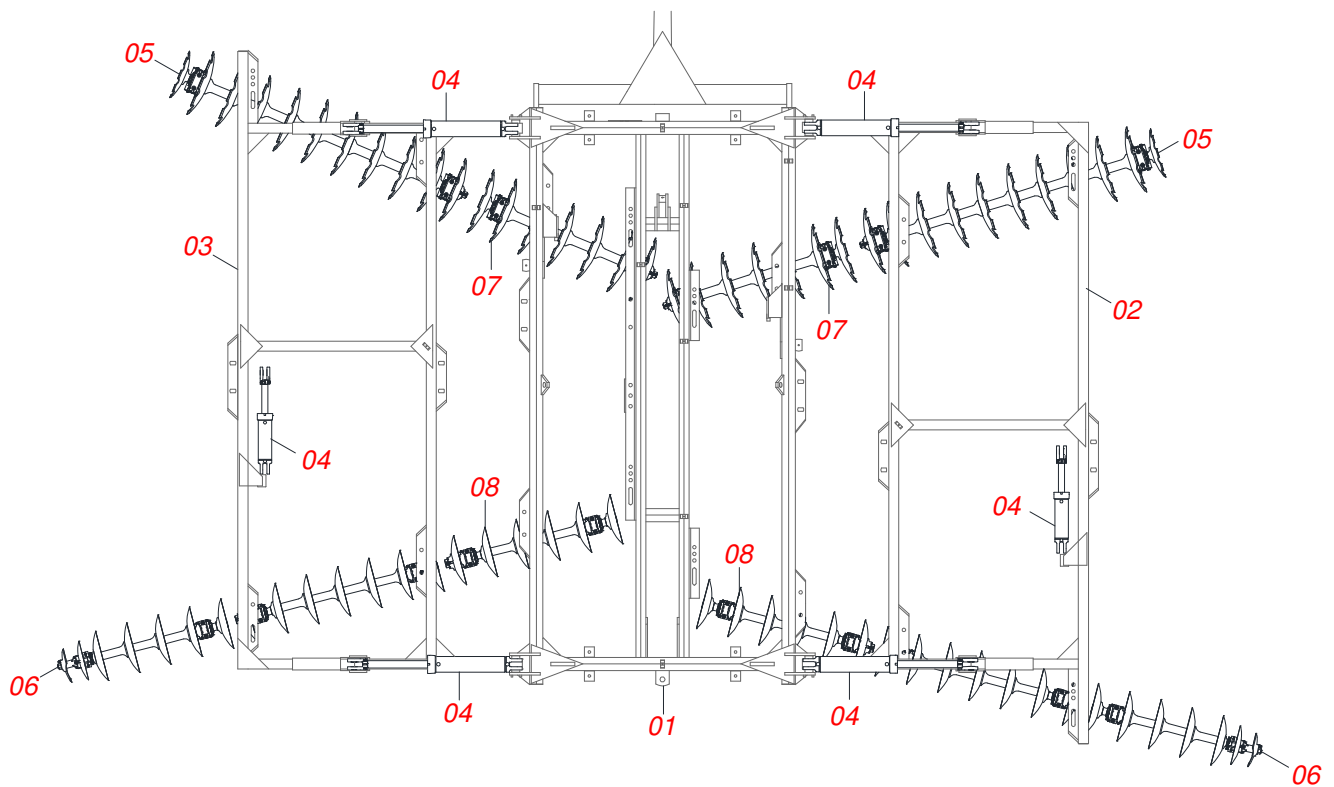
MARCHESAN S/A RESERVES THE RIGHT AT ANY TIME TO MAKE IMPROVEMENTS IN THE DESIGN, MATERIAL OR SPECIFICATIONS OF MACHINERY, EQUIPMENT OR PARTS WITHOUT THEREBY BECOMING LIABLE TO MAKE SIMILAR CHANGES IN MACHINERY, EQUIPMENT OR PARTS PREVIOUSLY SOLD.

INDEX

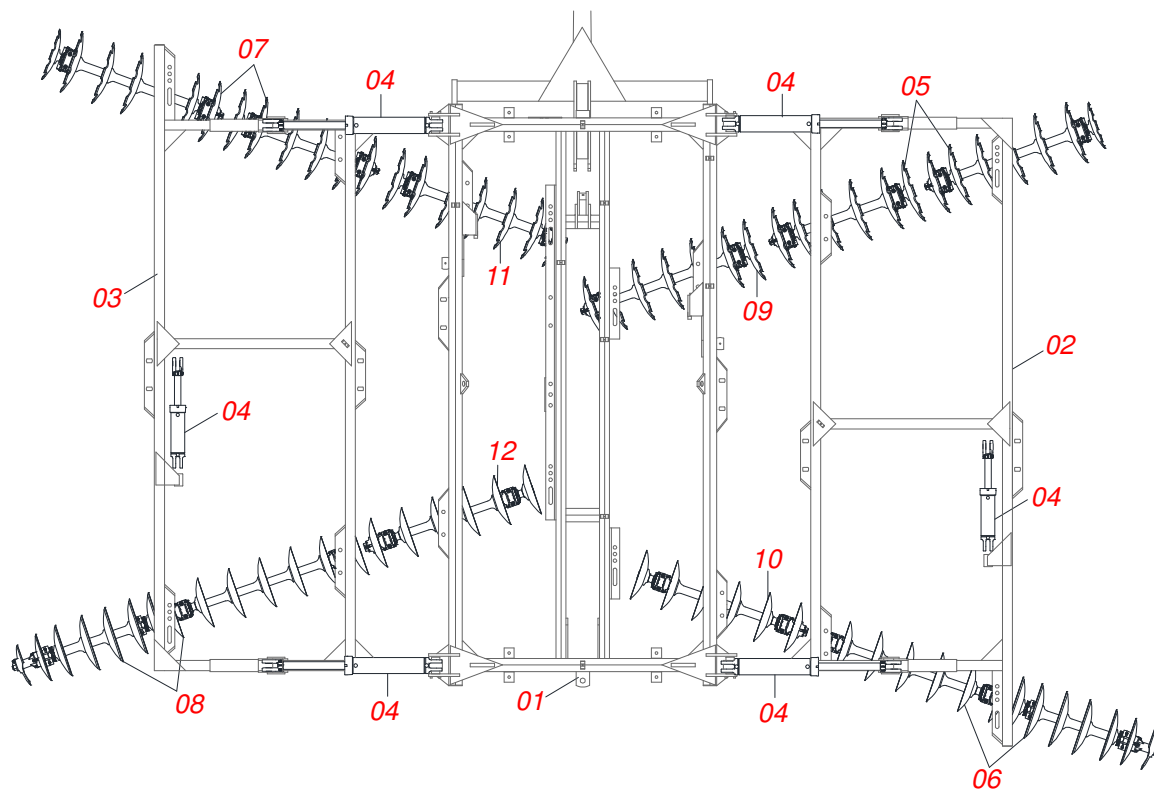
0909094314	GTLD QL 68	1
0909094315	GTLD QL 72/76	2
0909094259	GTLD QL 80	3
0909091388	CENTRAL FRAME 68/72/76/80	4
0909094306	RIGHT SIDE FRAME 68/72/76/80	5
0909094307	LEFT SIDE FRAME 68/72/76/80	6
0503062157	HEADER JACK	7
0501040257	3/4 X 1200 HOSE HOLDER A	8
0501044204	ESTABILIZER ASSY	9
0501051631	STUB SHAFT & HUB ASSY	10
0501045162	CARRYING WHEELS ESTABILIZER ASSY	11
0501047912	HYDRAULIC CYLINDER	12
0511058298	HYDRAULIC CYLINDER	13
0521045636	HYDRAULIC CYLINDER	14
0909091355	HYDRAULIC CIRCUIT 68 72 76 80 GTD GTLD	15
0909094255	GANG DISCS FRONT SIDE 68	16
0909094256	GANG DISCS REAR SIDE 68	17
0909094257	FRONT CENTER DISC SECTION 68	18
0909094258	REAR CENTRAL DISC SECTION 68	19
0909094261	GANG DISCS FRONT SIDE 72 76	20
0909094262	GANG DISCS REAR SIDE 72/76	21
0909094263	FRONT CENTER DISC SECTION 72 76	22
0909094264	REAR CENTRAL DISC SECTION 72 76	23
0909094265	FRONT DISC SECTION LEFT SIDE 80	24
0909094269	CENTRAL LEFT FRONT DISC SECTION 80	25
0909094270	CENTRAL FRONT SECTION LEFT 80	26
0909094266	FRONT DISC SECTION RIGHT SIDE 80	27
0909094267	LEFT SIDE REAR DISC SECTION 80	28
0909094272	LEFT CENTRAL REAR SECTION 80	29
0909094271	CENTRAL RIGHT REAR SECTION 80	30
0909094268	SIDE REAR SECTION RIGHT 80	31



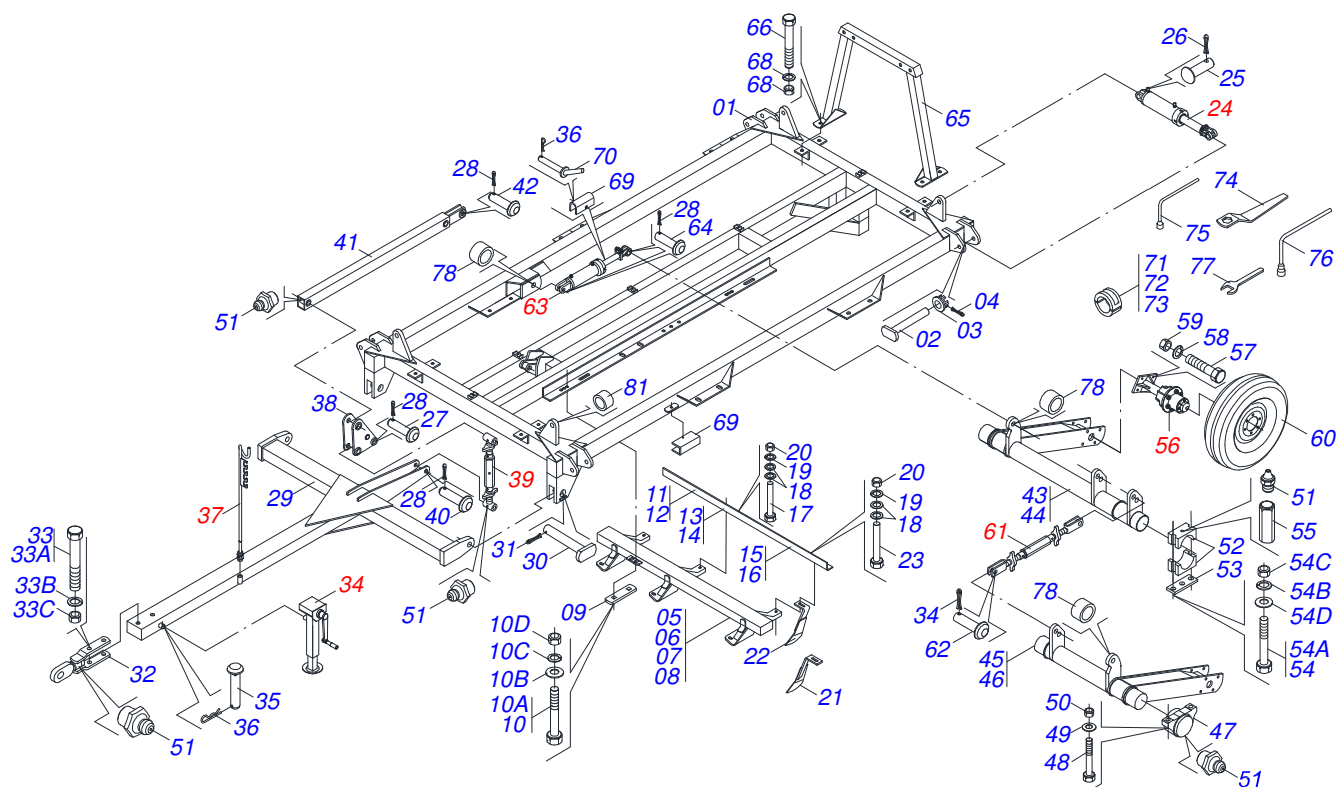
Item	Code	Description	QT
01	0909091388	CENTRAL FRAME 68/72/76/80	
02	0909094306	RIGHT SIDE FRAME 68/72/76/80	
03	0909094307	LEFT SIDE FRAME 68/72/76/80	
04	0909091355	HYDRAULIC CIRCUIT 68 72 76 80 GTD GTLD	
05	0909094255	GANG DISCS FRONT SIDE 68	
06	0909094256	GANG DISCS REAR SIDE 68	
07	0909094257	FRONT CENTER DISC SECTION 68	
08	0909094258	REAR CENTER DISC SECTION 68	



Item	Code	Description	QT
01	0909091388	CENTRAL FRAME 68/72/76/80	
02	0909094306	RIGHT SIDE FRAME 68/72/76/80	
03	0909094307	LEFT SIDE FRAME 68/72/76/80	
04	0909091355	HYDRAULIC CIRCUIT 68 72 76 80 GTD GTLD	
05	0909094261	GANG DISCS FRONT SIDE 72 76	
06	0909094262	GANG DISCS REAR SIDE 72/76	
07	0909094263	FRONT CENTER DISC SECTION 72 76	
08	0909094264	REAR CENTRAL DISC SECTION 72 76	



Item	Code	Description	QT
01	0909091388	CENTRAL FRAME 68/72/76/80	
02	0909094306	RIGHT SIDE FRAME 68/72/76/80	
03	0909094307	LEFT SIDE FRAME 68/72/76/80	
04	0909091355	HYDRAULIC CIRCUIT 68 72 76 80 GTD GTLD	
05	0909094266	FRONT DISC SECTION RIGHT SIDE 80	
06	0909094268	SIDE REAR SECTION RIGHT 80	
07	0909094265	FRONT DISC SECTION LEFT SIDE 80	
08	0909094267	LEFT SIDE REAR DISC SECTION 80	
09	0909094270	CENTRAL FRONT SECTION LEFT 80	
10	0909094271	CENTRAL RIGHT REAR SECTION 80	
11	0909094269	CENTRAL LEFT FRONT DISC SECTION 80	
12	0909094272	LEFT CENTRAL REAR SECTION 80	



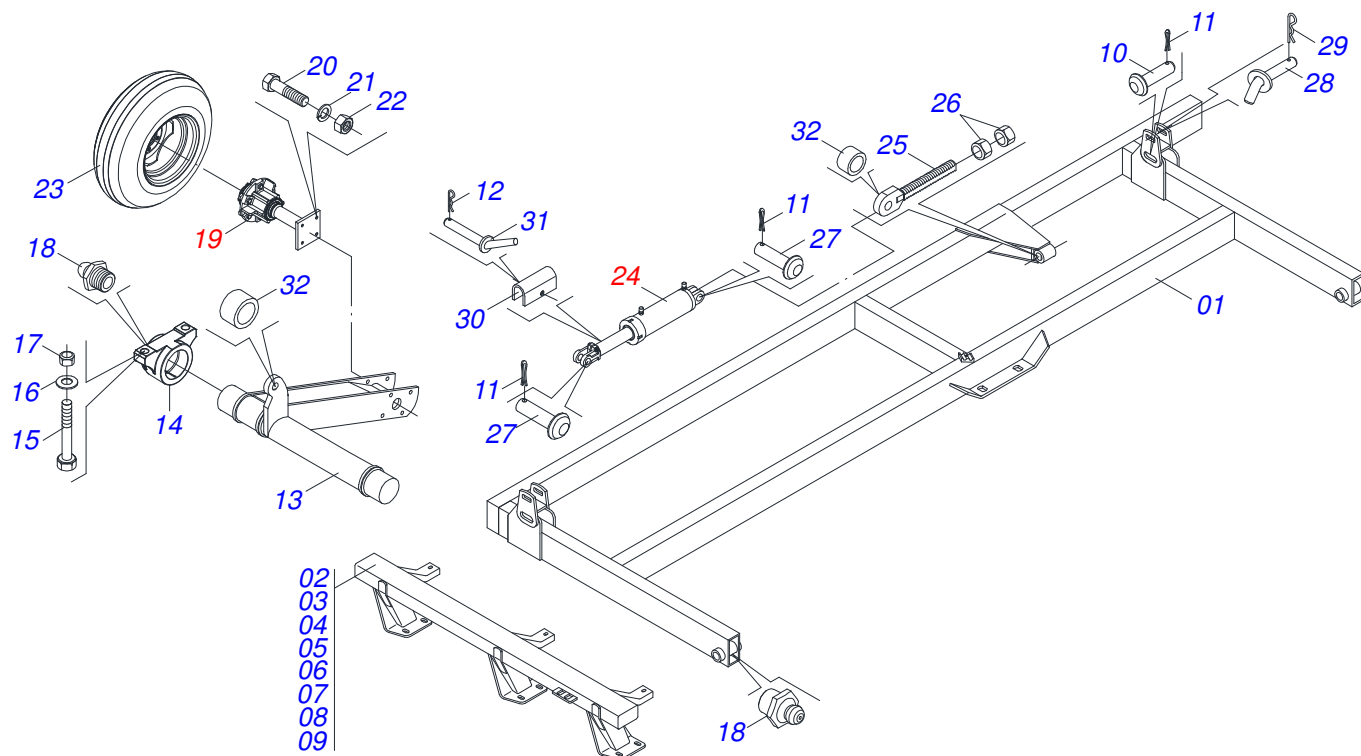
Item	Code	Description	68 72 76 80
01	0511043879	FRAME CENTRAL GTLD-QL 56A80	01 01 01 01
02	0511010703	PIVOT SHAFT	04 04 04 04
03	0501011301	1.1/2 UNC 6FPP 2.5/16 NUT	04 04 04 04
04	0503010010	1/4" X 2.1/2" COTTERPIN	04 04 04 04
05	0501067444	RIGHT FRONT CENTRAL FRAME	01 01 01 01
06	0501067445	LEFT FRONT CENTRAL FRAME	01 01 01 01
07	0501067446	RIGHT CENTRAL REAR FRAME	01 01 01 01
08	0501067447	LEFT CENTRAL REAR FRAME	01 01 01 01
09	0511013056	FIXING BASE FRAME	16 16 16 16
10	0511042229	1" X 6" BOLT	32 32 32 32
10A	0503013113	1" X 6" BOLT	32 32 32 32
10B	0501010065	1" SPRING WASHER	32 32 32 32
10C	0503010012	1" SPRING WASHER	32 32 32 32
10D	0501010059	1.5/8 NUT	32 32 32 32
11	0511012597	2170 BAR FIX SCRAPER	02 00 00 00
12	0511013546	2630 BAR FIXER SCRAPER	02 00 02 00
13	0511012604	1250 BAR FIX SCRAPER	02 04 02 04
14	0511012596	1480 FIX BAR SCRAPER	02 04 06 06
15	0511013545	2400 BAR FIXER SCRAPER	00 02 00 00
16	0511012595	1710 BAR FIX SCRAPER	00 00 02 00
17	0503010740	1/2" X 2" BOLT	20 22 22 24
18	0511017302	FLAT WASHER	140 148 156 164
19	0503010019	1/2" SPRING WASHER	70 74 78 82
20	0503010060	1/2" NUT	70 74 78 82
21	0501067394	LH FRONT/RH REAR SCRAPER	34 37 39 41
22	0501067395	LH FRONT/RH REAR SCRAPER	34 37 39 41
23	0503011082	C1/2" X 1.3/4" BOLT	50 52 56 58
24	0501043265	HYDRAULIC CYLINDER 610	04 04 04 04
25	0521010576	0.9" X 3.7" COUPLING SHAFT	04 04 04 04
26	0503010571	1/4" X 1.1/2 COTTERPIN	04 04 04 04
27	0501019719	1.1/4" X 155MM COUPLING SHAFT	03 03 03 03
28	0503010523	1/4" X 2" COTTERPIN	11 11 11 11
29	0501066067	DRAWBAR	01 01 01 01



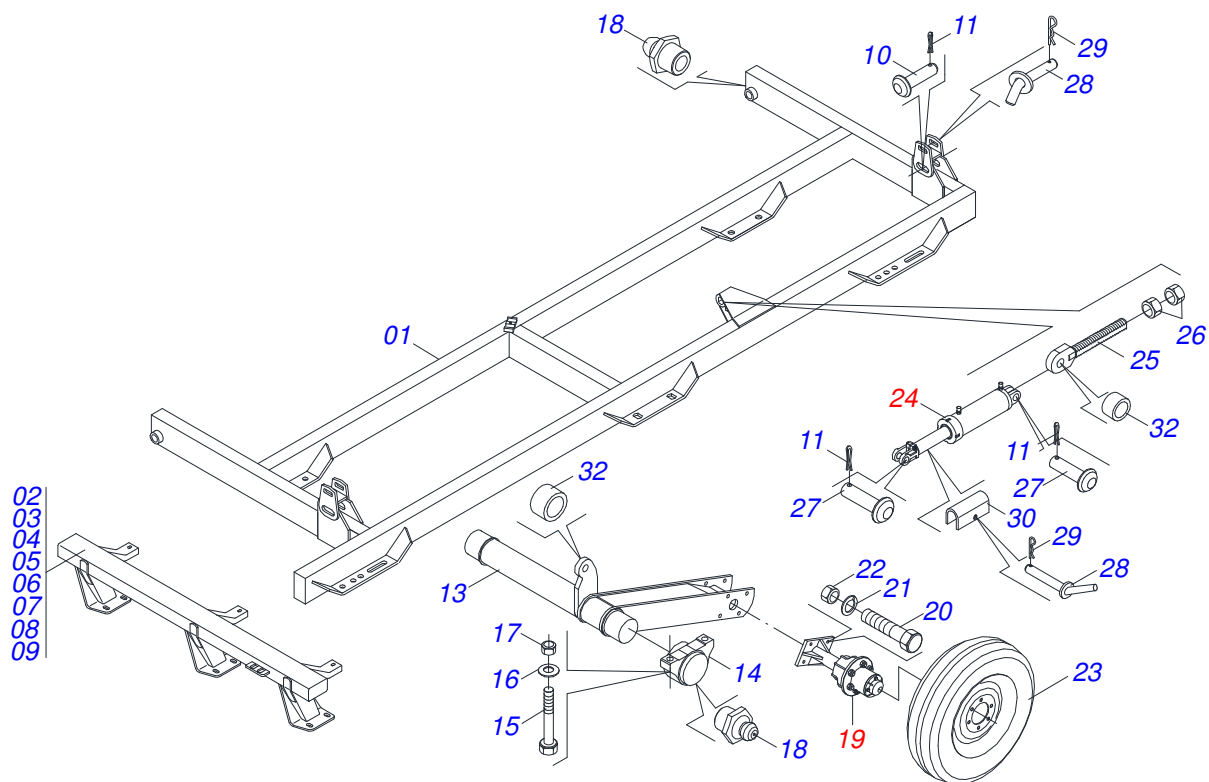
CENTRAL FRAME 68/72/76/80

0909091388

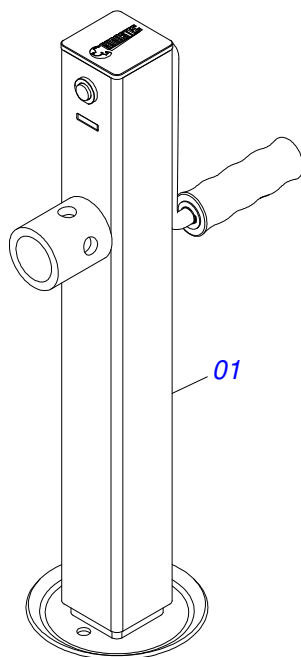
Item	Code	Description	68	72	76	80
30	0521010620	1.5" X 4.6" COUPLING SHAFT	02	02	02	02
31	0503010534	3/8 X 2-1/2 COTTERPIN	02	02	02	02
32	0501065901	TRACTOR HITCH	01	01	01	01
33	0501041894	1" X 7" ASSY BOLT	02	02	02	02
33A	0501010334	1" X 7" BOLT	02	02	02	02
33B	0503011438	SPRING WASHER	02	02	02	02
33C	0501010059	1.5/8 NUT	02	02	02	02
34	0503062157	HEADER JACK	01	01	01	01
35	0521010549	COUPLING SHAFT	01	01	01	01
36	0503030168	HAIR PIN	03	03	03	03
37	0501040257	3/4 X 1200 HOSE HOLDER A	01	01	01	01
38	0501065531	ROCKER ARM	01	01	01	01
39	0501044204	ESTABILIZER ASSY	01	01	01	01
40	0521010546	1.2" X 5.7" COUPLING SHAFT	01	01	01	01
41	0501067527	STABILIZER BAR	01	01	01	01
42	0521010780	1.2" X 4.5" COUPLING SHAFT	01	01	01	01
43	0501069059	RH CARRYING-WHEELS SUPPORT	01	01	01	01
44	0501069060	LH CARRYING-WHEELS SUPPORT	01	01	01	01
45	0501066256	RH SIDE CARRYING WHEELS ASSY	01	01	01	01
46	0501066257	LH SIDE CARRYING WHEELS ASSY	01	01	01	01
47	0502010972	ARTICULACION BEARING	07	07	07	07
48	0503011432	1" X 4" BOLT	10	10	10	10
49	0501010065	1" SPRING WASHER	10	10	10	10
50	0501010059	1.5/8 NUT	24	24	24	24
51	0503010002	1800 GREASE FITTING	14	14	14	14
52	0502010673	BEARING SEMI	02	02	02	02
53	0501015593	SUPPORT PLATE	01	01	01	01
54	0501042309	1" X 9" AR ASSY BOLT	02	02	02	02
54A	0501010064	1" X 9" BOLT	02	02	02	02
54B	0503010012	1" SPRING WASHER	02	02	02	02
54C	0501010059	1.5/8 NUT	02	02	02	02
55	0501019757	EXTENSION GREASE FITTING	02	02	02	02
56	0501051631	STUB SHAFT & HUB ASSY	08	08	08	08
57	0503010899	5/8" X 2-1/4" BOLT	32	32	32	32
58	0503010027	SPRING WASHER	32	32	32	32
59	0503010013	5/8" NUT	32	32	32	32
60	0503060091	L29.5"X0.63"-10L WHEEL AND	08	08	08	08
61	0501045162	CARRYING WHEELS ESTABILIZER ASSY	01	01	01	01
62	0521010778	1.25" X 3.15" COUPLING SHAFT	02	02	02	02
63	0521045636	HYDRAULIC CYLINDER	02	02	02	02
64	0521012538	1.2" X 3.5" COUPLING SHAFT	08	08	08	08
65	0501066242	BEATER CENTRAL	02	02	02	02
66	0501010098	HEX BOLT 3/4 UNC X 2 C S G.5 ZN	08	08	08	08
67	0503010023	SPRING WASHER	08	08	08	08
68	0503010014	3/4" NUT	08	08	08	08
69	0511010839	TRANSPORT LOCK 7.9" X 2.1" X 0.4"	02	02	02	02
70	0501068994	0.3" X 3.1" LOCK PIN	02	02	02	02
71	0501047895	ROD STOP	02	02	02	02
72	0501047885	ROD STOP	02	02	02	02
73	0501047887	ROD STOP	02	02	02	02
74	0501011432	1-1/2" AND 1-5/8 GANG BOLT WRENCH	02	02	02	02
75	0501061045	1" WRENCH CYLINDRICAL	01	01	01	01
76	0501068273	5/8" WRENCH	01	01	01	01
77	0511010153	2-5/16" FIXED WRENCH	01	01	01	01
78	0511019921	1.3" X 0.1" X 1" SLEEVE	08	08	08	08



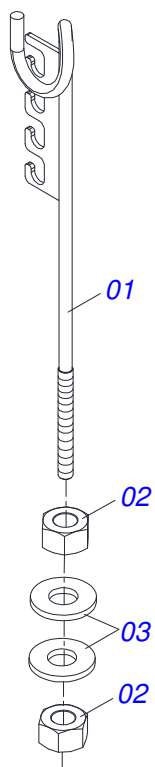
Item	Code	Description	68 72 76 80
01	0501066254	RH FRAME CENTRAL GTLD 68 A 80	01 01 01 01
02	0501067448	LEFT SIDE REAR FRAME	01 00 00 00
03	0501067450	RH LATERAL REAR FRAME	01 00 00 00
04	0501067871	RIGTHLATERAL FRONT FRAME	00 01 00 00
05	0501067873	RIGHT SIDE FRAME	00 01 00 00
06	0501067875	RIGTH SIDE REAR FRAME	00 00 01 00
07	0501067877	RIGHT SIDE FRAME	00 00 01 00
08	0501067452	LEFT SIDE REAR FRAME	00 00 00 01
09	0501067454	RIGHT REAR FRAME	00 00 00 01
10	0501019719	1.1/4" X 155MM COUPLING SHAFT	03 03 03 03
11	0503010523	1/4" X 2" COTTERPIN	04 04 04 04
12	0503030168	HAIR PIN	01 01 01 01
13	0501066256	RH SIDE CARRYING WHEELS ASSY	01 01 01 01
14	0502010972	ARTICULACION BEARING	01 01 01 01
15	0503011432	1" X 4" BOLT	02 02 02 02
16	0501010065	1" SPRING WASHER	02 02 02 02
17	0501010059	1.5/8 NUT	02 02 02 02
18	0503010002	1800 GREASE FITTING	03 03 03 03
19	0501051631	STUB SHAFT & HUB ASSY	02 02 02 02
20	0503010899	5/8" X 2-1/4" BOLT	08 08 08 08
21	0503010027	SPRING WASHER	08 08 08 08
22	0503010013	5/8" NUT	08 08 08 08
23	0503060091	L29.5"X0.63"-10L WHEEL AND	08 08 08 08
24	0511058298	HYDRAULIC CYLINDER	01 01 01 01
25	0501063989	HYDRAULIC CYLINDER REGULATOR	01 01 01 01
26	0501010110	1.1/2" NUT	02 02 02 02
27	0521012538	1.2" X 3.5" COUPLING SHAFT	02 02 02 02
28	0501069081	19,05 X 150 LOCK PIN	02 02 02 02
29	0503030012	HAIR PIN	02 02 02 02
30	0511010839	TRANSPORT LOCK 7.9" X 2.1" X 0.4"	01 01 01 01
31	0501068994	0.3" X 3.1"LOCK PIN	01 01 01 01
32	0511019921	1.3" X 0.1" X 1" SLEEVE	02 02 02 02



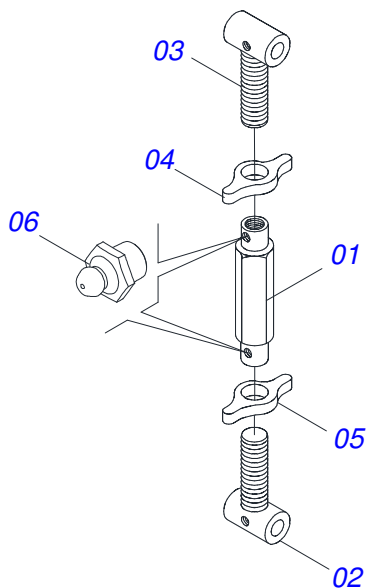
Item	Code	Description	QT
01	0501066255	FRAME SIDE LEFT GTLD 68 A 80	01 01 01 01
02	0501067449	LEFT SIDE REAR FRAME	01 00 00 00
03	0501067451	LEFT SIDE REAR FRAME	01 00 00 00
04	0501067872	LEFT SIDE REAR FRAME	00 01 00 00
05	0501067874	LEFT SIDE REAR FRAME	00 01 00 00
06	0501067876	LEFT SIDE REAR FRAME	00 00 01 00
07	0501067878	LEFT SIDE REAR FRAME	00 00 01 00
08	0501067453	LEFT SIDE REAR FRAME	00 00 00 01
09	0501067455	LEFT SIDE REAR FRAME	00 00 00 01
10	0501019719	1.1/4" X 155MM COUPLING SHAFT	03 03 03 03
11	0503010523	1/4" X 2" COTTERPIN	04 04 04 04
12	0503030168	HAIR PIN	01 01 01 01
13	0501066257	LH SIDE CARRYING WHEELS ASSY	01 01 01 01
14	0502010972	ARTICULACION BEARING	01 01 01 01
15	0503011432	1" X 4" BOLT	02 02 02 02
16	0501010065	1" SPRING WASHER	02 02 02 02
17	0501010059	1.5/8 NUT	02 02 02 02
18	0503010002	1800 GREASE FITTING	03 03 03 03
19	0501051631	STUB SHAFT & HUB ASSY	02 02 02 02
20	0503010899	5/8" X 2-1/4" BOLT	08 08 08 08
21	0503010027	SPRING WASHER	08 08 08 08
22	0503010013	5/8" NUT	08 08 08 08
23	0503060091	L29.5"X0.63"-10L WHEEL AND	08 08 08 08
24	0511058298	HYDRAULIC CYLINDER	01 01 01 01
25	0501063989	HYDRAULIC CYLINDER REGULATOR	01 01 01 01
26	0501010110	1.1/2" NUT	02 02 02 02
27	0521012538	1.2" X 3.5" COUPLING SHAFT	02 02 02 02
28	0501069081	19,05 X 150 LOCK PIN	02 02 02 02
29	0503030012	HAIR PIN	02 02 02 02
30	0511010839	TRANSPORT LOCK 7.9" X 2.1" X 0.4"	01 01 01 01
31	0501068994	0.3" X 3.1" LOCK PIN	01 01 01 01
32	0511019921	1.3" X 0.1" X 1" SLEEVE	02 02 02 02



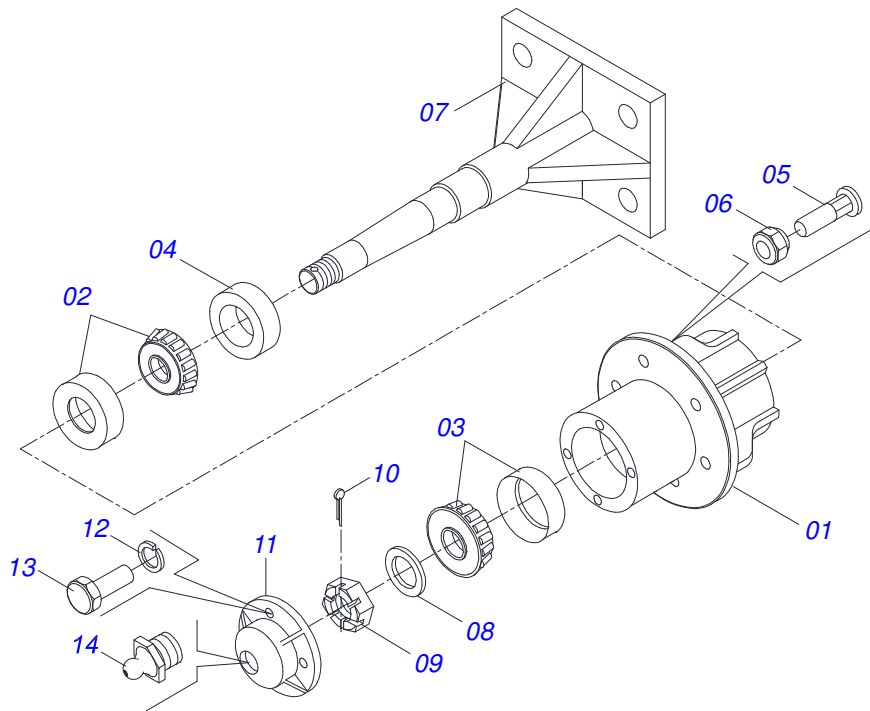
Item	Code	Description	QT
01	0503062157	HEADER JACK	01



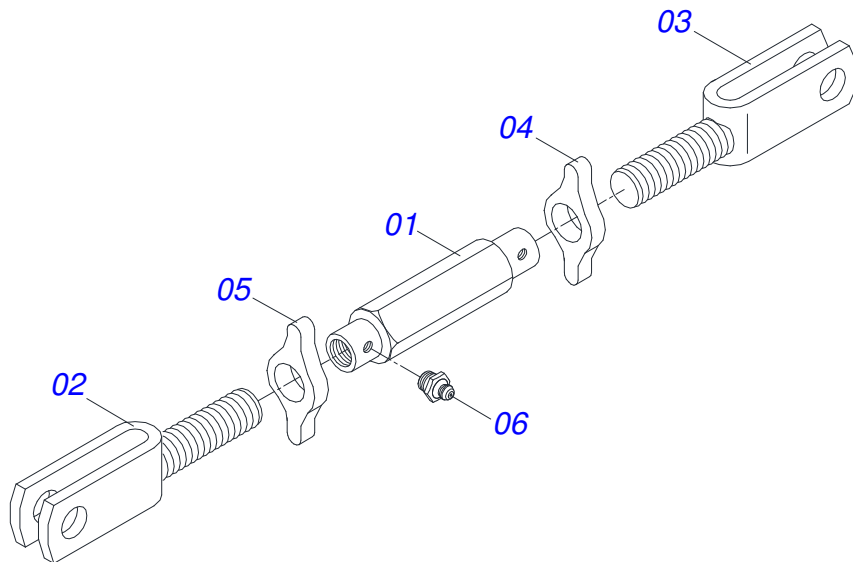
Item	Code	Description	QT
01	0511067334	HOSE SOPPORT ASSY	01
02	0503010014	3/4" NUT	02
03	0501010322	FLAT WASHER	02



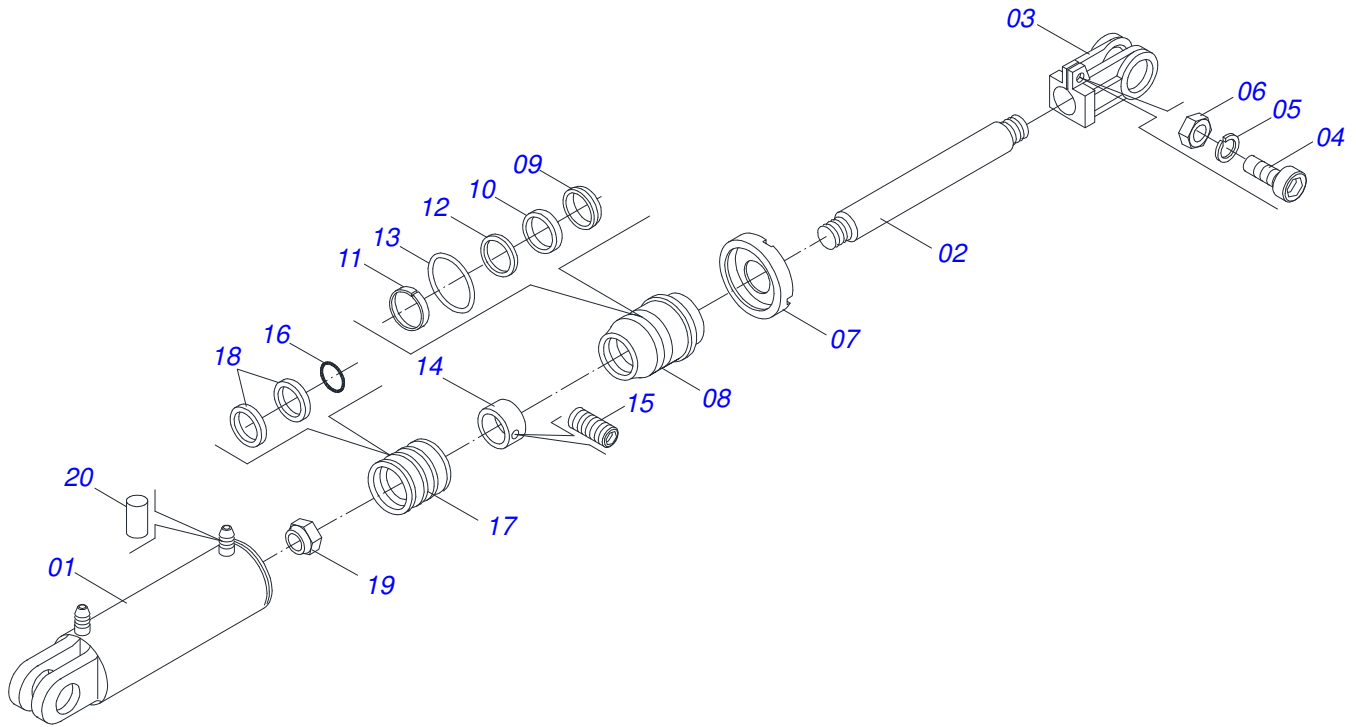
Item	Code	Description	
01	0502011195	ADJUSTMENT NUT BODY	01
02	0501064002	LEFT JACK CRANK	01
03	0501064001	RIGHT JACK CRANK	01
04	0541018672	COUNTERNUT	01
05	0541018673	COUNTERNUT	01
06	0503010002	1800 GREASE FITTING	02



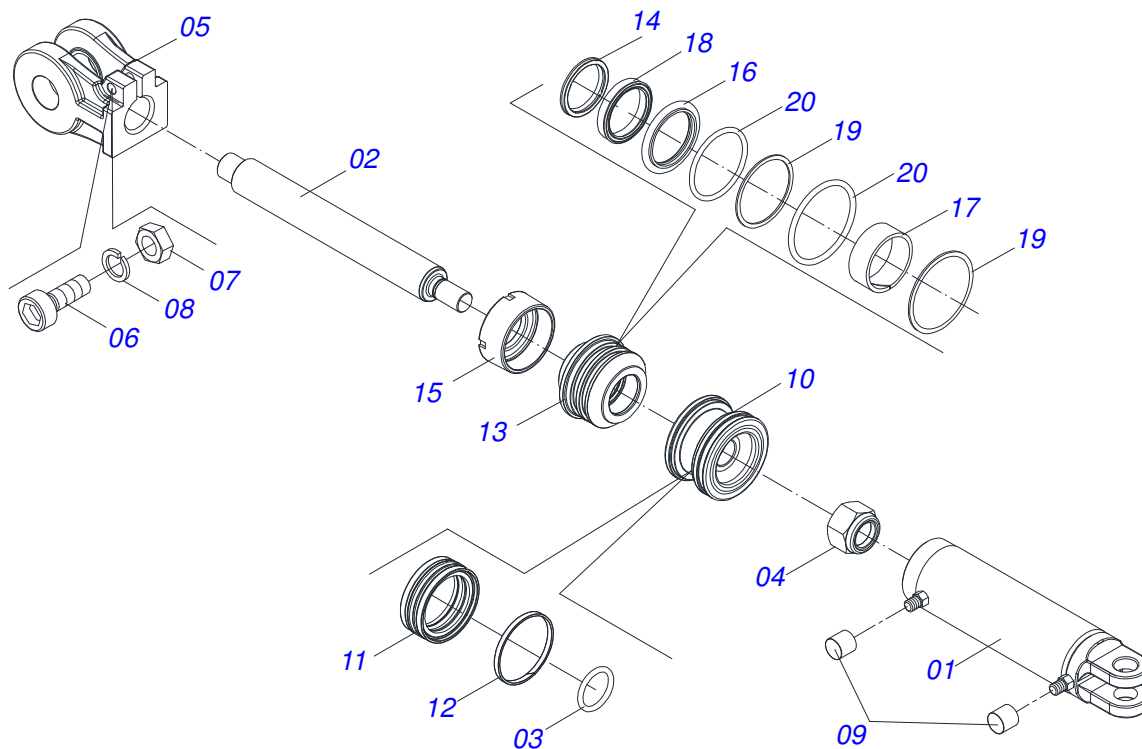
Item	Code	Description	QT
01	0502011121	CARRYING WHEEL HUB	01
02	0503010006	32210 ROLLER BEARING	01
03	0503010037	30207 ROLLER BEARING	01
04	0503012928	SEAL	01
05	0501010127	9/16" X 1-7/8" LUG BOLT	06
06	0503010035	9/16" CONIC NUT	06
07	0501069087	CARRYING-WHEEL FIXATION SUPPORT	01
08	0501016545	FLAT WASHER	01
09	0503030009	1" CASTLE NUT	01
10	0503010018	5/32 X 1-1/2 COTTERPIN	01
11	0502020591	PROTECCION COVER	01
12	0503011444	SPRING WASHER	04
13	0503010358	5/16" X 5/8" BOLT	04
14	0503010002	1800 GREASE FITTING	01



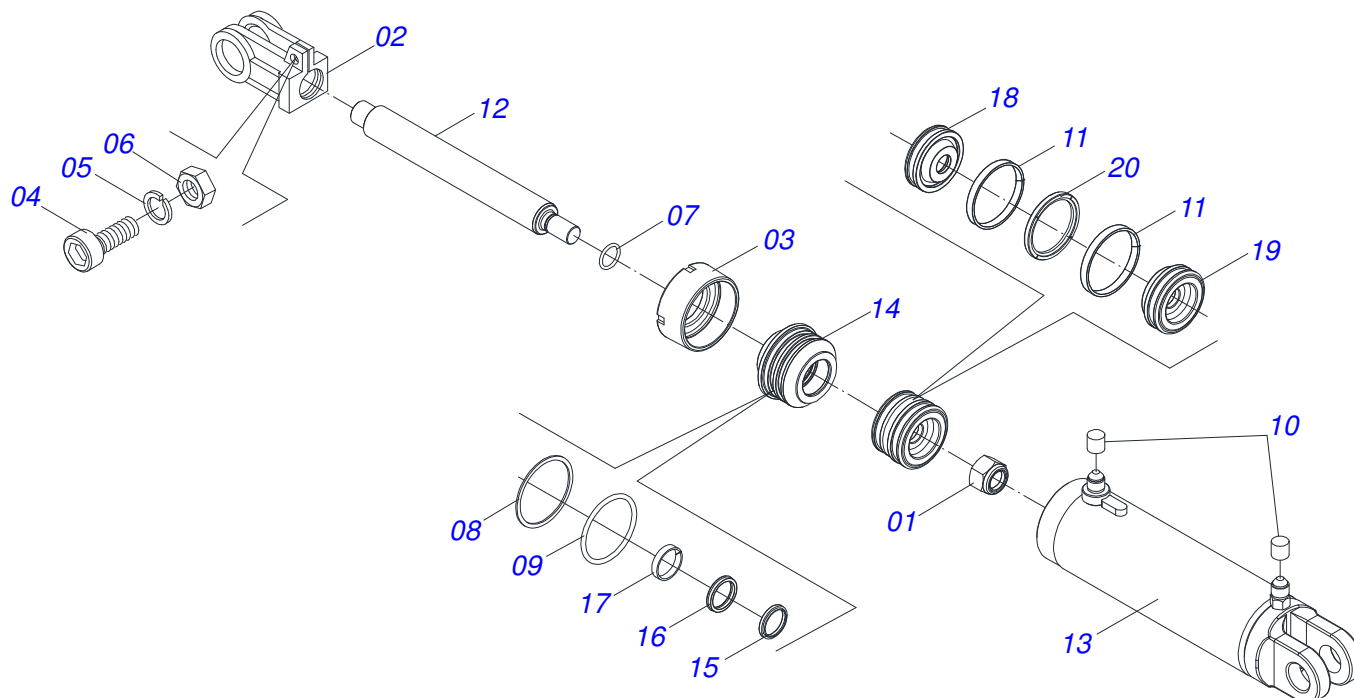
Item	Code	Description	QT
01	0502011195	ADJUSTMENT NUT BODY	01
02	0501066930	LEFT TURNBUCKLE	01
03	0501066931	RIGTH TURNBUCKLE	01
04	0541018672	COUNTERNUT	02
05	0541018673	COUNTERNUT	02
06	0503010002	1800 GREASE FITTING	04



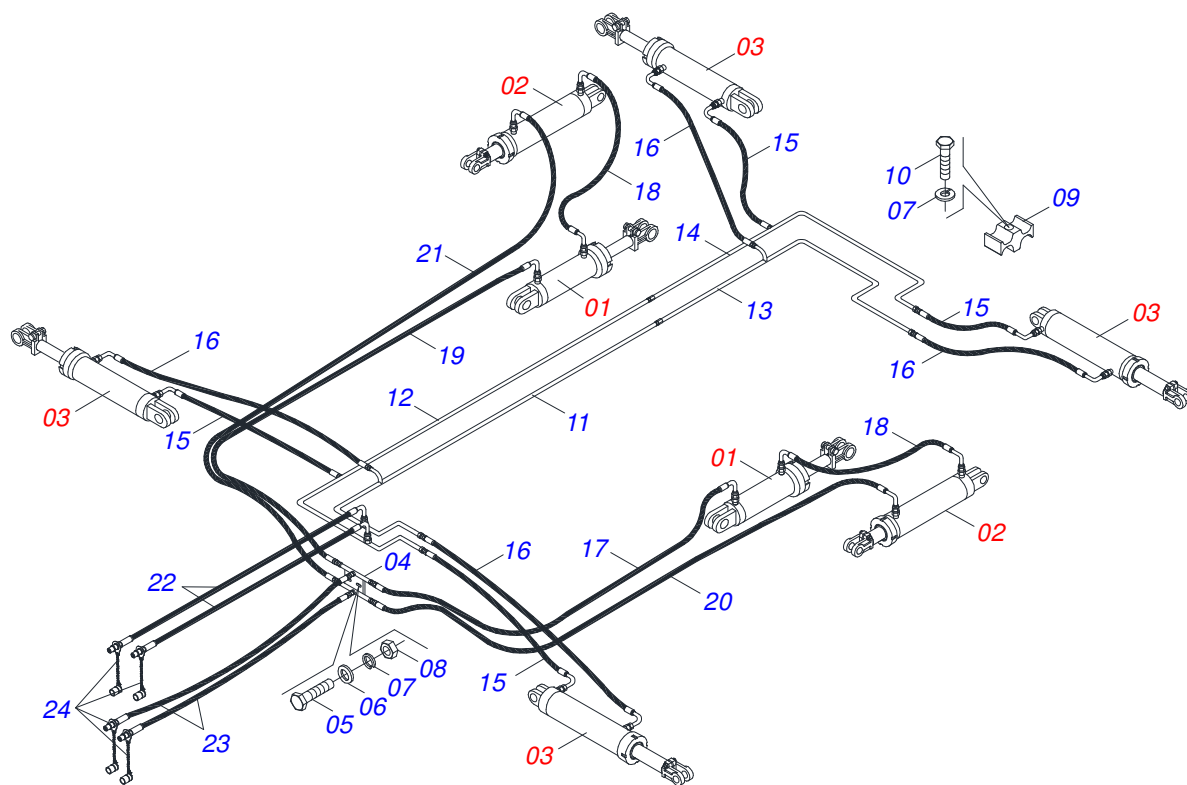
Item	Code	Description	QT
01	0501067324	4" X 24" CYLINDER CASE	01
02	0511017801	2"X 29.33" TURNBUCLE	01
03	0502040747	FORK	01
04	0503011094	3/8" X 2" BOLT C C S I 12.9	01
05	0503010025	3/8 SPRING WASHER	01
06	0503010026	3/8" NUT	01
07	0502010017	4" HEAD	01
08	0502010523	2" X 4" RING SUPPORT	01
09	0503010039	D-2000 SCRAPER RING	01
10	0503010991	PACKING 1870-2000-375-B	01
11	0503010952	W2-2250-500 PK RING G.E	01
12	0503011061	8-342 BACK-UP RING	01
13	0503010338	2-342 N 3006-9B O'RING	01
14	0511018114	51 X 3 X 25 BUSHING	01
15	0503011148	3/8" X 1/2" BOLT	01
16	0503010345	2-218 N 3006-9B O'RING	01
17	0502010682	2"X4" PISTON	01
18	0503010043	PACKING 3750-3250	02
19	0503010044	1-1/4" SELF-ADJUSTING NUT	01
20	0503030385	PLUG	02
21	0501031248	HYDRAULIC CYLINDER REPAIR KIT	01



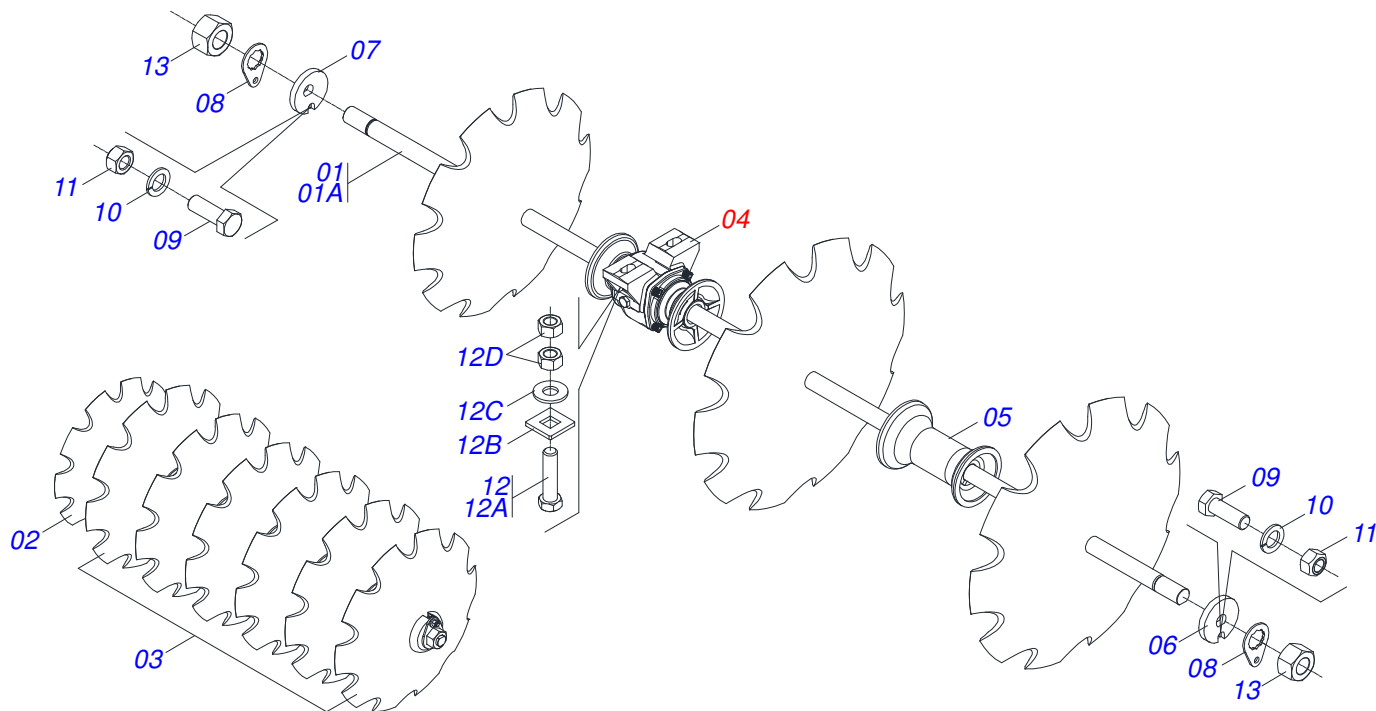
Item	Code	Description	QT
001	0511061588	3.4" X 16" CYLINDER CASE	01
002	0521010421	HYDRAULIC CYLINDER TURNBUCKLE	01
003	0503010042	2-214 N 3006-9B O'RING	01
004	0503010063	1" SELF-ALIGNING NUT	01
005	0502040747	FORK	01
006	0503011094	3/8" X 2" BOLT C C S I 12.9	01
007	0503010026	3/8" NUT	01
008	0503010025	3/8 SPRING WASHER	01
009	0503030385	PLUG	02
010	0571019710	1.7" X 3.4" PISTON	01
011	0503017935	RING	01
012	0503018144	RING	01
013	0571019711	RING SUPPORT	01
014	0503010761	D-1750 SCRAPER RING	01
015	0571019709	DETACHABLE COVER	01
016	0503017936	RING	01
017	0503017938	RING GUIDE	01
018	0503017937	GASKET	01
019	0503017940	8-337 BACK-UP RING	02
020	0503017939	2-337 N 3006-9B O' RING	02



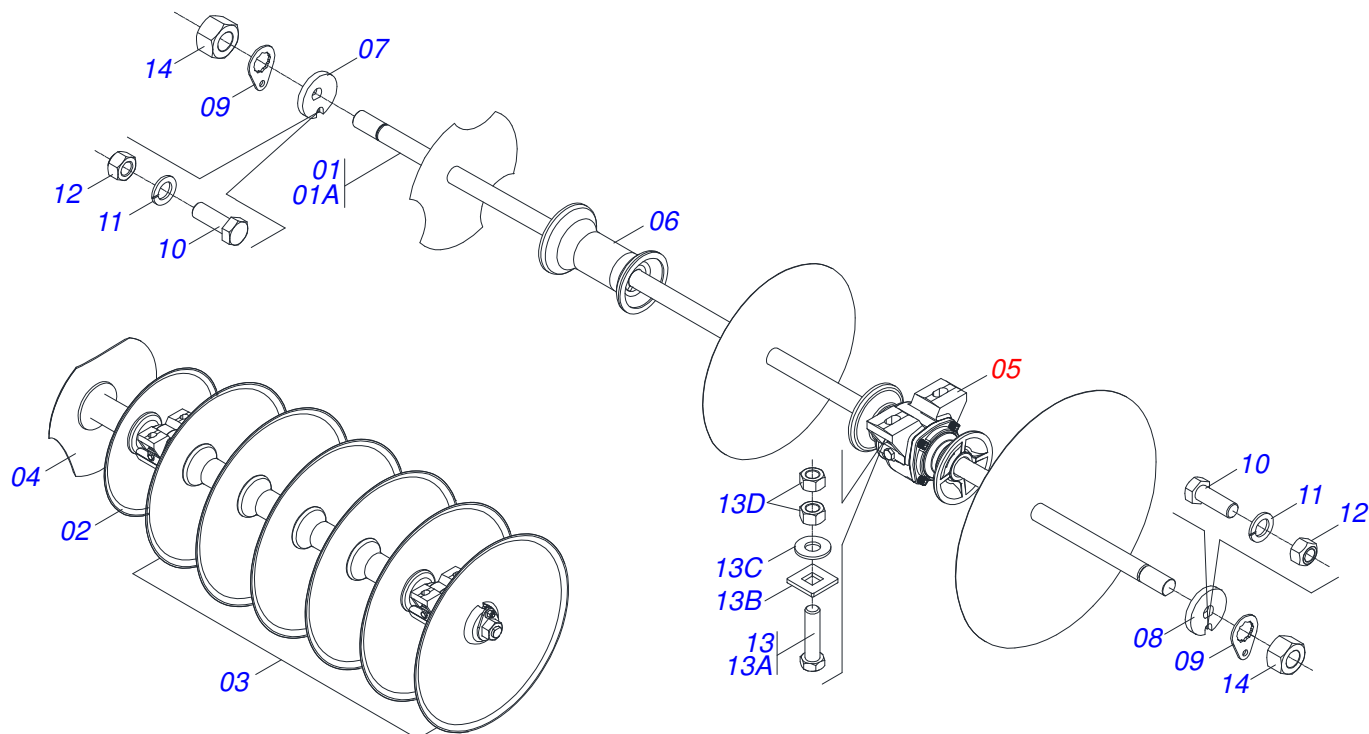
Item	Code	Description	QT
001	0503010817	1-1/4" SELF-ADJUSTING NUT	01
002	0502040747	FORK	01
003	0502010017	4" HEAD	01
004	0503011094	3/8" X 2" BOLT C C S I 12.9	01
005	0503011443	SPRING WASHER	01
006	0503010026	3/8" NUT	01
007	0503010345	2-218 N 3006-9B O-RING	01
008	0503010338	2-342 N 3006-9B O-RING	01
009	0503011061	8-342 BACK-UP RING	01
010	0503030385	PLUG	02
011	0503017889	RING GUIDE	02
012	0531018245	EXTENDING BODY	01
013	0521066149	CYLINDER CASE	01
014	0502011250	RING OF SUPPORT	01
015	0503015715	SCRAPER SEALING	01
016	0503015642	U-CUP SEALING	01
017	0503010973	W2-2500-500 PK O-RING G.E	01
018	0581012601	PISTON	01
019	0581012602	PISTON	01
020	0503018651	SEALING	01



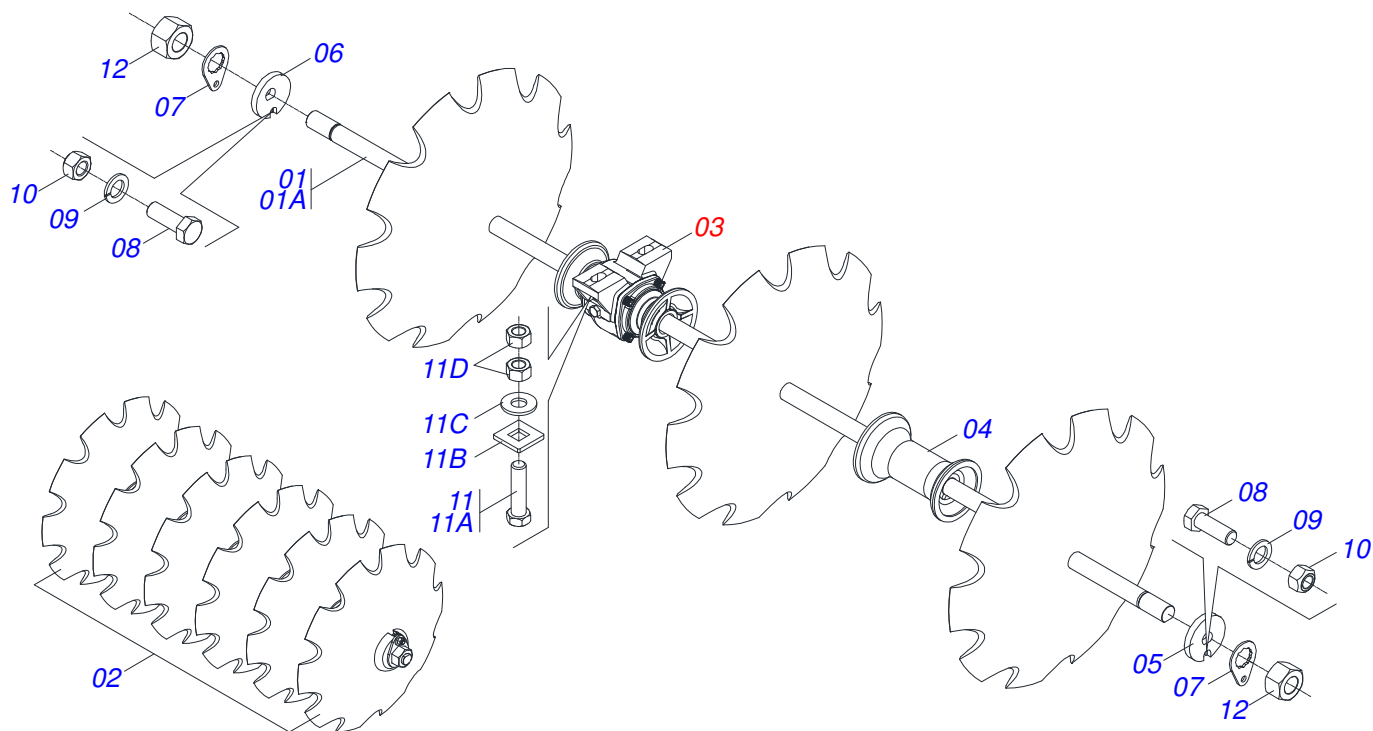
Item	Code	Description	68 72 76 80
01	0521045636	HYDRAULIC CYLINDER	02 02 02 02
02	0511058298	HYDRAULIC CYLINDER	02 02 02 02
03	0501043265	HYDRAULIC CYLINDER 610	04 04 04 04
04	0501068706	DOUBLE CONNECTION	01 01 01 01
05	0503010237	3/8" X 1" BOLT	02 02 02 02
06	0511017302	FLAT WASHER	02 02 02 02
07	0503010025	3/8 SPRING WASHER	14 14 14 14
08	0503010026	3/8" NUT	02 02 02 02
09	0502012702	BODY SUPPORT CLAMP	12 12 12 12
10	0503012555	7/16" X 2" BOLT	12 12 12 12
11	0501066264	INNER FRONT OIL TUBE	01 01 01 01
12	0501066265	OUTER FRONT OIL TUBE	01 01 01 01
13	0501066266	INNER REAR OIL TUBE	01 01 01 01
14	0501066267	OUTER REAR OIL TUBE	01 01 01 01
15	0501080328	3/8" X 29" TR-TC HOSE	04 04 04 04
16	0501080436	TR-TC HOSE ASSY	04 04 04 04
17	0501080359	3/8" X 78.7" TR-TC HOSE ASSY	01 01 01 01
18	0501080448	3/8" X 110.23" TC-TC HOSE ASSY	02 02 02 02
19	0501080447	3/8" X 122" TR-TC HOSE ASSY	01 01 01 01
20	0501080418	3/8" X 165" TR-TC HOSE ASSY	01 01 01 01
21	0501081093	3/8" X 188.9" TR-TC HOSE ASSY	01 01 01 01
22	0501080361	3/8" X 157" TR-TM HOSE ASSY	02 02 02 02
23	0501080422	3/8" X 157" TC-TM HOSE ASSY	02 02 02 02
24	0501053834	QUICK CONECTION (MALE) 1/2	04 04 04 04



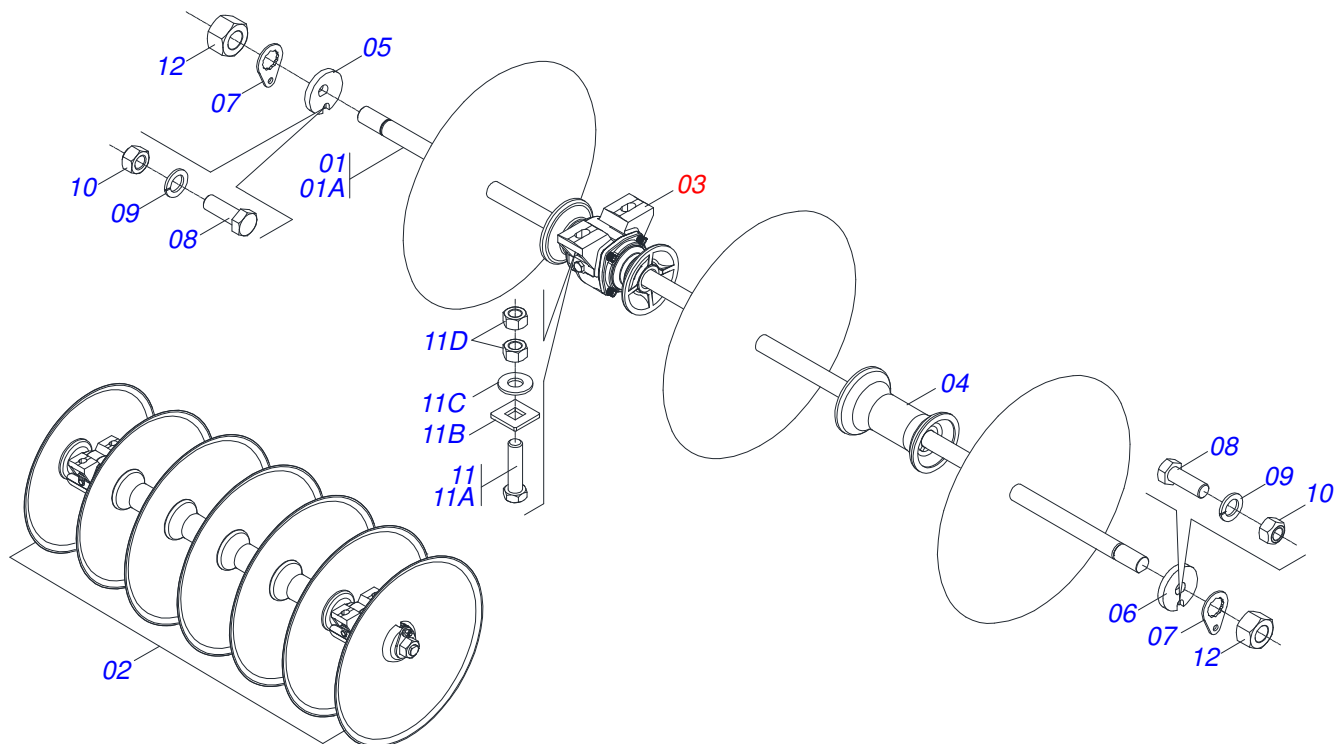
Item	Code	Description	QT
01	0501043757	1-1/2" X 86" AXLE WITH NUTS	02
01A	0511012602	1-1/2" X 86" AXLE	02
02	0602030331	24" X 0.236" NOTCHED DISC BLADE	02
03	0602033252	26" X 6 NOTCHED DISC BLADE	09
04	0501044315	9" X 1-1/2" OIL BATH BEARING	06
05	0502010621	8.8" 1-1/2" SPACER	12
06	0502010871	1-1/2" EXTERNAL AXLE WASHER	02
07	0502010872	1-1/2" INNER AXLE WASHER	02
08	0501018592	1.5/8" NUT LOCK	04
09	0503011267	5/8" X 1.1/2" BOLT	04
10	0503010027	SPRING WASHER	04
11	0503010013	5/8" NUT	04
12	0501042160	5/8" X 76 BOLT ASSY	12
12A	0501011234	5/8" X 3" BOLT	12
12B	0501010947	5/8 NUT LOCK	12
12C	0501012140	FLAT WASHER	12
12D	0503010013	5/8" NUT	12
13	0501810110	NUT 1.1/2	04



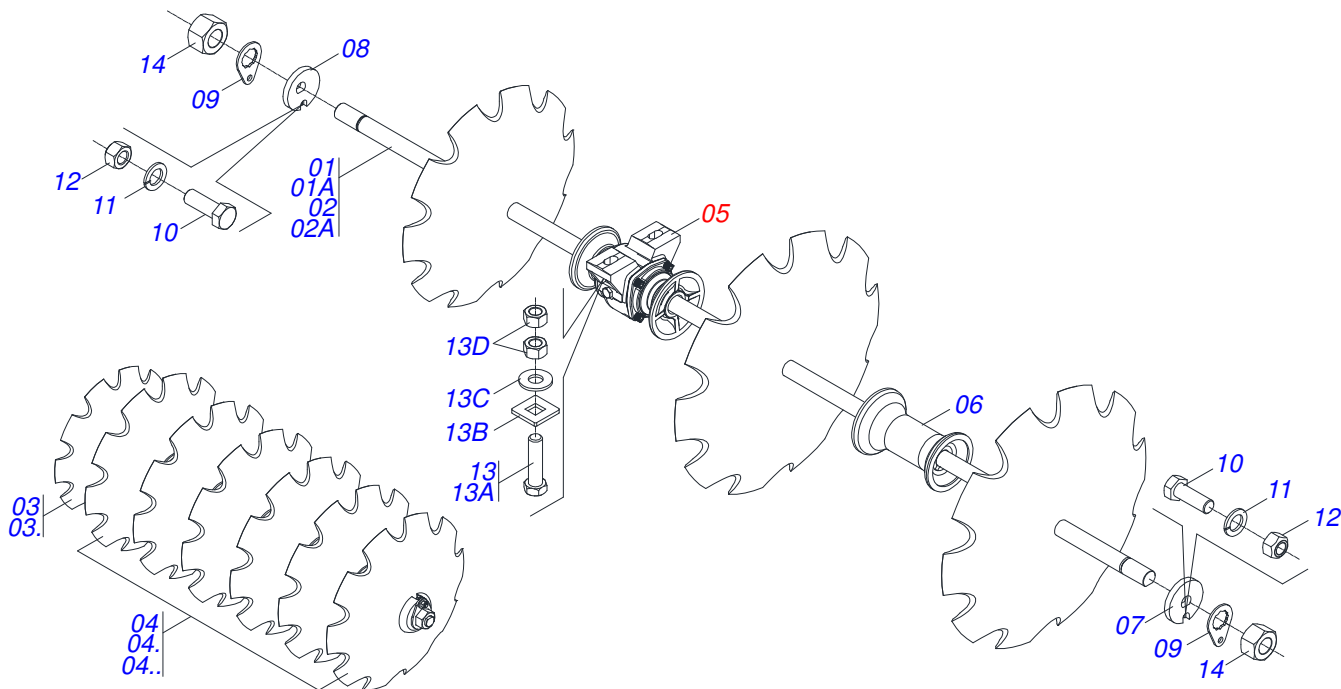
Item	Code	Description	QT
01	0501044069	1.1/2" X 2655 AXLE W/NUTS	02
01A	0511010853	1.1/2" X 2655 AXLE W/NUTS	02
02	0601031031	24" X 6 PLAIN DISC BLADE	02
03	0601033237	26" X 6 PLAIN DISC BLADE	20
04	0602029293	22" X 6 NOTCHED DISC BLADE	02
05	0501044315	9" X 1-1/2" OIL BATH BEARING	06
06	0502010621	8.8" 1-1/2" SPACER	16
07	0502010871	1-1/2" EXTERNAL AXLE WASHER	02
08	0502010872	1-1/2" INNER AXLE WASHER	02
09	0501018592	1.5/8" NUT LOCK	04
10	0503011267	5/8" X 1.1/2" BOLT	04
11	0503010027	SPRING WASHER	04
12	0503010013	5/8" NUT	04
13	0501042160	5/8" X 76 BOLT ASSY	12
13A	0501011234	5/8" X 3" BOLT	12
13B	0501010947	5/8 NUT LOCK	12
13C	0501012140	FLAT WASHER	12
13D	0503010013	5/8" NUT	12
14	0501810110	NUT 1.1/2	04



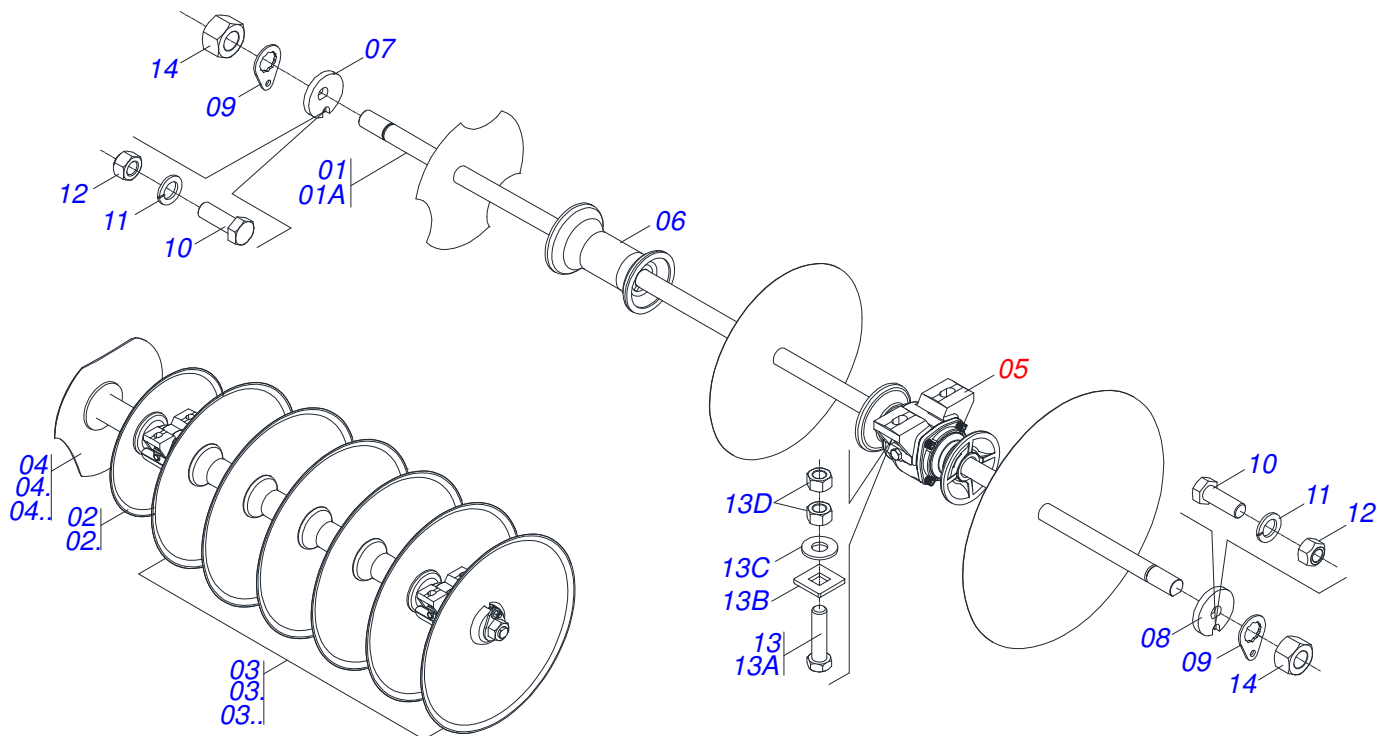
Item	Code	Description	QT
01	0501043697	1.1/2" X 1505 AXLE ASSY	02
01A	0511012601	1.1/2" X 1505 AXLE	02
02	0601033237	26"X 6 PLAIN DISC BLADE	14
03	0501044315	9" X 1-1/2" OIL BATH BEARING	04
04	0502010621	8.8" 1-1/2" SPACER	08
05	0502010871	1-1/2" EXTERNAL AXLE WASHER	02
06	0502010872	1-1/2" INNER AXLE WASHER	02
07	0501018592	1.5/8" NUT LOCK	04
08	0503011267	5/8" X 1.1/2" BOLT	04
09	0503010027	SPRING WASHER	04
10	0503010013	5/8" NUT	04
11	0501042160	5/8" X 76 BOLT ASSY	12
11A	0501011234	5/8" X 3" BOLT	12
11B	0501010947	5/8 NUT LOCK	12
11C	0501012140	FLAT WASHER	12
11D	0503010013	5/8" NUT	12
12	0501810110	NUT 1.1/2	04



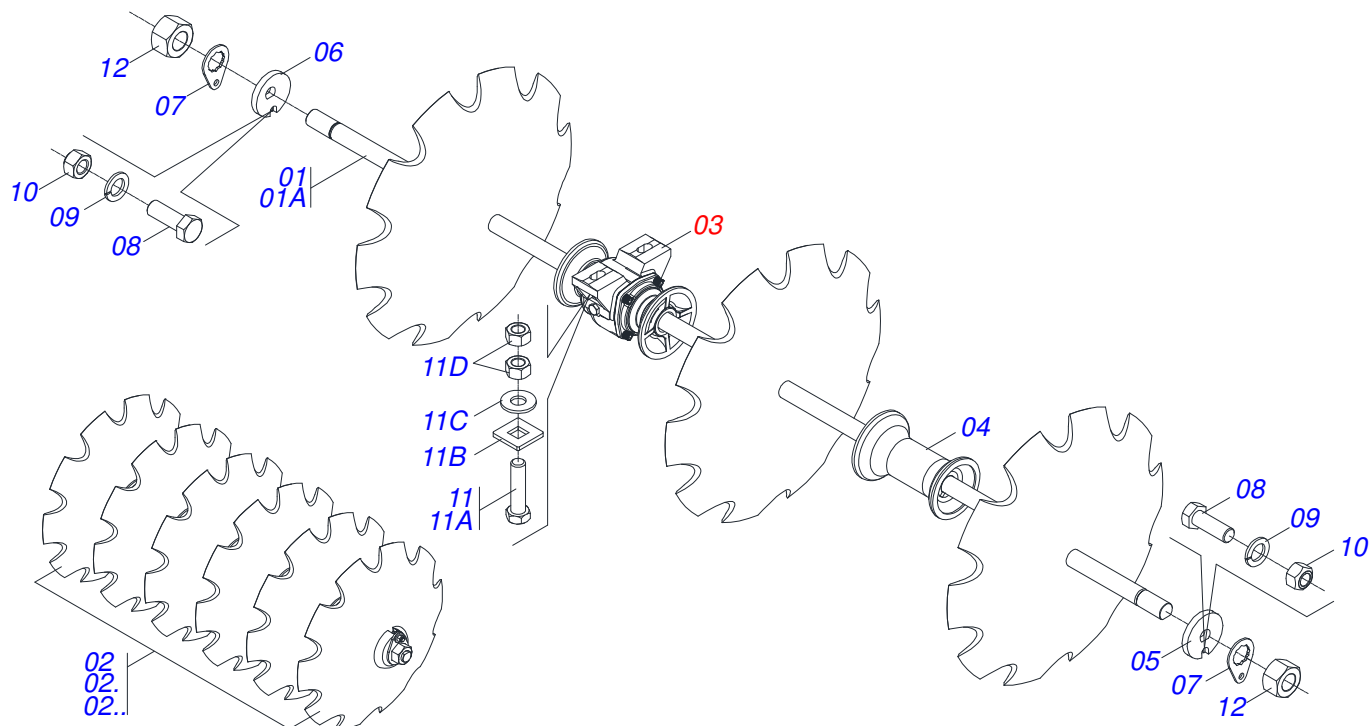
Item	Code	Description	QT
01	0501043689	1-1/2" X 1275 AXLE W/NUT	02
01A	0511012600	1-1/2" X 1275 AXLE	02
02	0601033237	26"X 6 PLAIN DISC BLADE	12
03	0501044315	9" X 1-1/2" OIL BATH BEARING	04
04	0502010621	8.8" 1-1/2" SPACER	06
05	0502010871	1-1/2" EXTERNAL AXLE WASHER	02
06	0502010872	1-1/2" INNER AXLE WASHER	02
07	0501018592	1.5/8" NUT LOCK	04
08	0503011267	5/8" X 1.1/2" BOLT	04
09	0503010027	SPRING WASHER	04
10	0503010013	5/8" NUT	04
11	0501042160	5/8" X 76 BOLT ASSY	08
11A	0501011234	5/8" X 3" BOLT	08
11B	0501010947	5/8 NUT LOCK	08
11C	0501012140	FLAT WASHER	08
11D	0503010013	5/8" NUT	08
12	0501810110	NUT 1.1/2	04



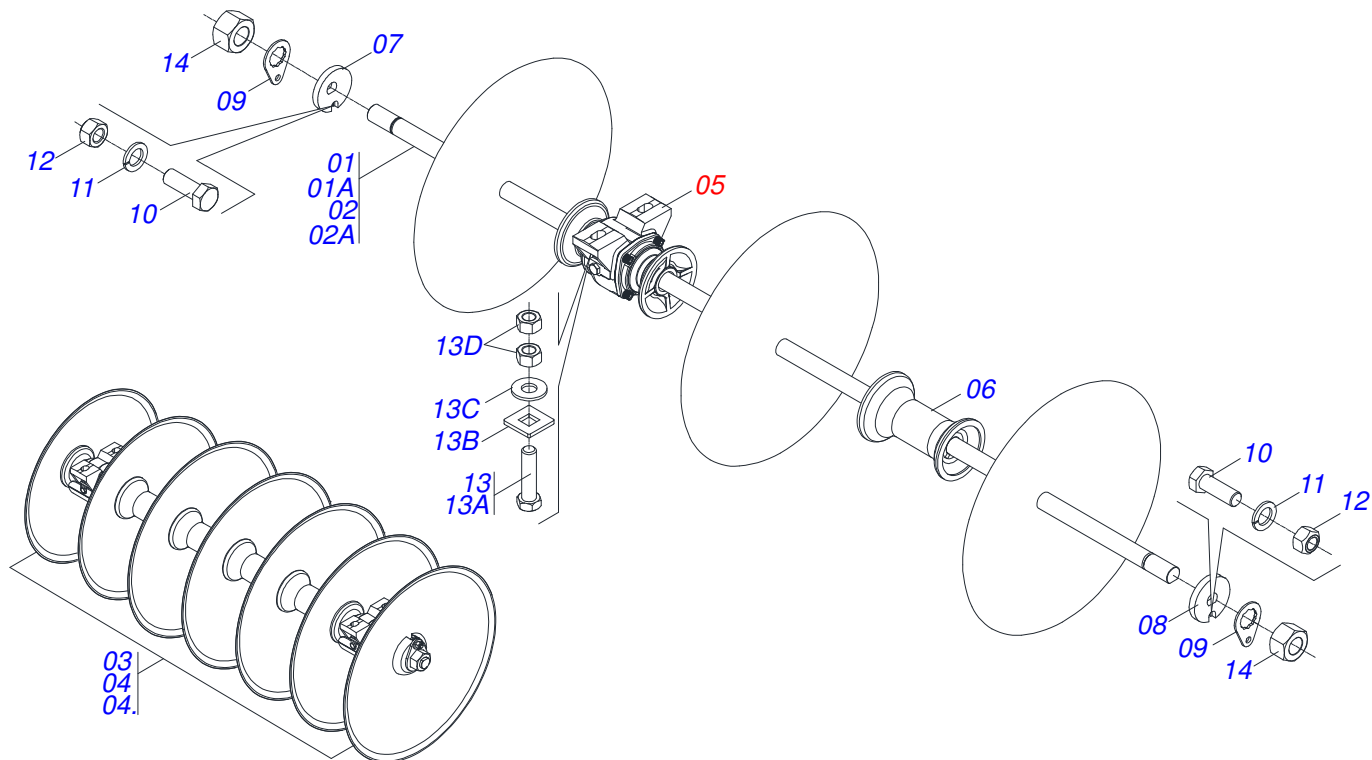
Item	Code	Description	72 76
01	0501043758	1-1/2" X 2425 AXLE W/NUTS	02 02
01A	0511012603	1.1/2" X 2425 AXLE W/NUTS	02 02
02	0501044069	1.1/2" X 2655 AXLE W/NUTS	00 02
02A	0511010853	1.1/2" X 2655 AXLE W/NUTS	00 02
03	0602030331	24" X 0.236" NOTCHED DISC BLADE	02 02
03.	0602027343	DR20X4,5 C57AF02FR1.9/16 10R TATU	02 02
04	0602033252	26" X 6 NOTCHED DISC BLADE	20 20
04.	0602029409	22" X 4,5 NOTCHED DISC BLADE	20 20
04..	0602030335	NOTCHED DISC BLADE	20 20
05	0501044315	9" X 1-1/2" OIL BATH BEARING	06 06
06	0502010621	8.8" 1-1/2" SPACER	14 16
07	0502010871	1-1/2" EXTERNAL AXLE WASHER	02 02
08	0502010872	1-1/2" INNER AXLE WASHER	02 02
09	0501018592	1.5/8" NUT LOCK	04 04
10	0503011267	5/8" X 1.1/2" BOLT	04 04
11	0503010027	SPRING WASHER	04 04
12	0503010013	5/8" NUT	04 04
13	0501042160	5/8" X 76 BOLT ASSY	12 12
13A	0501011234	5/8" X 3" BOLT	12 12
13B	0501010947	5/8 NUT LOCK	12 12
13C	0501012140	FLAT WASHER	12 12
13D	0503010013	5/8" NUT	12 12
14	0501810110	NUT 1.1/2	04 04



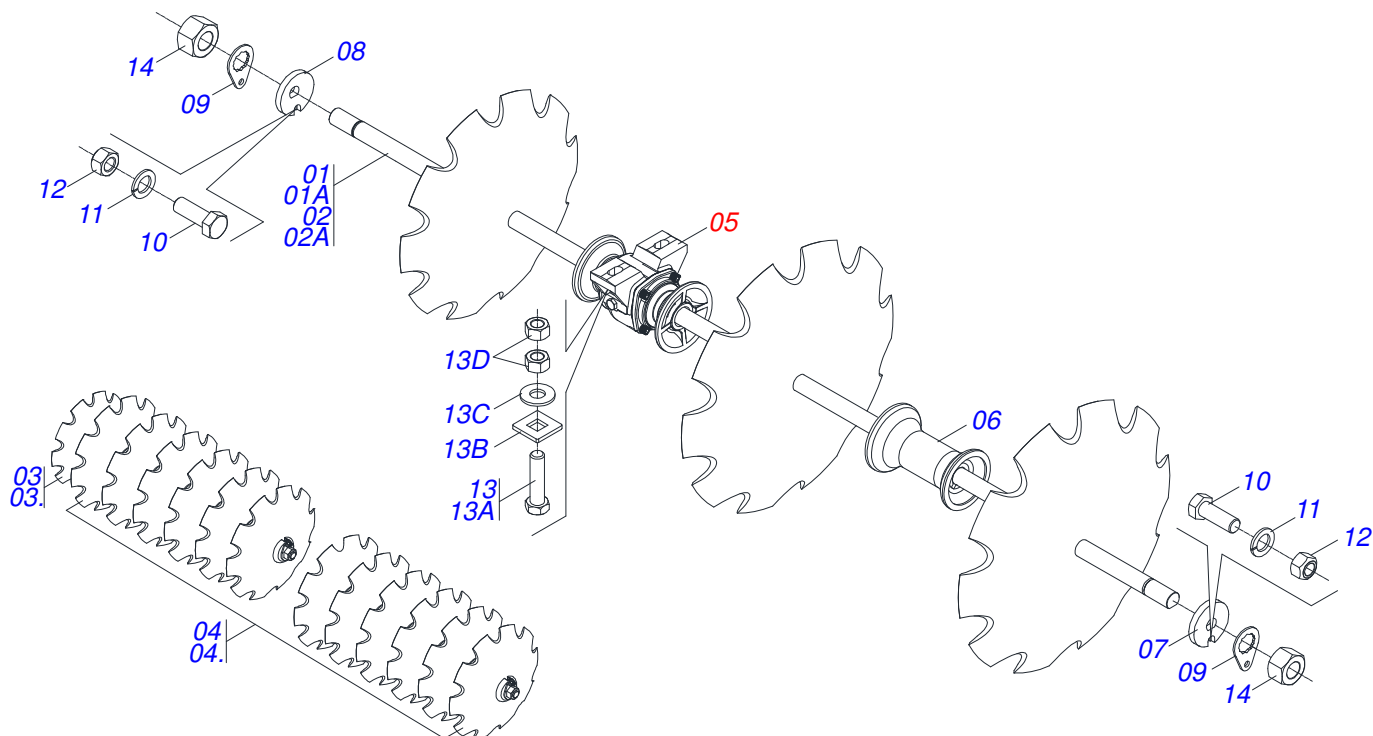
Item	Code	Description	72 76
01	0501043697	1.1/2" X 1505 AXLE ASSY	02 02
01A	0511012601	1.1/2" X 1505 AXLE	02 02
02	0601031031	24" X 6 PLAIN DISC BLADE	02 02
02.	0601027299	DL20X4,5 C57AF02FR1.9/16 TATU	00 02
03	0601033237	26" X 6 PLAIN DISC BLADE	11 11
03.	0601031039	DL24X4,75 C72AF02FR1.9/16 TATU TERR	11 00
03..	0601029406	22" X 4,5 PLAIN DISC BLADE	00 11
04	0602027348	NOTCHED DISC BLADE	02 00
04.	0602029293	22" X 6 NOTCHED DISC BLADE	02 02
04..	0602025266	DR18X4,5 C44AF02FR1.9/16 3REC TATU	00 02
05	0501044315	9" X 1-1/2" OIL BATH BEARING	04 04
06	0502010621	8.8" 1-1/2" SPACER	06 08
07	0502010871	1-1/2" EXTERNAL AXLE WASHER	02 02
08	0502010872	1-1/2" INNER AXLE WASHER	02 02
09	0501018592	1.5/8" NUT LOCK	04 04
10	0503011267	5/8" X 1.1/2" BOLT	04 04
11	0503010027	SPRING WASHER	04 04
12	0503010013	5/8" NUT	04 04
13	0501042160	5/8" X 76 BOLT ASSY	08 08
13A	0501011234	5/8" X 3" BOLT	08 08
13B	0501010947	5/8 NUT LOCK	08 08
13C	0501012140	FLAT WASHER	08 08
13D	0503010013	5/8" NUT	08 08
14	0501810110	NUT 1.1/2	04 04



Item	Code	Description	QT
01	0501043697	1.1/2" X 1505 AXLE ASSY	02 02
01A	0511012601	1.1/2" X 1505 AXLE	02 02
02	0602030335	NOTCHED DISC BLADE	14 00
02.	0602033252	26" X 6 NOTCHED DISC BLADE	14 14
02..	0602029409	22" X 4,5 NOTCHED DISC BLADE	00 14
03	0501044315	9" X 1-1/2" OIL BATH BEARING	04 04
04	0502010621	8.8" 1-1/2" SPACER	08 08
05	0502010871	1-1/2" EXTERNAL AXLE WASHER	02 02
06	0502010872	1-1/2" INNER AXLE WASHER	02 02
07	0501018592	1.5/8" NUT LOCK	04 04
08	0503011267	5/8" X 1.1/2" BOLT	04 04
09	0503010027	SPRING WASHER	04 04
10	0503010013	5/8" NUT	04 04
11	0501042160	5/8" X 76 BOLT ASSY	08 08
11A	0501011234	5/8" X 3" BOLT	08 08
11B	0501010947	5/8 NUT LOCK	08 08
11C	0501012140	FLAT WASHER	08 08
11D	0503010013	5/8" NUT	08 08
12	0501810110	NUT 1.1/2	04 04

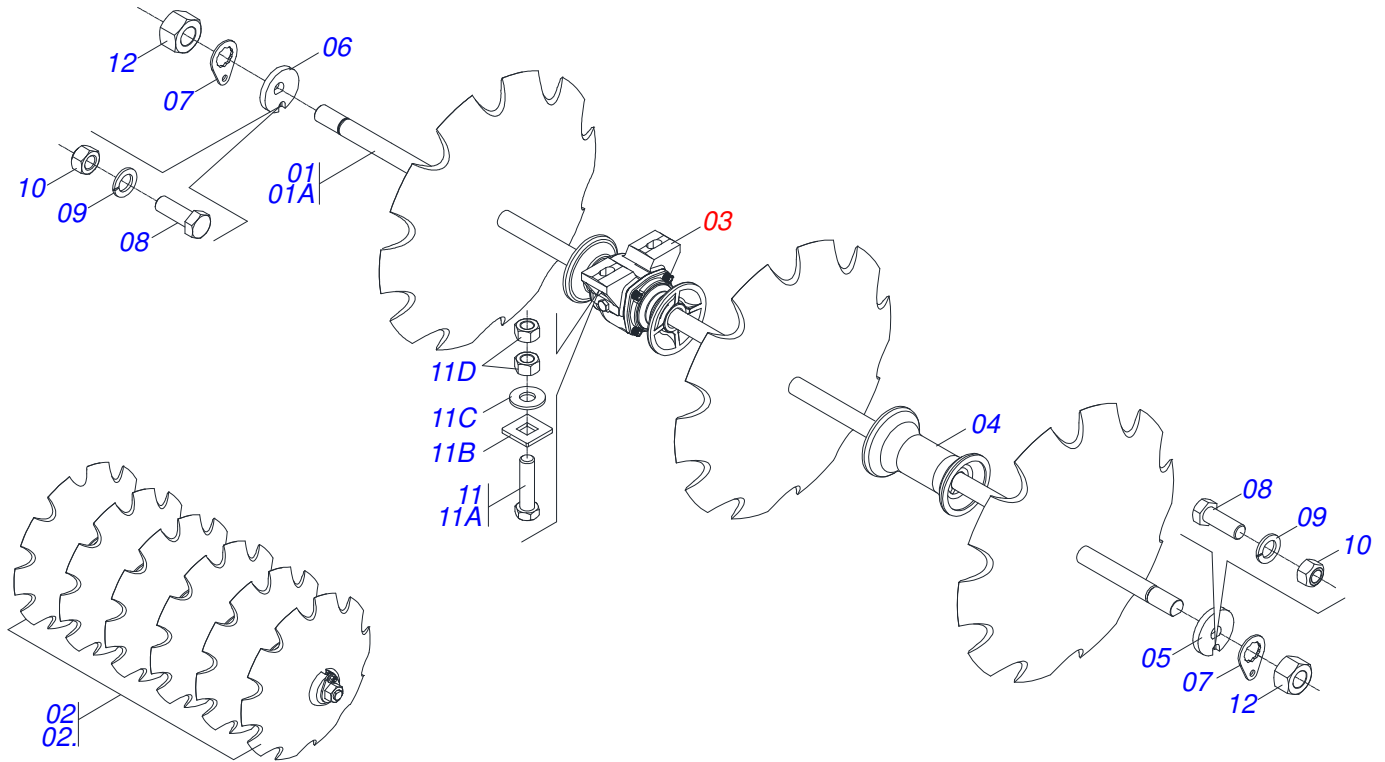


Item	Code	Description	72 76
01	0501043689	1-1/2" X 1275 AXLE W/NUT	02 00
01A	0511012600	1-1/2" X 1275 AXLE	02 00
02	0501043697	1.1/2" X 1505 AXLE ASSY	00 02
02A	0511012601	1.1/2" X 1505 AXLE	00 02
03	0601031039	DL24X4,75 C72AF02FR1.9/16 TATU TERR	12 00
04	0601029406	22" X 4,5 PLAIN DISC BLADE	00 14
04.	0601033237	26" X 6 PLAIN DISC BLADE	12 14
05	0501044315	9" X 1-1/2" OIL BATH BEARING	04 04
06	0502010621	8.8" 1-1/2" SPACER	06 06
07	0502010871	1-1/2" EXTERNAL AXLE WASHER	02 02
08	0502010872	1-1/2" INNER AXLE WASHER	02 02
09	0501018592	1.5/8" NUT LOCK	04 04
10	0503011267	5/8" X 1.1/2" BOLT	04 04
11	0503010027	SPRING WASHER	04 04
12	0503010013	5/8" NUT	04 04
13	0501042160	5/8" X 76 BOLT ASSY	08 08
13A	0501011234	5/8" X 3" BOLT	08 08
13B	0501010947	5/8 NUT LOCK	08 08
13C	0501012140	FLAT WASHER	08 08
13D	0503010013	5/8" NUT	08 08
14	0501810110	NUT 1.1/2	04 04

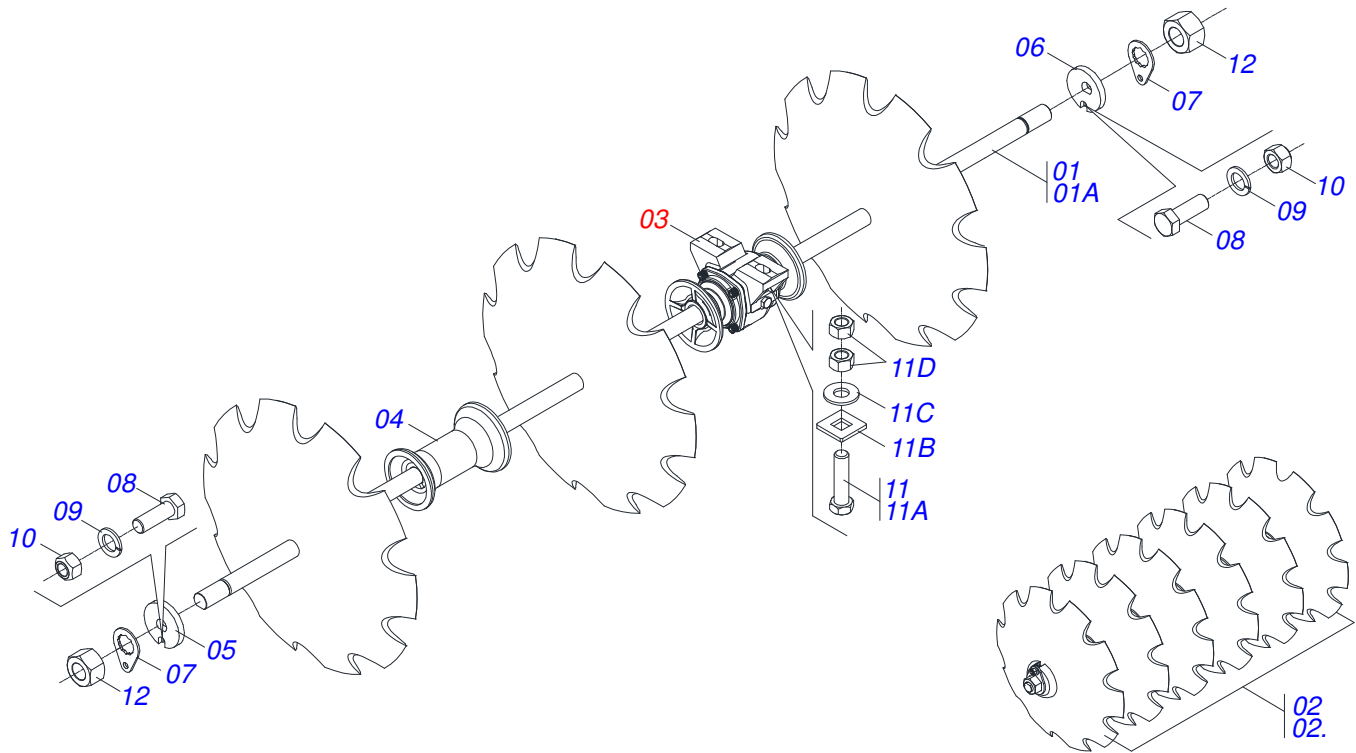


Item	Code	Description	QT
01	0501043697	1.1/2" X 1505 AXLE ASSY	01
01A	0511012601	1.1/2" X 1505 AXLE	01
02	0501043689	1-1/2" X 1275 AXLE W/NUT	01
02A	0511012600	1-1/2" X 1275 AXLE	01
03	0602030283	24" X 6 NOTCHED DISC BLADE	12
03.	0602030335	NOTCHED DISC BLADE	12
04	0602029413	DR22X6 C74AF02FR1.9/16 10REC TATU	01
04.	0602029409	22" X 4,5 NOTCHED DISC BLADE	01
05	0501044315	9" X 1-1/2" OIL BATH BEARING	04
06	0502010621	8.8" 1-1/2" SPACER	07
07	0502010871	1-1/2" EXTERNAL AXLE WASHER	02
08	0502010872	1-1/2" INNER AXLE WASHER	02
09	0501018592	1.5/8" NUT LOCK	04
10	0503011267	5/8" X 1.1/2" BOLT	04
11	0503010027	SPRING WASHER	04
12	0503010013	5/8" NUT	04
13	0501042160	5/8" X 76 BOLT ASSY	08
13A	0501011234	5/8" X 3" BOLT	08
13B	0501010947	5/8 NUT LOCK	08
13C	0501012140	FLAT WASHER	08
13D	0503010013	5/8" NUT	08
14	0501810110	NUT 1.1/2	04

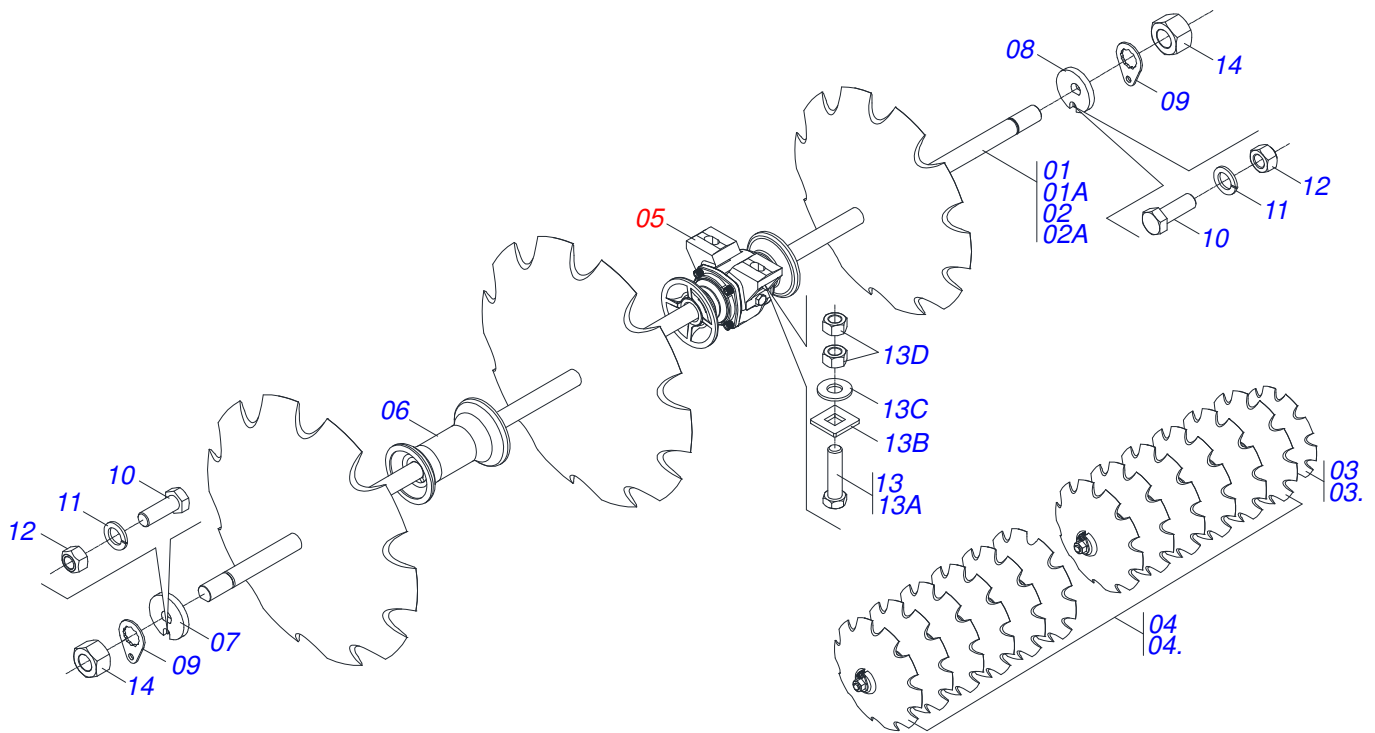
CENTRAL LEFT FRONT DISC SECTION 80



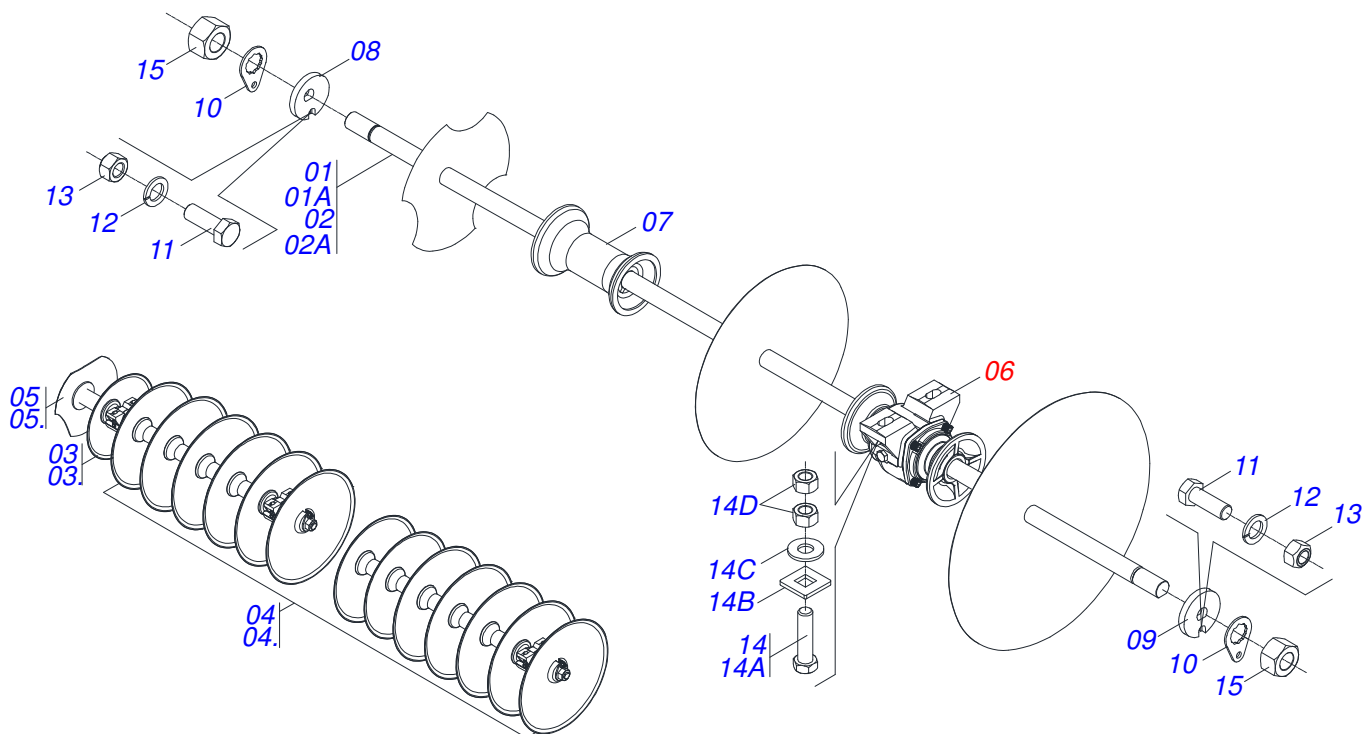
Item	Code	Description	QT
01	0501043697	1.1/2" X 1505 AXLE ASSY	01
01A	0511012601	1.1/2" X 1505 AXLE	01
02	0602030331	24" X 0.236" NOTCHED DISC BLADE	07
02.	0602030335	NOTCHED DISC BLADE	07
03	0501044315	9" X 1-1/2" OIL BATH BEARING	02
04	0502010621	8.8" 1-1/2" SPACER	03
05	0502010871	1-1/2" EXTERNAL AXLE WASHER	01
06	0502010872	1-1/2" INNER AXLE WASHER	01
07	0501018592	1.5/8" NUT LOCK	02
08	0503011267	5/8" X 1.1/2" BOLT	02
09	0503010027	SPRING WASHER	02
10	0503010013	5/8" NUT	02
11	0501042160	5/8" X 76 BOLT ASSY	04
11A	0501011234	5/8" X 3" BOLT	04
11B	0501010947	5/8 NUT LOCK	04
11C	0501012140	FLAT WASHER	04
11D	0503010013	5/8" NUT	04
12	0501810110	NUT 1.1/2	02



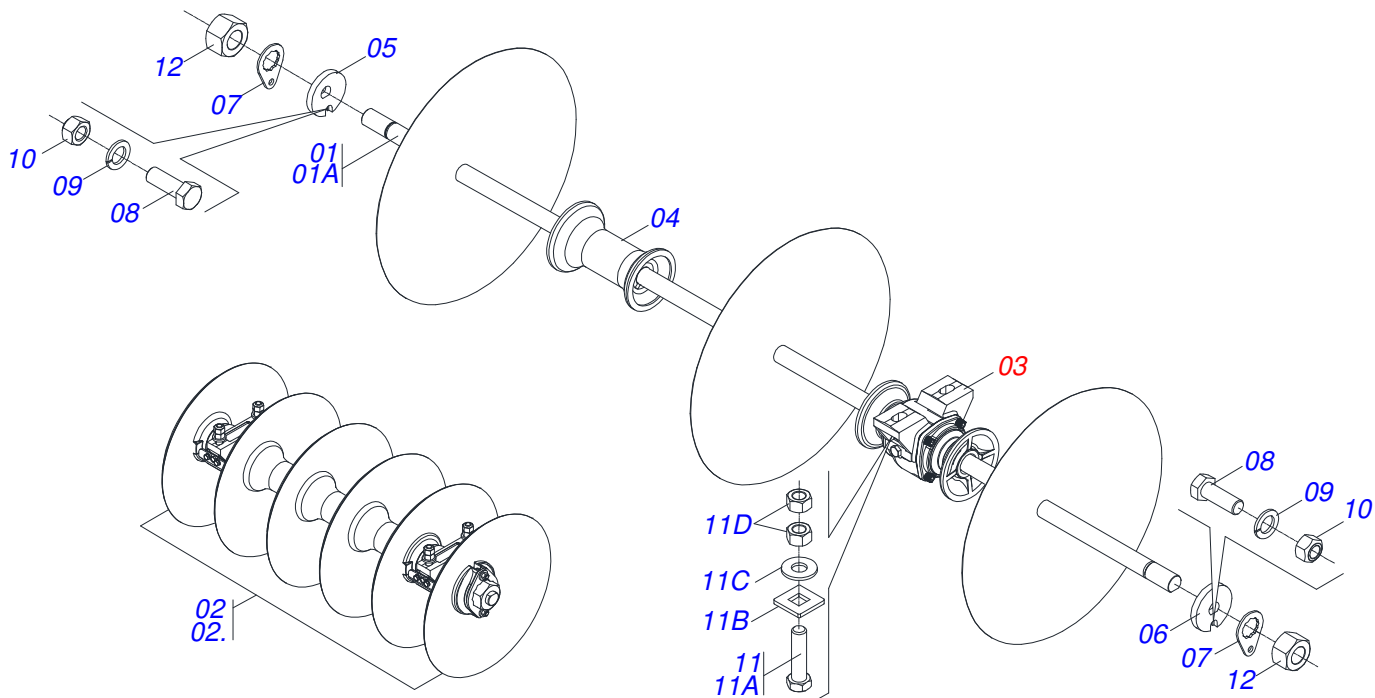
Item	Code	Description	QT
01	0501043697	1.1/2" X 1505 AXLE ASSY	01
01A	0511012601	1.1/2" X 1505 AXLE	01
02	0602030331	24" X 0.236" NOTCHED DISC BLADE	07
02.	0602030335	NOTCHED DISC BLADE	07
03	0501044315	9" X 1-1/2" OIL BATH BEARING	02
04	0502010621	8.8" 1-1/2" SPACER	03
05	0502010871	1-1/2" EXTERNAL AXLE WASHER	01
06	0502010872	1-1/2" INNER AXLE WASHER	01
07	0501018592	1.5/8" NUT LOCK	02
08	0503011267	5/8" X 1.1/2" BOLT	02
09	0503010027	SPRING WASHER	02
10	0503010013	5/8" NUT	02
11	0501042160	5/8" X 76 BOLT ASSY	04
11A	0501011234	5/8" X 3" BOLT	04
11B	0501010947	5/8 NUT LOCK	04
11C	0501012140	FLAT WASHER	04
11D	0503010013	5/8" NUT	04
12	0501810110	NUT 1.1/2	02



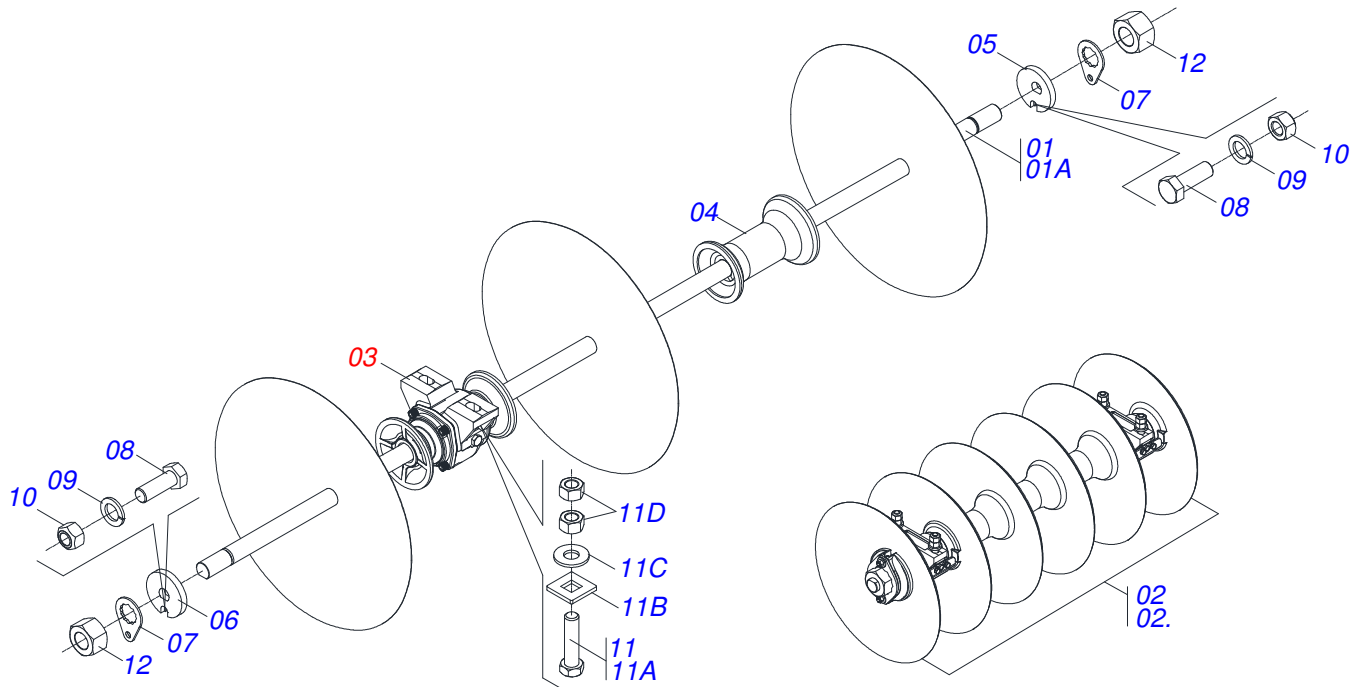
Item	Code	Description	QT
01	0501043697	1.1/2" X 1505 AXLE ASSY	01
01A	0511012601	1.1/2" X 1505 AXLE	01
02	0501043689	1-1/2" X 1275 AXLE W/NUT	01
02A	0511012600	1-1/2" X 1275 AXLE	01
03	0602030283	24" X 6 NOTCHED DISC BLADE	12
03.	0602030335	NOTCHED DISC BLADE	12
04	0602029413	DR22X6 C74AF02FR1.9/16 10REC TATU	01
04.	0602029409	22" X 4,5 NOTCHED DISC BLADE	01
05	0501044315	9" X 1-1/2" OIL BATH BEARING	04
06	0502010621	8.8" 1-1/2" SPACER	07
07	0502010871	1-1/2" EXTERNAL AXLE WASHER	02
08	0502010872	1-1/2" INNER AXLE WASHER	02
09	0501018592	1.5/8" NUT LOCK	04
10	0503011267	5/8" X 1.1/2" BOLT	04
11	0503010027	SPRING WASHER	04
12	0503010013	5/8" NUT	04
13	0501042160	5/8" X 76 BOLT ASSY	08
13A	0501011234	5/8" X 3" BOLT	08
13B	0501010947	5/8 NUT LOCK	08
13C	0501012140	FLAT WASHER	08
13D	0503010013	5/8" NUT	08
14	0501810110	NUT 1.1/2	04



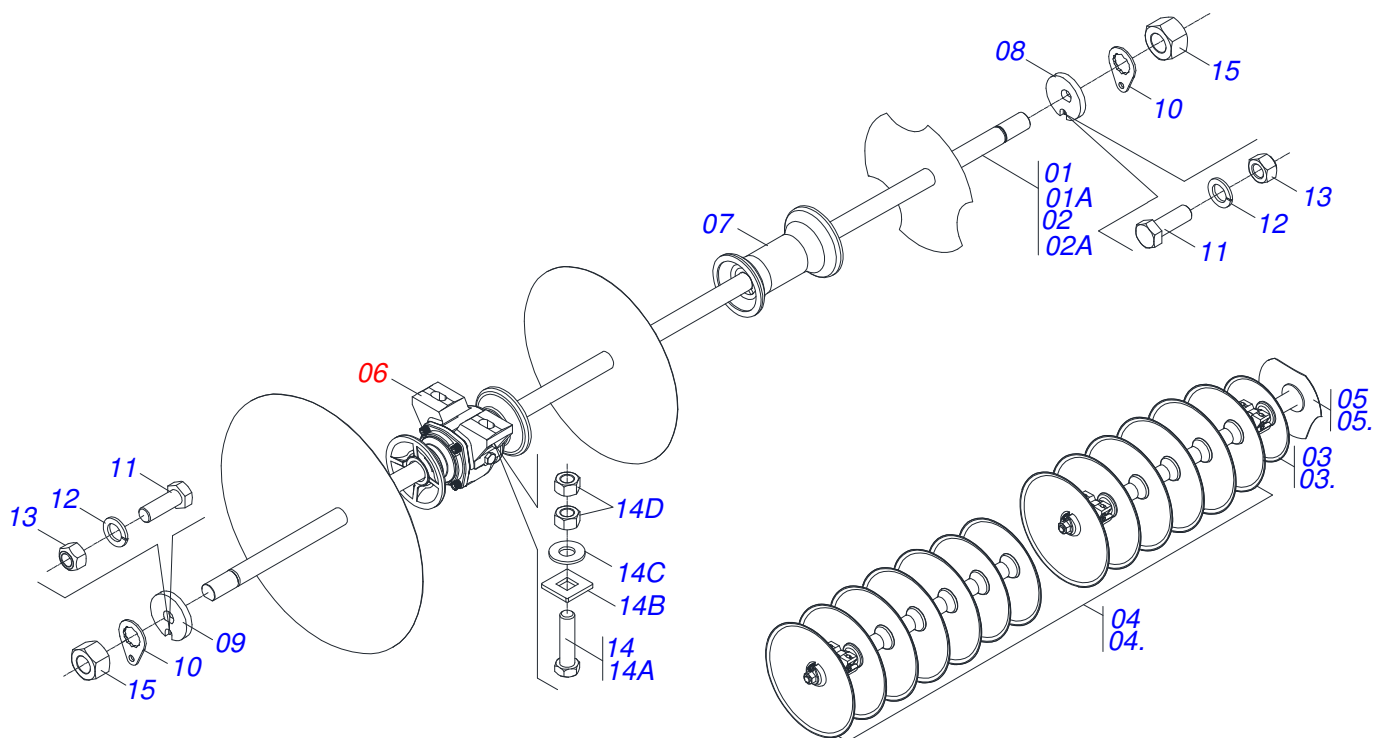
Item	Code	Description	QT
01	0501043837	1-1/2" X 68" AXLE WITH NUTS	01
01A	0511010225	1-1/2" X 68" AXLE	01
02	0501043697	1.1/2" X 1505 AXLE ASSY	01
02A	0511012601	1.1/2" X 1505 AXLE	01
03	0601031031	24" X 6 PLAIN DISC BLADE	01
03.	0601029406	22" X 4,5 PLAIN DISC BLADE	01
04	0601033237	26" X 6 PLAIN DISC BLADE	13
04.	0601031039	DL24X4,75 C72AF02FR1.9/16 TATU TERR	13
05	0602029293	22" X 6 NOTCHED DISC BLADE	01
05.	0602027348	NOTCHED DISC BLADE	01
06	0501044315	9" X 1-1/2" OIL BATH BEARING	04
07	0502010621	8.8" 1-1/2" SPACER	09
08	0502010871	1-1/2" EXTERNAL AXLE WASHER	02
09	0502010872	1-1/2" INNER AXLE WASHER	02
10	0501018592	1.5/8" NUT LOCK	04
11	0503011267	5/8" X 1.1/2" BOLT	04
12	0503010027	SPRING WASHER	04
13	0503010013	5/8" NUT	04
14	0501042160	5/8" X 76 BOLT ASSY	08
14A	0501011234	5/8" X 3" BOLT	08
14B	0501010947	5/8 NUT LOCK	08
14C	0501012140	FLAT WASHER	08
14D	0503010013	5/8" NUT	08
15	0501810110	NUT 1.1/2	04



Item	Code	Description	QT
01	0501043689	1-1/2" X 1275 AXLE W/NUT	01
01A	0511012600	1-1/2" X 1275 AXLE	01
02	0601033237	26"X 6 PLAIN DISC BLADE	06
02.	0601031039	DL24X4,75 C72AF02FR1.9/16 TATU TERR	06
03	0501044315	9" X 1-1/2" OIL BATH BEARING	02
04	0502010621	8.8" 1-1/2" SPACER	03
05	0502010871	1-1/2" EXTERNAL AXLE WASHER	02
06	0502010872	1-1/2" INNER AXLE WASHER	02
07	0501018592	1.5/8" NUT LOCK	02
08	0503011267	5/8" X 1.1/2" BOLT	02
09	0503010027	SPRING WASHER	02
10	0503010013	5/8" NUT	02
11	0501042160	5/8" X 76 BOLT ASSY	04
11A	0501011234	5/8" X 3" BOLT	04
11B	0501010947	5/8 NUT LOCK	04
11C	0501012140	FLAT WASHER	04
11D	0503010013	5/8" NUT	04
12	0501810110	NUT 1.1/2	02



Item	Code	Description	QT
01	0501043689	1-1/2" X 1275 AXLE W/NUT	01
01A	0511012600	1-1/2" X 1275 AXLE	01
02	0601033237	26"X 6 PLAIN DISC BLADE	06
02.	0601031039	DL24X4,75 C72AF02FR1.9/16 TATU TERR	06
03	0501044315	9" X 1-1/2" OIL BATH BEARING	02
04	0502010621	8.8" 1-1/2" SPACER	03
05	0502010871	1-1/2" EXTERNAL AXLE WASHER	02
06	0502010872	1-1/2" INNER AXLE WASHER	02
07	0501018592	1.5/8" NUT LOCK	02
08	0503011267	5/8" X 1.1/2" BOLT	02
09	0503010027	SPRING WASHER	02
10	0503010013	5/8" NUT	02
11	0501042160	5/8" X 76 BOLT ASSY	04
11A	0501011234	5/8" X 3" BOLT	04
11B	0501010947	5/8 NUT LOCK	04
11C	0501012140	FLAT WASHER	04
11D	0503010013	5/8" NUT	04
12	0501810110	NUT 1.1/2	02



Item	Code	Description	QT
01	0501043837	1-1/2" X 68" AXLE WITH NUTS	01
01A	0511010225	1-1/2" X 68" AXLE	01
02	0501043697	1.1/2" X 1505 AXLE ASSY	01
02A	0511012601	1.1/2" X 1505 AXLE	01
03	0601031031	24" X 6 PLAIN DISC BLADE	01
03.	0601029406	22" X 4,5 PLAIN DISC BLADE	01
04	0601033237	26" X 6 PLAIN DISC BLADE	13
04.	0601031039	DL24X4,75 C72AF02FR1.9/16 TATU TERR	13
05	0602029293	22" X 6 NOTCHED DISC BLADE	01
05.	0602027348	NOTCHED DISC BLADE	01
06	0501044315	9" X 1-1/2" OIL BATH BEARING	04
07	0502010621	8.8" 1-1/2" SPACER	09
08	0502010871	1-1/2" EXTERNAL AXLE WASHER	02
09	0502010872	1-1/2" INNER AXLE WASHER	02
10	0501018592	1.5/8" NUT LOCK	04
11	0503011267	5/8" X 1.1/2" BOLT	04
12	0503010027	SPRING WASHER	04
13	0503010013	5/8" NUT	04
14	0501042160	5/8" X 76 BOLT ASSY	08
14A	0501011234	5/8" X 3" BOLT	08
14B	0501010947	5/8 NUT LOCK	08
14C	0501012140	FLAT WASHER	08
14D	0503010013	5/8" NUT	08
15	0501810110	NUT 1.1/2	04



MARCHESAN IMPLEMENTOS E MÁQUINAS AGRÍCOLAS TATU S.A.

AV. Marchesan, 1979 - Post office box, 131 - CEP 15994-900 - Matão - SP - Brazil

Phone +55 16.3382-8282

(FAX Parts) + 55 16.3382. 8297 - (Export) + 55 16.3382.1003

e.mail: tatu@marchesan.com.br www.marchesan.com.br

Technical Publications: Elaboration

MARINA PEREZ NIZA

Technical Publications: Revision

MARINA PEREZ NIZA

Contact Catálogo:

E-mail = jgaspari@marchesan.com.br

**ORIGINAL PARTS
TATU**

