

PARTS CATALOGUE



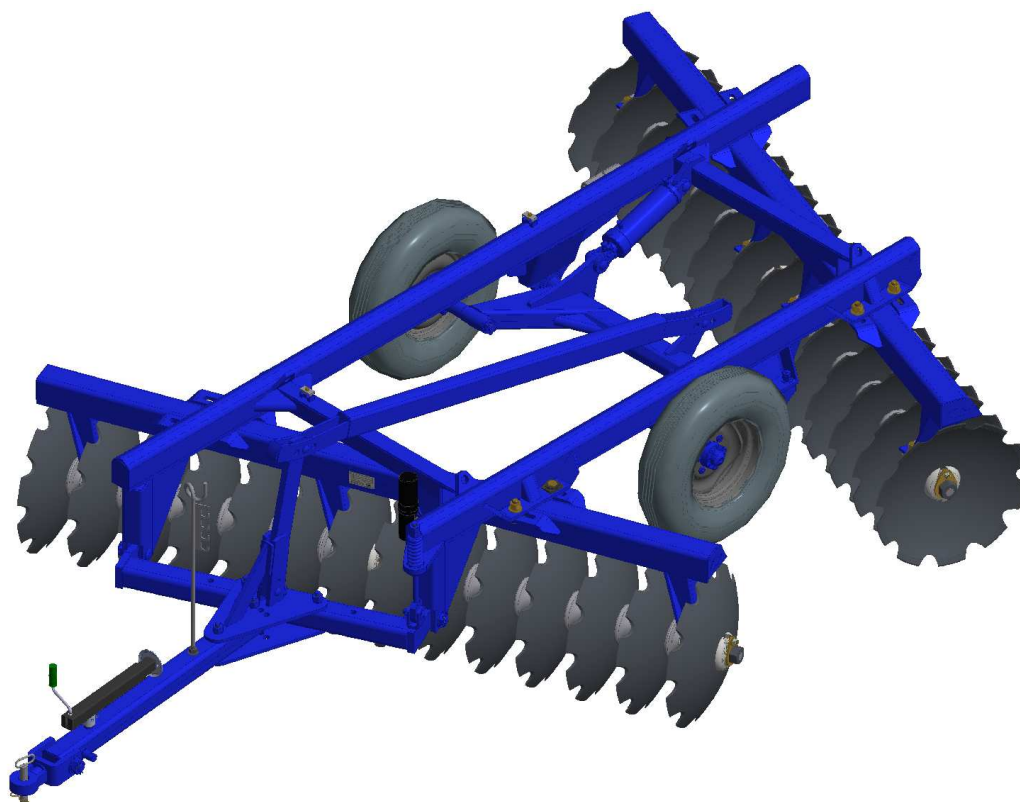
OFFSET DISK HARROW

Code:

0501092279

Product:

ATCRL 6009 - 23D CONICAL



Series:

S-0109

Revision:

00

Date Revision:

JULHO/2018



PRODUCTS

Code	Description
0102440319	ATCRL 6009 23X24X6,00 DM CON S-0109

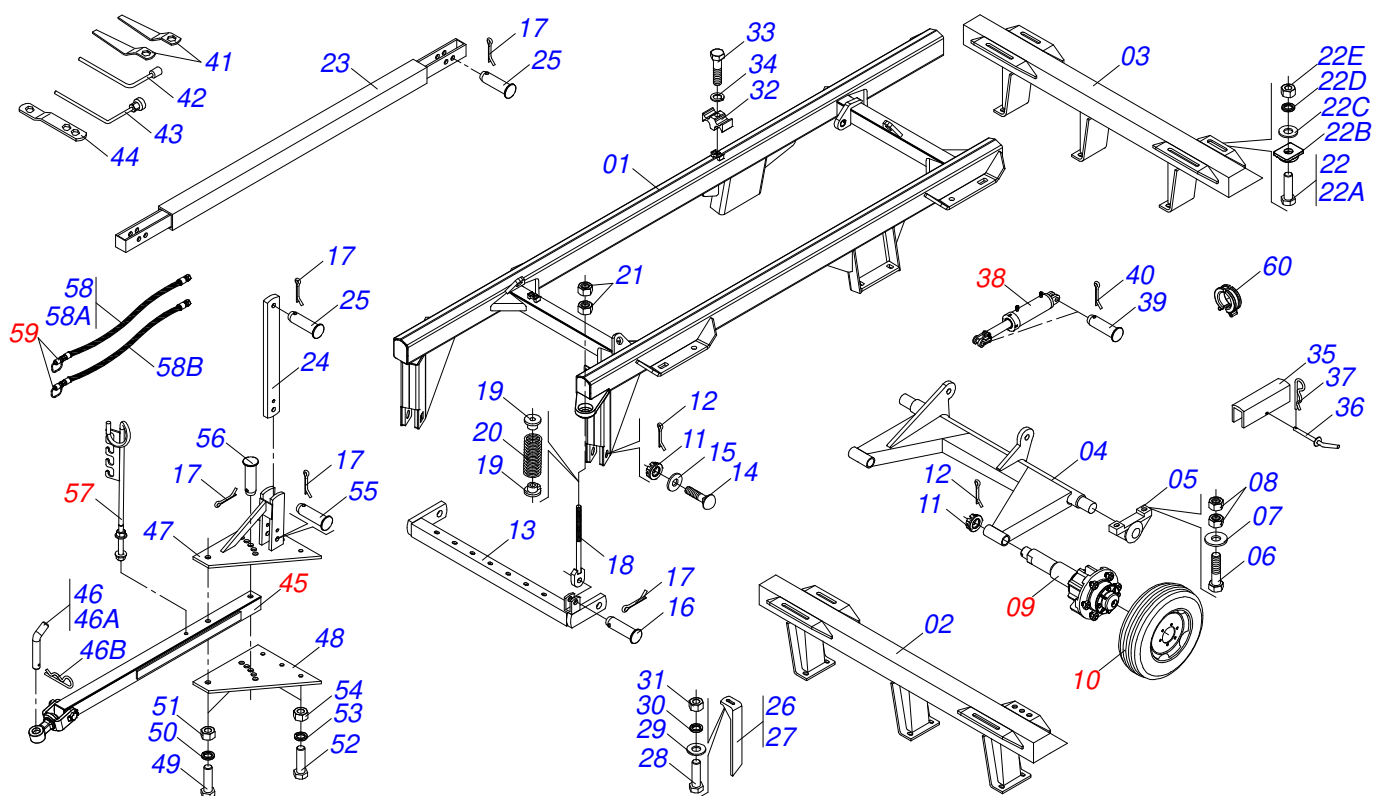
ATTENTION: IMPORTANT

Marchesan S.A. reserves the right to improve and / or modify the technical features of its products, without obligation to do the same with those products already sold and without prior knowledge of the dealer or the consumer.



INDEX

0909092308	FRAME ASSY - 23D. CONICAL	1
0501051634	TSTUB SHAFT & HUB ASSY	2
0501051142	CARRYING WHEEL HUB	3
0503060091	L29.5"X0.63"-10L WHEEL AND	4
0511059180	HYDRAULIC CYLINDER	5
0501041096	DRAWBAR ASSY	6
0501040257	3/4 X 1200 HOSE HOLDER A	7
0501053834	MALE QUICK COUPLER WITH CAP - 1/2 NPT	8
0909092334	23D. CONICAL - DISC GANG SECTION	9
0501044315	9" X 1-1/2" OIL BATH BEARING	10



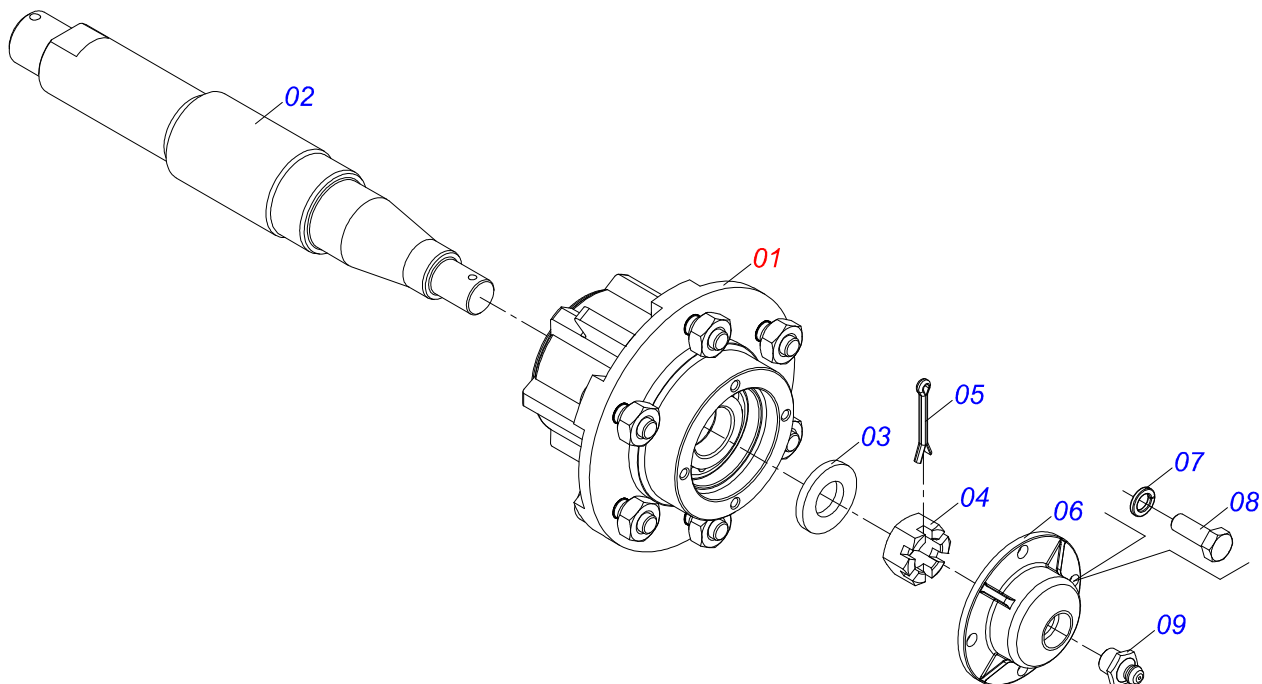
Item	Code	Description	See page	QT
01	0501065311	ATCRL 18A25 CENTER FRAMEAM		01
02	0511060291	FRONT GANG CARRIER		01
03	0511063768	REAR FRAME		01
04	0501065518	CARRYING-WHEELS		01
05	0501110856	ARTICULACION BEARING		02
06	0503010797	3/4" X 4" BOLT		04
07	0501010322	FLAT WASHER		04
08	0503010014	3/4" NUT		08
09	0501051634	TSTUB SHAFT & HUB ASSY	2	02
10	0503060091	L29.5"X0.63"-10L WHEEL AND	4	02
11	0501011301	1.1/2 UNC 6FPP 2.5/16 NUT		04
12	0503010010	1/4" X 2.1/2" COTTERPIN		04
13	0501063260	OFFSET BAR		01
14	0521017538	11-1/2" X 5" COUPLING SHAFT		02
15	0511019880	FLAT WASHER		02
16	0521010592	1.1" X 3.1" COUPLING SHAFT		01
17	0503010571	1/4" X 1.1/2 COTTERPIN		05
18	0501064698	SPRING ROD		01
19	0502020392	SPRING SUPPORT		02
20	0503030441	12.7" X 5.7" X 0.5"SPRING		01
21	0501010059	1.5/8 NUT		04
22	0501040877	C1" X 3-1/4" ASSY BOLT		08
22A	0501010171	PARAFUSO 1 UNC X 3.1/2 C S G.5		08
22B	0502012861	1" SQUARE WASHER		08
22C	0501010065	1" SPRING WASHER		08
22D	0503010012	1" SPRING WASHER		08
22E	0501010059	1.5/8 NUT		08
23	0511066932	CSTABILIZER BARCOTTERPIN		01
24	0511012972	TSTABILIZER BAR TOWER		01
25	0521810576	COUPLING SHAFT		02
26	0501064168	REAR SCRAPER		06



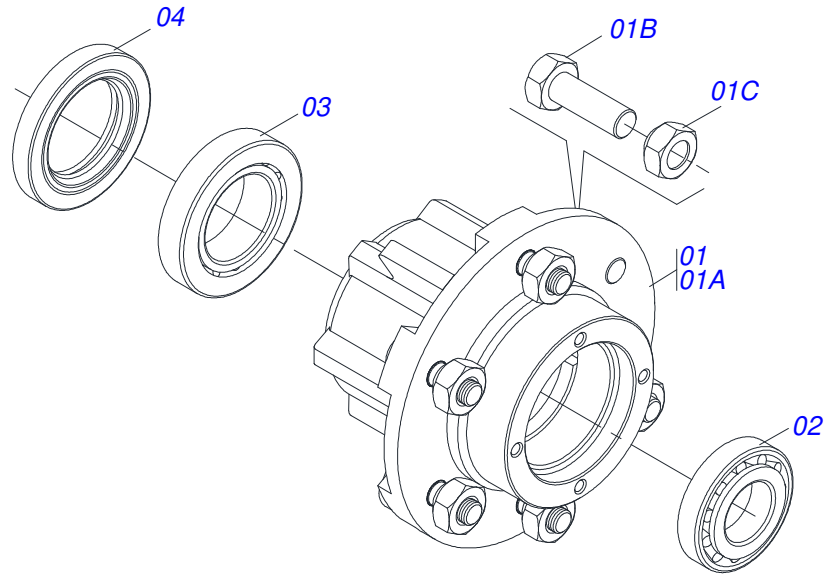
ATCRL 6009 - 23D CONICAL
FRAME ASSY - 23D. CONICAL

Page 1
0909092308

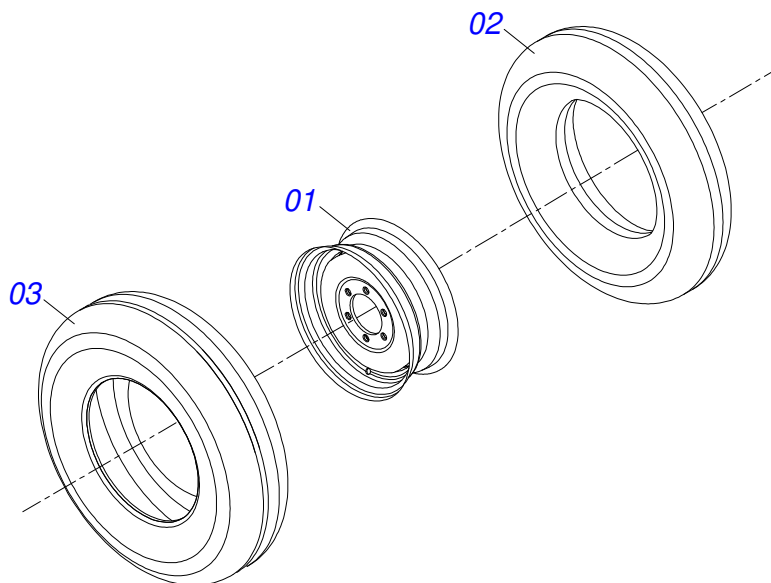
Item	Code	Description	See page	QT
26.	0501066449	CLEANER FRONT		04
27	0501064167	REAR SCRAPER		07
27.	0501066450	CLEANER REAR		04
28	0503011082	C1/2" X 1.3/4" SCREW		42
29	0511017302	FLAT WASHER		42
30	0503010019	1/2" SPRING WASHER		42
31	0503010060	1/2" NUT		42
32	0502012702	BODY SUPPORT CLAMP		02
33	0503012555	SCREW 7/16 UNC X 2 CS RT G.7 ZN		02
34	0503010180	7/16" SPRING WASHER		02
35	0511010839	TRANSPORT LOCK 7.9" X 2.1" X 0.4"		01
36	0501068994	0.3" X 3.1" LOCK PIN		01
37	0503030168	HAIR PIN		01
38	0511059180	HYDRAULIC CYLINDER	5	01
39	0521012538	1.2" X 3.5" COUPLING SHAFT		02
40	0503010523	1/4" X 2" COTTERPIN		02
41	0501011432	1-1/2" AND 1-5/8 GANG BOLT WRENCH		02
42	0501068273	5/8" WRENCH		01
43	0501061617	1" GANG BOLT WRENCH		01
44	0511018451	5/8" X 3/4" X 1" UNIVERSAL		01
45	0501041096	DRAWBAR ASSY	6	01
46	0501040343	DRAWBOLT ASSY		01
46A	0521010453	GCOUPLING SHAFT		01
46B	0503031035	HAIR PIN		01
47	0501066099	UPPER PLATE WITH SUPPORT		01
48	0501010241	UPPER /LOWER PLATE		01
49	0501010060	1" X 6-1/2" BOLT		02
50	0503011438	SPRING WASHER		02
51	0501010059	1.5/8 NUT		02
52	0503011198	C3/4" X 6" SCREW		03
53	0503011442	3/4" SPRING WASHER		03
54	0503010014	3/4" NUT		03
55	0521010575	C0.9" X 3.3" COUPLING SHAFT		01
56	0521010584	C0.9" X 5.7" COUPLING SHAFT		01
57	0501040257	3/4 X 1200 HOSE HOLDER A	7	01
58	0503011360	HOSE KIT		01
58A	0501080443	3/8" X 236" TR-TM HOSE		01
58B	0501080421	3/8" X 230" TR-TM HOSE ASS		01
59	0501053834	MALE QUICK COUPLER WITH CAP - 1/2 NPT	8	02
60	0501047895	ROD STOP		04



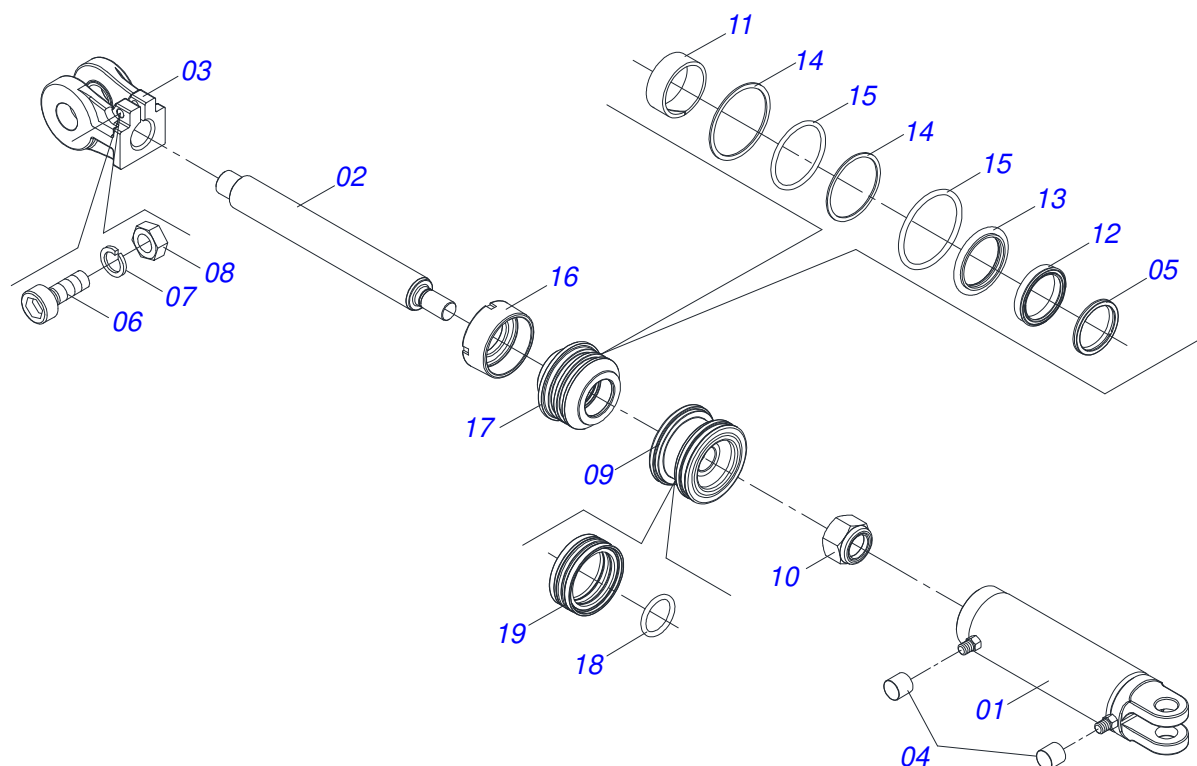
Item	Code	Description	See page	QT
01	0501051142	CARRYING WHEEL HUB	3	01
02	0521010821	2.5" X 16.5" AXLE		01
03	0501016545	FLAT WASHER		01
04	0503030009	1" CASTLE NUT		01
05	0503010018	5/32 X 1-1/2 COTTERPIN		01
06	0502020591	PROTECCION COVER		01
07	0503011444	SPRING WASHER		04
08	0503010358	5/16" X 5/8" BOLT		04
09	0503010002	1800 GREASE FITTING		01



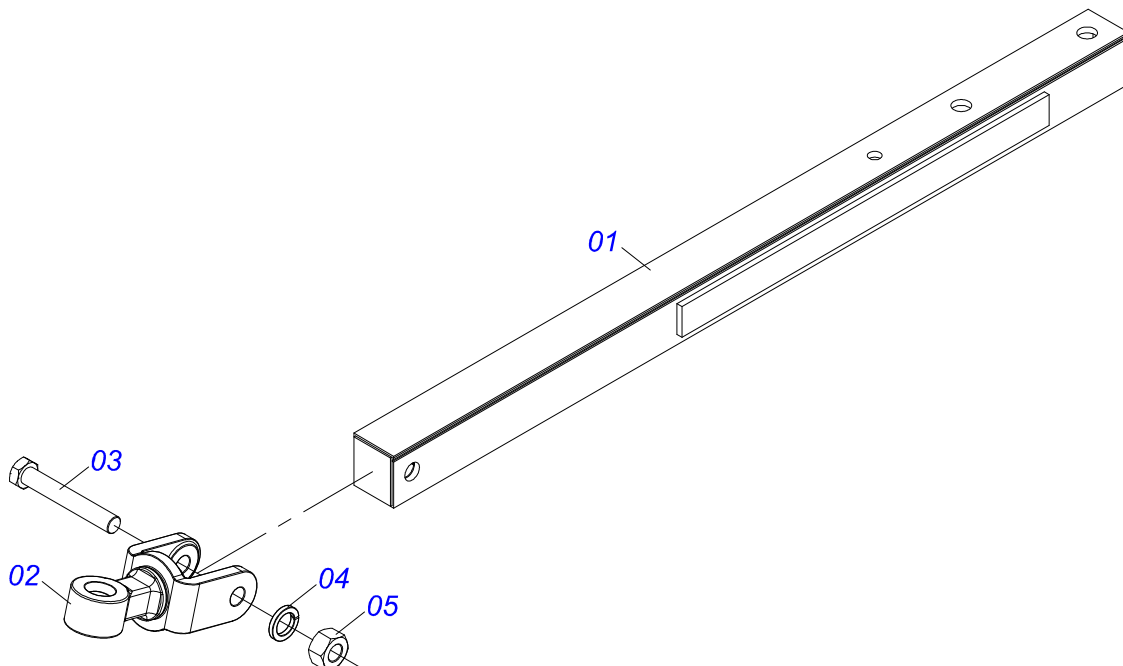
Item	Code	Description	See page	QT
01	0501110728	WHEEL HUB		01
01A	0502011121	CARRYING WHEEL HUB		01
01B	0501010127	9/16" X 1-7/8" LUG BOLT		06
01C	0503010035	9/16" CONIC NUT		06
02	0503010037	30207 ROLLER BEARING		01
03	0503010006	32210 ROLLER BEARING		01
04	0503012928	SEAL		01



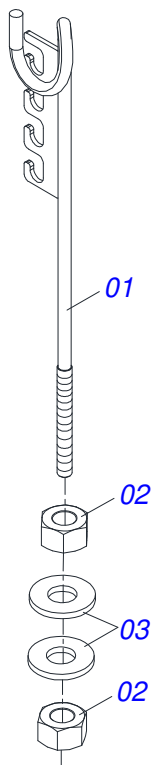
Item	Code	Description	See page	QT
01	0503010893	WHEEL		01
02	0503010033	7.50 X 16 INNER TIRE		01
03	0503010120	CANVAS TIRE		01



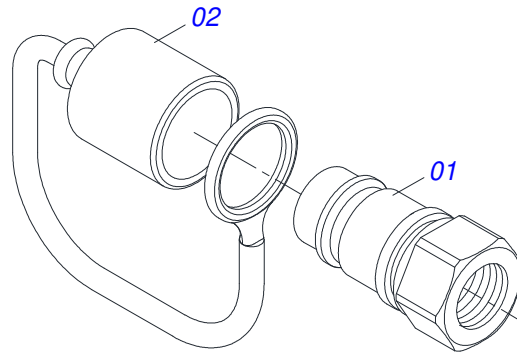
Item	Code	Description	See page	QT
001	0511070658	CYLINDER CASE		01
002	0571019958	HYDRAULIC CYLINDER TURNBUCKLE		01
003	0502040747	32.54 CLEVIS CLAMP		01
004	0503030385	CYLINDER PLUG N-002		02
005	0503010039	D-2000 SCRAPER RING		01
006	0503011094	3/8" X 2" BOLT		01
007	0503011443	3/8" SPRING WASHER		01
008	0503010026	3/8" NUT		01
009	0502012820	50.80 X 101.60 PISTON		01
010	0503010817	1.1/4" SELF LOCKING NUT		01
011	0503018025	RING GUIDE		01
012	0503018026	1870-2000-375 B GASKET		01
013	0503018024	RING BS		01
014	0503010338	2-342 N 3006-9B O'RING		02
015	0503011061	8-342 BACK-UP RING		02
016	0502012822	101.60 END CAP		01
017	0502012821	50.80 X 101.60 RING SUPPORT		01
018	0503018029	2-217 O'RING		01
019	0503015633	SELEMASTER SEALING		01



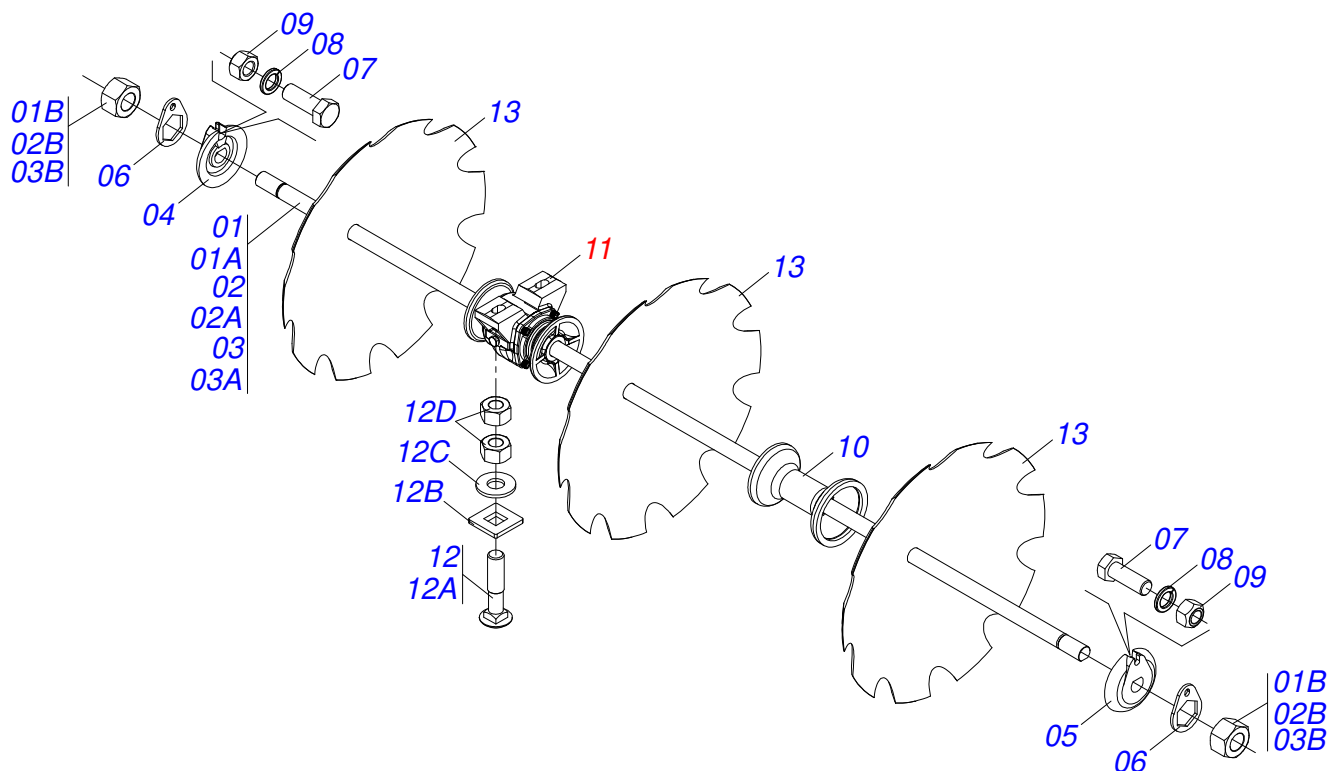
Item	Code	Description	See page	QT
01	0501060188	DRAWBAR ASSY		01
02	0521061775	TRACTOR HITCH		01
03	0501010060	1" X 6-1/2" BOLT		01
04	0503011438	SPRING WASHER		01
05	0501010059	1.5/8 NUT		01



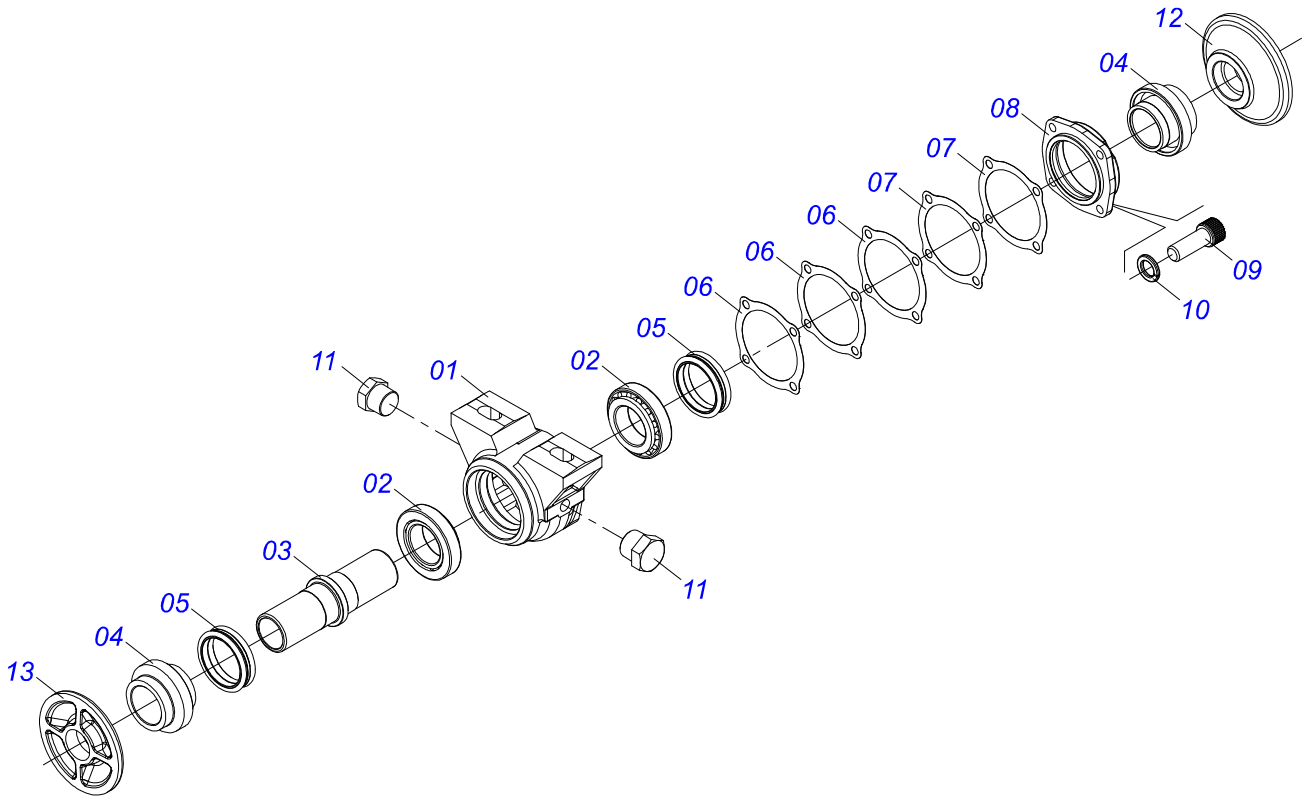
Item	Code	Description	See page	QT
01	0511067334	HOSE SOPPORT ASSY		01
02	0503010014	3/4" NUT		02
03	0501010322	FLAT WASHER		02



Item	Code	Description	See page	QT
01	0503011627	MALE QUICK COUPLER AGR 1/2 NPT		01
02	0503011882	MALE QUICK COUPLER CAP		01



Item	Code	Description	See page	QT
01	0501043835	1.1/2" X 1040 AXLE W/NUT		02
01A	0511010224	1.1/2" X 1040 AXLE		02
01B	0501010110	1.1/2" NUT		04
02	0501043697	1.1/2" X 1505 AXLE ASSY		01
02A	0511012601	1.1/2" X 1505 AXLE		01
02B	0501010110	1.1/2" NUT		02
03	0501043689	1-1/2" X 1275 AXLE W/NUT		01
03A	0511012600	1-1/2" X 1275 AXLE		01
03B	0501010110	1.1/2" NUT		02
04	0502010871	1-1/2" EXTERNAL AXLE WASHER		04
05	0502010872	1-1/2" INNER AXLE WASHER		04
06	0501018592	1.5/8" NUT LOCK		08
07	0503011267	BOLT 5/8 UNC X 1.1/2 C S G.5 ZN		08
08	0503010027	5/8" SPRING WASHER		08
09	0503010013	5/8" NUT		08
10	0502010621	8.8" 1-1/2" SPACER		11
11	0501044315	9" X 1-1/2" OIL BATH BEARING	10	08
12	0501058802	5/8 UNC X 2.3/4 BOLT ASSY		16
12A	0503015154	5/8" X 2.3/4" BOLT		16
12B	0501010947	5/8 NUT LOCK		16
12C	0501012140	FLAT WASHER		16
12D	0503010013	5/8" NUT		32
13	0609030034	NOTCHED RAISED FLAT CENTER DISC BLADES		23



Item	Code	Description	See page	QT
01	0502010540	HOUSING DM		01
02	0503010006	32210 ROLLER BEARING		02
03	0502040611	AXLE		01
04	0502010821	SEAL RETAINER		02
05	0503030026	SEAL LP JB-253		02
06	0503030013	4.4" X 3.5" X 0.004" JOINT		03
07	0503030684	4.4" X 3.5" X 0.004" JOINT		02
08	0502020424	HOUSING CAP		01
09	0503010134	3/8" X 1" BOLT		04
10	0503011443	3/8" SPRING WASHER		04
11	0503010856	OIL PLUG		02
12	0502010604	OUTER FLANGE		01
13	0502010605	INNER FLANGE		01



www.marchesan.com.br



Technical Publications | Elaboration and Revision
ALESSANDRA PATRICIA KAWAHARA CARRILI