

PARTS CATALOGUE

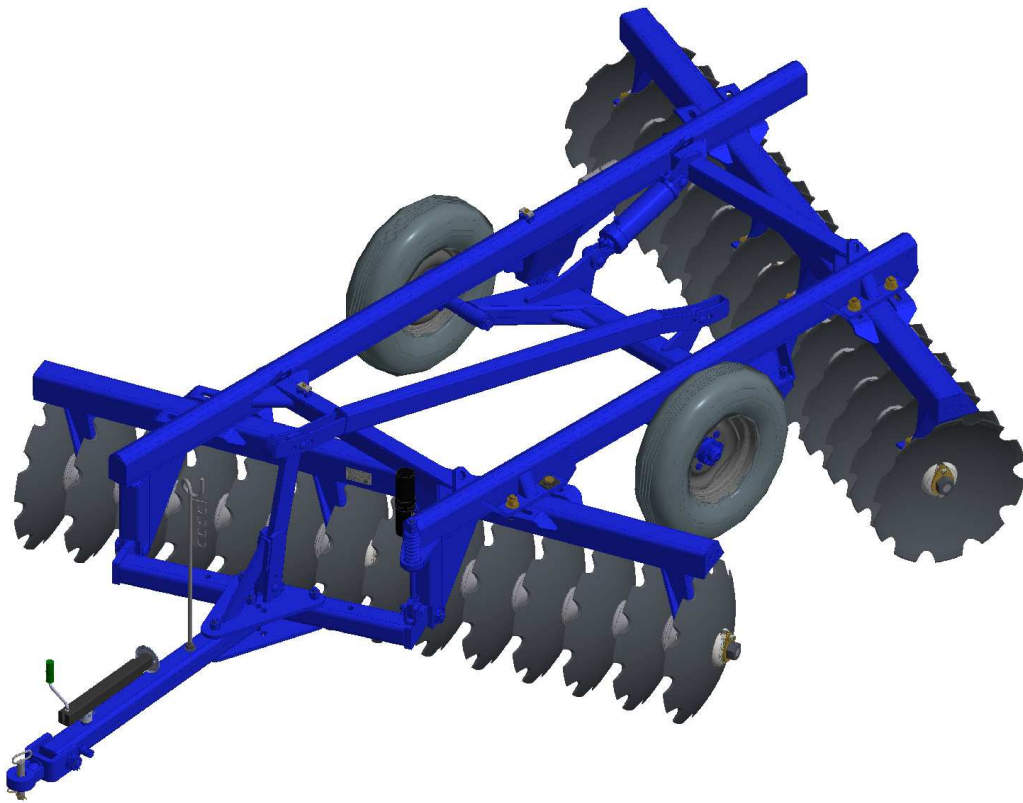
OFFSET DISK HARROW

Code:

0501092275

Product:

ATCRL 6009 - 20/24/28/32/36D - TERRAMEC



Series:

S-1091

Revision:

00

Date Revision:

JULHO/2018



PRODUCTS

Code	Description
0102440328	ATCRL 6009 20X24X4,75 DM TERR S1091
0102440326	ATCRL 6009 24X24X4,75 DM TERR S1091
0102440325	ATCRL 6009 28X24X4,75 DM TERR S1091
0102440324	ATCRL 6009 32X24X4,75 DM TERR S1091
0102440335	ATCRL 6009 36X24X4,75 DM TERR S1091
0102440336	ATCRL 6009 36X26X6,00 DM TERR S1091

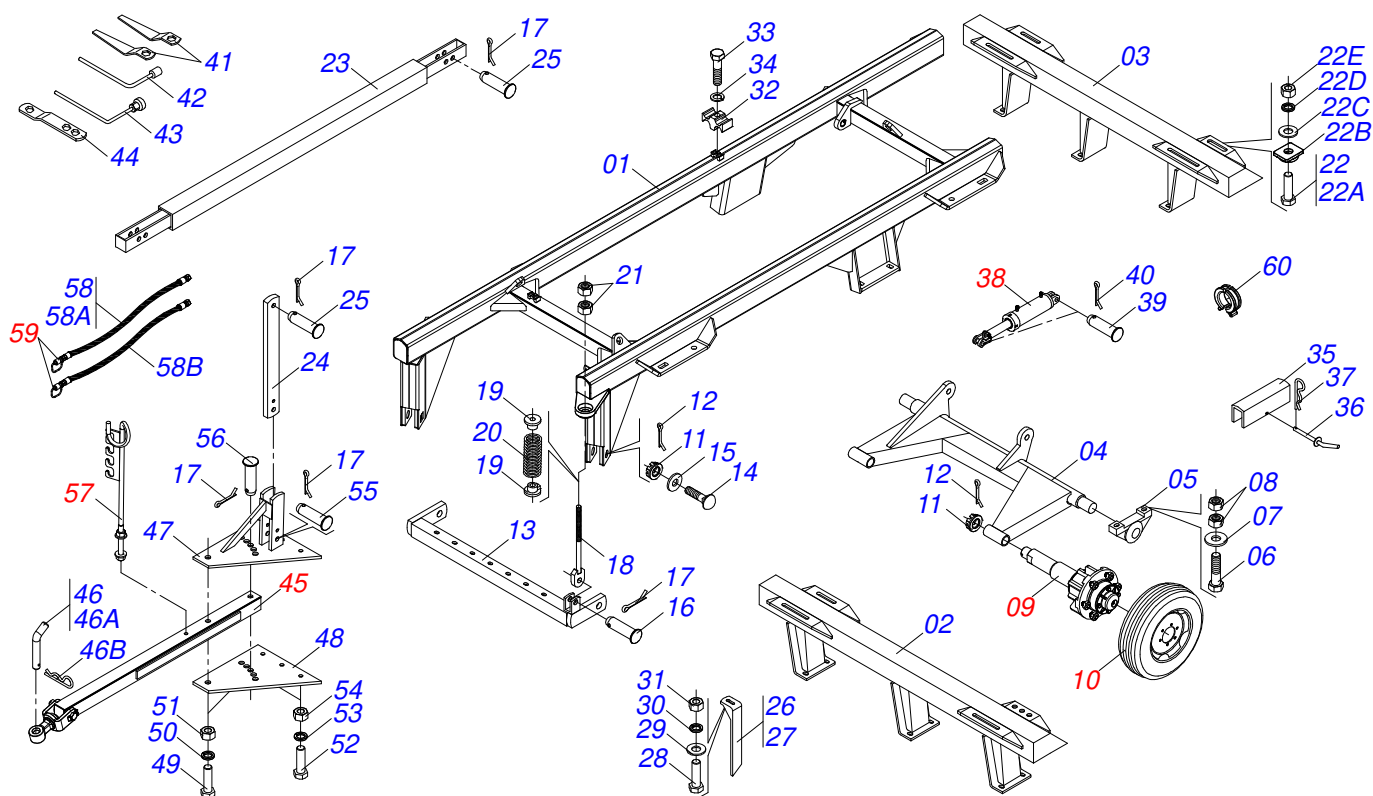
ATTENTION: IMPORTANT

Marchesan S.A. reserves the right to improve and / or modify the technical features of its products, without obligation to do the same with those products already sold and without prior knowledge of the dealer or the consumer.



INDEX

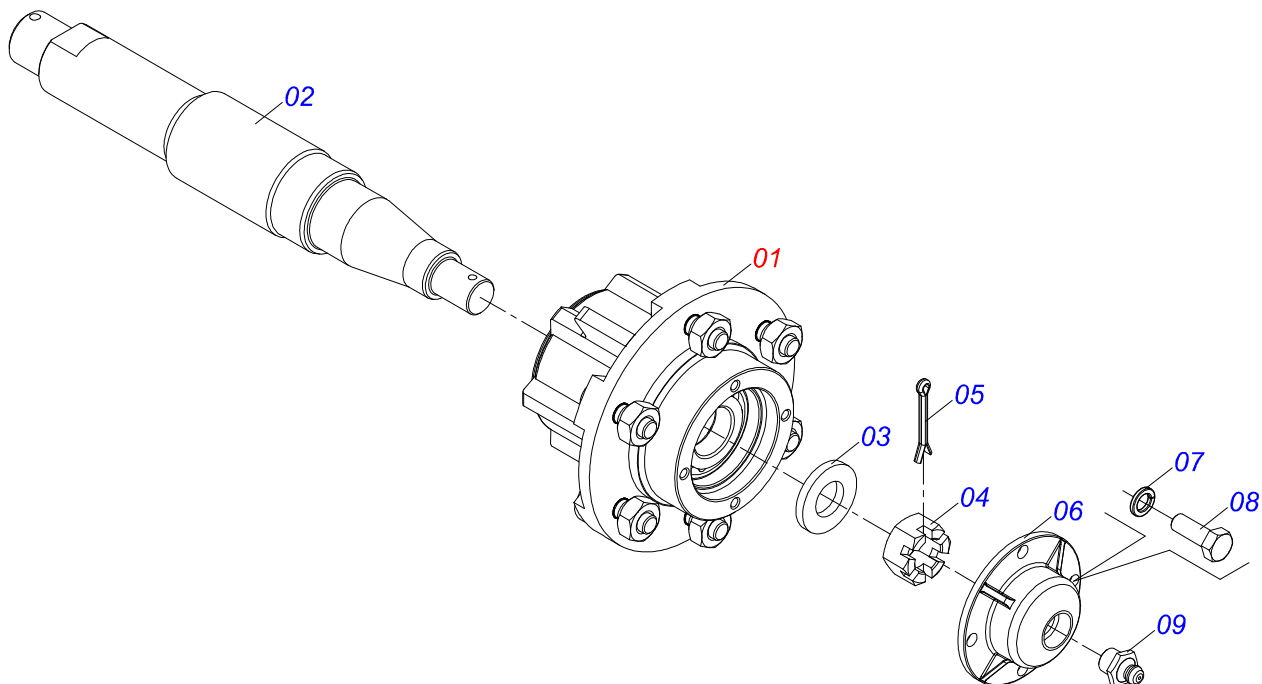
0909092746	20/24/28/32/36D - FRAME ASSY	1
0501051634	TSTUB SHAFT & HUB ASSY	2
0501051142	CARRYING WHEEL HUB	3
0503060091	L29.5"X0.63"-10L WHEEL AND	4
0501044596	DRAWBAR ASSY TERAMEC	5
0511059180	HYDRAULIC CYLINDER	6
0501040257	3/4 X 1200 HOSE HOLDER A	7
0501053834	MALE QUICK COUPLER WITH CAP - 1/2 NPT	8
0909091175	20/24/28/32/36D - TERRAMEC - DISC GANG SECTION	9
0501044315	9" X 1-1/2" OIL BATH BEARING	10



Item	Code	Description	See page	20	24	28	32	36
01	0501065311	ATCRL 18A25 CENTER FRAMEAM		01	01	00	00	00
01.	0501068765	ATCRL 28 A 36 CENTER FRAME		00	00	01	01	01
02	0501065314	FRONT GANG CARRIER		01	00	00	00	00
02.	0501065591	FRONT GANG CARRIER		00	01	00	00	00
02..	0501065809	FRONT GANG CARRIER		00	00	01	00	00
02...	0501066116	FRONT GANG CARRIER		00	00	00	01	00
02....	0501066118	FRONT GANG CARRIER		00	00	00	00	01
03	0501065315	REAR GANG CARRIER		01	00	00	00	00
03.	0501065592	REAR GANG CARRIER		00	01	00	00	00
03..	0501065810	REAR GANG CARRIER		00	00	01	00	00
03...	0501066117	REAR FRAME		00	00	00	01	00
03....	0501066119	REAR GANG CARRIER		00	00	00	00	01
04	0501065518	CARRYING-WHEELS		01	01	01	01	01
05	0501110856	ARTICULACION BEARING		02	02	02	02	02
06	0503010797	3/4" X 4" BOLT		04	04	04	04	04
07	0501010322	FLAT WASHER		04	04	04	04	04
08	0503010014	3/4" NUT		08	08	08	08	08
09	0501051634	TSTUB SHAFT & HUB ASSY	2	02	02	02	02	02
10	0503060091	L29.5"X0.63"-10L WHEEL AND	4	02	02	02	02	02
11	0501011301	1.1/2 UNC 6FPP 2.5/16 NUT		04	04	04	04	04
12	0503010010	1/4" X 2.1/2" COTTERPIN		04	04	04	04	04
13	0501063260	OFFSET BAR		01	01	01	01	01
14	0521017538	11-1/2" X 5" COUPLING SHAFT		02	02	02	02	02
15	0511019880	FLAT WASHER		02	02	02	02	02
16	0521010592	1.1" X 3.1" COUPLING SHAFT		01	01	01	01	01
17	0503010571	1/4" X 1.1/2 COTTERPIN		05	05	05	05	05
18	0501064698	SPRING ROD		01	01	01	01	01
19	0502020392	SPRING SUPPORT		02	02	02	02	02
20	0503030441	12.7" X 5.7" X 0.5"SPRING		01	01	01	01	01
21	0501010059	1.5/8 NUT		04	04	04	04	04
22	0501040877	C1" X 3-1/4" ASSY BOLT		08	08	08	08	08



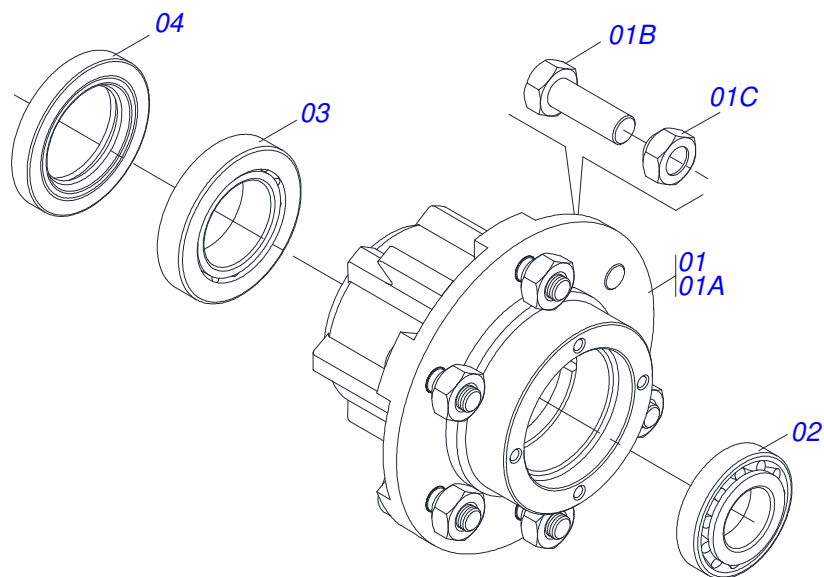
Item	Code	Description	See page	20	24	28	32	36
22A	0501010171	PARAFUSO 1 UNC X 3.1/2 C S G.5		08	08	08	08	08
22B	0502012861	1" SQUARE WASHER		08	08	08	08	08
22C	0501010065	1" SPRING WASHER		08	08	08	08	08
22D	0503010012	1" SPRING WASHER		08	08	08	08	08
22E	0501010059	1.5/8 NUT		08	08	08	08	08
23	0501044596	DRAWBAR ASSY TERAMEC	5	01	01	01	01	01
24	0511012972	TSTABILIZER BAR TOWER		01	01	01	01	01
25	0521810576	COUPLING SHAFT		02	02	02	02	02
26	0501064168	REAR SCRAPER		05	07	09	11	11
26.	0501066449	CLEANER FRONT		04	04	04	04	06
27	0501064167	REAR SCRAPER		05	07	09	11	11
27.	0501066450	CLEANER REAR		04	04	04	04	06
28	0503011082	C1/2" X 1.3/4" SCREW		36	44	52	60	68
29	0511017302	FLAT WASHER		36	44	52	60	68
30	0503010019	1/2" SPRING WASHER		36	44	52	60	68
31	0503010060	1/2" NUT		36	44	52	60	68
32	0502012702	BODY SUPPORT CLAMP		02	02	02	02	02
33	0503012555	SCREW 7/16 UNC X 2 CS RT G.7 ZN		02	02	02	02	02
34	0503010180	7/16" SPRING WASHER		02	02	02	02	02
35	0511010839	TRANSPORT LOCK 7.9" X 2.1" X 0.4"		01	01	01	01	01
36	0501068994	0.3" X 3.1"LOCK PIN		01	01	01	01	01
37	0503030168	HAIR PIN		01	01	01	01	01
38	0511059180	HYDRAULIC CYLINDER	6	01	01	01	01	01
39	0521012538	1.2" X 3.5" COUPLING SHAFT		02	02	02	02	02
40	0503010523	1/4" X 2" COTTERPIN		02	02	02	02	02
41	0501011432	1-1/2" AND 1-5/8 GANG BOLT WRENCH		02	02	02	02	02
42	0501068273	5/8" WRENCH		01	01	01	01	01
43	0501061617	1" GANG BOLT WRENCH		01	01	01	01	01
44	0511018451	5/8" X 3/4" X 1" UNIVERSAL		01	01	01	01	01
45	0501044596	DRAWBAR ASSY TERAMEC	5	01	01	01	01	01
46	0501040343	DRAWBOLT ASSY		01	01	01	01	01
46A	0521010453	GCOUPLING SHAFT		01	01	01	01	01
46B	0503031035	HAIR PIN		01	01	01	01	01
47	0501066099	UPPER PLATE WITH SUPPORT		01	01	01	01	01
48	0501010241	UPPER /LOWER PLATE		01	01	01	01	01
49	0501010060	1" X 6-1/2" BOLT		02	02	02	02	02
50	0503011438	SPRING WASHER		02	02	02	02	02
51	0501010059	1.5/8 NUT		02	02	02	02	02
52	0503011198	C3/4" X 6" SCREW		03	03	03	03	03
53	0503011442	3/4" SPRING WASHER		03	03	03	03	03
54	0503010014	3/4" NUT		03	03	03	03	03
55	0521010575	C0.9" X 3.3" COUPLING SHAFT		01	01	01	01	01
56	0521010584	C0.9" X 5.7" COUPLING SHAFT		01	01	01	01	01
57	0501040257	3/4 X 1200 HOSE HOLDER A	7	01	01	01	01	01
58	0503011360	HOSE KIT		01	01	01	01	01
58A	0501080443	3/8" X 236" TR-TM HOSE		01	01	01	01	01
58B	0501080421	3/8" X 230" TR-TM HOSE ASS		01	01	01	01	01
59	0501053834	MALE QUICK COUPLER WITH CAP - 1/2 NPT	8	02	02	02	02	02
60	0501047895	ROD STOP		04	04	04	04	04



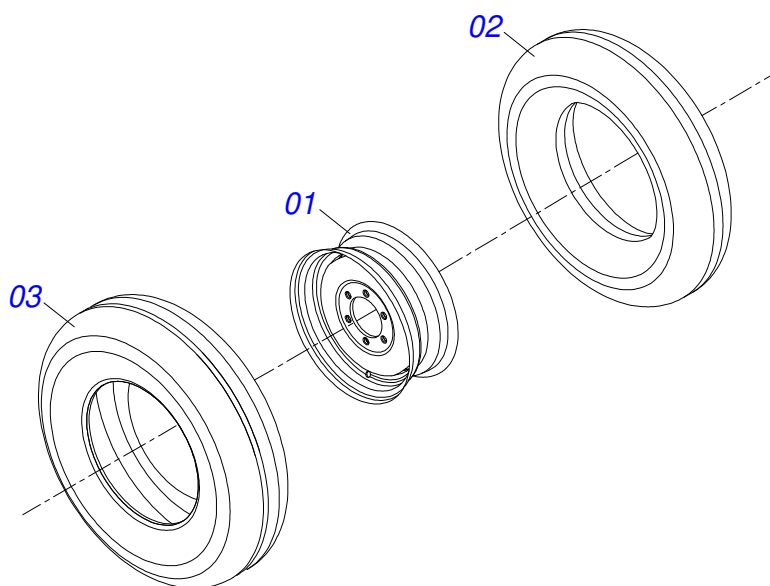
Item	Code	Description	See page	QT
01	0501051142	CARRYING WHEEL HUB	3	01
02	0521010821	2.5" X 16.5" AXLE		01
03	0501016545	FLAT WASHER		01
04	0503030009	1" CASTLE NUT		01
05	0503010018	5/32 X 1-1/2 COTTERPIN		01
06	0502020591	PROTECCION COVER		01
07	0503011444	SPRING WASHER		04
08	0503010358	5/16" X 5/8" BOLT		04
09	0503010002	1800 GREASE FITTING		01

CARRYING WHEEL HUB

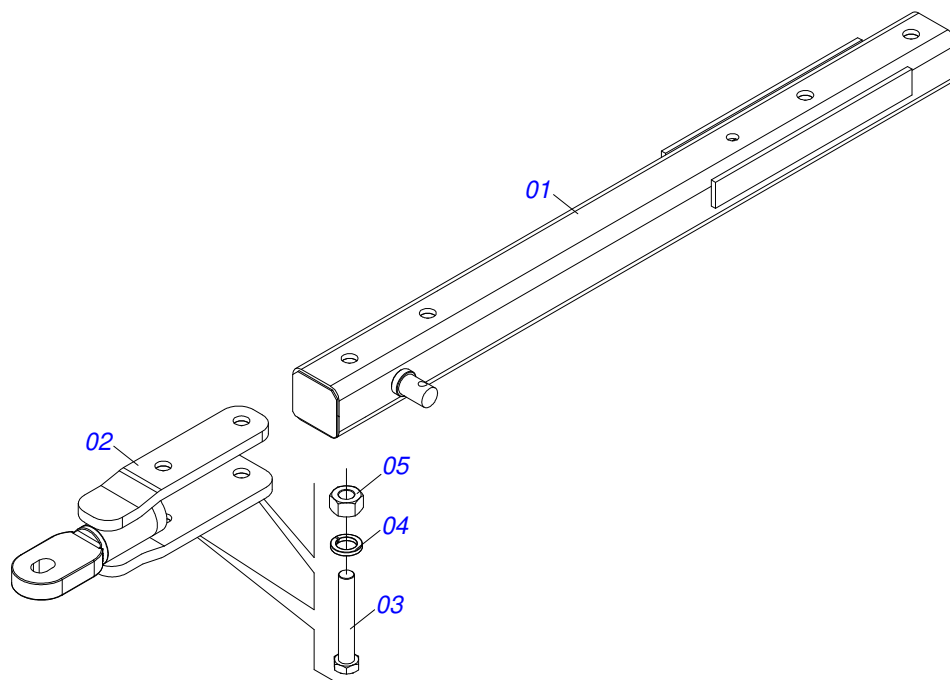
0501051142



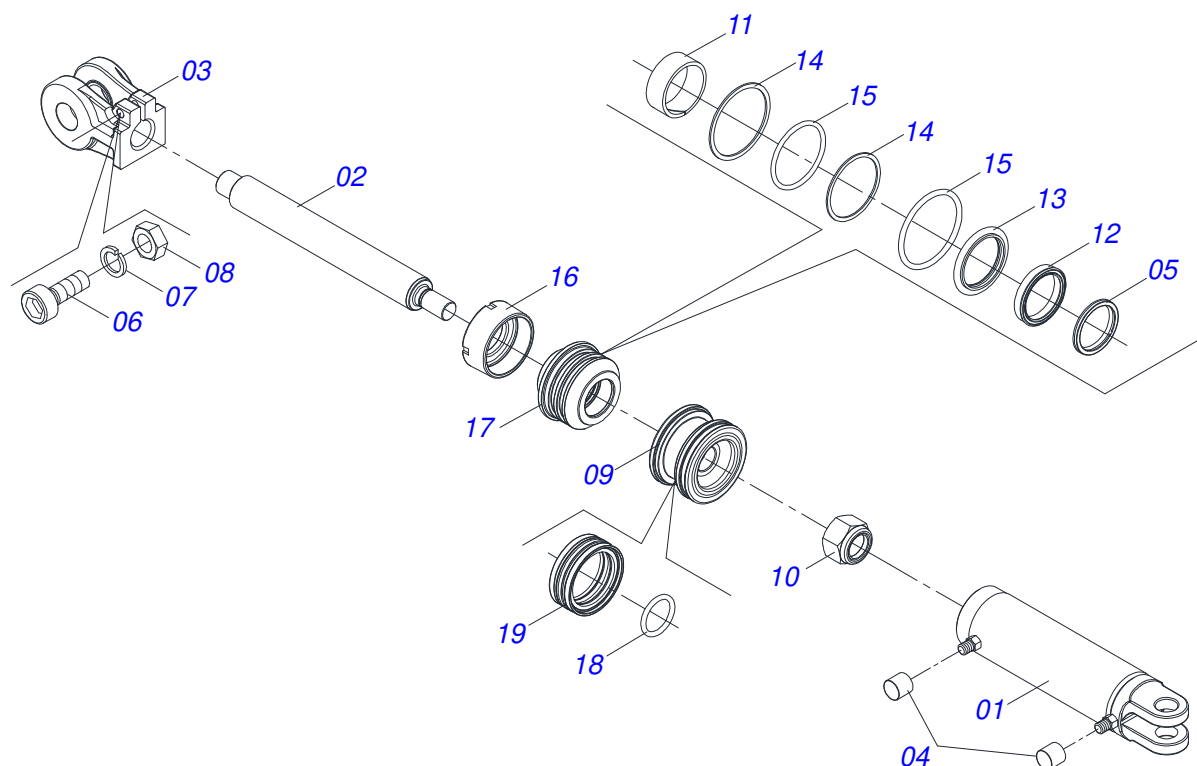
Item	Code	Description	See page	QT
01	0501110728	WHEEL HUB		01
01A	0502011121	CARRYING WHEEL HUB		01
01B	0501010127	9/16" X 1-7/8" LUG BOLT		06
01C	0503010035	9/16" CONIC NUT		06
02	0503010037	30207 ROLLER BEARING		01
03	0503010006	32210 ROLLER BEARING		01
04	0503012928	SEAL		01



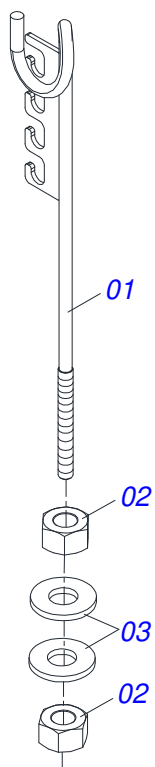
Item	Code	Description	See page	QT
01	0503010893	WHEEL		01
02	0503010033	7.50 X 16 INNER TIRE		01
03	0503010120	CANVAS TIRE		01



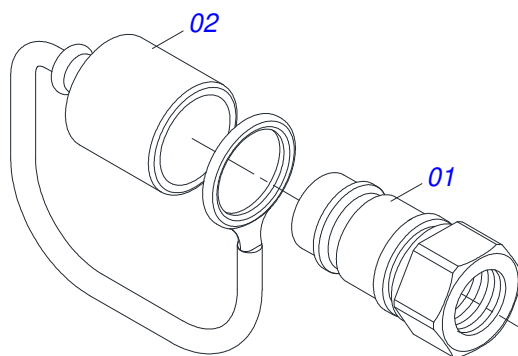
Item	Code	Description	See page	QT
01	0501066559	DRAWBAR		01
02	0501066560	TRACTOR HITCH		01
03	0501010060	1" X 6-1/2" BOLT		02
04	0503010012	1" SPRING WASHER		02
05	0501010059	1.5/8 NUT		02



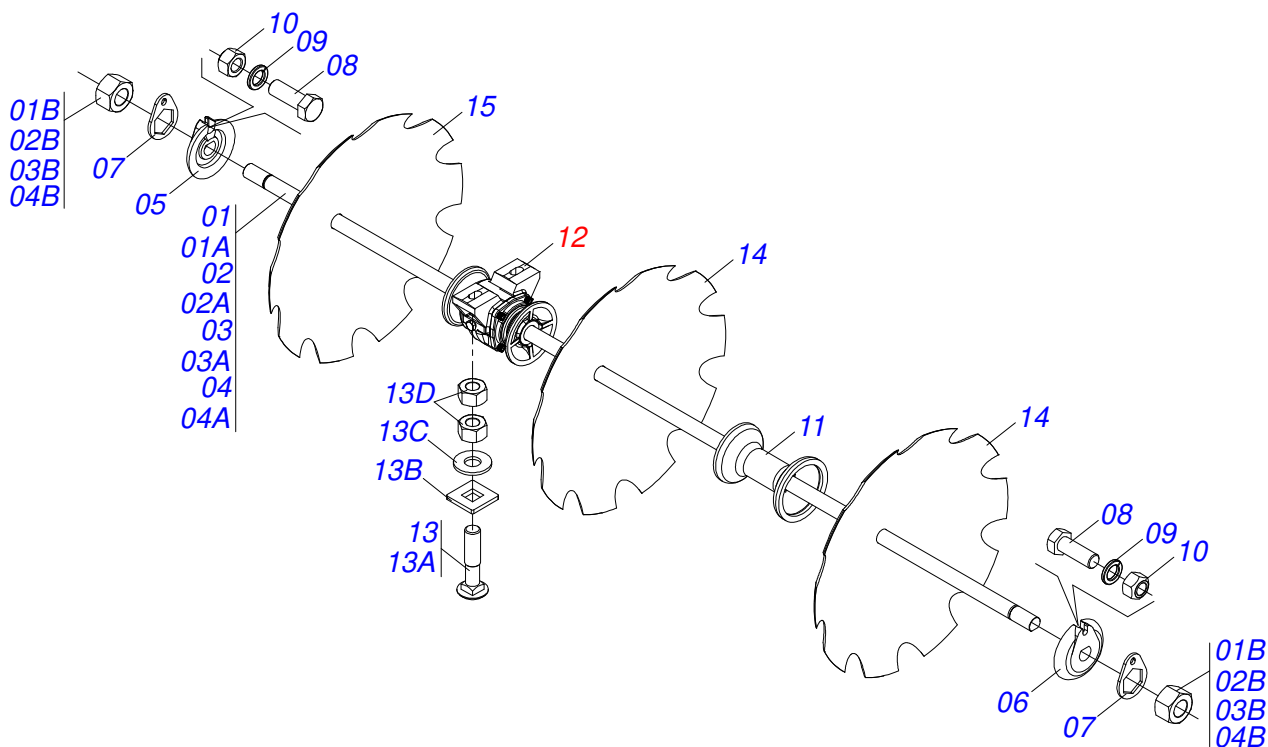
Item	Code	Description	See page	QT
001	0511070658	CYLINDER CASE		01
002	0571019958	HYDRAULIC CYLINDER TURNBUCKLE		01
003	0502040747	32.54 CLEVIS CLAMP		01
004	0503030385	CYLINDER PLUG N-002		02
005	0503010039	D-2000 SCRAPER RING		01
006	0503011094	3/8" X 2" BOLT		01
007	0503011443	3/8" SPRING WASHER		01
008	0503010026	3/8" NUT		01
009	0502012820	50.80 X 101.60 PISTON		01
010	0503010817	1.1/4" SELF LOCKING NUT		01
011	0503018025	RING GUIDE		01
012	0503018026	1870-2000-375 B GASKET		01
013	0503018024	RING BS		01
014	0503010338	2-342 N 3006-9B O'RING		02
015	0503011061	8-342 BACK-UP RING		02
016	0502012822	101.60 END CAP		01
017	0502012821	50.80 X 101.60 RING SUPPORT		01
018	0503018029	2-217 O'RING		01
019	0503015633	SELEMASTER SEALING		01



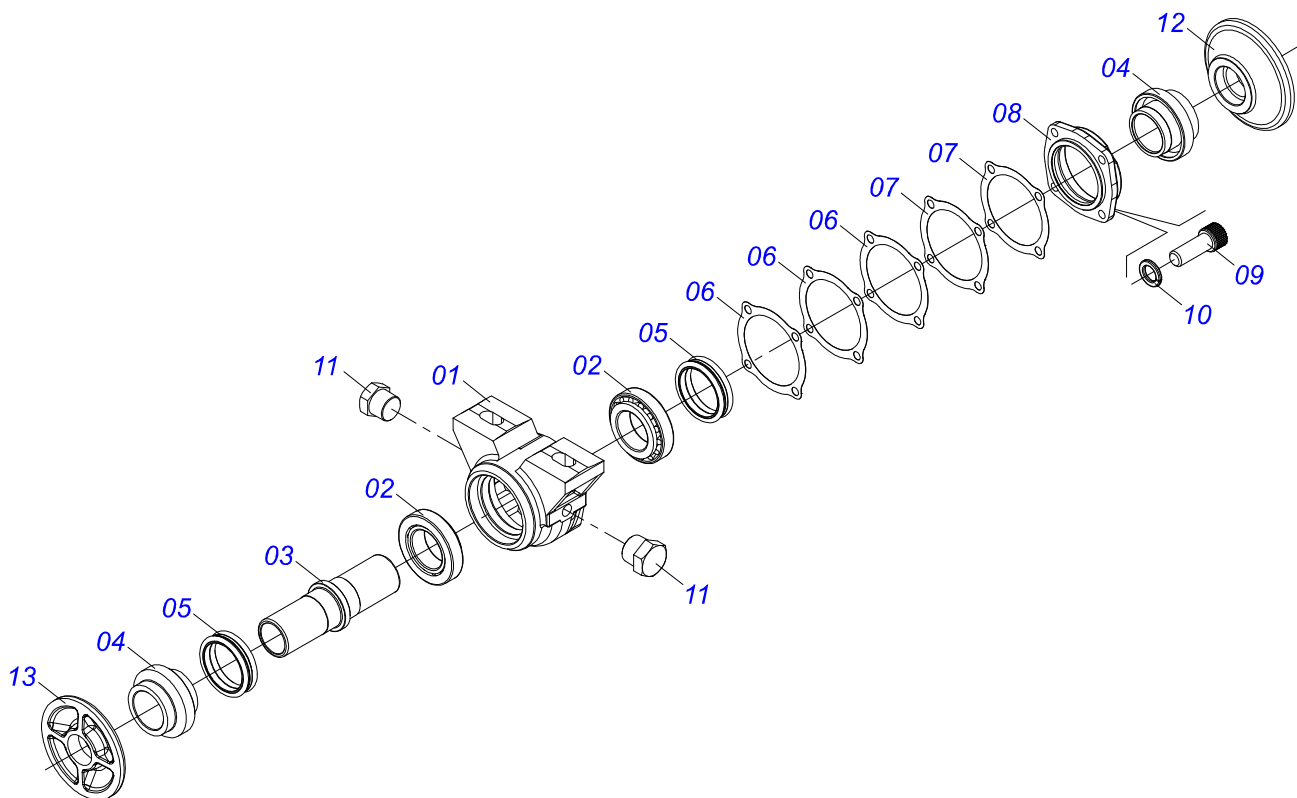
Item	Code	Description	See page	QT
01	0511067334	HOSE SOPPORT ASSY		01
02	0503010014	3/4" NUT		02
03	0501010322	FLAT WASHER		02



Item	Code	Description	See page	QT
01	0503011627	MALE QUICK COUPLER AGR 1/2 NPT		01
02	0503011882	MALE QUICK COUPLER CAP		01



Item	Code	Description	See page	20	24	28	32	36
01	0501043835	1.1/2" X 1040 AXLE W/NUT		04	00	00	00	00
01A	0511010224	1.1/2" X 1040 AXLE		04	00	00	00	00
01B	0501010110	1.1/2" NUT		08	00	00	00	00
02	0501043689	1-1/2" X 1275 AXLE W/NUT		00	04	00	00	06
02A	0511012600	1-1/2" X 1275 AXLE		00	04	00	00	06
02B	0501010110	1.1/2" NUT		00	08	00	00	12
03	0501043697	1.1/2" X 1505 AXLE ASSY		00	00	04	00	00
03A	0511012601	1.1/2" X 1505 AXLE		00	00	04	00	00
03B	0501010110	1.1/2" NUT		00	00	08	00	00
04	0501043837	1-1/2" X 68" AXLE WITH NUTS		00	00	00	04	00
04A	0511010225	1-1/2" X 68" AXLE		00	00	00	04	00
04B	0501010110	1.1/2" NUT		00	00	00	08	00
05	0502010871	1-1/2" EXTERNAL AXLE WASHER		04	04	04	04	06
06	0502010872	1-1/2" INNER AXLE WASHER		04	04	04	04	06
07	0501018592	1.5/8" NUT LOCK		08	08	08	08	12
08	0503011267	BOLT 5/8 UNC X 1.1/2 C S G.5 ZN		08	08	08	08	12
09	0503010027	5/8" SPRING WASHER		08	08	08	08	12
10	0503010013	5/8" NUT		08	08	08	08	12
11	0502010621	8.8" 1-1/2" SPACER		08	12	16	20	18
12	0501044315	9" X 1-1/2" OIL BATH BEARING	10	08	08	08	08	12
13	0501058802	5/8 UNC X 2.3/4 BOLT ASSY		16	16	16	16	24
13A	0503015154	5/8" X 2.3/4" BOLT		16	16	16	16	24
13B	0501010947	5/8 NUT LOCK		16	16	16	16	24
13C	0501012140	FLAT WASHER		16	16	16	16	24
13D	0503010013	5/8" NUT		32	32	32	32	48
14	0602030237	24" X 4.75" NOTCHED DISC BLADE		20	24	28	32	36
15	0602033231	26X6 NOTCHED DISC BLADE		00	00	00	00	36



Item	Code	Description	See page	QT
01	0502010540	HOUSING DM		01
02	0503010006	32210 ROLLER BEARING		02
03	0502040611	AXLE		01
04	0502010821	SEAL RETAINER		02
05	0503030026	SEAL LP JB-253		02
06	0503030013	4.4" X 3.5" X 0.004" JOINT		03
07	0503030684	4.4" X 3.5" X 0.004" JOINT		02
08	0502020424	HOUSING CAP		01
09	0503010134	3/8" X 1" BOLT		04
10	0503011443	3/8" SPRING WASHER		04
11	0503010856	OIL PLUG		02
12	0502010604	OUTER FLANGE		01
13	0502010605	INNER FLANGE		01



www.marchesan.com.br



Technical Publications | Elaboration and Revision
ALESSANDRA PATRICIA KAWAHARA CARRILI