

**OFFSET DISK HARROW**

**GAIM 12/14/16/18/20D WITH PA**

**Code:** 0501092266

**Series:** S-0292

**Revision:** 00

**Date Revision:** JULHO/2018

# PARTS CATALOGUE



**MARCHESAN**



# PRODUCTS

Code	Description
0102250085	GAIM 12 X 26 X 6,00 CM PA S-0292
0102250095	GAIM 12 X 26 X 6,00 DM PA S-0292
0102250086	GAIM 12 X 28 X 6,00 CM PA S-0292
0102250096	GAIM 12 X 28 X 6,00 DM PA S-0292
0102250170	GAIM 12 X 28 X 7,50 DM PA S-0292
0102250087	GAIM 14 X 26 X 6,00 CM PA S-0292
0102250097	GAIM 14 X 26 X 6,00 DM PA S-0292
0102250088	GAIM 14 X 28 X 6,00 CM PA S-0292
0102250098	GAIM 14 X 28 X 6,00 DM PA S-0292
0102250089	GAIM 16 X 26 X 6,00 CM PA S-0292
0102250099	GAIM 16 X 26 X 6,00 DM PA S-0292
0102250090	GAIM 16 X 28 X 6,00 CM PA S-0292
0102250100	GAIM 16 X 28 X 6,00 DM PA S-0292
0102250132	GAIM 16 X 28 X 7,50 DM PA S-0292
0102250091	GAIM 18 X 26 X 6,00 CM PA S-0292
0102250101	GAIM 18 X 26 X 6,00 DM PA S-0292
0102250092	GAIM 18 X 28 X 6,00 CM PA S-0292
0102250102	GAIM 18 X 28 X 6,00 DM PA S-0292
0102250093	GAIM 20 X 26 X 6,00 CM PA S-0292
0102250103	GAIM 20 X 26 X 6,00 DM PA S-0292
0102250094	GAIM 20 X 28 X 6,00 CM PA S-0292
0102250104	GAIM 20 X 28 X 6,00 DM PA S-0292
0102250156	GAIM 20 X 28 X 7,50 CM PA S-0292

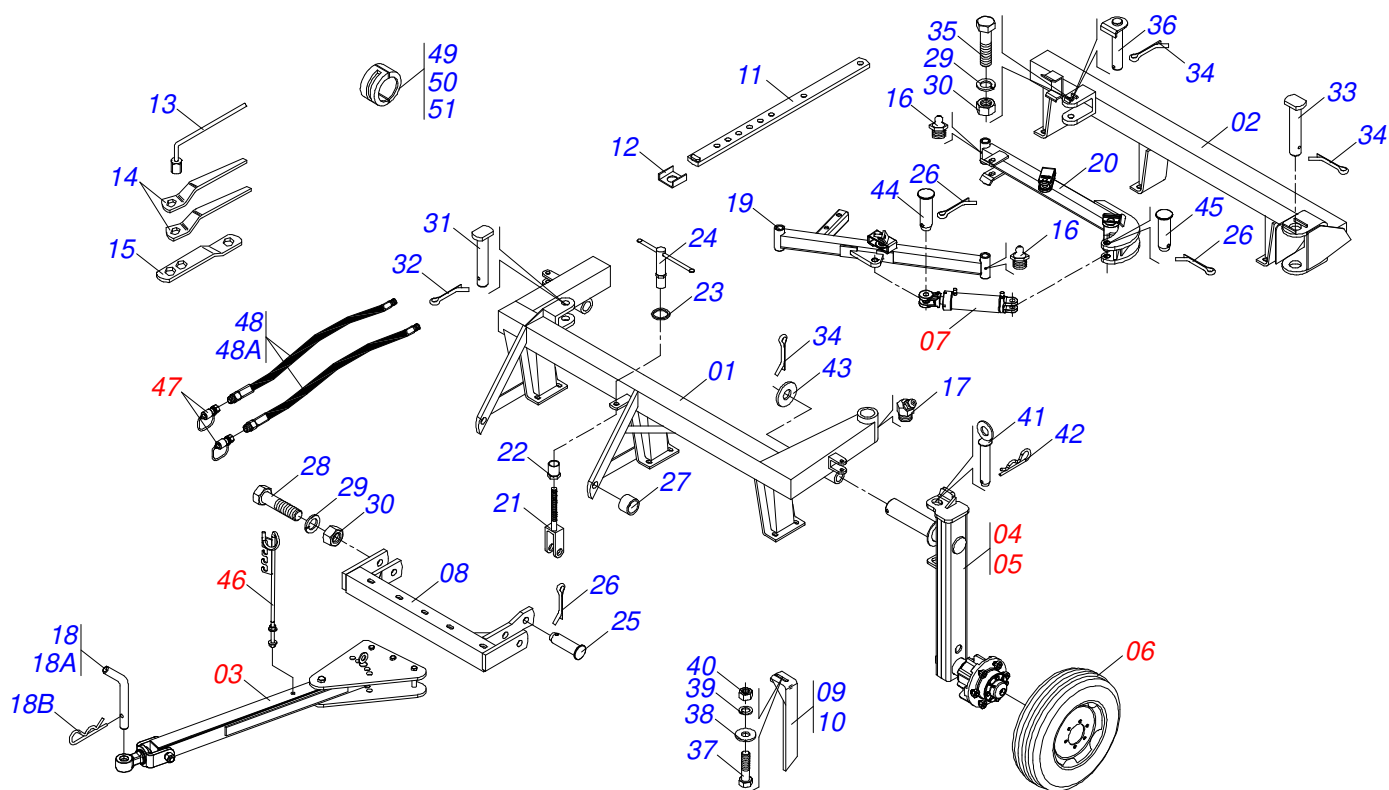
## ATTENTION: IMPORTANT

Marchesan S.A. reserves the right to improve and/or modify the technical features of its products, without obligation to do the same with those products already sold and without prior knowledge of the dealer or the customer. The photos are only illustrative.



# INDEX

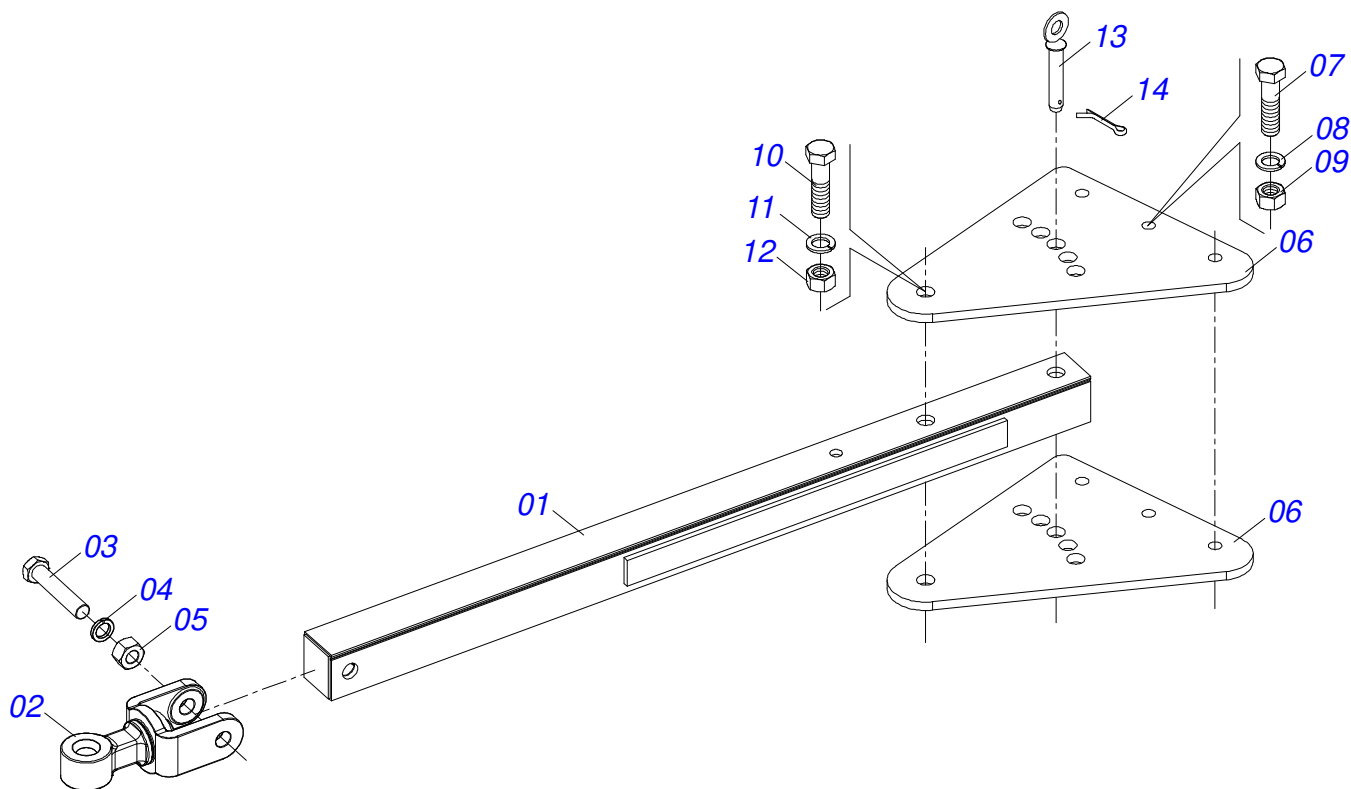
0909094303	GAIM 12/14/16/18/20D WITH PA	.....	1
0501042816	ASSY TRACTION BAR	.....	2
0501051632	RIGHT STUB SHAFT & HUB ASSY	.....	3
0501051633	LEFT STUB SHAFT & HUB ASSY	.....	4
0501051142	CARRYING WHEEL HUB	.....	5
0503060094	WHEEL AND TIRE ASSY	.....	6
0511058424	HYDRAULIC CYLINDER	.....	7
0501040257	ASSY 3/4 X 38 HOSE SUPPORT	.....	8
0501053834	MALE QUICK COUPLER	.....	9
0909094302	12/14/16/18/20D - DISC GANG SECTION	.....	10
0501046925	262 X 1-5/8" OIL BATH BRG ASSY,FG	.....	11



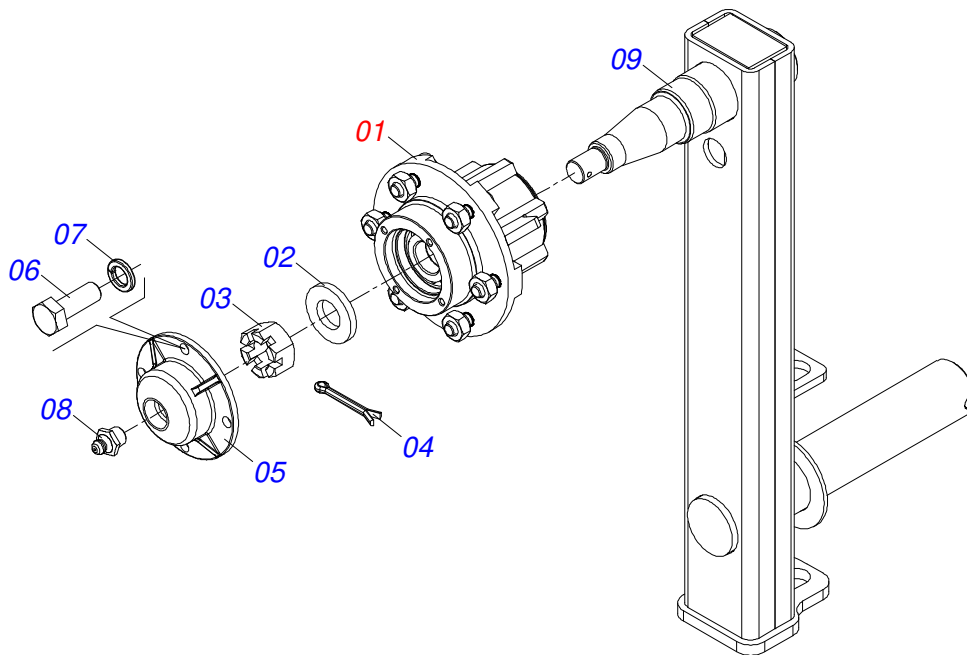
Item	Code	Description	See page	12	14	16	18	20
01	0501065494	FRAME FRONT		01	00	00	00	00
01.	0501065525	FRAME FRONT		00	01	00	00	00
01..	0501065529	FRAME FRONT		00	00	01	00	00
01...	0501065537	FRAME FRONT		00	00	00	01	00
01....	0501065541	FRAME FRONT		00	00	00	00	01
02	0501065495	REAR FRAME		01	00	00	00	00
02.	0501065526	REAR FRAME		00	01	00	00	00
02..	0501065530	REAR FRAME		00	00	01	00	00
02...	0501065538	REAR FRAME		00	00	00	01	00
02....	0501065542	REAR FRAME		00	00	00	00	01
03	0501042816	ASSY TRACTION BAR	2	01	01	01	01	01
04	0501051632	RIGHT STUB SHAFT & HUB ASSY	3	01	01	01	01	01
05	0501051633	LEFT STUB SHAFT & HUB ASSY	4	01	01	01	01	01
06	0503060094	WHEEL AND TIRE ASSY	6	02	02	02	02	02
07	0511058424	HYDRAULIC CYLINDER	7	01	01	01	01	01
08	0501065547	OFFSET BAR		01	00	00	00	00
08.	0501065548	OFFSET BAR		00	00	01	00	00
08..	0501065549	OFFSET BAR		00	01	00	01	01
09	0501064168	REAR SCRAPER		03	04	04	04	05
10	0501064167	REAR SCRAPER		03	04	04	04	05
11	0501064196	ADJUSTMENT BAR		01	00	00	00	00
11.	0501064198	ADJUSTMENT BAR		00	01	00	00	00
11..	0501064197	ADJUSTMENT BAR		00	00	01	01	01
12	0501011649	U 1.2" X 3.1" X 3/16" BAR		01	01	01	01	01
13	0501061609	3/4" WRENCH CABLE CYLINDRICAL		01	01	01	01	01
14	0501011431	1-3/4" GANG BOLT WRENCH		02	02	02	02	02
15	0501010095	5/8" X 3/4" X 1" UNIVERSAL WRENCH		01	01	01	01	01
16	0503010002	1800 GREASE FITTING		02	02	02	05	05
17	0503010003	1845 GREASE FITTING		01	01	01	01	01
18	0501040343	DRAWBOLT ASSY		01	01	01	01	01
18A	0501010523	DRAWBOLT		01	01	01	01	01



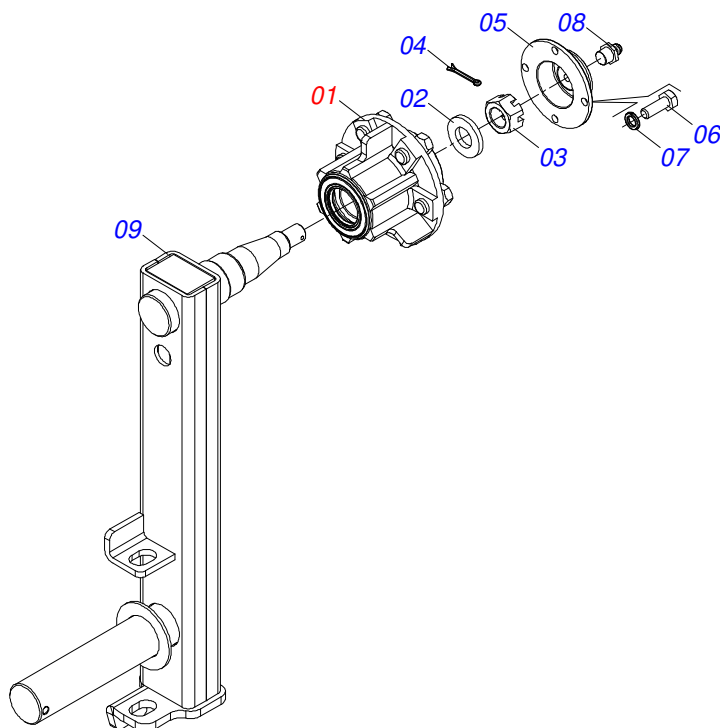
Item	Code	Description	See page	12	14	16	18	20
18B	0503031035	HITCH PIN CLIP		01	01	01	01	01
19	0501062507	FRONT STABILIZER BAR		00	00	01	01	01
20	0501062509	REAR STABILIZER BAR		00	00	01	01	01
21	0501060201	REGULATOR BOLT		01	01	01	01	01
22	0501068984	BUSHING WITH NUT		01	01	01	01	01
23	0501014509	FLAT WASHER		01	01	01	01	01
24	0501110265	BUSHING WITH CRANK		01	01	01	01	01
25	0521010571	COUPLING SHAFT		01	01	01	01	01
26	0503010571	1/4" X 1.1/2 COTTERPIN		03	03	03	03	03
27	0511019921	1.3" X 0.1" X 1" SLEEVE		02	02	02	02	02
28	0501011547	1" X 4-1/2" BOLT		02	02	02	02	02
29	0503010012	1" SPRING WASHER		03	03	03	03	03
30	0501010059	1.5/8 NUT		03	03	03	03	03
31	0521010644	1.5" X 8.4" COUPLING SHAFT		00	00	01	01	01
32	0503010534	3/8 X 2-1/2 COTTERPIN		00	00	01	01	01
33	0501065487	2.4" X 123" COUPLING SHAFT		01	01	01	01	01
34	0503010073	3/8 X 3-1/2 COTTERPIN		04	04	04	04	04
35	0503011432	BOLT		01	01	00	00	00
36	0501062195	37,5 X 182 - JUNCTION SHAFT		01	01	01	01	01
37	0503011082	C1/2" X 1.3/4" SCREW		12	16	16	16	20
38	0511017302	FLAT WASHER 13,50 X 32,50 X 3,0 ZN		12	16	16	16	20
39	0503010019	1/2" SPRING WASHER		12	16	16	16	20
40	0503010060	1/2 UNC G.5 ZN HEX NUT		12	16	16	16	20
41	0501068993	0.9" X 5.5" COUPLING SHAFT		02	02	02	02	02
42	0503030168	HITCH PIN CLIP		02	02	02	02	02
43	0501010246	FLAT WASHER		02	02	02	02	02
44	0521012538	1.2" X 3.5" COUPLING SHAFT		01	01	01	01	01
45	0521010546	1.2" X 5.7" COUPLING SHAFT		01	01	01	01	01
46	0501040257	ASSY 3/4 X 38 HOSE SUPPORT	8	01	01	01	01	01
47	0501053834	MALE QUICK COUPLER	9	02	02	02	02	02
48	0501051040	HOSE ASSY		01	01	01	01	01
48A	0501080361	3/8" X 157" TR-TM HOSE		02	02	02	02	02
49	0501047895	25 ROD STOP		03	03	03	03	03
50	0501047886	35 ROD STOP		01	01	01	01	01
51	0501047888	45 ROD STOP		01	01	01	01	01



Item	Code	Description	See page	QT
01	0501060188	DRAWBAR ASSY		01
02	0521061775	TRACTOR HITCH		01
03	0501010060	1" X 6-1/2" BOLT		01
04	0503011438	SPRING WASHER		01
05	0501010059	1.5/8 NUT		01
06	0501010241	UPPER /LOWER PLATE		02
07	0503011198	C3/4" X 6" SCREW		03
08	0503011442	3/4" SPRING WASHER		03
09	0503010014	3/4" HEX NUT		03
10	0501010191	1" X 6" BOLT		01
11	0503011438	SPRING WASHER		01
12	0501010059	1.5/8 NUT		01
13	0501068993	0.9" X 5.5" COUPLING SHAFT		01
14	0503010571	1/4" X 1.1/2 COTTERPIN		01

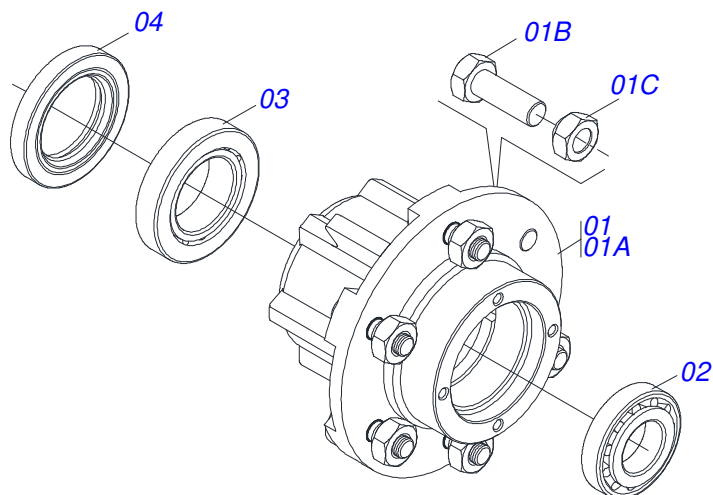


Item	Code	Description	See page	QT
01	0501051142	CARRYING WHEEL HUB	5	01
02	0501016545	FLAT WASHER		01
03	0503030009	1" CASTLE NUT		01
04	0503010018	5/32 X 1-1/2 COTTERPIN		01
05	0502020591	PROTECCION COVER		01
06	0503010358	5/16" X 5/8" BOLT		04
07	0503011444	SPRING WASHER		04
08	0503010002	1800 GREASE FITTING		01
09	0501069088	RIGHT CARRYING-WHEELS SUPPORT		01

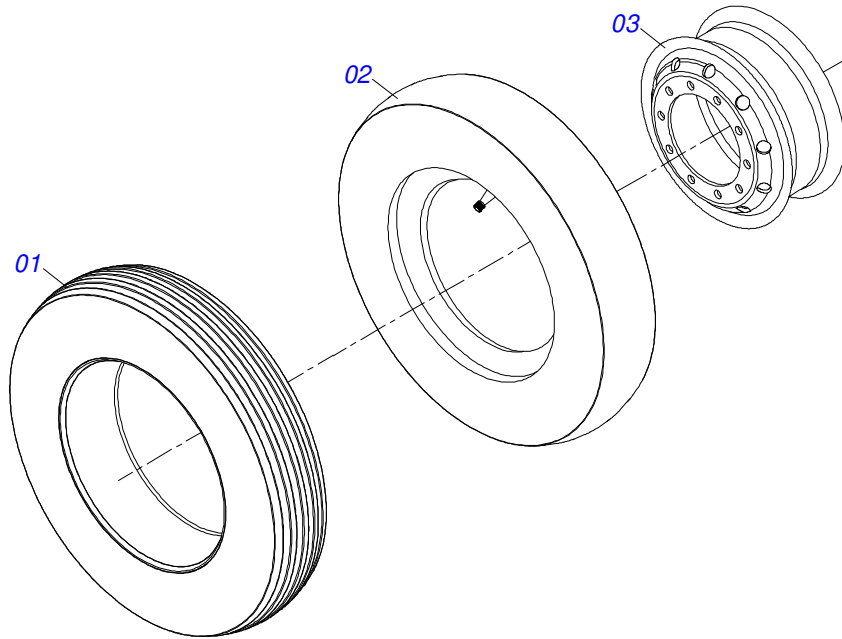


Item	Code	Description	See page	QT
01	0501051142	CARRYING WHEEL HUB	5	01
02	0501016545	FLAT WASHER		01
03	0503030009	1" CASTLE NUT		01
04	0503010018	5/32 X 1-1/2 COTTERPIN		01
05	0502020591	PROTECCION COVER		01
06	0503010358	5/16" X 5/8" BOLT		04
07	0503011444	SPRING WASHER		04
08	0503010002	1800 GREASE FITTING		01
09	0501069089	LEFT CARRYING-WHEELS SUPPORT		01

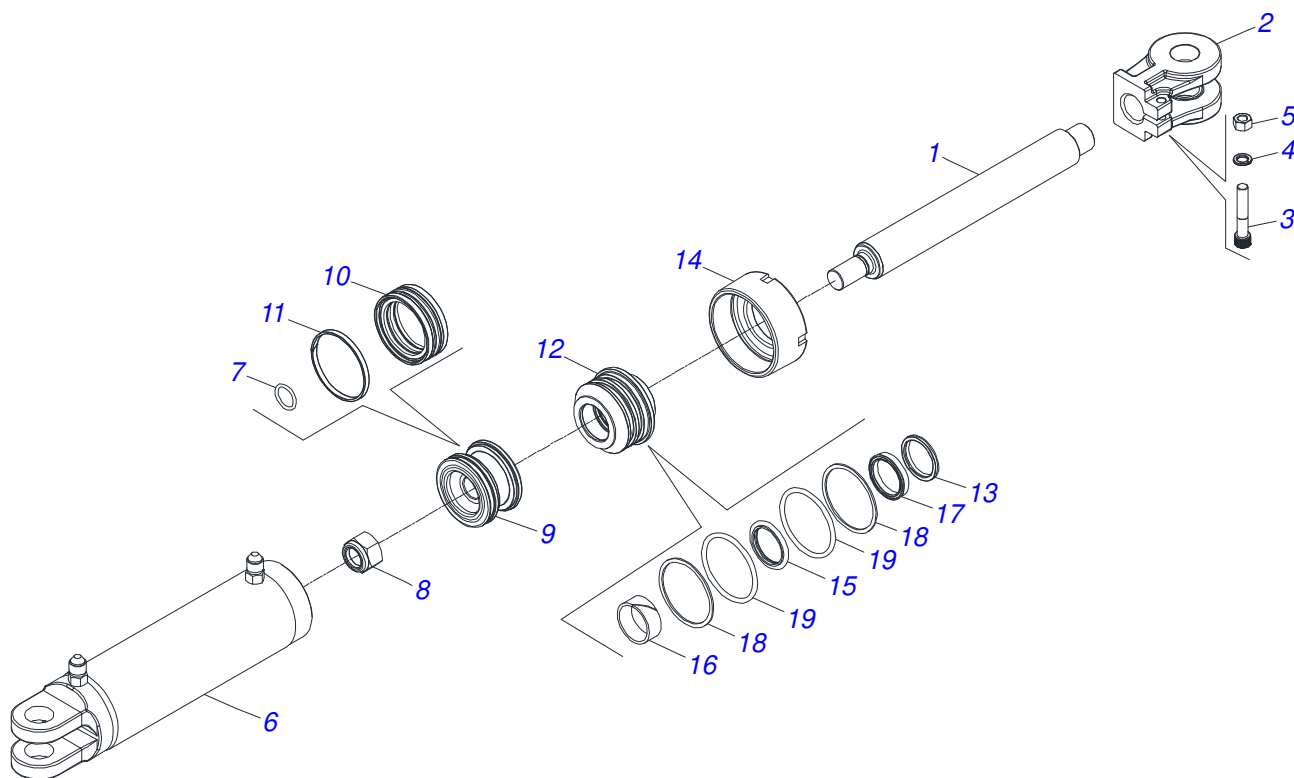




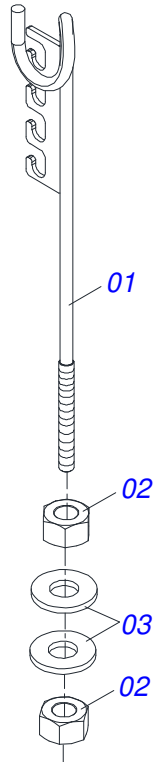
Item	Code	Description	See page	QT
01	0501110728	WHEEL HUB		01
01A	0502011121	CARRYING WHEEL HUB		01
01B	0501010127	9/16" X 1-7/8" LUG BOLT		06
01C	0503010035	9/16" CONIC NUT		06
02	0503010037	30207 ROLLER BEARING		01
03	0503010006	32210 ROLLER BEARING		01
04	0503012928	SEAL		01



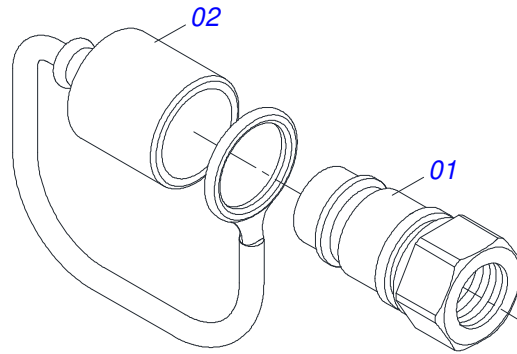
Item	Code	Description	See page	QT
01	0503010065	CANVAS TIRE		01
02	0503010068	6.00 X 16 INNER TIRE		01
03	0503010894	0.2"X0.6"X4.6"X6F0.6"X6" WHEEL		01



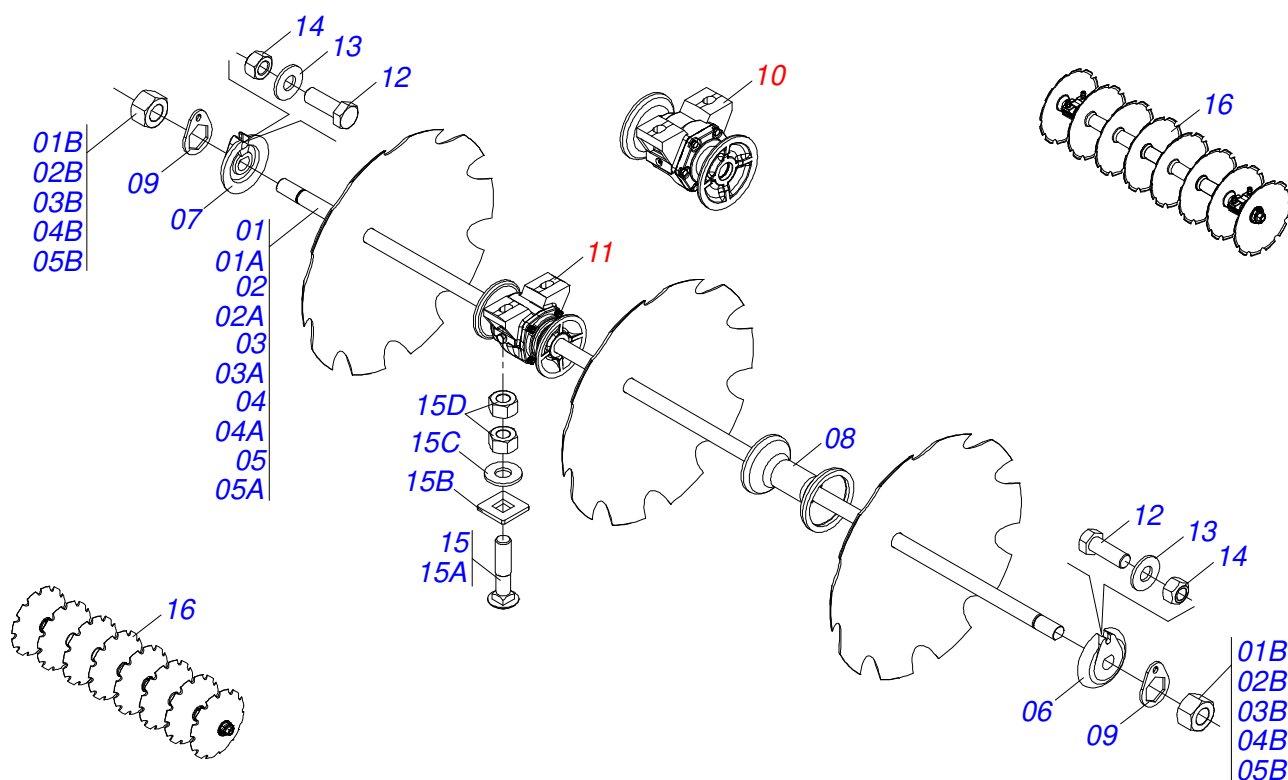
Item	Code	Description	See page	QT
01	0521010421	HYDRAULIC CYLINDER TURNBUCKLE		01
02	0502040747	32.54 CLEVIS CLAMP		01
03	0503011094	3/8" X 2" BOLT		01
04	0503010025	3/8 SPRING WASHER		01
05	0503010026	3/8" NUT		01
06	0511063257	3,4" X 12,3" CYLINDER CASE		01
07	0503010042	2-214 N 3006-9B O'RING		01
08	0503010063	1" SELF-ALIGNING NUT		01
09	0571019710	1.7" X 3.4" PISTON		01
10	0503017935	RING		01
11	0503018144	RING		01
12	0571019711	RING SUPPORT		01
13	0503010761	D-1750 SCRAPER RING		01
14	0571019709	DETACHABLE COVER		01
15	0503017936	RING		01
16	0503017938	RING GUIDE		01
17	0503017937	GASKET		01
18	0503017940	8-337 BACK-UP RING		02
19	0503017939	2-337 N 3006-9B O' RING		02



Item	Code	Description	See page	QT
01	0511067334	HOSE SUPPORT		01
02	0503010014	3/4" HEX NUT		02
03	0501010322	FLAT WASHER		02



Item	Code	Description	See page	QT
01	0503011627	MALE QUICK COUPLER AGR 1/2 NPT		01
02	0503011882	MALE QUICK COUPLER CAP		01

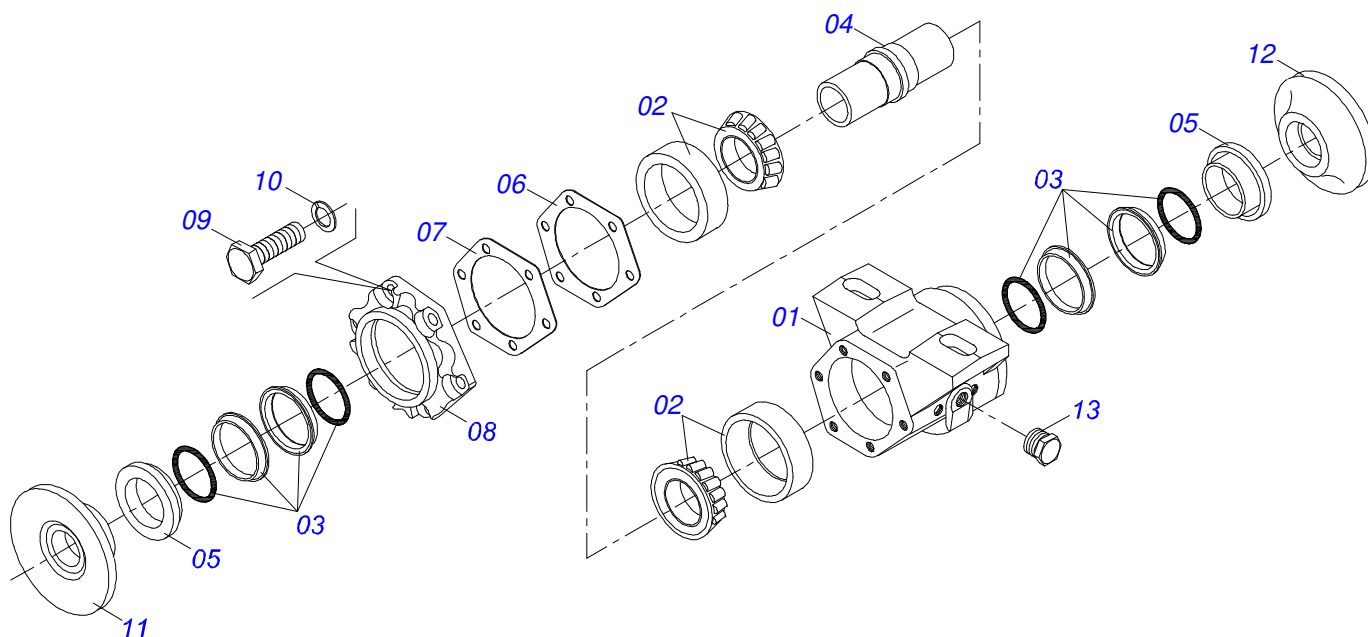


Item	Code	Description	See page	12	14	16	18	20
01	0501046856	1-5/8" X 59" AXLE WITH NUTS 2-3/4"		02	00	00	00	00
01A	0501019012	1-5/8" X 59" AXLE		02	00	00	00	00
01B	0502040640	1.5/8" 2.3/4" NUT		04	00	00	00	00
02	0501046859	1-5/8" X 70" AXLE WITH NUTS 2-3/4"		00	02	00	00	00
02A	0501015631	1-5/8" X 70" AXLE		00	02	00	00	00
02B	0502040640	1.5/8" 2.3/4" NUT		00	04	00	00	00
03	0501046861	1-5/8" X 80" AXLE WITH NUTS 2-3/4"		00	00	02	00	00
03A	0501019015	1-5/8 X 80" AXLE		00	00	02	00	00
03B	0502040640	1.5/8" 2.3/4" NUT		00	00	04	00	00
04	0501046811	1-5/8" X 38"- AXLE WITH NUTS 2-3/4"		00	00	00	02	00
04A	0501019013	1-5/8" X 38" AXLE		00	00	00	02	00
04B	0502040640	1.5/8" 2.3/4" NUT		00	00	00	04	00
05	0501046854	1-5/8" X 48" AXLE WITH NUTS 2-3/4"		00	00	00	02	04
05A	0501019016	1-5/8 X 48" AXLE		00	00	00	02	04
05B	0502040640	1.5/8" 2.3/4" NUT		00	00	00	04	08
06	0502011047	1-5/8" INNER AXLE WASHER		02	02	02	04	04
07	0502011048	1-5/8" EXTERNAL AXLE WASHER		02	02	02	04	04
08	0502010703	10.35" 1-5/8" SPACER		06	08	08	06	08
09	0511014339	1-5/8" 2.8" NUT LOCK		04	04	04	08	08
10	0501046916	262 X 1-5/8" GRESABLE BRG ASSY,FG		04	04	06	08	08
11	0501046925	262 X 1-5/8" OIL BATH BRG ASSY,FG	11	04	02	06	08	08
12	0503011267	5/8 UNC X 1.1/2 C S G.5 ZN BOLT		04	04	04	08	08
13	0501012140	FLAT WASHER		04	04	04	08	08
14	0503012412	5/8" UNC SELF LOCKING NUT		04	04	04	08	08
15	0511040034	3/4" X 3-1/4" BOLT ASSY		08	08	12	16	16
15A	0501017303	3/4" X 3-1/4" BOLT		08	08	12	16	16
15B	0501010949	3/4" SQUARE WASHER		08	08	12	16	16
15C	0501010322	FLAT WASHER		08	08	12	16	16
15D	0503010014	3/4" HEX NUT		16	16	24	32	32
16	0602037004	28" X 0.2" NOTCHED DISC BLADE		12	14	16	18	20
16.	0602037006	DR28X7,5 C102AF04FR1.11/16 10R TATU		12	14	16	18	20



**GAIM 12/14/16/18/20D WITH PA**  
**12/14/16/18/20D - DISC GANG SECTION**

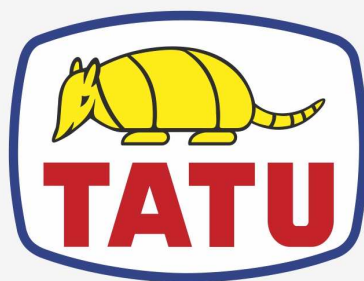
Item	Code	Description	See page	12	14	16	18	20
16..	0602033005	26" X 0.2" NOTCHED DISC BLADE		12	14	16	18	20
16...	0602033002	DR26X4,75 C90AF04FR1.11/16 10R TATU		12	14	16	18	20



Item	Code	Description	See page	QT
01	0502020481	HOUSING DM		01
02	0503010005	32212 ROLLER BEARING		02
03	0503030027	DUO-CONE SEAL		02
04	0502010900	BEARING AXLE		01
05	0502010735	SEAL RETAINER		02
06	0503030030	5.6" X 4.4" X 0.01" GASKET		02
07	0503030685	5.5" X 4.4" X 0.003" GASKET		02
08	0502020161	WEAR PLATE BEARING		01
09	0503010237	3/8" X 1" BOLT		06
10	0503011443	3/8" SPRING WASHER		06
11	0502040239	OUTER FLANGE		01
12	0502040240	INNER FLANGE		01
13	0503010856	OIL PLUG		01







**MARCHESAN**

**Technical Publications | Elaboration and Revision**

ALESSANDRA PATRICIA KAWAHARA CARRILI

[www.marchesan.com.br](http://www.marchesan.com.br)

