

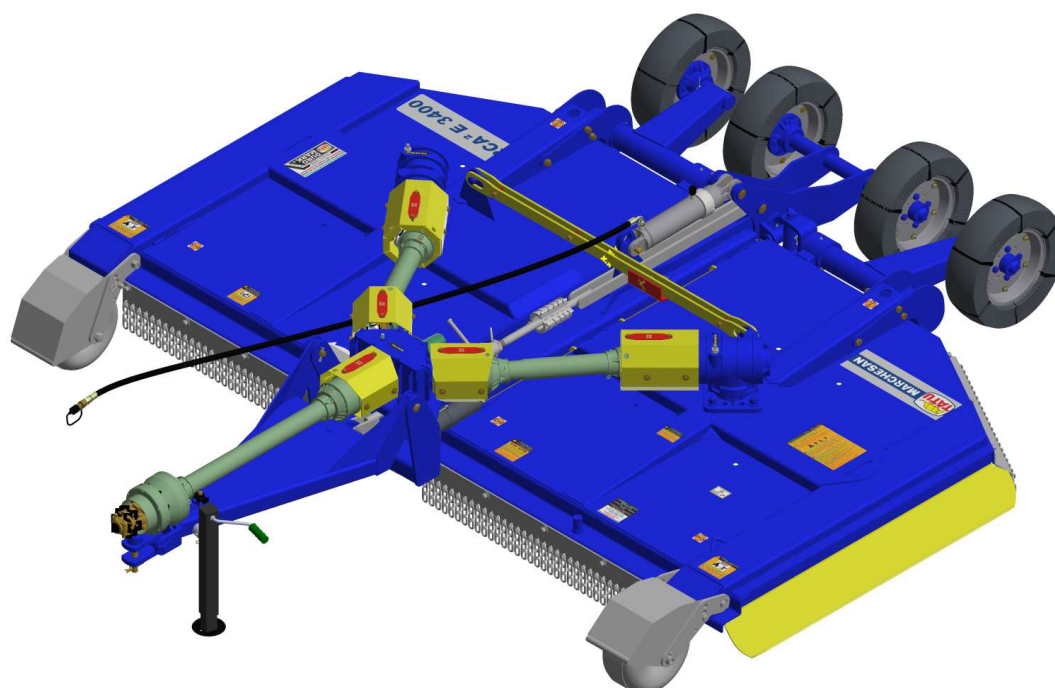
## ROTARY CUTTERS

**Code:**

0501092262

**Product:**

RCA2E 3400



**Series:**

S-0516

**Revision:**

00

**Date Revision:**

JUNHO/2018



# PRODUCTS

Code	Description
0104120077	RCA2/E 3400 C/PROT CORR S-0516

## ATTENTION: IMPORTANT

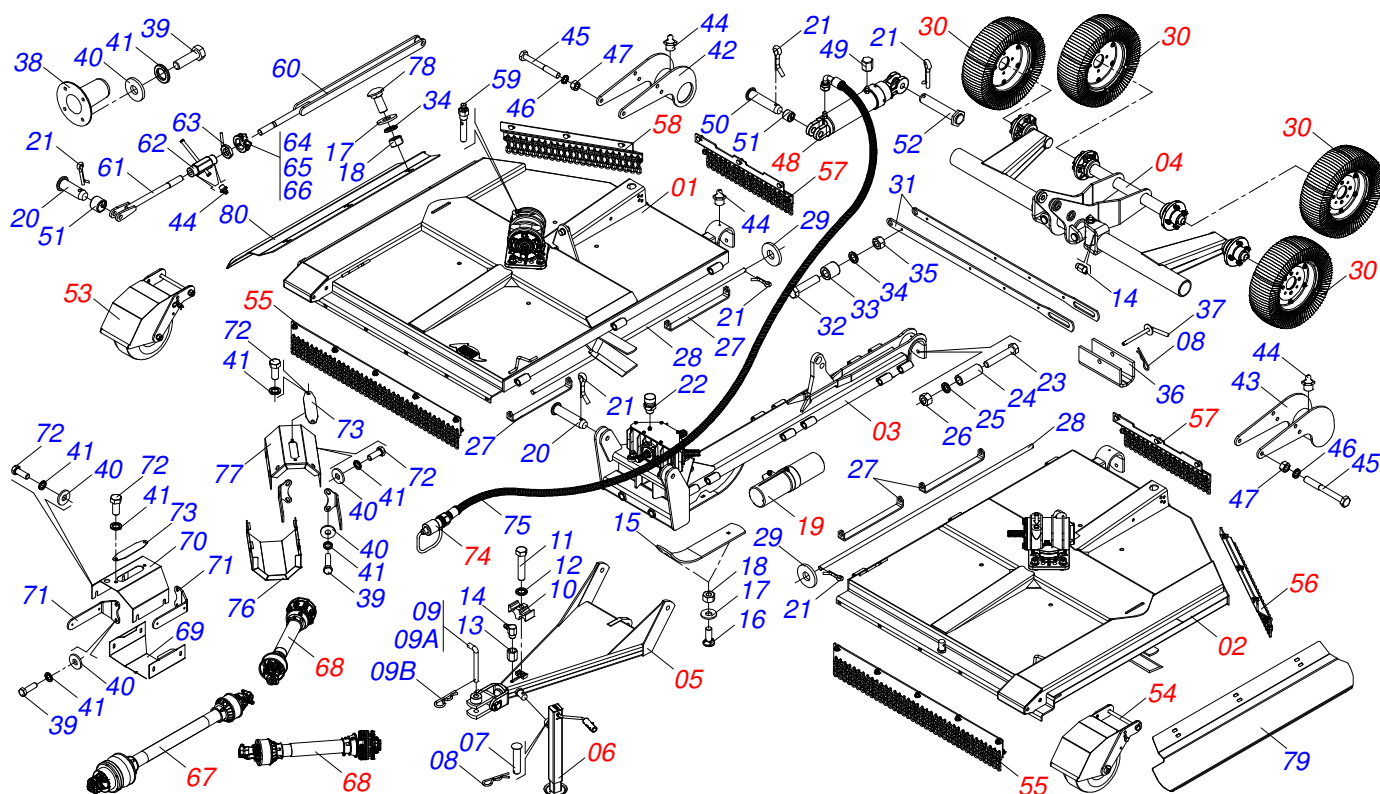
Marchesan S.A. reserves the right to improve and / or modify the technical features of its products, without obligation to do the same with those products already sold and without prior knowledge of the dealer or the consumer.



**MARCHESAN**

# INDEX

0521047256	FRAME ASSY	.....	1
0521050935	RIGHT SIDE FRAME WITH MULTIPLIER	.....	2
0501056339	SUPPORT WITH RIGHT CUTTER	.....	3
0511042525	LEFT MULTIPLICATOR	.....	4
0521050936	LEFT SIDE FRAME WITH MULTIPLIER	.....	5
0501056340	SUPPORT WITH LEFT CUTTER	.....	6
0511042527	RIGHT MULTIPLIER	.....	7
0501053414	CENTRAL CHASSIS	.....	8
0501044074	TRIPLE DISTRIBUTOR	.....	9
0521050125	HUB AND SPINDLE ASSY	.....	10
0501053419	HUB CENTER WHELLS SUPPORT	.....	11
0501053420	HUB SIDE WHELLS SUPPORT	.....	12
0501053417	DRAWBAR ASSY	.....	13
0503062157	HEADER JACK	.....	14
0521051869	ASSY MANUAL DOOR	.....	15
0501043559	SEGMENTED WHEEL 525	.....	16
0511058441	HYDRAULIC CYLINDER 44,45 X 85,70 X 540 X 179	.....	17
0511044473	FRONT WHEEL RIGHT WITH ASSY PROTECTION	.....	18
0511048551	RIGHT FRONT WHEEL WITH FULL PROTECTION	.....	19
0511059892	FRONT CURRENT PROTECTION (1340)	.....	20
0511059894	PROTECTION CHAIN REAR LEFT	.....	21
0511059893	CURRENT PROTECTION (700)	.....	22
0511059895	RIGHT REAR CURRENT PROTECTION (806)	.....	23
0501049129	DRIVE SHAFT	.....	24
0511040198	DRIVE SHAFT	.....	25
0501053834	MALE QUICK COUPLER WITH GAP - 1/2 NPT	.....	26

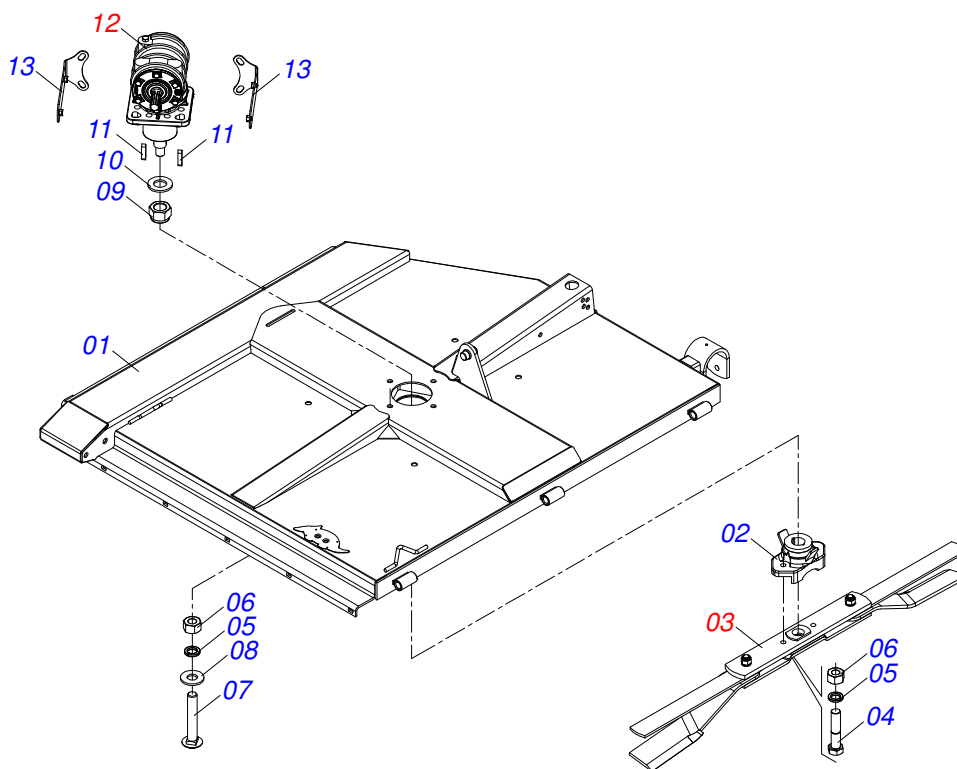


Item	Code	Description	See page	QT
01	0521050935	RIGHT SIDE FRAME WITH MULTIPLIER	2	01
02	0521050936	LEFT SIDE FRAME WITH MULTIPLIER	5	01
03	0501053414	CENTRAL CHASSIS	8	01
04	0521050125	HUB AND SPINDLE ASSY	10	01
05	0501053417	DRAWBAR ASSY	13	01
06	0503062157	HEADER JACK	14	01
07	0521010549	COUPLING SHAFT		01
08	0503030168	HAIR PIN		02
09	0501040343	DRAWBOLT ASSY		01
09A	0521010453	AXI SHAFT		01
09B	0503031035	HAIR PIN		01
10	0502012702	BODY SUPPORT CLAMP		01
11	0503012555	SCREW 7/16 UNC X 2 CS RT G.7 ZN		01
12	0503010180	7/16" SPRING WASHER		01
13	0531013919	GREASE FITTING FIXER		01
14	0503010004	1890 GREASE FITTING		05
15	0521013465	SKID GUIDE		01
16	0503012956	1/2" X 1-1/2" BOLT		02
17	0511017302	FLAT WASHER		14
18	0503012682	1/2" BSW NUT		14
19	0521051869	ASSY MANUAL DOOR	15	01
20	0521010572	0.9" X 2.9" COUPLING SHAFT		03
21	0503010571	1/4" X 1.1/2 COTTERPIN		10
22	0503010325	VCA-118 VALVE		01
23	0503011198	C3/4" X 6" SCREW		03
24	0511017147	0.8" X 1.2" X 4.1" BUSHING		03
25	0503010023	3/4" SPRING WASHER		03
26	0503010014	3/4" NUT		03
27	0521067639	FRAME PROTECTION		04
28	0531012224	FRAME UNION AXLE		02
29	0501011445	FLAT WASHER		04

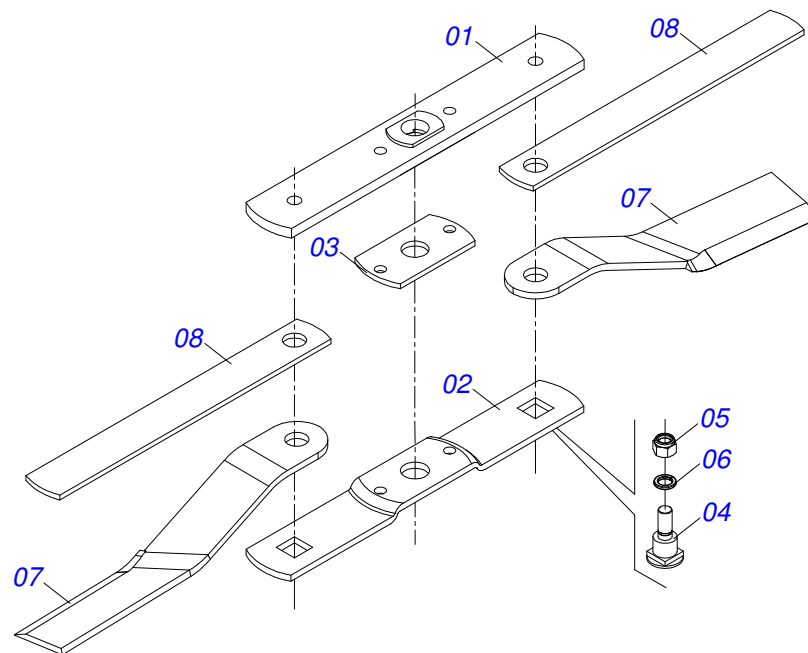


RCA2E 3400  
FRAME ASSY

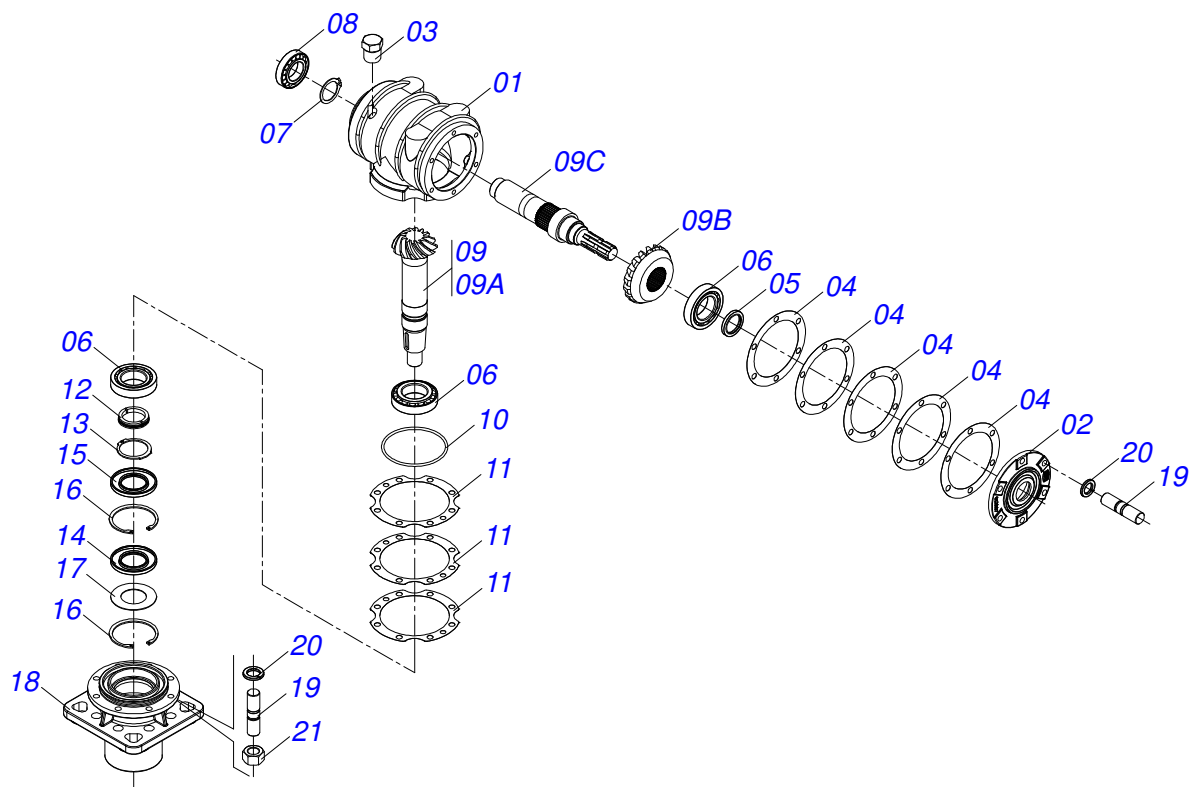
Item	Code	Description	See page	QT
30	0501043559	SEGMENTED WHEEL 525	16	04
31	0531012226	STABILIZER BAR		02
32	0503010905	1/2" X 2-1/4" BOLT		03
33	0521010456	13,2 X 25 X 25 SLEEVE		03
34	0503010019	1/2" SPRING WASHER		15
35	0503010060	1/2" NUT		03
36	0521014258	LOCK BOLT		01
37	0501068994	0.3" X 3.1" LOCK PIN		01
38	0503034005	COVER PROTECTION FOR SHAFT		01
39	0503010751	C3/8" X 1.1/4" HEX BOLT G.5		16
40	0501010984	FLAT WASHER		36
41	0503010025	3/8" SPRING WASHER		46
42	0511060360	WHEELS RIGHT FIXER		01
43	0511060361	WHEELS LEFT FIXER		01
44	0503010002	1800 GREASE FITTING		07
45	0503010795	5/8" X 7" BOLT		06
46	0503010027	5/8" SPRING WASHER		06
47	0503010013	5/8" NUT		06
48	0511058441	HYDRAULIC CYLINDER 44,45 X 85,70 X 540 X 179	17	01
49	0511017628	BREATHING HOLE OF THE CYLINDER HIDR		01
50	0521010575	C0.9" X 3.3" COUPLING SHAFT		01
51	0511019921	1.3" X 0.1" X 1" SLEEVE		02
52	0521068284	LOCK SHAFT 25 X 140 (31,75 X 450 )		02
53	0511044473	FRONT WHEEL RIGHT WITH ASSY PROTECTION	18	01
54	0511048551	RIGHT FRONT WHEEL WITH FULL PROTECTION	19	01
55	0511059892	FRONT CURRENT PROTECTION (1340)	20	02
56	0511059894	PROTECTION CHAIN REAR LEFT	21	01
57	0511059893	CURRENT PROTECTION (700)	22	02
58	0511059895	RIGHT REAR CURRENT PROTECTION (806)	23	01
59	0501110186	OIL SMALLER LEVEL INDICATOR		02
60	0511062795	LARGER STABILIZER		01
61	0511062794	SMALLER STABILIZER		01
62	0521064756	ADJUSTING NUT		01
63	0501064974	LOCKNUT WITH HANDLER		01
64	0501047895	ROD STOP		03
65	0501047887	ROD STOP		01
66	0501047885	ROD STOP		01
67	0501049129	DRIVE SHAFT	24	01
68	0511040198	DRIVE SHAFT	25	02
69	0581014012	LOWER BODY PROTECTION		03
70	0521067677	TOP COVER PROTECTION		03
71	0521067618	SUPPORT COVER PROTECTION		06
72	0503010256	3/8" X 3/4" BOLT		30
73	0581012546	LUBRICATION AXIS TRANSMISSION		05
74	0501053834	MALE QUICK COUPLER WITH CAP - 1/2 NPT	26	01
75	0501080422	HOSE 3/8 X 4000 TC-TM		01
76	0581011777	BODY LOWER PROTECTION COAT		02
77	0521067419	CARDAN SUPERIOR PROTECTION COVER		02
78	0501011600	1/2" X 1-1/4" BOLT		12
79	0521067902	LEFT SIDE LOCK		01
80	0521067901	RIGHT SIDE CLOSURE		01
81	0503034247	ADHESIVE LABEL POINT LUBRICATION		05
82	0503031127	ADHESIVE LABEL		01
83	0503031087	ADHESIVE LABEL		01



Item	Code	Description	See page	QT
01	0521067343	RIGHT SIDE FRAME		01
02	0502012453	SUPPORT FLANGE		01
03	0501056339	SUPPORT WITH RIGHT CUTTER	3	01
04	0501010195	3/4" X 3-1/2" BOLT		02
05	0503011442	3/4" SPRING WASHER		06
06	0503010014	3/4" NUT		06
07	0503017867	SCREW 3/4 UNC X 4.1/2 CAPQ G.7 ZN		04
08	0501010322	FLAT WASHER		04
09	0503010817	1.1/4" SELF LOCKING NUT		01
10	0501017779	32 X 60 X 4.75 FLAT WASHER		01
11	0501010536	KEYWAY SQUARE		02
12	0511042525	LEFT MULTIPLICATOR	4	01
13	0521066967	FIXER COVER PROTECTION CARDAN		02
14	0503034510	ADHESIVE LABEL		01
15	0503031127	ADHESIVE LABEL		01
16	0503031427	ADHESIVE LABEL		01
17	0503031428	READ MANUAL DECAL		01
18	0503031929	ADHESIVE LABEL		01
19	0503032060	ADHESIVE LABEL		01
20	0503034078	LIFTING POINTS DECAL		03
21	0503034003	SERIAL NUMBER TAG 61 X 118		01
22	0503010001	3.2 X 5.5 RIVET		04

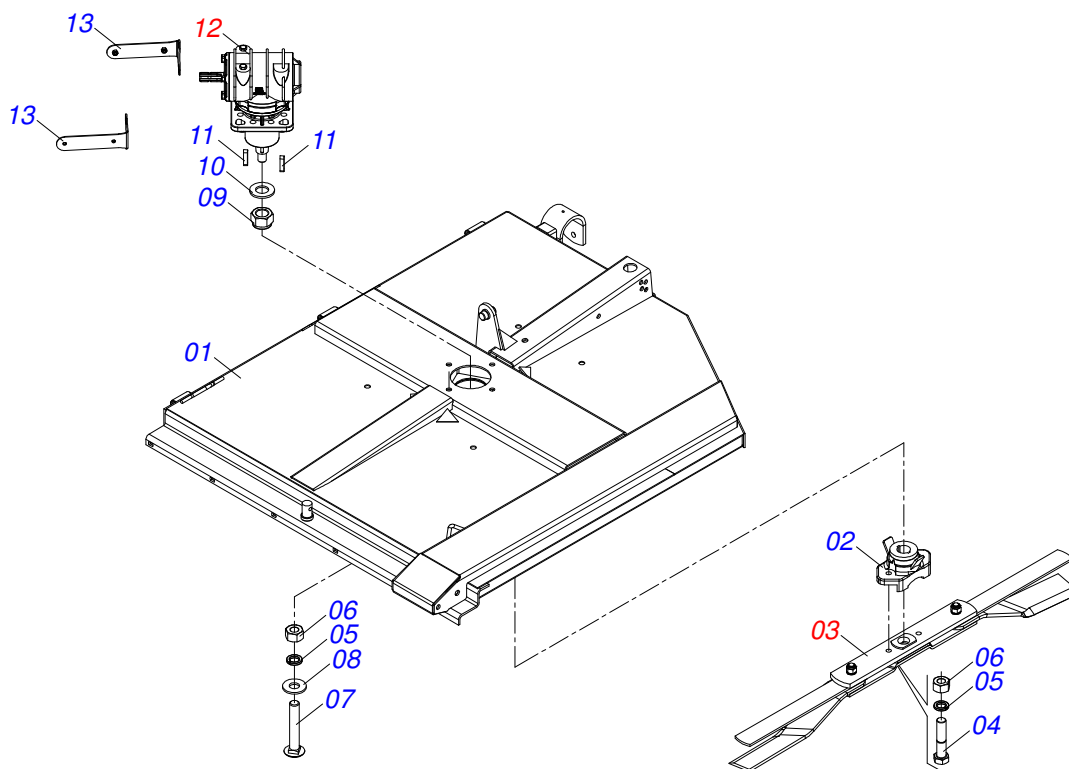


Item	Code	Description	See page	QT
001	0561017307	SUPPORT UPPER BASE		01
002	0561017369	ROTARY LOWER SUPPORT LOWER		01
003	0561017309	ROCADORES SUPPORT CHOCK		01
004	0531014512	FASTERNER ROCADORES		02
005	0503010812	7/8" UNF SELF LOCKING NUT		02
006	0503011447	SPRING WASHER		02
007	0622400055	RH 24"X4"X0,5" ROTARY CUTTER BLADES		02
008	0531015055	620 FOLLOWER		02

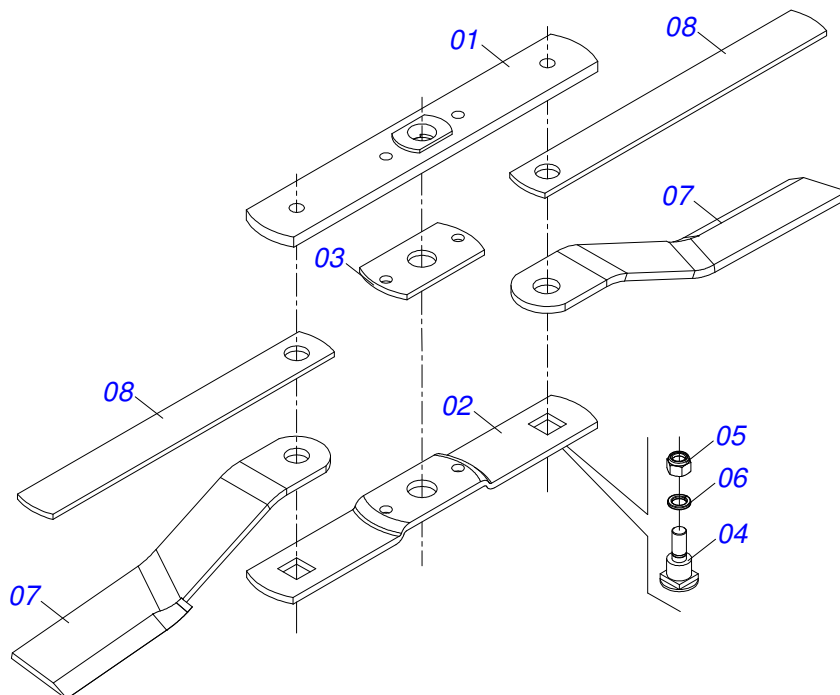


Item	Code	Description	See page	QT
01	0502012205	BOX MULTIPLIER		01
02	0502012207	COVER MULTIPLIER		01
03	0503031604	1/2" BSP PLUG		01
04	0503030783	7.1" X 5.3" X 0.008" JOINT		05
05	0503012103	5301 -BSEAL		01
06	0503012418	32211 ROLLER BEARING		03
07	0503014772	501056 CLAMPING RING (FOR AXLE)		01
08	0503010750	30209 BALL BEARING		01
09	0503061698	CROWN PINION SET 12Z 12Z AXLE LEFT		01
09A	0503031917	12Z LOWER CONICAL GEAR		01
09B	0503031918	18Z CONICAL GEAR		01
09C	0503032043	UPPER AXLE		01
10	0503010286	2-355 N 3006-9B O'RING		01
11	0503030785	7.9" X 5.9" X 0.008" JOINT		03
12	0531019302	LOCK RING		01
13	0503012311	501065 RENO RING		01
14	0503013201	ARCA 6016 BRG SEAL		01
15	0503013211	6016 BRG SEAL		01
16	0503011420	502100 CLAMPING RING (FOR AXLE)		02
17	0531018823	FLAT WASHER		01
18	0502012206	LOWER HUB		01
19	0503030084	1/2" X 1/2" X 2.0" STUD		14
20	0503011440	SPRING WASHER		14
21	0503010028	1/2" NUT		14
22	3402301247	MINERAL OIL GREASE		03

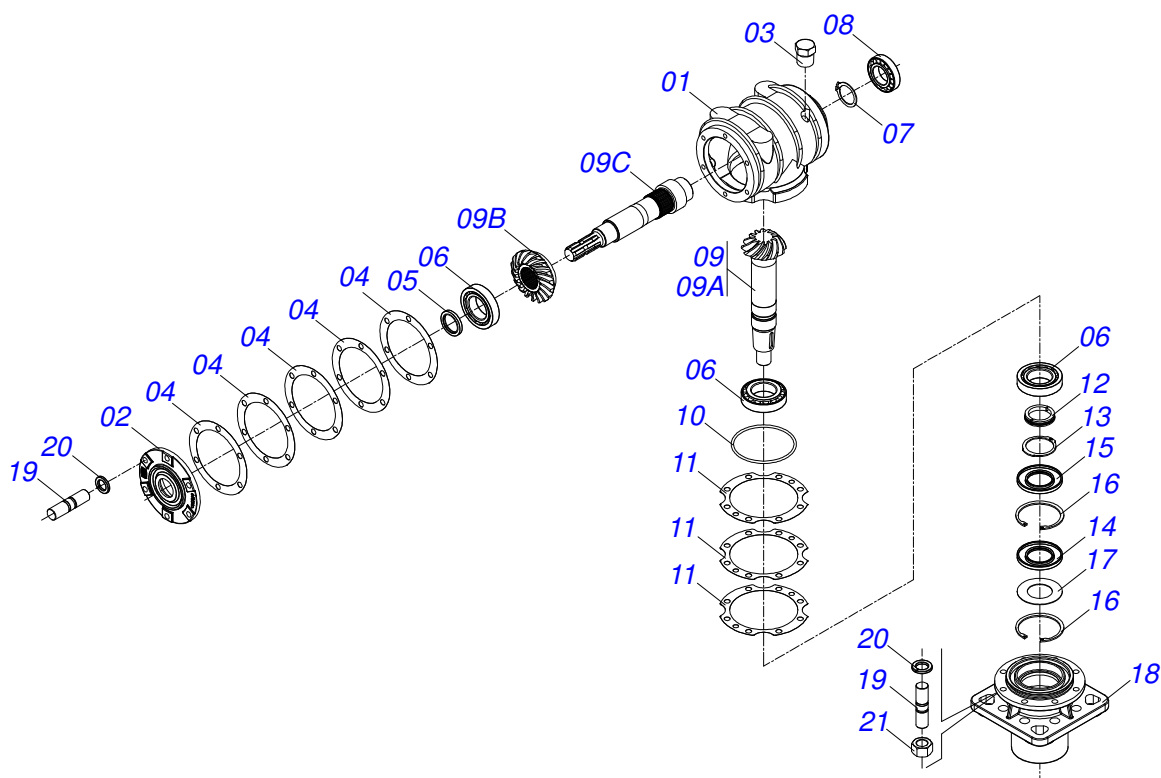




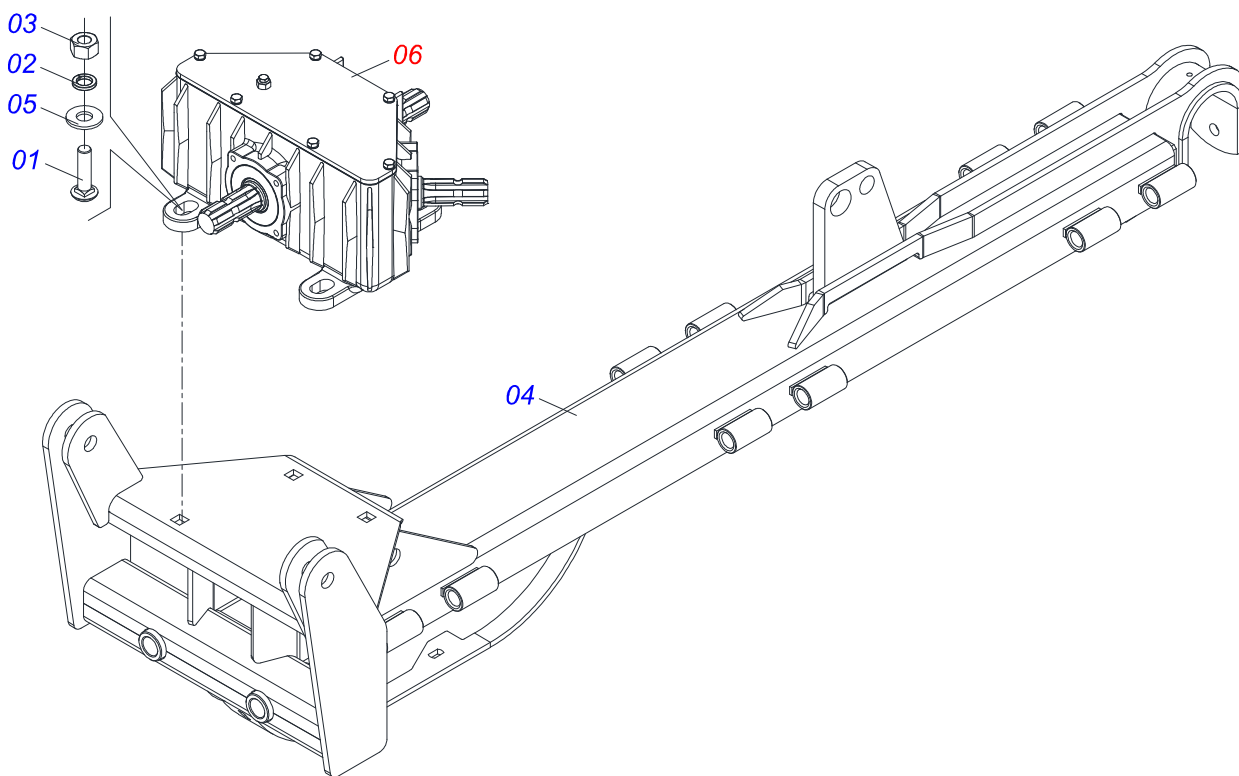
Item	Code	Description	See page	QT
01	0521067345	LEFT SIDE FRAME		01
02	0502012453	SUPPORT FLANGE		01
03	0501056340	SUPPORT WITH LEFT CUTTER	6	01
04	0501010195	3/4" X 3-1/2" BOLT		02
05	0503011442	3/4" SPRING WASHER		06
06	0503010014	3/4" NUT		06
07	0503017867	SCREW 3/4 UNC X 4.1/2 CAPQ G.7 ZN		04
08	0501010322	FLAT WASHER		04
09	0503010817	1.1/4" SELF LOCKING NUT		01
10	0501017779	32 X 60 X 4.75 FLAT WASHER		01
11	0501010536	KEYWAY SQUARE		02
12	0511042527	RIGHT MULTIPLIER	7	01
13	0521066967	FIXER COVER PROTECTION CARDAN		02
14	0503031127	ADHESIVE LABEL		01
15	0503031930	ADHESIVE LABEL		01
16	0503031932	ADHESIVE LABEL		01
17	0503032060	ADHESIVE LABEL		01
18	0503032534	ADHESIVE LABEL		01
19	0503032949	ADHESIVE LABEL		01
20	0503034078	LIFTING POINTS DECAL		03
21	0503034333	ADHESIVE LABEL		01



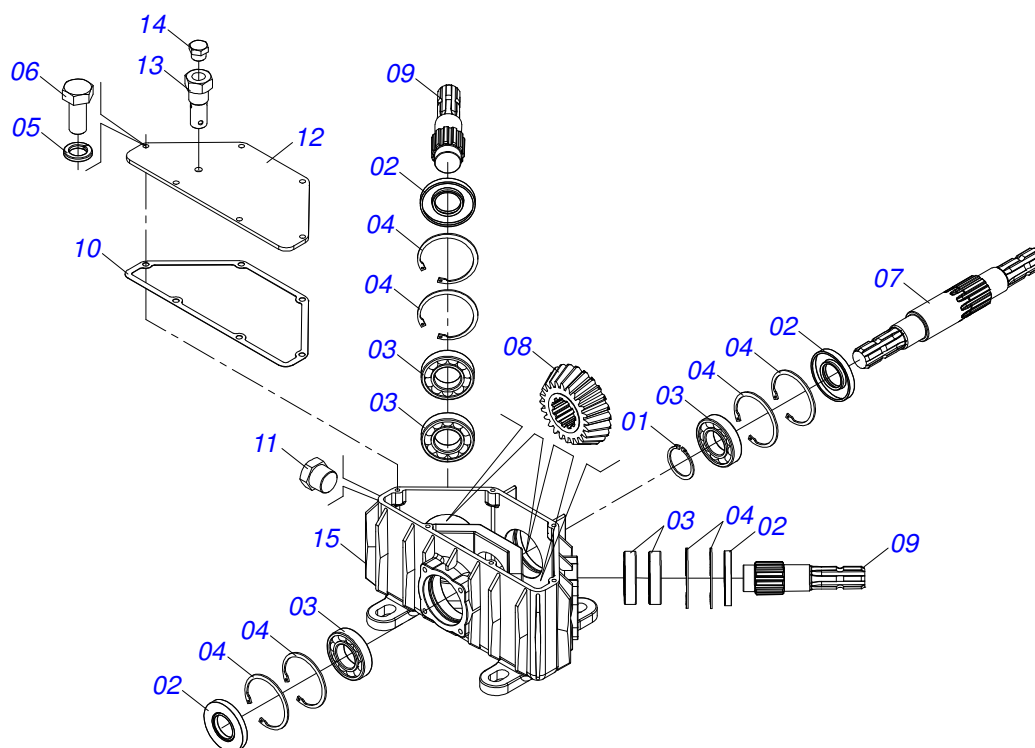
Item	Code	Description	See page	QT
001	0561017307	SUPPORT UPPER BASE		01
002	0561017369	ROTARY LOWER SUPPORT LOWER		01
003	0561017309	ROCADORES SUPPORT CHOCK		01
004	0531014512	FASTERNER ROCADORES		02
005	0503010812	7/8" UNF SELF LOCKING NUT		02
006	0503011447	SPRING WASHER		02
007	0622400056	24"X4"X0,5" LEFT ROTARY CUT BLADES		02
008	0531015055	620 FOLLOWER		02



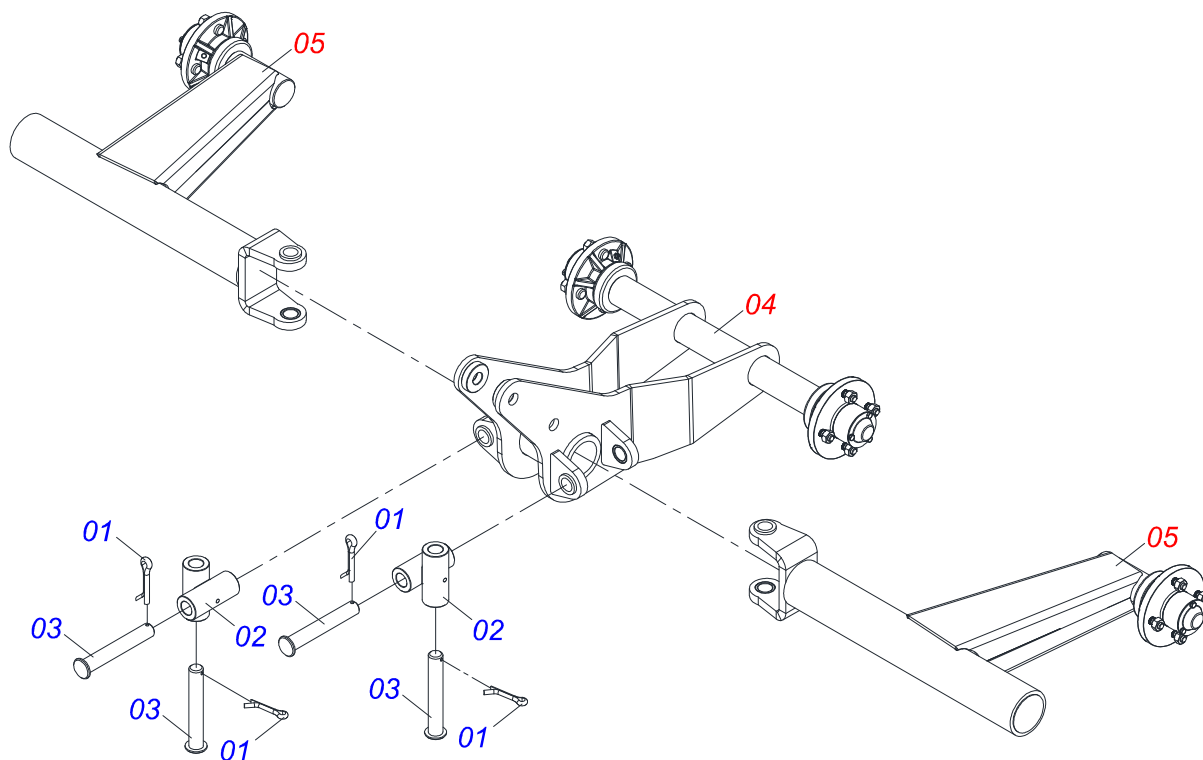
Item	Code	Description	See page	QT
01	0502012204	SPEED MULTIPLIER BOX	01	01
02	0502012203	RH COVER MULTIPLIER	01	01
03	0503031604	1/2" BSP PLUG	02	02
04	0503030783	7.1" X 5.3" X 0.008" JOINT	05	05
05	0503012103	5301 -BSEAL	01	01
06	0503012418	32211 ROLLER BEARING	03	03
07	0503014772	501056 CLAMPING RING (FOR AXLE)	01	01
08	0503010750	30209 BALL BEARING	01	01
09	0503061699	CHAIN ASSY	01	01
09A	0503031917	12Z LOWER CONICAL GEAR	01	01
09B	0503031918	18Z CONICAL GEAR	01	01
09C	0503032058	UPPER AXLE	01	01
10	0503010286	2-355 N 3006-9B O'RING	01	01
11	0503030785	7.9" X 5.9" X 0.008" JOINT	03	03
12	0531019302	LOCK RING	01	01
13	0503012311	501065 RENO RING	01	01
14	0503013201	ARCA 6016 BRG SEAL	01	01
15	0503013211	6016 BRG SEAL	01	01
16	0503011420	502100 CLAMPING RING (FOR AXLE)	02	02
17	0531018823	FLAT WASHER	01	01
18	0502012206	LOWER HUB	01	01
19	0503030084	1/2" X 1/2" X 2.0" STUD	14	14
20	0503011440	SPRING WASHER	14	14
21	0503010028	1/2" NUT	14	14
22	3402301247	MINERAL OIL GREASE	03	03



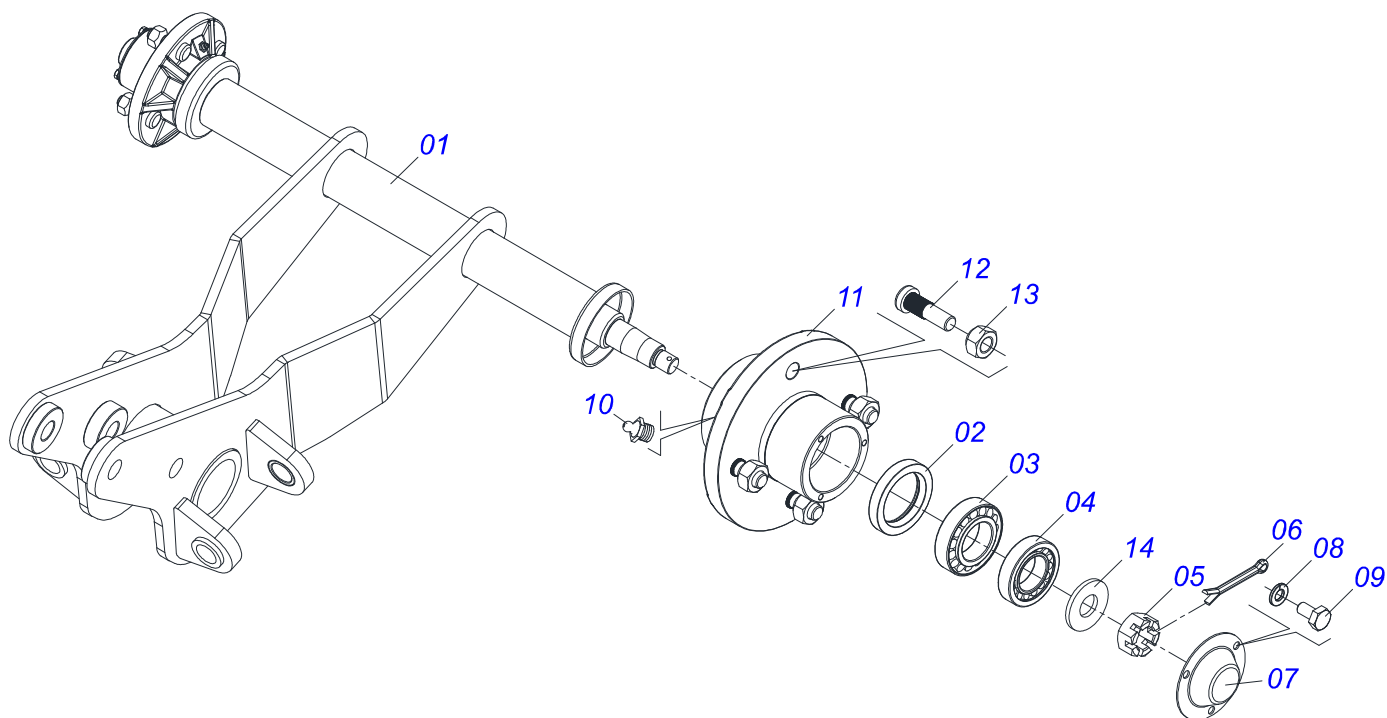
Item	Code	Description	See page	QT
001	0501817305	SCREW 3/4 UNC X 2.1/4 CAPQ G.5 SA		04
002	0503011442	3/4" SPRING WASHER		04
003	0503010014	3/4" NUT		04
004	0521065964	CENTRAL FRAME		01
005	0501010322	FLAT WASHER		04
006	0501044074	TRIPE DISTRIBUTOR	9	01



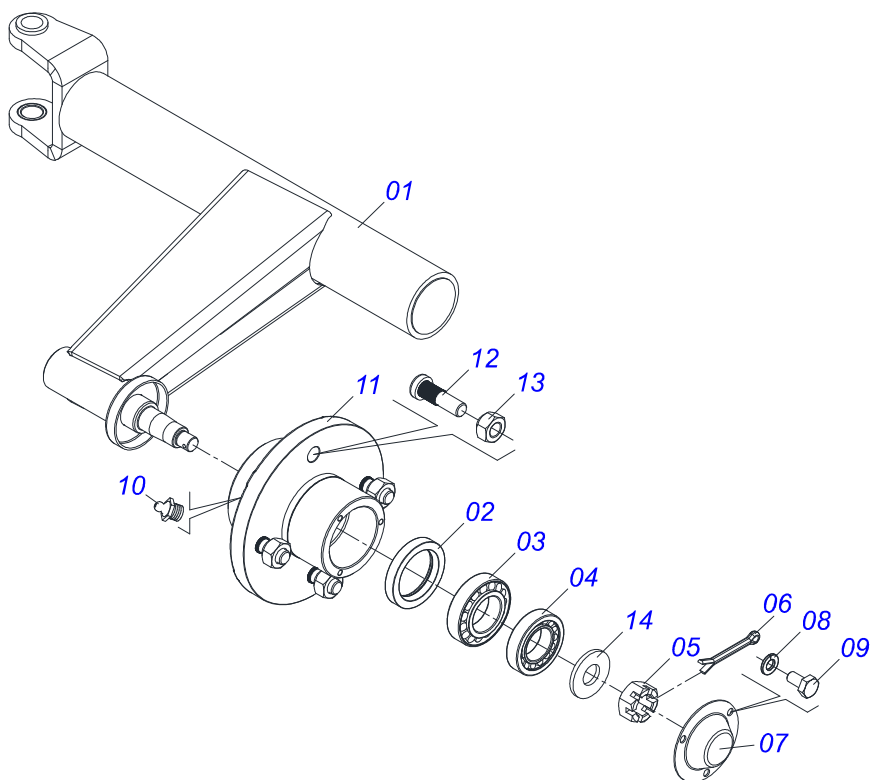
Item	Code	Description	See page	QT
01	0503010372	501050 CLAMPING RING (FOR AXLE)		01
02	0503010818	02675-BRG SEAL		04
03	0503011095	6208 BALL BEARING		06
04	0503011100	502080 CLAMPING RING (FOR AXLE)		08
05	0503011444	SPRING WASHER		06
06	0503010240	5/16" X 3/4" BOLT		06
07	0503030631	CENTRAL AXLE		01
08	0503030632	24Z CONICAL GEAR		03
09	0503030633	SIDE AXLE		02
10	0503030656	13.9" X 6.1" X 0.03" JOINT		01
11	0503010856	OIL PLUG		01
12	0511011206	BOX COVER		01
13	0511013020	1.49" BREATHING HOLE		01
14	0511017907	1/8" BSPT X 6 PLUG		01
15	0502010861	DISTRIBUTOR BOX		01
16	3402301247	MINERAL OIL GREASE		02Lts



Item	Code	Description	See page	QT
01	0503010523	1/4" X 2" COTTERPIN		04
02	0502012885	CROSS HEAD		02
03	0521018993	CROSSPIECE COUPLING SHAFT		04
04	0501053419	HUB CENTER WHELLS SUPPORT	11	01
05	0501053420	HUB SIDE WHELLS SUPPORT	12	02

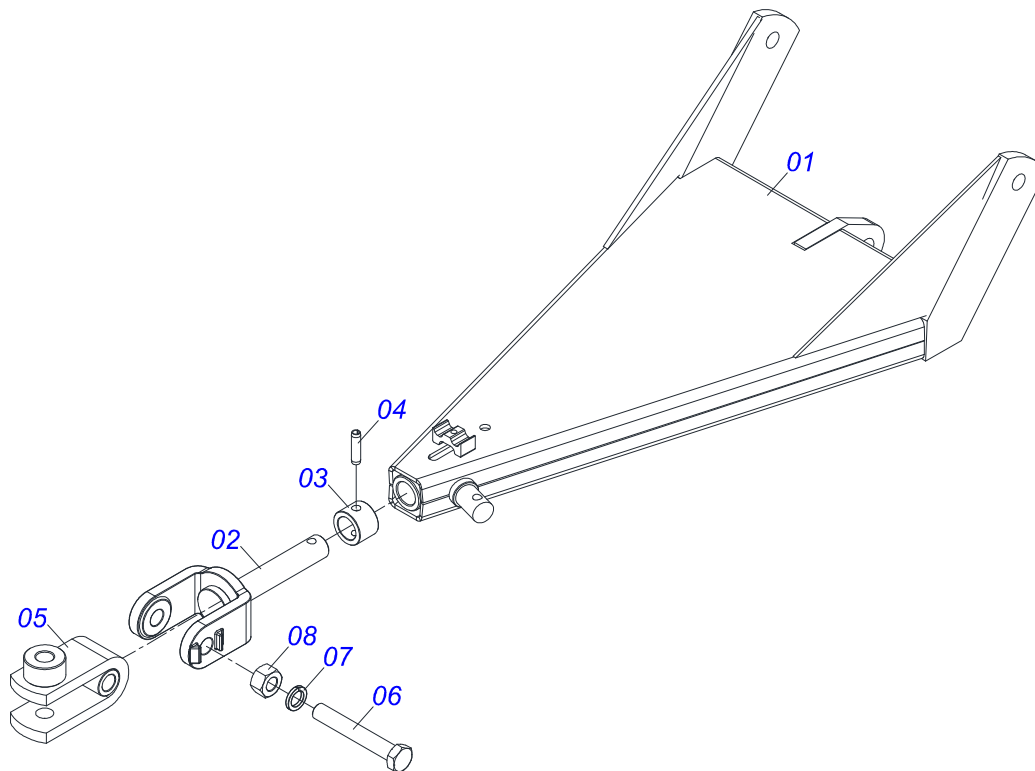


Item	Code	Description	See page	QT
001	0511062797	CENTER WHELLS SUPPORT		01
002	0503010278	SEAL		02
003	0503010016	BEARING LM		02
004	0503010022	BEARING LM		02
005	0503030010	7/8" CASTLE NUT		02
006	0503010018	5/32 X 1-1/2 COTTERPIN		02
007	0521010388	PROTECTIVE COVER		02
008	0503011441	SPRING WASHER		06
009	0503013758	1/4" X 1-1/2" BOLT		06
010	0503010002	1800 GREASE FITTING		02
011	0501110746	CARRYING WHEEL HUB		02
012	0501810127	9/16UNFX1.78BOLT		08
013	0503810035	9/16 NF CONIC NUT		08
014	0501010322	FLAT WASHER		02

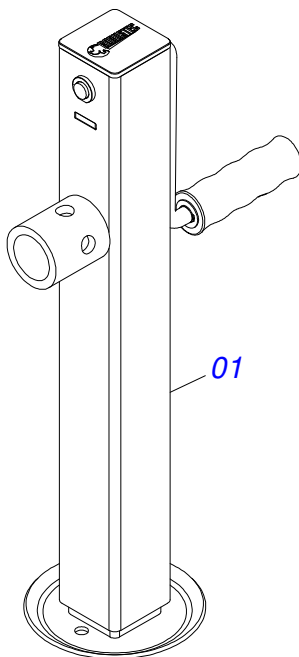


Item	Code	Description	See page	QT
001	0511062796	SIDE WHELLS SUPPORT		01
002	0503010278	SEAL		01
003	0503010016	BEARING LM		01
004	0503010022	BEARING LM		01
005	0503030010	7/8" CASTLE NUT		01
006	0503010018	5/32 X 1-1/2 COTTERPIN		01
007	0521010388	PROTECTIVE COVER		01
008	0503011441	SPRING WASHER		03
009	0503013758	1/4" X 1-1/2" BOLT		03
010	0503010002	1800 GREASE FITTING		01
011	0501110746	CARRYING WHEEL HUB		01
012	0501010127	9/16" X 1-7/8" LUG BOLT		04
013	0503010035	9/16" CONIC NUT		04
014	0501010322	FLAT WASHER		01

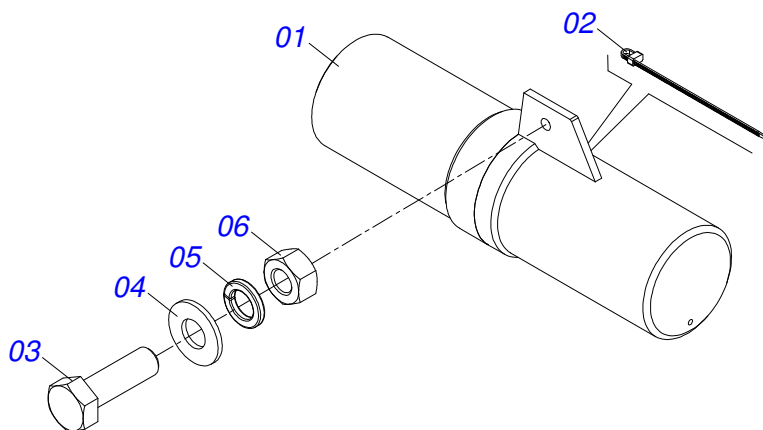




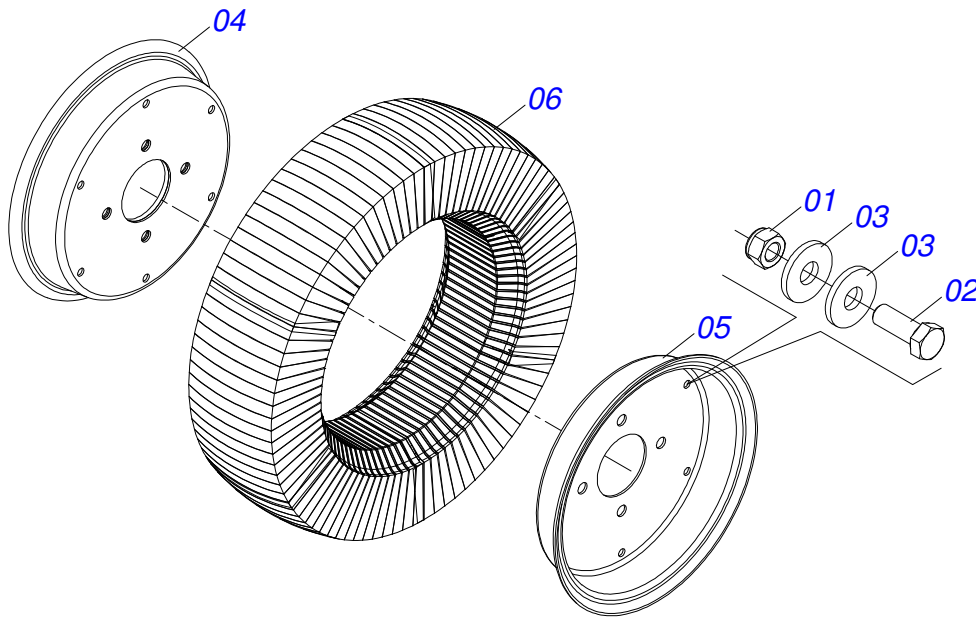
Item	Code	Description	See page	QT
001	0511062793	DRAWBAR		01
002	0501063628	ROTARY HITCH		01
003	0521010473	1.5" X 2.2" X 1.6" SLEEVE WITH HOLE		01
004	0503010815	0.5" X 2.16" SPRING PIN		01
005	0521065106	U COUPLING TRACTOR		01
006	0501010060	1" X 6-1/2" BOLT		01
007	0503011438	SPRING WASHER		01
008	0501010059	1.5/8 NUT		01



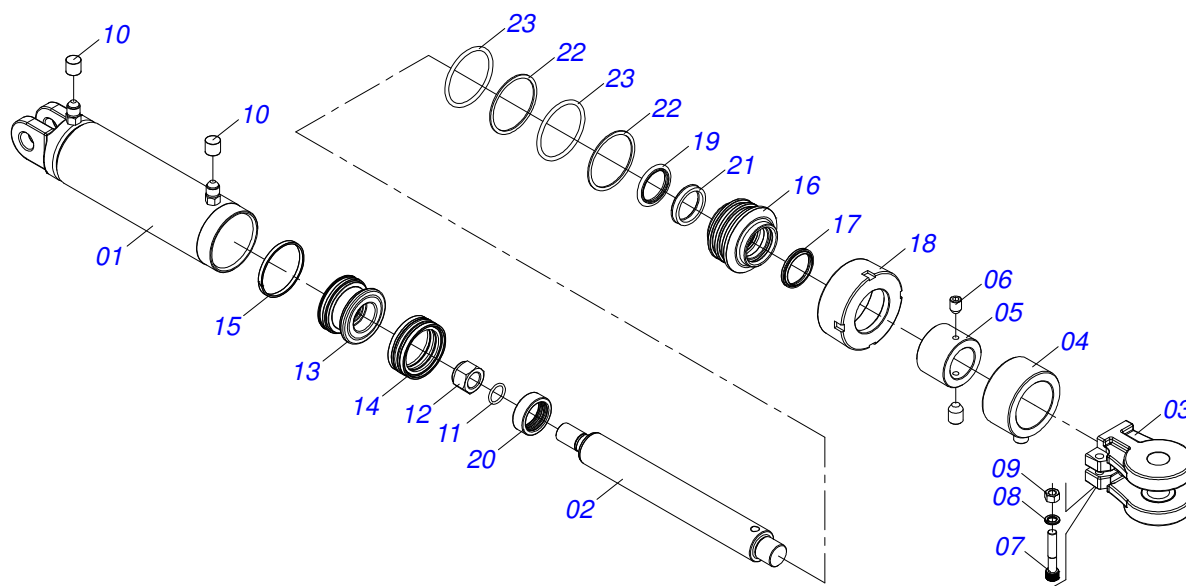
Item	Code	Description	See page	QT
01	0503062157	HEADER JACK	14	01



Item	Code	Description	See page	QT
001	0503060100	OPERATOR'S MANUAL STORAGE TUBE		01
002	0503010267	NYLON CLAMP		01
003	0503010363	5/16" X 1" BOLT		01
004	0501010694	8.5 X 18 X 1.5 FLAT WASHER		01
005	0503010179	5/16" ZN SPRING WASHER		01
006	0503010337	5/16" NUT		01
007	0511032959	PACKING WITH MANUAL		01

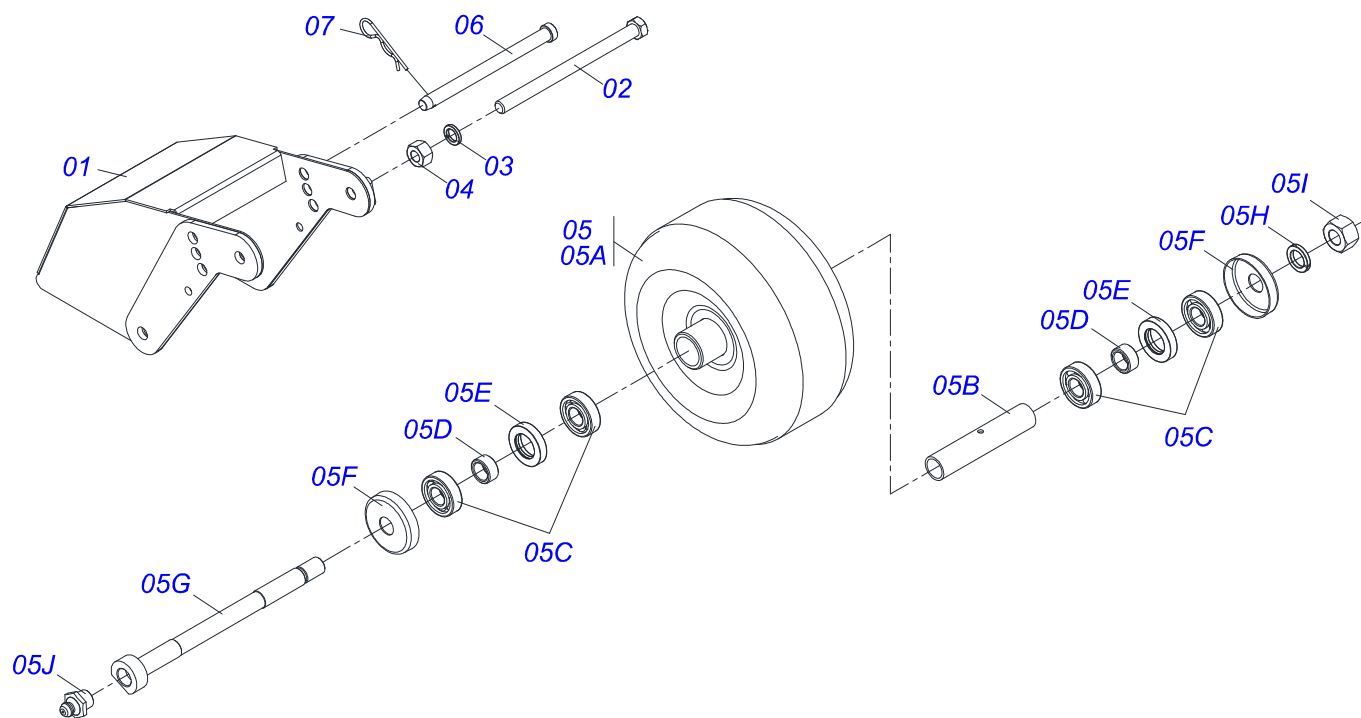


Item	Code	Description	See page	QT
01	0503013357	3/8" SELF-ADJUSTING NUT	06	06
02	0503010237	3/8" X 1" BOLT	06	06
03	0501010984	FLAT WASHER	12	12
04	0501069093	RIM FLANGE	01	01
05	0521010829	RIM FLANGE	01	01
06	0501110168	WHEEL SEGMENT BODY	01	01



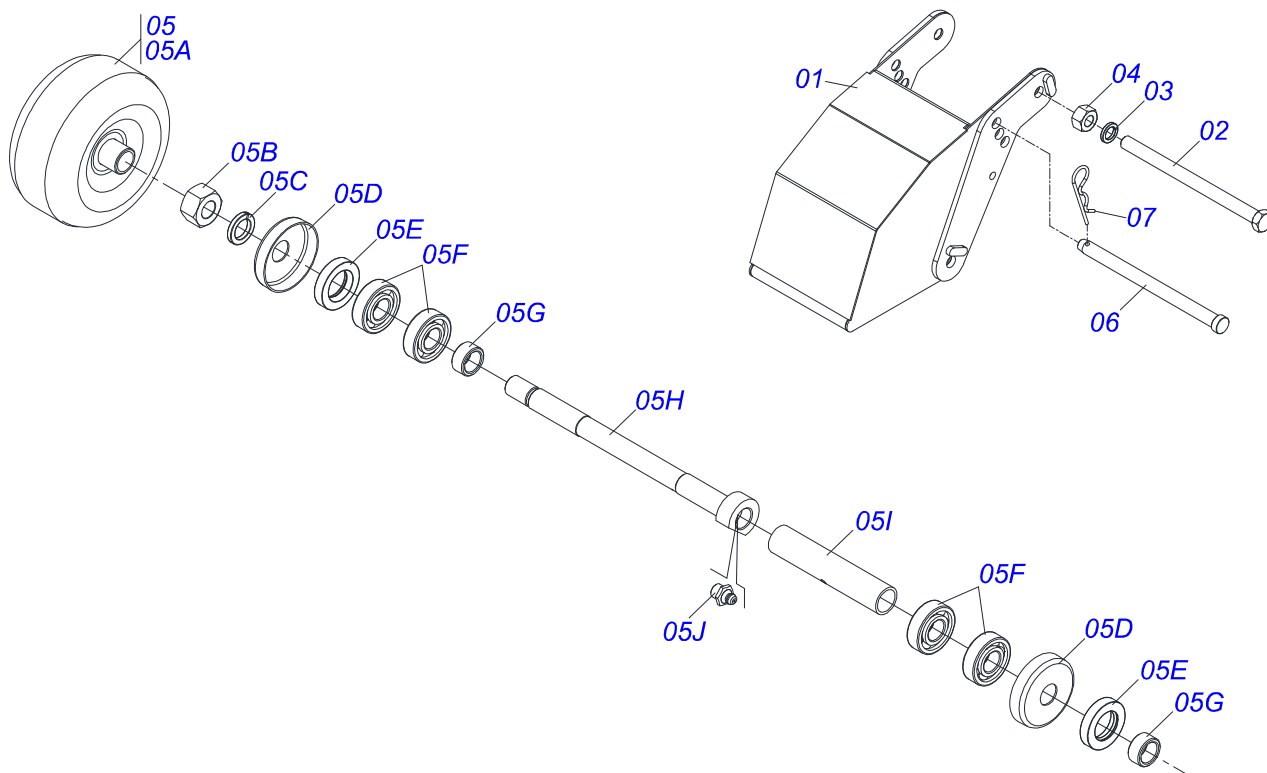
Item	Code	Description	See page	QT
01	0501064255	2.4" X 8" CYLINDER CASE		01
02	0521014292	1.7" X 15" TURNBUCLE WITH HOLES		01
03	0502040493	CLEVIS 26,50 R41		01
04	0511060370	CARRY-W REG OUTER BODY ASSY		01
05	0521014003	REG INNER BODY OF THE CARRY-WHEEL		01
06	0503011148	3/8" X 1/2" BOLT		02
07	0503011094	3/8" X 2" BOLT		01
08	0503010025	3/8" SPRING WASHER		01
09	0503010026	3/8" NUT		01
10	0503030385	CYLINDER PLUG N-002		02
11	0503010042	2-214 N 3006-9B O'RING		01
12	0503010063	1" SELF-ALIGNING NUT		01
13	0571019710	1.7" X 3.4" PISTON		01
14	0503017935	RING		01
15	0503018144	RING		01
16	0571019711	RING SUPPORT		01
17	0503010761	D-1750 SCRAPER RING		01
18	0571019709	DETACHABLE COVER		01
19	0503017936	RING		01
20	0503017938	RING GUIDE		01
21	0503017937	GASKET		01
22	0503017940	8-337 BACK-UP RING		02
23	0503017939	2-337 N 3006-9B O' RING		02
24	0501031796	HYDRAULIC CYLINDER REPAIR KIT		

FRONT WHEEL RIGHT WITH ASSY PROTECTION

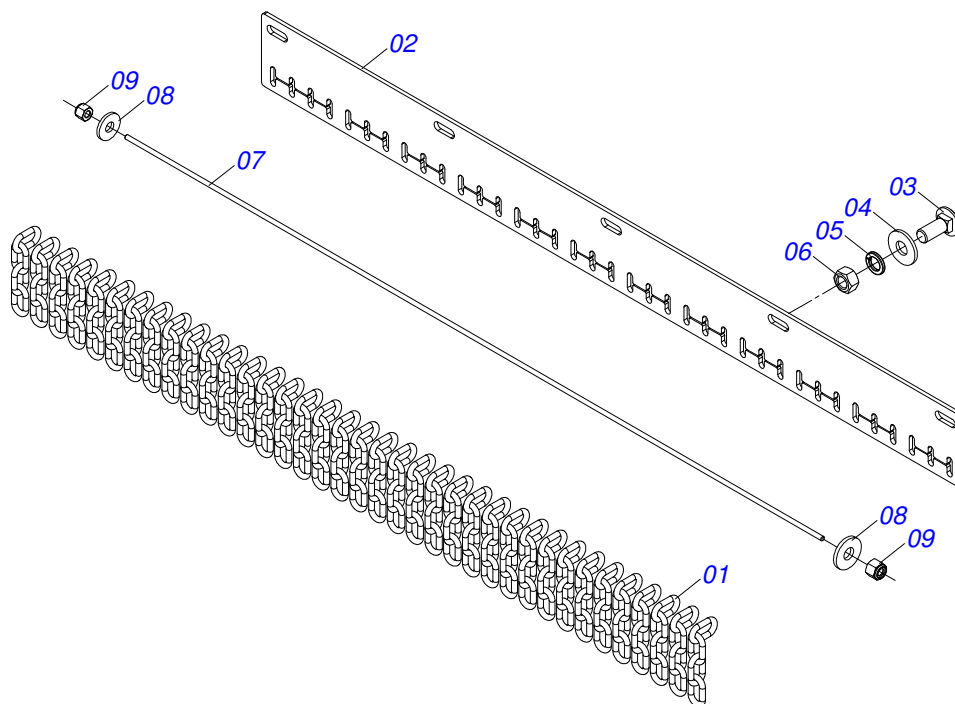


Item	Code	Description	See page	QT
01	0521061648	COVER FRONT WHEEL SUPPORT		01
02	0503012951	3/4" X 10-1/2" BOLT		01
03	0503010023	3/4" SPRING WASHER		01
04	0503010014	3/4" NUT		01
05	0501053885	ARM REAR WHELL		01
05A	0511063509	14" X 8" WHELL		01
05B	0531014502	0.9" X 1.1" X 6.3" SLEEVE		01
05C	0503010269	6204 BALL BEARING		04
05D	0521010487	SPACER WASHER		02
05E	0503010268	00262-B SEAL		02
05F	0511014254	DUST CLOAK		02
05G	0551011854	REAR CARRYING WHEELS AXLE		01
05H	0503011442	3/4" SPRING WASHER		01
05I	0503010014	3/4" NUT		01
05J	0503010002	1800 GREASE FITTING		01
06	0541018559	REAR WHELL CONTROL AXLE		01
07	0503030012	HAIR PIN		01
08	1882970002	GREASE SOAP		01Kg

RIGHT FRONT WHEEL WITH FULL PROTECTION

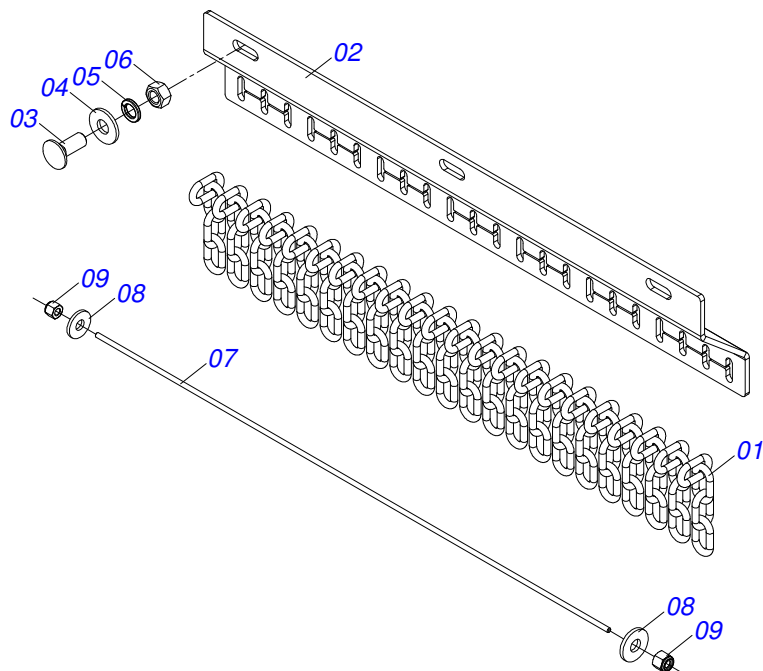


Item	Code	Description	See page	QT
01	0511067120	COVER FRONT WHEEL SUPPORT		01
02	0503012951	3/4" X 10-1/2" BOLT		01
03	0503010023	3/4" SPRING WASHER		01
04	0503010014	3/4" NUT		01
05	0501053885	ARM REAR WHELL		01
05A	0511063509	14" X 8" WHELL		01
05B	0503010014	3/4" NUT		01
05C	0503010023	3/4" SPRING WASHER		01
05D	0511014254	DUST CLOAK		02
05E	0503010268	00262-B SEAL		02
05F	0503010269	6204 BALL BEARING		04
05G	0521010487	SPACER WASHER		02
05H	0551011854	REAR CARRYING WHEELS AXLE		01
05I	0531014502	0.9" X 1.1" X 6.3" SLEEVE		01
05J	0503010002	1800 GREASE FITTING		01
06	0541018559	REAR WHELL CONTROL AXLE		01
07	0503030012	HAIR PIN		01

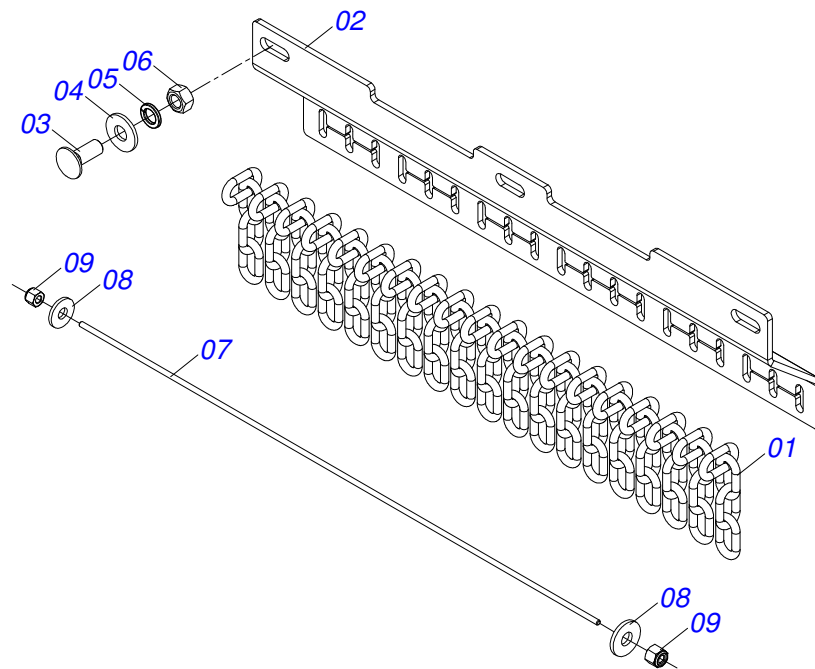


Item	Code	Description	See page	QT
01	0511011774	8,00 CHAIN 4 LINK		37
02	0581012995	BODY PROTECTION LEFT FRONT CURRENT (1340)		01
03	0501011600	1/2" X 1-1/4" BOLT		05
04	0511017302	FLAT WASHER		05
05	0503010019	1/2" SPRING WASHER		05
06	0503012682	1/2" BSW NUT		05
07	0581011785	CURRENT PROTECTION BAR (1398)		01
08	0501010984	FLAT WASHER		02
09	0503013759	NUT		02

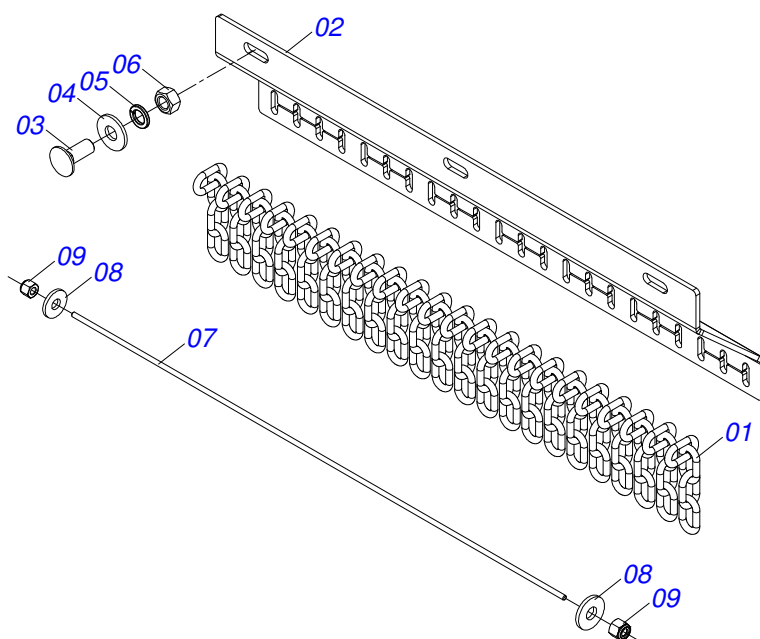




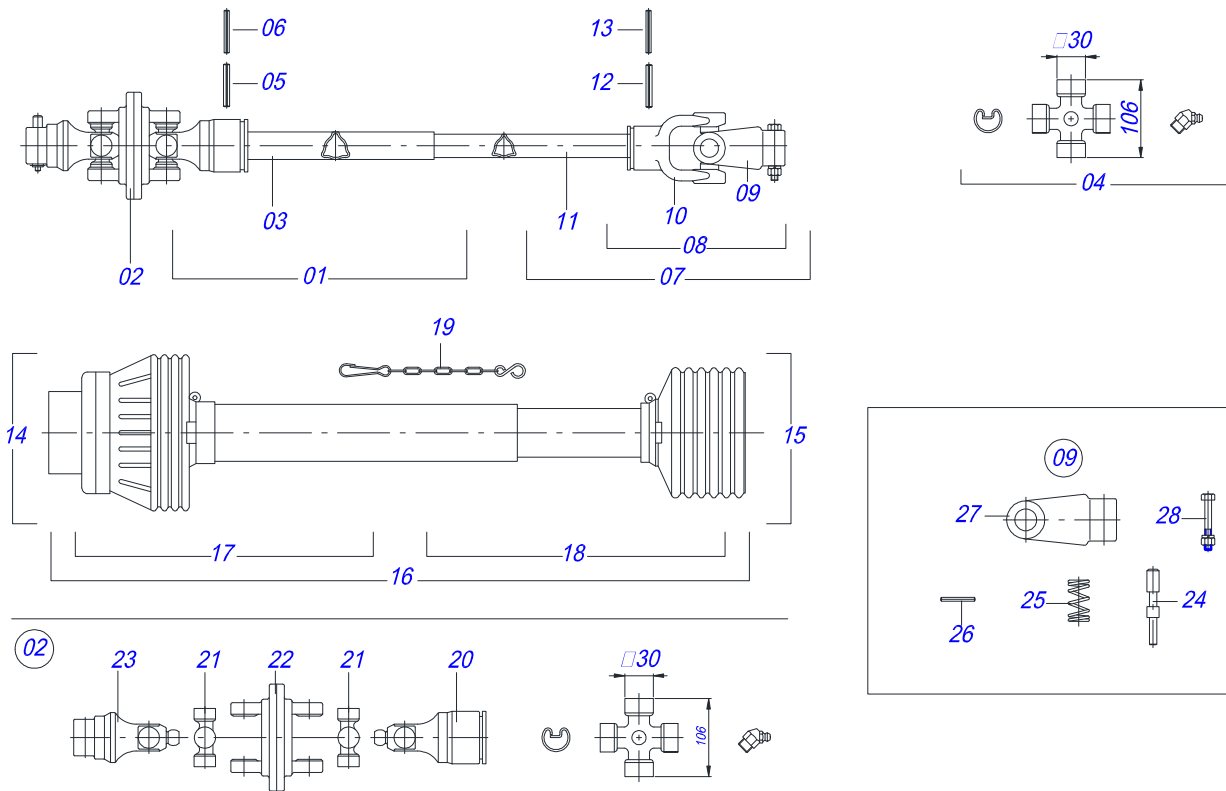
Item	Code	Description	See page	QT
01	0511011774	8,00 CHAIN 4 LINK		22
02	0581012998	BODY PROTECTION LEFT REAR CURRENT (806)		01
03	0501011600	1/2" X 1-1/4" BOLT		03
04	0511017302	FLAT WASHER		03
05	0503010019	1/2" SPRING WASHER		03
06	0503012682	1/2" BSW NUT		03
07	0581012999	CURRENT PROTECTION BAR		01
08	0501010984	FLAT WASHER		02
09	0503013759	NUT		02



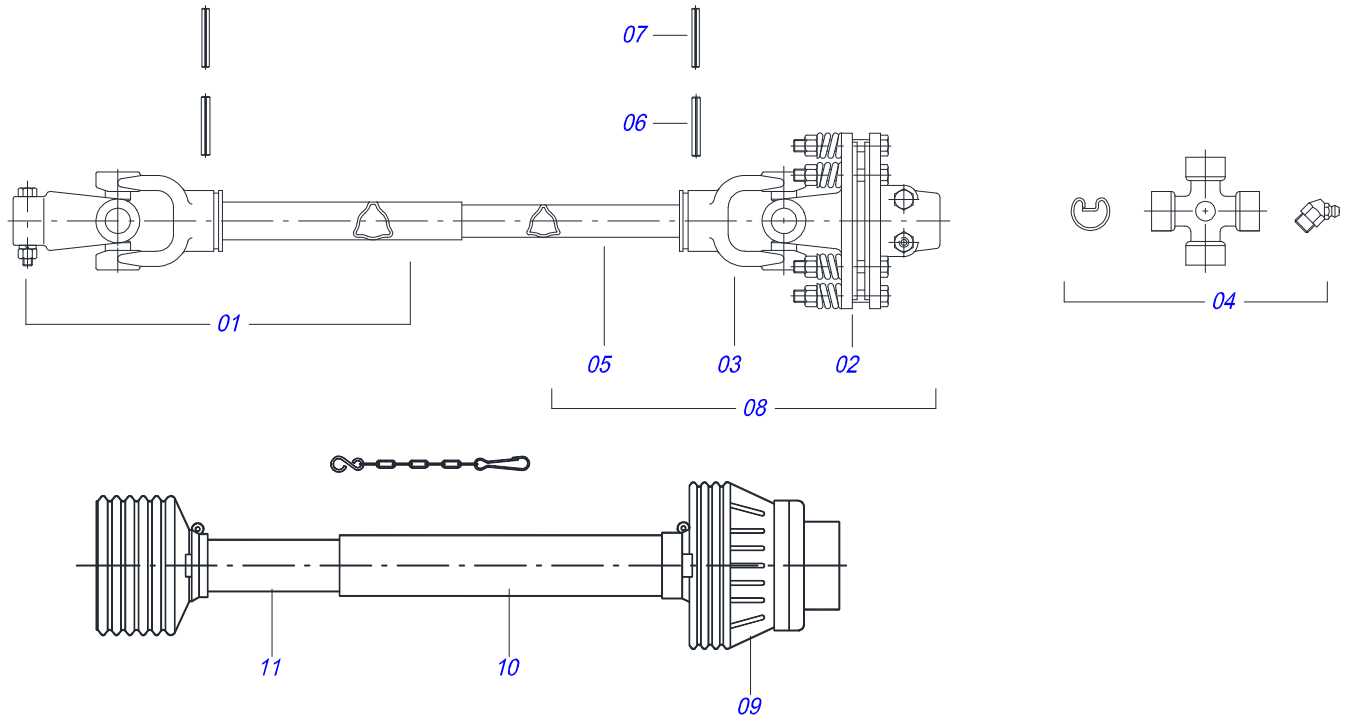
Item	Code	Description	See page	QT
01	0511011774	8,00 CHAIN 4 LINK		19
02	0581012996	CURRENT PROTECTION BODY 760		01
03	0501011600	1/2" X 1-1/4" BOLT		03
04	0511017302	FLAT WASHER		03
05	0503010019	1/2" SPRING WASHER		03
06	0503012682	1/2" BSW NUT		03
07	0581012997	CURRENT PROTECTION BAR 690		01
08	0501010984	FLAT WASHER		02
09	0503013759	NUT		02



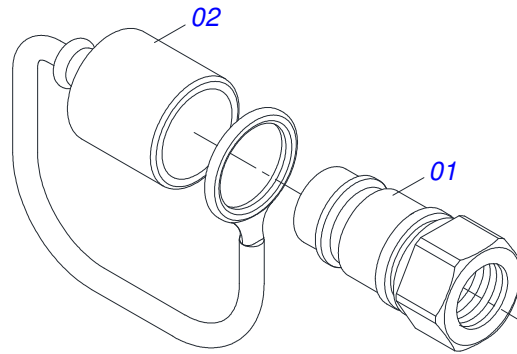
Item	Code	Description	See page	QT
01	0511011774	8,00 CHAIN 4 LINK		22
02	0581013000	BODY PROTECTION RIGHT REAR CURRENT		01
03	0501011600	1/2" X 1-1/4" BOLT		03
04	0511017302	FLAT WASHER		03
05	0503010019	1/2" SPRING WASHER		03
06	0503012682	1/2" BSW NUT		03
07	0581012999	CURRENT PROTECTION BAR		01
08	0501010984	FLAT WASHER		02
09	0503013759	NUT		02



Item	Code	Description	See page	QT
01	0501052544	HOMO JOINT WITH FEMALE BUSHING		01
02	0501052518	HOMOCINETIC JOINT ASSY		01
03	0503012618	2.1" X 2.0" X 31" TRIAN FEMALE TUB		01
04	0503010837	CARDAN CROSSPIECE		01
05	0503010843	0.4" X 3.3" SPRING PIN		01
06	0503011878	0.2" X 3.3" SPRING PIN		01
07	0501052545	UNIVERSAL JOINT WITH CROSS/SHAFT		01
08	0501052546	UNIVERSAL JOINT		01
09	0501052516	T6-60 TERMINAL WITH SCREW		01
10	0503012600	T3-60/CI52 TERMINAL		01
11	0503012619	1.8" X 1.7" X 31" TRIAN MALE TUB		01
12	0503011069	0.4" X 2.8" SPRING PIN		01
13	0503011805	0.2" X 2.8" SPRING PIN		01
14	0501052548	HOMO JOINT WITH PROT FEMALE BUSHING		01
15	0501052549	UNIVERSAL JOINT WITH SHAFT/PROT		01
16	0503012620	PROTECTION ASSY		01
17	0503012621	PROTECTION FOR HOMO JOINT AND SLEEV		01
18	0503012076	PROTECTION FOR UNIV JOINT AND AXLE		01
19	0503012023	CHAIN FOR PROTECTION		01
20	0503012604	HOMO TERMINAL W/ FEMALE BUSHING		01
21	0503012605	CROSSPIECE		02
22	0503012606	CENTER BODY		01
23	0503012607	TRACTOR HOMOCINETIC TERMINAL		01
24	0503037375	PIN QUICK COUPLING		02
25	0503030518	0.5"X1.0"X 0.1" COMPRESSION SPRING		02
26	0503010838	0.1" X 0.8" SPRING PIN		02
27	0502010830	6-60 STRIATED 1.3/8" TERMINAL		01
28	0501047756	1/2" X 3" SET PARTS		02



Item	Code	Description	See page
01	0503013279	FEMALE CARDAN	01
02	0501047953	90 KGM FRICTION	01
03	0503013187	TERMINAL	01
04	0503013260	CROSSPIECE	01
05	0503013261	MALE TRINGULAR TUBE	01
06	0503010842	0.39" X 2.95" SPRING PIN	01
07	0503013259	0.2" X 0.39" SPRING PIN	01
08	0503013278	MALE CARDAN	01
09	0503013262	FRICTION DISC PROTECTION ASSY	01
10	0503013263	FEMALE PROTECTION TUBE	01
11	0503013264	MALE PROTECTION TUBE	01



Item	Code	Description	See page	QT
01	0503011627	MALE QUICK COUPLER AGR 1/2 NPT		01
02	0503011882	MALE QUICK COUPLER CAP		01





[www.marchesan.com.br](http://www.marchesan.com.br)



**Technical Publications | Elaboration and Revision**  
ALESSANDRA PATRICIA KAWAHARA CARRILI