

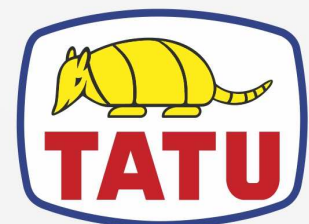
**OFFSET DISK HARROW**

**GCRO 7012 (AXLE 2.1/8") RIGID HYDRAULIC 28 TO  
48 DISCS**

**GCRO 7012 EIXO 2.1/8" RÍGIDA HIDRÁULICA 28 A 48  
DISCOS**

**Code:** 0501092258  
**Series:** S-0417  
**Revision:** 00  
**Revision Date:** NOVEMBER/2023

# **PARTS CATALOGUE**



**MARCHESAN**



# PRODUCTS

Code	Working Width	Description
0102560299		GCRO 7012 28 X 32 X 7,5 DMO HID ESPECIAL S-0417
0102560386		GCRO 7012 28 X 32 X 7,5 DR DMO HID E 2.1/8 ESP S-0417
0102560312		GCRO 7012 28 X 32 X 9,0 DM HID ESPECIAL S-0417
0102560284		GCRO 7012 28 X 32 X 9,0 DMO HID ESPECIAL S-0417
0102560300		GCRO 7012 32 X 32 X 7,5 DMO HID ESPECIAL S-0417
0102560387		GCRO 7012 32 X 32 X 7,5 DR DMO HID E 2.1/8 ESP S-0417
0102560285		GCRO 7012 32 X 32 X 9,0 DMO HID ESPECIAL S-0417
0102560377		GCRO 7012 32 X 32 X 9,0 DR DMO HID E 2.1/8 ESP S-0417
0102560301		GCRO 7012 36 X 32 X 7,5 DMO HID ESPECIAL S-0417
0102560313		GCRO 7012 36 X 32 X 9,0 DM HID ESPECIAL S-0417
0102560286		GCRO 7012 36 X 32 X 9,0 DMO HID ESPECIAL S-0417
0102560378		GCRO 7012 36 X 32 X 9,0 DR DMO HID E 2.1/8 ESP S-0417
0102560302		GCRO 7012 40 X 32 X 7,5 DMO HID ESPECIAL S-0417
0102560287		GCRO 7012 40 X 32 X 9,0 DMO HID ESPECIAL S-0417
0102560379		GCRO 7012 40 X 32 X 9,0 DR DMO HID E 2.1/8 ESP S-0417
0102560303		GCRO 7012 44 X 32 X 7,5 DMO HID ESPECIAL S-0417
0102560288		GCRO 7012 44 X 32 X 9,0 DMO HID ESPECIAL S-0417
0102560304		GCRO 7012 48 X 32 X 7,5 DMO HID ESPECIAL S-0417
0102560289		GCRO 7012 48 X 32 X 9,0 DMO HID ESPECIAL S-0417
0102560380		GCRO 7012 48 X 32 X 9,0 DR DMO HID E 2.1/8 ESP S-0417

## ATTENTION: IMPORTANT

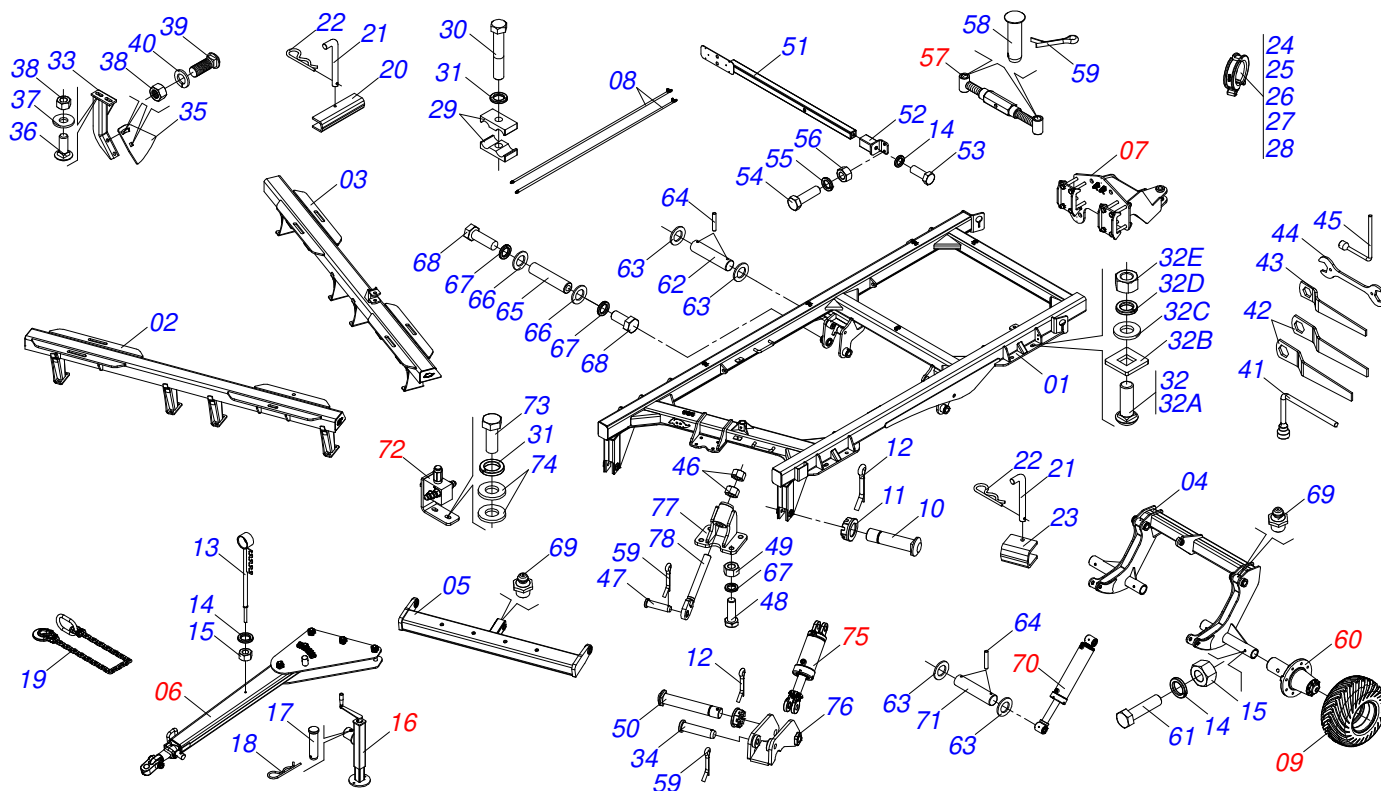
Marchesan S.A. reserves the right to improve and/or modify the technical features of its products, without obligation to do the same with those products already sold and without prior knowledge of the dealer or the customer. The photos are only illustrative.



# INDEX

0909094250	FRAME ASSY	.....	1
0521047325	TRACTION BAR ASSY	.....	2
0511041592	ASSY TRACTION BAR (PIN 3)	.....	3
0531040171	ASSY HITCH	.....	4
0909092741	REAR COUPLING KIT	.....	5
0501053835	FEMALE QUICK COUPLER	.....	6
0503060102	WHEEL AND TIRE 400/60 - 14L RIGHT	.....	7
0511048088	DRAWBAR JACK	.....	8
0501052005	STABILIZER FOR GANG	.....	9
0501056467	STUB SHAFT & HUB ASSY 21FT	.....	10
0521051832	HYDRAULIC CYLINDER 53,98 X 114,30 X 654 X 346	.....	11
0511059196	ASSY VALVE	.....	12
0521046001	HYDRAULIC CILINDER 50,80 X 101,60 X 410 X 107	.....	13
0909094251	FRONT DISCS SECTION	.....	14
0909094252	REAR DISC SECTION	.....	15
0521046379	AGRICULTURAL BEARING PROTECTIVE SUPPORT	.....	16
0511047876	AGRICULTURAL BEARING	.....	17
0909094253	HYDRAULIC CIRCUIT REAR COUPLING	.....	18
0501053834	MALE QUICK COUPLER	.....	19

FRAME ASSY



Item	Code	Description	See page	028	032	036	040	044	048
01	0521067801	FRAME		001	001	000	000	000	000
01.	0521066477	FRAME		000	000	001	001	001	001
02	0521068192	FRONT FRAME - 28D		001	000	000	000	000	000
02.	0521066655	FRONT FRAME - 32D		000	001	000	000	000	000
02..	0521066657	FRONT FRAME - 36D		000	000	001	000	000	000
02...	0521068193	FRONT FRAME - 40D		000	000	000	001	000	000
02....	0521068195	FRONT FRAME - 44D		000	000	000	000	001	000
02.....	0521068197	FRONT FRAME - 48D		000	000	000	000	000	001
03	0521068191	REAR FRAME - 28D		001	000	000	000	000	000
03.	0521066656	REAR FRAME - 32D		000	001	000	000	000	000
03..	0521066658	REAR FRAME - 36D		000	000	001	000	000	000
03...	0521068194	REAR FRAME - 40D		000	000	000	001	000	000
03....	0521068196	REAR FRAME - 44D		000	000	000	000	001	000
03.....	0521068198	REAR FRAME - 48D		000	000	000	000	000	001
04	0521067803	CARRYNG-WHEELS		001	001	000	000	000	000
04.	0521066478	CARRYNG-WHEELS		000	000	001	001	001	001
05	0521067800	BAR HITCH		001	001	000	000	000	000
05.	0521066494	HITCH BAR		000	000	001	001	001	001
06	0521047325	TRACTION BAR ASSY	2	001	001	000	000	000	000
06.	0511041592	ASSY TRACTION BAR (PIN 3)	3	000	000	001	001	001	001
07		REAR COUPLING KIT	5						
08	0521067804	OIL DISTRIBUTOR DUCT		002	002	000	000	000	000
08.	0521066937	OIL DISTRIBUTOR DUCT		000	000	002	002	002	002
09	0503060102	WHEEL AND TIRE 400/60 - 14L RIGHT	7	004	004	004	004	004	004
10	0531018100	37,50 X 200 COUPLING SHAFT		002	002	002	002	002	002
11	0501011301	1.1/2" UNC 6FPP 2.5/16" NUT		003	003	003	003	003	003
12	0503010010	SPLIT PIN 1/4" X 2.1/2"		003	003	003	003	003	003
13	0521062849	HOSE HOLDER ASSY		001	001	001	001	001	001
14	0503010023	3/4" SPRING WASHER		011	011	011	011	011	011
15	0503010014	3/4" ZN G.5 (HEAVY) UNC HEX NUT		005	005	005	005	005	005



FRAME ASSY

0909094250

Item	Code	Description	See page	028	032	036	040	044	048
16	0511048088	DRAWBAR JACK	8	001	001	001	001	001	001
17	0561014251	COUPLING SHAFT		001	001	001	001	001	001
18	0503030012	HITCH PIN CLIP		001	001	001	001	001	001
19	0503013150	1300 X 3/8" CHAIN		001	001	001	001	001	001
20	0561016693	TRANSPORT LOCK		002	002	002	002	002	002
21	0541016844	FIXER LOCK		003	003	003	003	003	003
22	0503030285	HITCH PIN CLIP		003	003	003	003	003	003
23	0581010751	TRANSPORT LOCK		001	001	001	001	001	001
24	0501047895	25 ROD STOP		006	006	006	006	006	006
25	0501047885	30 ROD STOP		003	003	003	003	003	003
26	0501047886	35 ROD STOP		003	003	003	003	003	003
27	0501047887	40 ROD STOP		003	003	003	003	003	003
28	0501047888	45 ROD STOP		003	003	003	003	003	003
29	0502010477	HOSE CLAMP		010	009	009	009	009	009
30	0503011103	BOLT 7/16" UNC X 2.1/2" C S G.5 ZN		002	002	002	002	002	002
31	0503010180	7/16" SPRING WASHER		008	007	007	007	007	007
32	0501041102	1-1/4" X 3-3/4" ASSY BOLT		008	008	008	008	008	008
32A	0501015348	1-1/4" X 3-3/4" BOLT		008	008	008	008	008	008
32B	0501010953	1-1/4" SQUARE WASHER		008	008	008	008	008	008
32C	0531010713	FLAT WASHER		008	008	008	008	008	008
32D	0503010070	SPRING WASHER		008	008	008	008	008	008
32E	0501010087	1.1/4" NUT		008	008	008	008	008	008
33	0521061053	CLEANER SUPPORT		029	033	037	041	045	049
34	0531019171	1.25" X 7" COUPLING SHAFT		001	001	001	001	001	001
35	0561014263	CLEANER SHOVEL		029	033	037	041	045	049
36	0503012699	BOLT 5/8NC X 2 CAPQ G.5 ZN 1K20548		058	066	074	082	090	090
37	0501012140	FLAT WASHER 16,50 X 40 X 4,00 ZN		074	090	098	106	122	122
38	0503010013	5/8" UNC G.5 ZN HEX NUT		116	132	148	164	180	180
39	0503012195	5/8" NUT		058	066	074	082	090	090
40	0503010027	5/8 SPRING WASHER		062	066	074	082	090	090
41	0503016137	1-1/4" WRENCH CABLE CYLINDER		001	001	001	001	001	001
42	0501061044	2-1/8" AND 2-1/2" CABLE FLAT WRENCH		002	002	002	002	002	002
43	0501011432	1-1/2" AND 1-5/8 GANG BOLT WRENCH		001	001	001	001	001	001
44	0541015451	WRENCH 2.3/8 X 2.3/4		001	001	001	001	001	001
45	0503015723	WRENCH WRENCH CYLINDRICAL 7/8		001	001	001	001	001	001
46	0501010333	1.3/4" NUT		002	002	002	002	002	002
47	0521012538	1.2" X 3.5" COUPLING SHAFT		001	001	001	001	001	001
48	0501010276	BOLT		004	004	004	004	004	004
49	0501010059	1.5/8 NUT		004	004	004	004	004	004
50	0521012053	1.5" X 8.6" AXLE		001	001	001	001	001	001
51	0521066443	SUPPORT FIXER LANTERN		002	002	002	002	002	002
52	0521066624	FIXER SUPPORT LANTERN		002	002	002	002	002	002
53	0501010098	BOLT 3/4" UNC X 2 C S G.5 ZN		002	002	002	002	002	002
54	0503011082	C1/2" X 1.3/4" SCREW		004	004	004	004	004	004
55	0503010019	1/2" SPRING WASHER		004	004	004	004	004	004
56	0503010060	1/2 UNC G.5 ZN HEX NUT		004	004	004	004	004	004
57	0501052005	STABILIZER FOR GANG	9	001	001	001	001	001	001
58	0521010546	1.2" X 5.7" COUPLING SHAFT		004	004	004	004	004	004
59	0503010523	1/4" X 2" SPLIT PIN		004	004	004	004	004	004
60	0501056467	STUB SHAFT & HUB ASSY 21FT	10	004	004	004	004	004	004
61	0503011198	BOLT 3/4" UNC X 6" CS G.5		004	004	004	004	004	004
62	0531018105	1.2" X 11.8" PIVOT SHAFT		002	002	002	002	002	002
63	0501017779	FLAT WASHER 32 X 60 X 4,75		008	008	008	008	008	008
64	0503011877	0.3" X 2.4" SPRING PIN		008	008	008	008	008	008
65	0531018062	COUPLING SHAFT		002	002	002	002	002	002
66	0521011565	FLAT WASHER		004	004	004	004	004	004
67	0503010012	1" SPRING WASHER		008	008	008	008	008	008

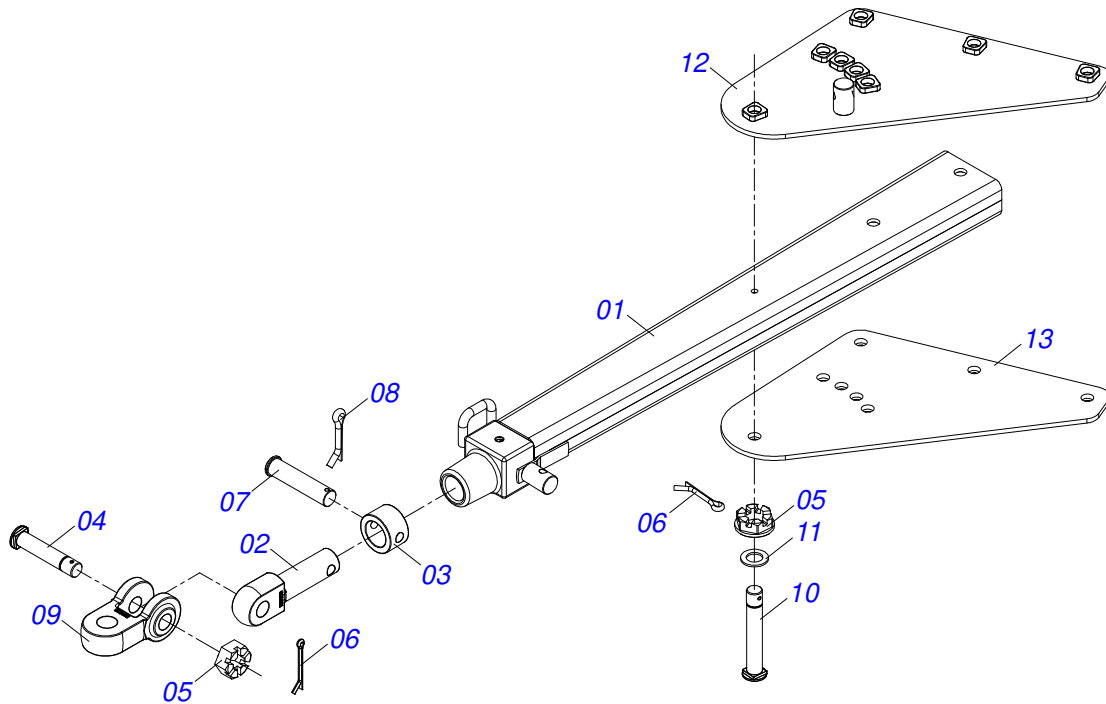


FRAME ASSY

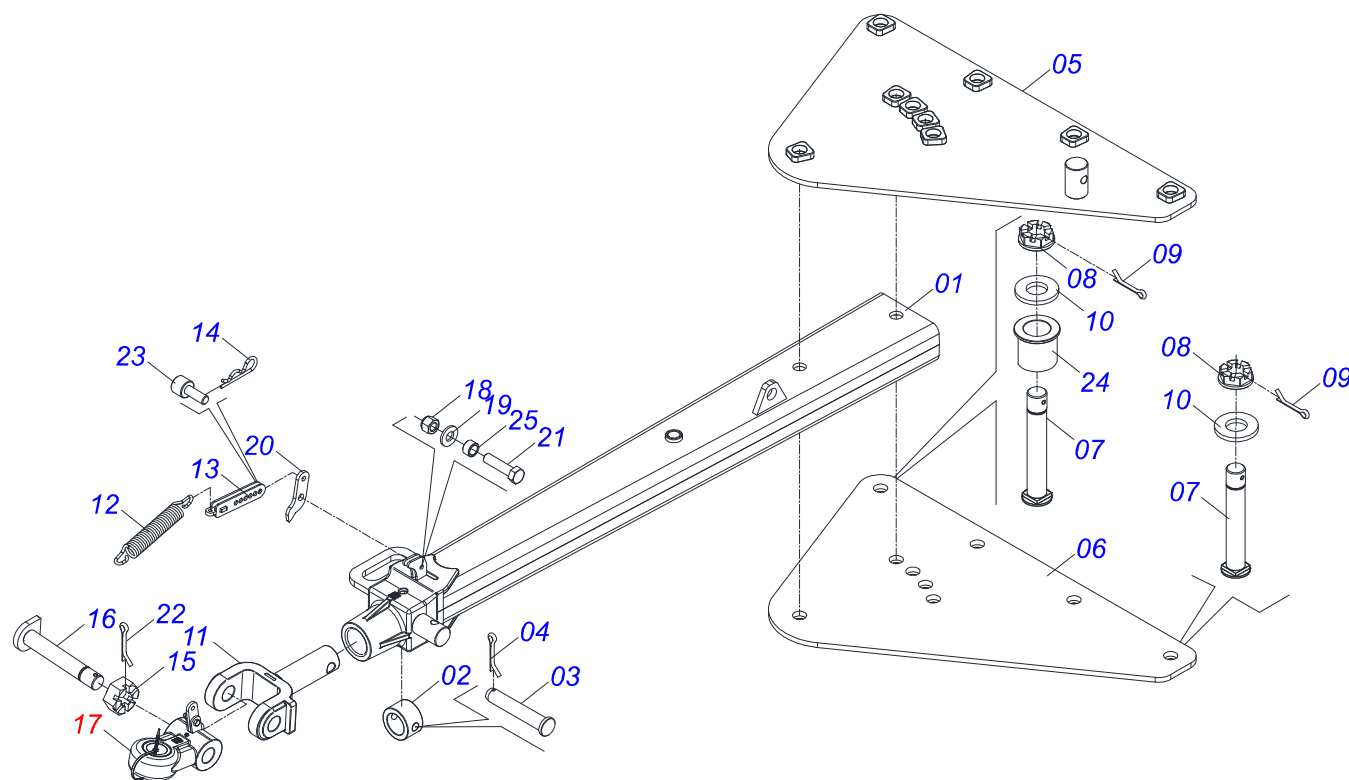
0909094250

Item	Code	Description	See page	028	032	036	040	044	048
68	0503011250	1" X 2" BOLT		004	004	004	004	004	004
69	0503010002	1800 GREASE FITTING		011	017	017	017	017	017
70	0521051832	HYDRAULIC CYLINDER 53,98 X 114,30 X 654 X 346	11	002	002	002	002	002	002
71	0531018101	1.2" X 6.3" PIVOT SHAFT		002	002	002	002	002	002
72	0511059196	ASSY VALVE	12	001	001	001	001	001	001
73	0503011173	7/16" X 2" BOLT		003	002	002	002	002	002
74	0501012803	FLAT WASHER 12 X 30 X 3,00 ZN		005	002	002	002	002	002
75	0521046001	HYDRAULIC CILINDER 50,80 X 101,60 X 410 X 107	13	001	001	001	001	001	001
76	0511064656	DRAWBAR PIVOT		001	001	001	001	001	001
77	0521066580	CYLINDER FIXER		001	001	001	001	001	001
78	0511064433	REGULATOR SPINDLE 1-3/4		001	001	001	001	001	001

TRACTION BAR ASSY

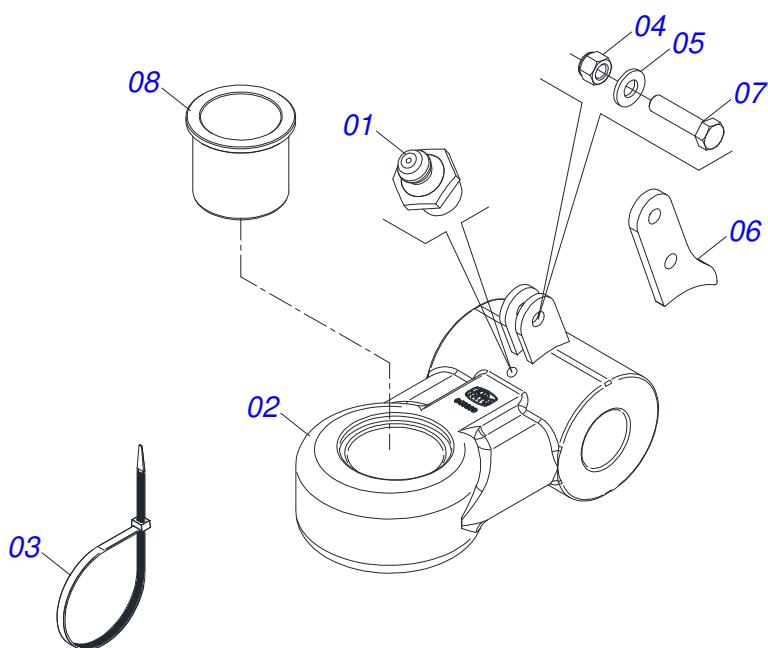


Item	Code	Description	See page	QT
01	0511071192	TRACTION BAR BODY		01
02	1902040223	PIN HITCH		01
03	1902040327	LOCK SLEEVE		01
04	0521012545	COUPLING SHAFT		01
05	0501011301	1.1/2" UNC 6FPP 2.5/16" NUT		06
06	0503010010	SPLIT PIN 1/4" X 2.1/2"		06
07	0511014902	COUPLING SHAFT		01
08	0503010571	1/4" X 1.1/2" SPLIT PIN		01
09	1902040733	U COUPLING HOOK		01
10	0521011880	37,5 X 242 COUPLING SHAFT		05
11	0501012916	FLAT WASHER 40 X 66 X 4,75 ZN		05
12	0511067825	UPPER PLATE		01
13	0511067826	LOWER PLATE		01

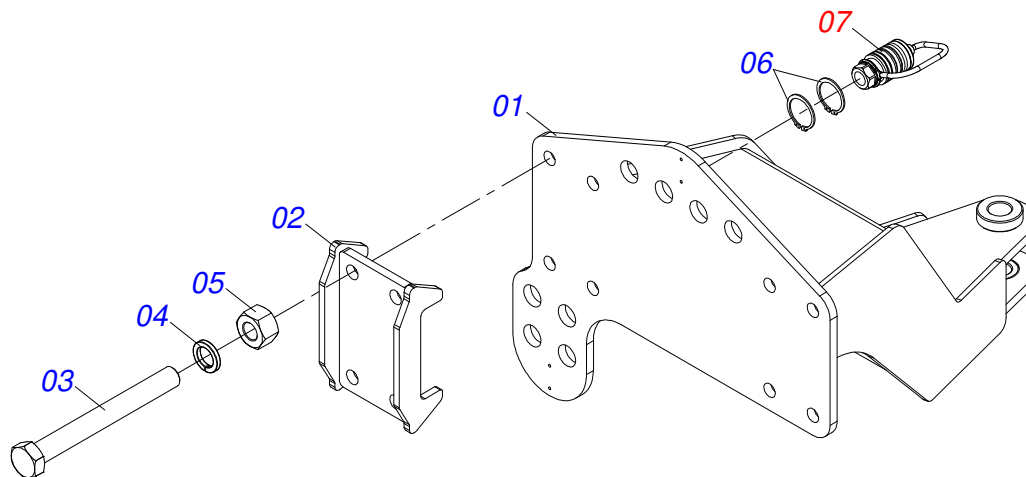


Item	Code	Description	See page	QT
01	0511064669	DRAWBAR ASSY		01
02	0502040263	HITCH LOCK RING		01
03	0561017306	COUPLING SHAFT		01
04	0503010523	1/4" X 2" SPLIT PIN		01
05	0511064659	UPPER PLATE		01
06	0511064658	LOWER PLATE		01
07	0521011880	37,5 X 242 COUPLING SHAFT		06
08	0501011301	1.1/2" UNC 6FPP 2.5/16" NUT		06
09	0503010010	SPLIT PIN 1/4" X 2.1/2"		06
10	0501012916	FLAT WASHER 40 X 66 X 4,75 ZN		06
11	1902040897	TRACTOR HITCH		01
12	0503031741	1.8" X 11.4" 0.3" TRACTION SPRING		01
13	0531061607	SPRING REGULATOR		01
14	0503030285	HITCH PIN CLIP		01
15	0502040558	2" CASTLE NUT		01
16	0531061122	AXIS ARTICULATOR		01
17	0531040171	ASSY HITCH	4	01
18	0503010589	UNC SELF ADJUSTING NUT 1/2" UNC ALTA G.5 ZN		01
19	0501010937	13,50 X 28 X 3,00 FLAT WASHER		01
20	0591014554	REAR SUPPORT FIXING SPRING		01
21	0503010740	BOLT 1/2 UNC X 2 CS G.5 ZN		01
22	0503010074	3/8" X 4" SPLIT PIN		01
23	0591014558	SPRING REGULATOR FIXER AXLE		01
24	0591013086	SLEEVE 52,8 X 78 X 76 (PIN 2")		01
25	0591014552	SLEEVE		01

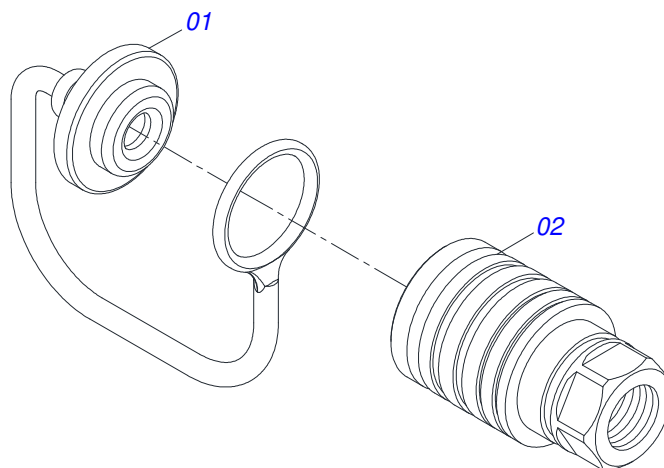




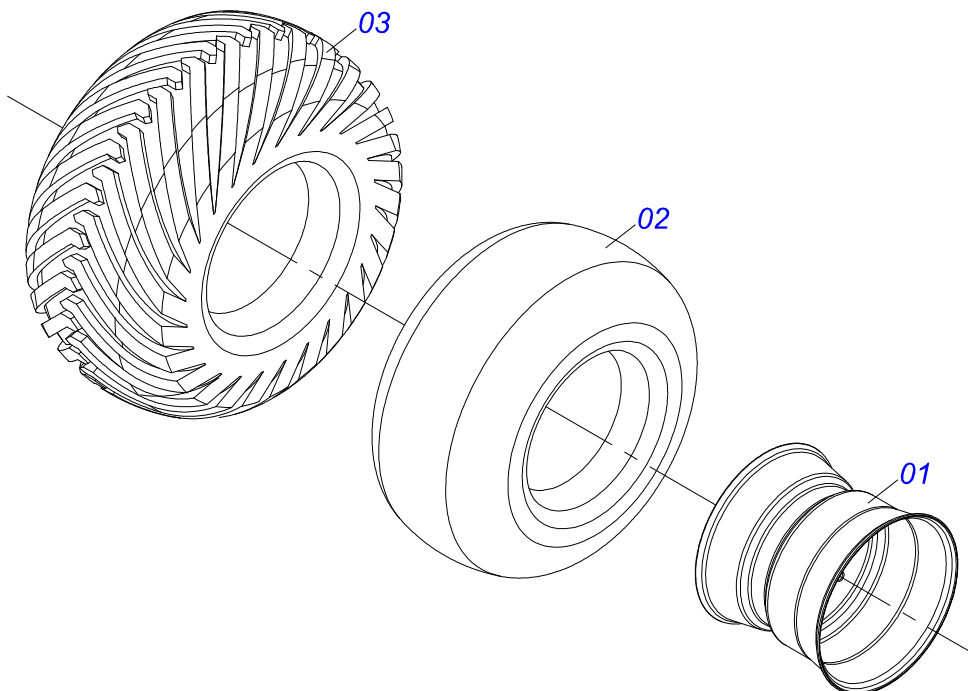
Item	Code	Description	See page	QT
01	0503010002	1800 GREASE FITTING		01
02	0531061121	HITCH		01
03	0503018829	NYLON CLAMP 7,8 X 1,8 X 390 MM		01
04	0503010589	UNC SELF ADJUSTING NUT 1/2" UNC ALTA G.5 ZN		01
05	0501010937	13,50 X 28 X 3,00 FLAT WASHER		01
06	0591014555	FRONT SUPPORT FIXING SPRING		01
07	0503010740	BOLT 1/2 UNC X 2 CS G.5 ZN		01
08	0591013448	SLEEVE 65,50 X 78 X 76 (PIN 2.1/2")		01



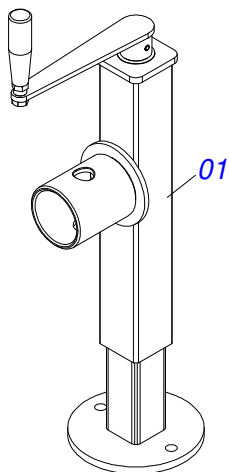
Item	Code	Description	See page	QT
01	0521065966	REAR HITCH		01
02	0521065965	FIXER CLAW		02
03	0501010064	BOLT 1" UNC X 9 CS G.5 ZN		08
04	0503010012	1" SPRING WASHER		08
05	0501010059	1.5/8 NUT		08
06	0503010217	501040 CLAMPING RING (FOR AXLE)		04
07	0501053835	FEMALE QUICK COUPLER	6	02



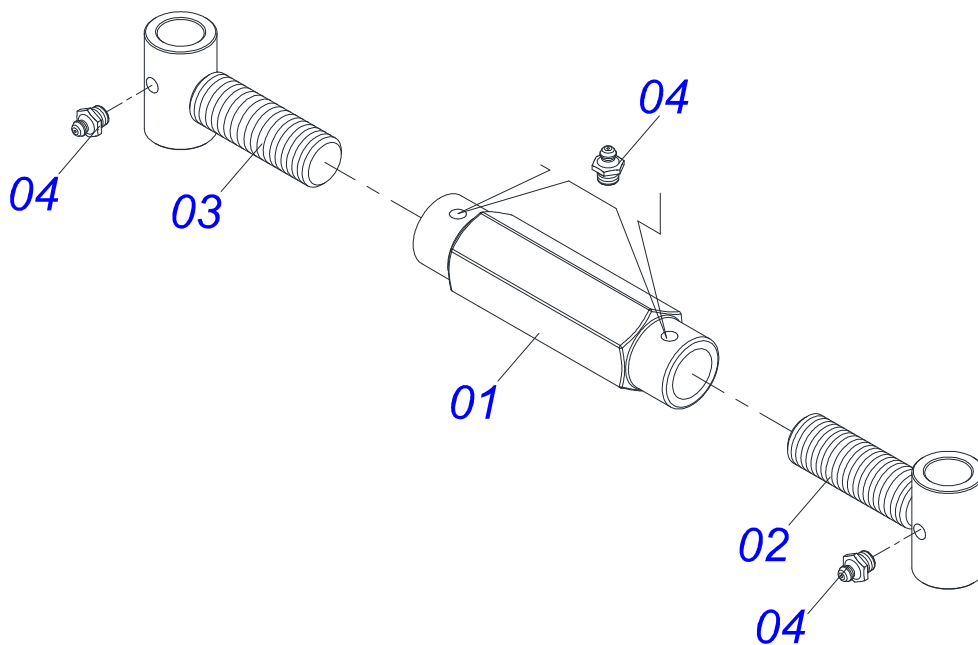
Item	Code	Description	See page	QT
01	0503011883	QUICK CONNECTION COVER		01
02	0503011628	FEMALE QUICK COUPLER		01



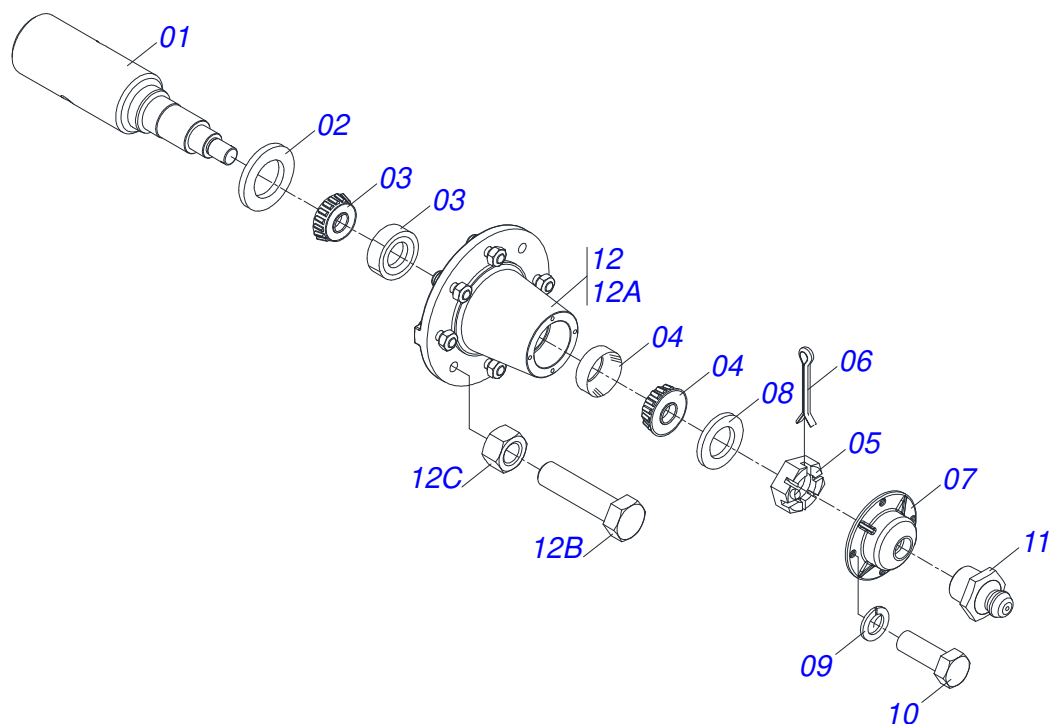
Item	Code	Description	See page	QT
01	0501069483	WHEEL 13 X 15,5 - 21FT		01
02	0503012112	400/60 - 15.5 TR 15 INNER TIRE		01
03	0503013119	CANVAS TIRE 400/60-15,5-T404-14L TRELEBORG		01



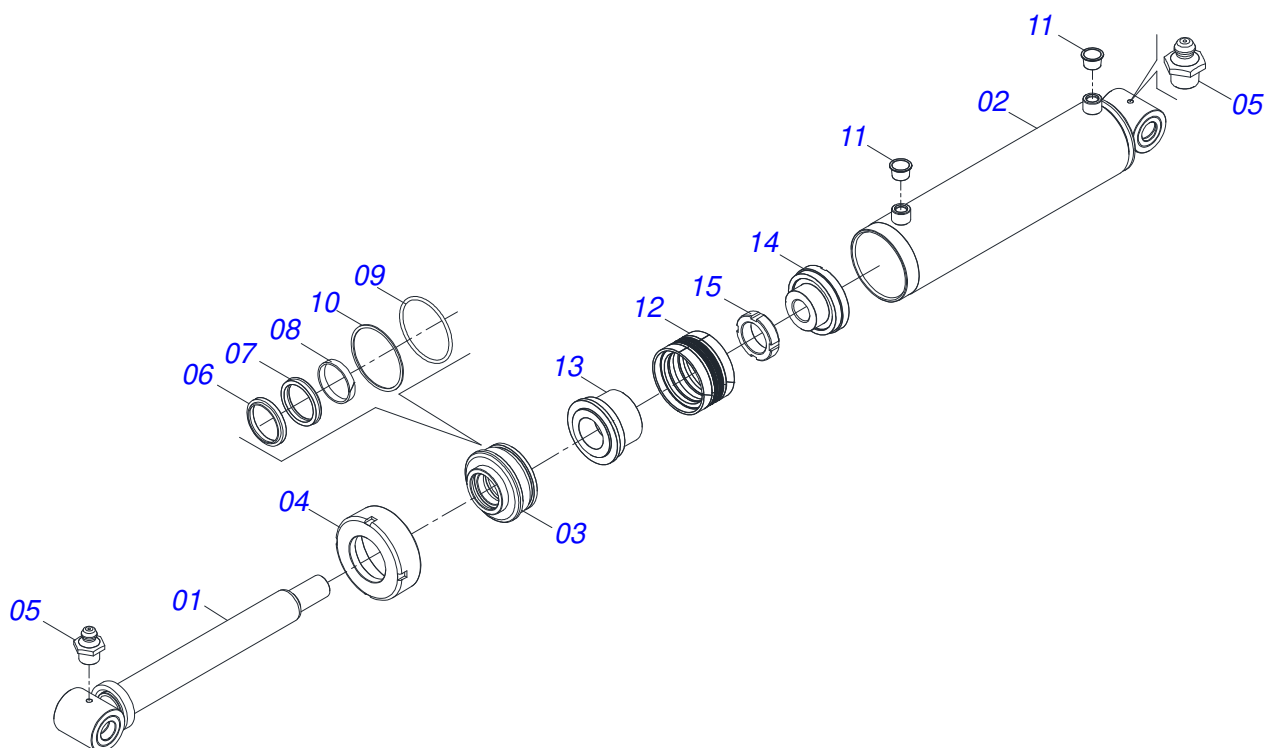
Item	Code	Description	See page	QT
01	0503062227	DRAWBAR JACK		01



Item	Code	Description	See page	QT
01	0502011469	245 ADJUSTMENT NUT		01
02	0501069416	JACKET		01
03	0501069417	JACK CRANK		01
04	0503010002	1800 GREASE FITTING		04



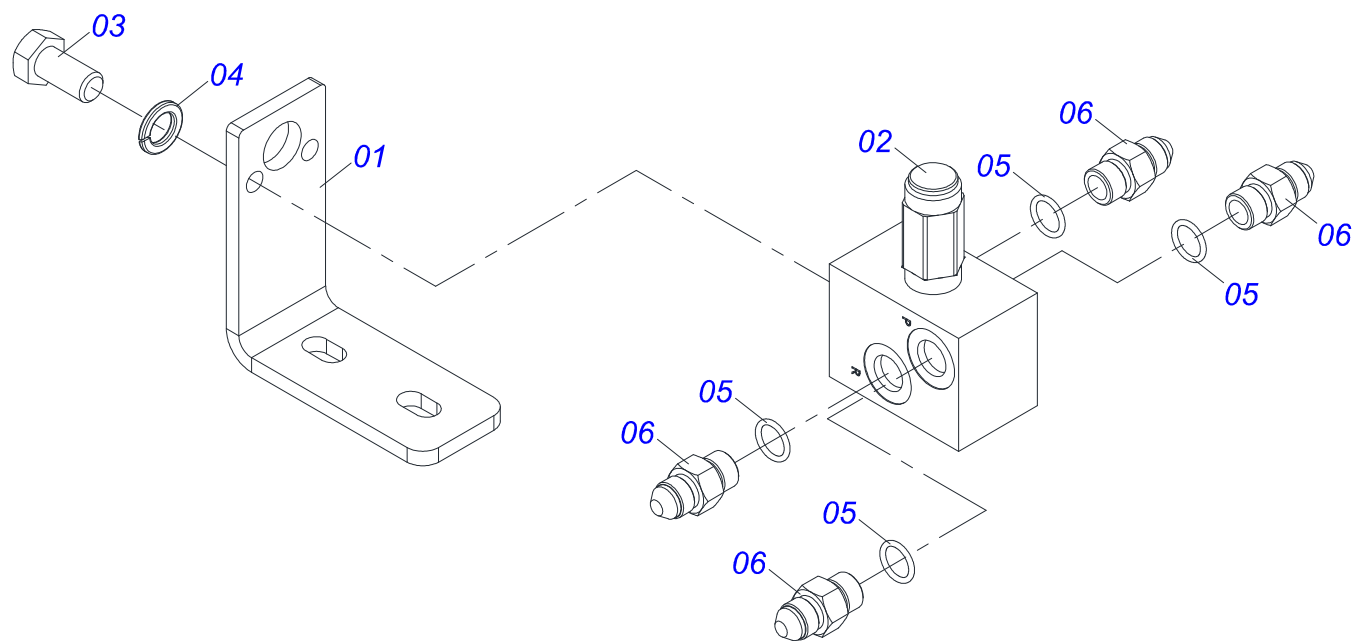
Item	Code	Description	See page	QT
01	0541016566	SPINDLE 3.1/2 X 375		01
02	0503013314	RETAINER 5166-GB 63,5 X 110 X 13 ARCA		01
03	0503015290	ROLLER BEARING 3780/3720		01
04	0503014821	ROLLER BEARING 2780/2720		01
05	0503830009	CASTLE NUT R 1 UNS 14FPP X 22 SA		01
06	0503010018	5/32" X 1-1/2" SPLIT PIN		01
07	0502020591	PROTECCION COVER		01
08	0511812492	FLAT WASHER 28 X 46 X 6,30 AS		01
09	0503011444	SPRING WASHER 5/16"		04
10	0503810358	BOLT 5/16 UNC X 7/8" C S G.5 SA		04
11	0503010002	1800 GREASE FITTING		01
12	0501110738	CARRYING WHEEL HUB 21FT		01
12A	0502012260	TRANSPORT CARRYING-WHEEL HUB		01
12B	0501010186	WHEEL BOLT 5/8"UNF X 2.1/8CR		08
12C	0503010064	5/8 UNF CONIC NUT		08



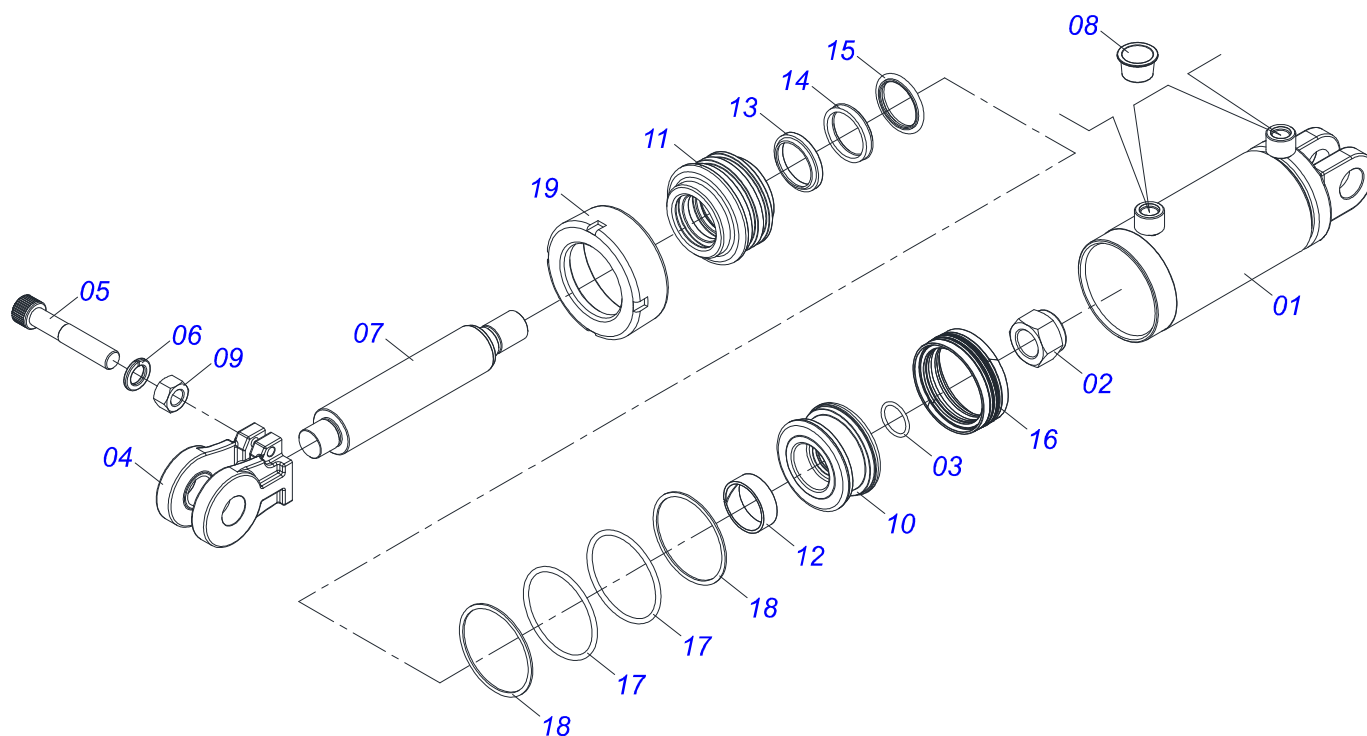
Item	Code	Description	See page	QT
01	0521061684	56,98 X 590,50 TURNBUCKLE		01
02	0521061685	114,30 X 500 CYLINDER CASE		01
03	0502012644	RING SUPPORT		01
04	0502011222	END CAP 4 . 1/2"		01
05	0503010002	1800 GREASE FITTING		02
06	0503015715	SCRAPER SEALING		01
07	0503015642	U-CUP SEALING RUUB000970		01
08	0503015641	WEAR RING		00
09	0503011892	O' RING, 2-346 N 3006-9B		01
10	0503011893	BACK-UP RING, 8-346		01
11	0503030384	CON PLUG N-001		02
12	0503015640	SEALING SELEMASTER		01
13	0561016578	PISTON BODY		01
14	0581015283	BODY		01
15	0503819100	SCREW		01
16	0511034304	HYDRAULIC CYLINDER REPAIR KIT (0521051832)		01



ASSY VALVE

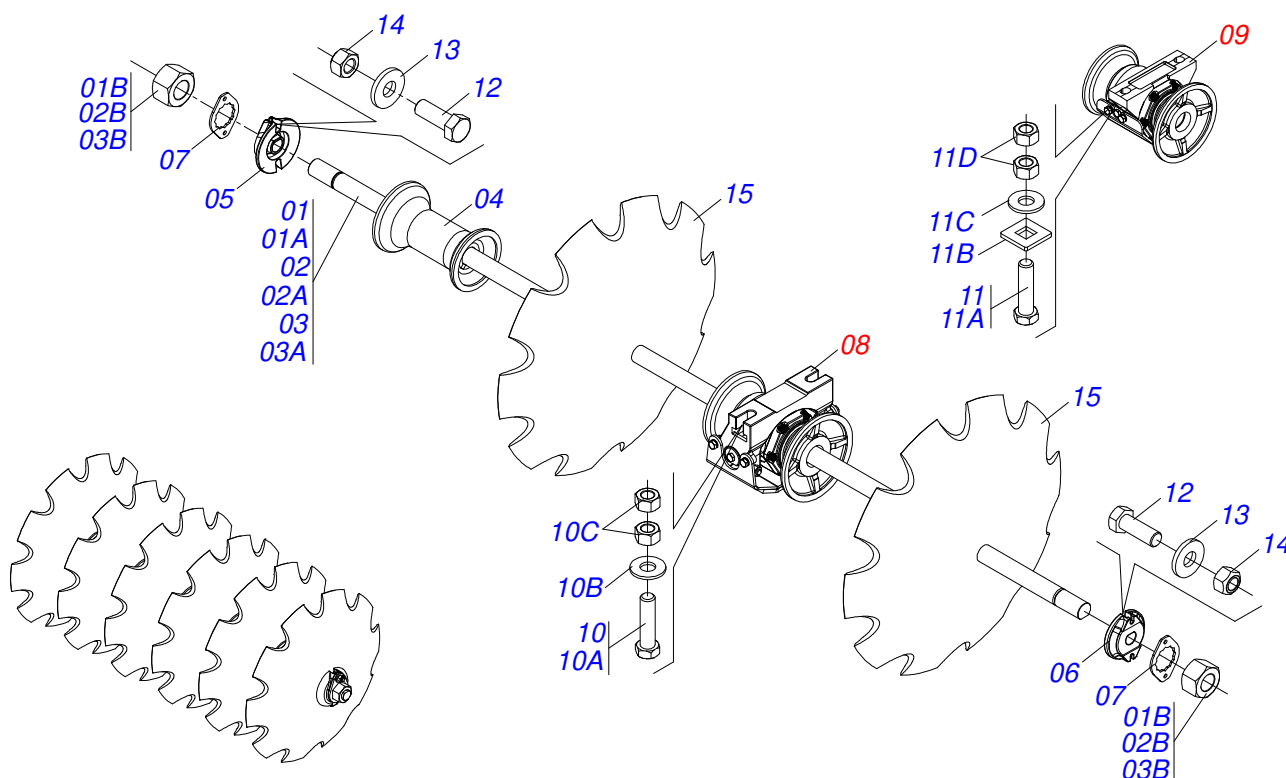


Item	Code	Description	See page	QT
01	0581011745	VALVE SUPPORT		01
02	0503010919	DISCHARGE VALVE		01
03	0503011334	BOLT 3/8" UNC X 3/4" CS G.5 ZN		02
04	0503010025	3/8 SPRING WASHER		02
05	0503010190	2-114 N 3006-9B O'RING		04
06	0501010617	NIPLE 3/4" NF X 3/4" NF HEX. 7/8" X 44		04



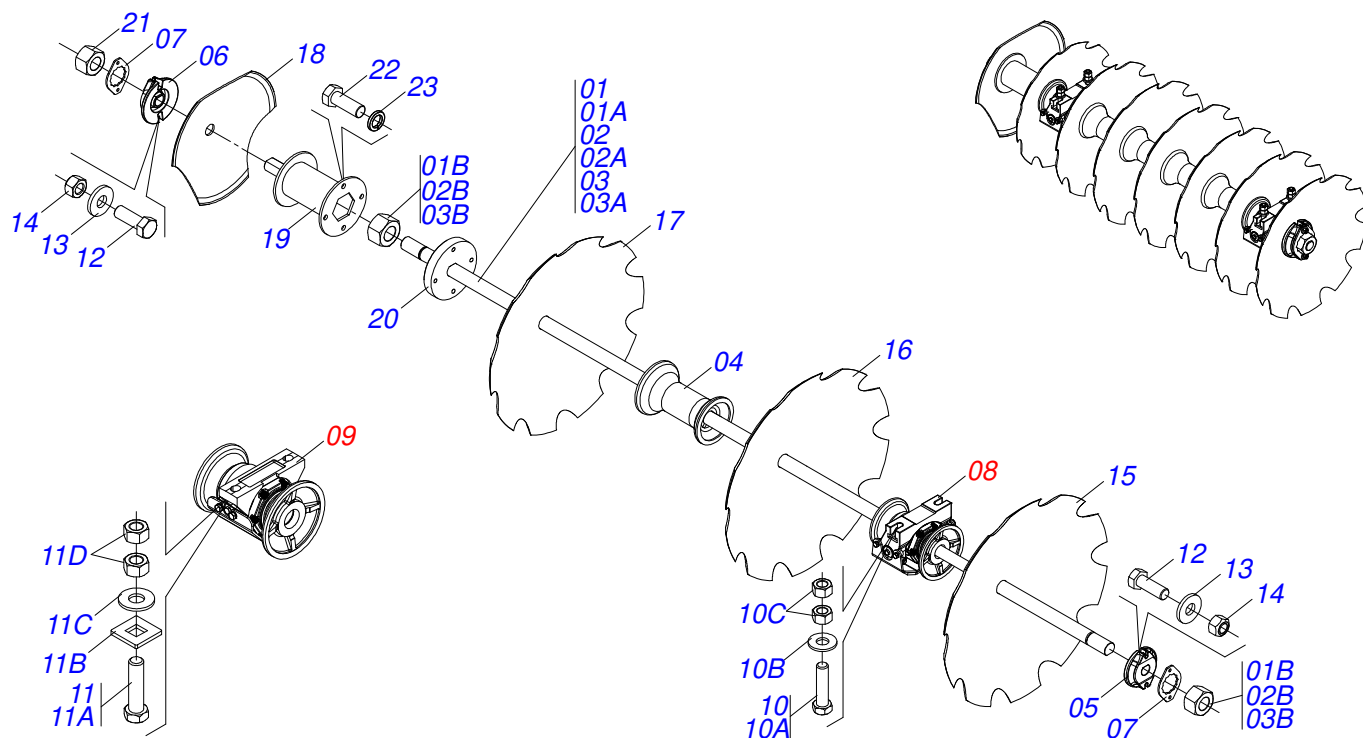
Item	Code	Description	See page	QT
01	0521066575	101,60 X 298 CYLINDER CASE		01
02	0503010817	SELF LOCKING NUT 1.1/4 UNF ALTA G.5 ZN		01
03	0503018029	O'RING 2-217 N 3006 90B		01
04	0502040747	32.54 CLEVIS CLAMP		01
05	0503011094	BOLT 3/8" UNC X 2" C C S I 12.9		01
06	0503011443	SPRING WASHER 3/8"		01
07	0581010749	50,80 X 294 TURNBUCKLE		01
08	0503030384	CON PLUG N-001		02
09	0503010026	3/8" NUT		01
10	0502012820	2" X 4" PISTON		01
11	0502012821	2" X 4" RING SUPPORT		01
12	0503018025	RING GUIDE W2-2250-750		01
13	0503010039	D-2000 SCRAPER RING		01
14	0503018026	GASKET 1870-2000-375 B POLYMAX		01
15	0503018024	RING BS OD050805200171D-BR		01
16	0503015633	SELEMASTER SEALING		01
17	0503010338	2-342 N 3006-9B O'RING		02
18	0503011061	8-342 BACK-UP RING		02
19	0502012822	END CAP 4"		01

FRONT DISCS SECTION



Item	Code	Description	See page	028	032	036	040	044	048
01	0501059155	2-1/8" X 2020 AXLE WITH NUTS		002	000	000	002	000	000
01A	0561013277	2-1/8" X 2020 AXLE		002	000	000	002	000	000
01B	0502040063	2-1/8" X 54 99 NUT		004	000	000	004	000	000
02	0511050665	2-1/8" X 1424 AXLE WITH NUTS		000	002	000	000	002	000
02A	0561015983	2-1/8" X 1424 AXLE		000	002	000	000	002	000
02B	0502040063	2-1/8" X 54 99 NUT		000	004	000	000	004	000
03	0501059852	2-1/8 X 1722 AXLE WITH NUTS		000	001	003	001	002	004
03A	0561015943	2-1/8" X 1722 AXLE		000	001	003	001	002	004
03B	0502040063	2-1/8" X 54 99 NUT		000	002	006	002	004	004
04	0502011405	292 W/H 2.1/8 SPACER		008	007	009	011	010	012
05	0502010595	2-1/8" INNER AXLE WASHER		002	003	003	003	004	004
06	0502010594	2-1/8" EXTERNAL AXLE WASHER		002	003	003	003	004	004
07	0541010368	NUT LOCK		004	006	006	006	008	008
08	0521046379	AGRICULTURAL BEARING PROTECTIVE SUPPORT	16	004	006	006	006	008	008
09	0511047876	AGRICULTURAL BEARING	17	004	000	006	000	000	000
10	0521047558	ASSY SCREW 7/8 X 4 OSCILLATING BEARING		008	012	012	012	016	016
10A	0503013310	7/8 X 4 BOLT		008	012	012	012	016	016
10B	0561013107	FLAT WASHER		008	012	012	012	016	016
10C	0503010417	7/8" NUT		016	024	024	024	032	000
11	0511046308	7/8" NC X 4.1/2" BOLT ASSY		008	000	012	000	000	000
11A	0503012460	7/8" X 4-1/2" BOLT		008	000	012	000	000	000
11B	0521066938	BEARING SUPPORT		008	000	012	000	000	000
11C	0561013107	FLAT WASHER		008	000	012	000	000	000
11D	0503010417	7/8" NUT		016	000	024	000	000	000
12	0503010232	5/8" X 1.3/4" BOLT		008	012	012	012	016	016
13	0501012140	FLAT WASHER 16,50 X 40 X 4,00 ZN		008	012	012	012	016	016
14	0503012412	5/8" UNC SELF LOCKING NUT		008	012	012	012	016	016
15	0602044238	32" X 7,50 NOTCHED DISC BLADE		014	016	018	020	022	022
15.	0602044153	DR 32" X 9,00 C125AF02FR2.3/16 10REC TATU		014	016	018	020	022	024

REAR DISC SECTION



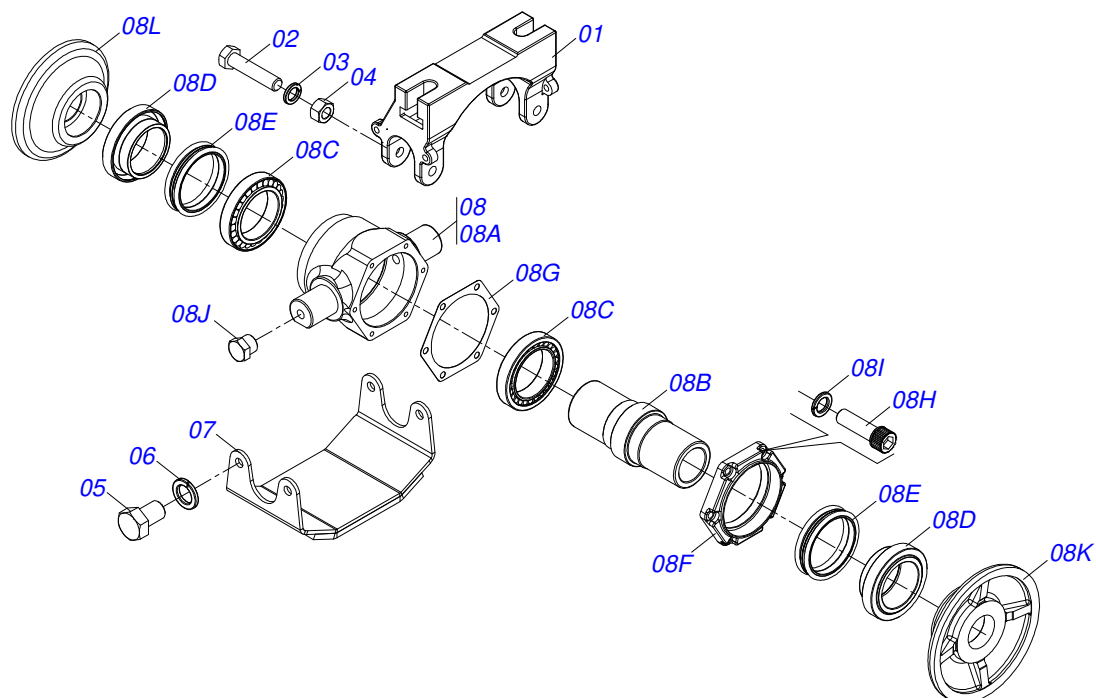
Item	Code	Description	See page	028	032	036	040	044	048
01	0501059155	2-1/8" X 2020 AXLE WITH NUTS		002	000	000	002	000	000
01A	0561013277	2-1/8" X 2020 AXLE		002	000	000	002	000	000
01B	0502040063	2-1/8" X 54 99 NUT		004	000	000	004	000	000
02	0511050665	2-1/8" X 1424 AXLE WITH NUTS		000	002	000	000	002	000
02A	0561015983	2-1/8" X 1424 AXLE		000	002	000	000	002	000
02B	0502040063	2-1/8" X 54 99 NUT		000	004	000	000	004	000
03	0501059852	2-1/8 X 1722 AXLE WITH NUTS		000	001	003	001	002	004
03A	0561015943	2-1/8" X 1722 AXLE		000	001	003	001	002	004
03B	0502040063	2-1/8" X 54 99 NUT		000	002	006	002	004	004
04	0502011405	292 W/H 2.1/8 SPACER		008	007	009	011	010	012
05	0502010595	2-1/8" INNER AXLE WASHER		002	003	003	003	004	004
06	0502010594	2-1/8" EXTERNAL AXLE WASHER		002	003	003	003	004	004
07	0541010368	NUT LOCK		004	006	006	006	008	008
08	0521046379	AGRICULTURAL BEARING PROTECTIVE SUPPORT	16	004	006	006	006	008	008
09	0511047876	AGRICULTURAL BEARING	17	004	000	006	000	000	000
10	0521047558	ASSY SCREW 7/8 X 4 OSCILLATING BEARING		008	012	012	012	016	016
10A	0503013310	7/8 X 4 BOLT		008	012	012	012	016	016
10B	0561013107	FLAT WASHER		008	012	012	012	016	016
10C	0503010417	7/8" NUT		016	024	024	024	032	000
11	0511046308	7/8" NC X 4.1/2" BOLT ASSY		008	000	012	000	000	000
11A	0503012460	7/8" X 4-1/2" BOLT		008	000	012	000	000	000
11B	0521066938	BEARING SUPPORT		008	000	012	000	000	000
11C	0561013107	FLAT WASHER		008	000	012	000	000	000
11D	0503010417	7/8" NUT		016	000	024	000	000	000
12	0503010232	5/8" X 1.3/4" BOLT		008	012	012	012	016	016
13	0501012140	FLAT WASHER 16,50 X 40 X 4,00 ZN		008	012	012	012	016	016
14	0503012412	5/8" UNC SELF LOCKING NUT		008	012	012	012	016	016
15	0602044238	32" X 7,50 NOTCHED DISC BLADE		012	014	016	018	020	022
15.	0602044153	DR 32" X 9,00 C125AF02FR2.3/16 10REC TATU		012	014	018	018	020	022
16	0602040147	DR 30 X 7,5 C84AF02FR2.3/16 D066 10REC		001	000	000	000	001	001



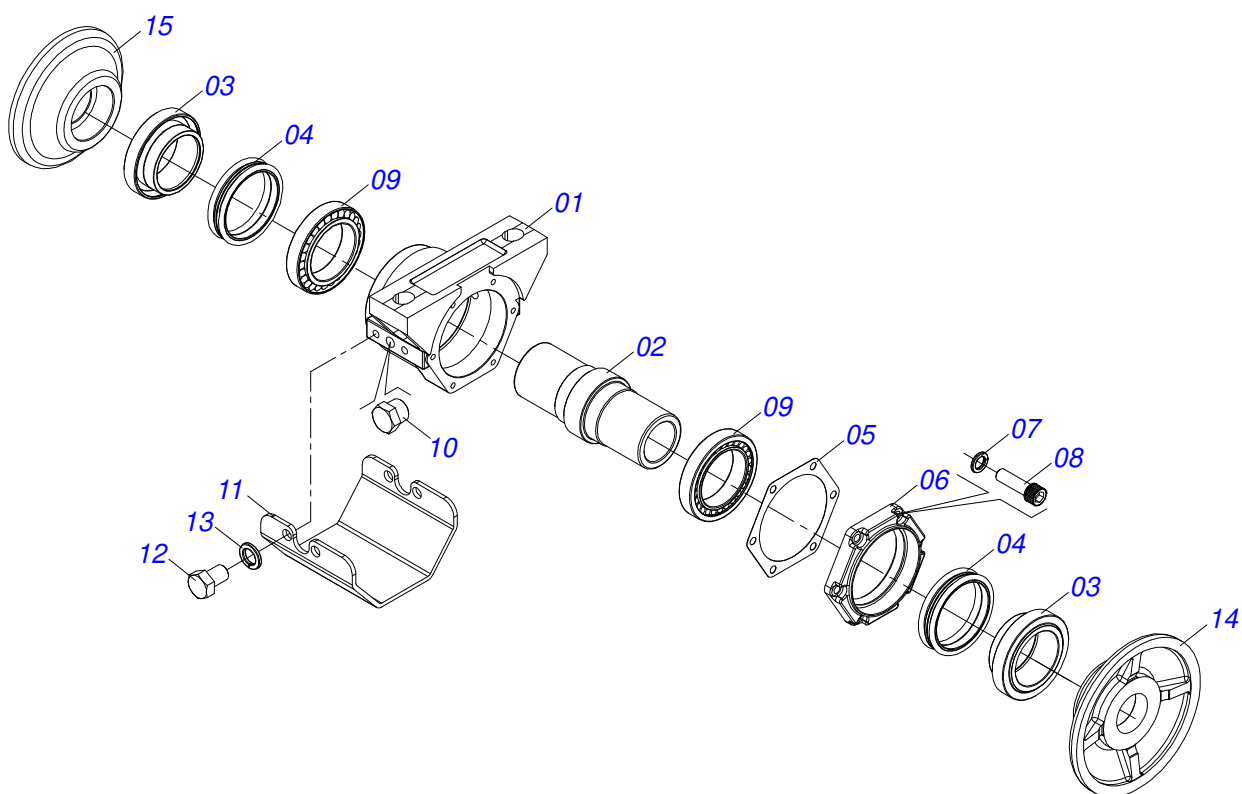
REAR DISC SECTION

0909094252

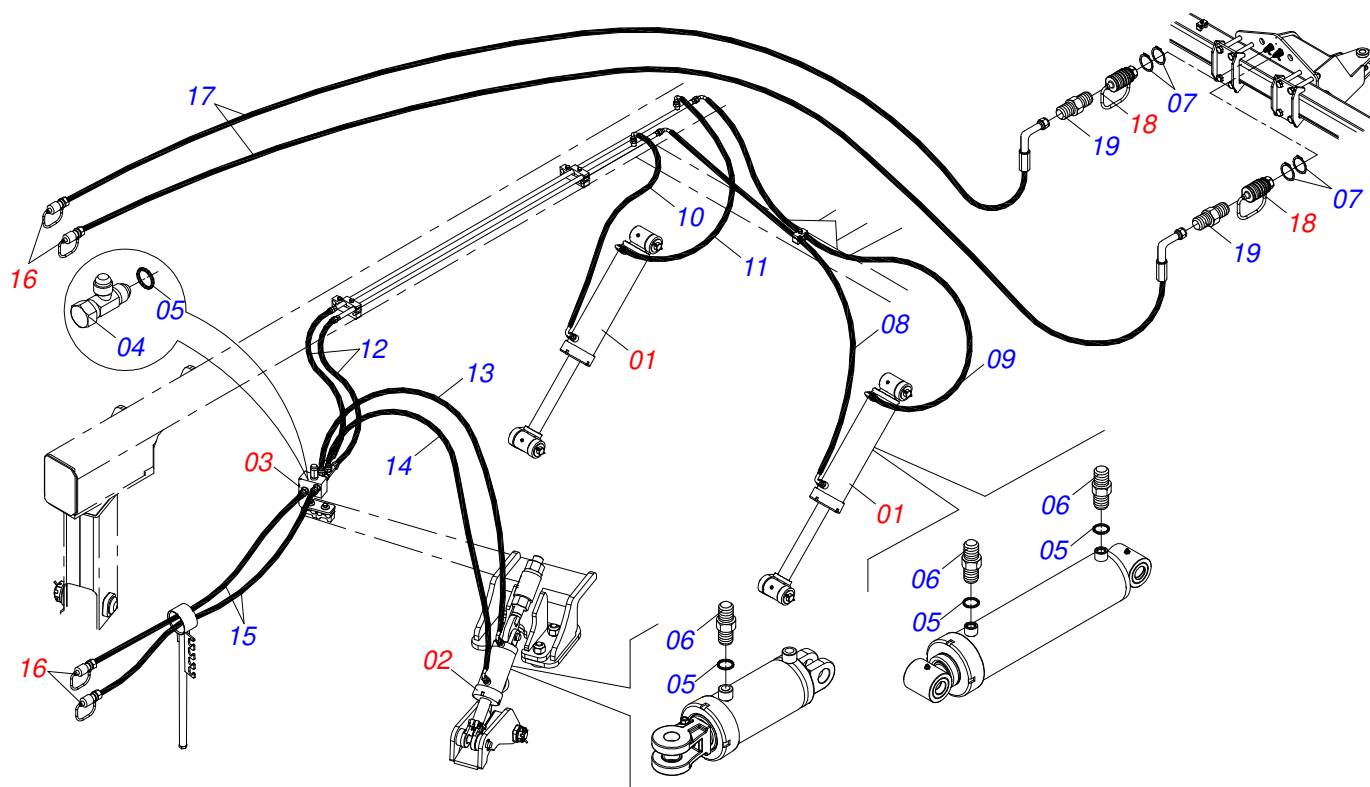
Item	Code	Description	See page	028	032	036	040	044	048
16.	0602040159	DR 30 X 9 C120AF02FR2.3/16 D066 10REC		001	001	001	001	000	001
17	0602037262	DR 28 X 6 C89AF02FR2.3/16" D066 10REC		001	000	000	000	001	001
17.	0602037221	DR 28 X 9 C108AF02FR2.3/16 D066 10REC		001	001	001	001	000	001
18	0602033350	26" X 7,5 NOTCHED DISC BLADE		001	000	001	000	001	000
18.	0602033366	DR 26 X 9 C90AF02FR2.3/16 D066 03REC		001	001	001	001	000	001
19	0521061008	FURROW FILLE 2.1/8" SPACER		001	001	001	001	001	001
20	0561014077	2-1/8 EXTERNAL AXLE LOCK		001	001	001	001	001	001
21	0502040063	2-1/8" X 54 99 NUT		001	001	001	001	001	001
22	0501010098	BOLT 3/4" UNC X 2 C S G.5 ZN		004	004	004	004	004	004
23	0503010023	3/4" SPRING WASHER		004	004	004	004	004	004



Item	Code	Description	See page	QT
01	0502012860	BEARING SUPPORT		01
02	0501011543	5/8" X 4" BOLT		02
03	0503010027	5/8 SPRING WASHER		02
04	0503010013	5/8" UNC G.5 ZN HEX NUT		02
05	0503011401	1/2" X 3/4" BOLT		04
06	0503010019	1/2" SPRING WASHER		04
07	0521067635	COVER PROTECTION		01
08	0511059189	BEARING		01
08A	0502012859	BEARING BOX		01
08B	0502040810	SHAFT FOR BEARING		01
08C	0503013966	ROLLER BEARING		02
08D	0502040198	SEAL RETAINER		02
08E	0503030028	JB-257 SEAL		02
08F	0502012481	BOX COVER		01
08G	0503032999	JOINT		01
08H	0503010175	3/8" X 1-1/4" BOLT		06
08I	0503011443	SPRING WASHER 3/8"		06
08J	0503010856	OIL PLUG R 3/8 BSPT		02
08K	0581012051	EXTERNAL DISC		01
08L	0581012052	DICS INTERNAL SUPPORT		01
08M	3402301247	MINERAL OIL SAE 140		00

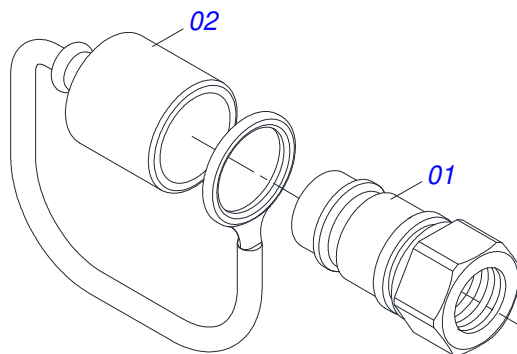


Item	Code	Description	See page	QT
01	0502012482	HOUSING BEARING		01
02	0502040810	SHAFT FOR BEARING		01
03	0502040198	SEAL RETAINER		02
04	0503030028	JB-257 SEAL		02
05	0503032999	JOINT		03
06	0502012481	BOX COVER		01
07	0503011443	SPRING WASHER 3/8"		06
08	0503010175	3/8" X 1-1/4" BOLT		06
09	0503010107	27687/27620 BEARING		02
10	0503010856	OIL PLUG R 3/8 BSPT		02
11	0551017124	PROTECTION COVER		01
12	0503011401	1/2" X 3/4" BOLT		04
13	0503010019	1/2" SPRING WASHER		04
14	0581012051	EXTERNAL DISC		01
15	0581012052	DISCS INTERNAL SUPPORT		01



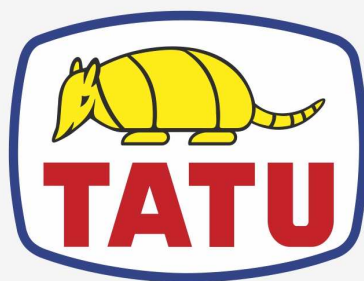
Item	Code	Description	See page	QT
01	0521051832	HYDRAULIC CYLINDER 53,98 X 114,30 X 654 X 346	11	02
02	0521046001	HYDRAULIC CILINDER 50,80 X 101,60 X 410 X 107	13	01
03	0511059196	ASSY VALVE	12	01
04	0503011968	NUT 3/4" 8R6X-S T ADAPTER WITH SWIVEL		02
05	0503010190	2-114 N 3006-9B O'RING		06
06	0501010617	NIPL 3/4" NF X 3/4" NF HEX. 7/8" X 44		04
07	0503010217	501040 CLAMPING RING (FOR AXLE)		04
08	0501080370	TC-TC HOSE ASSY		01
09	0501080644	3/8" X 78.7" TC-TC HOSE ASSY		01
10	0501080065	3/8" X 47" TC-TC HOSE		01
11	0501082058	3/8" X 31.5" TC-TC HOSE		01
12	0501080106	3/8" X 31" TR-TR HOSE		02
13	0501080302	3/8" X 55" TR-TC HOSE		01
14	0501080436	3/8" X 62" TR-TC HOSE		01
15	0501080205	3/8" X 216" TR-TM HOSE		02
16	0501053834	MALE QUICK COUPLER	19	04
17	0501081322	3/8" X 452.7" TC-TM HOSE		02
18	0501053835	FEMALE QUICK COUPLER	6	02
19	0561014252	3/4" UNF X 1" NIPPLE WITH REDUCTION		02





Item	Code	Description	See page	QT
01	0503011627	MALE QUICK COUPLER AGR 1/2 NPT		01
02	0503011882	MALE QUICK COUPLER CAP		01





**MARCHESAN**

**Technical Publications | Elaboration and Revision**

LEONARDO JOSÉ DA SILVA SOUZA

[www.marchesan.com.br](http://www.marchesan.com.br)

