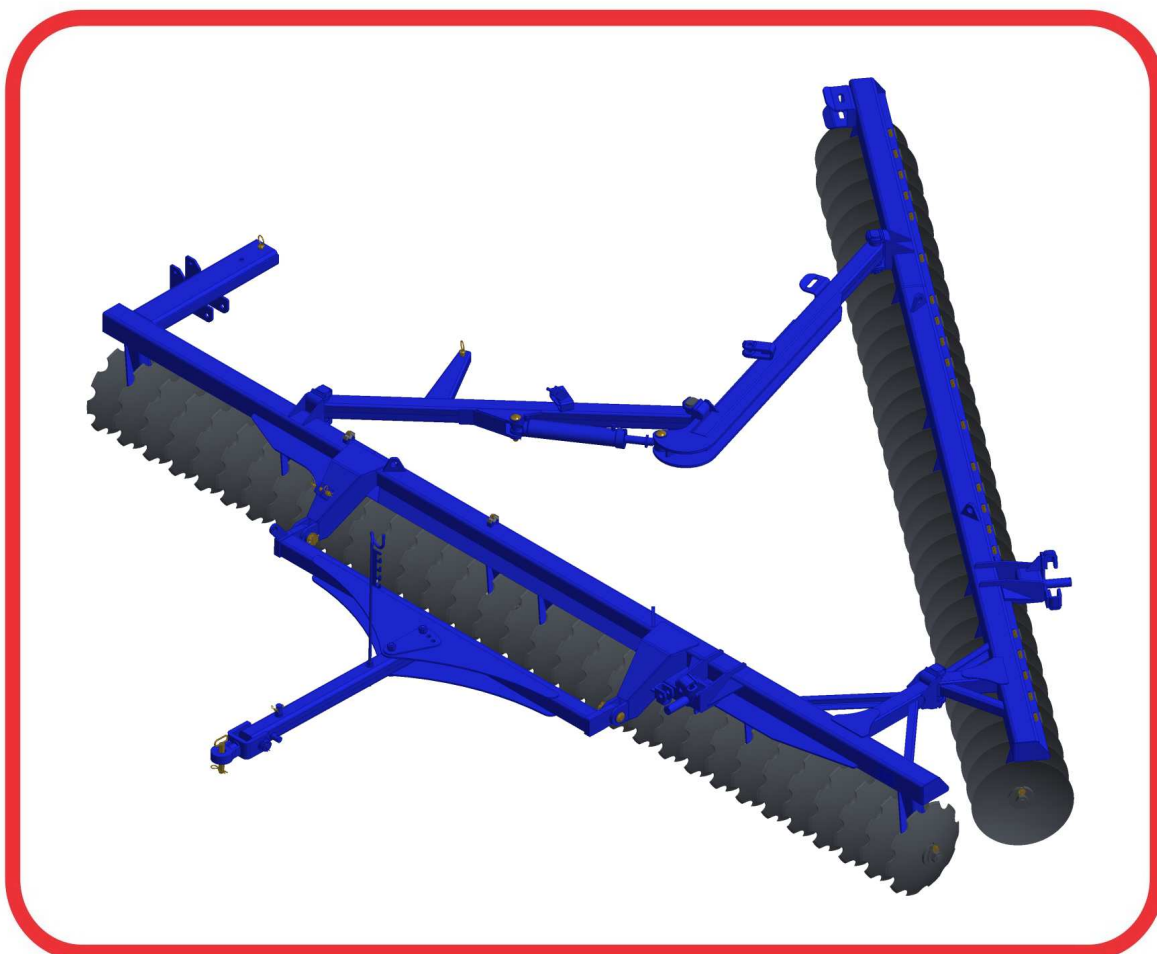


# **PARTS CATALOG**

## **HINGE TYPE OFFSET DISK HARROW**

**GN 32D - PA - AXIS 1.1/2"**

**Code: 0501092257**



**Series: S-0404**

**Rev.: 00**

**Date Rev.: JUNHO/2018**

**ORIGINAL PARTS  
TATU**



# PRODUCTS

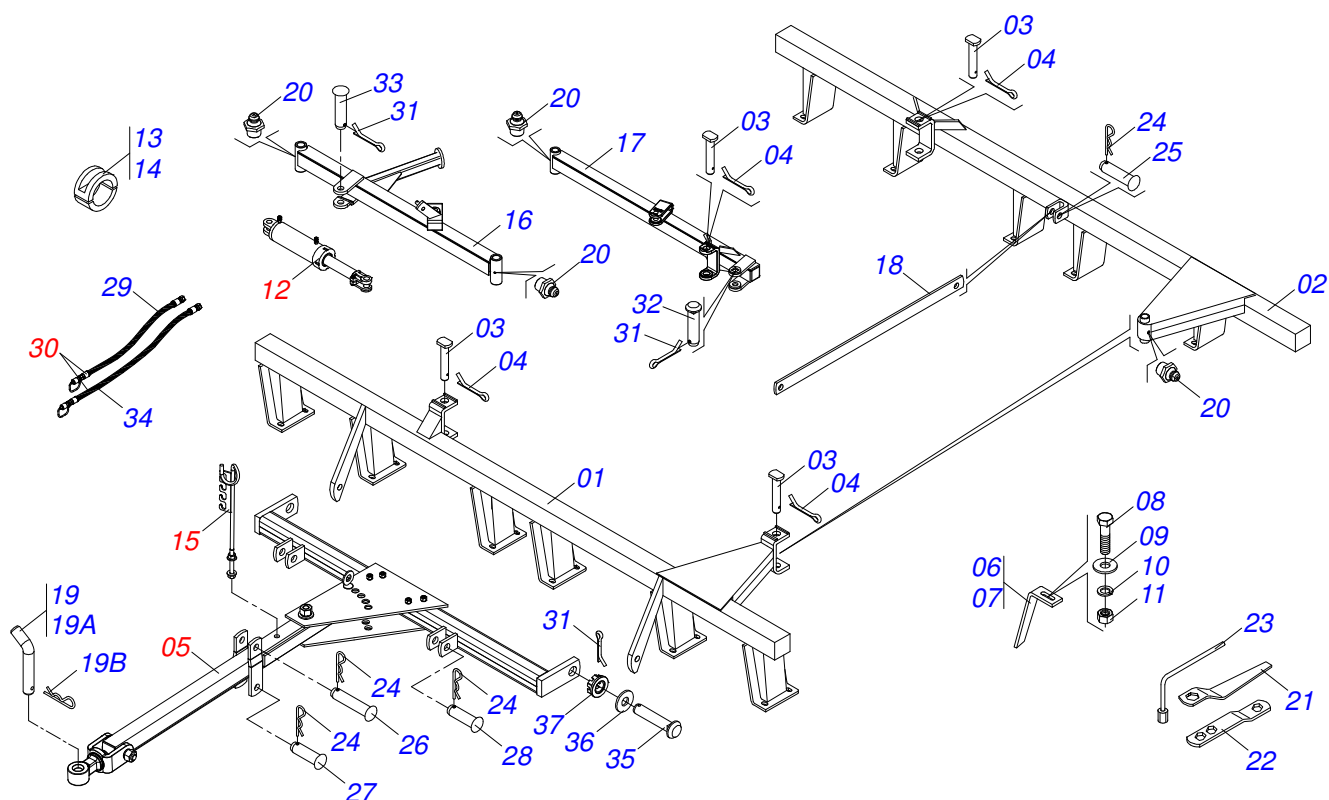
Code	Description
0102110164	GN 32X22X3,50 DM PA E1.1/2 S-0404

## ATTENTION: **IMPORTANT**

MARCHESAN S/A RESERVES THE RIGHT AT ANY TIME TO MAKE IMPROVEMENTS IN THE DESIGN, MATERIAL OR SPECIFICATIONS OF MACHINERY, EQUIPMENT OR PARTS WITHOUT THEREBY BECOMING LIABLE TO MAKE SIMILAR CHANGES IN MACHINERY, EQUIPMENT OR PARTS PREVIOUSLY SOLD.

# INDEX

0909094240	GN 32D - PA - AXIS 1.1/2"	.....	1
0511042771	COMPLETE HEADER	.....	2
0511042770	HYDRAULIC CYLINDER	.....	3
0501040257	3/4 X 1200 HOSE HOLDER A	.....	4
0501053834	QUICK CONECTION (MALE) 1/2	.....	5
0909094241	DISC SECTION 32D	.....	6
0501043028	BEARING ASSY	.....	7



Item	Code	Description	QT
01	0501069806	FRAME FRONT	01
02	0501069969	FRAME REAR	01
03	0521010644	1.5" X 8.4" COUPLING SHAFT	04
04	0503010534	3/8 X 2-1/2 COTTERPIN	04
05	0511042771	COMPLETE HEADER	01
06	0501063963	FRONT SCRAPER	11
07	0501063962	REAR SCRAPER	11
08	0503011082	C1/2" X 1.3/4" BOLT	44
09	0511017302	FLAT WASHER	44
10	0503010019	1/2" SPRING WASHER	44
11	0503010060	1/2" NUT	44
12	0511042770	HYDRAULIC CYLINDER	01
13	0501047895	ROD STOP	02
14	0501047885	ROD STOP	06
15	0501040257	3/4 X 1200 HOSE HOLDER A	01
16	0511065687	FRONT STABILIZER BAR	01
17	0511065686	REAR STABILIZER BAR	01
18	0501018945	45" ATTACHMENT BAR	01
19	0501040343	DDRAWBOLT ASSY	01
19A	0501010523	DRAWBOLT	01
19B	0503010571	1/4" X 1.1/2 COTTERPIN	01
20	0503010002	1800 GREASE FITTING	04
21	0501011432	1-1/2" AND 1-5/8 GANG BOLT WRENCH	02
22	0511018451	5/8" X 3/4" X 1" UNIVERSAL	01
23	0501068273	5/8" WRENCH	01
24	0503031035	HAIR PIN	05
25	0521010573	0.9" X 3.1" COUPLING SHAFT	01
26	0521010578	COUPLING SHAFT	01
27	0521010579	COUPLING SHAFT	01
28	0521010595	1.1" X 4.3" COUPLING SHAFT	01
29	0501080614	3/8 X 4400 TR-TM HOSE ASSY	01
30	0501053834	QUICK CONECTION (MALE) 1/2	02
31	0503010010	1/4" X 2.1/2" COTTERPIN	04



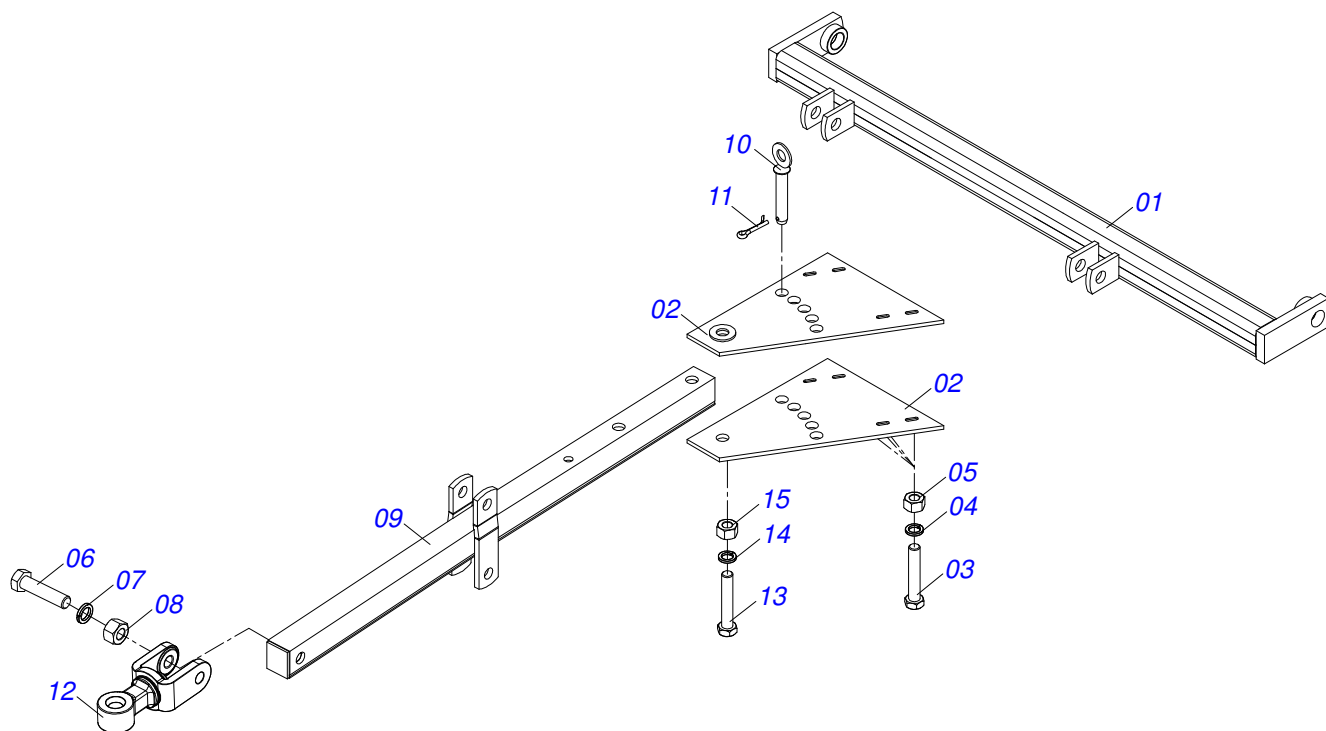
GN 32D - PA - AXIS 1.1/2"

Page 1

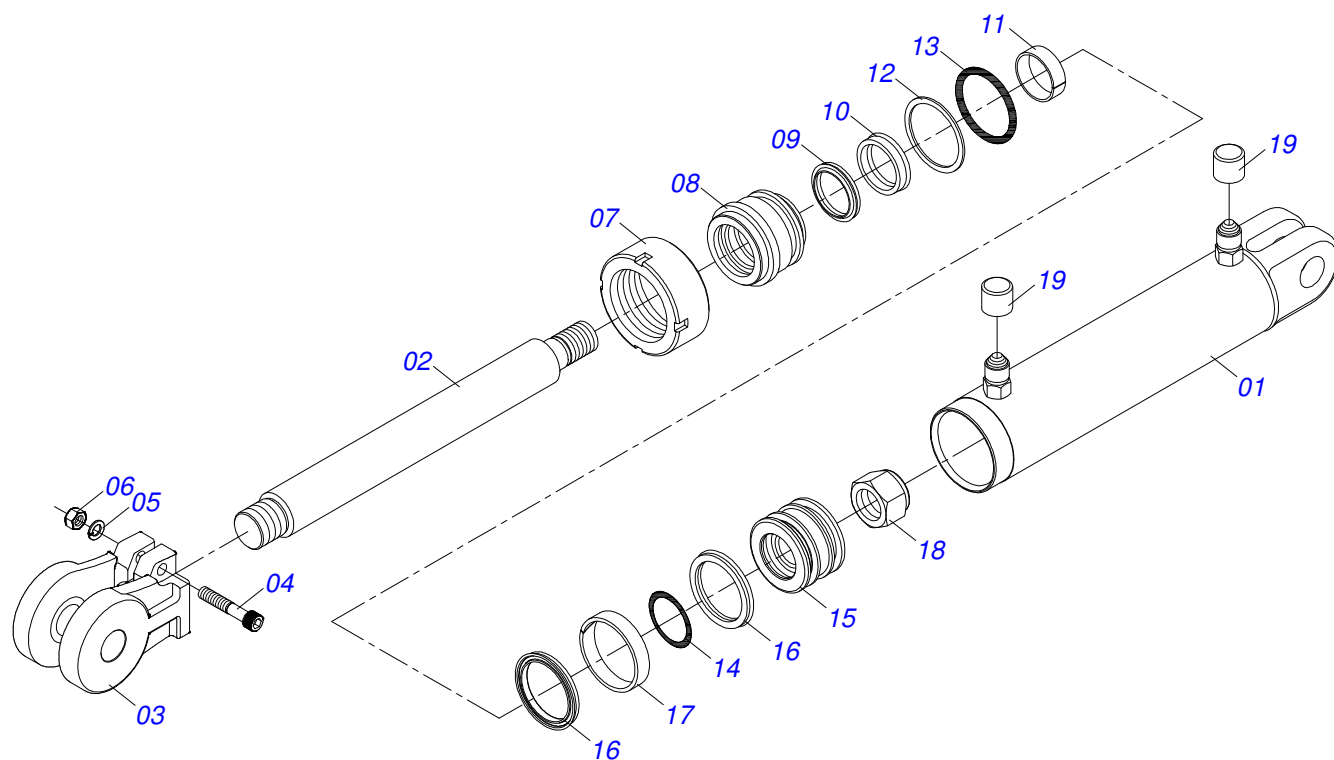
GN 32D - PA - AXIS 1.1/2"

0909094240

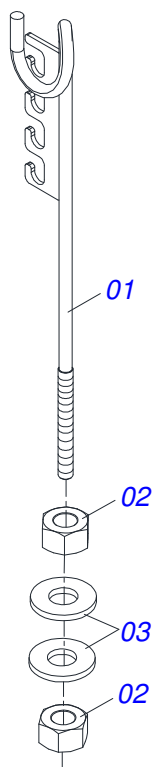
Item	Code	Description	QT
32	0521013077	1.2" X 5.7" PIVOT SHAFT	01
33	0521010544	1.2" X 4.9" COUPLING SHAFT	01
34	0501080387	HOSE 3/8 X 4800 TR-TM	01
35	0521017538	11-1/2" X 5" COUPLING SHAFT	02
36	0511019880	FLAT WASHER	02
37	0503010817	1-1/4" SELF-ADJUSTING NUT	02



Item	Code	Description	QT
01	0511065684	HITCH BAR	01
02	0541012977	ADJUSTMENT PLATE	02
03	0503013185	3/4" X 5-1/2" BOLT	04
04	0503010023	SPRING WASHER	04
05	0503010014	3/4" NUT	04
06	0501010372	1" X 5-1/2" BOLT	01
07	0503011438	SPRING WASHER	01
08	0501010059	1.5/8 NUT	01
09	0511065685	BAR TRACTION	01
10	0501068993	0.9" X 5.5" COUPLING SHAFT	01
11	0503010571	1/4" X 1.1/2 COTTERPIN	01
12	0521061775	TRACTOR HITCH	01
13	0501010191	1" X 6" BOLT	01
14	0503011438	SPRING WASHER	01
15	0501010059	1.5/8 NUT	01

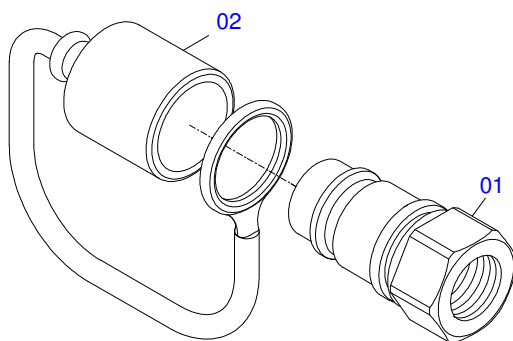


Item	Code	Description	QT
01	0511065683	85,72 X 509 CYLINDER CASE	01
02	0521010827	HYDRAULIC CYLINDER TURNBUCKLE	01
03	0502040747	FORK	01
04	0503011094	3/8" X 2" BOLT C C S I 12.9	01
05	0503010025	3/8 SPRING WASHER	01
06	0503010026	3/8" NUT	01
07	0502010993	DETACHABLE COVER	01
08	0502010781	RING SUPPORT	01
09	0503010761	D-1750 SCRAPER RING	01
10	0503010990	GASKET	01
11	0503010949	W2-2000-500 PK RING G.E	01
12	0503011060	8-336 BACK-UP RING	01
13	0503010976	2-336 N 3006-9B O'RING	01
14	0503010042	2-214 N 3006-9B O'RING	01
15	0502010843	1.8" X 3.4" PISTON	01
16	0503010170	PACKING 3120 2750	02
17	0503010948	W4-3346-590 PK RING G.E	01
18	0503010063	1" SELF-ALIGNING NUT	01
19	0503030385	PLUG	02

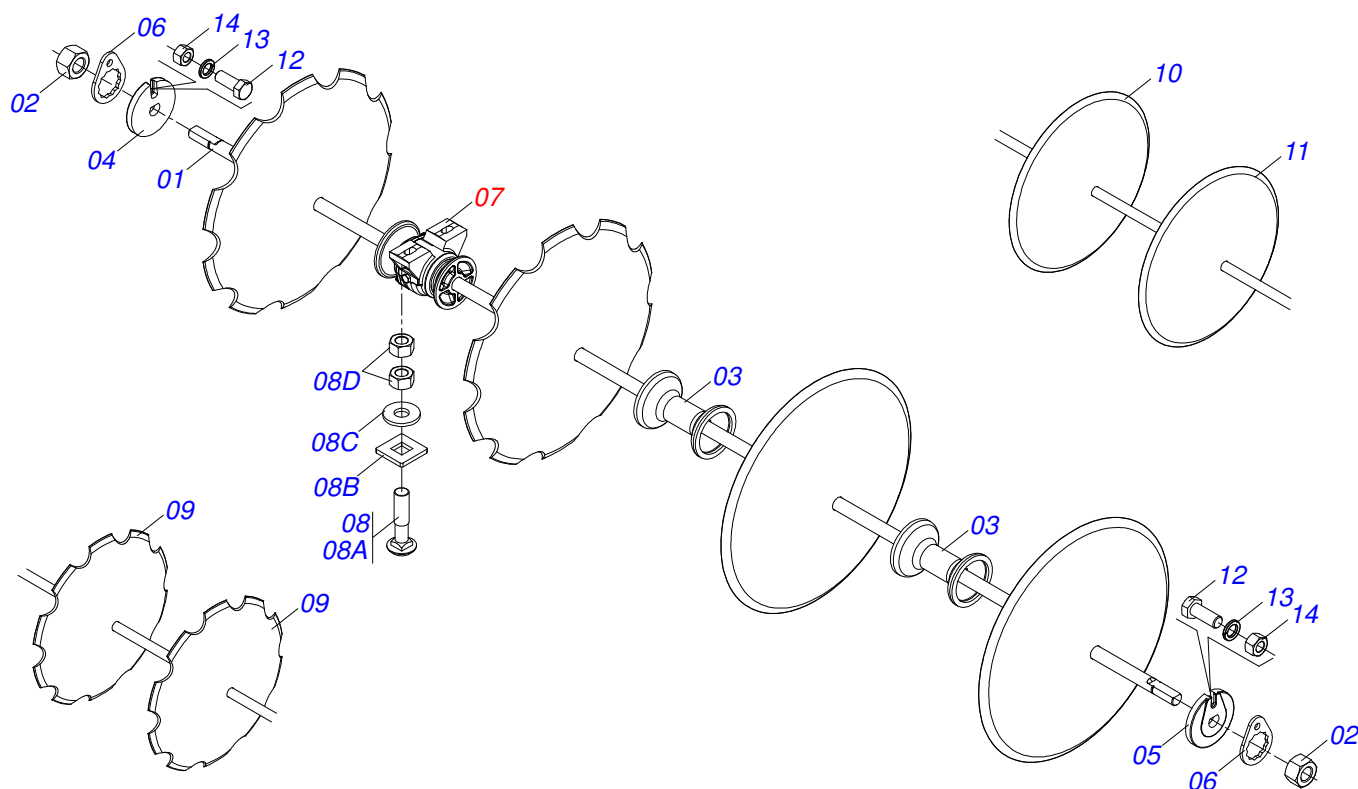


Item	Code	Description	QT
01	0511067334	HOSE SOPPORT ASSY	01
02	0503010014	3/4" NUT	02
03	0501010322	FLAT WASHER	02

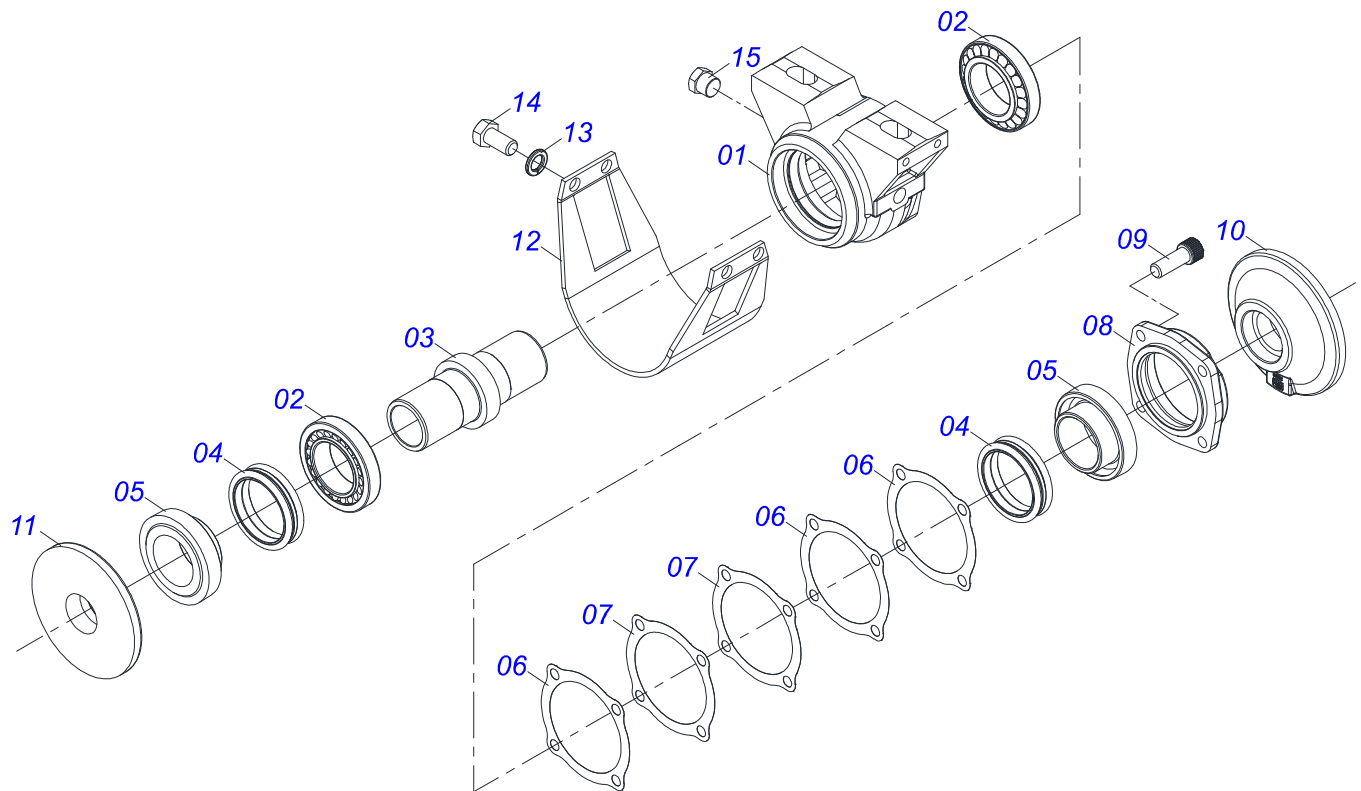




Item	Code	Description	QT
01	0503011627	QUICK CONNECTION (MALE) AGR 1/2 NPT	01
02	0503011882	QUICK CONNECTION COVER	01



Item	Code	Description	QT
01	0511012601	1.1/2" X 1505 AXLE	04
02	0501810110	NUT 1.1/2	08
03	0502010627	SPACER	20
04	0502010872	1-1/2" INNER AXLE WASHER	04
05	0502010871	1-1/2" EXTERNAL AXLE WASHER	04
06	0501018592	1.5/8" NUT LOCK	08
07	0501043028	BEARING ASSY	08
08	0501042160	5/8" X 76 BOLT ASSY	16
08A	0501011234	5/8" X 3" BOLT	16
08B	0501010947	5/8 NUT LOCK	16
08C	0501012140	FLAT WASHER	16
08D	0503010013	5/8" NUT	32
09	0602029422	DR22X3,5 C64AF02FR1.9/16 10R TATU	15
10	0601029419	DL22X3,5 C64AF02FR1.9/16 TATU	15
11	0601027302	DL20X3,5 C57AF02FR1.9/16 TATU	02
12	0503011267	5/8" X 1.1/2" BOLT	08
13	0503010027	SPRING WASHER	08
14	0503010013	5/8" NUT	08



Item	Code	Description	QT
01	0502010717	HOUSING DM	01
02	0503014283	BEARING	02
03	0502040443	AXLE	01
04	0503030026	SEAL LP JB-253	02
05	0502010716	DOOR SEAL WITH BUSH	02
06	0503030013	4.4" X 3.5" X 0.004" JOINT	03
07	0503030684	4.4" X 3.5" X 0.004" JOINT	02
08	0502020424	HOUSING CAP DM	01
09	0503010134	3/8" X 1" BOLT	04
10	0502010694	OUTER FLANGE	01
11	0502010715	INNER FLANGE	01
12	0511010829	BEARING GUARD	01
13	0503011443	SPRING WASHER	04
14	0503011334	3/8" X 3/4" BOLT	04
15	0503010856	OIL PLUG	02





**MARCHESAN IMPLEMENTOS E MÁQUINAS AGRÍCOLAS TATU S.A.**

AV. Marchesan, 1979 - Post office box, 131 - CEP 15994-900 - Matão - SP - Brazil

Phone +55 16.3382-8282

(FAX Parts) + 55 16.3382. 8297 - (Export) + 55 16.3382.1003

e.mail: [tatu@marchesan.com.br](mailto:tatu@marchesan.com.br) [www.marchesan.com.br](http://www.marchesan.com.br)

**Technical Publications: Elaboration**

ALESSANDRA PATRICIA KAWAHARA CARRILI

**Technical Publications: Revision**

ALESSANDRA PATRICIA KAWAHARA CARRILI

*Contact Catálogo:*

*E-mail = [jgaspari@marchesan.com.br](mailto:jgaspari@marchesan.com.br)*

**ORIGINAL PARTS  
TATU**

