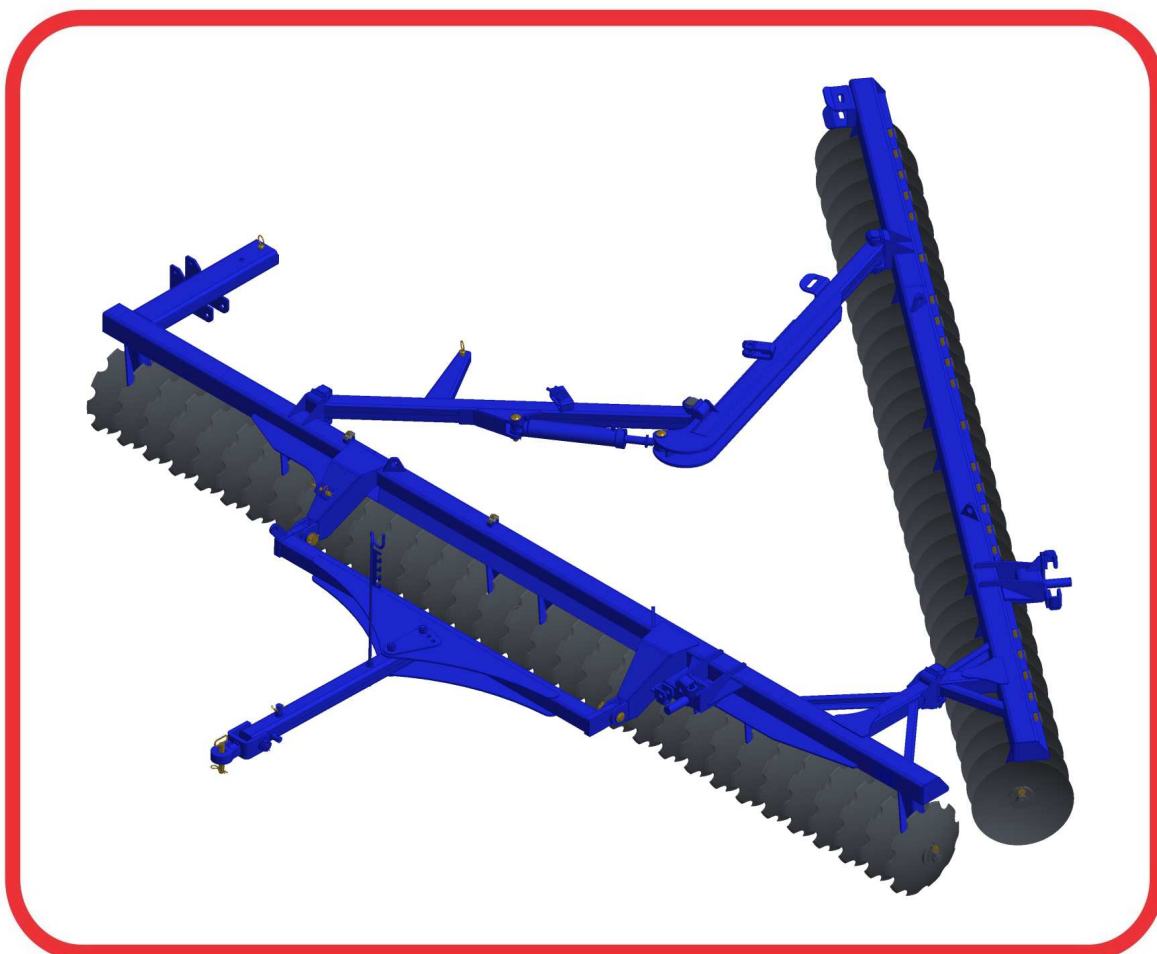


PARTS CATALOG

HINGE TYPE OFFSET DISK HARROW

GN 64/68/72/76/80/84D - PA

Code: 0501092255



Series: S-0813

Rev.: 00

Date Rev.: JUNHO/2018

**ORIGINAL PARTS
TATU**



PRODUCTS

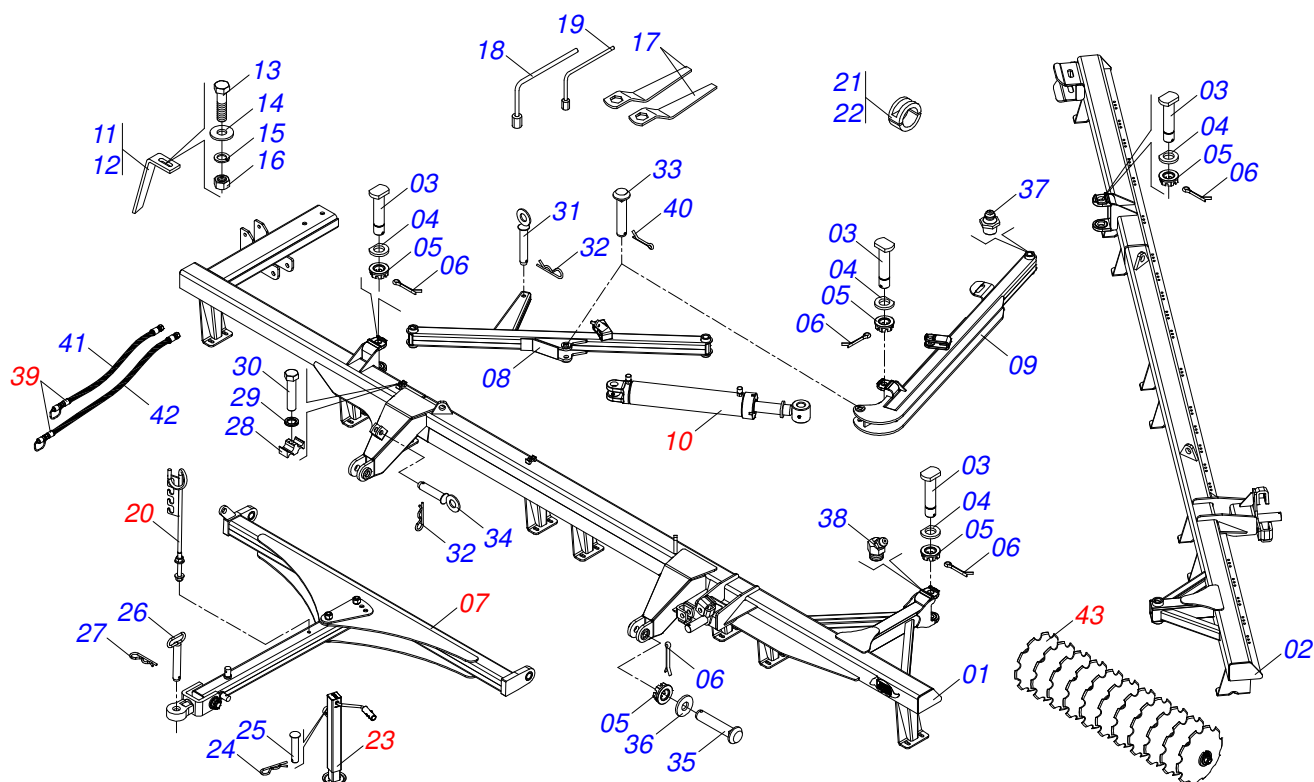
Code	Description
0102110292	GN 64 X 22 X 4,50 DM PA S-0813
0102110297	GN 68 X 22 X 4,50 DM PA S-0813
0102110298	GN 72 X 22 X 4,50 DM PA S-0813
0102110299	GN 76 X 22 X 4,50 DM PA S-0813
0102110300	GN 80 X 22 X 4,50 DM PA S-0813
0102110301	GN 84 X 22 X 4,50 DM PA S-0813

ATTENTION: **IMPORTANT**

MARCHESAN S/A RESERVES THE RIGHT AT ANY TIME TO MAKE IMPROVEMENTS IN THE DESIGN, MATERIAL OR SPECIFICATIONS OF MACHINERY, EQUIPMENT OR PARTS WITHOUT THEREBY BECOMING LIABLE TO MAKE SIMILAR CHANGES IN MACHINERY, EQUIPMENT OR PARTS PREVIOUSLY SOLD.

INDEX

0909094237	GN 64/68/72/76/80/84D - PA	1
0521042319	DRAWBAR ASSEMBLE	2
0511058459	HYDRAULIC CYLINDER	3
0501040257	3/4 X 1200 HOSE HOLDER A	4
0503062157	HEADER JACK	5
0501053834	QUICK CONECTION (MALE) 1/2	6
0909094238	DISC SECTION 64/68/72/76/80/84D	7
0501047055	BEARING	8

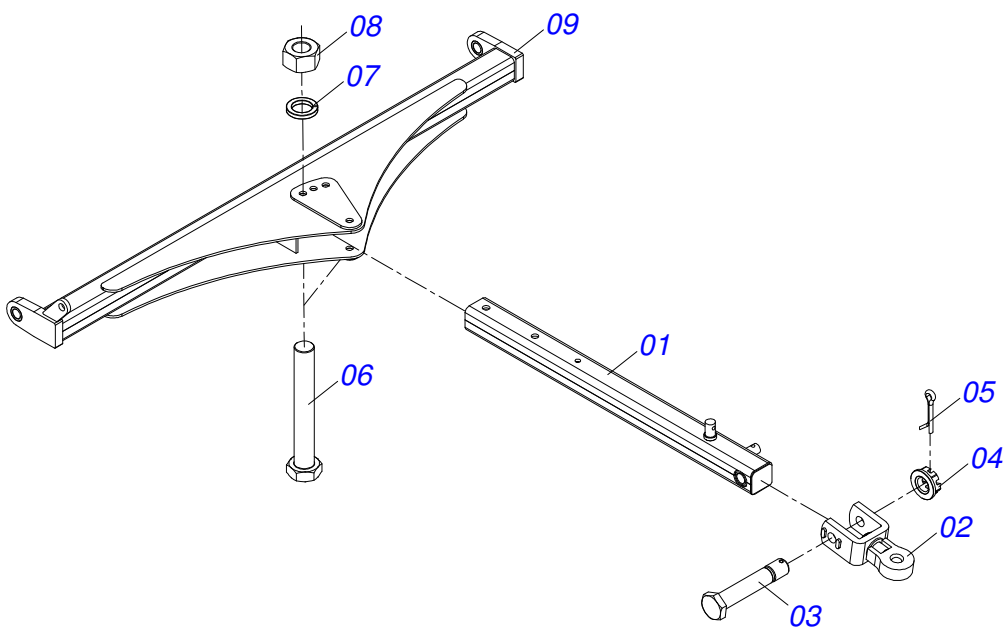


Item	Code	Description	064	068	072	076	080	084
01	0521064102	FRONT FRAME	001	000	000	000	000	000
01.	0521064104	FRONT FRAME	000	001	000	000	000	000
01..	0521064106	FRONT FRAME	000	000	001	000	000	000
01...	0521064108	FRONT FRAME	000	000	000	001	000	000
01....	0521064110	FRONT FRAME	000	000	000	000	001	000
01.....	0521064112	FRONT FRAME	000	000	000	000	000	001
02	0521064136	REAR FRAME	001	000	000	000	000	000
02.	0521064137	REAR FRAME	000	001	000	000	000	000
02..	0521064138	REAR FRAME	000	000	001	000	000	000
02...	0521064139	REAR FRAME	000	000	000	001	000	000
02....	0521064140	REAR FRAME	000	000	000	000	001	000
02.....	0521064141	REAR FRAME	000	000	000	000	000	001
03	0531019497	1.5" X 9.2" PIVOT SHAFT	003	003	003	003	003	003
04	0531019540	FLAT WASHER	003	003	003	003	003	003
05	0501011301	1.1/2 UNC 6FPP 2.5/16 NUT	003	003	003	003	003	003
06	0503010010	1/4" X 2.1/2" COTTERPIN	003	003	003	003	003	003
07	0521042319	DRAWBAR ASSEMBLE	001	001	001	001	001	001
08	0521061561	FRONT STABILIZER BAR	001	001	001	000	000	000
08.	0521064099	FRONT STABILIZER BAR	000	000	000	001	001	001
09	0521061558	REAR STABILIZER BAR	001	001	001	000	000	000
09.	0521064098	REAR STABILIZER BAR	000	000	000	001	001	001
10	0511058459	HYDRAULIC CYLINDER	001	001	001	001	001	001
11	0501063962	REAR SCRAPER	023	025	027	027	029	029
12	0501063963	FRONT SCRAPER	023	025	027	027	029	029
13	0503011082	C1/2" X 1.3/4" BOLT	092	100	114	114	116	116
14	0511017302	FLAT WASHER	092	100	114	114	116	116
15	0503010019	1/2" SPRING WASHER	092	100	114	114	116	116
16	0503010060	1/2" NUT	092	100	114	114	116	116
17	0501011432	1-1/2" AND 1-5/8 GANG BOLT WRENCH	002	002	002	002	002	002
18	0501061617	1" GANG BOLT WRENCH	001	001	001	001	001	001
19	0501068273	5/8" WRENCH	001	001	001	001	001	001
20	0501040257	3/4 X 1200 HOSE HOLDER A	001	001	001	001	001	001
21	0501047895	ROD STOP	006	006	006	006	006	006



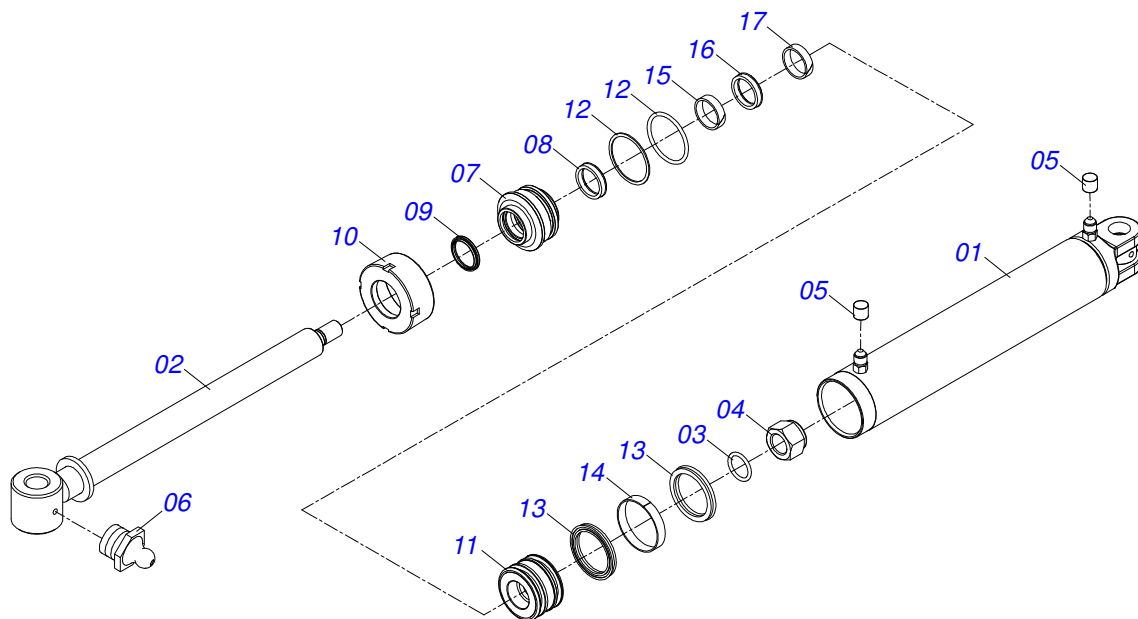
Item	Code	Description	064	068	072	076	080	084
22	0501047885	ROD STOP	004	004	004	004	004	004
23	0503062157	HEADER JACK	001	001	001	001	001	001
24	0503030168	HAIR PIN	001	001	001	001	001	001
25	0521010549	COUPLING SHAFT	001	001	001	001	001	001
26	0501069080	COUPLING SHAFT	001	001	001	001	001	001
27	0503031035	HAIR PIN	001	001	001	001	001	001
28	0502012702	BODY SUPPORT CLAMP	002	002	002	002	002	002
29	0503010180	7/16" SPRING WASHER	002	002	002	002	002	002
30	0503012555	7/16" X 2" BOLT	002	002	002	002	002	002
31	0501068992	0.9" X 4.5" COUPLING SHAFT	001	001	001	001	001	001
32	0503030012	HAIR PIN	002	002	002	002	002	002
33	0521013077	1.2" X 5.7" PIVOT SHAFT	002	002	002	002	002	002
34	0521064089	COUPLING SHAFT	001	001	001	001	001	001
35	0551013708	COUPLING SHAFT	002	002	002	002	002	002
36	0501012916	FLAT WASHER 38,50 X 66 X 4,75 ZN	002	002	002	002	002	002
37	0503010002	1800 GREASE FITTING	002	002	002	002	002	002
38	0503010003	1845 GREASE FITTING	001	001	001	001	001	001
39	0501053834	QUICK CONECTION (MALE) 1/2	002	002	002	002	002	002
40	0503010523	1/4" X 2" COTTERPIN	002	002	002	002	002	002
41	0501080778	3/8" X 256" TC-TM HOSE ASSY	001	001	001	000	000	000
41.	0501081360	TC-TM HOSE ASSY	000	000	000	001	001	001
42	0501080477	3/8" X 275" TC-TM HOSE ASSY	001	001	001	000	000	000
42.	0501080458	3/8" X 315" TC-TM HOSE ASSY	000	000	000	001	001	001
43	0909094238	DISC SECTION 64/68/72/76/80/84D	001	001	001	001	001	001

DRAWBAR ASSEMBLE

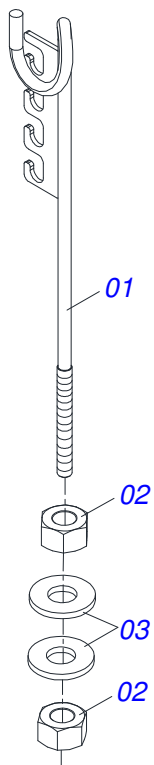


Item	Code	Description	QT
01	0501066715	DRAWBAR ASSY	01
02	0501062869	TRACTOR HITCH	01
03	0501017291	1-1/2" X 8.1" BOLT	01
04	0501011301	1.1/2 UNC 6FPP 2.5/16 NUT	01
05	0503010010	1/4" X 2.1/2" COTTERPIN	01
06	0501010334	1" X 7" BOLT	02
07	0503011438	SPRING WASHER	02
08	0501010059	1.5/8 NUT	02
09	0521064097	OFFSET BAR	01

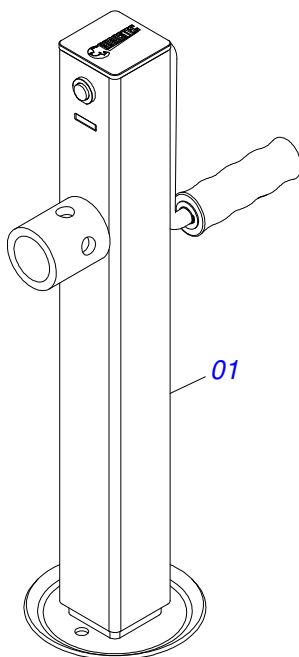
HYDRAULIC CYLINDER



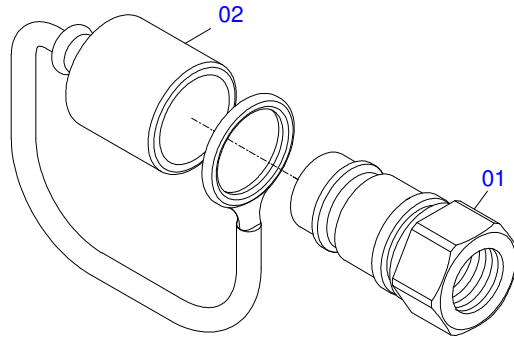
Item	Code	Description	QT
001	0521061064	85,72 X 510 CYLINDER CASE	01
002	0521067533	50,80 X 697 EXTENSOR	01
003	0503010042	2-214 N 3006-9B O-RING	01
004	0503010063	1" SELF-ALIGNING NUT	01
005	0503030385	PLUG	02
006	0503010002	1800 GREASE FITTING	02
007	0571019710	1.7" X 3.4" PISTON	01
008	0503017935	RING	01
009	0503018144	RING	01
010	0581013227	85,72 MOVEEL COVER	01
011	0581013228	50,80 X 85,72 SUPPORT RINGS	01
012	0503017940	8-337 BACK-UP RING	02
013	0503017939	2-337 N 3006-9B O' RING	02
014	0503010039	D-2000 SCRAPER RING	01
015	0503018026	1870-2000-375 B GASKET	01
016	0503018025	RING GUIDE	01
017	0503018024	RING BS	01



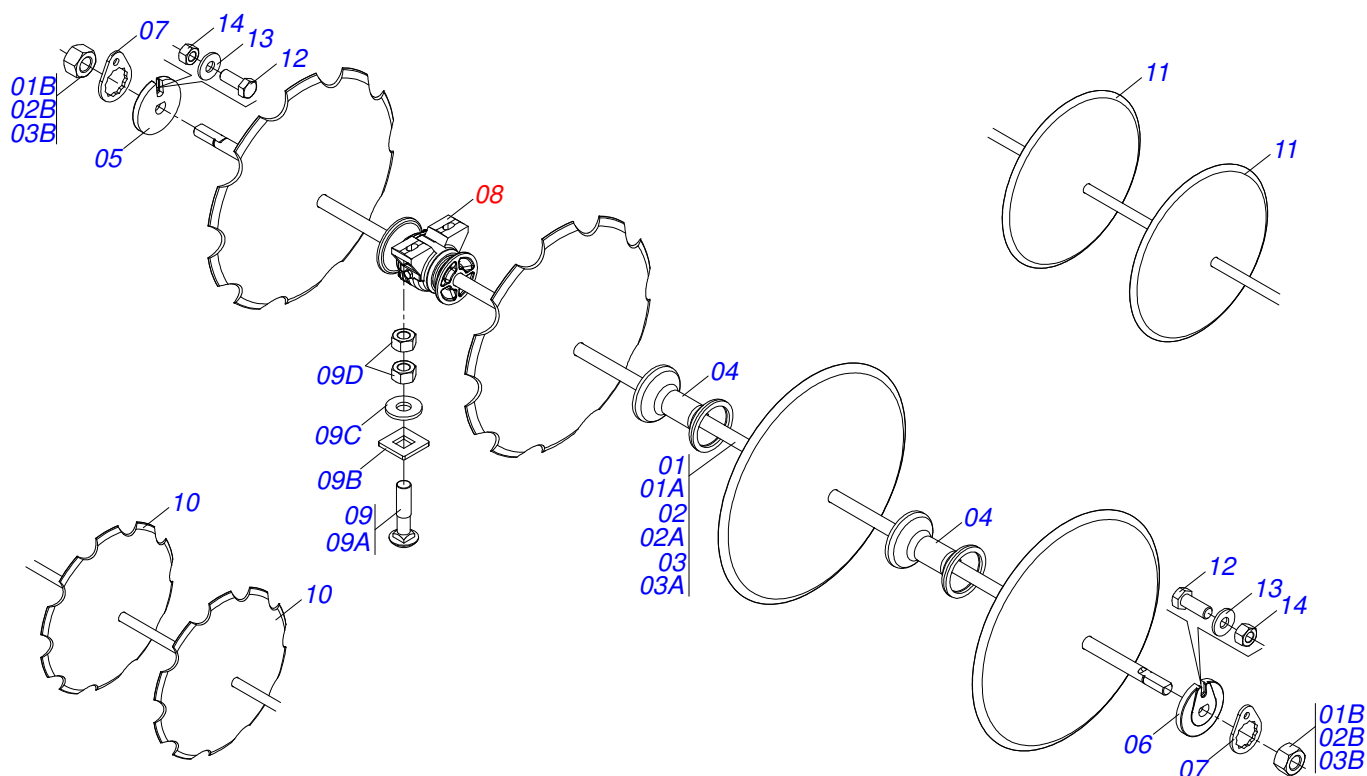
Item	Code	Description	QT
01	0511067334	HOSE SOPPORT ASSY	01
02	0503010014	3/4" NUT	02
03	0501010322	FLAT WASHER	02



Item	Code	Description	QT
01	0503062157	HEADER JACK	01

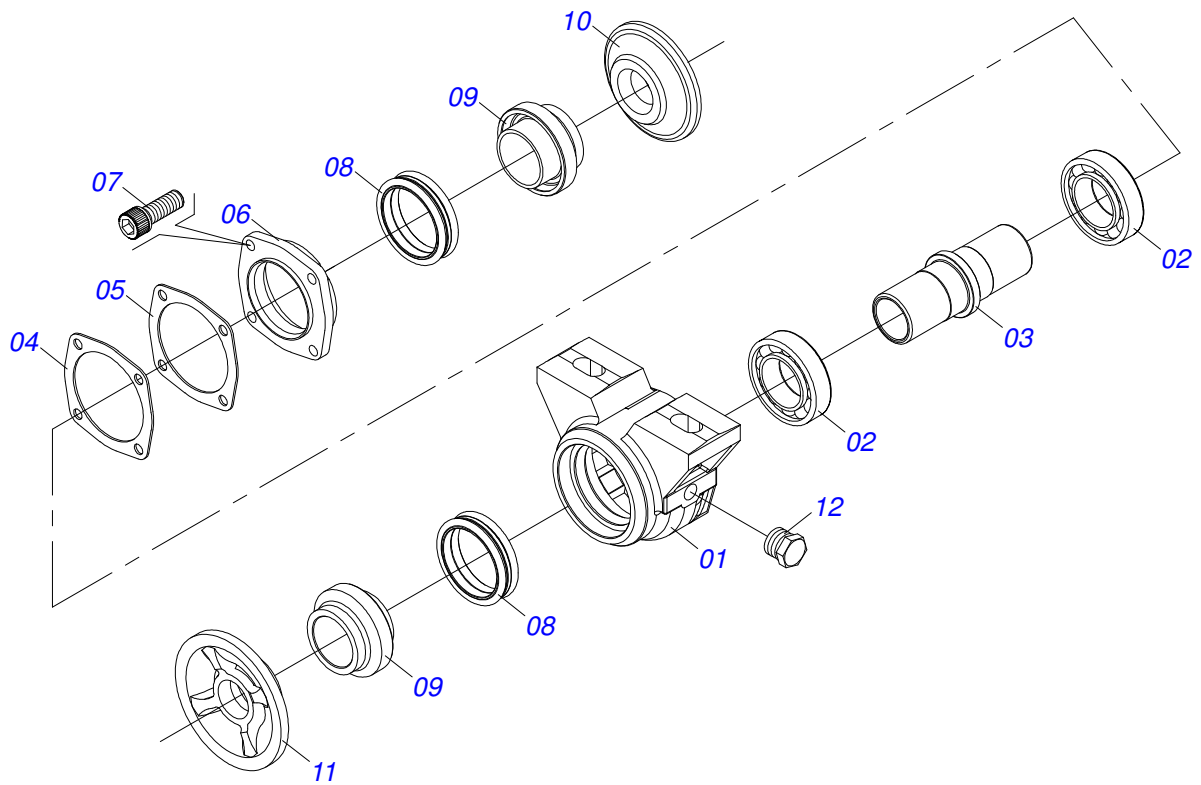


Item	Code	Description	QT
01	0503011627	QUICK CONNECTION (MALE) AGR 1/2 NPT	01
02	0503011882	QUICK CONNECTION COVER	01



Item	Code	Description	064	068	072	076	080	084
01	0501043697	1.1/2" X 1505 AXLE ASSY	008	004	000	006	010	000
01A	0511012601	1.1/2" X 1505 AXLE	008	004	000	006	010	000
01B	0501010110	1.1/2" NUT	016	008	000	012	020	000
02	0501046884	1.1/2 X 1705 AXLE W/NUT	000	004	008	000	000	000
02A	0501018720	1.1/2 X 1705 AXLE	000	004	008	000	000	000
02B	0501010110	1.1/2" NUT	000	008	016	000	000	000
03	0501044105	1.1/2 X 1305 AXLE W/NUT	000	000	000	004	000	012
03A	0511011914	1.1/2 X 1305 AXLE	000	000	000	004	000	012
03B	0501010110	1.1/2" NUT	000	000	000	008	000	024
04	0502010627	SPACER	040	044	048	046	050	048
05	0502010872	1-1/2" INNER AXLE WASHER	008	008	008	010	010	012
06	0502010871	1-1/2" EXTERNAL AXLE WASHER	008	008	008	010	010	012
07	0501018592	1.5/8" NUT LOCK	016	016	016	020	020	024
08	0501047055	BEARING	016	016	016	020	020	024
09	0501058802	5/8 UNC X 2.3/4 BOLT ASSY	032	032	032	040	040	048
09A	0503015154	5/8" X 2.3/4" BOLT	032	032	032	040	040	048
09B	0501010947	5/8 NUT LOCK	032	032	032	040	040	048
09C	0501012140	FLAT WASHER	032	032	032	040	040	048
09D	0503010013	5/8" NUT	064	064	064	080	080	096
10	0602029416	DR22X4,5 C64AF02FR1.9/16 10REC TATU	032	034	036	038	040	042
10.	0602029302	DR22X4,5 C63AF02FQ29,77XFC32,94 L.M	000	032	000	000	000	000
11	0601029413	DL22X4,5 C64AF02FR1.9/16 TATU	030	000	034	036	038	040
11.	0601027299	DL20X4,5 C57AF02FR1.9/16 TATU	002	002	002	002	002	002
12	0503011267	5/8" X 1.1/2" BOLT	016	016	016	020	020	024
13	0501012140	FLAT WASHER	016	016	016	020	020	024
14	0503010013	5/8" NUT	016	016	016	020	020	024

BEARING



Item	Code	Description	QT
01	0502010540	HOUSING DM	01
02	0503010006	32210 ROLLER BEARING	02
03	0502040061	AXLE	01
04	0503030013	4.4" X 3.5" X 0.004" JOINT	03
05	0503030684	4.4" X 3.5" X 0.004" JOINT	02
06	0502020424	HOUSING CAP DM	01
07	0503010134	3/8" X 1" BOLT	04
08	0503030026	SEAL LP JB-253	02
09	0502010541	SEAL RETAINER	02
10	0502010604	OUTER FLANGE	01
11	0502010605	INNER FLANGE	01
12	0503010856	OIL PLUG	02



MARCHESAN IMPLEMENTOS E MÁQUINAS AGRÍCOLAS TATU S.A.

AV. Marchesan, 1979 - Post office box, 131 - CEP 15994-900 - Matão - SP - Brazil

Phone +55 16.3382-8282

(FAX Parts) + 55 16.3382. 8297 - (Export) + 55 16.3382.1003

e.mail: tatu@marchesan.com.br www.marchesan.com.br

Technical Publications: Elaboration

ALESSANDRA PATRICIA KAWAHARA CARRILI

Technical Publications: Revision

ALESSANDRA PATRICIA KAWAHARA CARRILI

Contact Catálogo:

E-mail = jgaspari@marchesan.com.br

**ORIGINAL PARTS
TATU**

