

HINGE TYPE OFFSET DISK HARROW

GN 56/60D

Code: 0501092253
Series: S-0610
Revision: 00
Date Revision: JUNHO/2018

PARTS CATALOGUE



MARCHESAN



PRODUCTS

Code	Description	
0102110280	GN 56 X 20 X 3,5 DM	S-0610
0102110338	GN 56 X 22 X 3,5 DM MT	S-0610
0102110277	GN 60 X 20 X 3,50 CM	S-0610
0102110271	GN 60 X 20 X 3,50 DM	S-0610
0102110278	GN 60 X 22 X 3,50 DM	S-0610
0102110274	GN 60 X 22 X 3,50 DM DR	S-0610
0102110258	GN 60 X 22 X 4,50 DM	S-0610

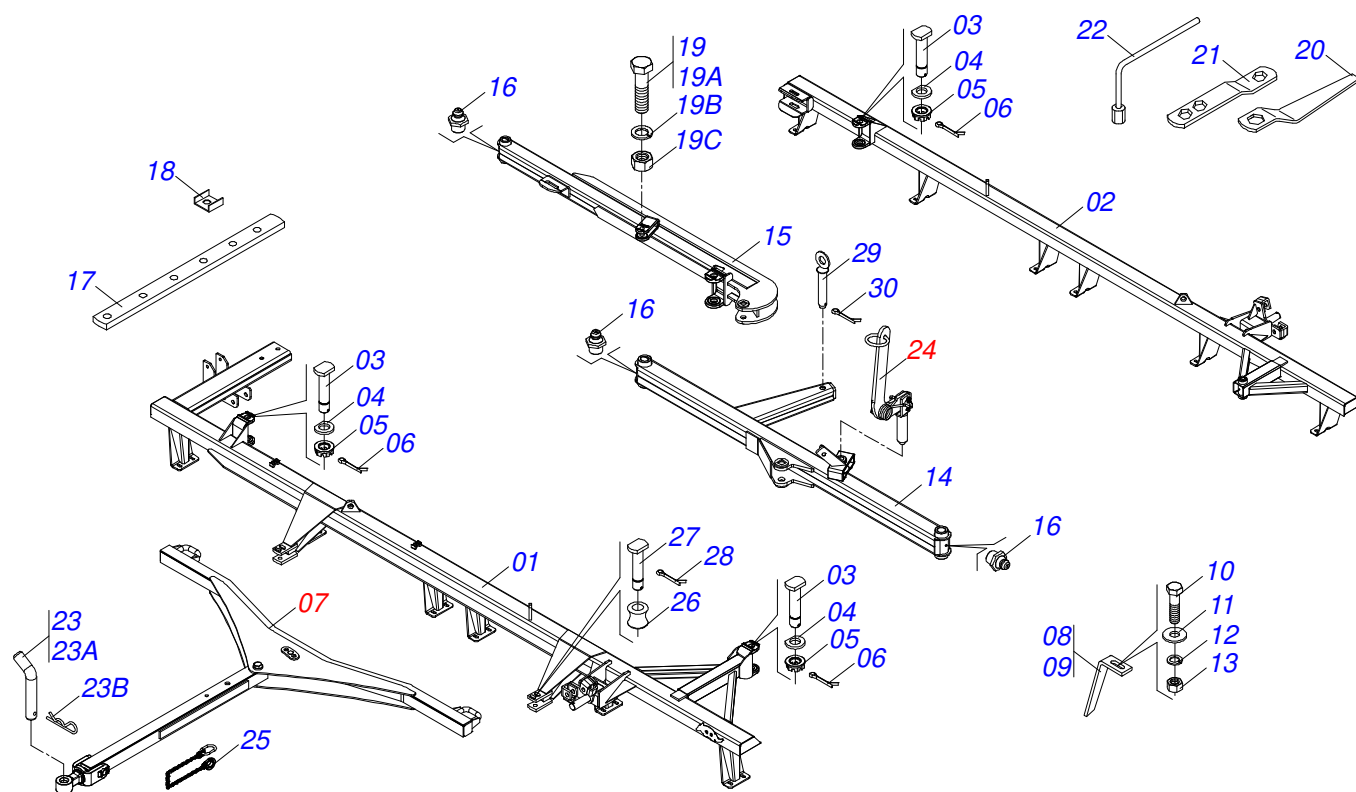
ATTENTION: IMPORTANT

Marchesan S.A. reserves the right to improve and/or modify the technical features of its products, without obligation to do the same with those products already sold and without prior knowledge of the dealer or the consumer. The photos are only illustrative.



INDEX

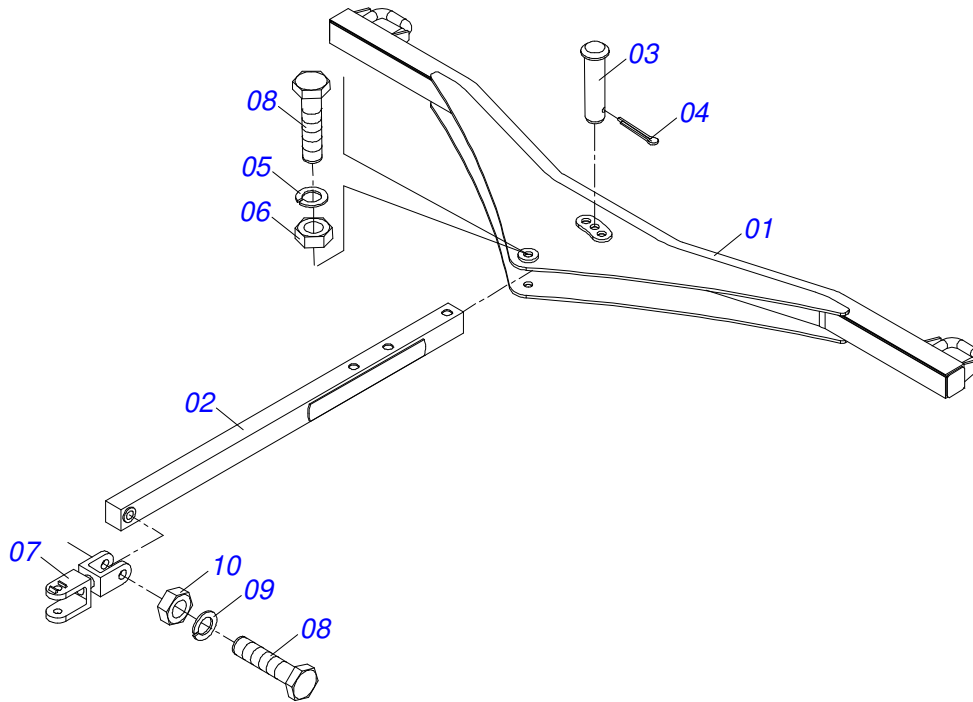
0909094233	GN 56/60D	1
0511042712	DRAWBAR ASSY	2
0501047858	ADJUSTMENT LEVER ASSY	3
0909094234	DISC SECTION 56/60D	4
0501047055	BEARING	5



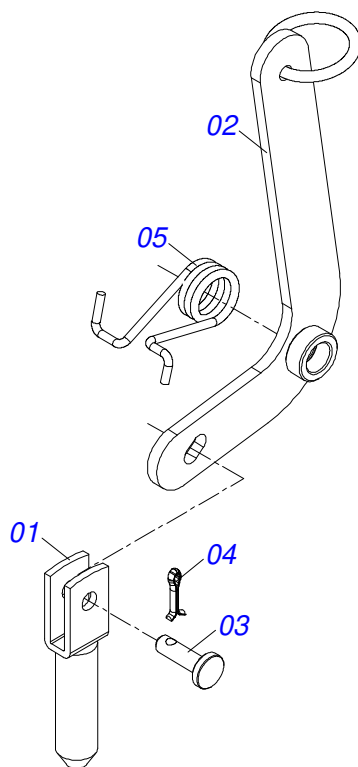
Item	Code	Description	See page	56	60
01	0521061582	FRONT FRAME		01	00
01.	0521061559	FRONT FRAME		00	01
02	0521061581	REAR FRAME		01	00
02.	0521061560	REAR FRAME 60		00	01
03	0531019497	1.5" X 9.2" ARTICULATED AXIS		03	03
04	0531019540	FLAT WASHER		03	03
05	0501011301	1.1/2 UNC 6FPP 2.5/16 NUT		03	03
06	0503010010	1/4" X 2.1/2" COTTERPIN		03	03
07	0511042712	DRAWBAR ASSY	2	01	01
08	0501063962	REAR SCRAPER		23	23
09	0501063963	FRONT SCRAPER		23	23
10	0503011082	C1/2" X 1.3/4" SCREW		46	92
11	0511017302	FLAT WASHER		46	92
12	0503010019	1/2" SPRING WASHER		46	92
13	0503010060	1/2" NUT		46	184
14	0521061561	FRONT STABILIZER BAR		01	01
15	0521061558	REAR STABILIZER BAR		01	01
16	0503010002	1800 GREASE FITTING		03	03
17	0501063467	ADJUSTMENT BAR		01	01
18	0501011649	U 1.2" X 3.1" X 3/16" BAR		01	01
19	0501040852	1" X 4" ASSY BOLT		01	01
19A	0503011432	BOLT		01	01
19B	0503011438	SPRING WASHER		01	01
19C	0501010059	1.5/8 NUT		01	01
20	0501011432	1-1/2" AND 1-5/8 GANG BOLT WRENCH		02	02
21	0511018451	5/8" X 3/4" X 1" UNIVERSAL		01	01
22	0501068273	5/8" WRENCH		01	01
23	0501047880	ASSY AXLE JUNCTION		01	01
23A	0521010453	AXI SHAFT		01	01
23B	0503031035	HAIR PIN		01	01
24	0501047858	ADJUSTMENT LEVER ASSY	3	01	01



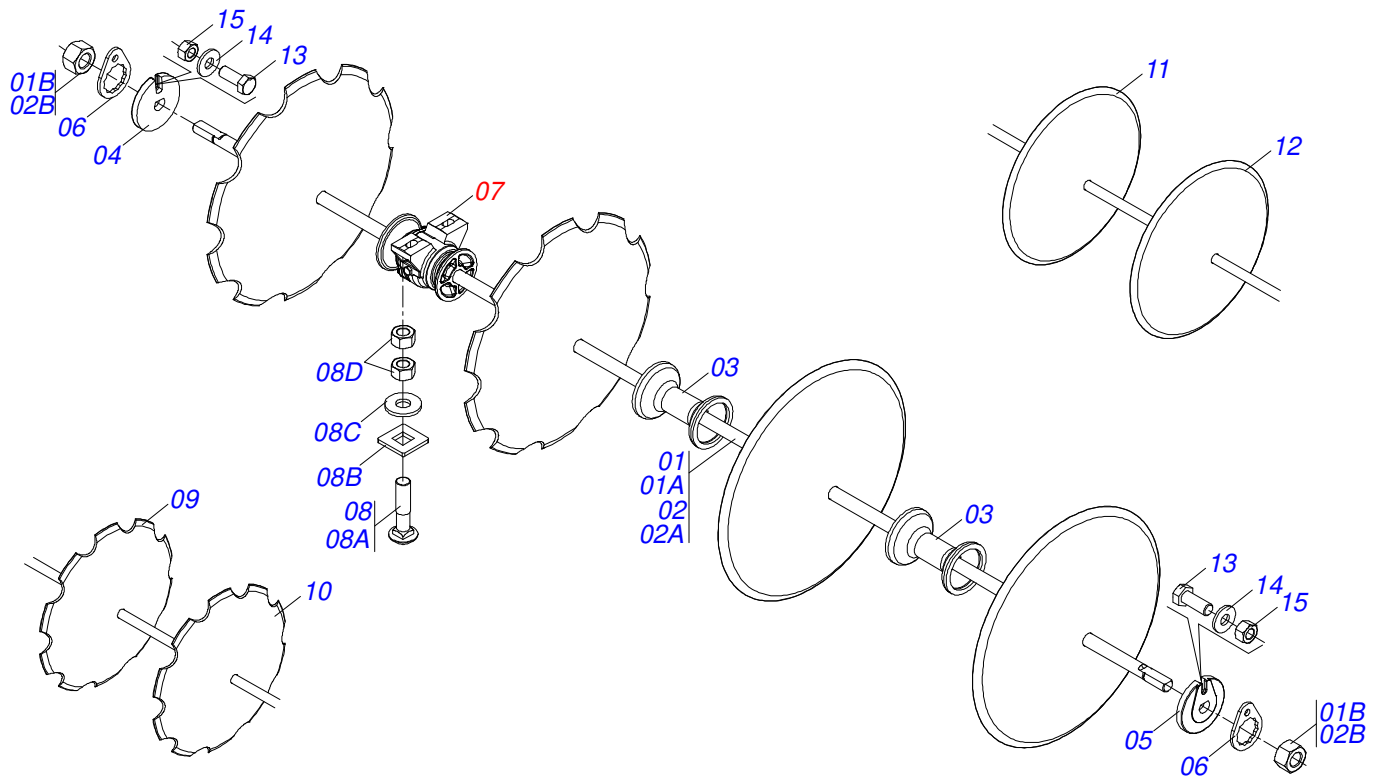
Item	Code	Description	See page	56	60
25	0503013150	1300 X 3/8 CHAIN		01	01
26	0502040147	REEL		02	02
27	0521010628	25,40 X 105 COUPLING SHAFT		02	02
28	0503010571	1/4" X 1.1/2 COTTERPIN		02	02
29	0501068992	0.9" X 4.5" COUPLING SHAFT		02	02
30	0503030012	HAIR PIN		02	02



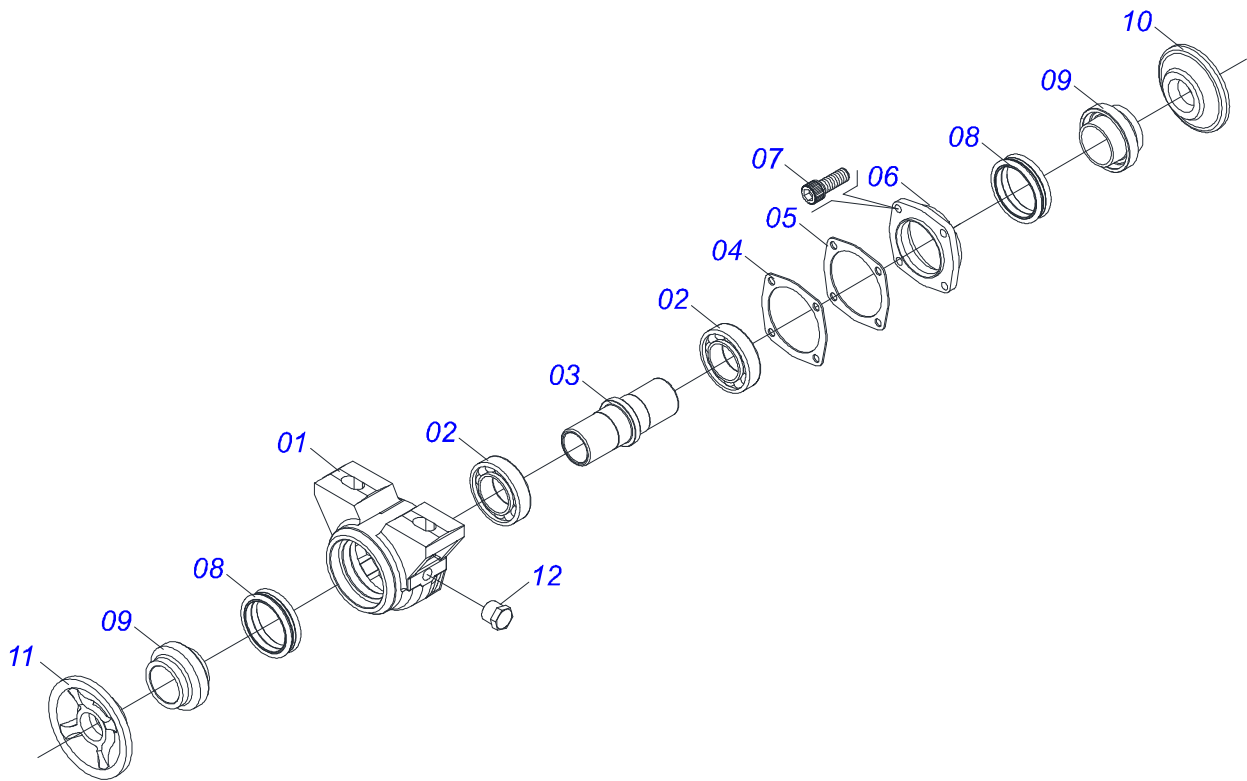
Item	Code	Description	See page	QT
01	0511064555	OFFSET BAR		01
02	0501060188	DRAWBAR ASSY		01
03	0521010585	0.9" X 5.9" COUPLING SHAFT		01
04	0503010523	1/4" X 2" COTTERPIN		02
05	0503011438	SPRING WASHER		02
06	0501010059	1.5/8 NUT		02
07	0521061775	TRACTOR HITCH		01
08	0501010060	1" X 6-1/2" BOLT		02



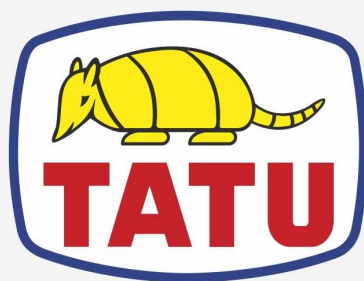
Item	Code	Description	See page	QT
01	0501060185	ADJUSTMENT LOCK		01
02	0501068981	ADJUSTMENT LEVER		01
03	0521010624	0.4" X 1.5" COUPLING SHAFT		01
04	0503010071	3/16" X 1" COTTERPIN		01
05	0503030025	1.4" X 0.2" TORSION SPRING		01



Item	Code	Description	See page	56	60
01	0511045023	1.1/2" X 2680 AXLE		04	00
01A	0551011002	1.1/2" X 2680 AXLE		04	00
01B	0501010110	1.1/2" NUT		04	00
02	0501059898	1.1/2 X 2880 AXLE ASSY		00	04
02A	0561016111	1.1/2 X 2880 AXLE		00	04
02B	0501010110	1.1/2" NUT		00	08
03	0502010627	SPACER		44	44
04	0502010872	1-1/2" INNER AXLE WASHER		04	04
05	0502010871	1-1/2" EXTERNAL AXLE WASHER		04	04
06	0501018592	1.5/8" NUT LOCK		08	08
07	0501047055	BEARING	5	12	12
08	0501058802	5/8 UNC X 2.3/4 BOLT ASSY		24	24
08A	0503015154	5/8" X 2.3/4" BOLT		24	24
08B	0501010947	5/8 NUT LOCK		24	24
08C	0501012140	FLAT WASHER		24	24
08D	0503010013	5/8" NUT		48	48
09	0602029422	DR22X3,5 C64AF02FR1.9/16 10R TATU		28	00
09.	0602029416	DR22X4,5 C64AF02FR1.9/16 10REC TATU		20	30
10	0602027341	DR20X3,5 C57AF02FR1.9/16 10R TATU		28	30
10.	0602027342	DR20X4,5 C57AF02FR1.5/16 10R TATU		20	24
11	0601029419	DL22X3,5 C64AF02FR1.9/16 TATU		26	00
11.	0601029413	DL22X4,5 C64AF02FR1.9/16 TATU		00	28
11..	0601027299	DL20X4,5 C57AF02FR1.9/16 TATU		00	02
11...	0601027302	DL20X3,5 C57AF02FR1.9/16 TATU		02	28
12	0601025033	DL18X3,5 C45AF02FR1.9/16"		02	02
13	0503011267	BOLT 5/8 UNC X 1.1/2 C S G.5 ZN		08	08
14	0501012140	FLAT WASHER		08	08
15	0503010013	5/8" NUT		08	08



Item	Code	Description	See page	QT
01	0502010540	HOUSING DM		01
02	0503010006	32210 ROLLER BEARING		02
03	0502040061	AXLE		01
04	0503030013	4.4" X 3.5" X 0.004" JOINT		03
05	0503030684	4.4" X 3.5" X 0.004" JOINT		02
06	0502020424	HOUSING CAP		01
07	0503010134	3/8" X 1" BOLT		04
08	0503030026	SEAL LP JB-253		02
09	0502010541	SEAL RETAINER		02
10	0502010604	OUTER FLANGE		01
11	0502010605	INNER FLANGE		01
12	0503010856	OIL PLUG		02



MARCHESAN

Technical Publications | Elaboration and Revision

ALESSANDRA PATRICIA KAWAHARA CARRILI

www.marchesan.com.br

