

**HINGE TYPE OFFSET DISK HARROW**

**GN 48D - PA - 04 AXIS - 1.1/2"**

**Code:** 0501092252

**Series:** S-1193

**Revision:** 00

**Date Revision:** JUNHO/2018

# PARTS CATALOGUE



**MARCHESAN**



# PRODUCTS

Code	Description
0102110166	GN 48 X 22 X4,5 DM PA 4E1.1/2 S1193
0102110203	GN 48X24X4,75 DM PA EIX 1.1/2 S1193

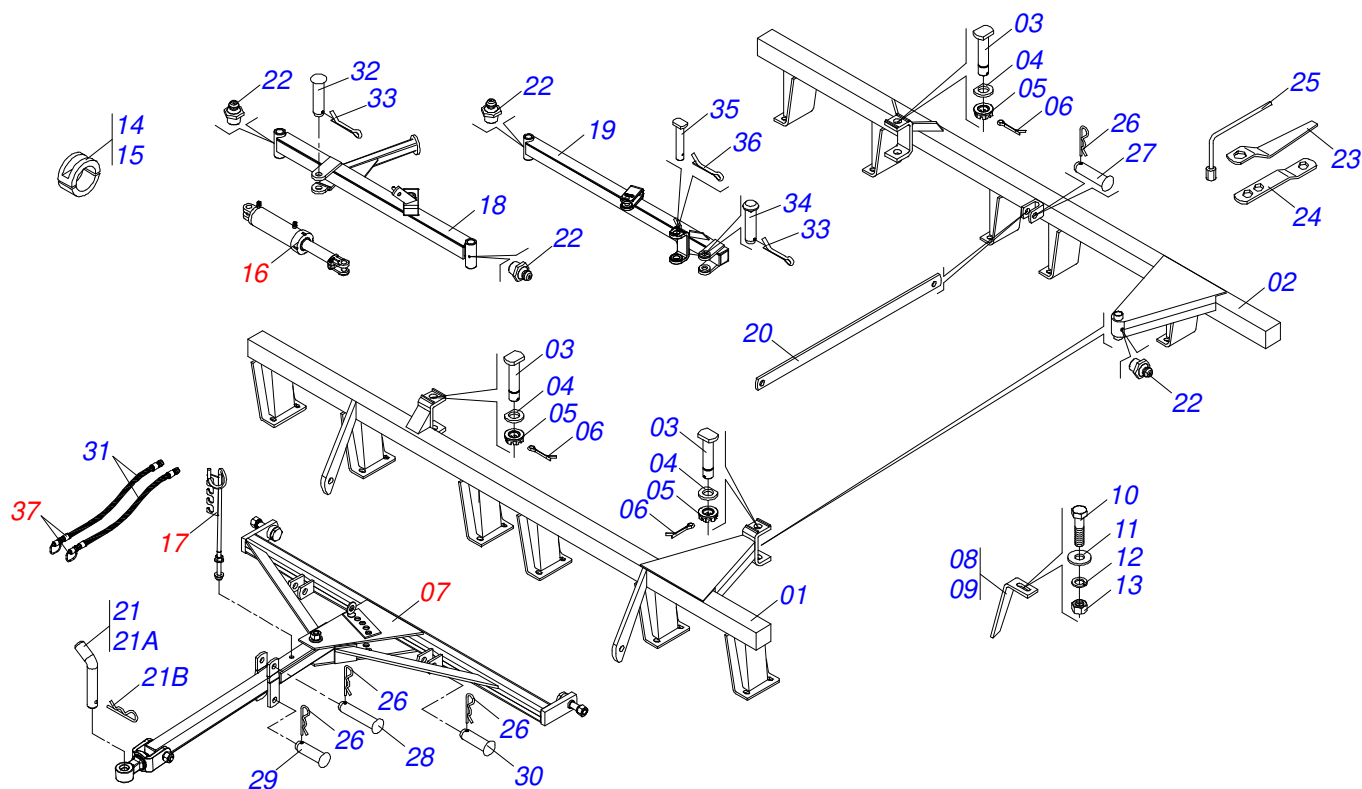
## ATTENTION: IMPORTANT

Marchesan S.A. reserves the right to improve and/or modify the technical features of its products, without obligation to do the same with those products already sold and without prior knowledge of the dealer or the consumer. The photos are only illustrative.



# INDEX

0909094231	GN 48D - PA - 04 AXIS - 1.1/2"	.....	1
0501043081	DRAWBAR ASSY	.....	2
0511058459	HYDRAULIC CYLINDER	.....	3
0501040257	3/4 X 1200 HOSE HOLDER A	.....	4
0501053834	MALE QUICK COUPLER	.....	5
0909094232	DISC SECTION 48D	.....	6
0501047055	BEARING	.....	7



Item	Code	Description	See page	QT
01	0511065834	FRAME FRONT		01
02	0511065835	REAR FRAME		01
03	0531019497	1.5" X 9.2" ARTICULATED AXIS		03
04	0531019540	FLAT WASHER		03
05	0501011301	1.1/2 UNC 6FPP 2.5/16 NUT		03
06	0503010010	1/4" X 2.1/2" COTTERPIN		03
07	0501043081	DRAWBAR ASSY	2	01
08	0501063963	FRONT SCRAPER		17
09	0501063962	REAR SCRAPER		17
10	0503011082	C1/2" X 1.3/4" SCREW		60
11	0511017302	FLAT WASHER		60
12	0503010019	1/2" SPRING WASHER		60
13	0503010060	1/2" NUT		60
14	0501047895	ROD STOP		06
15	0501047885	ROD STOP		04
16	0511058459	HYDRAULIC CYLINDER	3	01
17	0501040257	3/4 X 1200 HOSE HOLDER A	4	01
18	0501064461	FRONT STAB BAR		01
19	0501064462	63" REAR STABILIZER BAR		01
20	0501018945	45" ATTACHMENT BAR		01
21	0501040343	DRAWBOLT ASSY		01
21A	0501010523	DRAWBOLT		01
21B	0503010571	1/4" X 1.1/2 COTTERPIN		01
22	0503010002	1800 GREASE FITTING		04
23	0501011432	1-1/2" AND 1-5/8 GANG BOLT WRENCH		02
24	0511018451	5/8" X 3/4" X 1" UNIVERSAL		01
25	0501068273	5/8" WRENCH		01
26	0503031035	HAIR PIN		05
27	0521010573	0.9" X 3.1" COUPLING SHAFT		01
28	0521010578	COUPLING SHAFT		01
29	0521010579	COUPLING SHAFT		01



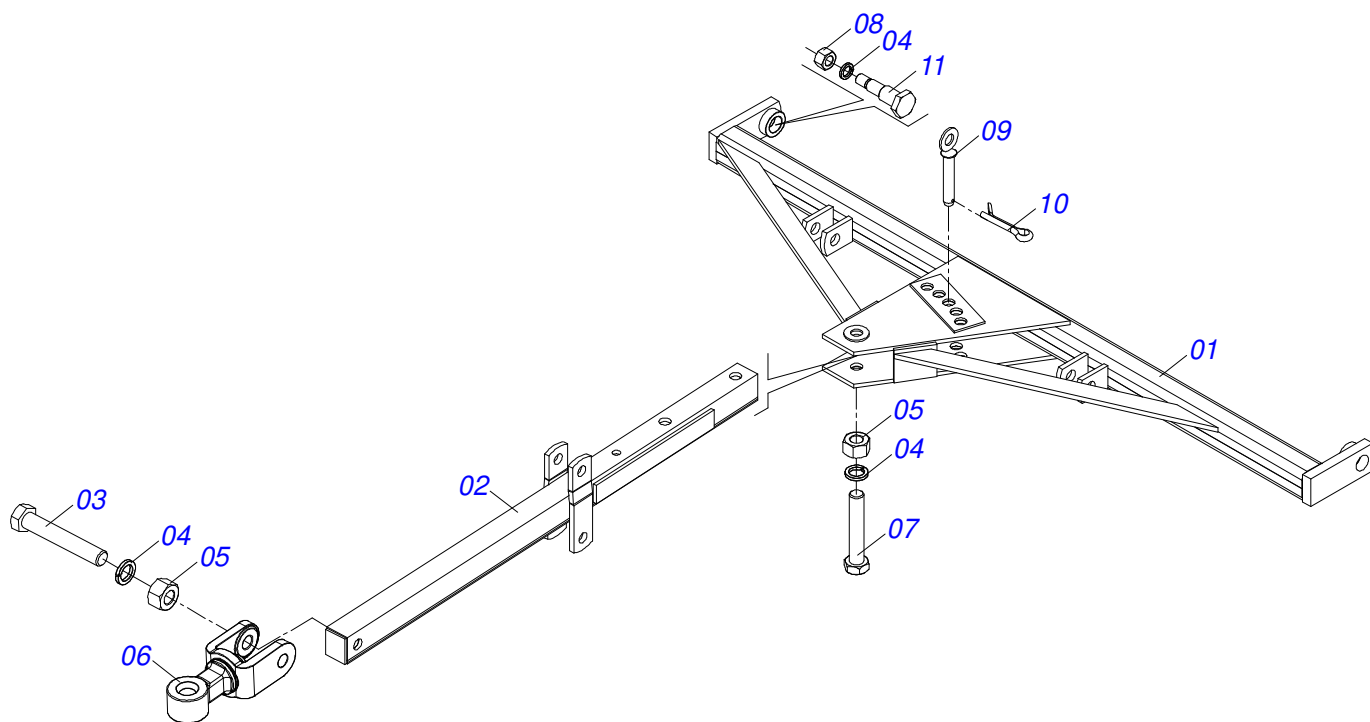
GN 48D - PA - 04 AXIS - 1.1/2"

Page 1

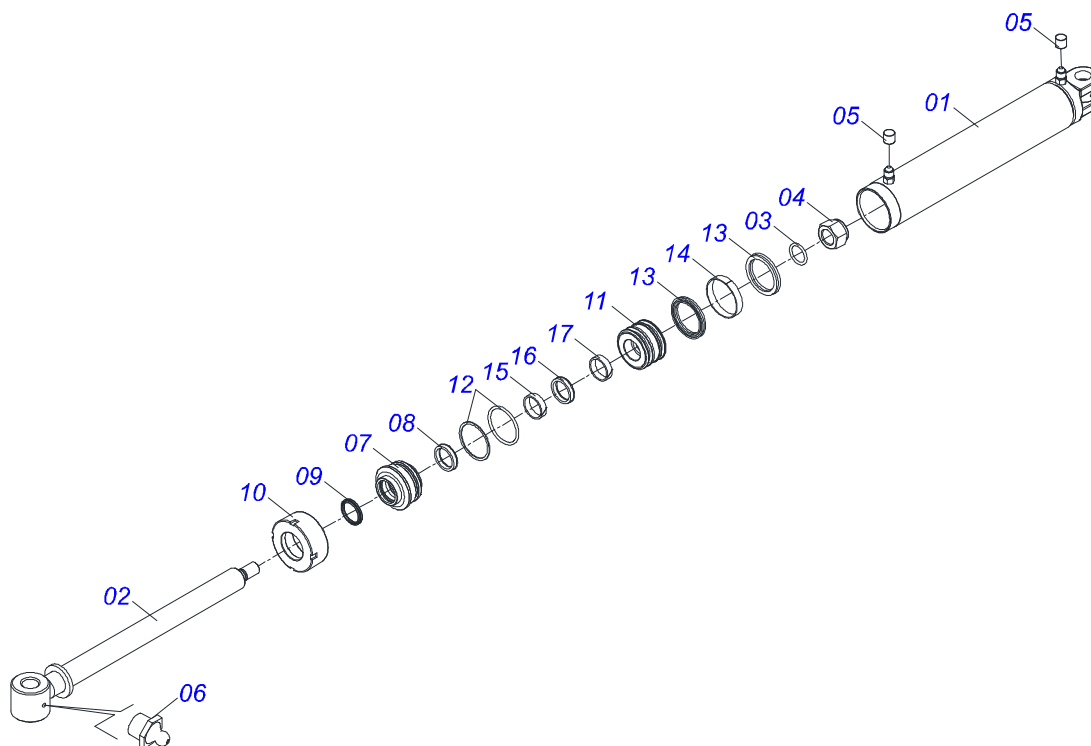
GN 48D - PA - 04 AXIS - 1.1/2"

0909094231

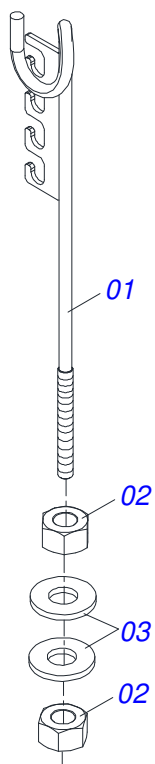
Item	Code	Description	See page	QT
30	0521010595	1.1" X 4.3" COUPLING SHAFT		02
31	0501080363	3/8" X 177" TR-TM HOSE ASSY		02
32	0521010544	1.2" X 4.9" COUPLING SHAFT		01
33	0503010010	1/4" X 2.1/2" COTTERPIN		02
34	0521013077	1.2" X 5.7" PIVOT SHAFT		01
35	0521010644	1.5" X 8.4" COUPLING SHAFT		01
36	0503010534	3/8 X 2-1/2 COTTERPIN		01
37	0501053834	MALE QUICK COUPLER	5	02



Item	Code	Description	See page	QT
01	0501064919	OFFSET BAR FOR TRANSP HYDRAULIC		01
02	0501064878	DRAWBAR ASSY		01
03	0501010372	1" X 5-1/2" BOLT		01
04	0503011438	SPRING WASHER		04
05	0501010059	1.5/8 NUT		02
06	0521062444	TRACTOR HITCH		01
07	0501010191	1" X 6" BOLT		01
08	0503010340	1" NUT		02
09	0501068993	0.9" X 5.5" COUPLING SHAFT		01
10	0503010571	1/4" X 1.1/2 COTTERPIN		01
11	0501018191	BARRANG BOLT		02

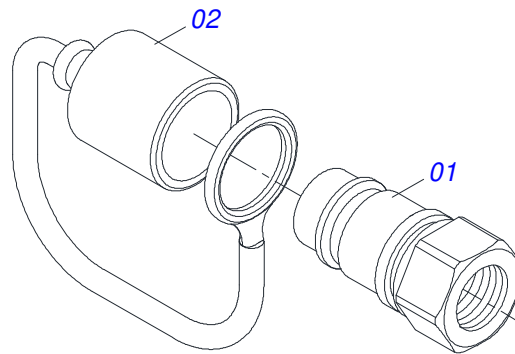


Item	Code	Description	See page	QT
01	0521061064	85,72 X 510 CYLINDER CASE		01
02	0521067533	50,80 X 697 EXTENSOR		01
03	0503010042	2-214 N 3006-9B O'RING		01
04	0503010063	1" SELF-ALIGNING NUT		01
05	0503030385	CYLINDER PLUG N-002		02
06	0503010002	1800 GREASE FITTING		02
07	0571019710	1.7" X 3.4" PISTON		01
08	0503017935	RING		01
09	0503018144	RING		01
10	0581013227	85,72 MOVEEL COVER		01
11	0581013228	50,80 X 85,72 SUPPORT RINGS		01
12	0503017940	8-337 BACK-UP RING		02
13	0503017939	2-337 N 3006-9B O' RING		02
14	0503010039	D-2000 SCRAPER RING		01
15	0503018026	1870-2000-375 B GASKET		01
16	0503018025	RING GUIDE		01
17	0503018024	RING BS		01

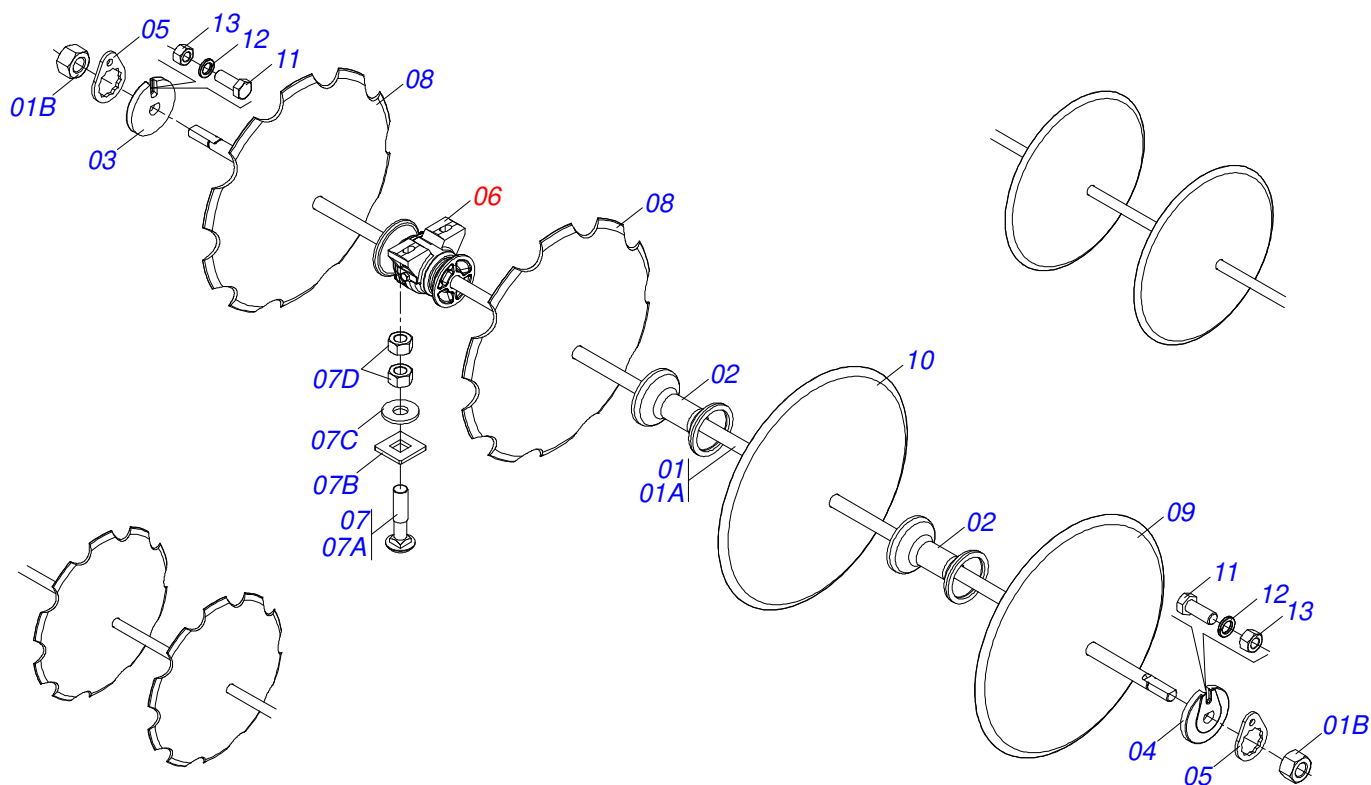


Item	Code	Description	See page	QT
01	0511067334	HOSE SOPPORT ASSY		01
02	0503010014	3/4" NUT		02
03	0501010322	FLAT WASHER		02



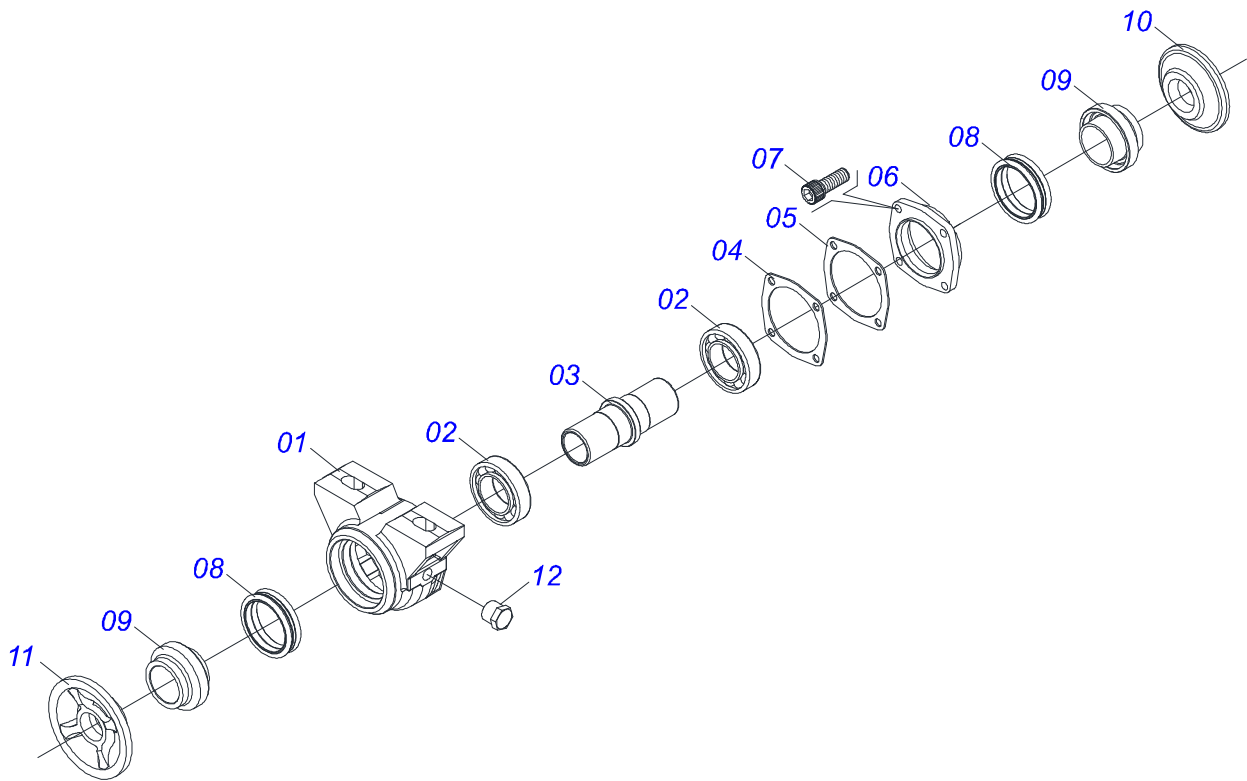


Item	Code	Description	See page	QT
01	0503011627	MALE QUICK COUPLER AGR 1/2 NPT		01
02	0503011882	MALE QUICK COUPLER CAP		01



Item	Code	Description	See page	QT
01	0521045341	AXLE		04
01A	0511012017	AXLE		04
01B	0501010110	1.1/2" NUT		08
02	0502010627	SPACER		32
03	0502010872	1-1/2" INNER AXLE WASHER		04
04	0502010871	1-1/2" EXTERNAL AXLE WASHER		04
05	0501018592	1.5/8" NUT LOCK		08
06	0501047055	BEARING	7	12
07	0501058802	5/8 UNC X 2.3/4 BOLT ASSY		16
07A	0503015154	5/8" X 2.3/4" BOLT		16
07B	0501010947	5/8 NUT LOCK		16
07C	0501012140	FLAT WASHER		16
07D	0503010013	5/8" NUT		32
08	0602029416	DR22X4,5 C64AF02FR1.9/16 10REC TATU		24
09	0601029413	DL22X4,5 C64AF02FR1.9/16 TATU		22
10	0601027299	DL20X4,5 C57AF02FR1.9/16 TATU		02
10.	0602030446	24" X 4,75 NOTCHED DISC BLADE		24
10..	0601031039	DL24X4,75 C72AF02FR1.9/16 TATU TERR		22
11	0503011267	BOLT 5/8 UNC X 1.1/2 C S G.5 ZN		08
12	0503010027	5/8" SPRING WASHER		08
13	0503010013	5/8" NUT		08

BEARING



Item	Code	Description	See page	QT
01	0502010540	HOUSING DM		01
02	0503010006	32210 ROLLER BEARING		02
03	0502040061	AXLE		01
04	0503030013	4.4" X 3.5" X 0.004" JOINT		03
05	0503030684	4.4" X 3.5" X 0.004" JOINT		02
06	0502020424	HOUSING CAP		01
07	0503010134	3/8" X 1" BOLT		04
08	0503030026	SEAL LP JB-253		02
09	0502010541	SEAL RETAINER		02
10	0502010604	OUTER FLANGE		01
11	0502010605	INNER FLANGE		01
12	0503010856	OIL PLUG		02



# ANNOTATION

Lined area for annotations, consisting of 28 horizontal lines.





**MARCHESAN**

***Technical Publications | Elaboration and Revision***

ALESSANDRA PATRICIA KAWAHARA CARRILI

[www.marchesan.com.br](http://www.marchesan.com.br)

