

HINGE TYPE OFFSET DISK HARROW

GN 44/48D - PA - 04 AXIS - 1.1/4"

Code: 0501092251
Series: S-1193
Revision: 00
Date Revision: JUNHO/2018

PARTS CATALOGUE



MARCHESAN



PRODUCTS

Code	Description
0102110210	GN 44 X 22 X 4,50 DM PA 4EIX S1193
0102110188	GN 44 X 22 X 4,50 DM PA 4EIX S-1193
0102110281	GN 44 X 22 X 4,50DMDR PA 4EIX S1193
0102110249	GN 48 X 22 X 3,50 CM PA 4E S-1193
0102110264	GN 48 X 22 X 4,5 DM PA DR 4E S1193
0102110236	GN 48 X 22 X 4,50 X DM PA 4E S-1193

ATTENTION: IMPORTANT

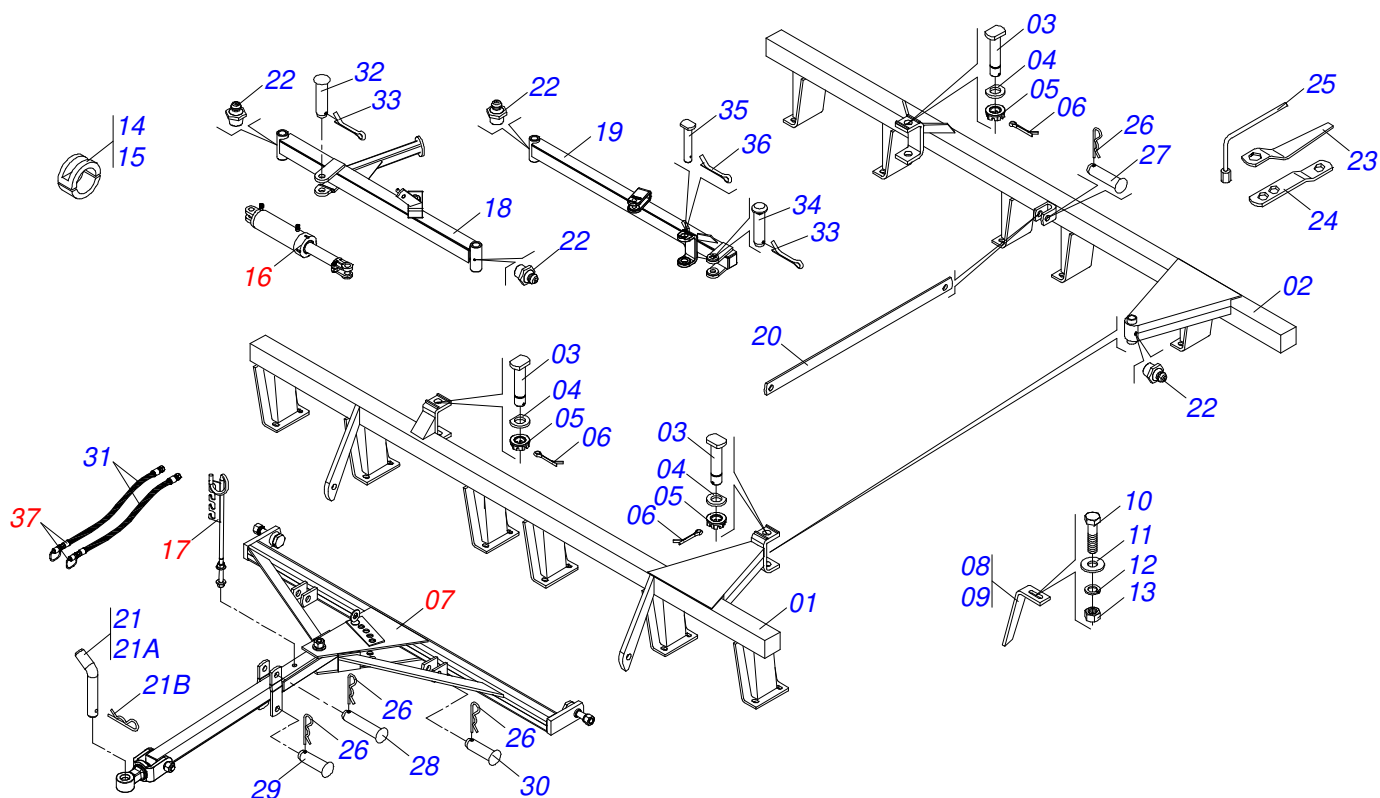
Marchesan S.A. reserves the right to improve and/or modify the technical features of its products, without obligation to do the same with those products already sold and without prior knowledge of the dealer or the consumer. The photos are only illustrative.



MARCHESAN

INDEX

0909094229	GN 44/78D - PA - 04 AXIS - 1.1/4"	1
0501043081	DRAWBAR ASSY	2
0511058459	HYDRAULIC CYLINDER	3
0501040257	3/4 X 1200 HOSE HOLDER A	4
0501053834	MALE QUICK COUPLER	5
0909094230	DISC SECTION 44/48D	6
0501046913	GX 7" 1-1/4" BEARING ASSY	7
0501046922	AGRICULTURAL BEARING DM OL 192.5 X 1.1/4 IMPLEMENT	8

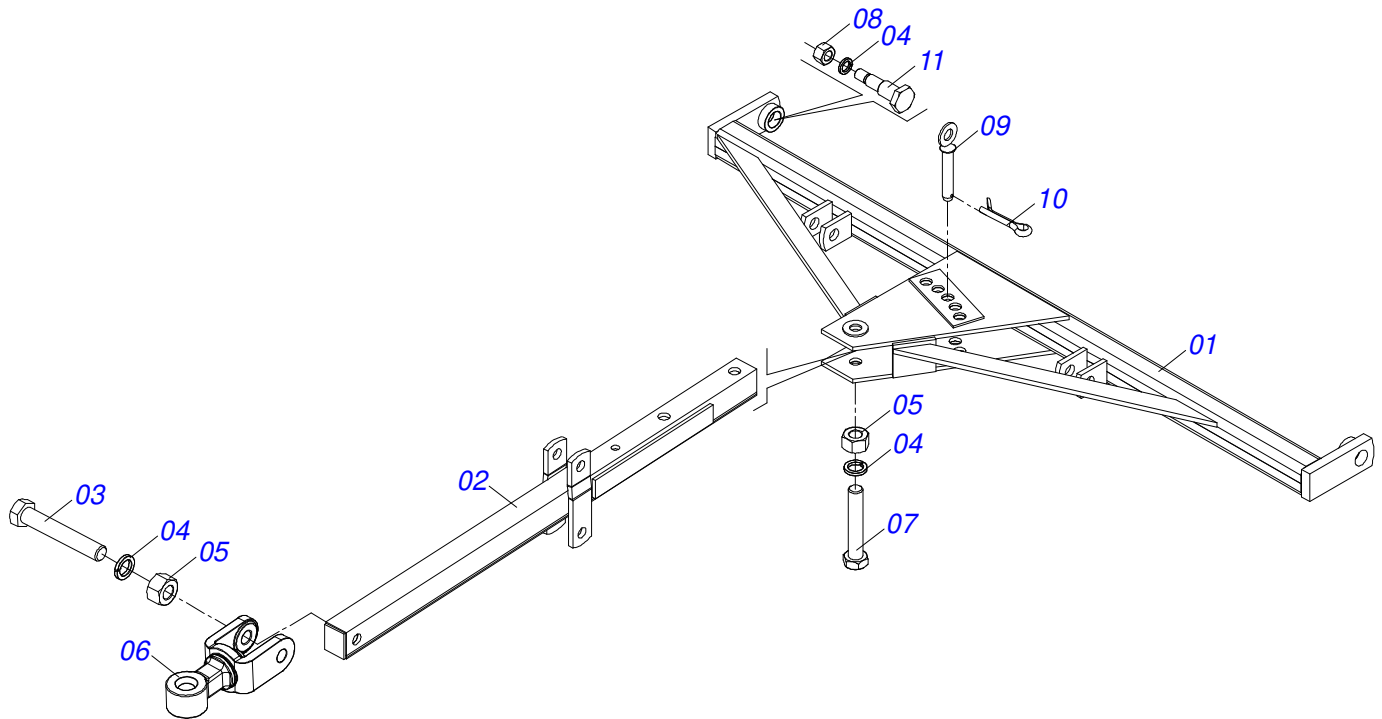


Item	Code	Description	See page	44	48
01	0511065579	FRAME FRONT		01	00
01.	0511065834	FRAME FRONT		00	01
02	0511065580	2135 OFFSET BAR		01	00
02.	0511065835	REAR FRAME		00	01
03	0531019497	1.5" X 9.2" ARTICULATED AXIS		03	03
04	0531019540	FLAT WASHER		03	03
05	0501011301	1.1/2 UNC 6FPP 2.5/16 NUT		03	03
06	0503010010	1/4" X 2.1/2" COTTERPIN		03	03
07	0501043081	DRAWBAR ASSY	2	01	01
08	0501063963	FRONT SCRAPER		15	17
09	0501063962	REAR SCRAPER		15	17
10	0503011082	C1/2" X 1.3/4" SCREW		60	68
11	0511017302	FLAT WASHER		60	68
12	0503010019	1/2" SPRING WASHER		60	68
13	0503010060	1/2" NUT		60	68
14	0501047895	ROD STOP		06	06
15	0501047885	ROD STOP		04	04
16	0511058459	HYDRAULIC CYLINDER	3	01	01
17	0501040257	3/4 X 1200 HOSE HOLDER A	4	01	01
18	0501064461	FRONT STAB BAR		01	01
19	0501064462	63" REAR STABILIZER BAR		01	01
20	0501018945	45" ATTACHMENT BAR		01	01
21	0501040343	DRAWBOLT ASSY		01	01
21A	0501010523	DRAWBOLT		01	01
21B	0503010571	1/4" X 1.1/2 COTTERPIN		01	01
22	0503010002	1800 GREASE FITTING		04	04
23	0501010198	1-1/4" CABLE FLAT WRENCH		02	02
24	0511018451	5/8" X 3/4" X 1" UNIVERSAL		01	01
25	0501068273	5/8" WRENCH		01	01
26	0503031035	HAIR PIN		05	05
27	0521010573	0.9" X 3.1" COUPLING SHAFT		01	01



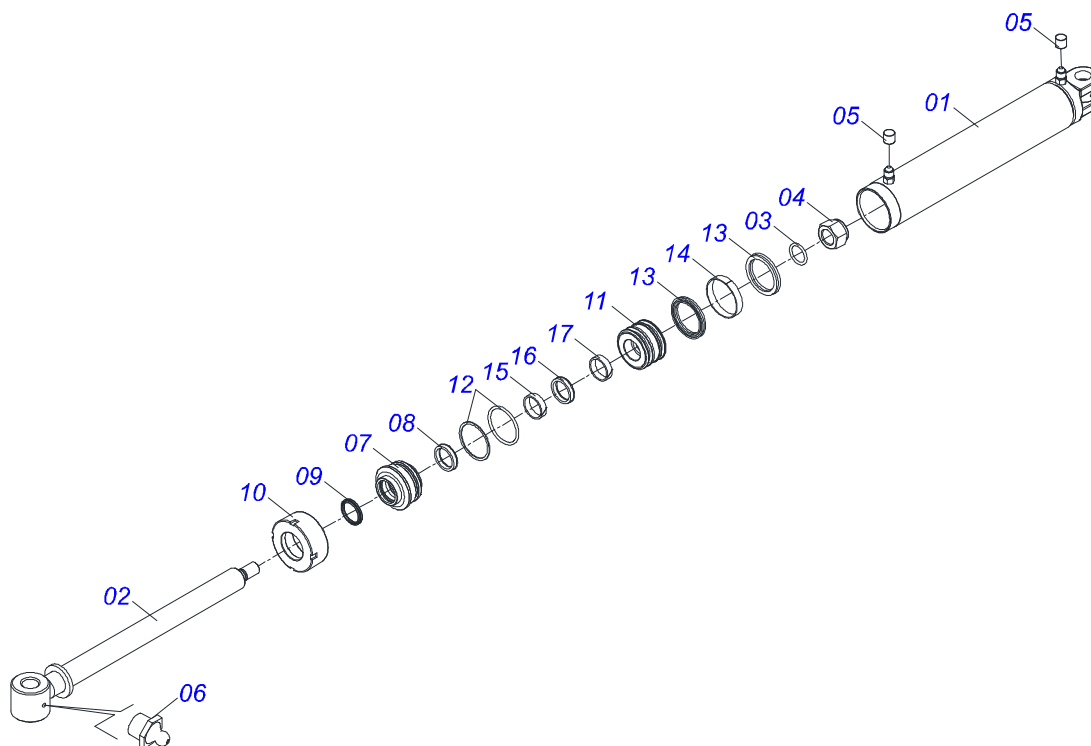
Item	Code	Description	See page	44	48
28	0521010578	COUPLING SHAFT		01	01
29	0521010579	COUPLING SHAFT		01	01
30	0521010595	1.1" X 4.3" COUPLING SHAFT		02	02
31	0501080363	3/8" X 177" TR-TM HOSE ASSY		02	02
32	0521010544	1.2" X 4.9" COUPLING SHAFT		01	01
33	0503010010	1/4" X 2.1/2" COTTERPIN		02	02
34	0521013077	1.2" X 5.7" PIVOT SHAFT		01	01
35	0521010644	1.5" X 8.4" COUPLING SHAFT		01	01
36	0503010534	3/8 X 2-1/2 COTTERPIN		01	01
37	0501053834	MALE QUICK COUPLER	5	02	02

DRAWBAR ASSY

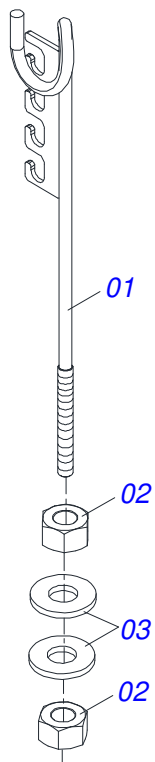


Item	Code	Description	See page	QT
01	0501064919	OFFSET BAR FOR TRANSP HYDRAULIC		01
02	0501064878	DRAWBAR ASSY		01
03	0501010372	1" X 5-1/2" BOLT		01
04	0503011438	SPRING WASHER		04
05	0501010059	1.5/8 NUT		02
06	0521062444	TRACTOR HITCH		01
07	0501010191	1" X 6" BOLT		01
08	0503010340	1" NUT		02
09	0501068993	0.9" X 5.5" COUPLING SHAFT		01
10	0503010571	1/4" X 1.1/2 COTTERPIN		01
11	0501018191	BARRANG BOLT		02

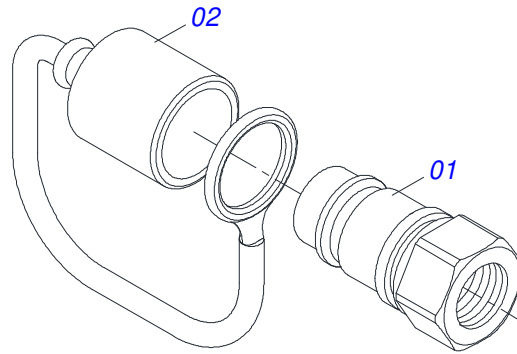
HYDRAULIC CYLINDER



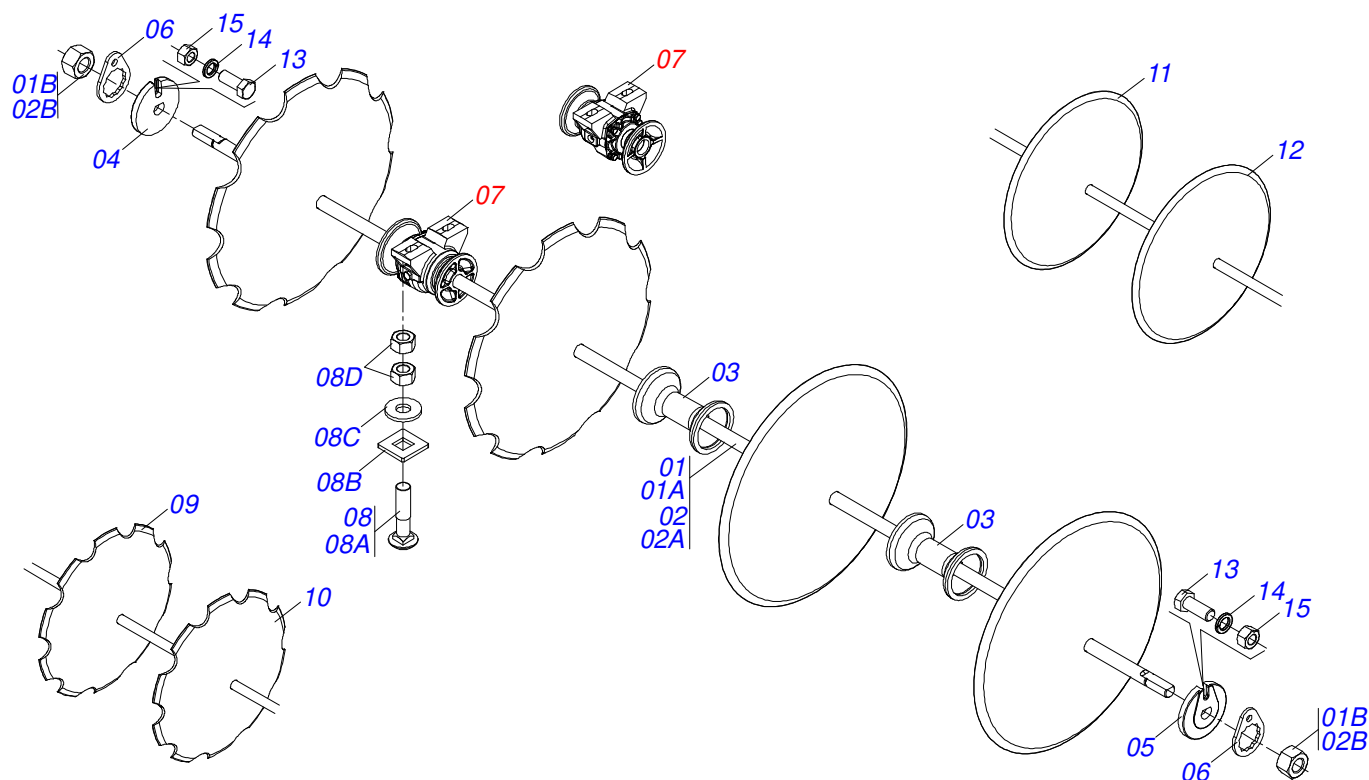
Item	Code	Description	See page	QT
01	0521061064	85,72 X 510 CYLINDER CASE		01
02	0521067533	50,80 X 697 EXTENSOR		01
03	0503010042	2-214 N 3006-9B O'RING		01
04	0503010063	1" SELF-ALIGNING NUT		01
05	0503030385	CYLINDER PLUG N-002		02
06	0503010002	1800 GREASE FITTING		02
07	0571019710	1.7" X 3.4" PISTON		01
08	0503017935	RING		01
09	0503018144	RING		01
10	0581013227	85,72 MOVEEL COVER		01
11	0581013228	50,80 X 85,72 SUPPORT RINGS		01
12	0503017940	8-337 BACK-UP RING		02
13	0503017939	2-337 N 3006-9B O' RING		02
14	0503010039	D-2000 SCRAPER RING		01
15	0503018026	1870-2000-375 B GASKET		01
16	0503018025	RING GUIDE		01
17	0503018024	RING BS		01



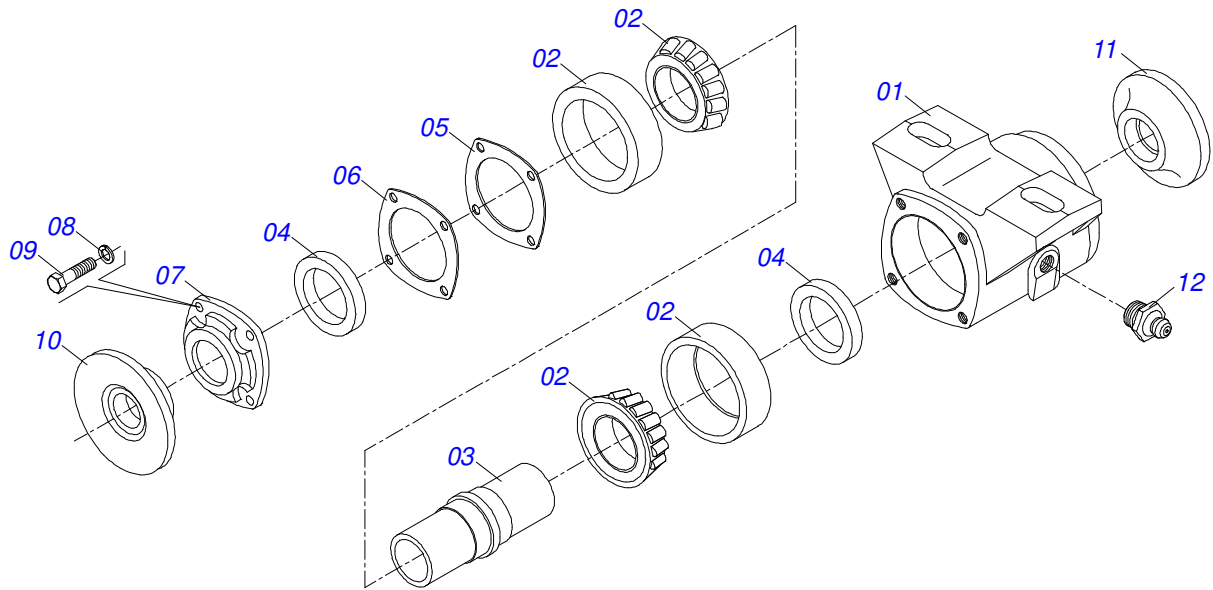
Item	Code	Description	See page	QT
01	0511067334	HOSE SOPPORT ASSY		01
02	0503010014	3/4" NUT		02
03	0501010322	FLAT WASHER		02



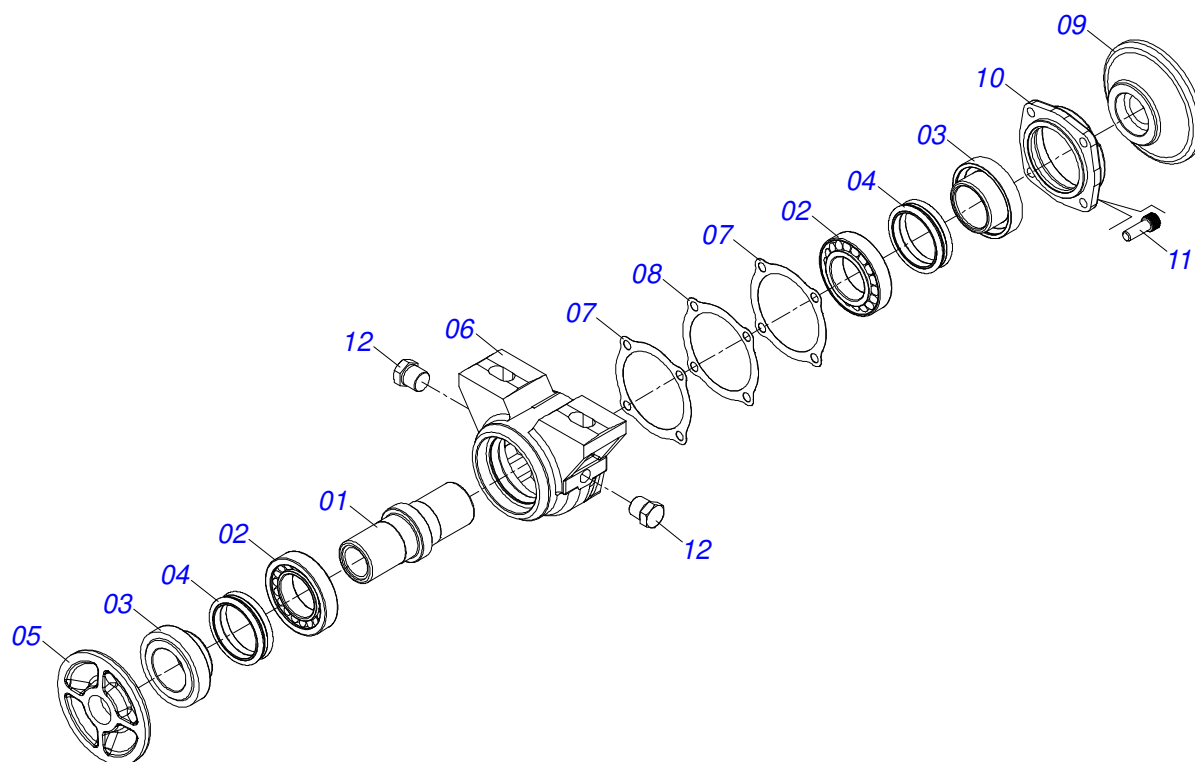
Item	Code	Description	See page	QT
01	0503011627	MALE QUICK COUPLER AGR 1/2 NPT		01
02	0503011882	MALE QUICK COUPLER CAP		01



Item	Code	Description	See page	44	48
01	0501042948	1-1/4" X 81.6" AXLE WITH NUTS		04	00
01A	0501017361	1-1/4" X 81.6" AXLE		04	00
01B	0501010087	1.1/4" NUT		08	00
02	0501042965	1-1/4" X 89" AXLE WITH NUTS		00	04
02A	0501017354	1-1/4" X 89" AXLE		00	04
02B	0501010087	1.1/4" NUT		00	08
03	0502010549	7.6" X 1-1/4" SPACER		28	32
04	0502010834	1-1/4" INNER AXLE WASHER		04	04
05	0502010835	1-1/4" EXTERNAL AXLE WASHER		04	04
06	0501010455	1.1/4" NUT LOCK		08	08
07	0501046913	GX 7" 1-1/4" BEARING ASSY	7	00	12
07.	0501046922	AGRICULTURAL BEARING DM OL 192.5 X 1.1/4 8 IMPLEMENT		12	12
08	0501058802	5/8 UNC X 2.3/4 BOLT ASSY		24	24
08A	0503015154	5/8" X 2.3/4" BOLT		24	24
08B	0501010947	5/8 NUT LOCK		24	24
08C	0501012140	FLAT WASHER		24	24
08D	0503010013	5/8" NUT		48	48
09	0602029421	NOTCHED DISC		22	46
10	0602027340	20" X 3,5 NOTCHED DISC BLADE		00	02
11	0601029418	22" X 3,5 PLAIN DISC BLADE		00	22
11.	0601029417	PLAIN DISC BLADE		42	22
12	0601027301	20" X 3,5 PLAIN DISC BLADE		02	02
13	0503010395	1/2" X 1-1/4" BOLT		08	08
14	0503010019	1/2" SPRING WASHER		08	08
15	0503010060	1/2" NUT		08	08



Item	Code	Description	See page	QT
01	0502020313	HOUSING CM		01
02	0503010111	30210 ROLLER BEARING		02
03	0502040218	AXLE		01
04	0503010468	SEAL 01199-GB		02
05	0503030013	4.4" X 3.5" X 0.004" JOINT		02
06	0503030684	4.4" X 3.5" X 0.004" JOINT		01
07	0502020273	HOUSING CAP CM		01
08	0503011443	3/8" SPRING WASHER		04
09	0503810237	3/8 UNC X 1 C S G.5 SA BOLT		04
10	0502010070	OUTER FLANGE		01
11	0502010071	INNER FLANGE		01
12	0503010002	1800 GREASE FITTING		01



Item	Code	Description	See page	QT
01	0502040218	AXLE		01
02	0503010111	30210 ROLLER BEARING		02
03	0502010541	SEAL RETAINER		02
04	0503030026	SEAL LP JB-253		02
05	0502010071	INNER FLANGE		01
06	0502010540	HOUSING DM		01
07	0503030013	4.4" X 3.5" X 0.004" JOINT		02
08	0503030684	4.4" X 3.5" X 0.004" JOINT		01
09	0502010070	OUTER FLANGE		01
10	0502020424	HOUSING CAP		01
11	0503010134	3/8" X 1" BOLT		04
12	0503010856	OIL PLUG		02
13	3402301247	MINERAL OIL GREASE		0,11Lts



MARCHESAN



ANNOTATION

Horizontal lines for writing.





MARCHESAN

Technical Publications | Elaboration and Revision

ALESSANDRA PATRICIA KAWAHARA CARRILI

www.marchesan.com.br

