

**HINGE TYPE OFFSET DISK HARROW**

**GN 44/48D - PA**

**Code:** 0501092250  
**Series:** S-1193  
**Revision:** 00  
**Date Revision:** JUNHO/2018

# PARTS CATALOGUE



**MARCHESAN**



# PRODUCTS

Code	Description
0102110498	GN 44 X 20 X 3,50 CM PA S-1193
0102110500	GN 44 X 20 X 3,50 DM PA S-1193
0102110260	GN 44 X 22 X 3,50 CM DR PA S-1193
0102110499	GN 44 X 22 X 3,50 CM PA S-1193
0102110324	GN 44 X 22 X 3,50 CM PA DR S-1193
0102110259	GN 44 X 22 X 3,50 DM DR PA S-1193
0102110497	GN 44 X 22 X 3,50 MA PA S-1193
0102110501	GN 44 X 22 X 3,50 MT DM PA S-1193
0102110176	GN 44 X 22 X 4,50 CM PA S-1193
0102110329	GN 44 X 22 X 4,50 CM PA DR S-1193
0102110547	GN 44 X 22 X 4,50 DM PA S-1193
0102110193	GN 44 X 22 X 4,50 DM PA DR S-1193
0102110504	GN 48 X 20 X 3,50 CM PA S-1193
0102110506	GN 48 X 20 X 3,50 DM PA S-1193
0102110185	GN 48 X 20 X 3,50 DM PA DR S-1193
0102110505	GN 48 X 22 X 3,50 CM PA S-1193
0102110507	GN 48 X 22 X 3,50 DM PA S-1193
0102110503	GN 48 X 22 X 3,50 MA PA S-1193
0102110194	GN 48 X 22 X 4,50 CM PA S-1193
0102110526	GN 48 X 22 X 4,50 DM PA S-1193
0102110212	GN 48 X 22 X 4,50 MA PA S-1193
0102110179	GN 48 X 24 X 4,75 DM PA S-1193

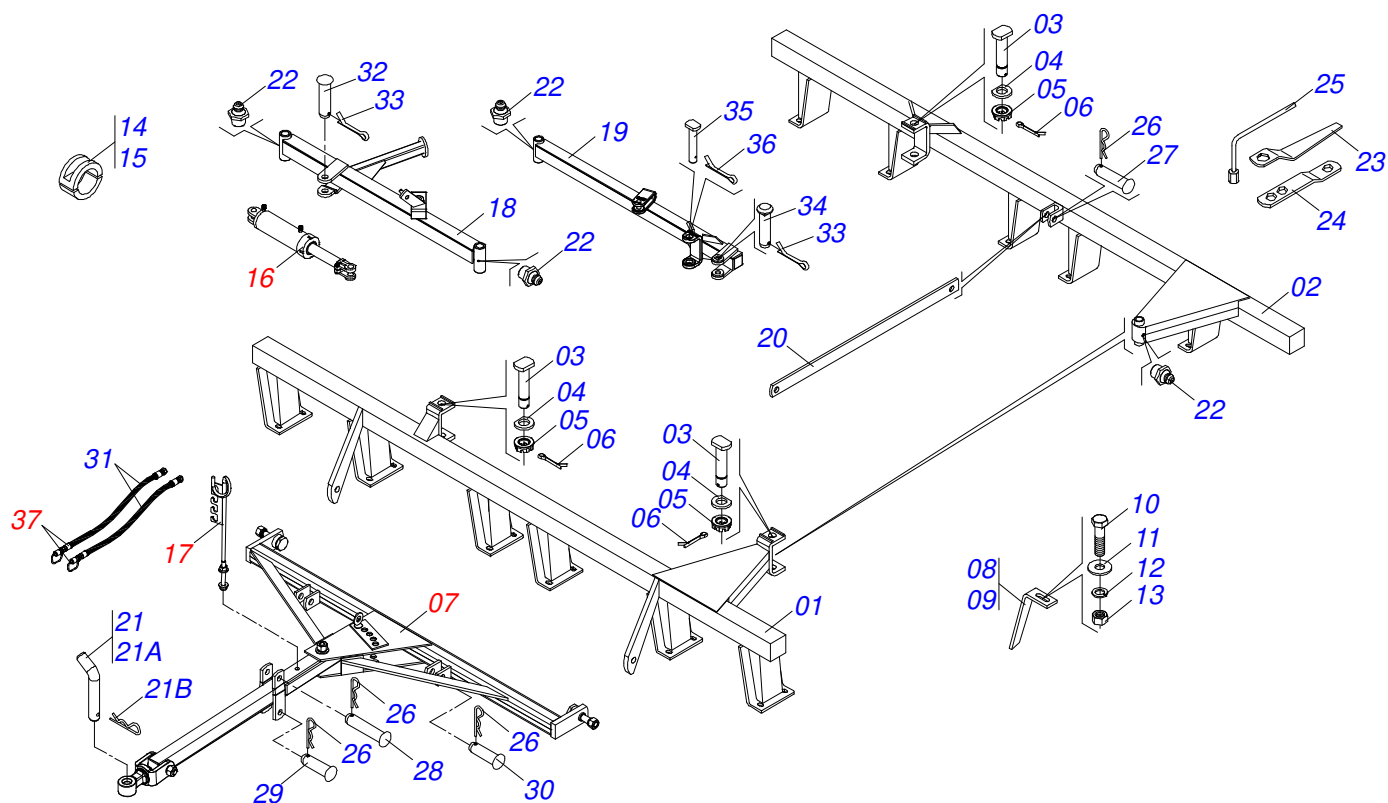
## ATTENTION: IMPORTANT

Marchesan S.A. reserves the right to improve and/or modify the technical features of its products, without obligation to do the same with those products already sold and without prior knowledge of the dealer or the consumer. The photos are only illustrative.



# INDEX

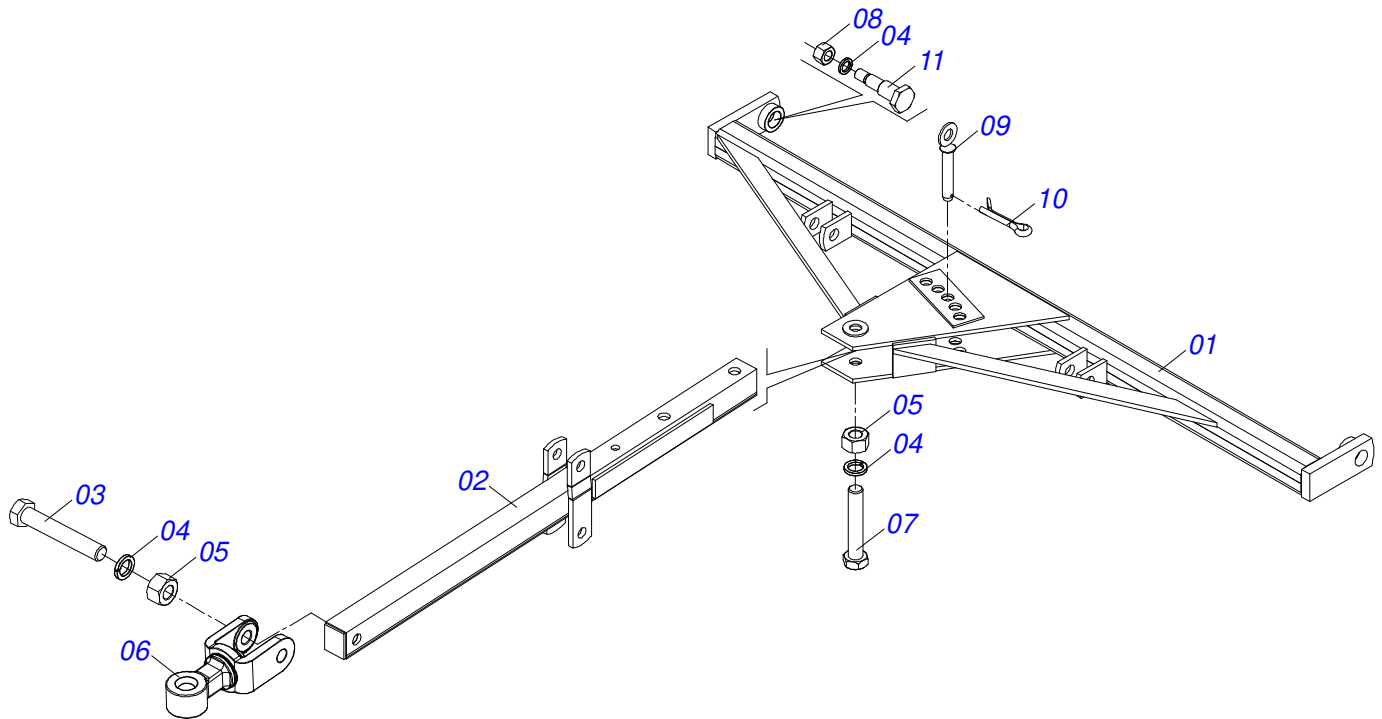
0909094227	GN 44/48D - PA	.....	1
0501043081	DRAWBAR ASSY	.....	2
0511058459	HYDRAULIC CYLINDER	.....	3
0501040257	3/4 X 1200 HOSE HOLDER A	.....	4
0501053834	MALE QUICK COUPLER	.....	5
0909094228	DISC SECTION 44/48D	.....	6
0501046913	GX 7" 1-1/4" BEARING ASSY	.....	7
0501046922	AGRICULTURAL BEARING DM OL 192.5 X 1.1/4 IMPLEMENT	.....	8
0501040131	FRICTION BEARING ASSY	.....	9



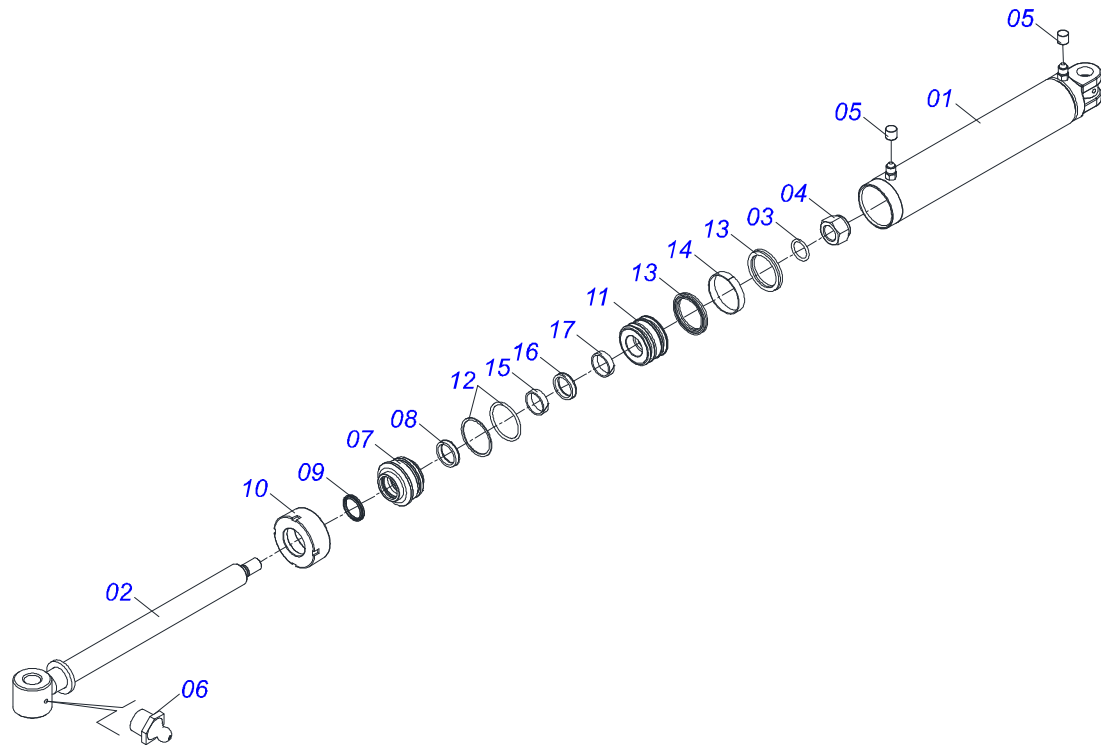
Item	Code	Description	See page	44	48
01	0501066740	164.9" FRONT FRAME		01	00
01.	0501066742	180.5" FRONT FRAME		00	01
02	0501066741	164" REAR FRAME		01	00
02.	0501066743	180" REAR FRAME		00	01
03	0531019497	1.5" X 9.2" ARTICULATED AXIS		03	03
04	0531019540	FLAT WASHER		03	03
05	0501011301	1.1/2 UNC 6FPP 2.5/16 NUT		03	03
06	0503010010	1/4" X 2.1/2" COTTERPIN		03	03
07	0501043081	DRAWBAR ASSY	2	01	01
08	0501063963	FRONT SCRAPER		13	15
09	0501063962	REAR SCRAPER		13	15
10	0503011082	C1/2" X 1.3/4" SCREW		52	60
11	0511017302	FLAT WASHER		52	60
12	0503010019	1/2" SPRING WASHER		52	60
13	0503010060	1/2" NUT		52	60
14	0501047895	ROD STOP		06	06
15	0501047885	ROD STOP		04	04
16	0511058459	HYDRAULIC CYLINDER	3	01	01
17	0501040257	3/4 X 1200 HOSE HOLDER A	4	01	01
18	0501064461	FRONT STAB BAR		01	01
19	0501064462	63" REAR STABILIZER BAR		01	01
20	0501018945	45" ATTACHMENT BAR		01	01
21	0501040343	DRAWBOLT ASSY		01	01
21A	0501010523	DRAWBOLT		01	01
21B	0503010571	1/4" X 1.1/2 COTTERPIN		01	01
22	0503010002	1800 GREASE FITTING		04	04
23	0501010198	1-1/4" CABLE FLAT WRENCH		02	02
24	0511018451	5/8" X 3/4" X 1" UNIVERSAL		01	01
25	0501068273	5/8" WRENCH		01	01
26	0503031035	HAIR PIN		05	05
27	0521010573	0.9" X 3.1" COUPLING SHAFT		01	01



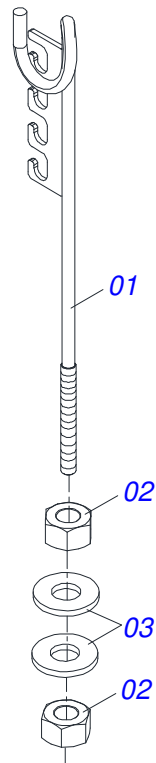
Item	Code	Description	See page	44	48
28	0521010578	COUPLING SHAFT		01	01
29	0521010579	COUPLING SHAFT		01	01
30	0521010595	1.1" X 4.3" COUPLING SHAFT		02	02
31	0501080363	3/8" X 177" TR-TM HOSE ASSY		02	02
32	0521010544	1.2" X 4.9" COUPLING SHAFT		01	01
33	0503010010	1/4" X 2.1/2" COTTERPIN		02	02
34	0521013077	1.2" X 5.7" PIVOT SHAFT		01	01
35	0521010644	1.5" X 8.4" COUPLING SHAFT		01	01
36	0503010534	3/8 X 2-1/2 COTTERPIN		01	01
37	0501053834	MALE QUICK COUPLER	5	02	02



Item	Code	Description	See page	QT
01	0501064919	OFFSET BAR FOR TRANSP HYDRAULIC		01
02	0501064878	DRAWBAR ASSY		01
03	0501010372	1" X 5-1/2" BOLT		01
04	0503011438	SPRING WASHER		04
05	0501010059	1.5/8 NUT		02
06	0521062444	TRACTOR HITCH		01
07	0501010191	1" X 6" BOLT		01
08	0503010340	1" NUT		02
09	0501068993	0.9" X 5.5" COUPLING SHAFT		01
10	0503010571	1/4" X 1.1/2 COTTERPIN		01
11	0501018191	BARRANG BOLT		02

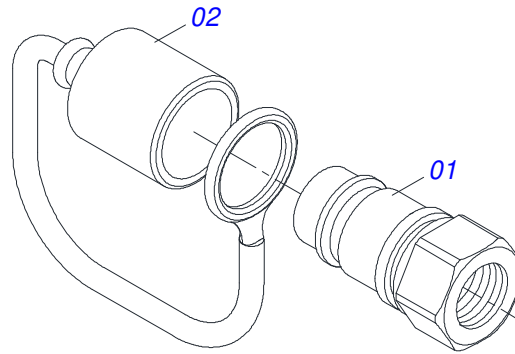


Item	Code	Description	See page	QT
01	0521061064	85,72 X 510 CYLINDER CASE		01
02	0521067533	50,80 X 697 EXTENSOR		01
03	0503010042	2-214 N 3006-9B O'RING		01
04	0503010063	1" SELF-ALIGNING NUT		01
05	0503030385	CYLINDER PLUG N-002		02
06	0503010002	1800 GREASE FITTING		02
07	0571019710	1.7" X 3.4" PISTON		01
08	0503017935	RING		01
09	0503018144	RING		01
10	0581013227	85,72 MOVEEL COVER		01
11	0581013228	50,80 X 85,72 SUPPORT RINGS		01
12	0503017940	8-337 BACK-UP RING		02
13	0503017939	2-337 N 3006-9B O' RING		02
14	0503010039	D-2000 SCRAPER RING		01
15	0503018026	1870-2000-375 B GASKET		01
16	0503018025	RING GUIDE		01
17	0503018024	RING BS		01

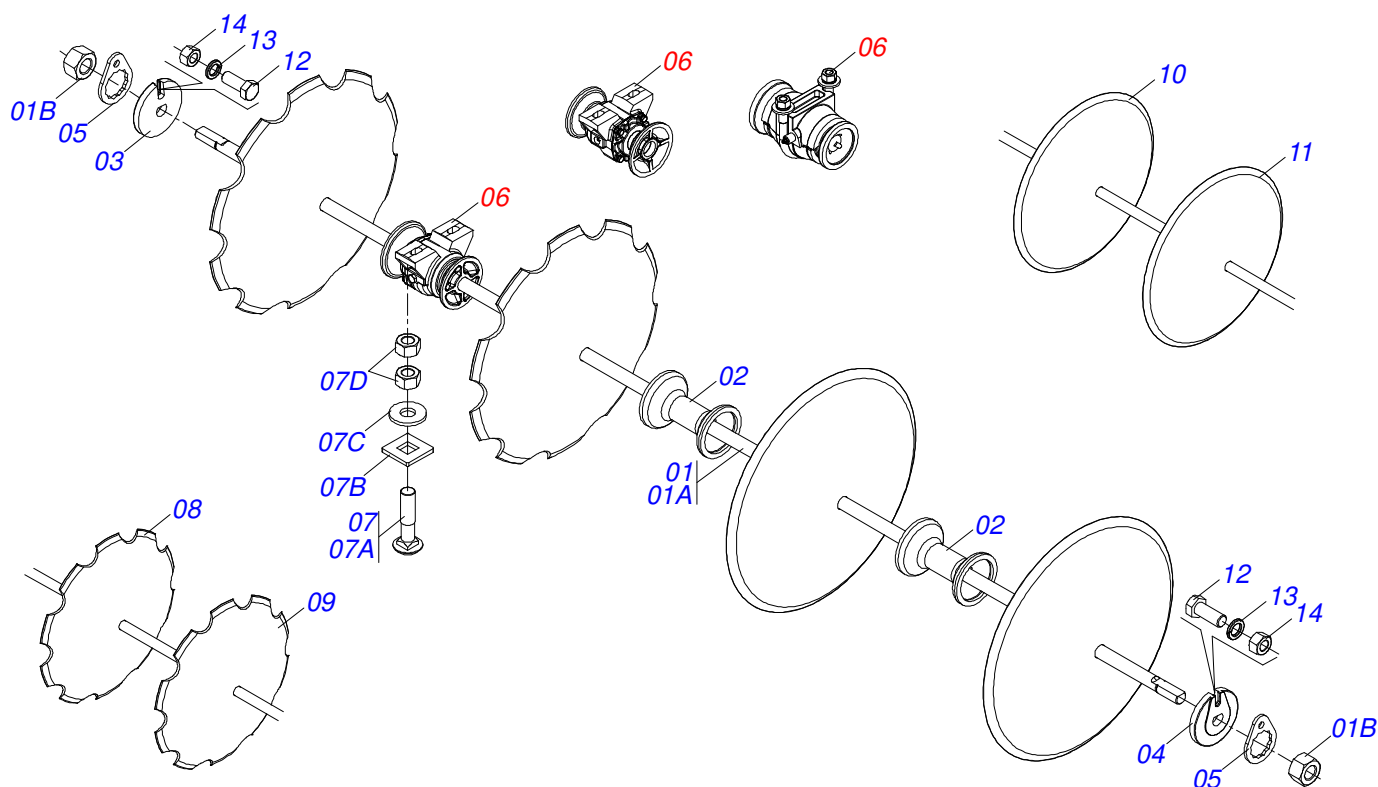


Item	Code	Description	See page	QT
01	0511067334	HOSE SOPPORT ASSY		01
02	0503010014	3/4" NUT		02
03	0501010322	FLAT WASHER		02

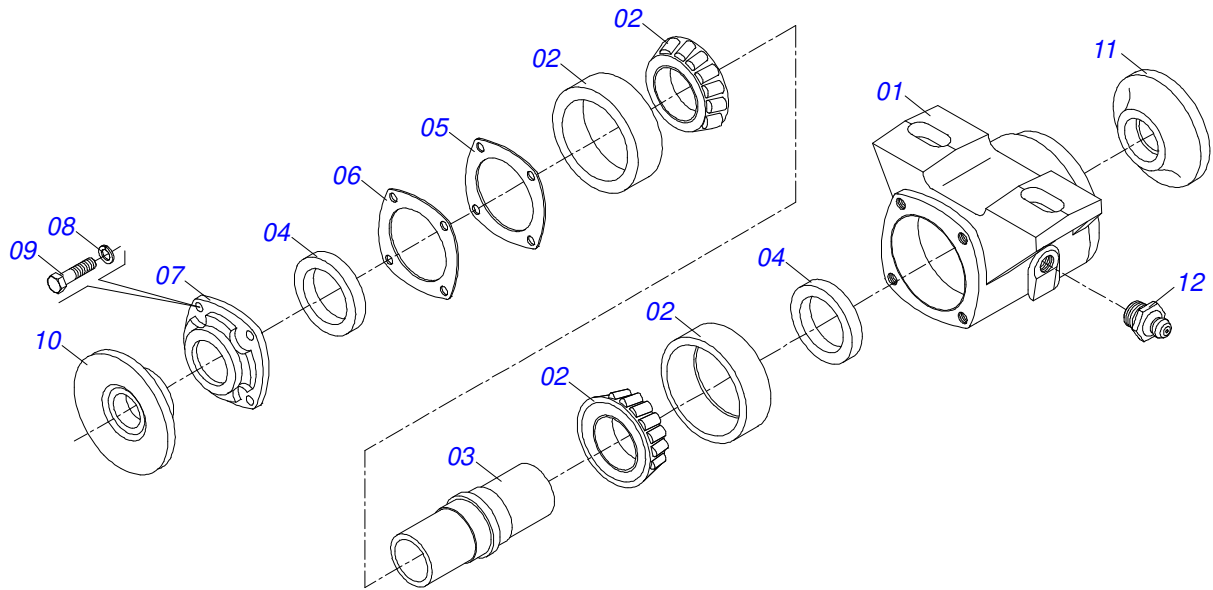




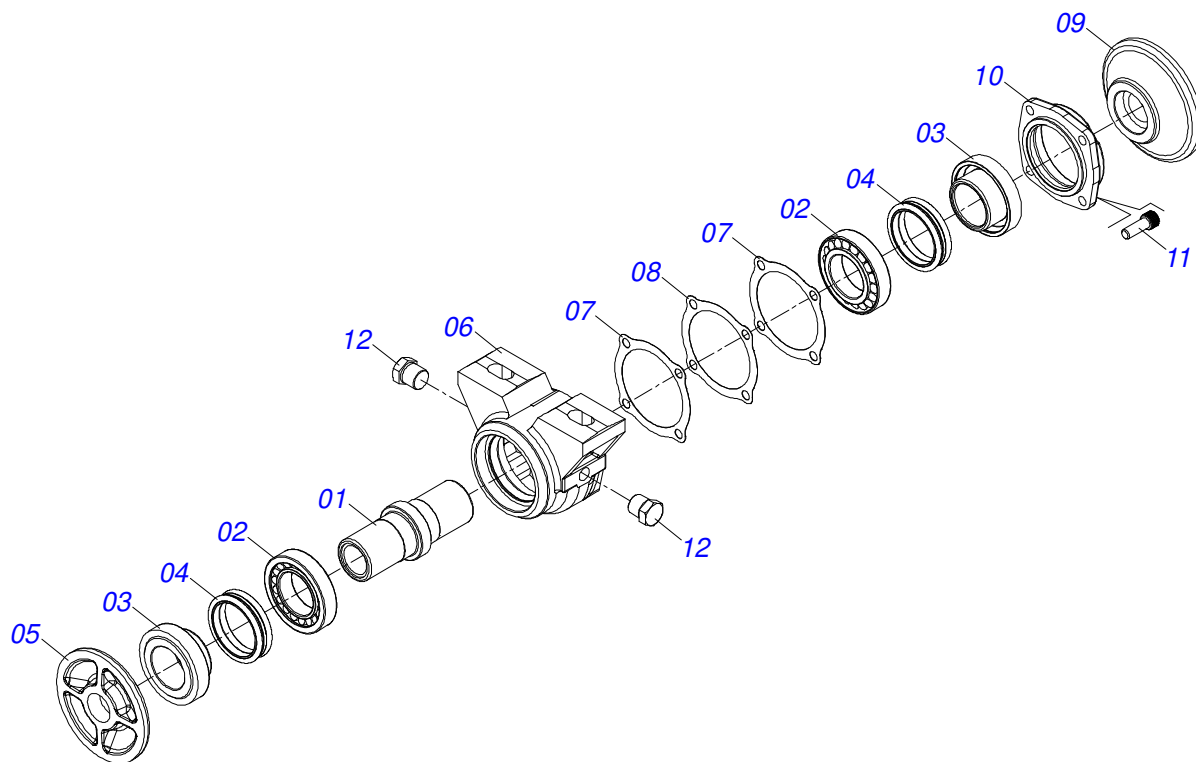
Item	Code	Description	See page	QT
01	0503011627	MALE QUICK COUPLER AGR 1/2 NPT		01
02	0503011882	MALE QUICK COUPLER CAP		01



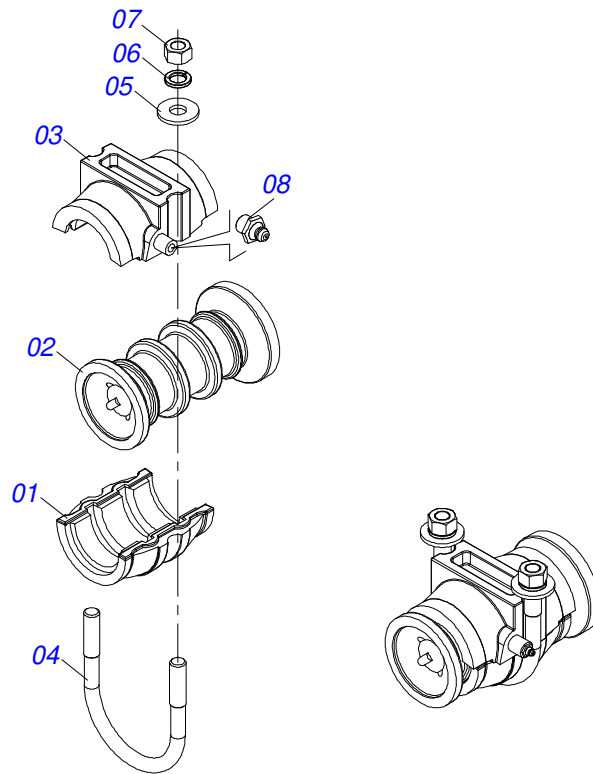
Item	Code	Description	See page	44	48
01	0501042201	1.1/4" X 1090 AXLE WITH NUTS		04	04
01A	0501016649	1.1/4" X 1090 AXLE		04	04
01B	0501010087	1.1/4" NUT		08	08
02	0502010549	7.6" X 1-1/4" SPACER		12	12
03	0502010834	1-1/4" INNER AXLE WASHER		04	04
04	0502010835	1-1/4" EXTERNAL AXLE WASHER		04	04
05	0501010455	1.1/4" NUT LOCK		16	16
06	0501046913	GX 7" 1-1/4" BEARING ASSY	7	08	08
06.	0501046922	AGRICULTURAL BEARING DM OL 192.5 X 1.1/4 8 IMPLEMENT		08	08
06..	0501040131	FRICTION BEARING ASSY	9	08	08
07	0501058802	5/8 UNC X 2.3/4 BOLT ASSY		32	32
07A	0503015154	5/8" X 2.3/4" BOLT		32	32
07B	0501010947	5/8 NUT LOCK		32	32
07C	0501012140	FLAT WASHER		32	32
07D	0503010013	5/8" NUT		64	64
08	0602030415	24" X 4,75 NOTCHED DISC BLADE		00	24
08.	0602029420	22" X 3,5 NOTCHED DISC BLADE		22	24
08..	0602029421	NOTCHED DISC		22	24
09	0602027340	20" X 3,5 NOTCHED DISC BLADE		22	24
09.	0602027342	DR20X4,5 C57AF02FR1.5/16 10R TATU		20	24
09..	0602025259	DR18X3 C45AF02FR1.5/16 9REC TATU		00	02
10	0601031133	24" X 4,75 PLAIN DISC BLADE		00	24
10.	0601029417	PLAIN DISC BLADE		20	22
10..	0601029418	22" X 3,5 PLAIN DISC BLADE		20	22
10...	0601029422	BLADE DISC ASSY		00	02
11	0601027304	PLAIN DISC BLADE		00	22
11.	0601027301	20" X 3,5 PLAIN DISC BLADE		20	22
11..	0601025251	18" X 3,5 PLAIN DISC BLADE		02	02
12	0503010395	1/2" X 1-1/4" BOLT		16	16
13	0503010019	1/2" SPRING WASHER		16	16
14	0503010060	1/2" NUT		16	16



Item	Code	Description	See page	QT
01	0502020313	HOUSING CM		01
02	0503010111	30210 ROLLER BEARING		02
03	0502040218	AXLE		01
04	0503010468	SEAL 01199-GB		02
05	0503030013	4.4" X 3.5" X 0.004" JOINT		02
06	0503030684	4.4" X 3.5" X 0.004" JOINT		01
07	0502020273	HOUSING CAP CM		01
08	0503011443	3/8" SPRING WASHER		04
09	0503810237	3/8 UNC X 1 C S G.5 SA BOLT		04
10	0502010070	OUTER FLANGE		01
11	0502010071	INNER FLANGE		01
12	0503010002	1800 GREASE FITTING		01



Item	Code	Description	See page	QT
01	0502040218	AXLE		01
02	0503010111	30210 ROLLER BEARING		02
03	0502010541	SEAL RETAINER		02
04	0503030026	SEAL LP JB-253		02
05	0502010071	INNER FLANGE		01
06	0502010540	HOUSING DM		01
07	0503030013	4.4" X 3.5" X 0.004" JOINT		02
08	0503030684	4.4" X 3.5" X 0.004" JOINT		01
09	0502010070	OUTER FLANGE		01
10	0502020424	HOUSING CAP		01
11	0503010134	3/8" X 1" BOLT		04
12	0503010856	OIL PLUG		02
13	3402301247	MINERAL OIL GREASE		0,11Lts



Item	Code	Description	See page	QT
01	0502030006	LOWER COVER HOUSING		01
02	0502030005	REEL		01
03	0502030004	UPPER COVER HOUSING		01
04	0521012326	5/8 UNC X 138 X 117 FASTENER		01
05	0501012140	FLAT WASHER		02
06	0503010027	5/8" SPRING WASHER		02
07	0503010013	5/8" NUT		02
08	0503010002	1800 GREASE FITTING		01





**MARCHESAN**

**Technical Publications | Elaboration and Revision**

ALESSANDRA PATRICIA KAWAHARA CARRILI

[www.marchesan.com.br](http://www.marchesan.com.br)

