

HINGE TYPE OFFSET DISK HARROW

GN 24/28/32/36/40/48/52/56/60D

Code: 0501092247
Series: S-0590
Revision: 00
Date Revision: FEVEREIRO/2023

PARTS CATALOGUE



MARCHESAN

PRODUCTS

Code	Description	
0102110407	GN 24 X 20 X 3,50 CM	S-0590
0102110409	GN 24 X 20 X 3,50 DM	S-0590
0102110209	GN 24 X 20 X 3,50 DM DR	S-0590
0102110405	GN 24 X 20 X 3,50 MA	S-0590
0102110198	GN 24 X 20 X 3,50 MA DR	S-0590
0102110408	GN 24 X 22 X 3,50 CM	S-0590
0102110551	GN 24 X 22 X 3,50 CM DR	S-0590
0102110410	GN 24 X 22 X 3,50 DM	S-0590
0102110406	GN 24 X 22 X 3,50 MA	S-0590
0102110562	GN 24 X 22 X 4,50 CM MT	S-0590
0102110554	GN 24 X 22 X 4,50 E1.1/2 DM DR	S-0590
0102110158	GN 24 X 24 X 4,75 CM	S-0590
0102110159	GN 24 X 24 X 4,75 DM	S-0590
0102110213	GN 24 X 24 X 4,75 E1.1/2 DM	S-0590
0102110239	GN 24X 20 X 3,50 CM DR	S-0590
0102110413	GN 28 X 20 X 3,50 CM	S-0590
0102110245	GN 28 X 20 X 3,50 CM DR	S-0590
0102110415	GN 28 X 20 X 3,50 DM	S-0590
0102110565	GN 28 X 20 X 3,50 DM DL	S-0590
0102110556	GN 28 X 20 X 3,50 DM DR	S-0590
0102110411	GN 28 X 20 X 3,50 MA	S-0590
0102110246	GN 28 X 20 X 4,50 CM	S-0590
0102110262	GN 28 X 20 X 4,50 CM DR	S-0590
0102110414	GN 28 X 22 X 3,50 CM	S-0590
0102110169	GN 28 X 22 X 3,50 CM DR	S-0590
0102110416	GN 28 X 22 X 3,50 DM	S-0590
0102110237	GN 28 X 22 X 3,50 DM DR	S-0590
0102110412	GN 28 X 22 X 3,50 MA	S-0590
0102110558	GN 28 X 22 X 4,5 CM MT	S-0590
0102110555	GN 28 X 22 X 4,50 CM DR	S-0590

ATTENTION: IMPORTANT

Marchesan S.A. reserves the right to improve and/or modify the technical features of its products, without obligation to do the same with those products already sold and without prior knowledge of the dealer or the customer. The photos are only illustrative.

PRODUCTS

0102110546	GN 28 X 22 X 4,50 DM	S-0590
0102110571	GN 28 X 22 X 4,50 DM DR	S-0590
0102110420	GN 32 X 20 X 3,50 CM	S-0590
0102110553	GN 32 X 20 X 3,50 CM DL	S-0590
0102110335	GN 32 X 20 X 3,50 CM DR	S-0590
0102110422	GN 32 X 20 X 3,50 DM	S-0590
0102110244	GN 32 X 20 X 3,50 DM DR	S-0590
0102110418	GN 32 X 20 X 3,50 MA	S-0590
0102110337	GN 32 X 20 X 4,00 CM	S-0590
0102110251	GN 32 X 20 X 4,00 DM	S-0590
0102110561	GN 32 X 20 X 4,5 CM MT	S-0590
0102110339	GN 32 X 20 X 4,5 DM MT	S-0590
0102110421	GN 32 X 22 X 3,50 CM	S-0590
0102110175	GN 32 X 22 X 3,50 CM DR	S-0590
0102110423	GN 32 X 22 X 3,50 DM	S-0590
0102110189	GN 32 X 22 X 3,50 DM DR	S-0590
0102110419	GN 32 X 22 X 3,50 MA	S-0590
0102110572	GN 32 X 22 X 4,5 DM DL	S-0590
0102110263	GN 32 X 22 X 4,5 DM DR	S-0590
0102110545	GN 32 X 22 X 4,50 CM	S-0590
0102110417	GN 32 X 22 X 4,50 CM DR	S-0590
0102110182	GN 32 X 22 X 4,50 DM MT	S-0590
0102110303	GN 32 X 22 X 4,50 MA	S-0590
0102110426	GN 36 X 20 X 3,50 CM	S-0590
0102110255	GN 36 X 20 X 3,50 CM DR	S-0509
0102110428	GN 36 X 20 X 3,50 DM	S-0590
0102110191	GN 36 X 20 X 3,50 DM DR	S-0590
0102110424	GN 36 X 20 X 3,50 MA	S-0590
0102110201	GN 36 X 20 X 4,00 CM	S-0590
0102110190	GN 36 X 20 X 4,00 DM	S-0590
0102110186	GN 36 X 20 X 4,50 CM	S-0590

ATTENTION: IMPORTANT

Marchesan S.A. reserves the right to improve and/or modify the technical features of its products, without obligation to do the same with those products already sold and without prior knowledge of the dealer or the customer. The photos are only illustrative.

PRODUCTS

0102110427	GN 36 X 22 X 3,50 CM	S-0590
0102110174	GN 36 X 22 X 3,50 CM DR	S-0590
0102110429	GN 36 X 22 X 3,50 DM	S-0590
0102110168	GN 36 X 22 X 3,50 DM DR	S-0590
0102110425	GN 36 X 22 X 3,50 MA	S-0590
0102110559	GN 36 X 22 X 4,5 CM DR	S-0590
0102110160	GN 36 X 22 X 4,50 CM	S-0590
0102110549	GN 36 X 22 X 4,50 DM DR	S-0590
0102110550	GN 36 X 22 X 4,50 DM DR	S-0590
0102110180	GN 36 X 22 X 4,50 DM MT	S-0590
0102110432	GN 40 X 20 X 3,50 CM	S-0590
0102110434	GN 40 X 20 X 3,50 DM	S-0590
0102110430	GN 40 X 20 X 3,50 MA	S-0590
0102110433	GN 40 X 22 X 3,50 CM	S-0590
0102110243	GN 40 X 22 X 3,50 CM DR	S-0590
0102110435	GN 40 X 22 X 3,50 DM	S-0590
0102110172	GN 40 X 22 X 3,50 DM DR	S-0590
0102110431	GN 40 X 22 X 3,50 MA	S-0590
0102110187	GN 40 X 22 X 4,00 DM	S-0590
0102110302	GN 40 X 22 X 4,00 DM DR	S-0590
0102110287	GN 40 X 22 X 4,50 CM	S-0590
0102110569	GN 40 X 22 X 4,50 CM DR	S-0590
0102110528	GN 40 X 22 X 4,50 DM	S-0590
0102110552	GN 40 X 22 X 4,50 DM DR	S-0590
0102110156	GN 48 X 20 X 5/32 DM MT	
0102110450	GN 52 X 20 X 3,50 CM	S-0590
0102110452	GN 52 X 20 X 3,50 DM	S-0590
0102110448	GN 52 X 20 X 3,50 MA	S-0590
0102110451	GN 52 X 22 X 3,50 CM	S-0590
0102110453	GN 52 X 22 X 3,50 DM	S-0590
0102110348	GN 52 X 22 X 3,50 DM DL	S-0590

ATTENTION: IMPORTANT

Marchesan S.A. reserves the right to improve and/or modify the technical features of its products, without obligation to do the same with those products already sold and without prior knowledge of the dealer or the customer. The photos are only illustrative.



PRODUCTS

0102110449	GN 52 X 22 X 3,50 MA	S-0590
0102110532	GN 52 X 22 X 4,50 CM	S-0590
0102110534	GN 52 X 22 X 4,50 DM	S-0590
0102110456	GN 56 X 20 X 3,50 CM	S-0590
0102110458	GN 56 X 20 X 3,50 DM	S-0590
0102110457	GN 56 X 22 X 3,50 CM	S-0590
0102110459	GN 56 X 22 X 3,50 DM	S-0590
0102110538	GN 56 X 22 X 4,50 X 3,50 DM	S-0590
0102110464	GN 60 X 20 X 3,50 DM	S-0590
0102110465	GN 60 X 22 X 3,50 DM	S-0590
0102110170	GN 60 X 22 X 3,50 DM DR	S-0590
0102110542	GN 60 X 22 X 4,50 DM	S-0590
0102110548	GN 60 X 22 X 4,50 DM MT	S-0590

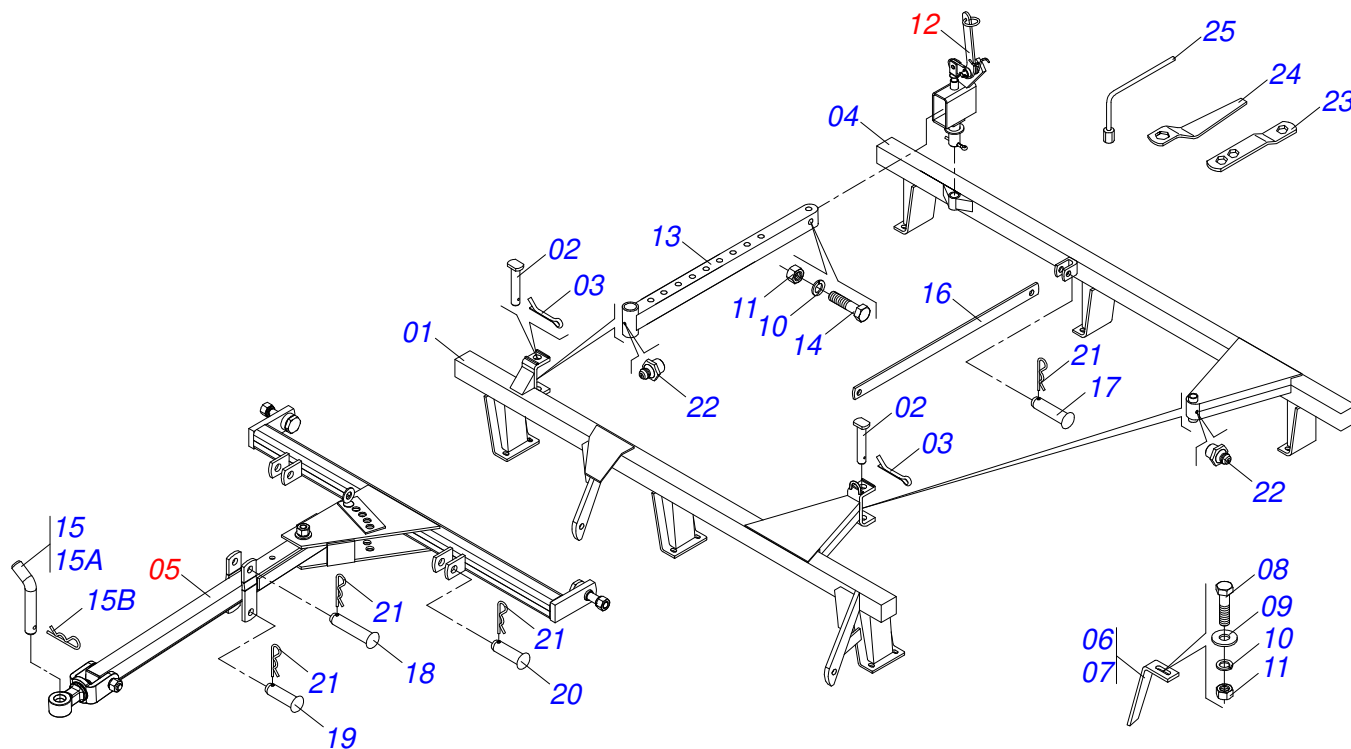
ATTENTION: IMPORTANT

Marchesan S.A. reserves the right to improve and/or modify the technical features of its products, without obligation to do the same with those products already sold and without prior knowledge of the dealer or the customer. The photos are only illustrative.

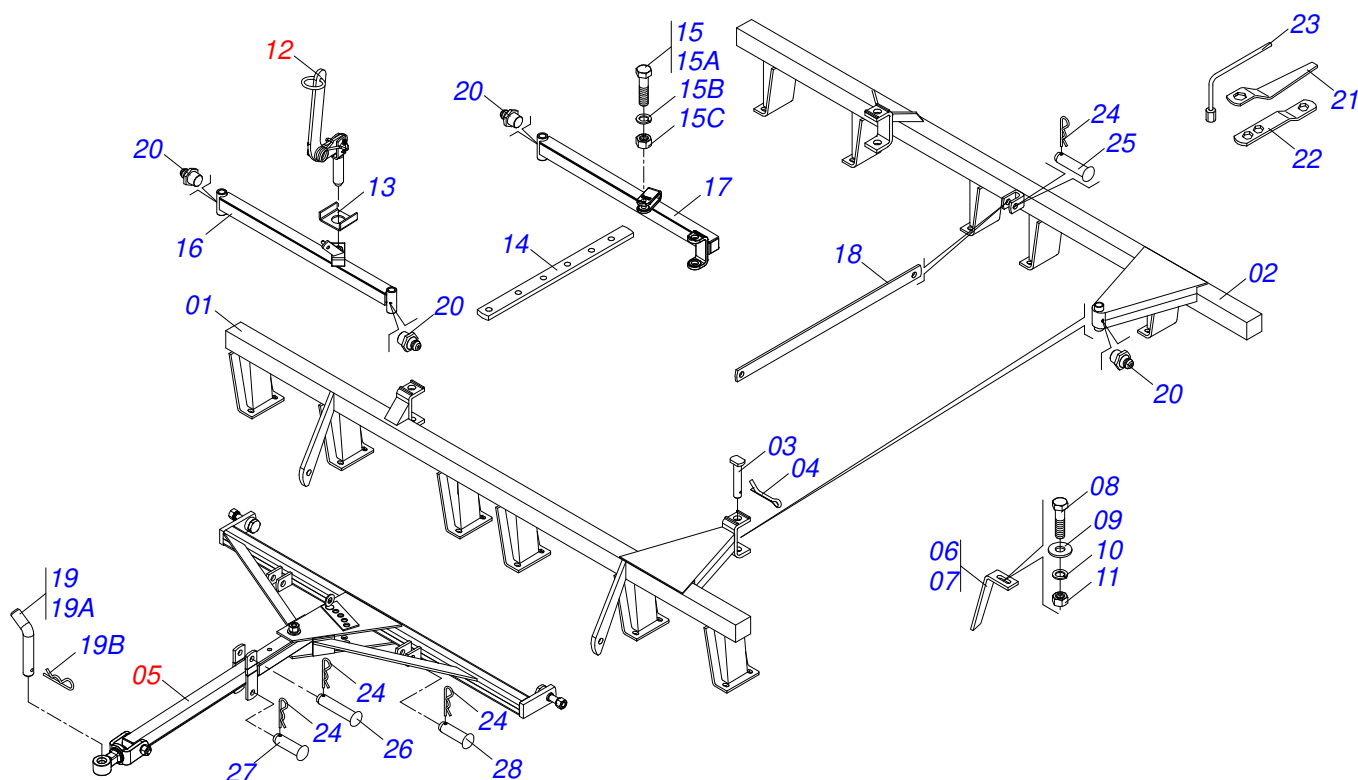


INDEX

0909094215	ASSY FRAME 24/28/32D	1
0909094214	ASSY FRAME 36/40/48D	2
0909095608	ASSY FRAME 52/56/60D	3
0501043377	DRAWBAR ASSY	4
0501043081	DRAWBAR ASSY	5
0501043082	DRAWBAR ASSY	6
0501043278	ADJUSTMENT ASSY	7
0501047858	ADJUSTMENT LEVER ASSY	8
0909094219	DISC SECTION 24/28/32/36/40/48D	9
0909095610	DISC SECTION 52/56/60D	10
0501046913	GX 7" 1-1/4" BEARING ASSY	11
0501046922	AGRICULTURAL BEARING DM OL 192.5 X 1.1/4 IMPLEMENT	12
0501040131	FRICITION BEARING ASSY	13



Item	Code	Description	See page	24	28	32
01	0501066932	FRONT FRAME 24		01	00	00
01.	0501066933	FRONT FRAME 28		00	01	00
01..	0501066934	FRONT FRAME 32		00	00	01
02	0531019497	1.5" X 9.2" ARTICULATED AXIS		02	02	02
03	0503010534	3/8 X 2-1/2 COTTERPIN		02	02	02
04	0501066935	REAR FRAME 24		01	00	00
04.	0501066936	REAR FRAME 28		00	01	00
04..	0501066937	REAR FRAME		00	00	01
05	0501043377	DRAWBAR ASSY	4	01	01	01
06	0501063963	FRONT SCRAPER		08	09	11
07	0501063962	REAR SCRAPER		08	09	11
08	0503011082	C1/2" X 1.3/4" SCREW		16	18	22
09	0511017302	FLAT WASHER 13,50 X 32,50 X 3,0 ZN		16	18	22
10	0503010019	1/2" SPRING WASHER		16	18	22
11	0503010060	1/2 UNC G.5 ZN HEX NUT		16	18	22
12	0501043278	ADJUSTMENT ASSY	7	01	01	01
13	0501065295	1945 ADJUSTMENT BAR		01	01	01
14	0503010741	1/2" X 2-3/4" BOLT		01	01	01
15	0501040343	DRAWBOLT ASSY		01	01	01
15A	0521010453	AXI SHAFT		01	01	01
15B	0503031035	HITCH PIN CLIP		01	01	01
16	0501018945	45" ATTACHMENT BAR		01	01	01
17	0521010573	0.9" X 3.1" COUPLING SHAFT		01	01	01
18	0521010578	COUPLING SHAFT		01	01	01
19	0521010579	COUPLING SHAFT		01	01	01
20	0521010595	1.1" X 4.3" COUPLING SHAFT		02	02	02
21	0503031035	HITCH PIN CLIP		05	05	05
22	0503010002	1800 GREASE FITTING		07	07	07
23	0511018451	5/8" X 3/4" X 1" UNIVERSAL		01	01	01
24	0501010198	1-1/4" CABLE FLAT WRENCH		02	02	02
25	0501068273	5/8" WRENCH		01	01	01



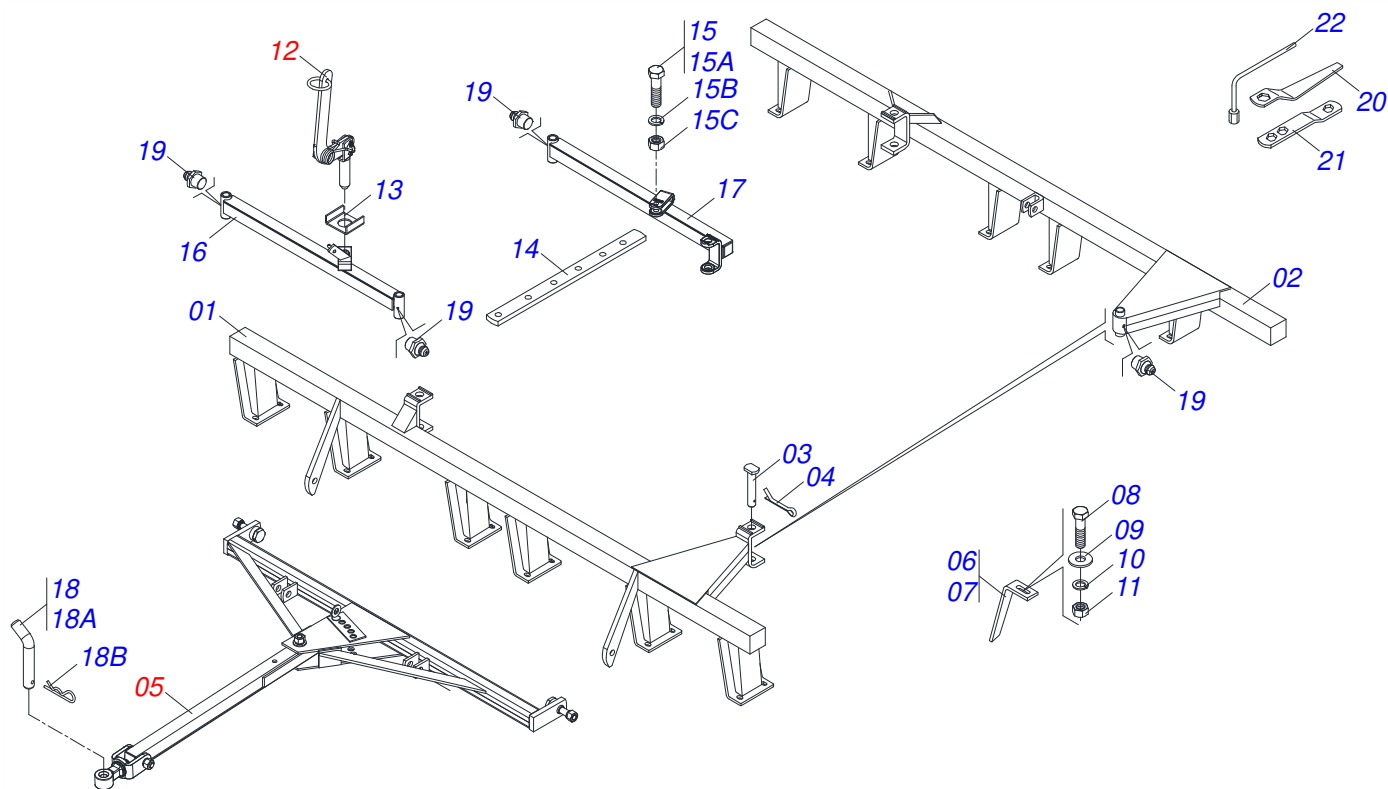
Item	Code	Description	See page	36	40	48
01	0501064670	FRONT FRAME 36		01	00	00
01.	0501064673	FRONT FRAME 40		00	01	00
01..	0501063223	FRONT FRAME 48		00	00	01
02	0501064624	REAR FRAME 36		01	00	00
02.	0501064616	REAR FRAME 40		00	01	00
02..	0501063224	REAR FRAME 48		00	00	01
03	0521010644	1.5" X 8.4" COUPLING SHAFT		04	04	04
04	0503010534	3/8 X 2-1/2 COTTERPIN		04	04	04
05	0501043081	DRAWBAR ASSY	5	01	01	00
05.	0501040106	DRAWBAR ASSY		00	00	01
06	0501063963	FRONT SCRAPER		11	13	00
06.	0501062929	FRONT SCRAPER		00	00	24
07	0501063962	REAR SCRAPER		11	13	00
07.	0501062930	REAR SCRAPER		00	00	24
08	0503011082	C1/2" X 1.3/4" SCREW		44	52	68
09	0511017302	FLAT WASHER 13,50 X 32,50 X 3,0 ZN		44	52	68
10	0503010019	1/2" SPRING WASHER		44	52	68
11	0503010060	1/2 UNC G.5 ZN HEX NUT		44	52	68
12	0501047858	ADJUSTMENT LEVER ASSY	8	01	01	01
13	0501011649	U 1.2" X 3.1" X 3/16" BAR		01	01	01
14	0501064197	ADJUSTMENT BAR		01	01	01
15	0501040852	1" X 4" ASSY BOLT		01	01	01
15A	0503011432	BOLT		01	01	01
15B	0503011438	SPRING WASHER		01	01	01
15C	0501010059	1.5/8 NUT		01	01	01
16	0501064509	FRONT STABILIZER BAR		01	01	00
16.	0501060590	FRONT STABILIZER BAR		00	00	01
17	0501064508	REAR STABILIZER BAR 1360		01	01	00
17.	0501060591	REAR STABILIZER BAR		00	00	01
18	0501018945	45" ATTACHMENT BAR		01	01	00
19	0501040343	DRAWBOLT ASSY		01	01	01



ASSY FRAME 36/40/48D

0909094214

Item	Code	Description	See page	36	40	48
19A	0501010523	DRAWBOLT		01	01	01
19B	0503010571	1/4" X 1.1/2 COTTERPIN		01	01	01
20	0503010002	1800 GREASE FITTING		04	04	04
21	0501010198	1-1/4" CABLE FLAT WRENCH		02	02	02
22	0511018451	5/8" X 3/4" X 1" UNIVERSAL		01	01	01
23	0501068273	5/8" WRENCH		01	01	01
24	0503031035	HITCH PIN CLIP		05	05	00
25	0521010573	0.9" X 3.1" COUPLING SHAFT		01	01	00
26	0521010578	COUPLING SHAFT		01	01	00
27	0521010579	COUPLING SHAFT		01	01	00
28	0521010595	1.1" X 4.3" COUPLING SHAFT		01	02	00

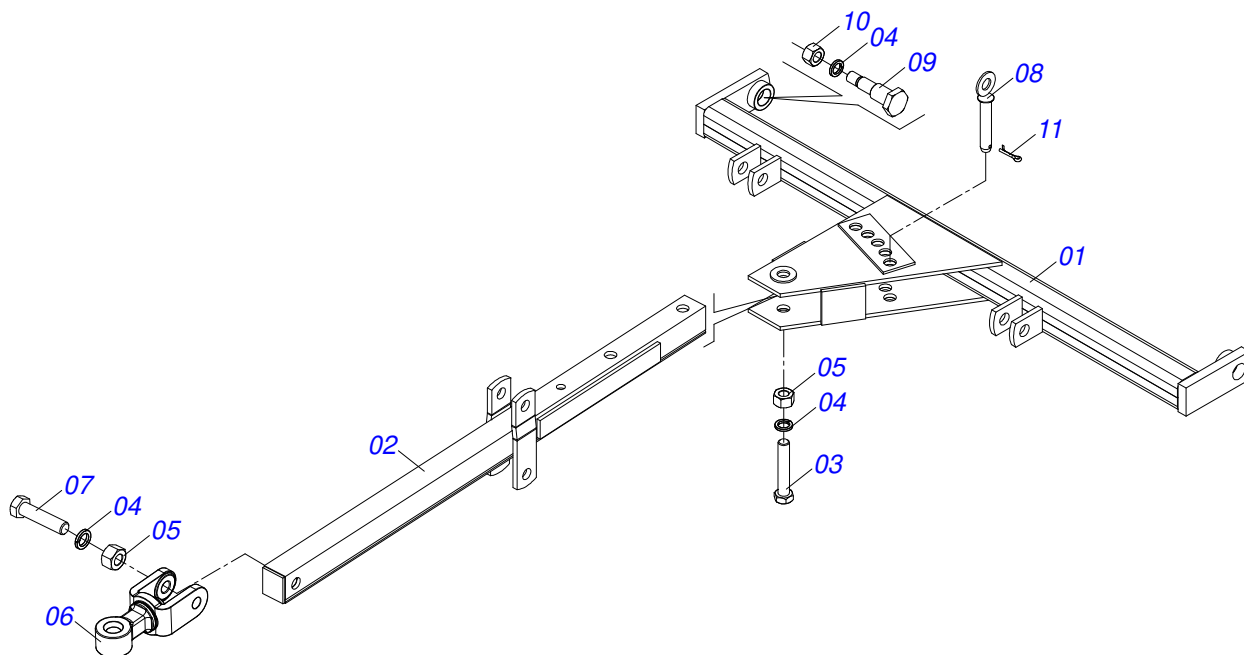


Item	Code	Description	See page	52	56	60
01	0501064679	FRONT FRAME 52		01	00	00
01.	0501064680	FRONT FRAME 56		00	01	00
01..	0501064683	FRONT FRAME 60		00	00	01
02	0501064611	REAR FRAME 52		01	00	00
02.	0501064619	REAR FRAME 56		00	01	00
02..	0501064614	REAR FRAME 60		00	00	01
03	0521010644	1.5" X 8.4" COUPLING SHAFT		04	04	04
04	0503010534	3/8 X 2-1/2 COTTERPIN		04	04	04
05	0501043082	DRAWBAR ASSY	6	01	01	01
06	0501063963	FRONT SCRAPER		17	19	21
07	0501063962	REAR SCRAPER		17	19	21
08	0503011082	C1/2" X 1.3/4" SCREW		68	76	92
09	0511017302	FLAT WASHER 13,50 X 32,50 X 3,0 ZN		68	76	92
10	0503010019	1/2" SPRING WASHER		68	76	92
11	0503010060	1/2 UNC G.5 ZN HEX NUT		68	76	92
12	0501047858	ADJUSTMENT LEVER ASSY	8	01	01	01
13	0501011649	U 1.2" X 3.1" X 3/16" BAR		01	01	01
14	0501064197	ADJUSTMENT BAR		01	01	01
14.	0501063467	ADJUSTMENT BAR		00	01	01
15	0501040852	1" X 4" ASSY BOLT		01	01	01
15A	0503011432	BOLT		01	01	01
15B	0503011438	SPRING WASHER		01	01	01
15C	0501010059	1.5/8 NUT		01	01	01
16	0501064509	FRONT STABILIZER BAR		01	01	01
17	0501064508	REAR STABILIZER BAR 1360		01	01	01
18	0501040343	DRAWBOLT ASSY		01	01	01
18A	0501010523	DRAWBOLT		01	01	01
18B	0503010571	1/4" X 1.1/2 COTTERPIN		01	01	01
19	0503010002	1800 GREASE FITTING		01	01	01
20	0501010198	1-1/4" CABLE FLAT WRENCH		01	01	01
21	0511018451	5/8" X 3/4" X 1" UNIVERSAL		01	01	01



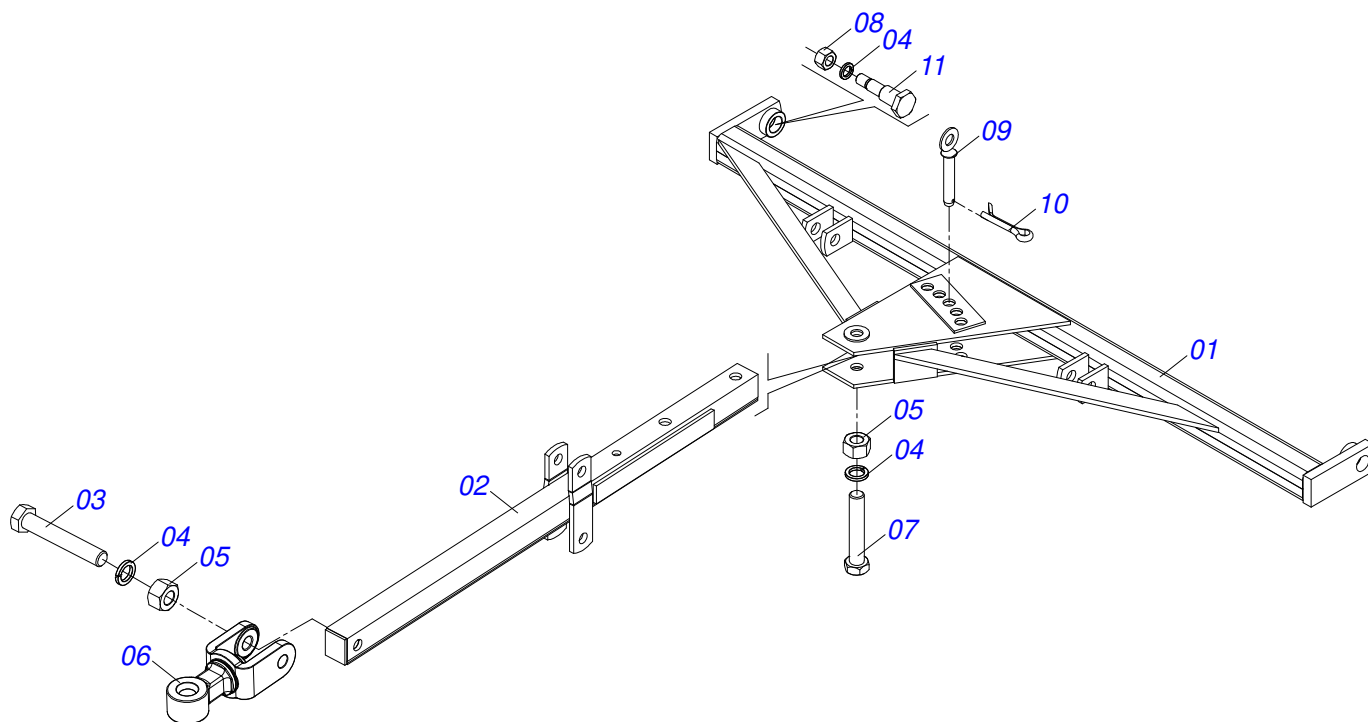
Item	Code	Description	See page	52	56	60
22	0501068273	5/8" WRENCH		01	01	01

DRAWBAR ASSY



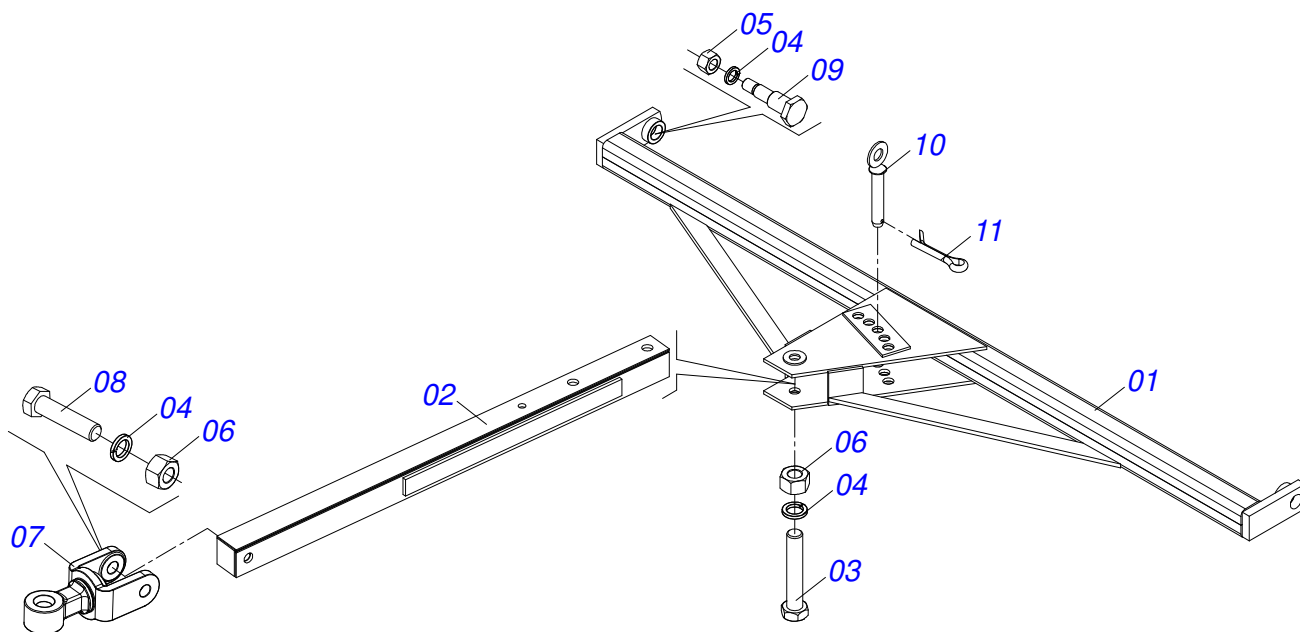
Item	Code	Description	See page	QT
01	0501064917	58.5" OFFSET BAR		01
02	0501064878	DRAWBAR ASSY		01
03	0501010372	1" X 5-1/2" BOLT		01
04	0503011438	SPRING WASHER		04
05	0501010059	1.5/8 NUT		02
06	0521062444	TRACTOR HITCH		01
07	0501010191	1" X 6" BOLT		01
08	0501068993	0.9" X 5.5" COUPLING SHAFT		01
09	0501018191	BARRANG BOLT		02
10	0503010340	1" NUT		02
11	0503010571	1/4" X 1.1/2 COTTERPIN		01

DRAWBAR ASSY

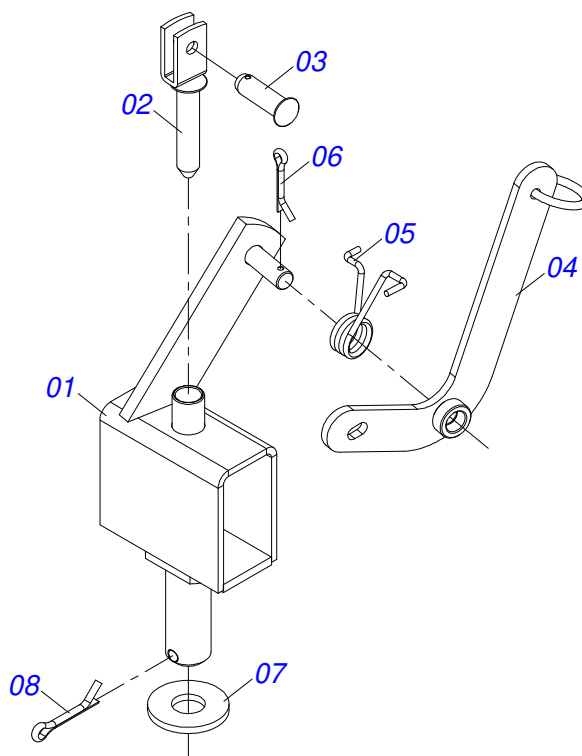


Item	Code	Description	See page	QT
01	0501064919	OFFSET BAR FOR TRANSP HYDRAULIC		01
02	0501064878	DRAWBAR ASSY		01
03	0501010372	1" X 5-1/2" BOLT		01
04	0503011438	SPRING WASHER		04
05	0501010059	1.5/8 NUT		02
06	0521062444	TRACTOR HITCH		01
07	0501010191	1" X 6" BOLT		01
08	0503010340	1" NUT		02
09	0501068993	0.9" X 5.5" COUPLING SHAFT		01
10	0503010571	1/4" X 1.1/2 COTTERPIN		01
11	0501018191	BARRANG BOLT		02

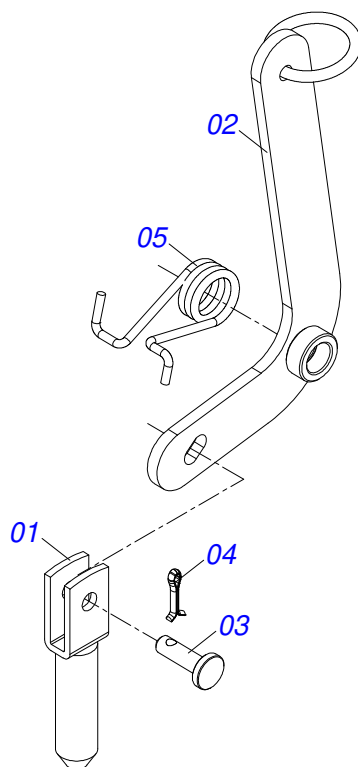
DRAWBAR ASSY



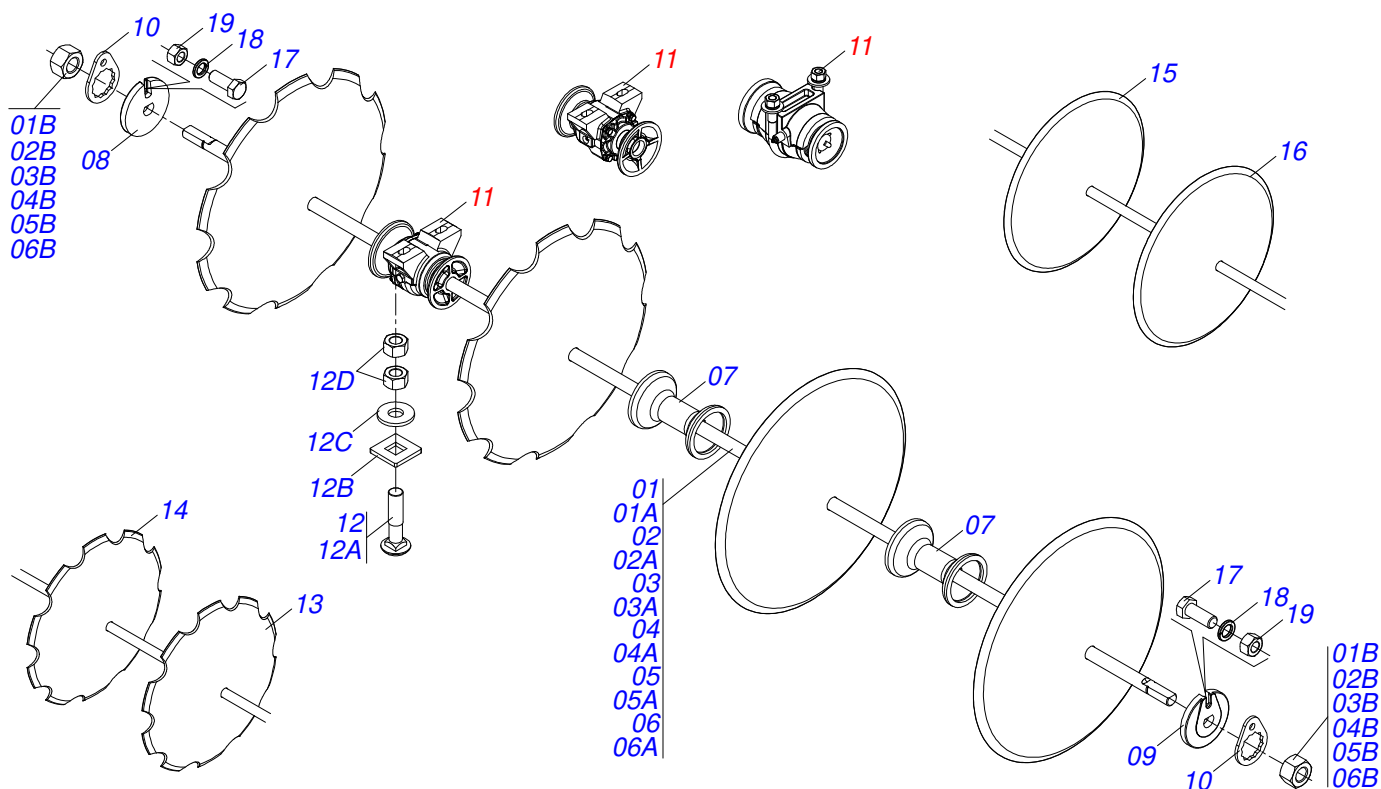
Item	Code	Description	See page	QT
01	0501064920	89.4" OFFSET BAR		01
02	0501060188	DRAWBAR ASSY		01
03	0501010191	1" X 6" BOLT		01
04	0503010012	1" SPRING WASHER		04
05	0503010340	1" NUT		02
06	0501010059	1.5/8 NUT		02
07	0521061775	TRACTOR HITCH		01
08	0501010060	1" X 6-1/2" BOLT		01
09	0501018191	BARRANG BOLT		02
10	0501068993	0.9" X 5.5" COUPLING SHAFT		01
11	0503010523	1/4" X 2" COTTERPIN		01



Item	Code	Description	See page	QT
01	0501063302	ADJUSTMENT		01
02	0501063078	ADJUSTMENT LOCK		01
03	0521010624	0.4" X 1.5" COUPLING SHAFT		01
04	0501068981	ADJUSTMENT LEVER		01
05	0503030025	1.4" X 0.2" TORSION SPRING		01
06	0503010071	3/16" X 1" COTTERPIN		02
07	0501012916	FLAT WASHER 40 X 66 X 4,75 ZN		01
08	0503010073	3/8 X 3-1/2 COTTERPIN		01



Item	Code	Description	See page	QT
01	0501060185	ADJUSTMENT LOCK		01
02	0501068981	ADJUSTMENT LEVER		01
03	0521010624	0.4" X 1.5" COUPLING SHAFT		01
04	0503010071	3/16" X 1" COTTERPIN		01
05	0503030025	1.4" X 0.2" TORSION SPRING		01

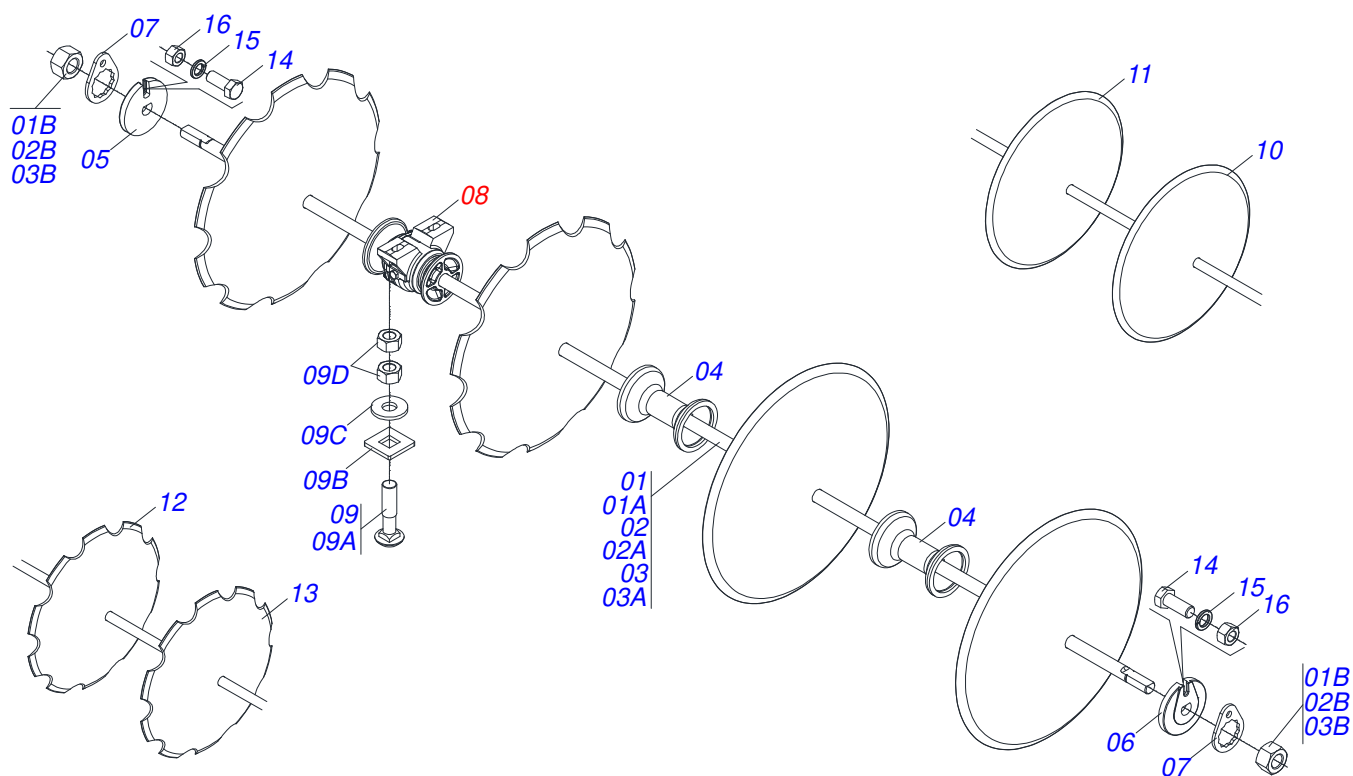


Item	Code	Description	See page	24	28	32	36	40	48
01	0501042965	1-1/4" X 89" AXLE WITH NUTS		02	00	00	00	00	00
01A	0501017354	1-1/4" X 89" AXLE		02	00	00	00	00	00
01B	0501010087	1.1/4" NUT		04	00	00	00	00	00
02	0501042202	1-1/4" X 50" AXLE WITH NUTS		00	04	00	00	00	00
02A	0501016650	1-1/4" X 50" AXLE		00	04	00	00	00	00
02B	0501010087	1.1/4" NUT		00	08	00	00	00	00
03	0501042942	1-1/4" X 58" AXLE WITH NUTS		00	00	04	00	00	00
03A	0501017379	1-1/4" X 58" AXLE		00	00	04	00	00	00
03B	0501010087	1.1/4" NUT		00	00	08	00	00	00
04	0501040694	1-1/4" X 66" AXLE WITH NUTS		00	00	00	04	00	00
04A	0501010439	1-1/4" X 66" AXLE		00	00	00	04	00	00
04B	0501010087	1.1/4" NUT		00	00	00	08	00	00
05	0501042947	1-1/4" X 74" AXLE WITH NUTS		00	00	00	00	04	00
05A	0501017377	1-1/4" X 74" AXLE		00	00	00	00	04	00
05B	0501010087	1.1/4" NUT		00	00	00	00	08	00
06	0501040669	AXLE WITH NUTS		00	00	00	00	00	08
06A	0501010433			00	00	00	00	00	01
06B	0501010087	1.1/4" NUT		00	00	00	00	00	08
07	0502010549	7.6" X 1-1/4" SPACER		16	16	20	20	24	28
08	0502010834	1-1/4" INNER AXLE WASHER		02	04	04	04	04	08
09	0502010835	1-1/4" EXTERNAL AXLE WASHER		02	04	04	04	04	08
10	0501010455	1.1/4" NUT LOCK		04	08	08	08	08	16
11	0501046913	GX 7" 1-1/4" BEARING ASSY	11	06	08	08	08	08	16
11.	0501046922	AGRICULTURAL BEARING DM OL 192.5 X 1.1/4 IMPLEMENT	12	06	08	08	08	08	16
11..	0501040131	FRICITION BEARING ASSY	13	06	08	08	08	08	16
12	0501058802	5/8 UNC X 2.3/4 BOLT ASSY		12	16	16	24	24	32
12A	0503015154	5/8" X 2.3/4" BOLT		12	16	16	24	24	32
12B	0501010947	5/8 NUT LOCK		12	16	16	24	24	32
12C	0501012140	FLAT WASHER		12	16	16	24	24	32
12D	0503010013	5/8 NUT		24	32	32	48	48	64
13	0602030415	24" X 4,75 NOTCHED DISC BLADE		12	00	00	00	00	00

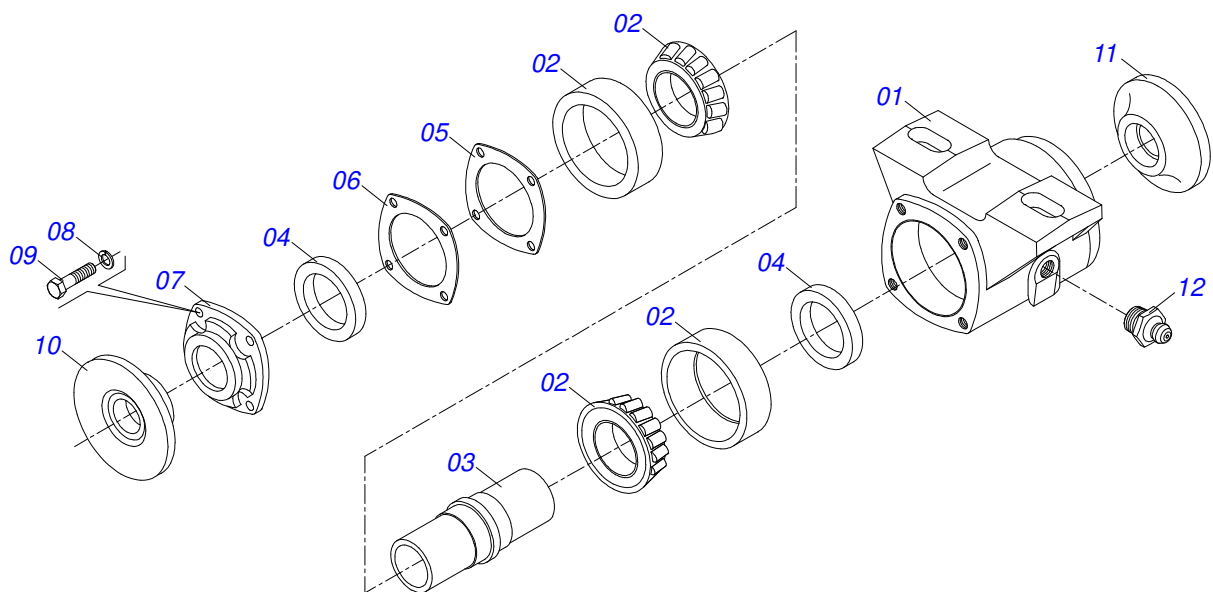


GN 24/28/32/36/40/48/52/56/60D
DISC SECTION 24/28/32/36/40/48D

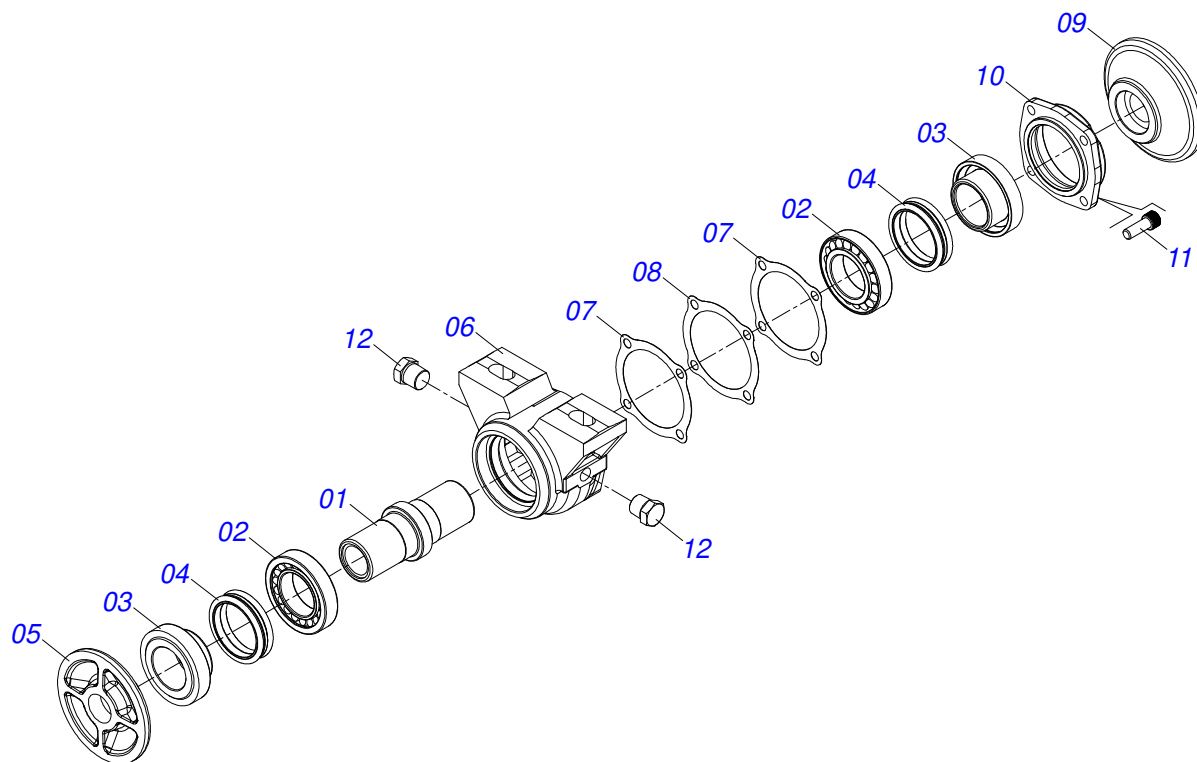
Item	Code	Description	See page	24	28	32	36	40	48
13.	0602029421	DR 22 X 4,5 C64AF02FR1.5/16 10R		12	14	30	34	20	24
13..	0602029420	DR 22 X 3,5 C64AF02FR1.5/16 D126 10R		12	14	16	18	20	00
14	0602027340	DR 20 X 3,5 C57AF02FR1.5/16 10R		12	14	16	18	20	00
14.	0602027342	DR 20 X 4,5 C57AF02FR1.5/16 10R		14	26	16	18	00	00
14..	0602027354	DR20X4		00	00	16	18	00	00
14...	0602025259	DR 18 X 3 C45AF02FR1.5/16 9R		02	00	02	02	00	00
14....	0602025261	DR 18 X 3,5 C45AF02FR1.5/16 9R		02	02	00	00	00	00
15	0601031133	24" X 4,75 PLAIN DISC BLADE		10	00	00	00	00	00
15.	0601029422	DL 22 X 4,5 C64AF02FR1.5/16		10	00	00	00	00	00
15..	0601029418	DL 22 X 3,5 C64AF02FR1.5/16 D126		10	12	14	16	18	24
15...	0601029417	DL 22 X 4,5 C64AF02FR1.5/16		00	12	00	16	20	00
15....	0601029415	DL22X4 C64AF02FR1.5/16		00	00	00	00	18	00
16	0601027304	DL 20 X 4,5 C57AF02FR1.5/16		02	00	14	16	00	00
16.	0601027301	DL 20 X 3,5 C57AF02FR1.5/16		10	12	14	16	18	22
16..	0601027305	DL20X4 C57AF02FR1.5/16		00	12	14	16	02	00
16...	0601025251	DL 18 X 3,5 C45AF02FR1.5/16		02	02	02	02	02	02
16....	0601025257	DL18X4 C45AF02FR1.5/16 D126 TATU		00	02	02	00	00	00
17	0503010395	1/2" X 1-1/4" BOLT		04	08	08	08	08	16
18	0503010019	1/2" SPRING WASHER		04	08	08	08	08	16
19	0503010060	1/2 UNC G.5 ZN HEX NUT		04	08	08	08	08	16



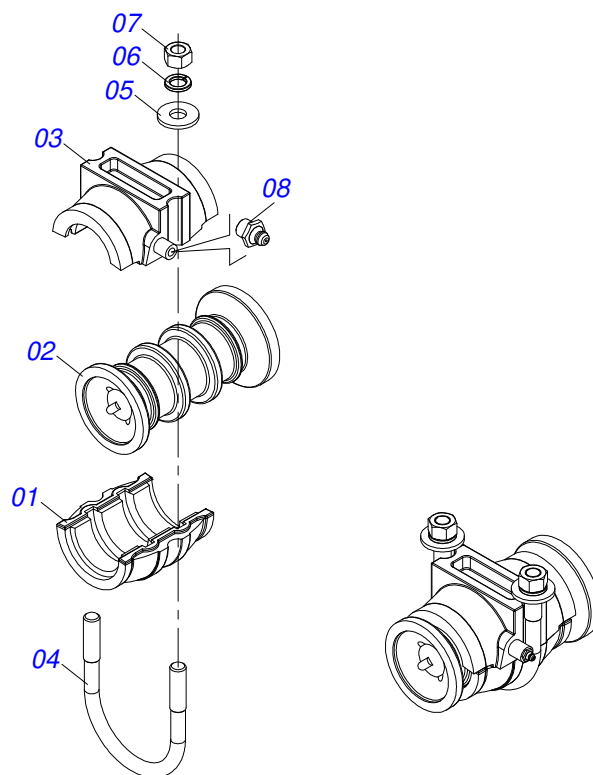
Item	Code	Description	See page	52	56	60
01	0501042201	1.1/4" X 1090 AXLE WITH NUTS		04	00	00
01A	0501016649	1.1/4" X 1090 AXLE		04	00	00
01B	0501010087	1.1/4" NUT		02	00	00
02	0501042202	1-1/4" X 50" AXLE WITH NUTS		04	08	04
02A	0501016650	1-1/4" X 50" AXLE		04	08	04
02B	0501010087	1.1/4" NUT		02	02	02
03	0501042942	1-1/4" X 58" AXLE WITH NUTS		00	00	04
03A	0501017379	1-1/4" X 58" AXLE		00	00	04
03B	0501010087	1.1/4" NUT		00	00	02
04	0502010549	7.6" X 1-1/4" SPACER		28	32	36
05	0502010834	1-1/4" INNER AXLE WASHER		08	08	08
06	0502010835	1-1/4" EXTERNAL AXLE WASHER		08	08	08
07	0501010455	1.1/4" NUT LOCK		16	16	16
08	0501046922	AGRICULTURAL BEARING DM OL 192.5 X 1.1/4 12 IMPLEMENT		16	16	16
09	0501058802	5/8 UNC X 2.3/4 BOLT ASSY		32	32	32
09A	0503015154	5/8" X 2.3/4" BOLT		32	32	32
09B	0501010947	5/8 NUT LOCK		32	32	32
09C	0501012140	FLAT WASHER		32	32	32
09D	0503010013	5/8 NUT		64	64	64
10	0601027301	DL 20 X 3,5 C57AF02FR1.5/16		02	02	00
10.	0601027304	DL 20 X 4,5 C57AF02FR1.5/16		02	00	00
11	0601029418	DL 22 X 3,5 C64AF02FR1.5/16 D126		50	26	00
12	0602029421	DR 22 X 4,5 C64AF02FR1.5/16 10R		00	28	00
12.	0602029420	DR 22 X 3,5 C64AF02FR1.5/16 D126 10R		00	00	58
13	0602027340	DR 20 X 3,5 C57AF02FR1.5/16 10R		00	00	02
14	0503010395	1/2" X 1-1/4" BOLT		16	16	16
15	0503010019	1/2" SPRING WASHER		16	16	16
16	0503010060	1/2 UNC G.5 ZN HEX NUT		16	16	16



Item	Code	Description	See page	QT
01	0502020313	HOUSING CM		01
02	0503010111	30210 ROLLER BEARING		02
03	0502040218	AXLE		01
04	0503010468	SEAL 01199-GB		02
05	0503030013	4.4" X 3.5" X 0.004" JOINT		02
06	0503030684	4.4" X 3.5" X 0.004" JOINT		01
07	0502020273	HOUSING CAP CM		01
08	0503011443	3/8" SPRING WASHER		04
09	0503810237	3/8 UNC X 1 C S G.5 SA BOLT		04
10	0502010070	OUTER FLANGE		01
11	0502010071	INNER FLANGE		01
12	0503010002	1800 GREASE FITTING		01



Item	Code	Description	See page	QT
01	0502040218	AXLE		01
02	0503010111	30210 ROLLER BEARING		02
03	0502010541	SEAL RETAINER		02
04	0503030026	SEAL LP JB-253		02
05	0502010071	INNER FLANGE		01
06	0502010540	HOUSING DM		01
07	0503030013	4.4" X 3.5" X 0.004" JOINT		02
08	0503030684	4.4" X 3.5" X 0.004" JOINT		01
09	0502010070	OUTER FLANGE		01
10	0502020424	HOUSING CAP		01
11	0503010134	3/8" X 1" BOLT		04
12	0503010856	OIL PLUG		02
13	3402301247	MINERAL OIL GREASE		0,11Lts



Item	Code	Description	See page	QT
01	0502030006	LOWER COVER HOUSING		01
02	0502030005	REEL		01
03	0502030004	UPPER COVER HOUSING		01
04	0521012326	5/8 UNC X 138 X 117 FASTENER		01
05	0501012140	FLAT WASHER		02
06	0503010027	5/8 SPRING WASHER		02
07	0503010013	5/8 NUT		02
08	0503010002	1800 GREASE FITTING		01



MARCHESAN

Technical Publications | Elaboration and Revision

ALESSANDRA PATRICIA KAWAHARA CARRILI

www.marchesan.com.br

