

# ***PARTS CATALOG***

## **HINGE TYPE OFFSET DISK HARROW**

**GN 24D - AXIS 1.1/2"**

**Code: 0501092246**



**Series: S-0590**

**Rev.: 00**

**Date Rev.: JUNHO/2018**

**ORIGINAL PARTS  
TATU**



# PRODUCTS

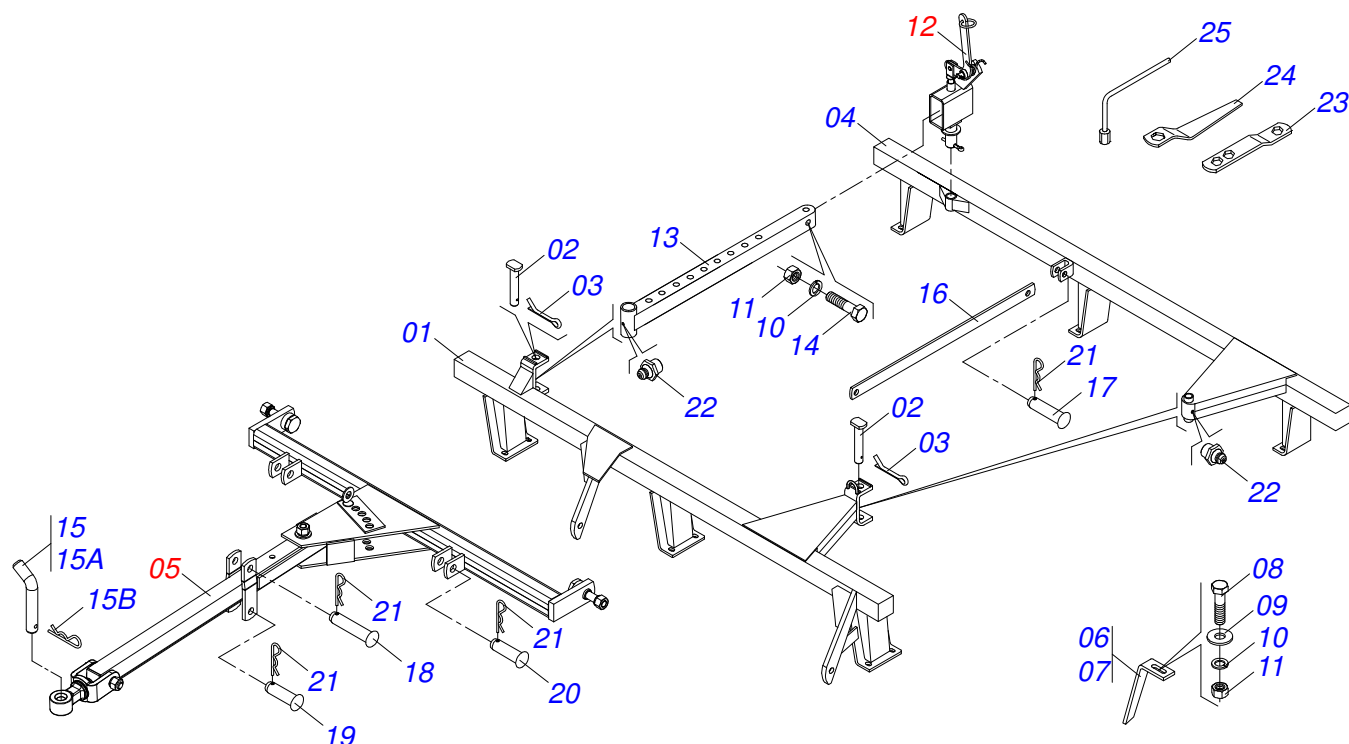
Code	Description
0102110554	GN 24 X 22 X 4,50 E1.1/2 DM DR S-0590
0102110213	GN 24 X 24 X 4,75 E1.1/2 DM S-0590

## ATTENTION: **IMPORTANT**

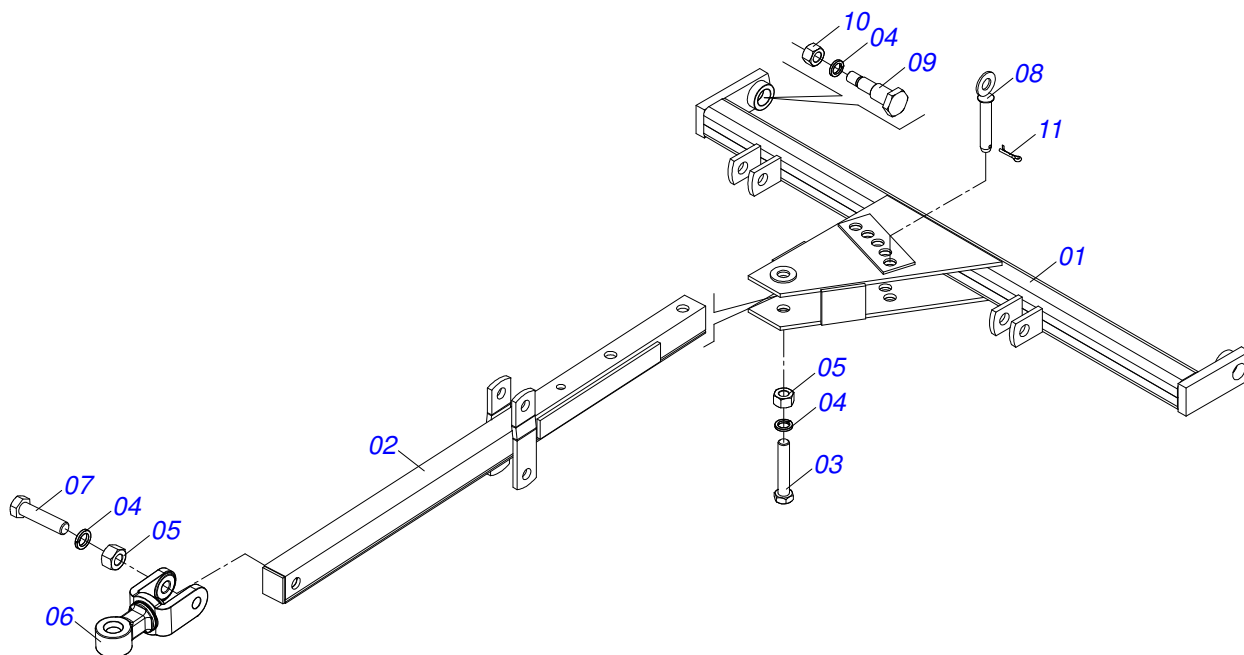
MARCHESAN S/A RESERVES THE RIGHT AT ANY TIME TO MAKE IMPROVEMENTS IN THE DESIGN, MATERIAL OR SPECIFICATIONS OF MACHINERY, EQUIPMENT OR PARTS WITHOUT THEREBY BECOMING LIABLE TO MAKE SIMILAR CHANGES IN MACHINERY, EQUIPMENT OR PARTS PREVIOUSLY SOLD.

# INDEX

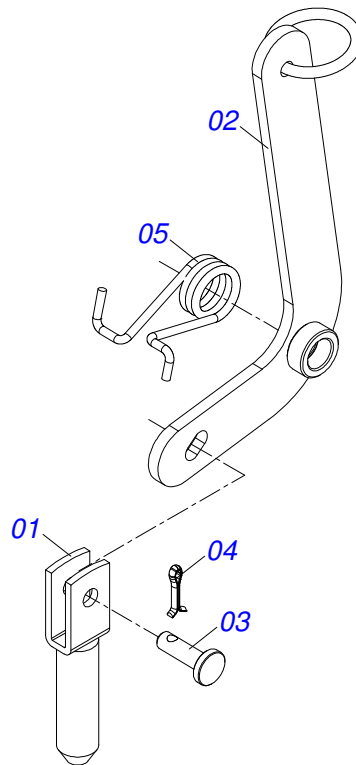
0909094220	GN 24D	.....	1
0501043377	DRAWBAR ASSY	.....	2
0501047858	ADJUSTMENT LEVER ASSY	.....	3
0909094221	DISC SECTION	.....	4
0501047055	BEARING	.....	5



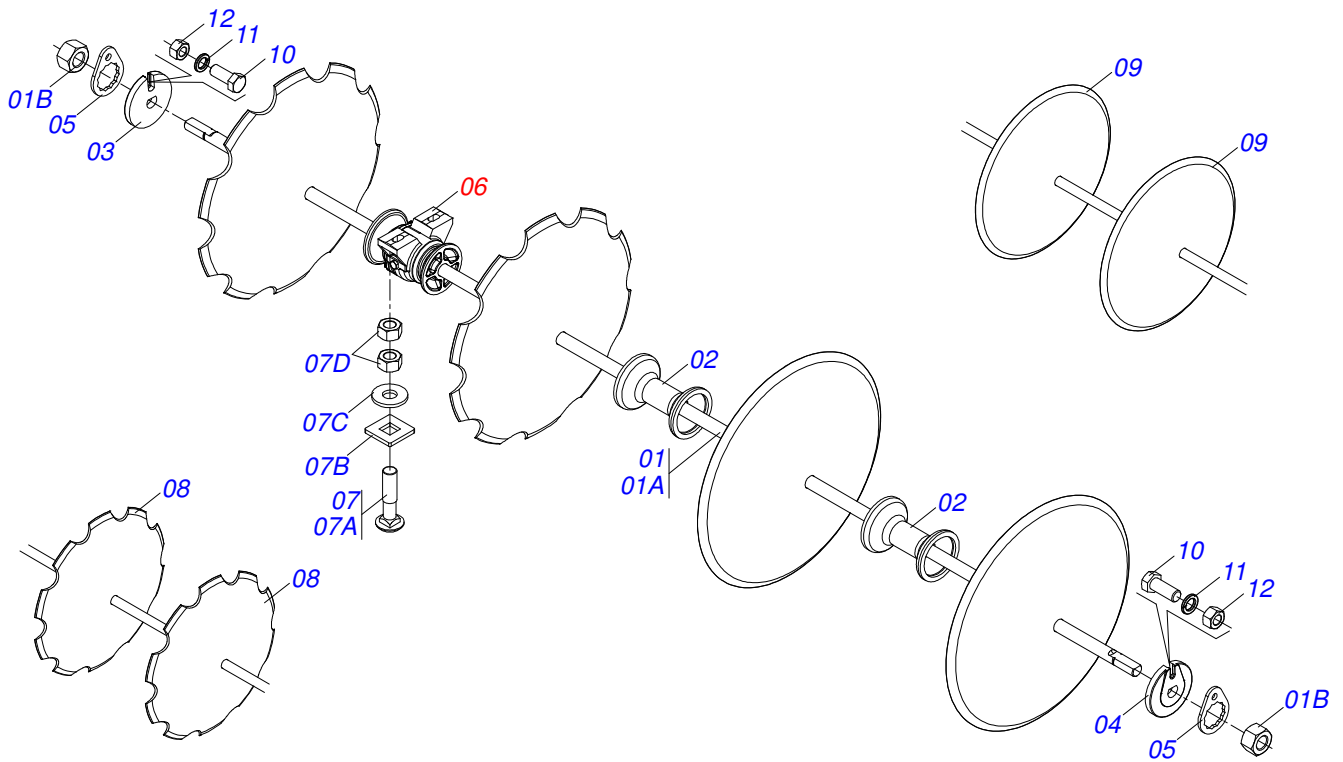
Item	Code	Description	QT
01	0501066932	87.4" FRONT FRAME	01
02	0531019497	1.5" X 9.2" PIVOT SHAFT	02
03	0503010534	3/8 X 2-1/2 COTTERPIN	02
04	0501066935	87.4" REAR FRAME	01
05	0501043377	DRAWBAR ASSY	01
06	0501063963	FRONT SCRAPER	08
07	0501063962	REAR SCRAPER	08
08	0503011082	C1/2" X 1.3/4" BOLT	16
09	0511017302	FLAT WASHER	16
10	0503010019	1/2" SPRING WASHER	16
11	0503010060	1/2" NUT	16
12	0501043278	ADJUSTMENT ASSY	01
13	0501065295	1945 ADJUSTMENT BAR	01
14	0503010741	1/2" X 2-3/4" BOLT	01
15	0501040343	DDRAWBOLT ASSY	01
15A	0521010453	GCOUPLING SHAFT	01
15B	0503031035	HAIR PIN	01
16	0501018945	45" ATTACHMENT BAR	01
17	0521010573	0.9" X 3.1" COUPLING SHAFT	01
18	0521010578	COUPLING SHAFT	01
19	0521010579	COUPLING SHAFT	01
20	0521010595	1.1" X 4.3" COUPLING SHAFT	02
21	0503031035	HAIR PIN	05
22	0503010002	1800 GREASE FITTING	07
23	0511018451	5/8" X 3/4" X 1" UNIVERSAL	01
24	0501010198	1-1/4" CABLE FLAT WRENCH	02
25	0501068273	5/8" WRENCH	01



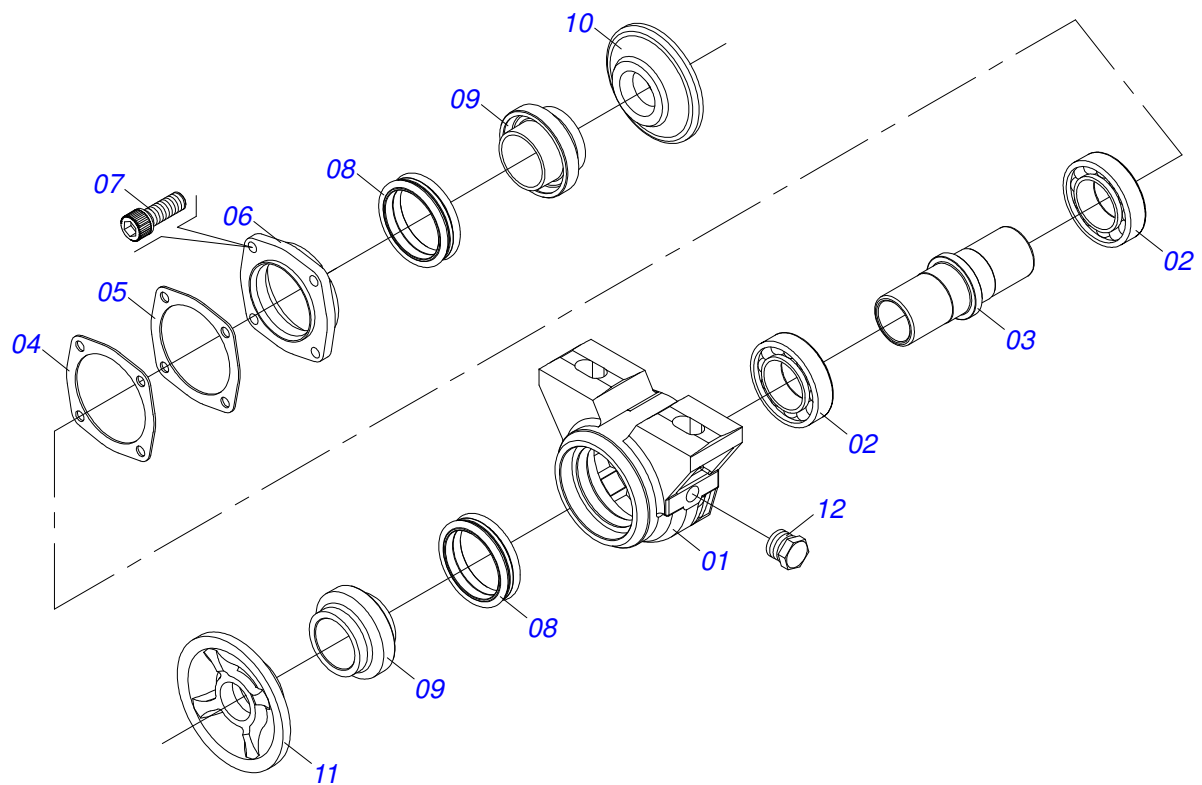
Item	Code	Description	QT
01	0501064917	58.5" OFFSET BAR	01
02	0501064878	DRAWBAR ASSY	01
03	0501010372	1" X 5-1/2" BOLT	01
04	0503011438	SPRING WASHER	04
05	0501010059	1.5/8 NUT	02
06	0521062444	TRACTOR HITCH	01
07	0501010191	1" X 6" BOLT	01
08	0501068993	0.9" X 5.5" COUPLING SHAFT	01
09	0501018191	BARRANG BOLT	02
10	0503010340	1" NUT	02
11	0503010571	1/4" X 1.1/2 COTTERPIN	01



Item	Code	Description	QT
01	0501060185	ADJUSTMENT LOCK	01
02	0501068981	ADJUSTMENT LEVER	01
03	0521010624	0.4" X 1.5" COUPLING SHAFT	01
04	0503010071	3/16" X 1" COTTERPIN	01
05	0503030025	1.4" X 0.2" TORSION SPRING	01



Item	Code	Description	QT
01	0521045341	AXLE	02
01A	0511012017	AXLE	02
01B	0501010110	1.1/2" NUT	04
02	0502010627	SPACER	16
03	0502010872	1-1/2" INNER AXLE WASHER	02
04	0502010871	1-1/2" EXTERNAL AXLE WASHER	02
05	0501018592	1.5/8" NUT LOCK	04
06	0501047055	BEARING	06
07	0501058802	5/8 UNC X 2.3/4 BOLT ASSY	12
07A	0503015154	5/8" X 2.3/4" BOLT	12
07B	0501010947	5/8 NUT LOCK	12
07C	0501012140	FLAT WASHER	12
07D	0503010013	5/8" NUT	24
08	0602030446	24" X 4,75 NOTCHED DISC BLADE	12
08.	0602029406	DR22X4,5 C69AF02FR1.9/16 10REC TT	20
08..	0602027356	DR20X4,5 C57AF02FR1.9/16 10REC TATU	02
09	0601031039	DL24X4,75 C72AF02FR1.9/16 TATU TERR	10
09.	0601029413	DL22X4,5 C64AF02FR1.9/16 TATU	02
10	0503010395	1/2" X 1-1/4" BOLT	04
11	0503010019	1/2" SPRING WASHER	04
12	0503010060	1/2" NUT	04



Item	Code	Description	QT
01	0502010540	HOUSING DM	01
02	0503010006	32210 ROLLER BEARING	02
03	0502040061	AXLE	01
04	0503030013	4.4" X 3.5" X 0.004" JOINT	03
05	0503030684	4.4" X 3.5" X 0.004" JOINT	02
06	0502020424	HOUSING CAP DM	01
07	0503010134	3/8" X 1" BOLT	04
08	0503030026	SEAL LP JB-253	02
09	0502010541	SEAL RETAINER	02
10	0502010604	OUTER FLANGE	01
11	0502010605	INNER FLANGE	01
12	0503010856	OIL PLUG	02







**MARCHESAN IMPLEMENTOS E MÁQUINAS AGRÍCOLAS TATU S.A.**

AV. Marchesan, 1979 - Post office box, 131 - CEP 15994-900 - Matão - SP - Brazil

Phone +55 16.3382-8282

(FAX Parts) + 55 16.3382. 8297 - (Export) + 55 16.3382.1003

e.mail: [tatu@marchesan.com.br](mailto:tatu@marchesan.com.br) [www.marchesan.com.br](http://www.marchesan.com.br)

**Technical Publications: Elaboration**

ALESSANDRA PATRICIA KAWAHARA CARRILI

**Technical Publications: Revision**

ALESSANDRA PATRICIA KAWAHARA CARRILI

*Contact Catálogo:*

*E-mail = [jgaspari@marchesan.com.br](mailto:jgaspari@marchesan.com.br)*

**ORIGINAL PARTS  
TATU**

