

PARTS CATALOG

OFFSET DISK HARROW

GAPCR 7913 - 14D

Code: 0501092245



Series: S-0493

Rev.: 00

Date Rev.: JUNHO/2018

**ORIGINAL PARTS
TATU**



PRODUCTS

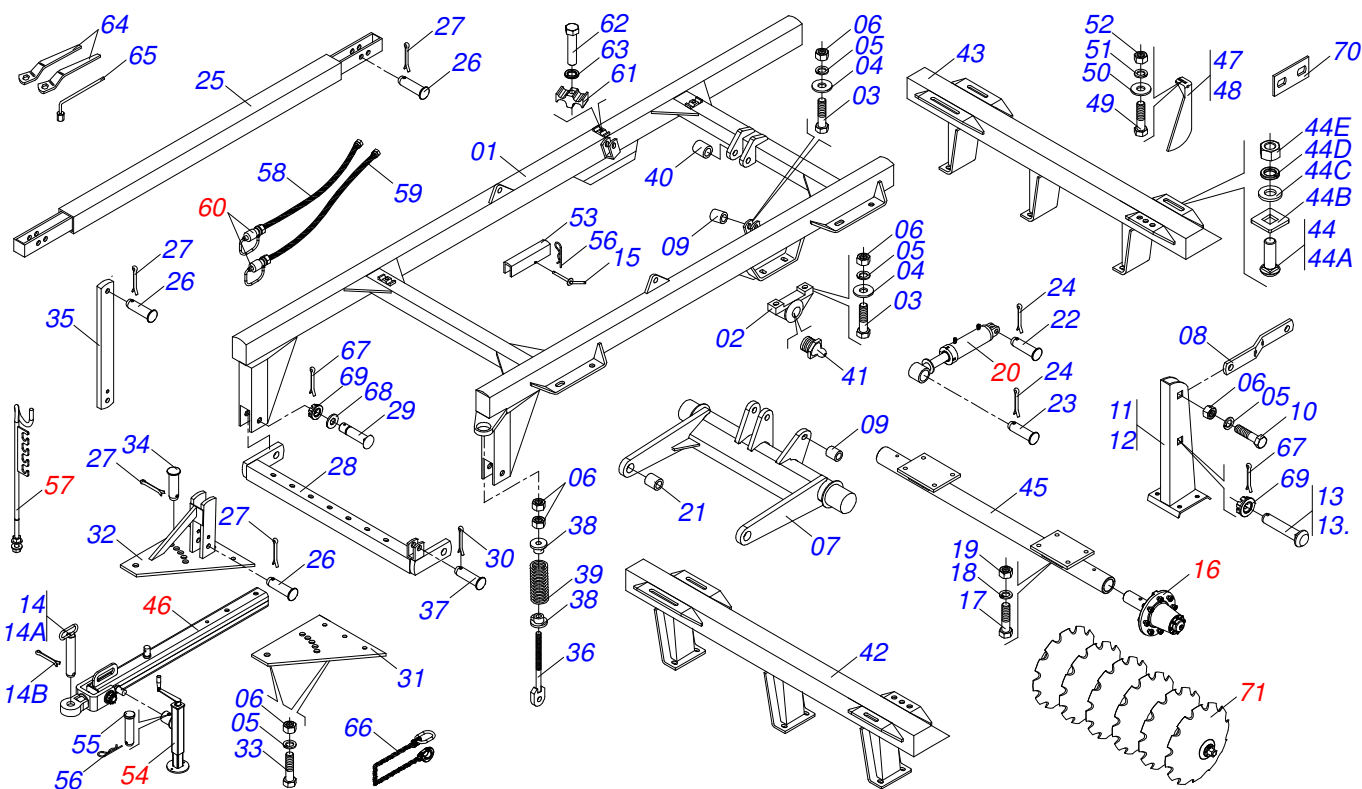
Code	Description
0102060127	GAPCR 7913 14 X 32 X 9,0 DM COR-TEN

ATTENTION: *IMPORTANT*

MARCHESAN S/A RESERVES THE RIGHT AT ANY TIME TO MAKE IMPROVEMENTS IN THE DESIGN, MATERIAL OR SPECIFICATIONS OF MACHINERY, EQUIPMENT OR PARTS WITHOUT THEREBY BECOMING LIABLE TO MAKE SIMILAR CHANGES IN MACHINERY, EQUIPMENT OR PARTS PREVIOUSLY SOLD.

INDEX

0909094202	14D - FRAME ASSY	1
0501047937	3" X 73.2" STUB SHAFT & HUB ASSY	2
0501044309	2.0" X 5" X 20" X 10" HYDRAULIC CYLINDER	3
0501044359	DRAWBAR ASSY	4
0503062157	HEADER JACK	5
0501040257	3/4 X 1200 HOSE HOLDER A	6
0501053834	QUICK CONECTION (MALE) 1/2	7
0909094203	14D - DISC SECTION	8
0511047051	BEARING AGR DM OL 330 X 2.1/8 WITH PROT.	9



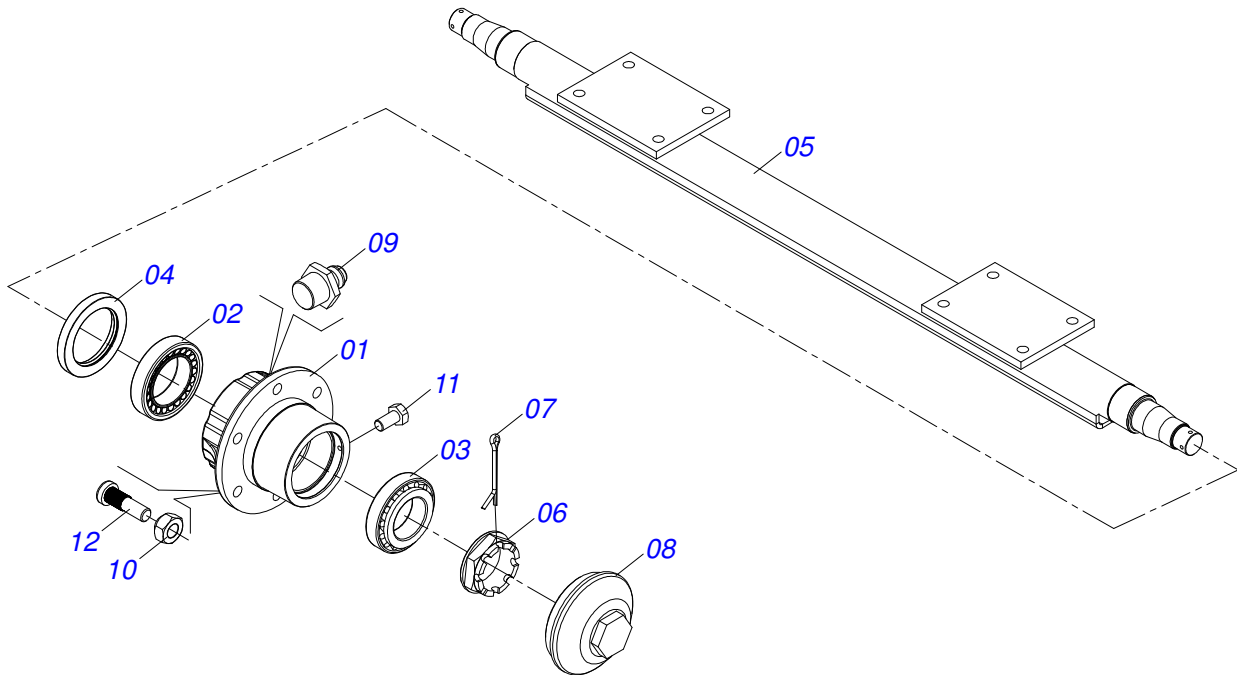
Item	Code	Description	QT
01	0511068723	FRAME	01
02	0502010972	ARTICULACION BEARING	02
03	0503011432	1" X 4" BOLT	04
04	0501010065	1" SPRING WASHER	04
05	0503010012	1" SPRING WASHER	20
06	0501010059	1.5/8 NUT	22
07	0501068210	CARRYING-WHEELS	01
08	0501110404	SUPPORT BAR	02
09	0511019921	1.3" X 0.1" X 1" SLEEVE	05
10	0503011432	1" X 4" BOLT	04
11	0501068260	RIGHT SUSPENSION TOWER	01
12	0501068261	LEFT SUSPENSION TOWER	01
13	0511018006	1-1/2 X 4.13" U BOLT OF SUSP TOWER	02
13.	0511017974	1 U BOLT OF THE SUSPENSION TOWER	02
14	0501048472	1.2" X 7.3" COUPLING SHAFT	01
14A	0501069080	COUPLING SHAFT	01
14B	0503010534	3/8 X 2-1/2 COTTERPIN	01
15	0501068994	0.3" X 3.1" LOCK PIN	01
16	0501047937	3" X 73.2" STUB SHAFT & HUB ASSY	02
17	0501010098	HEX BOLT 3/4 UNC X 2 C S G.5 ZN	08
18	0503010023	SPRING WASHER	08
19	0503010014	3/4" NUT	08
20	0501044309	2.0" X 5" X 20" X 10" HYDRAULIC CYLINDER	01
21	0521010465	1.3" X 1.7" X 1.3" SLEEVE	02
22	0511010174	1.2" X 5.9" COUPLING SHAFT	01
23	0521010547	1.2" X 6.5" COUPLING SHAFT	01
24	0503010523	1/4" X 2" COTTERPIN	04
25	0501066222	STABILIZER BAR	01
26	0521010575	C0.9" X 3.3" COUPLING SHAFT	03
27	0503010571	1/4" X 1.1/2 COTTERPIN	04
28	0501066223	OFFSET BAR	01
29	0521017538	11-1/2" X 5" COUPLING SHAFT	02
30	0503010534	3/8 X 2-1/2 COTTERPIN	02



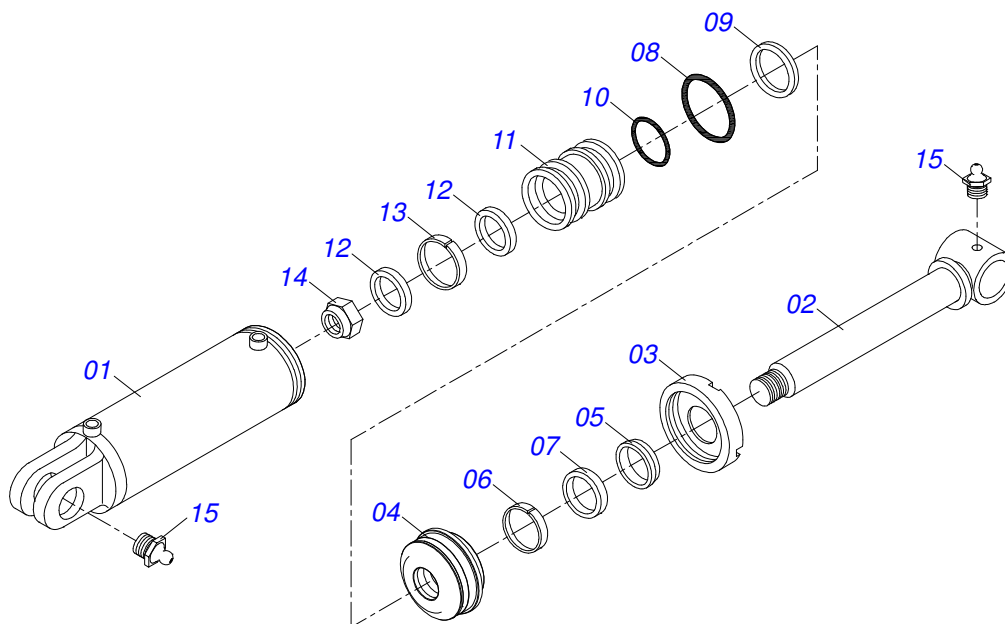
14D - FRAME ASSY

0909094202

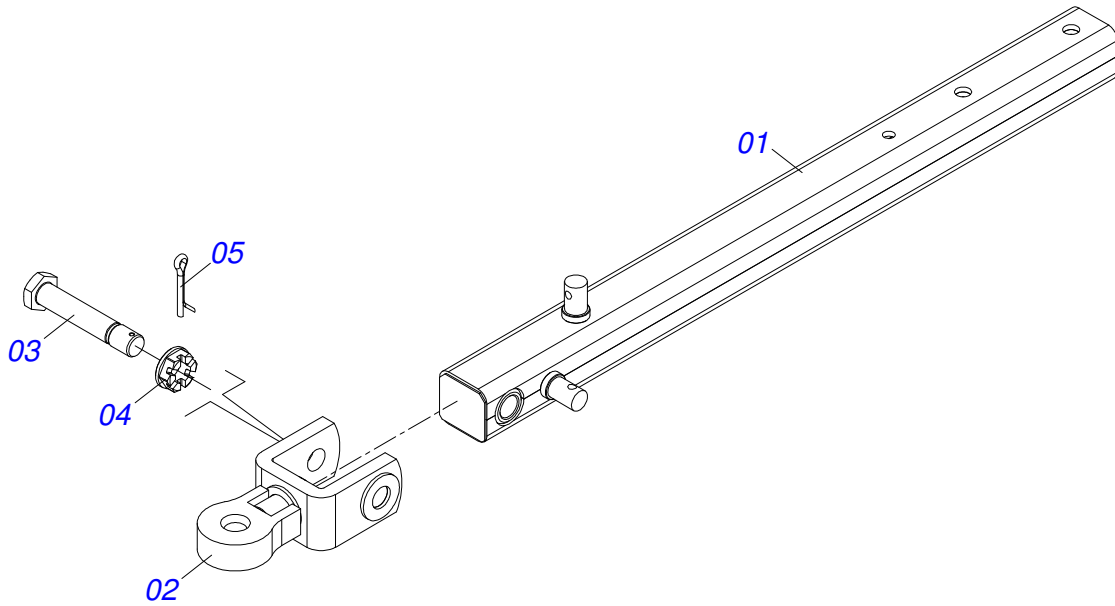
Item	Code	Description	QT
31	0511013000	UPPER /LOWER PLATE	01
32	0501066235	UPPER PLATE WITH SUPPORT	01
33	0501010334	1" X 7" BOLT	04
34	0521010584	C0.9" X 5.7" COUPLING SHAFT	01
35	0511012972	TSTABILIZER BAR TOWER	01
36	0501066240	SPRING ROD	01
37	0521010592	1.1" X 3.1" COUPLING SHAFT	01
38	0502020392	SPRING SUPPORT	02
39	0503030441	12.7" X 5.7" X 0.5"SPRING	01
40	0511019920	LUVA 32,7 X 38,8 X 25,40	04
41	0503010002	1800 GREASE FITTING	03
42	0521045082	2365 FRONT FRAME	01
43	0511068762	2365 REAR FRAME	01
44	0501040877	C1" X 3-1/4" ASSY BOLT	08
44A	0501010171	PARAFUSO 1 UNC X 3.1/2 C S G.5	08
44B	0502012861	1" SQUARE WASHER	08
44C	0501010065	1" SPRING WASHER	08
44D	0503010012	1" SPRING WASHER	08
44E	0501010059	1.5/8 NUT	08
45	0511069068	FIXING SYSTEM	01
46	0501044359	DRAWBAR ASSY	01
47	0501060423	FRONT SCRAPER	07
48	0501060424	REAR SCRAPER	07
49	0503010233	5/8" X 2-1/2" BOLT	28
50	0501012140	FLAT WASHER	28
51	0503010027	SPRING WASHER	28
52	0503010013	5/8" NUT	28
53	0501066386	TRANSPORT LOCK 9.54"	01
54	0503062157	HEADER JACK	01
55	0521010549	COUPLING SHAFT	01
56	0503030168	HAIR PIN	02
57	0501040257	3/4 X 1200 HOSE HOLDER A	01
58	0501080476	3/8" X 26" TC-TM HOSE ASSY	01
59	0501080477	3/8" X 275" TC-TM HOSE ASSY	01
60	0501053834	QUICK CONECTION (MALE) 1/2	02
61	0502012702	BODY SUPPORT CLAMP	03
62	0503012555	7/16" X 2" BOLT	03
63	0503010180	7/16" SPRING WASHER	03
64	0501061044	2-1/8" AND 2-1/2" CABLE FLAT WRENCH	02
65	0501061045	1" WRENCH CYLINDRICAL	01
66	0503013150	1300 X 3/8 CHAIN	01
67	0503010010	1/4" X 2.1/2" COTTERPIN	02
68	0511019880	FLAT WASHER	02
69	0501011301	1.1/2 UNC 6FPP 2.5/16 NUT	02
70	0501010299	SCRAPER LOCK	14
71	0909094203	14D - DISC SECTION	01



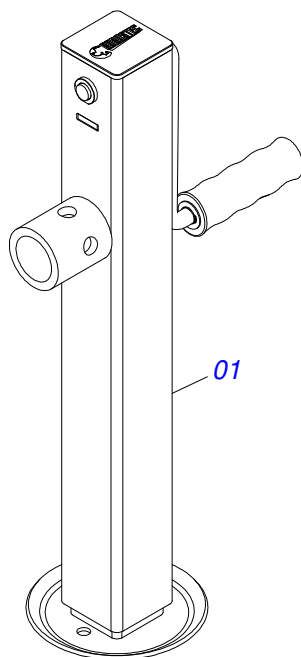
Item	Code	Description	QT
01	0502011389	BOX	02
02	0503010006	32210 ROLLER BEARING	02
03	0503010005	32212 ROLLER BEARING	02
04	0503011866	SEAL 00573-B WITH HOLE	02
05	0501066915	3" X 71" AXLE	01
06	0501010888	1.3/4" 2.5/16" CASTLE NUT	02
07	0503010010	1/4" X 2.1/2" COTTERPIN	02
08	0502020593	COVER	02
09	0503010002	1800 GREASE FITTING	02
10	0503010064	5/8 UNF CONIC NUT	12
11	0503010295	5/16" X 5/8" BOLT	02
12	0501010186	PARAFUSO ROD 5/8UNF X 2.1/8CR	12



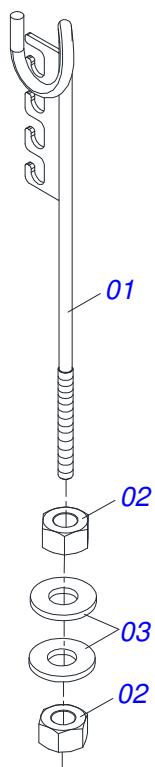
Item	Code	Description	QT
01	0501069075	BODY 127 X 424	01
02	0501068963	HYDRAULIC CYLINDER TURNBUCKLE	01
03	0502010382	5" HEAD	01
04	0502012227	50,80 X 127 RING SUPPORT	01
05	0503010039	D-2000 SCRAPER RING	01
06	0503010952	W2-2250-500 PK RING G.E	01
07	0503010991	PACKING 1870-2000-375-B	01
08	0503010351	2-425 N 3006-9B O'RING	01
09	0503011062	8-425 BACK-UP RING	01
10	0503010345	2-218 N 3006-9B O'RING	01
11	0502010963	2.0" X 5.0" PISTON	01
12	0503010552	PACKING 3750-4250-625-B	02
13	0503010974	W2-5000-500 PK RING G.E	01
14	0503010817	1-1/4" SELF-ADJUSTING NUT	01
15	0503010002	1800 GREASE FITTING	02
16	0501031961	HYDRAULIC CYLINDER REPAIR KIT	01



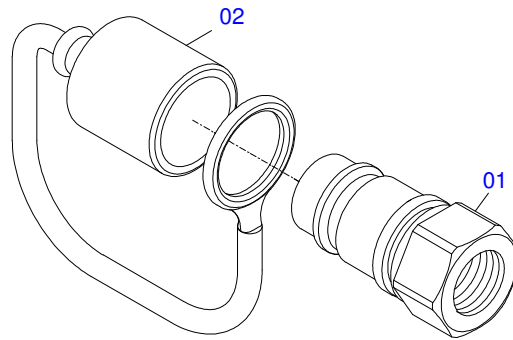
Item	Code	Description	QT
01	0501066715	DRAWBAR ASSY	01
02	0501062869	TRACTOR HITCH	01
03	0501017291	1-1/2" X 8.1" BOLT	01
04	0501011301	1.1/2 UNC 6FPP 2.5/16 NUT	01
05	0503010010	1/4" X 2.1/2" COTTERPIN	01



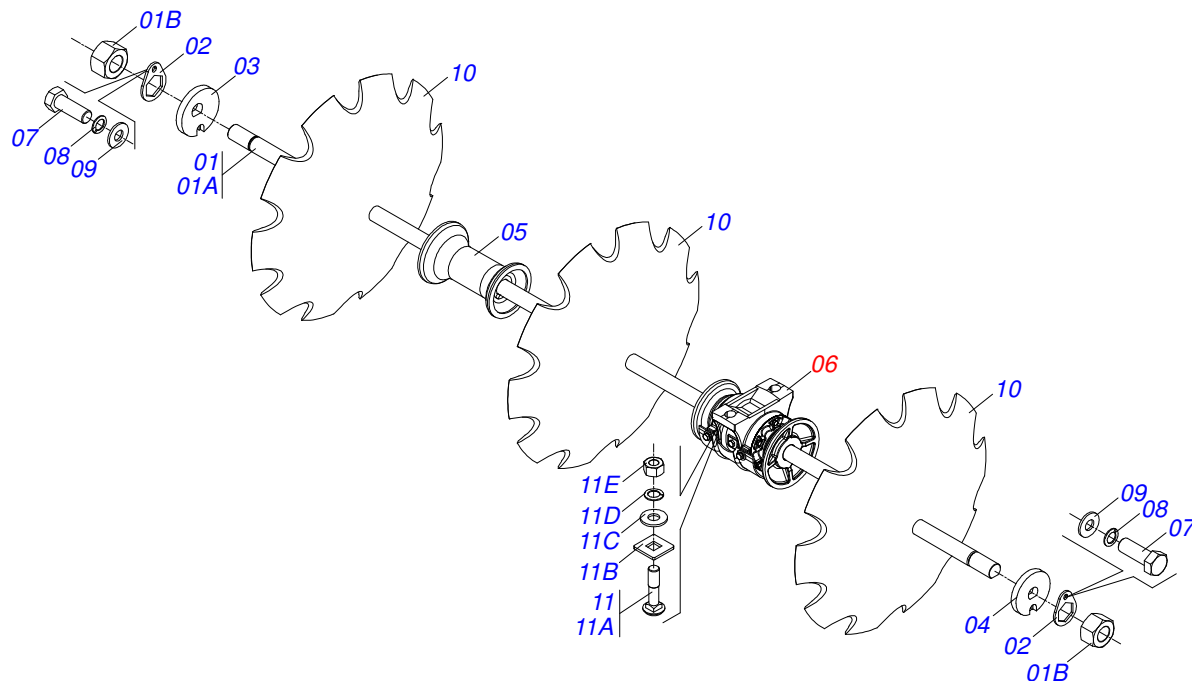
Item	Code	Description	QT
01	0503062157	HEADER JACK	01



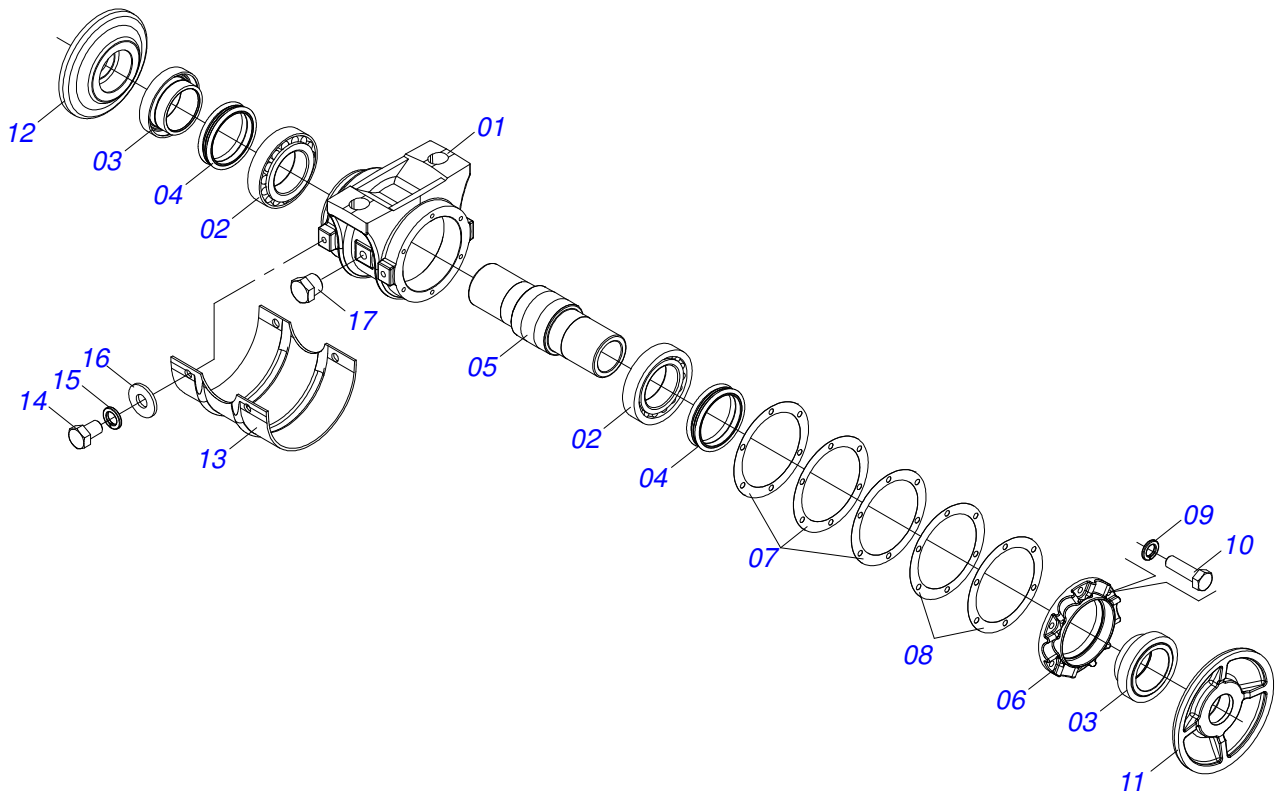
Item	Code	Description	QT
01	0511067334	HOSE SOPPORT ASSY	01
02	0503010014	3/4" NUT	02
03	0501010322	FLAT WASHER	02



Item	Code	Description	QT
01	0503011627	QUICK CONNECTION (MALE) AGR 1/2 NPT	01
02	0503011882	QUICK CONNECTION COVER	01



Item	Code	Description	QT
01	0501041514	2-1/8" X 8.9" AXLE WITH NUTS	02
01A	0501013760	2-1/8" X 8.9" AXLE	02
01B	0502040063	2.1/8" X 54 99 NUT	04
02	0541010368	NUT LOCK	04
03	0502010594	2-1/8" EXTERNAL AXLE WASHER	02
04	0502010595	2-1/8" INNER AXLE WASHER	02
05	0502010643	13" 2-1/8" SPACER	08
06	0511047051	BEARING AGR DM OL 330 X 2.1/8 WITH PROT.	04
07	0503010232	5/8" X 1.3/4" BOLT	08
08	0503010027	SPRING WASHER	08
09	0501012140	FLAT WASHER	08
10	0602040001	30" X 0.3" NOTCHED DISC BLADE	14
11	0501040877	C1" X 3-1/4" ASSY BOLT	08
11A	0501010171	PARAFUSO 1 UNC X 3.1/2 C S G.5	08
11B	0502012861	1" SQUARE WASHER	08
11C	0501010065	1" SPRING WASHER	08
11D	0503010012	1" SPRING WASHER	08
11E	0501010059	1.5/8 NUT	08



Item	Code	Description	QT
01	0502010742	HOUSING DM	01
02	0503013324	BALL BEARING	02
03	0502040123	SEAL RETAINER	02
04	0503030028	JB-257 SEAL	02
05	0502040034	BEARING AXLE	01
06	0502010645	HOUSING CAP DM	01
07	0503030536	7.1" X 5.5" X 0.01" JOINT	03
08	0503030686	7.1" X 5.5" X 0.004" JOINT	02
09	0503011443	SPRING WASHER	06
10	0503010751	C3/8" X 1.1/4" HEX BOLT G.5	06
11	0502040260	OUTER FLANGE	01
12	0502040261	INNER FLANGE	01
13	0511013169	PROTECTION COVER BEARING	01
14	0503011401	1/2" X 3/4" BOLT	04
15	0503010019	1/2" SPRING WASHER	04
16	0511017302	FLAT WASHER	04
17	0503010856	OIL PLUG	02



MARCHESAN IMPLEMENTOS E MÁQUINAS AGRÍCOLAS TATU S.A.

AV. Marchesan, 1979 - Post office box, 131 - CEP 15994-900 - Matão - SP - Brazil

Phone +55 16.3382-8282

(FAX Parts) + 55 16.3382. 8297 - (Export) + 55 16.3382.1003

e.mail: tatu@marchesan.com.br www.marchesan.com.br

Technical Publications: Elaboration

ALESSANDRA PATRICIA KAWAHARA CARRILI

Technical Publications: Revision

ALESSANDRA PATRICIA KAWAHARA CARRILI

Contact Catálogo:

E-mail = jgaspari@marchesan.com.br

**ORIGINAL PARTS
TATU**

