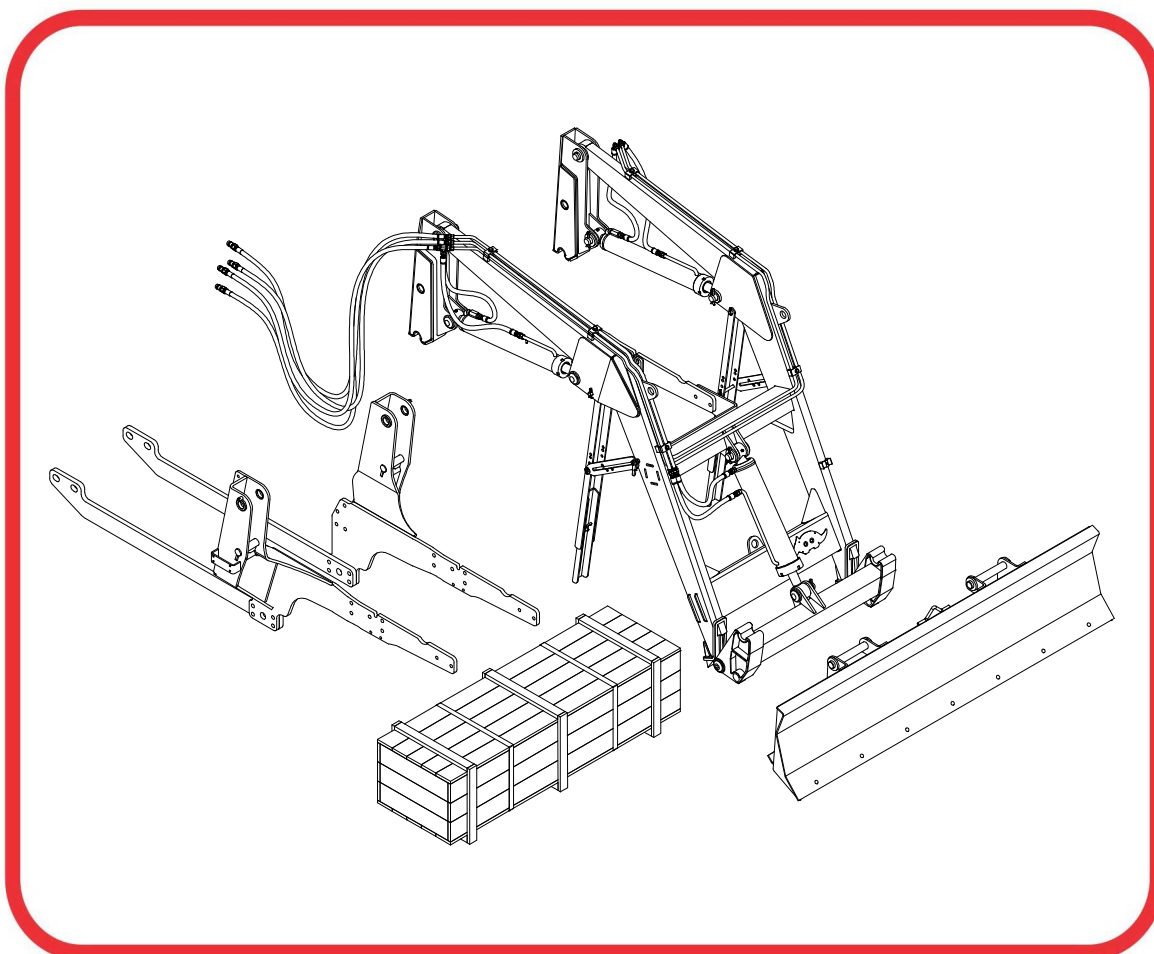


PARTS CATALOG

PCA - AGRICULTURAL FRONT LOADER

PCA 600 VALTRA A850 A950 BT SC G2

Code: 0501092239



Series: S-0415

Rev.: 00

Date Rev.: SETEMBRO/2018

**ORIGINAL PARTS
TATU**



PRODUCTS

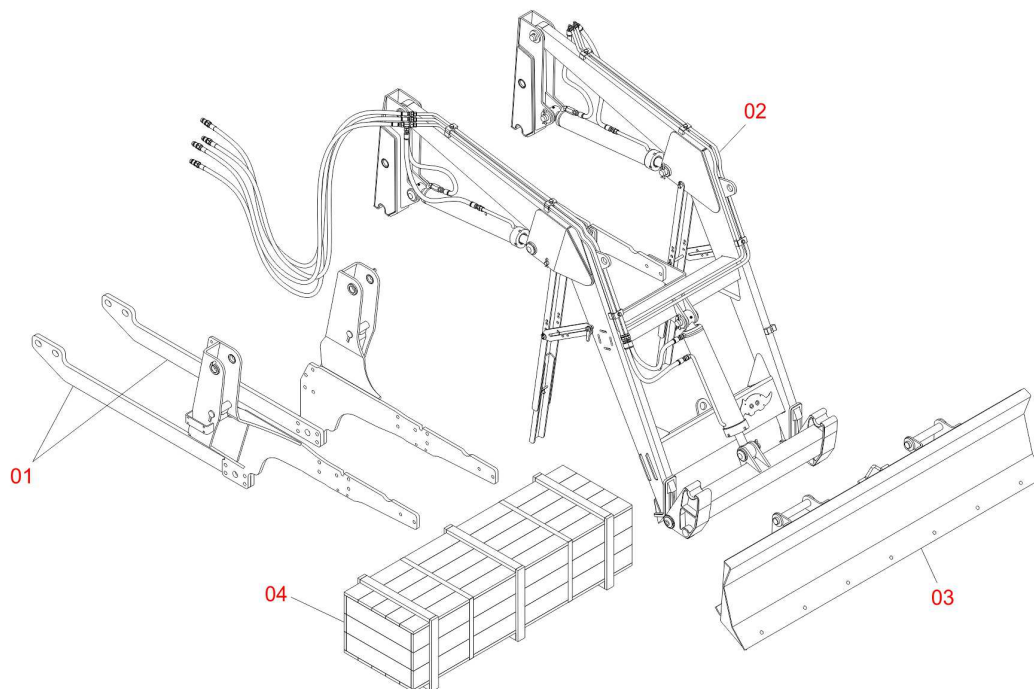
Code	Description
0106111588	PCA 600 VTR A850A950 BT SC G2 S-0415

ATTENTION: **IMPORTANT**

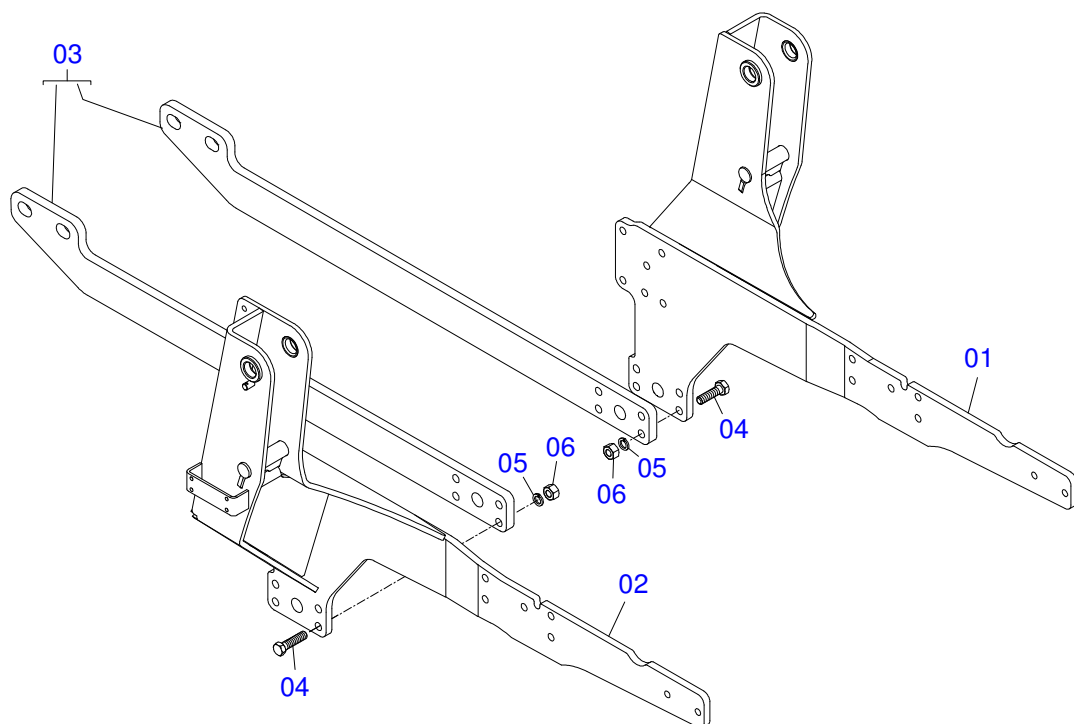
MARCHESAN S/A RESERVES THE RIGHT AT ANY TIME TO MAKE IMPROVEMENTS IN THE DESIGN, MATERIAL OR SPECIFICATIONS OF MACHINERY, EQUIPMENT OR PARTS WITHOUT THEREBY BECOMING LIABLE TO MAKE SIMILAR CHANGES IN MACHINERY, EQUIPMENT OR PARTS PREVIOUSLY SOLD.

INDEX

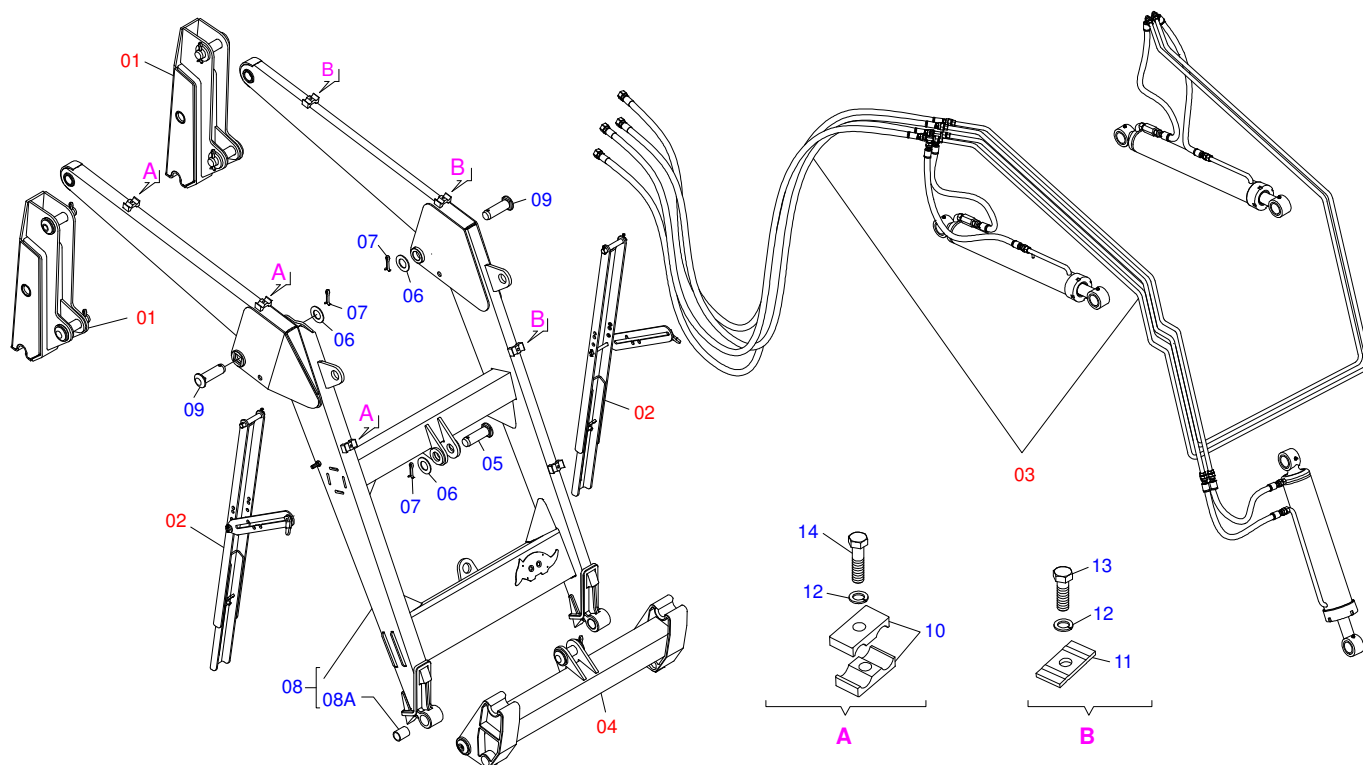
0909092558	PCA 600 VTR A850A950 ASSY	1
0521045960	CHASSIS ASSEMBLY WITH REAR BAR	2
0511049299	FULL MOVABLE STAND - PCA 600 VTR	3
0909094888	SET TOWERS OF SUPPORT MOVEL	4
0909092667	ADJUSTABLE REST OF MOVABLE SUPPORT	5
0909094890	HYDRAULIC CIRCUIT OF MOBILE SUPPORT	6
0521050762	44,45 X 76,20 X 865 X 555 HYDRAULIC CYLINDER	7
0511057915	44,45 X 101,60 X 702 X 738 HIDRAULIC CYLINDER	8
0909094826	ARTICULATOR SUPPORT AND COMPONENTS	9
0501053834	MALE QUICK COUPLING AGRICULTURAL WITH COVER - 1/2 NPT	10
0501049401	LDA 2200 FULL	11
0511047849	LDA 2200 WITHOUT SUPPORT	12
0521021986	BOX WITH COMPONENTS	13
0511031935	PACKAGED PARTS	14



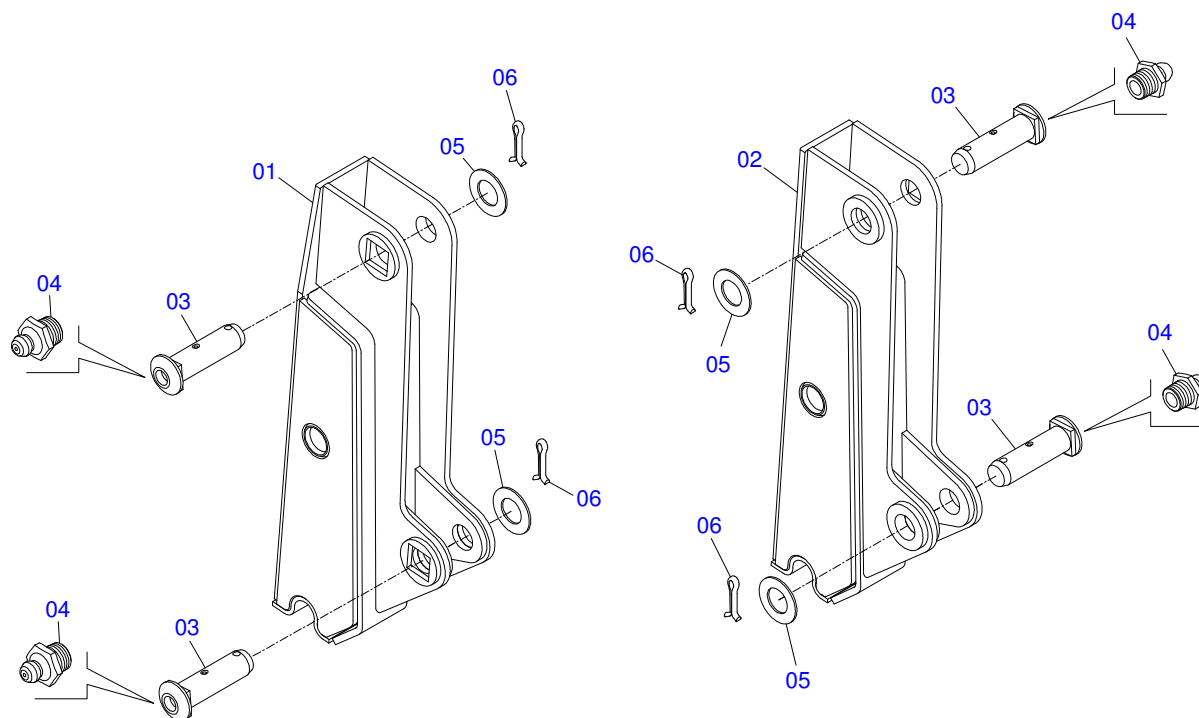
Item	Code	Description	See page	QT
01	0521045960	CHASSIS ASSEMBLY WITH REAR BAR	2	01
02	0511049299	FULL MOVABLE STAND - PCA 600 VTR	3	01
03	0501049401	LDA 2200 FULL	11	01
04	0521021986	BOX WITH COMPONENTS	13	01



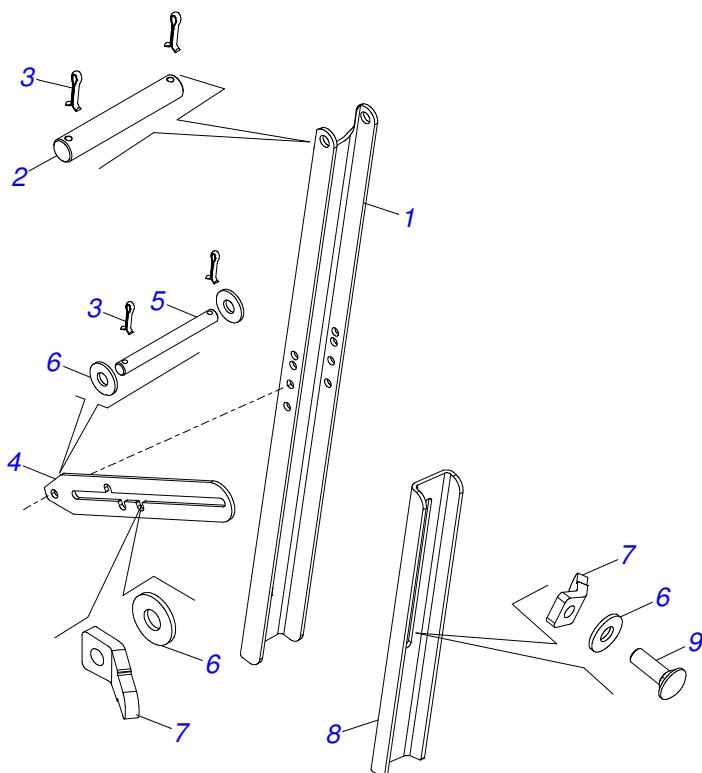
Item	Code	Description	See page	QT
01	0521066135	LEFT CHASSIS - PCA VTR A750 A950		01
02	0521066133	RIGHT CHASSIS - PCA VTR A750 A950		01
03	0571019093	REAR COUPLING BAR PCA-T PLUS 1500 VTR		02
04	0501010500	3/4"X3"BOLT		08
05	0503010023	SPRING WASHER		08
06	0503010014	3/4" NUT		08



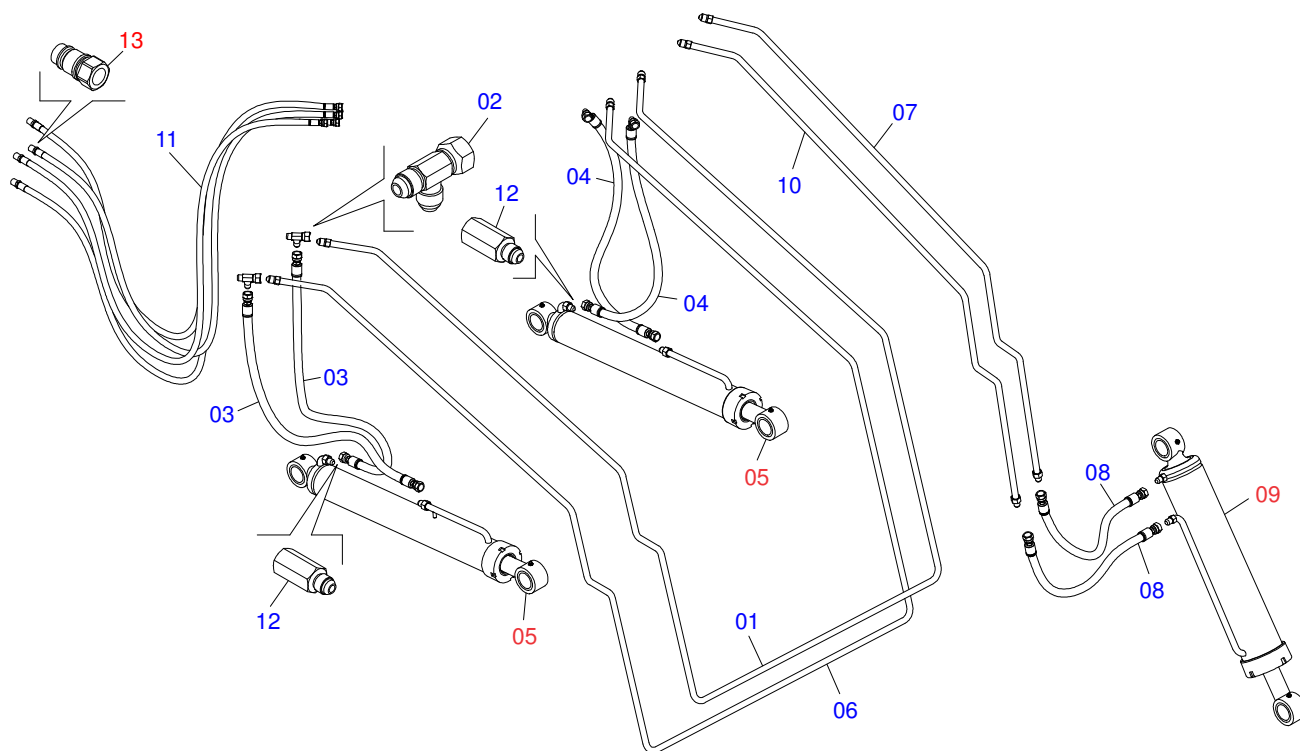
Item	Code	Description	See page	QT
01	0909094888	SET TOWERS OF SUPPORT MOVEL	4	01
02	0909092667	ADJUSTABLE REST OF MOVABLE SUPPORT	5	02
03	0909094890	HYDRAULIC CIRCUIT OF MOBILE SUPPORT	6	01
04	0909094826	ARTICULATOR SUPPORT AND COMPONENTS	9	01
05	0511019521	1.5" X 1.4" PIVOT SHAFT		02
06	0511019685	FLAT WASHER		06
07	0503010534	3/8 X 2-1/2 COTTERPIN		06
08	0521061683	MOBILE SUPPORT - PCA MF-4275/4283		01
09	0521010904	1.5" X 1.4" PIVOT SHAFT		02
10	0502010477	UPPER CLIP		06
11	0531011180	UPPER BODY CLIP		03
12	0503010180	7/16" SPRING WASHER		06
13	0503011102	PARAFUSO 7/16 UNC X 1.1/4 C S G.5		03
14	0503012555	7/16" X 2" BOLT		03



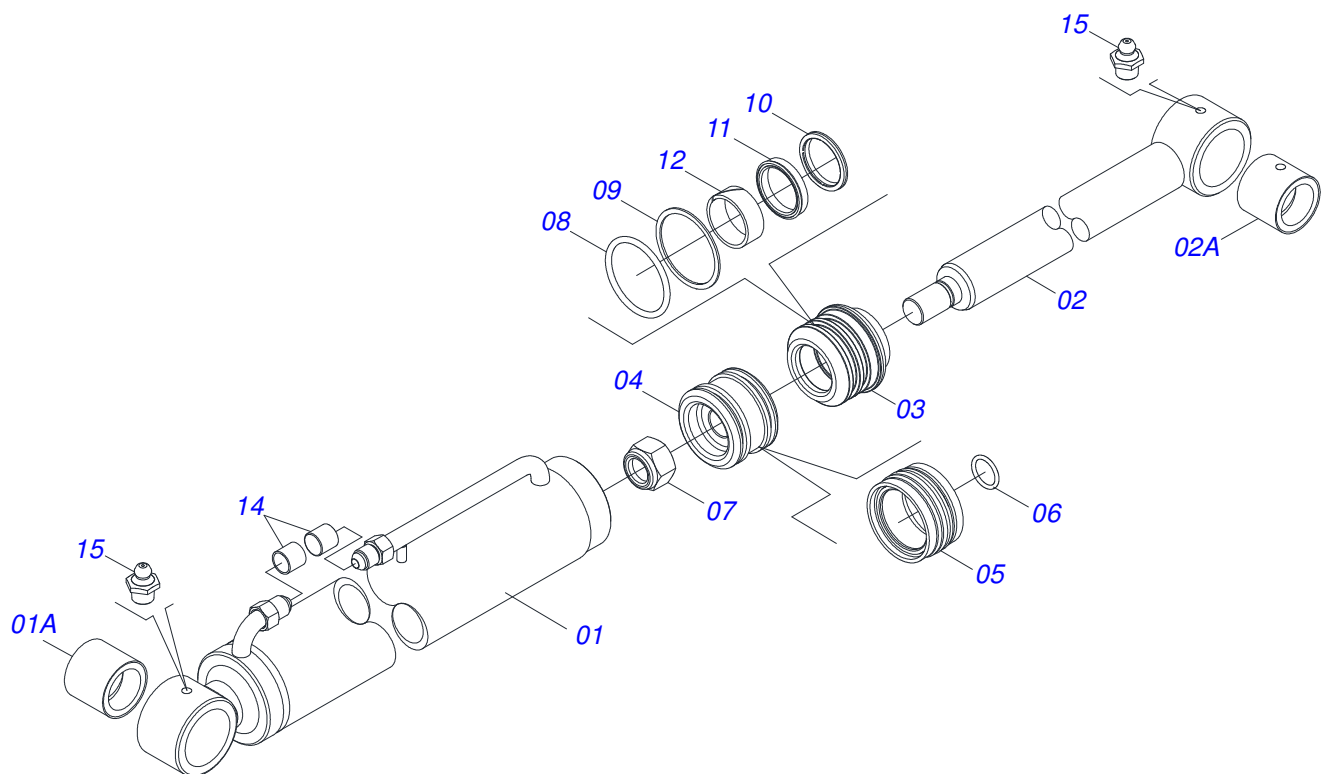
Item	Code	Description	See page	QT
01	0521062319	RIGHT MOVABLE TOWER 30 - PCA VTRA750		01
02	0521062320	LEFT MOVED LEFT TOWER 10 - PCA VTRA750		01
03	0511019519	1.5" X 1.4" PIVOT SHAFT		02
04	0503010002	1800 GREASE FITTING		02
05	0511019685	FLAT WASHER		04
06	0503010534	3/8 X 2-1/2 COTTERPIN		04



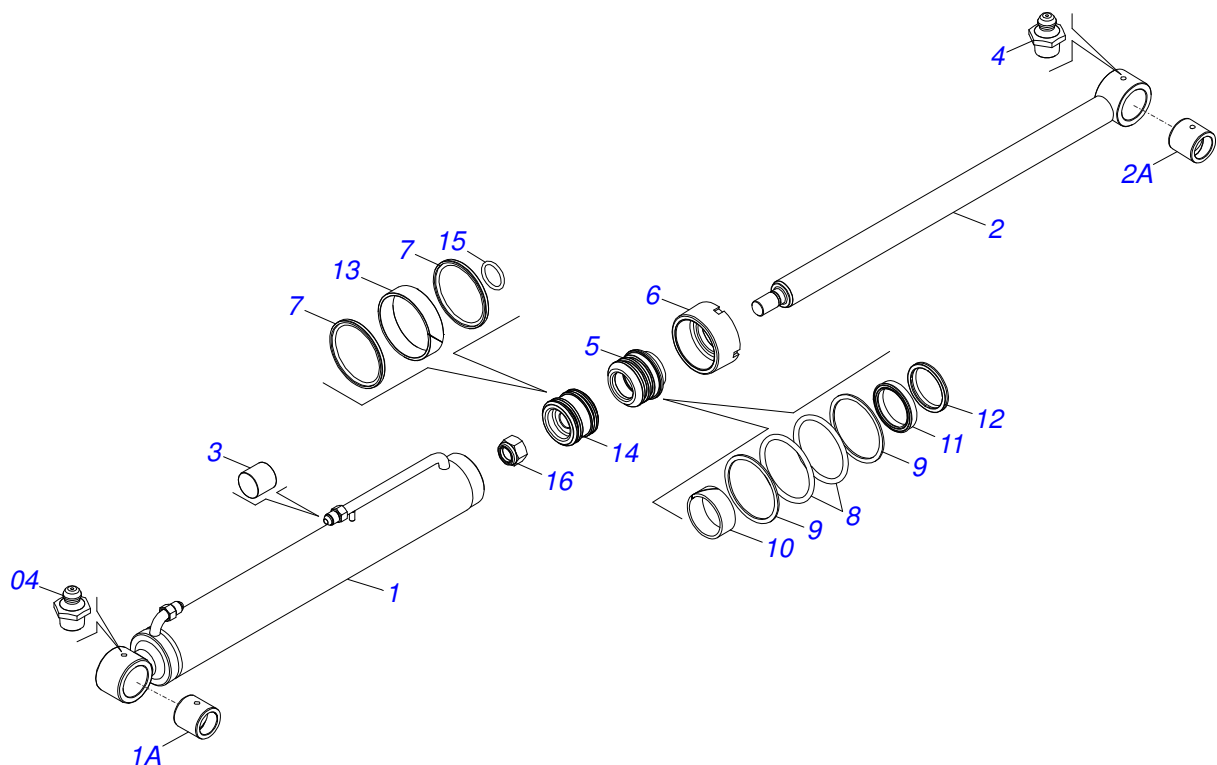
Item	Code	Description	See page	QT
01	0561016401	PLOUGH SUPPORT BODY		02
02	0511013598	3/4" X 4.7" COUPLING SHAFT		02
03	0503010071	3/16" X 1" COTTERPIN		08
04	0511019634	CONTROL LOCK		02
05	0521012823	COUPLING SHAFT		02
06	0511017302	FLAT WASHER		08
07	0561016329	LATCH HOLDER REST PCA		04
08	0561016619	COMPLEMENTON REST		02
09	0503014378	1/2" X 1-1/2" BOLT		02



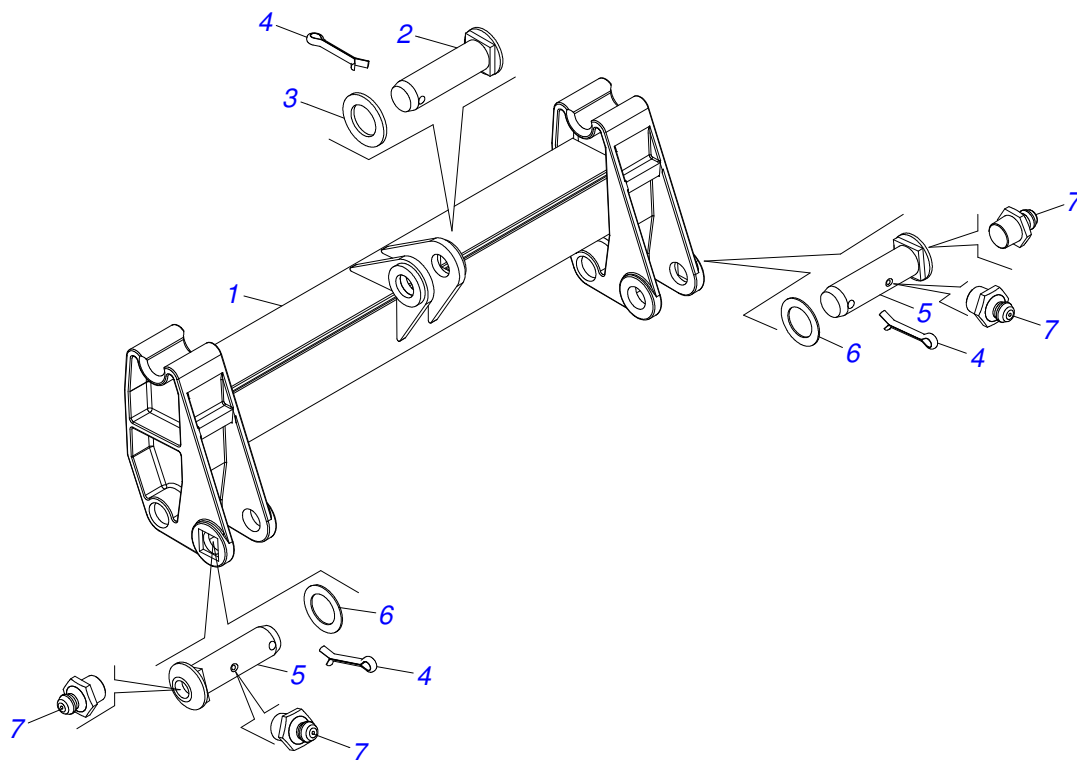
Item	Code	Description	See page	QT
01	0521061694	INTERNAL OIL DISTRIBUTOR - PCA 4275/4283		01
02	0503011968	T ADAPTOR WITH GIRAT		02
03	0501080105	TR-TR HOSE ASSY		02
04	0501080413	3/8" X 27" TR-TC HOSE ASSY		02
05	0521050762	44,45 X 76,20 X 865 X 555 HYDRAULIC CYLINDER	7	02
06	0521061695	EXTERNAL OIL DISTRIBUTOR - PCA 4275/4283		01
07	0521061696	INTERNAL TOP OIL DISTRIBUTOR - PCA 4275/4283		01
08	0501080635	3/8" X 19" TR-TR HOSE		02
09	0511057915	44,45 X 101,60 X 702 X 738 HIDRAULIC CYLINDER	8	01
10	0521062948	UPPER OUTER OIL DISTRIBUTOR		01
11	0501081124	HOSE 3/8" X 4200-TM TR		01
12	0511057773	R.3/4 UNF SAFETY VALVE ASSEMBLY - PD/PCA		02
13	0501053834	MALE QUICK COUPLING AGRICULTURAL WITH 10 COVER - 1/2 NPT		04



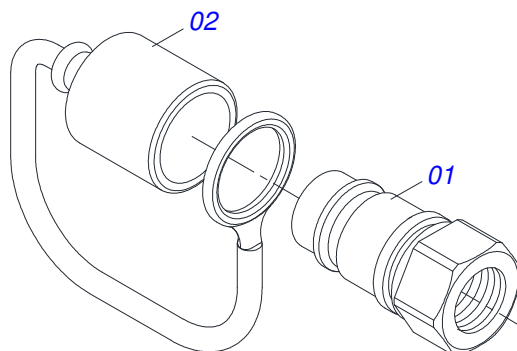
Item	Code	Description	See page	QT
01	0511071163	76,20 X 740 CYLINDER CASE - PCA 600		01
01A	0521010514	38,1 X 52,9 X 50 SLEEVE INTER		01
02	0521066424	AIR TURNBUCKLE		01
02A	0521010514	38,1 X 52,9 X 50 SLEEVE INTER		01
03	0581010301	RING SUPPORT		01
04	0581010304	PISTON		01
05	0503018136	ZW 007600260 AGEL RING		01
06	0503010042	2-214 N 3006-9B O-RING		01
07	0503010063	1" SELF-ALIGNING NUT		01
08	0503010343	2-334 N 3006-9B O-RING		02
09	0503011059	8-334 BACK-UP RING		02
10	0503010761	D-1750 SCRAPER RING		01
11	0503017937	GASKET		01
12	0503017938	RING GUIDE		01
13	0502011899	MOBILE COVER		01
14	0503030385	CYLINDER PLUG N-002		02
15	0503010002	1800 GREASE FITTING		02



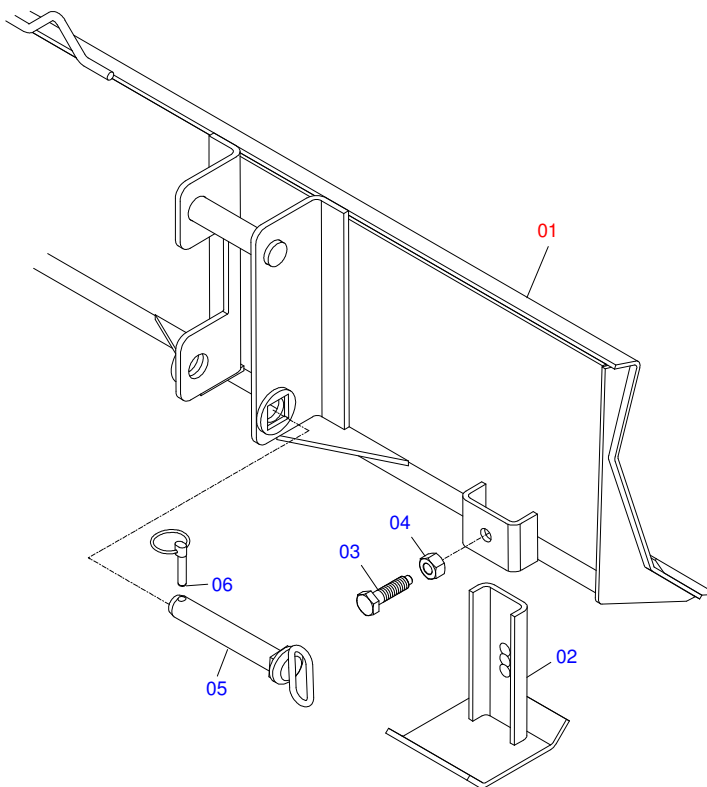
Item	Code	Description	See page	QT
01	0511066339	101,6 X 548 CYLINDER CASE - PCA 600		01
01A	0521010514	38,1 X 52,9 X 50 SLEEVE INTER		01
02	0521066430	44,45 X 630 EXTENDER - PCA 600		01
02A	0521010514	38,1 X 52,9 X 50 SLEEVE INTER		01
03	0503030385	CYLINDER PLUG N-002		02
04	0503010002	1800 GREASE FITTING		02
05	0581010302	RING OF SUPPORT		01
06	0502012822	101,60 MOBILE COVER		01
07	0503018158	OE 101605200211D-BR RING BS		02
08	0503011061	8-342 BACK-UP RING		02
09	0503010338	2-342 N 3006-9B O'RING		02
10	0503017938	RING GUIDE		01
11	0503017937	GASKET		01
12	0503010761	D-1750 SCRAPER RING		01
13	0503010994	W2-4000-500 PK RING G.E		01
14	0581010303	PISTON 4 - PCA 600		01
15	0503018029	2-217 O'RING		01
16	0503010817	1-1/4" SELF-ADJUSTING NUT		01



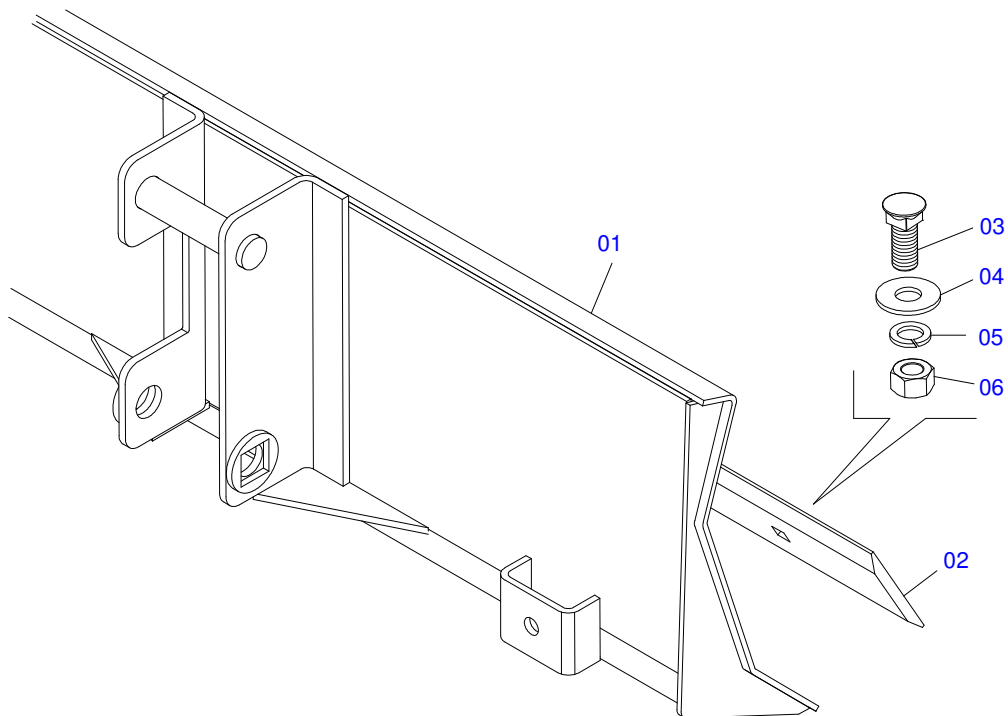
Item	Code	Description	See page	QT
01	0501069934	ARTÍCULOS SOPORTE PCA 600 AX 5.80-4		01
02	0521010904	1.5" X 1.4" PIVOT SHAFT		01
03	0501012916	FLAT WASHER 38,50 X 66 X 4,75 ZN		01
04	0503010534	3/8 X 2-1/2 COTTERPIN		03
05	0511019519	1.5" X 1.4" PIVOT SHAFT		02
06	0511019685	FLAT WASHER		02
07	0503010002	1800 GREASE FITTING		02



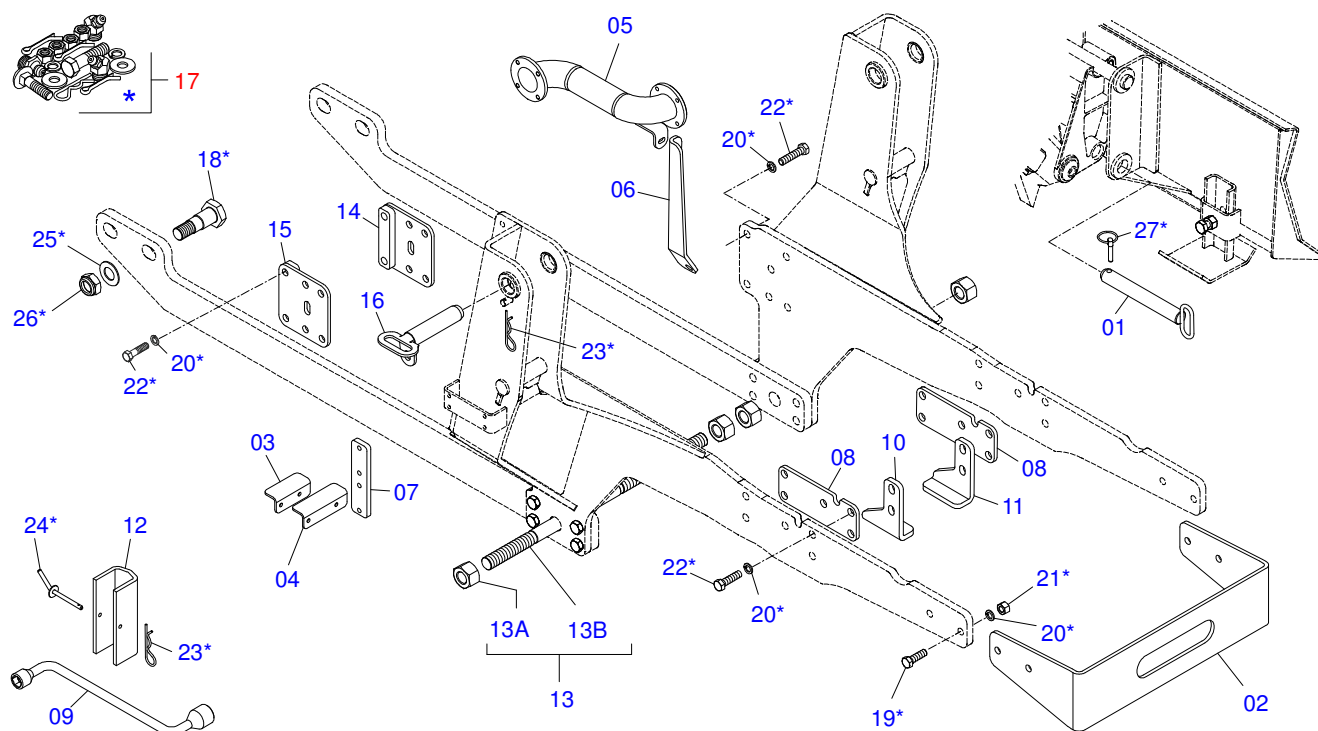
Item	Code	Description	See page	QT
01	0503011627	QUICK CONNECTION (MALE) AGR 1/2 NPT		01
02	0503011882	QUICK CONNECTION COVER		01



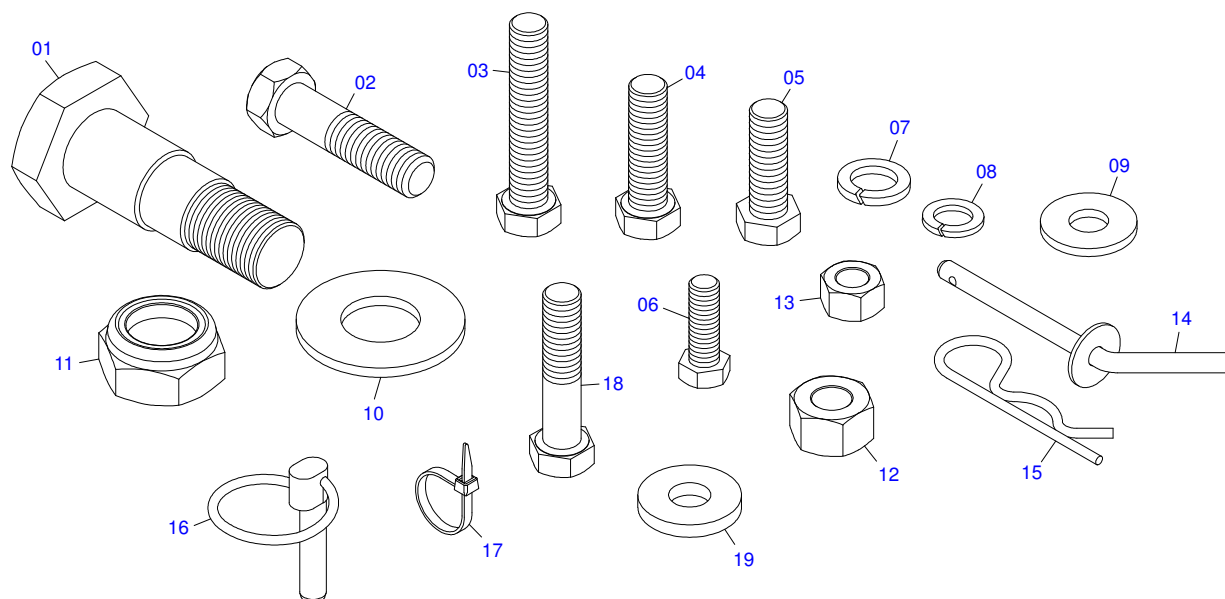
Item	Code	Description	See page	QT
01	0511047849	LDA 2200 WITHOUT SUPPORT	12	01
02	0511064780	SHOE SLIDE LIGHT STABILIZING		02
03	0501018246	3/4" X 3" BOLT		02
04	0503010014	3/4" NUT		02
05	0521067346	38,1 X 285 PIN WITH HANDLE		02
06	0503030430	7/16 X 2" PIN LOCK		02



Item	Code	Description	See page	QT
01	0511064165	BLADE FRONT		01
02	0531019518	SCRAPER 2220 X 6 X 1/2		01
03	0501012239	5/8" X 1.3/4" BOLT		07
04	0571010265	FLAT WASHER		07
05	0503011445	SPRING WASHER		07
06	0503010013	5/8" NUT		07



Item	Code	Description	See page	QT
01	0501069447	1.5" X 1.4" PIVOT SHAFT		02
02	0571017231	FRONT PROTECTOR PCA VTR A750/850/950		01
03	0571019245	TOOL BOX MINIMUM FIXER - PCA-T PLUS 1500 VTR		01
04	0571019244	MAJOR TOOL BOX FIXER - PCA-T PLUS 1500 VTR		01
05	0521065252	EXHAUST SUPPLEMENT - PCA VTR A750/850/950		01
06	0571017226	SUPPLEMENTARY FASTENER - PCA VTR A750/850/950		01
07	0571019090	BATTERY HOLDER PLATE - PCA-T PLUS 1500 VTR		01
08	0571017227	CHASSIS SHIM - PCA VTR A750/850/950		02
09	0501068213	5/8" WRENCH DOUBLE		01
10	0571013125	RIGHT SCOUT - PCA/PD VTR A750A950		01
11	0571013126	LEFT BEATER - PCA/PD VTR A750A950		01
12	0511010839	TRANSPORT LOCK 7.9" X 2.1" X 0.4"		02
13	0501044434	1" NC X 700 ROD W/NUTS		01
13A	0501010087	1.1/4" NUT		04
13B	0501014753	1" NC X 700 ROD		01
14	0521067359	LEFT FRAME LOCK PCA-T PLUS 1500 VTR A950		01
15	0521067351	RIGHT FRAME LOCK PCA-T PLUS 1500 VTR A750 A A950		01
16	0521061682	AXLE FIXER		02
17*	0511031935	PACKAGED PARTS	14	01
18*	0571019101	1.1/4 UNF X 110 BOLT PCA-T PLUS 1500 VTR A950		02
19*	0503011243	5/8" X 2" BOLT		04
20*	0503010027	SPRING WASHER		28
21*	0503010013	5/8" NUT		04
22*	0503011730	M16 X 2 X 60 BOLT		20
23*	0503030012	HAIR PIN		02
24*	0501068994	0.3" X 3.1" LOCK PIN		02
25*	0531017601	FLAT WASHER		02
26*	0503010044	1-1/4" SELF-ADJUSTING NUT		02
27*	0503030430	7/16 X 2" PIN LOCK		02



Item	Code	Description	See page	QT
01	0571019101	1.1/4 UNF X 110 BOLT PCA-T PLUS 1500 VTR A950		02
02	0501010500	3/4"X3"BOLT		08
03	0503012833	M16 X 2 X 90 BOLT		04
04	0503011730	M16 X 2 X 60 BOLT		20
05	0503011243	5/8" X 2" BOLT		04
06	0503010920	1/2" X 1.1/2" BOLT		02
07	0503010023	SPRING WASHER		08
08	0503010027	SPRING WASHER		28
09	0501012140	FLAT WASHER		12
10	0531017601	FLAT WASHER		02
11	0503010044	1-1/4" SELF-ADJUSTING NUT		02
12	0503010014	3/4" NUT		08
13	0503010013	5/8" NUT		04
14	0501068994	0.3" X 3.1"LOCK PIN		02
15	0503030012	HAIR PIN		02
16	0503030430	7/16 X 2" PIN LOCK		02
17	0503013100	NYLON CLAMP		04
18	0503012693	M16 X 2 X 75 BOLT		10
19	0501013753	FLAT WASHER		10



MARCHESAN IMPLEMENTOS E MÁQUINAS AGRÍCOLAS TATU S.A.

AV. Marchesan, 1979 - Post office box, 131 - CEP 15994-900 - Matão - SP - Brazil

Phone +55 16.3382-8282

(FAX Parts) + 55 16.3382. 8297 - (Export) + 55 16.3382.1003

e.mail: tatu@marchesan.com.br www.marchesan.com.br

Technical Publications: Elaboration

JOÃO VIRGINIO ROCHA

Technical Publications: Revision

JOSÉ DOMINGOS GASPARI

Contact Catálogo:

E-mail = jgaspari@marchesan.com.br

**ORIGINAL PARTS
TATU**

