

PCA - AGRICULTURAL FRONT LOADER

PCA 600 MF 265 A 283-4TL ADV BT SC SL

Code: 0501092237

Series: S-0503

Revision: 00

Date Revision: AGOSTO/2018

PARTS CATALOGUE



MARCHESAN



PRODUCTS

Code	Description
0106111611	PCA 600 MF265A283-4 TL AD BT SC SL S-0503

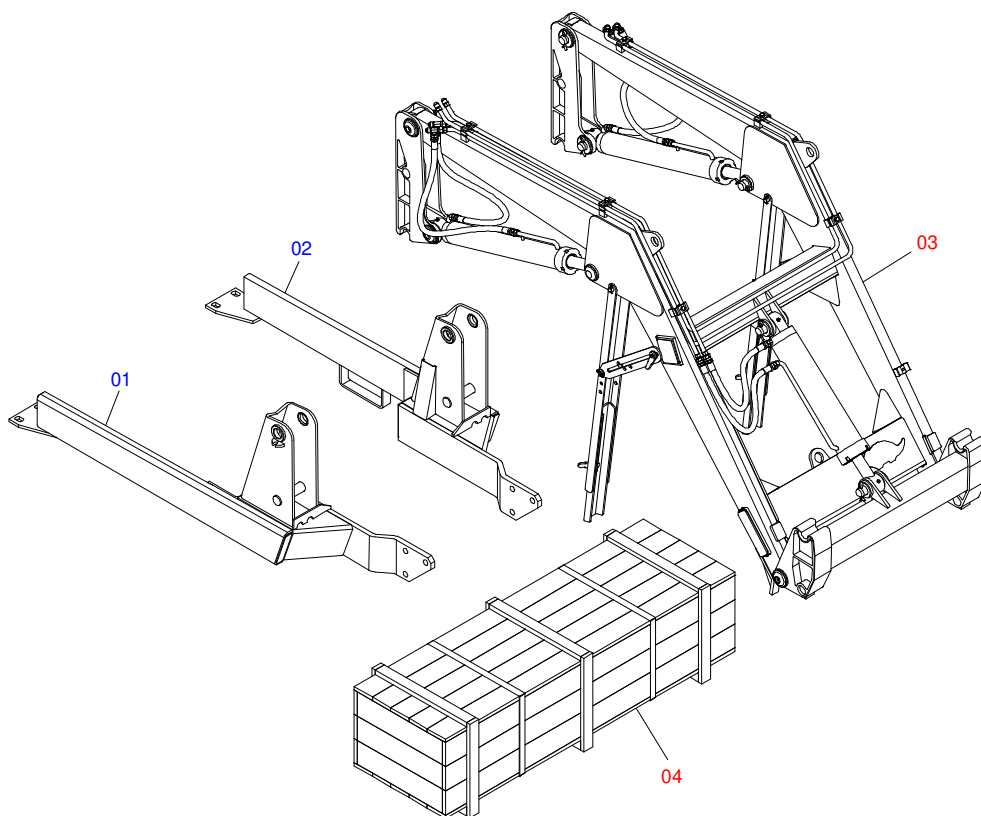
ATTENTION: IMPORTANT

Marchesan S.A. reserves the right to improve and/or modify the technical features of its products, without obligation to do the same with those products already sold and without prior knowledge of the dealer or the consumer. The photos are only illustrative.

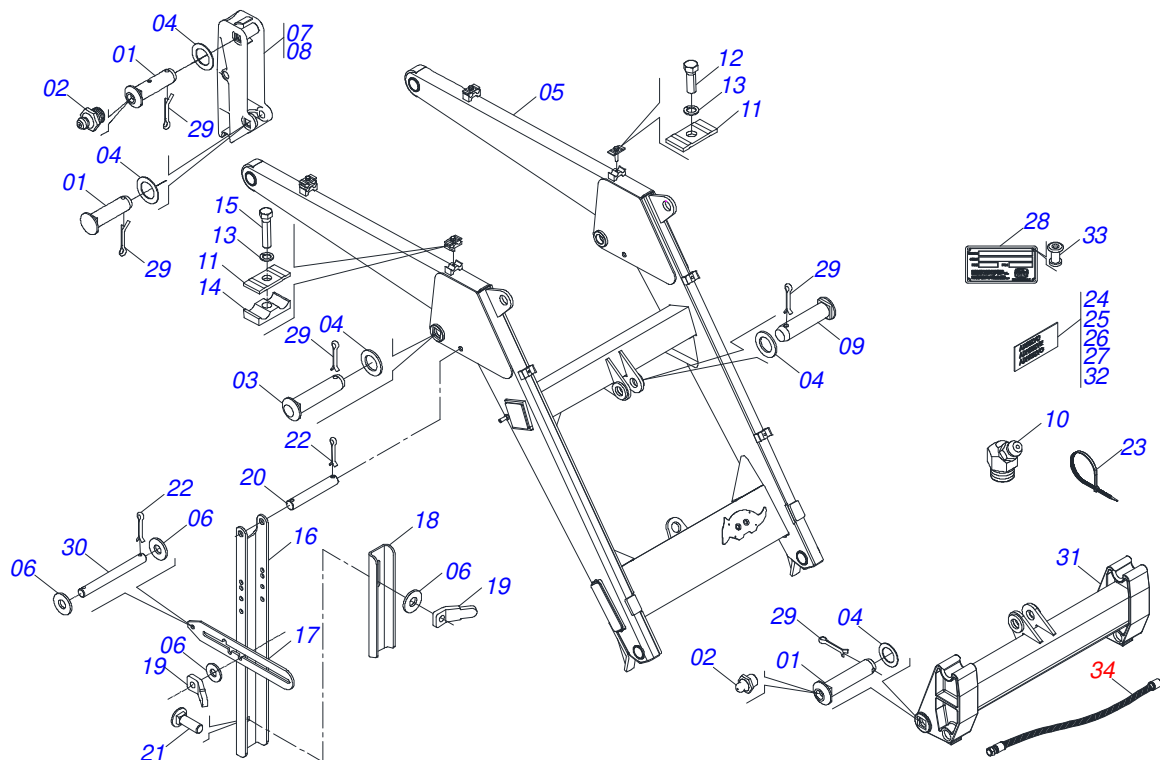


INDEX

0106111611	PCA 600 MF265A283-4 TL AD BT SC SL S-0503	1
0501048786	MOBILE SUPPORT	2
0909094775	HYDRAULIC CIRCUIT OF MOBILE SUPPORT	3
0521050762	44,45 X 76,20 X 865 X 555 HYDRAULIC CYLINDER	4
0521052272	44,45 X 101,60 X 668 X 418 HYDRAULIC CYLINDER - PCA 600	5
0501053834	MALE QUICK COUPLER	6
0521022659	BOX WITH COMPONENTS - PCA 600	7
0511032317	PACKAGED PARTS IN PLASTIC BAG	8



Item	Code	Description	See page	QT
01	0511060460	LEFT FRAME - PCA MF 283-4TL		01
02	0511060459	RIGHT FRAME - PCA MF 283-4 TL BT		01
03	0501048786	MOBILE SUPPORT	2	01
04	0521022659	BOX WITH COMPONENTS - PCA 600	7	01



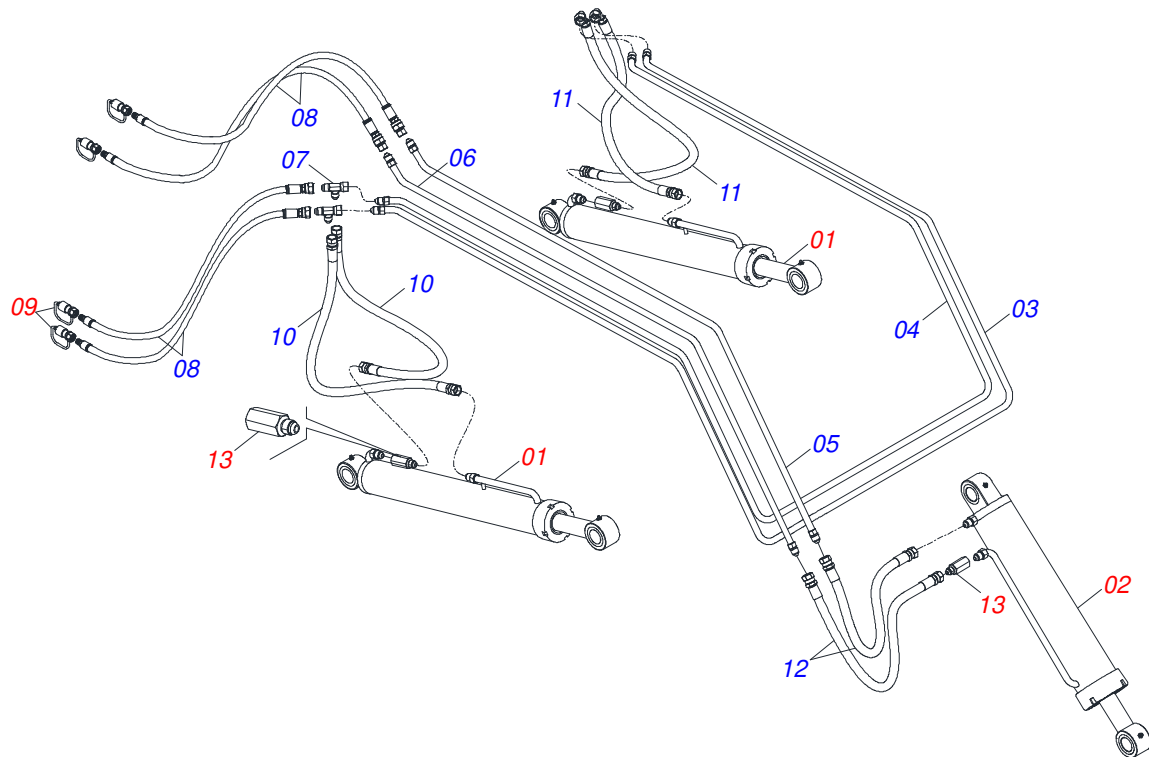
Item	Code	Description	See page	QT
01	0511019519	1.5" X 1.4" PIVOT SHAFT		06
02	0503010002	1800 GREASE FITTING		06
03	0511019521	1.5" X 1.4" PIVOT SHAFT		02
04	0511019685	FLAT WASHER		08
05	0501068663	MOBILE SUPPORT		01
06	0511017302	FLAT WASHER		08
07	0502012382	RIGHT MOBILE TOWER		01
08	0502012381	LEFT MOBILE TOWER		01
09	0521010904	1.5" X 1.4" PIVOT SHAFT		02
10	0503010003	1845 GREASE FITTING		02
11	0531011180	UPPER BODY CLIP		06
12	0503011102	BOLT 7/16 UNC X 1.1/4 C S G.5 ZN		03
13	0503010180	7/16" SPRING WASHER		06
14	0502010477	HOSE CLAMP		03
15	0503012555	SCREW 7/16 UNC X 2 CS RT G.7 ZN		03
16	0561016401	PLOUGH SUPPORT BODY		02
17	0511019634	CONTROL LOCK		02
18	0561016619	COMPLEMENTON REST		02
19	0561016329	LATCH HOLDER REST PCA		04
20	0511013598	3/4" X 4.7" COUPLING SHAFT		02
21	0503014378	1/2" X 1-1/2" BOLT		02
22	0503010071	3/16" X 1" COTTERPIN		08
23	0503013527	CLAMP ZIPER		04
24	0503031087	ADHESIVE LABEL		01
25	0503062214	ASSY LABEL ADHESIVE		01
26	0503031428	READ MANUAL DECAL		01
27	0503031827	LUBRICATE AND RETIGHTEN DAILY DECAL		01
28	0503034003	SERIAL NUMBER TAG 61 X 118		01
29	0503010534	3/8 X 2-1/2 COTTERPIN		10
30	0521012823	COUPLING SHAFT		02
31	0501068598	JOINT SUPPORT		01



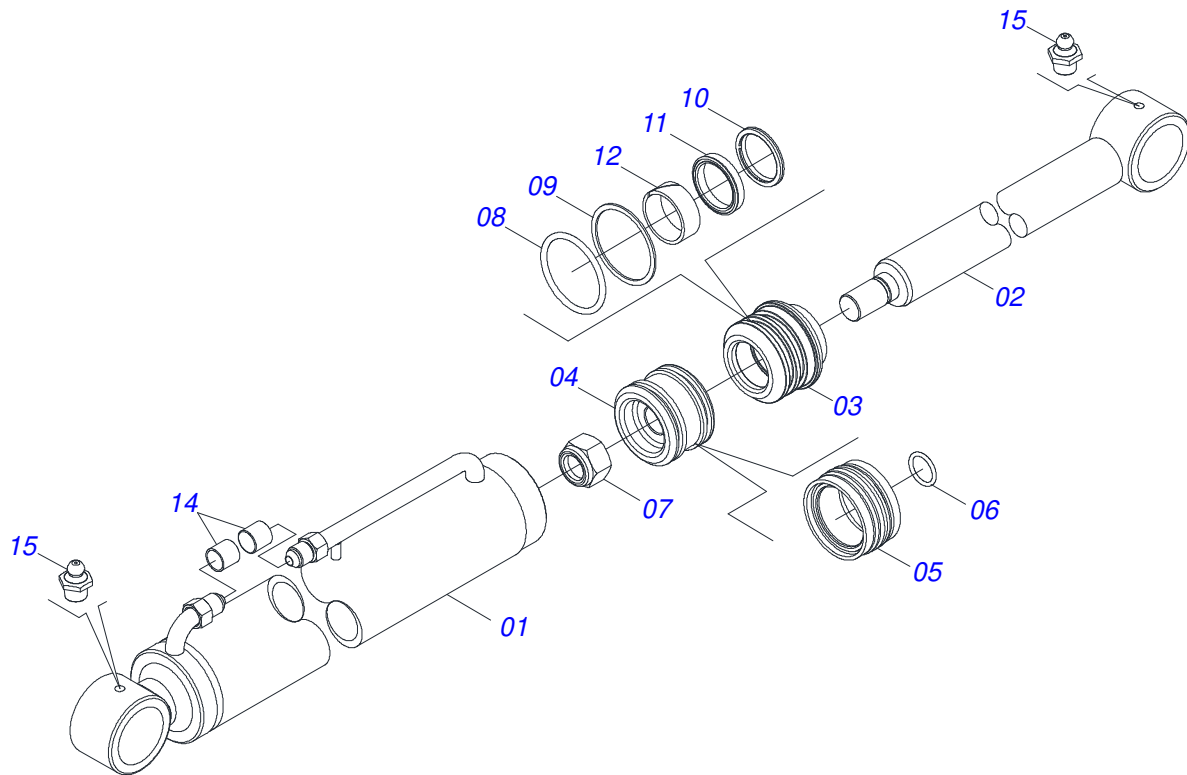
MOBILE SUPPORT

0501048786

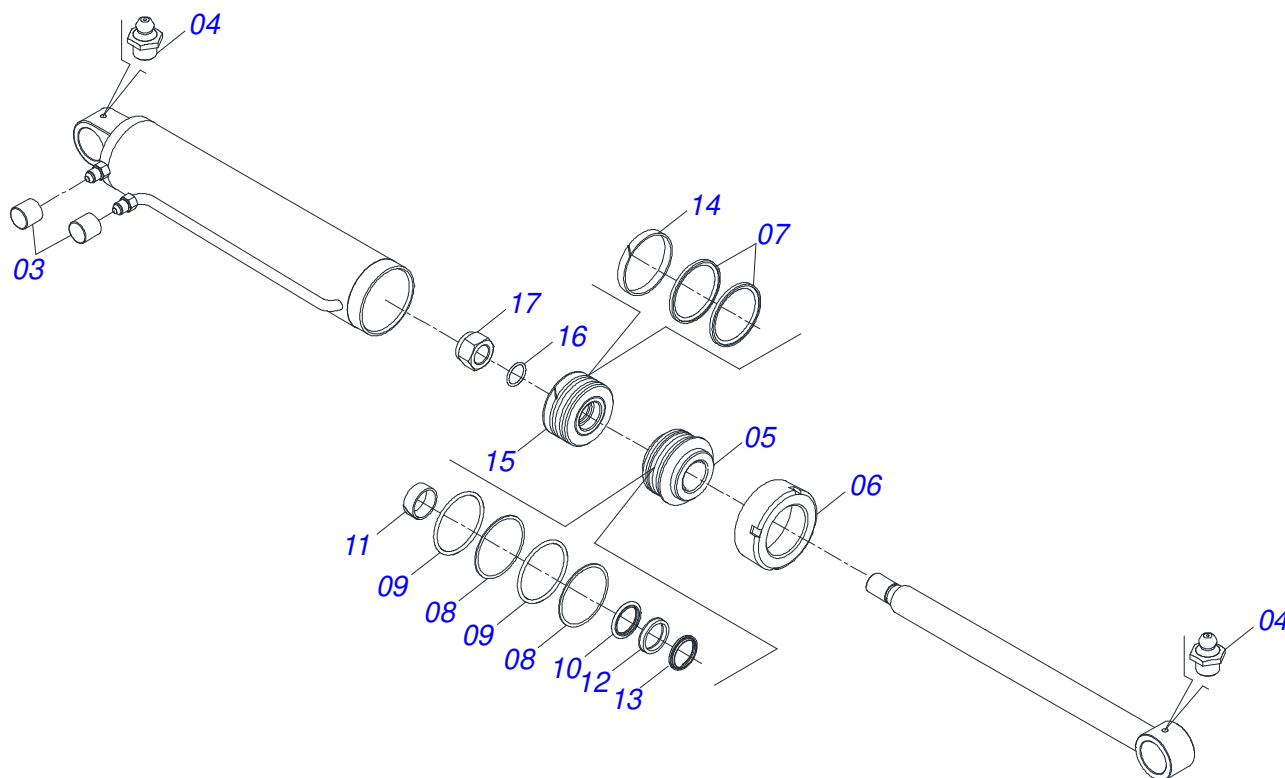
Item	Code	Description	See page	QT
32	0503034078	LIFTING POINTS DECAL		03
33	0503010001	3.2 X 5.5 RIVET		04
34	0909094775	HYDRAULIC CIRCUIT OF MOBILE SUPPORT	3	01



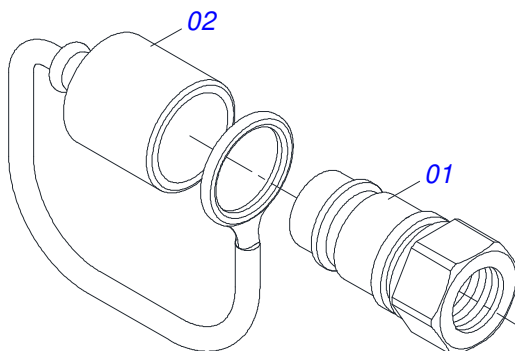
Item	Code	Description	See page	QT
01	0521050762	44,45 X 76,20 X 865 X 555 HYDRAULIC CYLINDER	4	02
02	0521052272	44,45 X 101,60 X 668 X 418 HYDRAULIC CYLINDER - PCA 600	5	01
03	0501068622	OUTER OIL TUBE		01
04	0501068621	INNER OIL TUBE		01
05	0501068615	OIL TUBE ASSY		01
06	0521062856	INTERNAL LOWER OIL DISTRIBUTOR		01
07	0503011968	3/4" 8R6X-S T ADAPTER WITH SWIVEL NUT		02
08	0501081124	HOSE 3/8" X 4200-TM TR		04
09	0501053834	MALE QUICK COUPLER	6	08
10	0501080105	3/8 X 700 TR-TR HOSE		02
11	0501080413	3/8" X 27" TR-TC HOSE		02
12	0501080635	3/8" X 19" TR-TR HOSE		02
13	0511057773	R.3/4 UNF SAFETY VALVE ASSEMBLY - PD/PCA		03



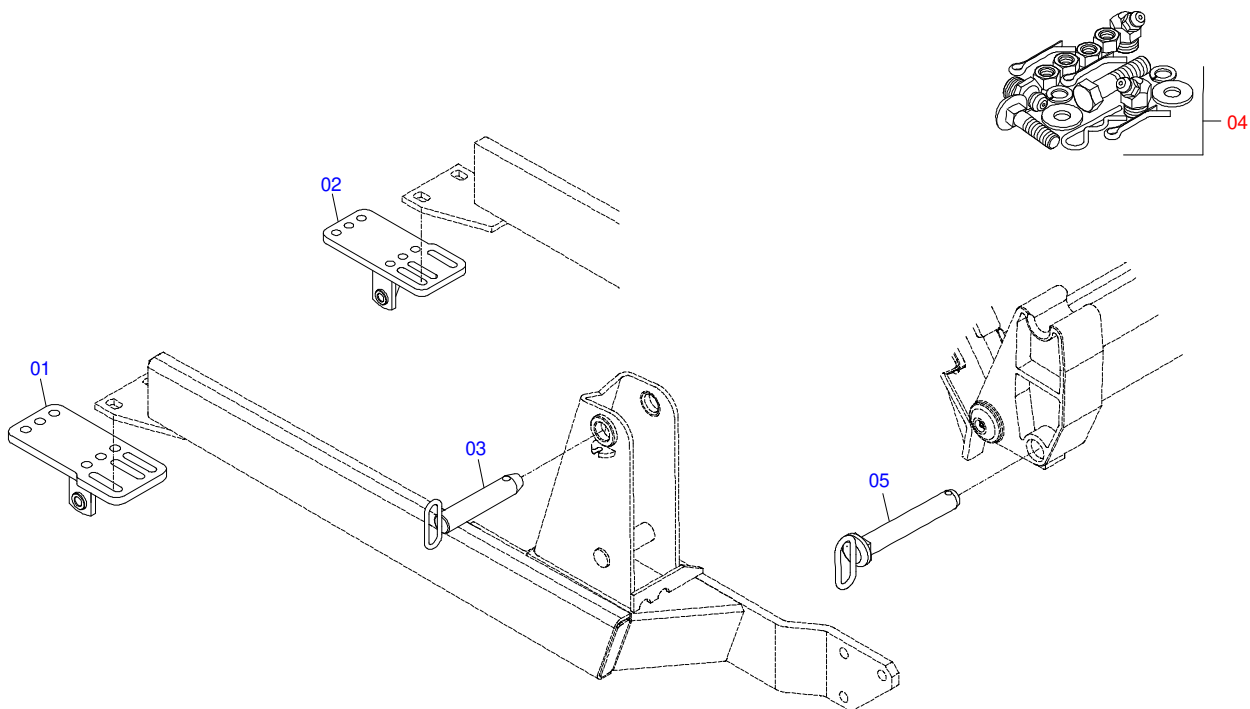
Item	Code	Description	See page	QT
01	0511071163	76,20 X 740 CYLINDER CASE		01
02	0521066424	AIR TURNBUCKLE		01
03	0581010301	RING SUPPORT		01
04	0581010304	PISTON		01
05	0503018136	ZW 007600260 AGEL RING		01
06	0503010042	2-214 N 3006-9B O'RING		01
07	0503010063	1" SELF-ALIGNING NUT		01
08	0503010343	2-334 N 3006-9B O'RING		02
09	0503011059	8-334 BACK-UP RING		02
10	0503010761	D-1750 SCRAPER RING		01
11	0503017937	GASKET		01
12	0503017938	RING GUIDE		01
13	0502011899	MOBILE COVER		01
14	0503030385	CYLINDER PLUG N-002		02
15	0503010002	1800 GREASE FITTING		02



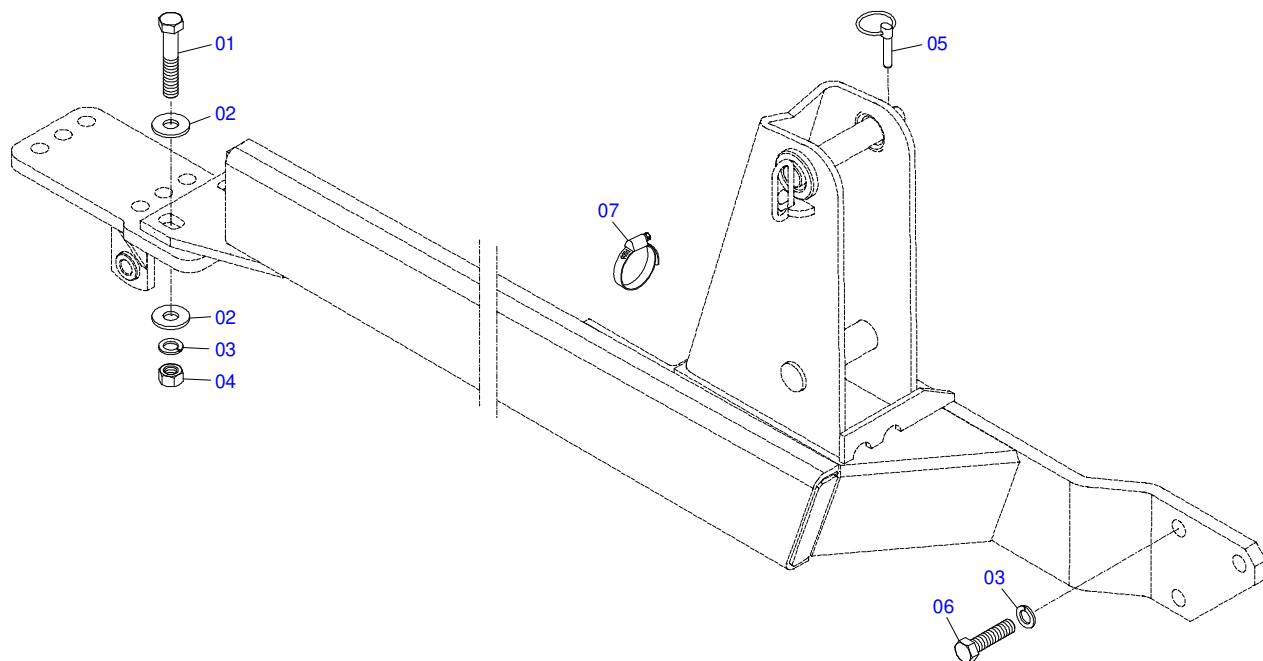
Item	Code	Description	See page	QT
01	0521068443	101,60 X 548 CYLINDER BODY - PCA 600		01
02	0521068362	44,45 X 610 EXTENDER - PCA 600		01
03	0503030385	CYLINDER PLUG N-002		02
04	0503010002	1800 GREASE FITTING		02
05	0581010302	RING OF SUPPORT		01
06	0502012822	101.60 END CAP		01
07	0503018158	OE 101605200211D-BR RING BS		02
08	0503011061	8-342 BACK-UP RING		02
09	0503010338	2-342 N 3006-9B O'RING		02
10	0503017936	RING		01
11	0503017938	RING GUIDE		01
12	0503017937	GASKET		01
13	0503010761	D-1750 SCRAPER RING		01
14	0503010994	W2-4000-500 PK RING G.E		01
15	0581010303	PISTON 4 - PCA 600		01
16	0503018029	2-217 O'RING		01
17	0503010817	1.1/4" SELF LOCKING NUT		01



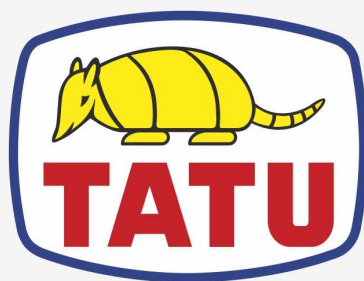
Item	Code	Description	See page	QT
01	0503011627	MALE QUICK COUPLER AGR 1/2 NPT		01
02	0503011882	MALE QUICK COUPLER CAP		01



Item	Code	Description	See page	QT
01	0501064690	RIGHT FRAME BRACKET - PD MF 270/285		01
02	0501064689	LEFT FRAME BRACKET - PD MF 270/285		01
03	0511064616	1.5" X 6.9" COUPLING SHAFT		02
04	0511032317	PACKAGED PARTS IN PLASTIC BAG	8	01
05	0521063680	HITCH PIN (185)		02



Item	Code	Description	See page	QT
01	0501010500	3/4"X3"BOLT		04
02	0501010322	FLAT WASHER		08
03	0503010023	3/4" SPRING WASHER		10
04	0503010014	3/4" NUT		04
05	0503030430	7/16 X 2" PIN LOCK		04
06	0501010098	3/4" UNC BOLT		06
07	0503010243	CLAMP		04



MARCHESAN

Technical Publications | Elaboration and Revision

JOÃO VIRGINIO ROCHA

www.marchesan.com.br

