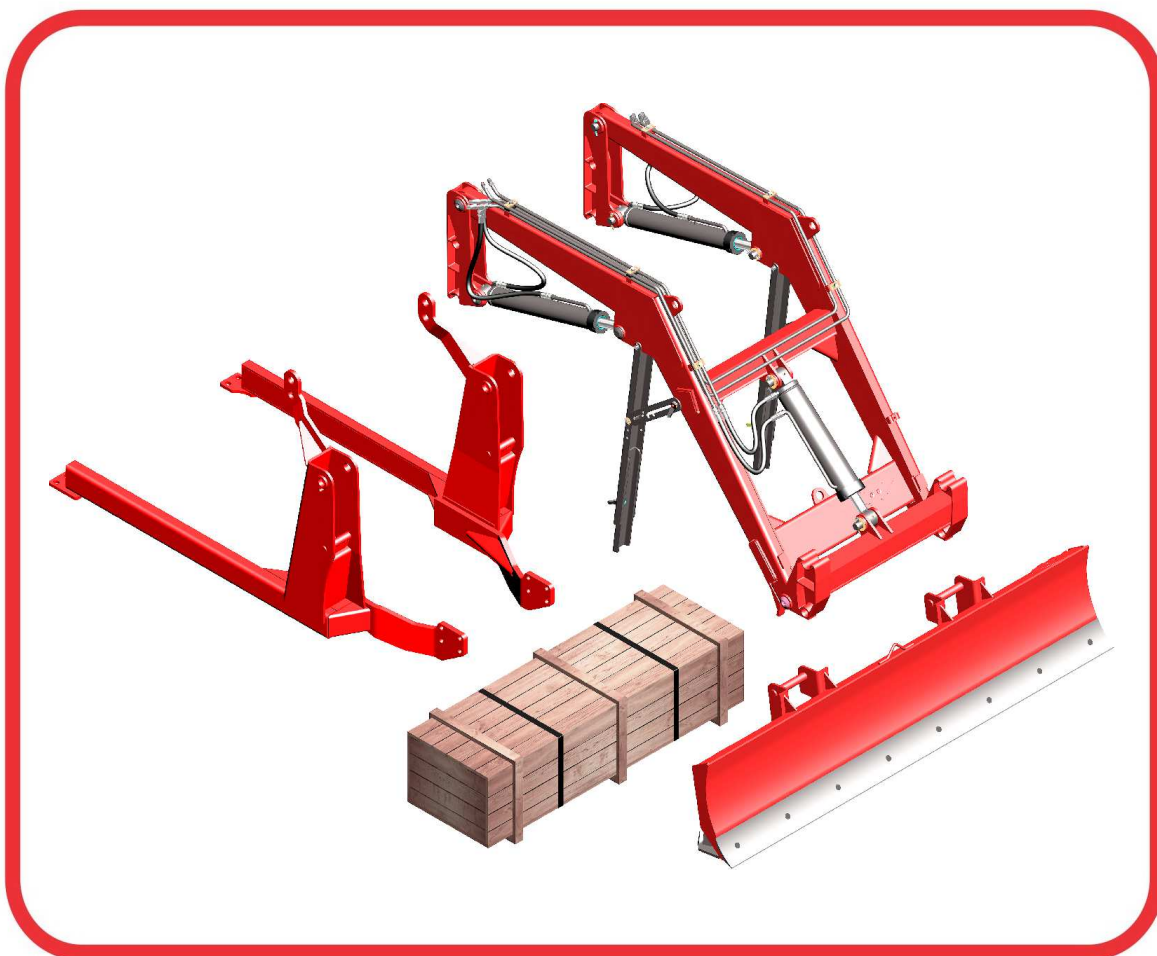


PARTS CATALOG

PCA - AGRICULTURAL FRONT LOADER

PCA 800 MF 4292-4 BT SC

Code: 0501092236



Series: S-0710

Rev.: 00

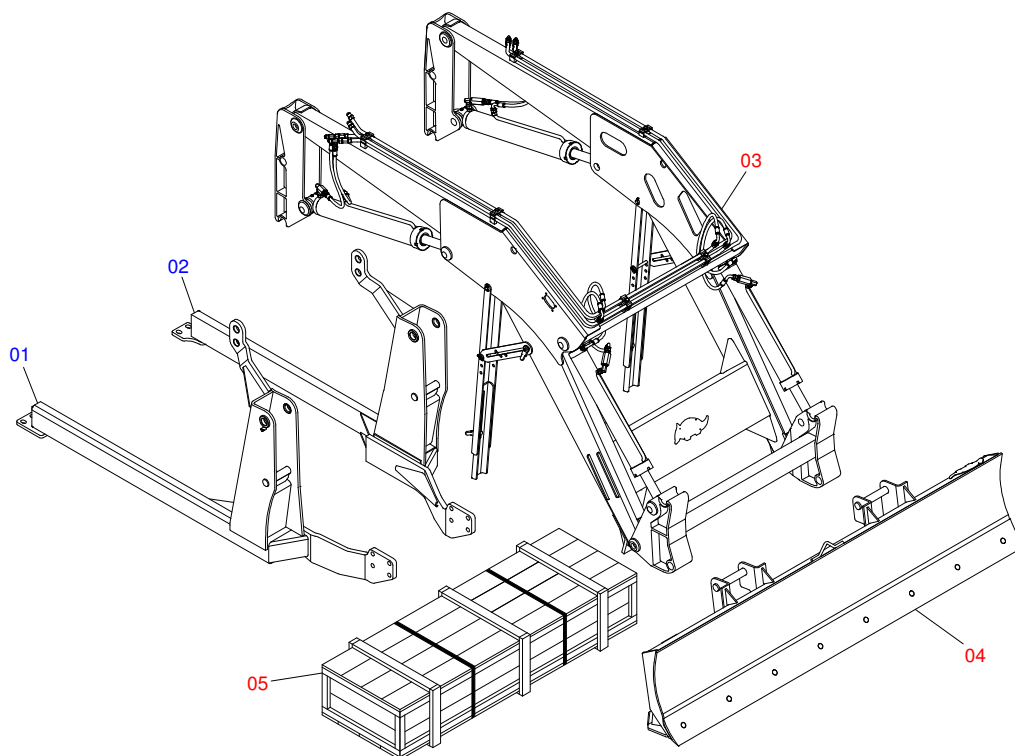
Date Rev.: AGOSTO/2018

ORIGINAL PARTS
TATU

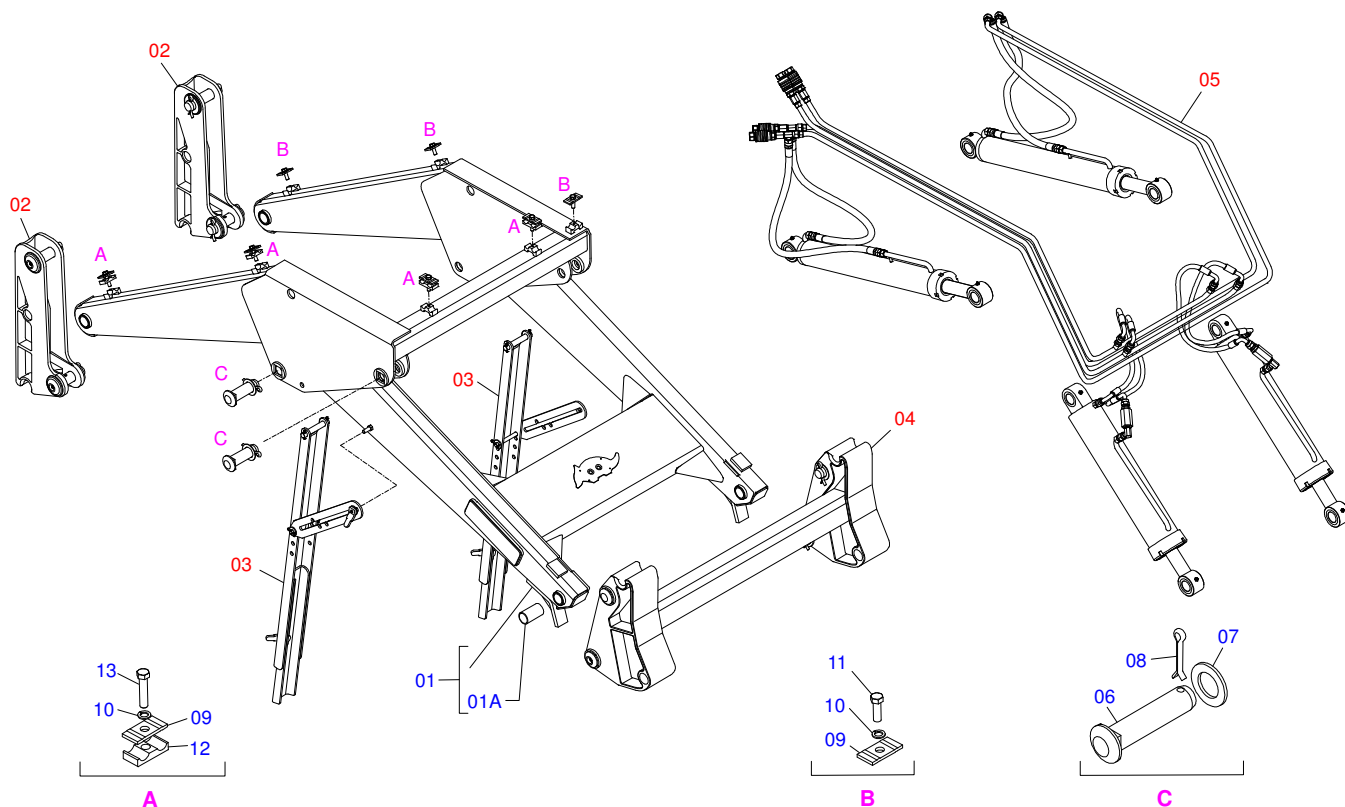


INDEX

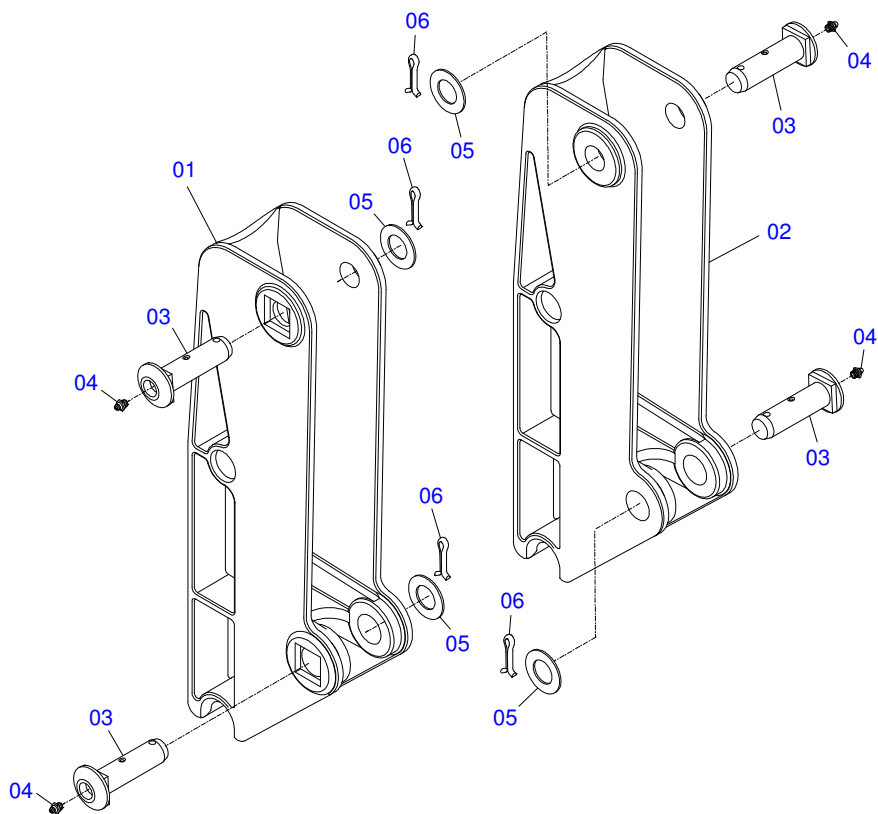
0106111166	PCA 800 MF 4292-4 BT SC	1
0511046454	COMPLETE MOVEL SUPPORT - PCA 800 BT SC	2
0909094132	MOBILLE TOWER - PCA 800	3
0909092667	ADJUSTABLE REST OF MOVABLE SUPPORT - PCA 600	4
0909093557	ARTICULATING SUPPORT - PCA 800 AX	5
0909093556	HYDRAULIC CIRCUIT OF MOBILE SUPPORT - PCA 800	6
0511057973	HIDRAULIC CYLINDER 44,45 X 76,20 X 820 X 551	7
0511057974	44,45 X 85,72 X 870 X 593 HYDRAULIC CYLINDER	8
0501053834	MALE QUICK COUPLING AGRICULTURAL WITH COVER - 1/2 NPT	9
0511057772	SECURITY VALVE SET	10
0511043382	DOZER BLADE 2400	11
0511025250	BOX WITH COMPONENTS - PCA MF4292-4 BT SC	12
0511044706	1.1/4 NC X 950 FULL ROD	13
0501037986	PACKAGED PARTS - PCA MF4292-4 BT SC	14



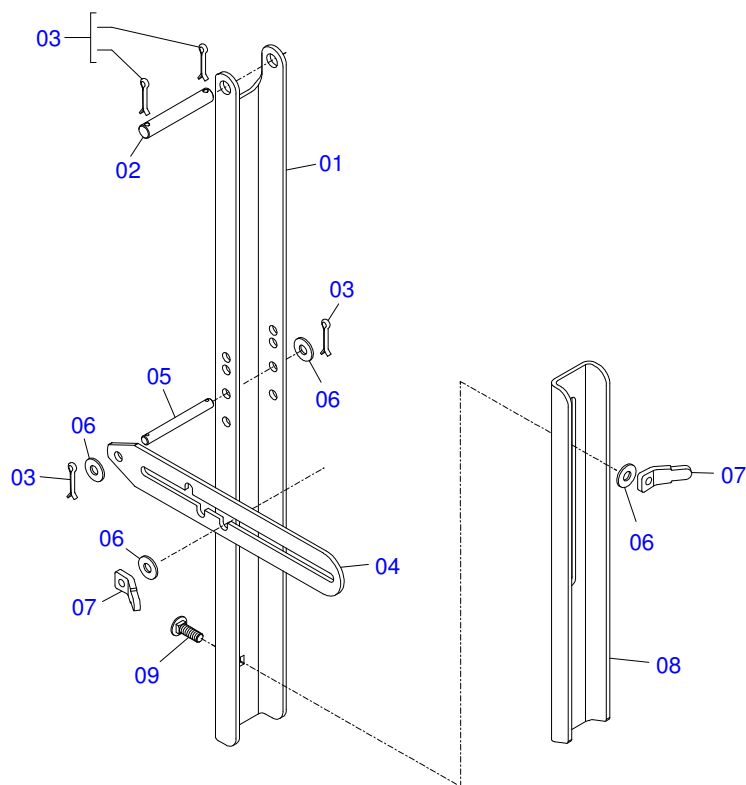
Item	Code	Description	QT
01	0521061542	RIGHT FRAME	01
02	0521061543	LEFT CHASSIS	01
03	0511046454	COMPLETE MOVEL SUPPORT - PCA 800 BT SC	01
04	0511043382	DOZER BLADE 2400	01
05	0511025250	BOX WITH COMPONENTS - PCA MF4292-4 BT SC	01



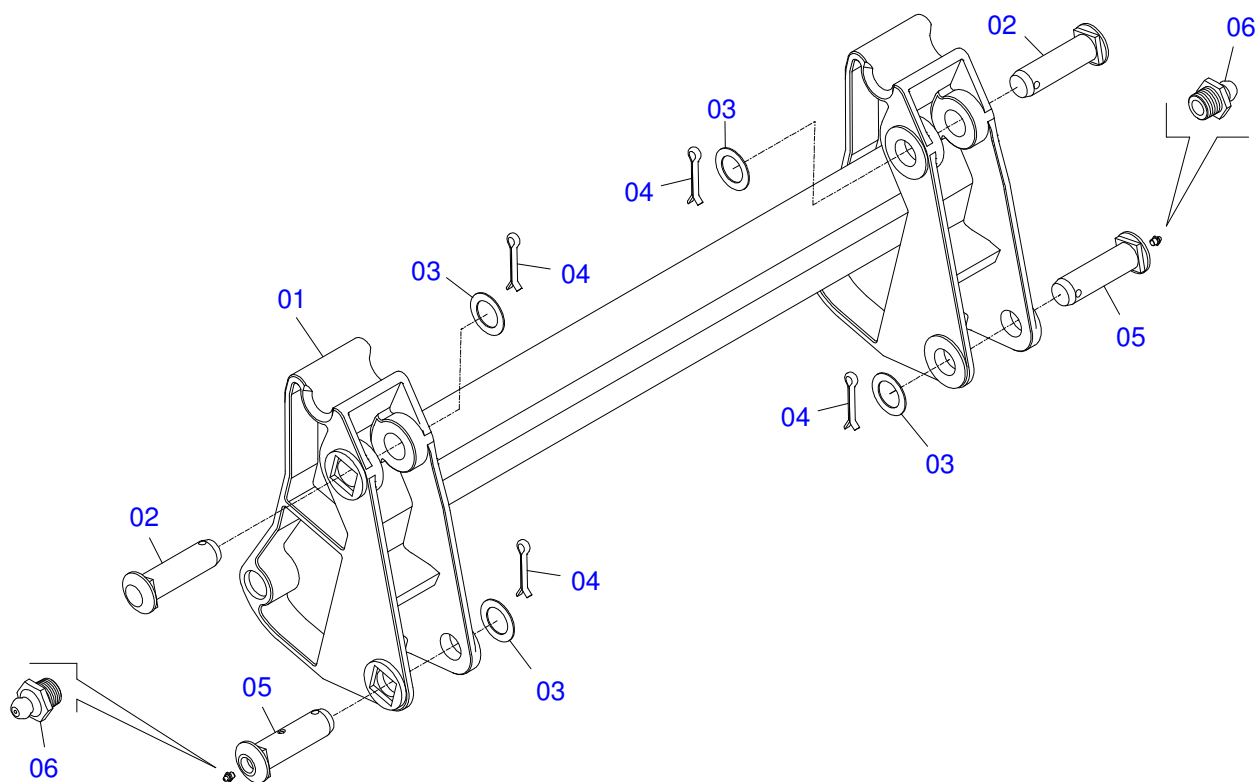
Item	Code	Description	QT
01	0511066050	MOBILE SUPPORT	01
01A	0501110286	SLEEVE	04
02	0909094329	MOVEL TOWER AND COMPONENTS	02
03	0909092667	ADJUSTABLE REST OF MOVABLE SUPPORT - PCA	02
04	0909093557	ARTICULATING SUPPORT - PCA 800 AX	01
05	0909093556	HYDRAULIC CIRCUIT OF MOBILE SUPPORT - PCA	01
06	0521012868	1.4" X 5" PIVOT SHAFT	04
07	0511019685	FLAT WASHER	04
08	0503010534	3/8 X 2-1/2 COTTERPIN	04
09	0531011180	UPPER BODY CLIP	06
10	0503010180	7/16" SPRING WASHER	06
11	0503011102	PARAFUSO 7/16 UNC X 1.1/4 C S G.5	03
12	0502010477	UPPER CLIP	03
13	0503012555	7/16" X 2" BOLT	03



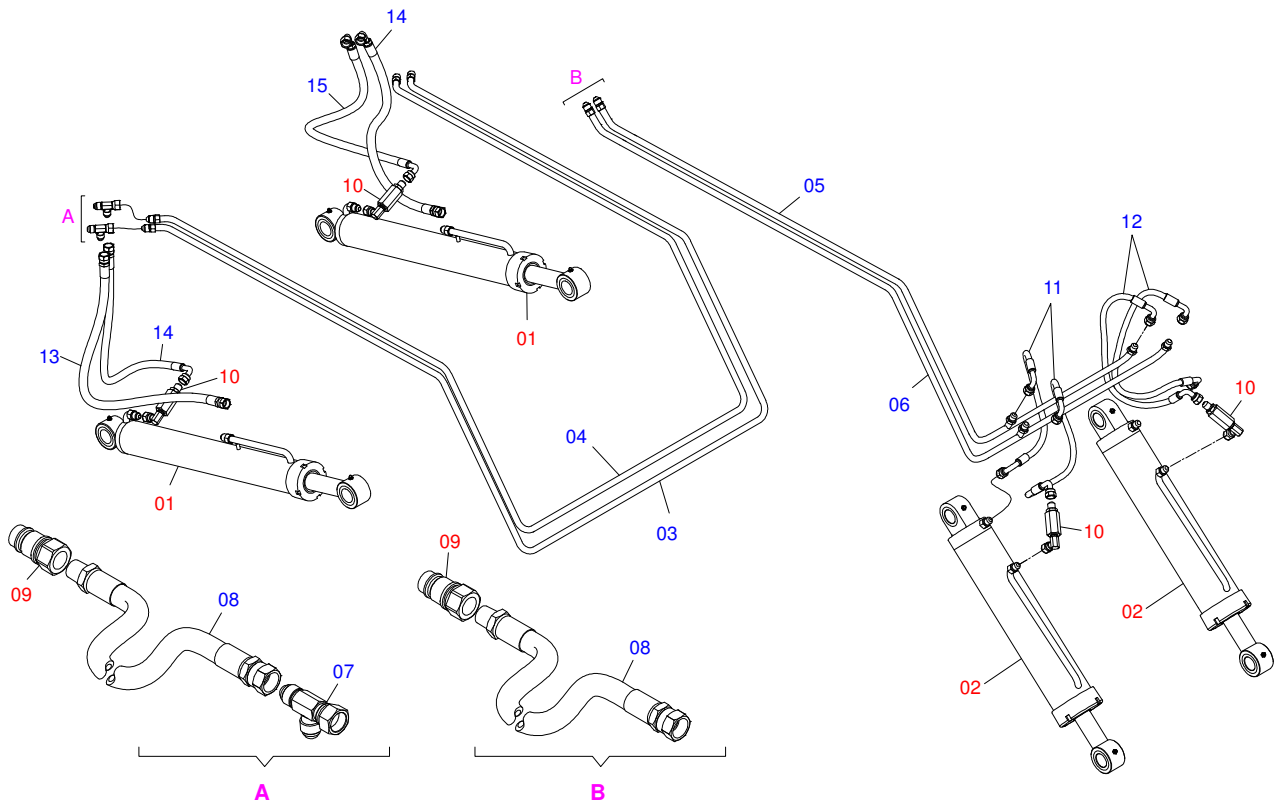
Item	Code	Description	QT
01	0502012472	MOBILE TOWER	01
02	0502012473	LEFT MOBILE TOWER	01
03	0521012870	1.46" X 6.18" PIVOT SHAFT	04
04	0503010002	1800 GREASE FITTING	04
05	0511019685	FLAT WASHER	04
06	0503010534	3/8 X 2-1/2 COTTERPIN	04



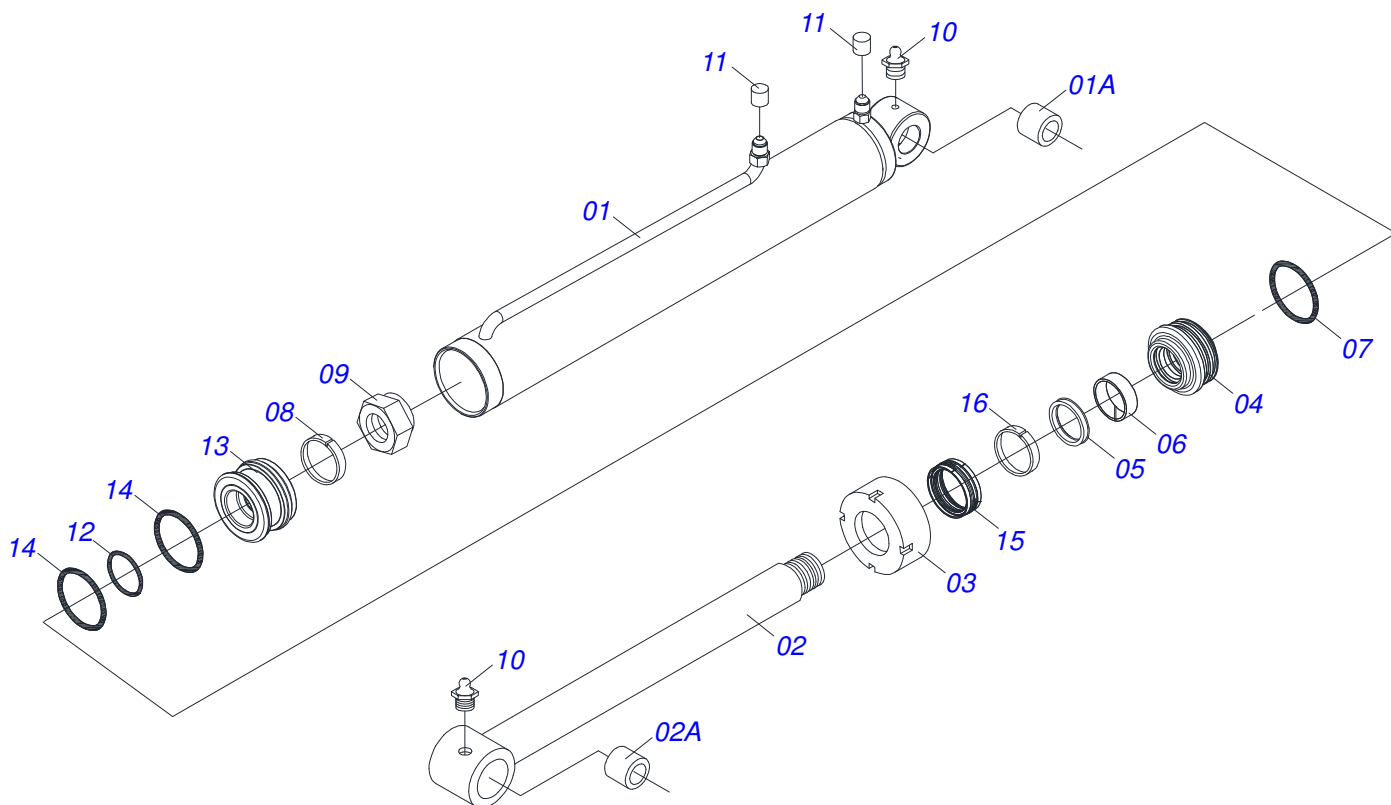
Item	Code	Description	QT
01	0561016401	PLOUGH SUPPORT BODY	02
02	0511013598	3/4" X 4.7" COUPLING SHAFT	02
03	0503010071	3/16" X 1" COTTERPIN	08
04	0511019634	CONTROL LOCK	02
05	0521012823	COUPLING SHAFT	02
06	0511017302	FLAT WASHER	08
07	0561016329	LATCH HOLDER REST PCA	04
08	0561016619	COMPLEMENTON REST	02
09	0503014378	1/2" X 1-1/2" BOLT	02



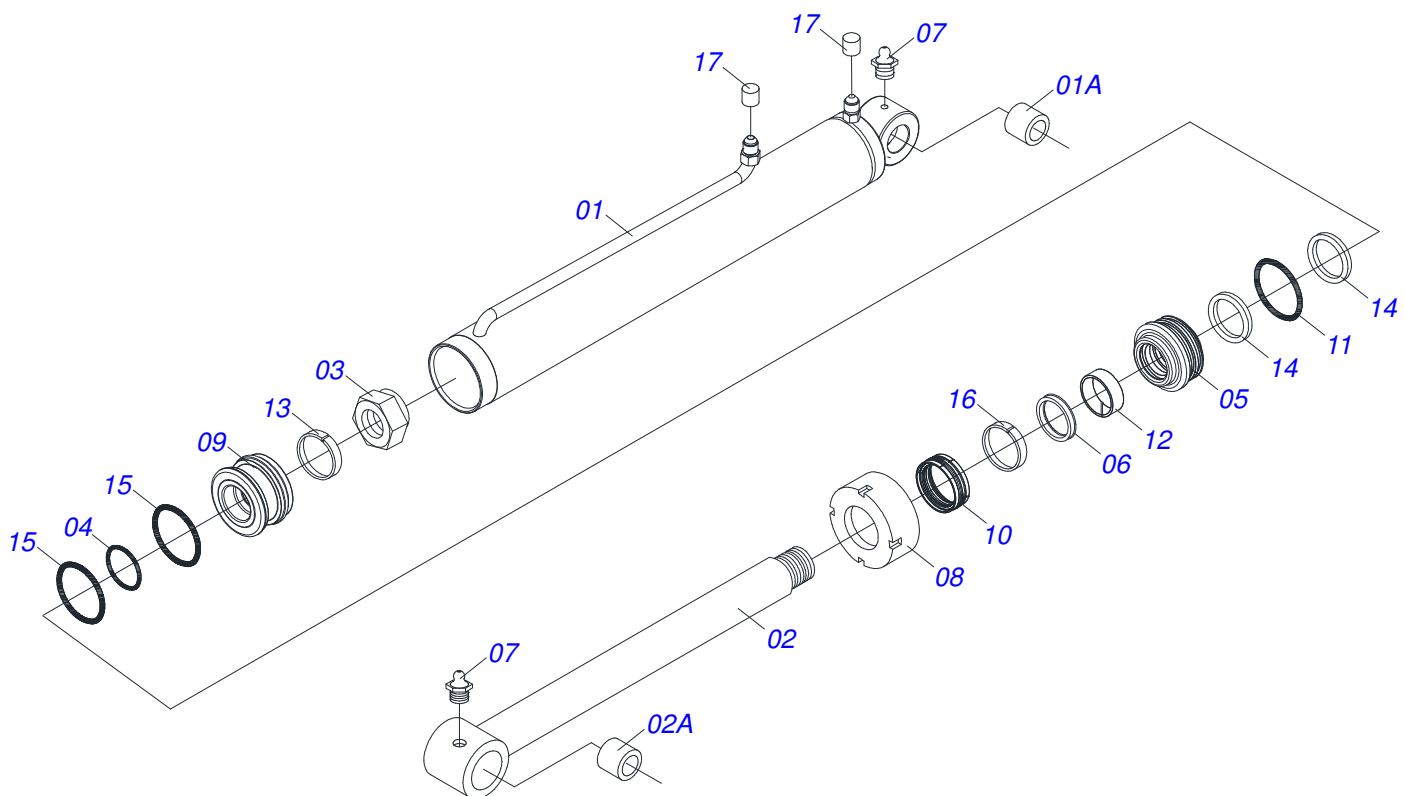
Item	Code	Description	QT
01	0501069939	PIVOT SUPPORT	01
02	0521012869	COUPLING SHAFT	02
03	0511019685	FLAT WASHER	04
04	0503010534	3/8 X 2-1/2 COTTERPIN	04
05	0521012870	1.46" X 6.18" PIVOT SHAFT	02
06	0503010002	1800 GREASE FITTING	02



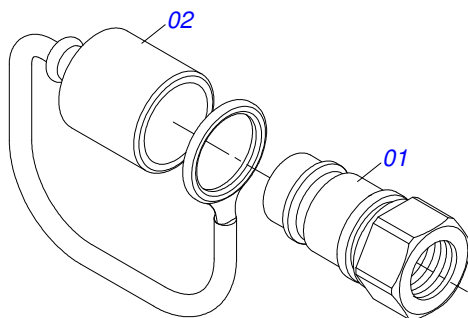
Item	Code	Description	QT
01	0511057974	44,45 X 85,72 X 870 X 593 HYDRAULIC CYLINDER	02
02	0511057973	HIDRAULIC CYLINDER 44,45 X 76,20 X 820 X 551	02
03	0521061821	OUTER DISTRIBUTOR TUBE OIL	01
04	0521061820	INNER DISTRIBUTOR TUBE OIL	01
05	0501069857	RIGHT RIGHT OIL TUBE	01
06	0501069858	LH RIGHT OIL TUBE	01
07	0503011968	T ADAPTOR WITH GIRAT	02
08	0501081124	HOSE 3/8" X 4200-TM TR	04
09	0501053834	MALE QUICK COUPLING AGRICULTURAL WITH	04
10	0511057772	SECURITY VALVE SET	04
11	0501080688	3/8" X 25" TC-TC 90G HOSE	02
12	0501080777	LH 3/8" X 25.9" TC-TC HOSE	02
13	0501080105	TR-TR HOSE ASSY	01
14	0501080150	TR-TC HOSE ASSY	02
15	0501080766	3/8" X 27.56" TC-TC HOSE	01



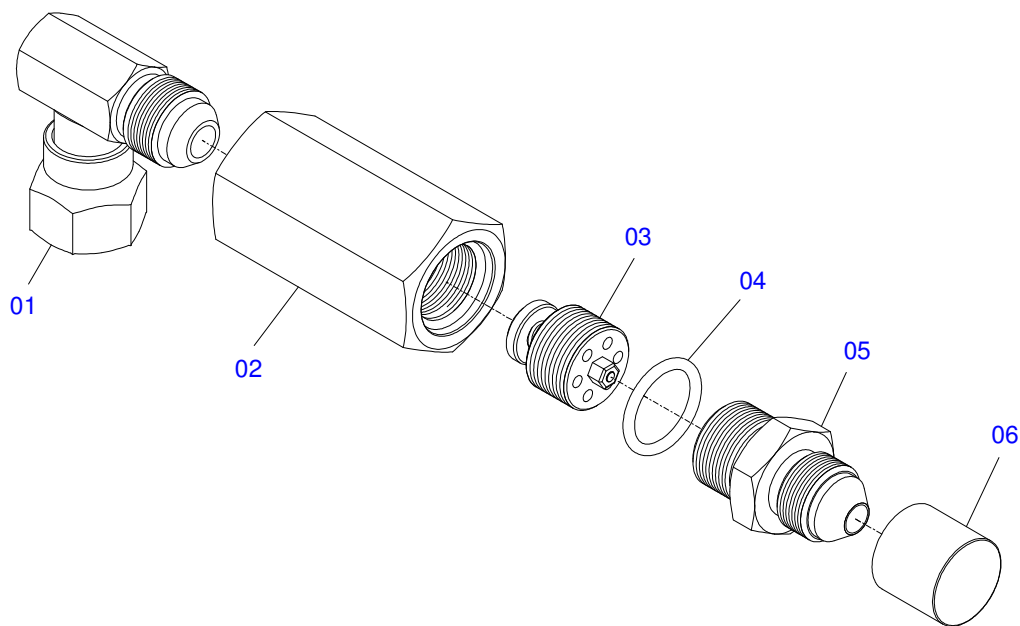
Item	Code	Description	QT
01	0521066381	CYLINDER CASE 76,20 X 723	01
01A	0521010514	38,1 X 52,9 X 50 SLEEVE INTER	01
02	0511065578	1.7" X 28.18" TURNBUCLE	01
02A	0521010514	38,1 X 52,9 X 50 SLEEVE INTER	01
03	0502011899	MOBILE COVER	01
04	0502012264	RING SUPPORT 1.75" X 3"	01
05	0503010761	D-1750 SCRAPER RING	01
06	0503010949	W2-2000-500 PK RING G.E	01
07	0503010343	2-334 N 3006-9B O'RING	01
08	0503011059	8-334 BACK-UP RING	01
09	0503010063	1" SELF-ALIGNING NUT	01
10	0503010002	1800 GREASE FITTING	02
11	0503030385	PLUG	02
12	0503010042	2-214 N 3006-9B O'RING	01
13	0581010304	PISTON	01
14	0503018138	RING BS	02
15	0503018140	RING GUIDE	01
16	0503017937	GASKET	01



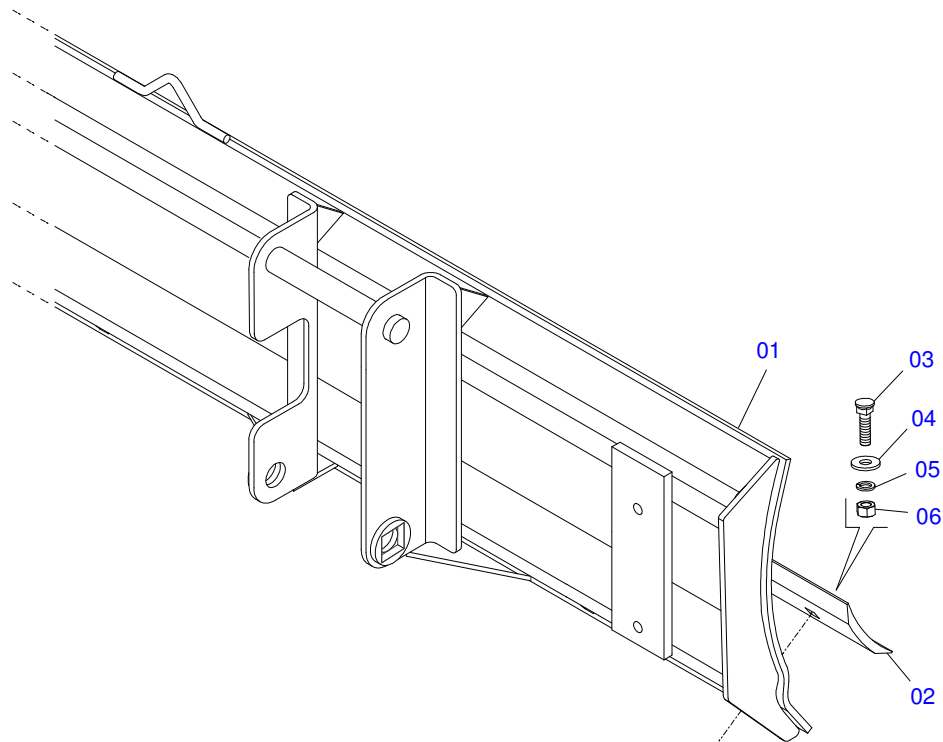
Item	Code	Description	QT
01	0511069198	BODY SHIRT WITH MAKING	01
01A	0521010514	38,1 X 52,9 X 50 SLEEVE INTER	01
02	0521066404	44,45 X 772 TURNBUCKLE	01
02A	0521010514	38,1 X 52,9 X 50 SLEEVE INTER	01
03	0503010063	1" SELF-ALIGNING NUT	01
04	0503010042	2-214 N 3006-9B O'RING	01
05	0571019711	RING SUPPORT	01
06	0503010761	D-1750 SCRAPER RING	01
07	0503010002	1800 GREASE FITTING	02
08	0571019709	DETACHABLE COVER	01
09	0571019710	1.7" X 3.4" PISTON	01
10	0503017935	RING	01
11	0503017936	RING	01
12	0503017938	RING GUIDE	01
13	0503017937	GASKET	01
14	0503017940	8-337 BACK-UP RING	02
15	0503017939	2-337 N 3006-9B O' RING	02
16	0503018144	RING	01
17	0503030385	PLUG	02



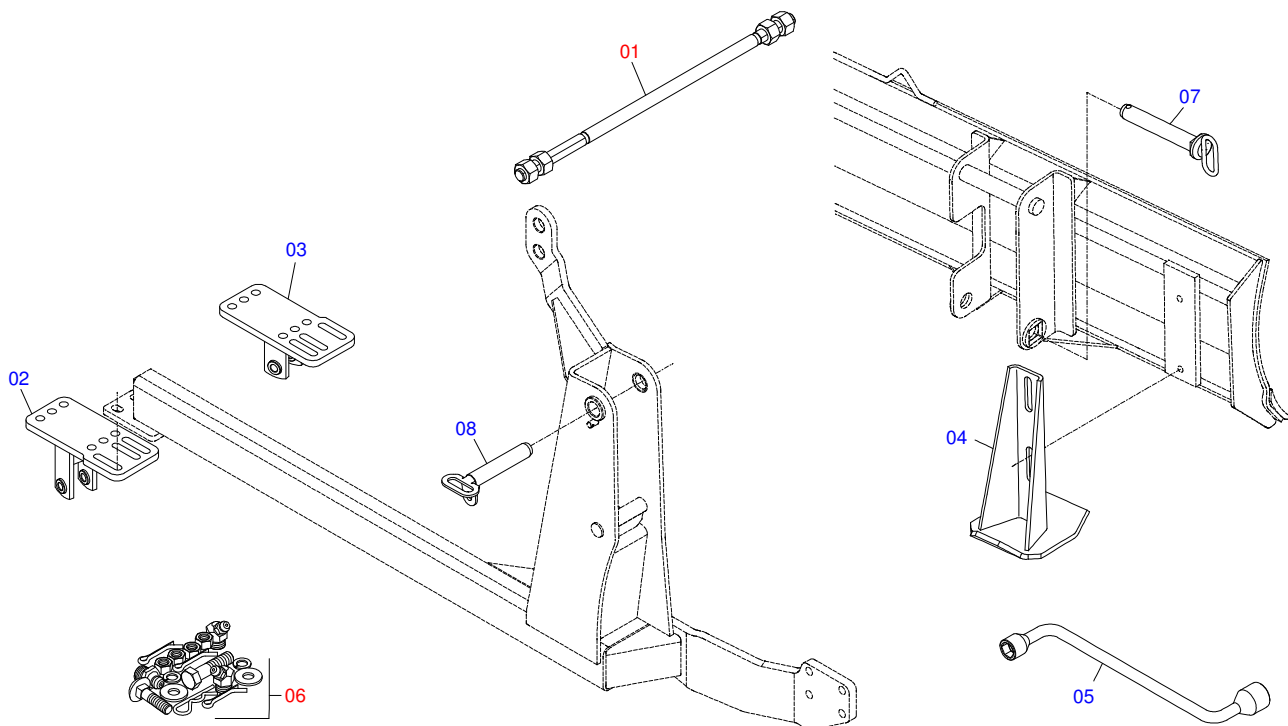
Item	Code	Description	QT
01	0503011627	QUICK CONNECTION (MALE) AGR 1/2 NPT	01
02	0503011882	QUICK CONNECTION COVER	01



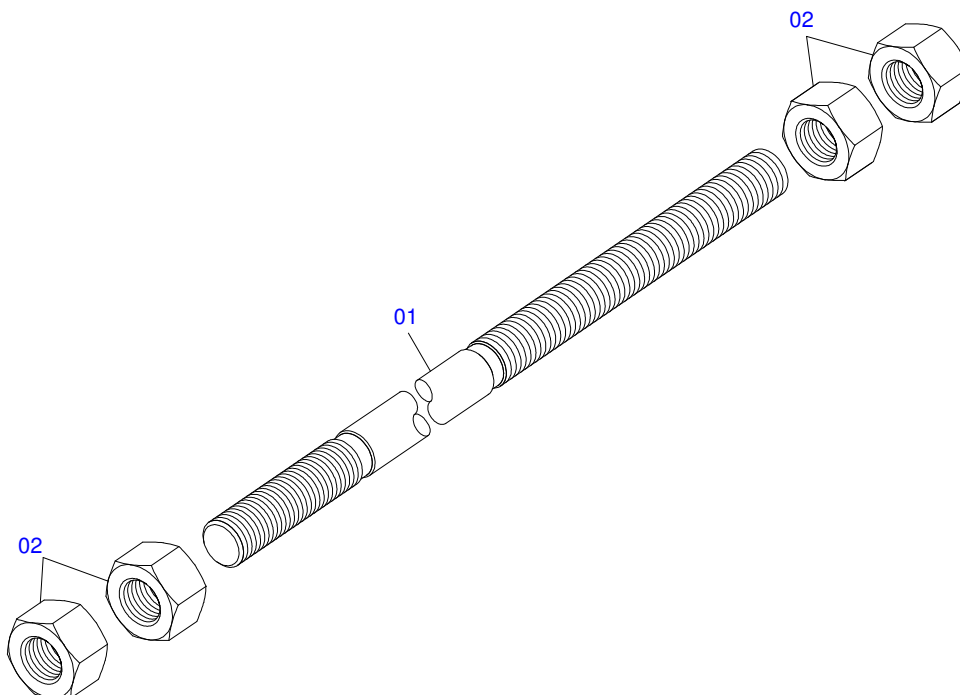
Item	Code	Description	QT
01	0503018034	MALE KNEE JIC	01
02	0581014055	ADAPTER	01
03	0503016854	VALVE ASSY	01
04	0503010045	2-116 N 3006-9B O'RING	01
05	0581014054	BSP 1/2" NIPPLE	01
06	0503030385	PLUG	01



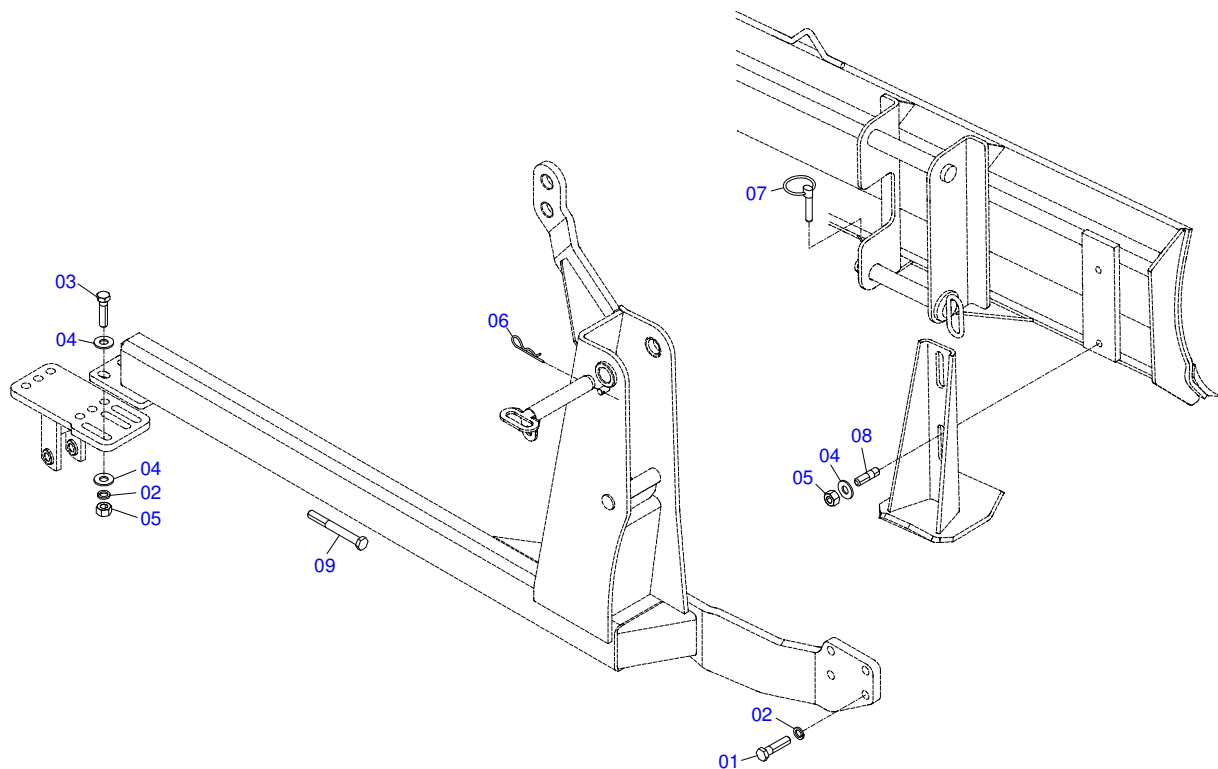
Item	Code	Description	QT
01	0501069112	2400MM DOZER BLADE	01
02	0622360016	94.5" SCRAPER REVERSIBLE	01
03	0501012240	5/8" X 2-1/2" BOLT	08
04	0501012140	FLAT WASHER	08
05	0503011445	SPRING WASHER	08
06	0503010013	5/8" NUT	08



Item	Code	Description	QT
01	0511044706	1.1/4 NC X 950 FULL ROD	01
02	0511069461	RIGHT FRAME BRACKET - MF 283-4	01
03	0511069462	LEFT FRAME MOUNTING BRACKET PD MF 283-4	01
04	0501063411	ESTABILIZER BRACKET	02
05	0501068213	5/8" WRENCH DOUBLE	01
06	0501037986	PACKAGED PARTS - PCA MF4292-4 BT SC	01
07	0521066515	37,20 X 240 ARTICULATION SHAFT WITH HANDLE	02
08	0521061681	SUPPORT FIXER AXLE	02



Item	Code	Description	QT
01	0541019517		01
02	0501010087	1.1/4" NUT	04



Item	Code	Description	QT
01	0501018059	3/4" X 2-1/4" BOLT	08
02	0503010023	SPRING WASHER	12
03	0501010500	3/4"X3"BOLT	04
04	0501010322	FLAT WASHER	12
05	0503010014	3/4" NUT	08
06	0503030012	HAIR PIN	02
07	0503030430	7/16 X 2" PIN LOCK	02
08	0561016756	3/4 UNC X 3/4 UNC X 56 PRISONER	04
09	0503010201	M10 X 1,5 X 120 BOLT	02



MARCHESAN IMPLEMENTOS E MÁQUINAS AGRÍCOLAS TATU S.A.

AV. Marchesan, 1979 - Post office box, 131 - CEP 15994-900 - Matão - SP - Brazil

Phone +55 16.3382-8282

(FAX Parts) + 55 16.3382. 8297 - (Export) + 55 16.3382.1003

e.mail: tatu@marchesan.com.br www.marchesan.com.br

Technical Publications: Elaboration

JOÃO VIRGINIO ROCHA

Technical Publications: Revision

JOÃO VIRGINIO ROCHA

Contact Catálogo:

E-mail = jgaspari@marchesan.com.br

**ORIGINAL PARTS
TATU**

