

PCA - AGRICULTURAL FRONT LOADER

PCA 600 MF 275A290-4 TC AD SHT CT GCA

Code: 0501092231
Series: S-0807
Revision: 00
Date Revision: JUNHO/2018

PARTS CATALOGUE



MARCHESAN



PRODUCTS

Code	Description
0106111605	PCA 600 MF 275A290-4 TC AD SHT CT GCA S-0807

ATTENTION: IMPORTANT

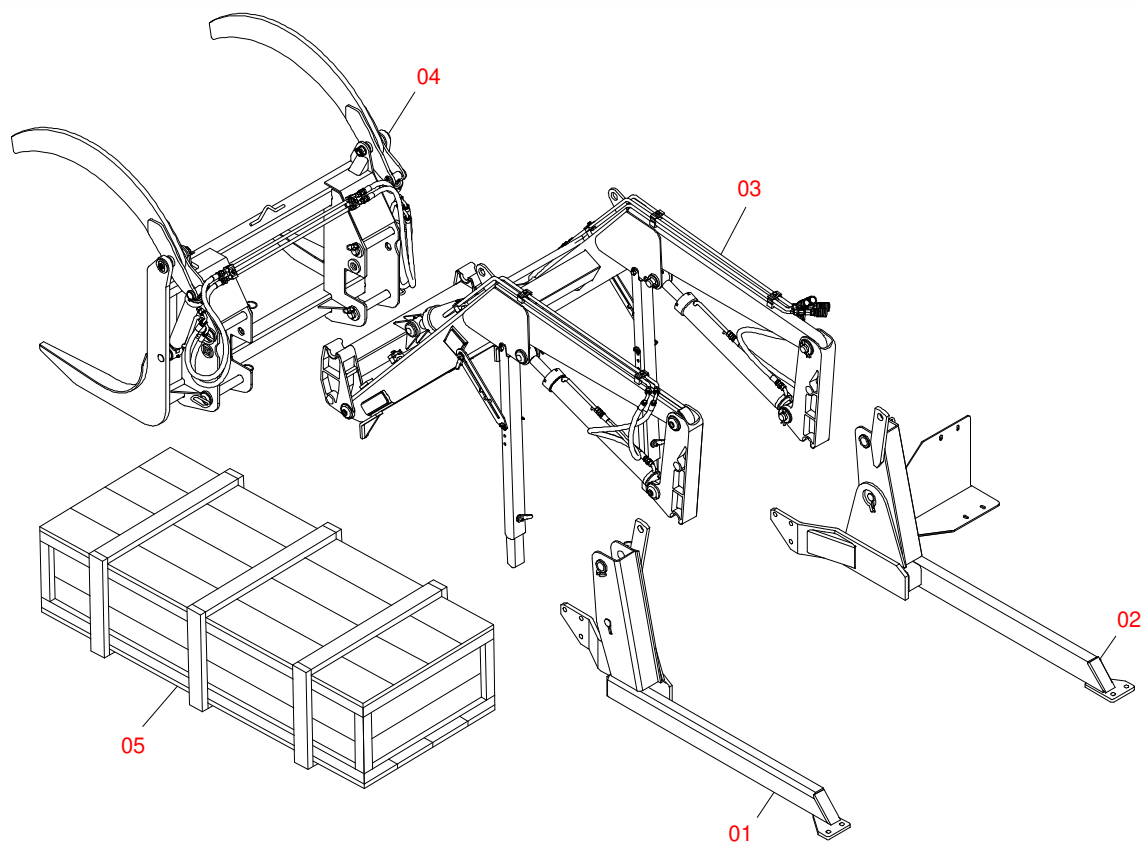
Marchesan S.A. reserves the right to improve and/or modify the technical features of its products, without obligation to do the same with those products already sold and without prior knowledge of the dealer or the consumer. The photos are only illustrative.



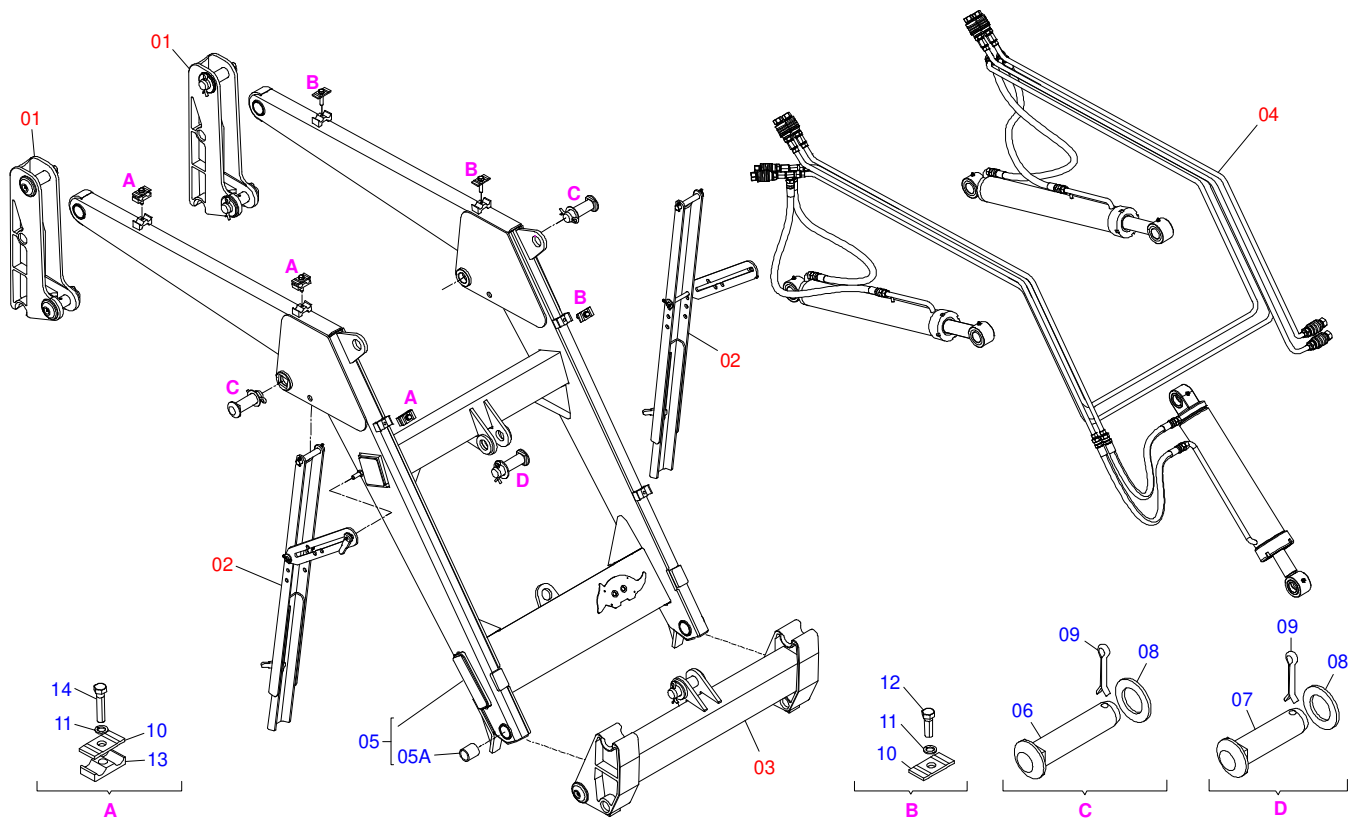
MARCHESAN

INDEX

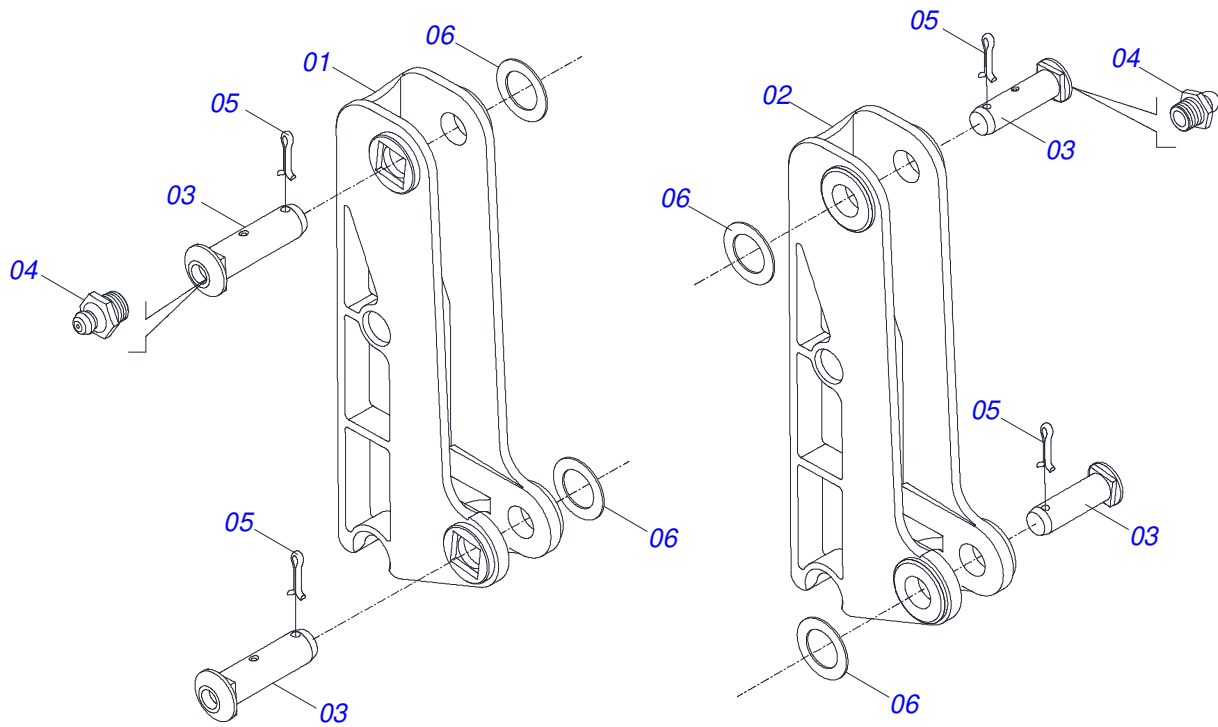
0106111605		1
0501049396	FULL MOVABLE STAND - PCA MF V78 SHT CT	2
0909094279	MOVEL TOWER AND COMPONENTS	3
0909092667	ADJUSTABLE REST OF MOVABLE SUPPORT	4
0909094309	SUPPORT ARTICULATOR - PCA 600	5
0909094310	HYDRAULIC CIRCUIT OF MOBILE SUPPORT - PCA 600	6
0521050762	44,45 X 76,20 X 865 X 555 HYDRAULIC CYLINDER	7
0521052272	44,45 X 101,60 X 668 X 418 HYDRAULIC CYLINDER - PCA 600	8
0501053834	MALE QUICK COUPLER	9
0501053835	FEMALE QUICK COUPLER	10
0501059867	AGRICULTURAL CHARGER FORK - PCA 800/1100	11
0511058883	AGRICULTURAL FORK LOADER - PCA HOSE SET	12
0511058444	HYDRAULIC CYLINDER	13
0521022368	BOX WITH COMPONENTS - PCA MF 275A290-4 TC ADV SHT CT GCA	14
0909094311	OIL RESERVOIR AND COMPONENTS	15
0501047807	OIL RESERVOIR ASSY	16
0501041108	RETURNING FILTER ASSY	17
0909094278	FRAME AND COMPONENTS	18
0501042819	1.1/4"NC X 33.46" ROD ASSY	19
0909094242	TRIPLICE COMMAND SET 1/2	20
0501048918	1/2 FULL TRIPLE COMMAND - HIDROV/DANFOSS	21
0511044482	CONTROL VALVE (P/COM 1/2 JD 6415)	22
0909094277	PUMP AND COMPLEMENTS - PCA MF 283-4TC	23
0501052129	PUMP WITH TUBE	24
0511058982	HOSE SET - PCA MF 275A290-4 TC AD SHT CT GCA	25



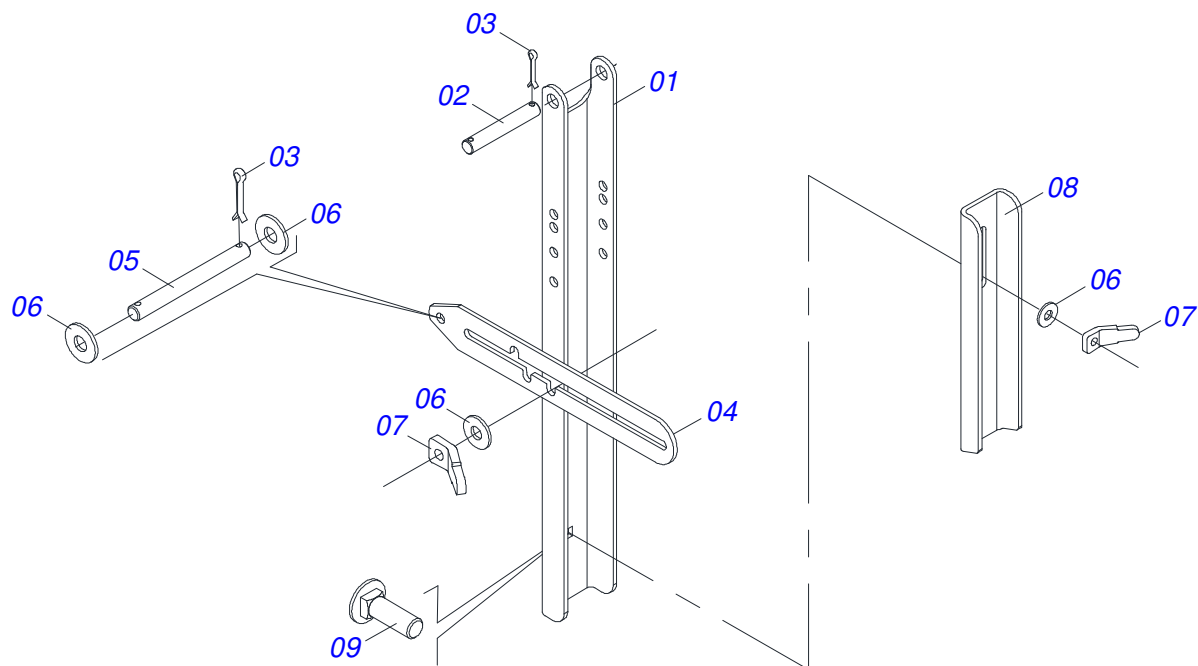
Item	Code	Description	See page	QT
001	0511069139	FRAME RIGHT - PCA MF 283-4 SHT		01
002	0511069140	LEFT FRAME		01
003	0501049396	FULL MOVABLE STAND - PCA MF V78 SHT CT	2	01
004	0501059867	AGRICULTURAL CHARGER FORK - PCA 800/1100	11	01
005	0521022368	BOX WITH COMPONENTS - PCA MF 275A290-4 TC ADV SHT CT GCA	14	01



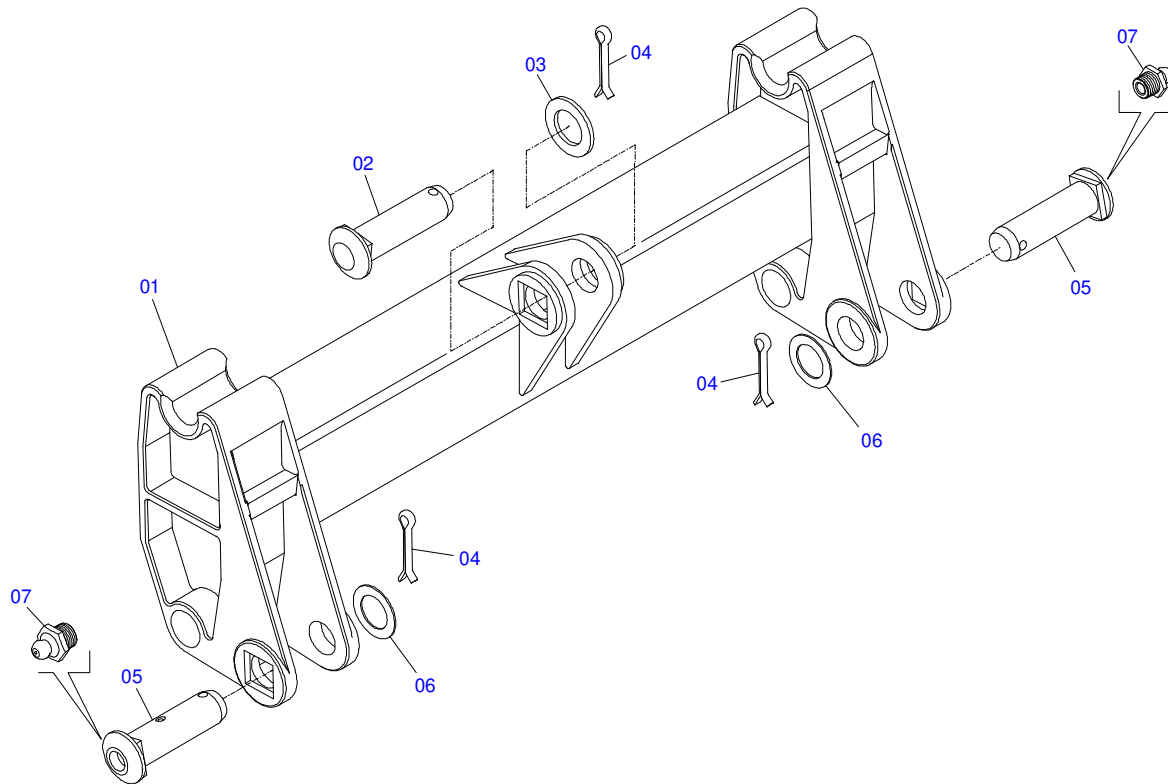
Item	Code	Description	See page	QT
01	0909094279	MOVEL TOWER AND COMPONENTS	3	02
02	0909092667	ADJUSTABLE REST OF MOVABLE SUPPORT	4	02
03	0909094309	SUPPORT ARTICULATOR - PCA 600	5	01
04	0909094310	HYDRAULIC CIRCUIT OF MOBILE SUPPORT - PCA 600	6	01
05	0501068663	MOBILE SUPPORT		01
05A	0501110253	BUSHING 37,70 X 55 X 70 PCA		04
06	0511019521	1.5" X 1.4" PIVOT SHAFT		02
07	0521010904	1.5" X 1.4" PIVOT SHAFT		01
08	0501012916	FLAT WASHER 38,50 X 66 X 4,75 ZN		03
09	0503010534	3/8 X 2-1/2 COTTERPIN		03
10	0531011180	UPPER BODY CLIP		06
11	0503010180	7/16" SPRING WASHER		06
12	0503011102	BOLT 7/16 UNC X 1.1/4 C S G.5 ZN		03
13	0502010477	HOSE CLAMP		03
14	0503012555	SCREW 7/16 UNC X 2 CS RT G.7 ZN		03



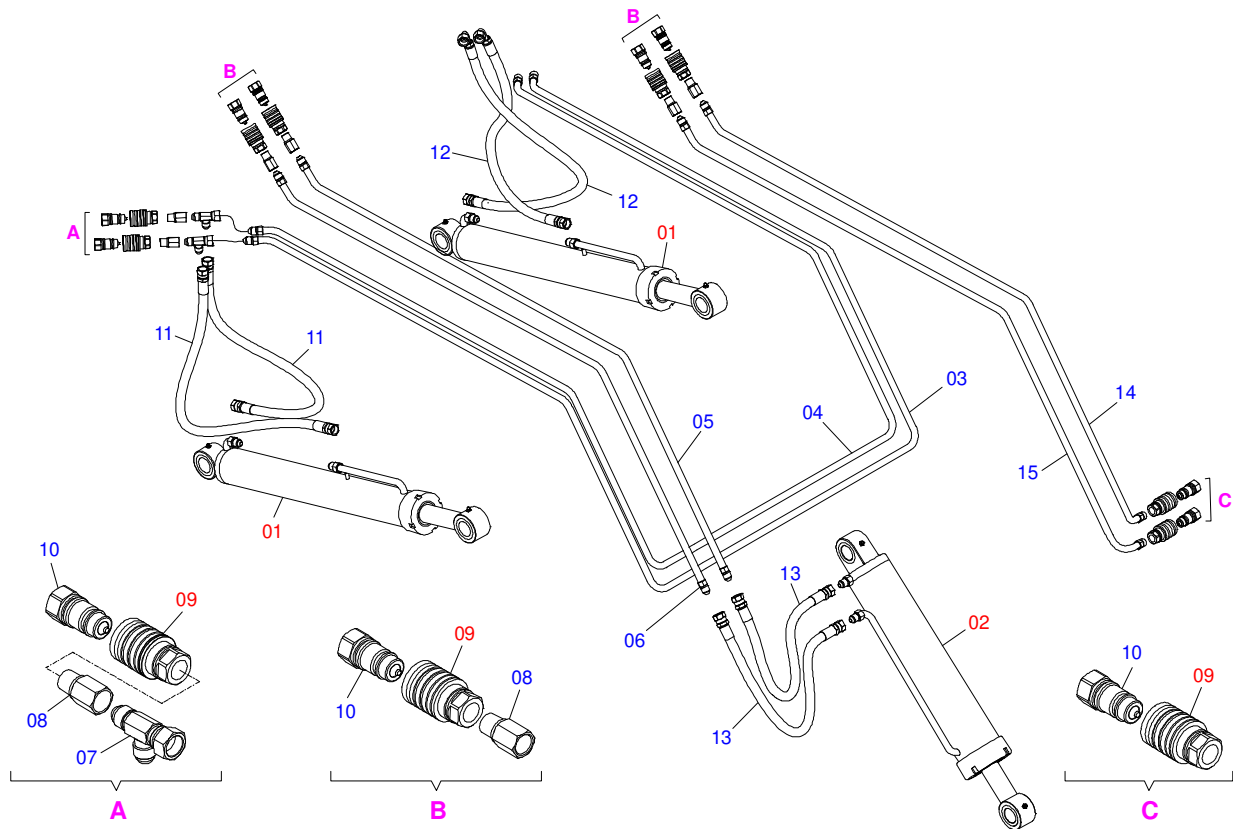
Item	Code	Description	See page	QT
01	0502012382	RIGHT MOBILE TOWER		01
02	0502012381	LEFT MOBILE TOWER		01
03	0511019519	1.5" X 1.4" PIVOT SHAFT		04
04	0503010002	1800 GREASE FITTING		04
05	0503010534	3/8 X 2-1/2 COTTERPIN		04
06	0511819685	FLAT WASHER		04



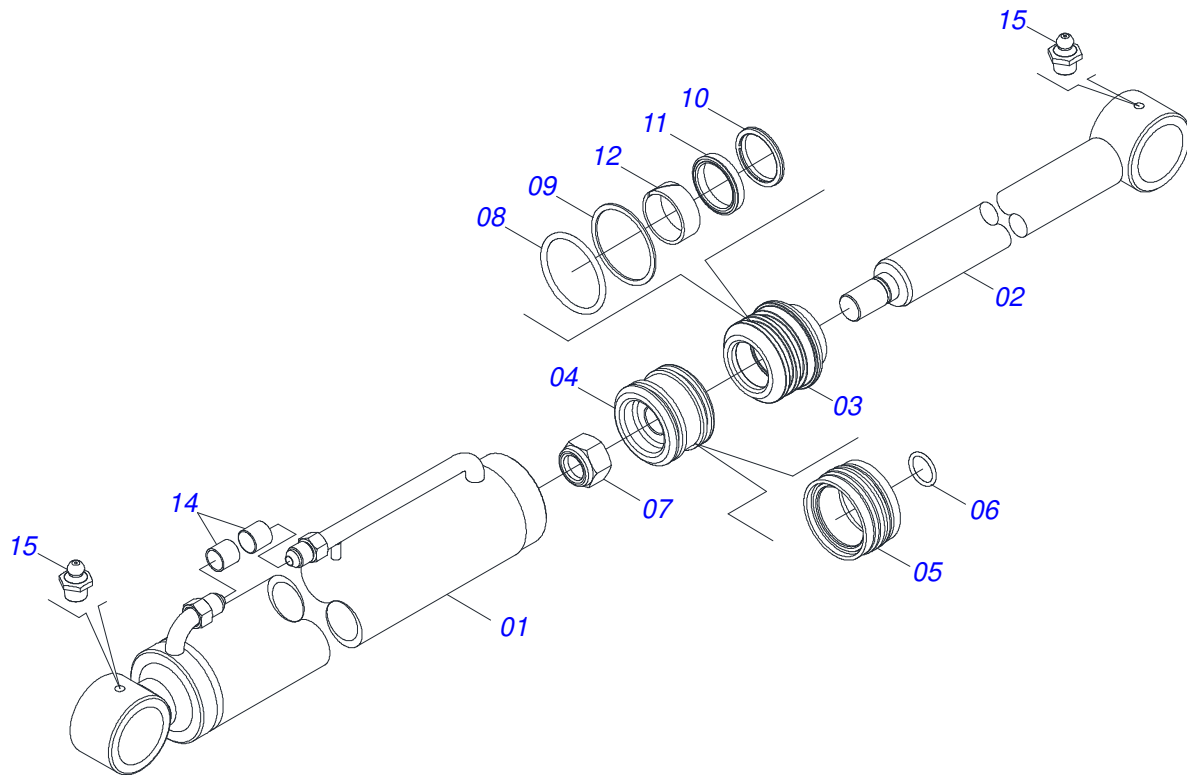
Item	Code	Description	See page	QT
01	0561016401	PLOUGH SUPPORT BODY	02	
02	0511013598	3/4" X 4.7" COUPLING SHAFT	02	
03	0503010071	3/16" X 1" COTTERPIN	08	
04	0511019634	CONTROL LOCK	02	
05	0521012823	COUPLING SHAFT	02	
06	0511017302	FLAT WASHER	08	
07	0561016329	LATCH HOLDER REST PCA	04	
08	0561016619	COMPLEMENTON REST	02	
09	0503014378	1/2" X 1-1/2" BOLT	02	



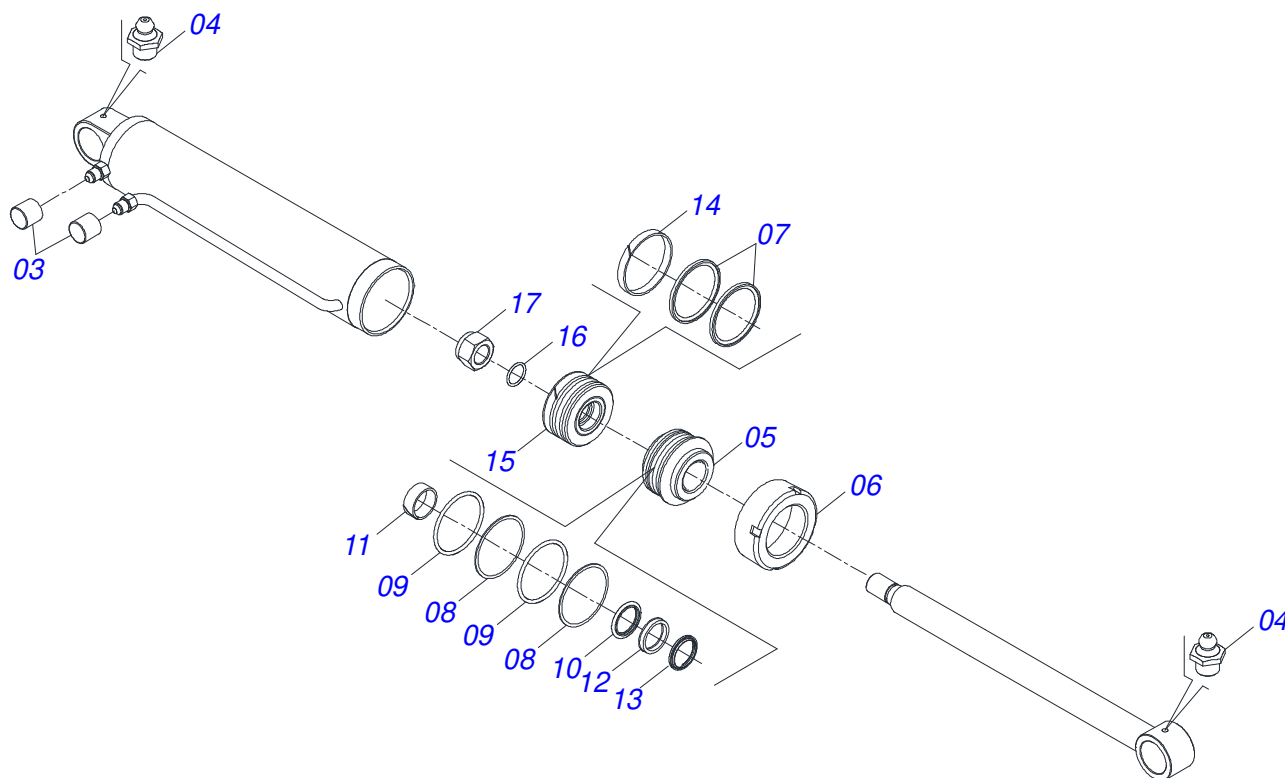
Item	Code	Description	See page	QT
01	0501068598	JOINT SUPPORT		01
02	0521010904	1.5" X 1.4" PIVOT SHAFT		01
03	0501012916	FLAT WASHER 38,50 X 66 X 4,75 ZN		01
04	0503010534	3/8 X 2-1/2 COTTERPIN		03
05	0511019519	1.5" X 1.4" PIVOT SHAFT		02
06	0511019685	FLAT WASHER		02
07	0503010002	1800 GREASE FITTING		02



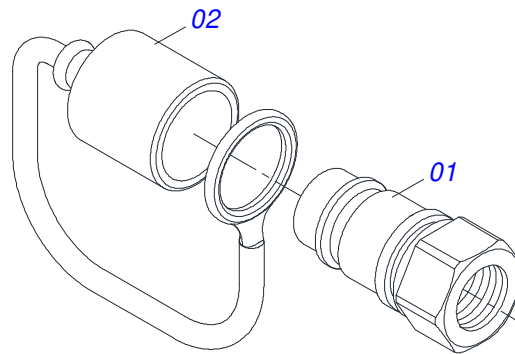
Item	Code	Description	See page	QT
01	0521050762	44,45 X 76,20 X 865 X 555 HYDRAULIC CYLINDER	7	02
02	0521052272	44,45 X 101,60 X 668 X 418 HYDRAULIC CYLINDER - PCA 600	8	01
03	0501068622	OUTER OIL TUBE		01
04	0501068621	INNER OIL TUBE		01
05	0501068615	OIL TUBE ASSY		01
06	0521062856	INTERNAL LOWER OIL DISTRIBUTOR		01
07	0503011968	3/4" 8R6X-S T ADAPTER WITH SWIVEL NUT		02
08	0511019876	1/2" NIPPLE		06
09	0501053835	FEMALE QUICK COUPLER	10	08
10	0501053834	MALE QUICK COUPLER	9	08
11	0501080105	3/8 X 700 TR-TR HOSE		02
12	0501080413	3/8" X 27" TR-TC HOSE		02
13	0501080635	3/8" X 19" TR-TR HOSE		02
14	0501068679	LEFT OIL TUBE		01
15	0501068549	RIGHT OIL TUBE		01



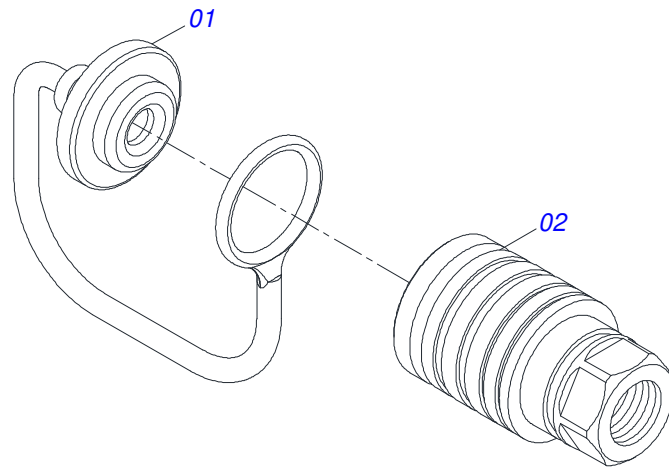
Item	Code	Description	See page	QT
01	0511071163	76,20 X 740 CYLINDER CASE		01
02	0521066424	AIR TURNBUCKLE		01
03	0581010301	RING SUPPORT		01
04	0581010304	PISTON		01
05	0503018136	ZW 007600260 AGEL RING		01
06	0503010042	2-214 N 3006-9B O'RING		01
07	0503010063	1" SELF-ALIGNING NUT		01
08	0503010343	2-334 N 3006-9B O'RING		02
09	0503011059	8-334 BACK-UP RING		02
10	0503010761	D-1750 SCRAPER RING		01
11	0503017937	GASKET		01
12	0503017938	RING GUIDE		01
13	0502011899	MOBILE COVER		01
14	0503030385	CYLINDER PLUG N-002		02
15	0503010002	1800 GREASE FITTING		02



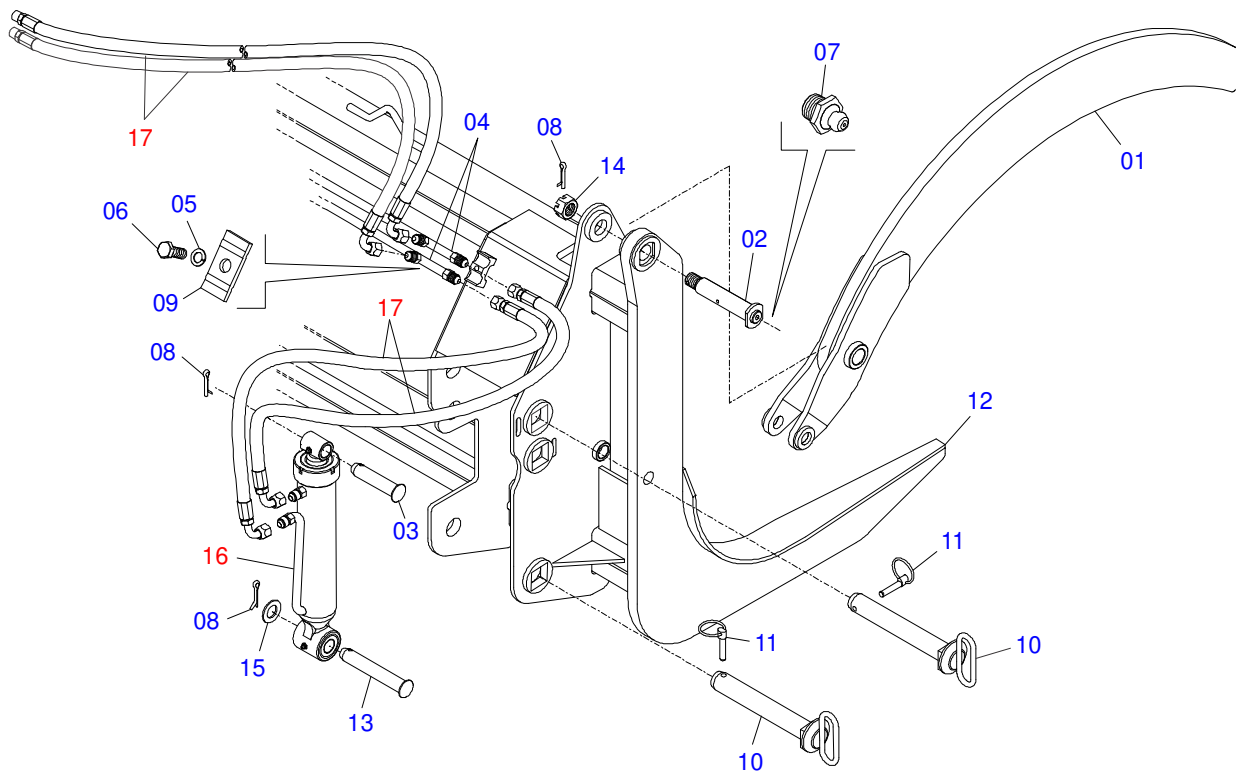
Item	Code	Description	See page	QT
01	0521068443	101,60 X 548 CYLINDER BODY - PCA 600		01
02	0521068362	44,45 X 610 EXTENDER - PCA 600		01
03	0503030385	CYLINDER PLUG N-002		02
04	0503010002	1800 GREASE FITTING		02
05	0581010302	RING OF SUPPORT		01
06	0502012822	101.60 END CAP		01
07	0503018158	OE 101605200211D-BR RING BS		02
08	0503011061	8-342 BACK-UP RING		02
09	0503010338	2-342 N 3006-9B O'RING		02
10	0503017936	RING		01
11	0503017938	RING GUIDE		01
12	0503017937	GASKET		01
13	0503010761	D-1750 SCRAPER RING		01
14	0503010994	W2-4000-500 PK RING G.E		01
15	0581010303	PISTON 4 - PCA 600		01
16	0503018029	2-217 O'RING		01
17	0503010817	1.1/4" SELF LOCKING NUT		01



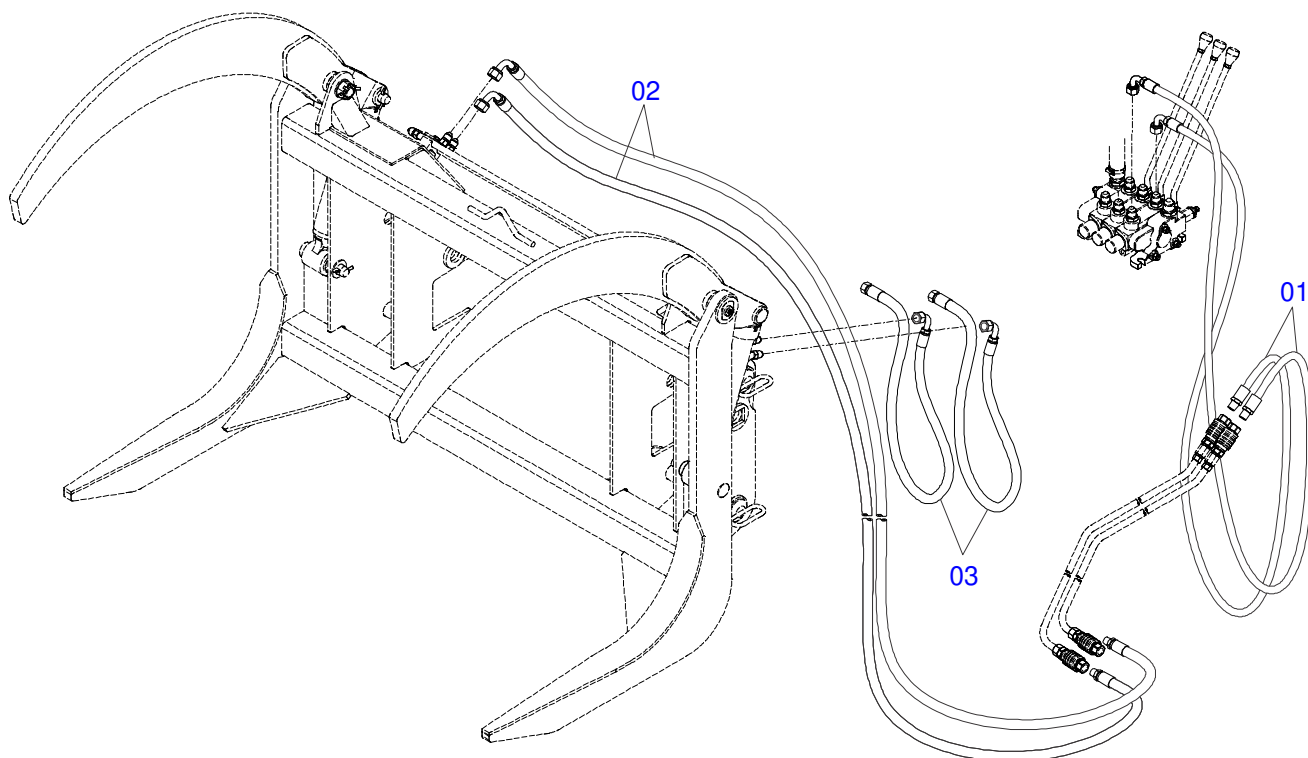
Item	Code	Description	See page	QT
01	0503011627	MALE QUICK COUPLER AGR 1/2 NPT		01
02	0503011882	MALE QUICK COUPLER CAP		01



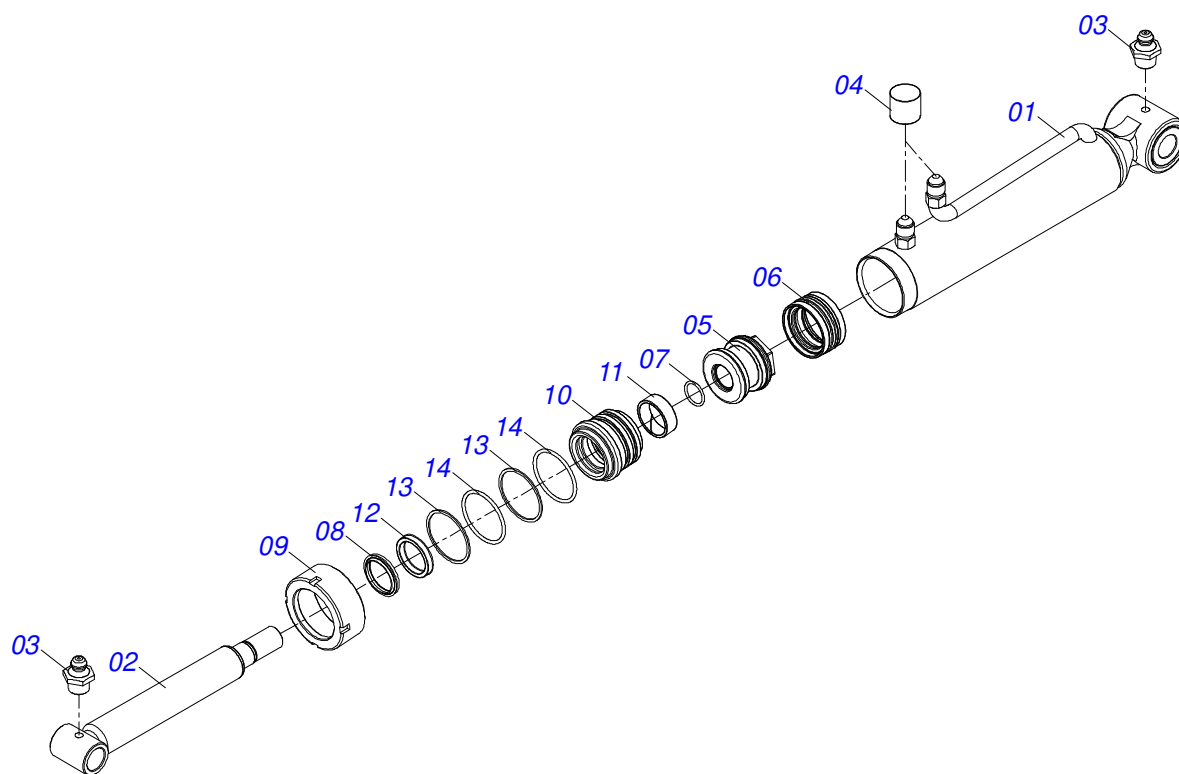
Item	Code	Description	See page	QT
01	0503011883	QUICK CONNECTION COVER		01
02	0503011628	FEMALE QUICK COUPLER		01



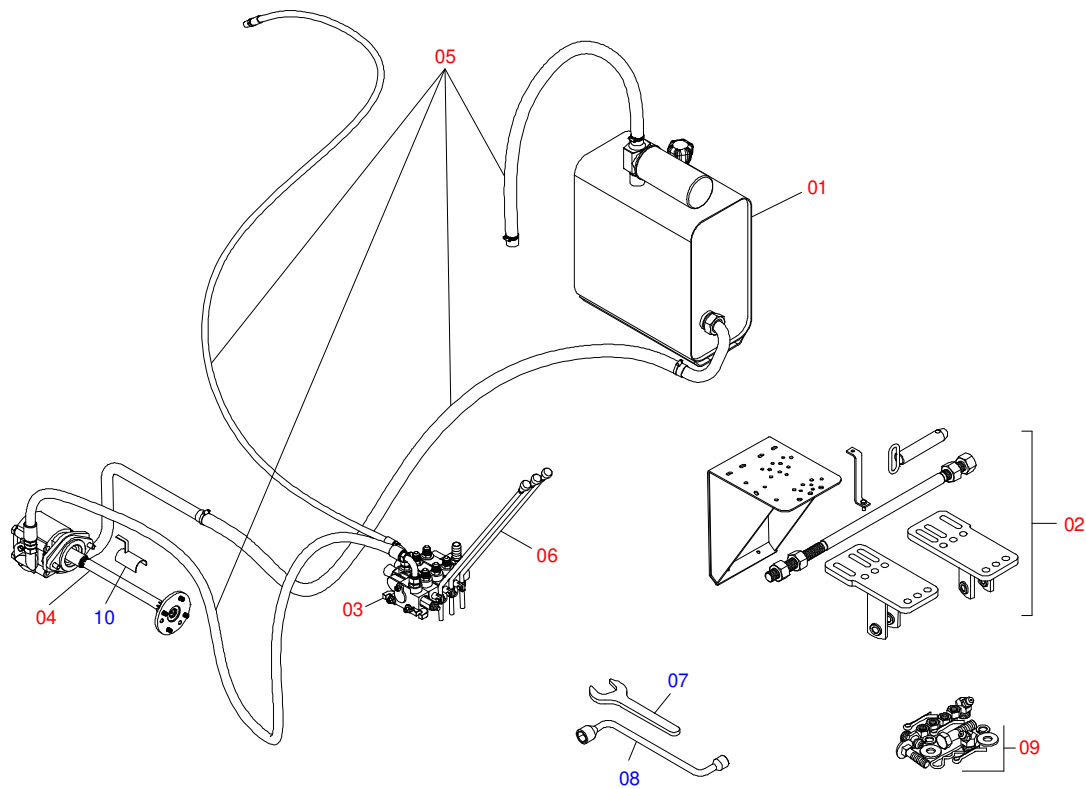
Item	Code	Description	See page	QT
01	0521061520	CLAW MOBILE		02
02	0521061524	PIVOT SHAFT		02
03	0521010579	COUPLING SHAFT		02
04	0521061522	OIL CONDUCTOR		02
05	0503010025	3/8" SPRING WASHER		02
06	0503010237	3/8" X 1" BOLT		02
07	0503010002	1800 GREASE FITTING		02
08	0503010523	1/4" X 2" COTTERPIN		06
09	0531011180	UPPER BODY CLIP		02
10	0511060428	DRAWBOLT		04
11	0503030430	7/16 X 2" PIN LOCK		04
12	0521061521	FIXER CLAW		01
13	0521010784	COUPLING SHAFT		02
14	0503030009	1" CASTLE NUT		02
15	0501011445	FLAT WASHER		04
16	0511058444	HYDRAULIC CYLINDER	13	02
17	0511058883	AGRICULTURAL FORK LOADER - PCA HOSE SET	12	01



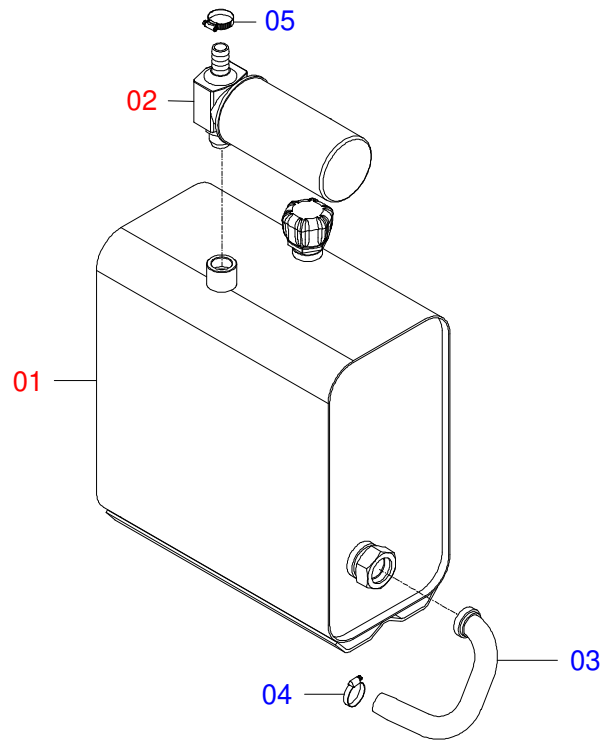
Item	Code	Description	See page	QT
01	0501080362	3/8" X 177" TC-TM HOSE		02
02	0501080652	3/8" X 78" TC-TM HOSE ASSY		02
03	0501080465	3/8 X 400 TR-TC HOSE ASSY		04



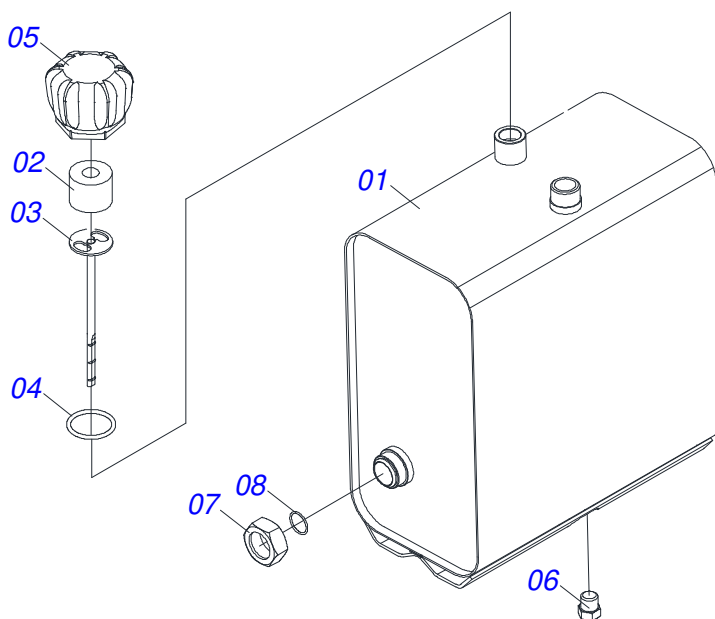
Item	Code	Description	See page	QT
01	0511066155	2.5" X 12.9" CYLINDER CASE		01
02	0521066631	TURNBUCKLE		01
03	0503010002	1800 GREASE FITTING		02
04	0503030385	CYLINDER PLUG N-002		02
05	0502012837	PISTON		01
06	0503018005	RING		01
07	0503011109	2-119 N 3006-9B O'RING		01
08	0503010163	D-1500 SCRAPER RING		01
09	0502010471	MOBILE COVER		01
10	0581010668	RING SUPPORT		01
11	0503018004	RING		01
12	0503018003	GASKET		01
13	0503018163	BACK-UP RING		02
14	0503018162	O'RING		02



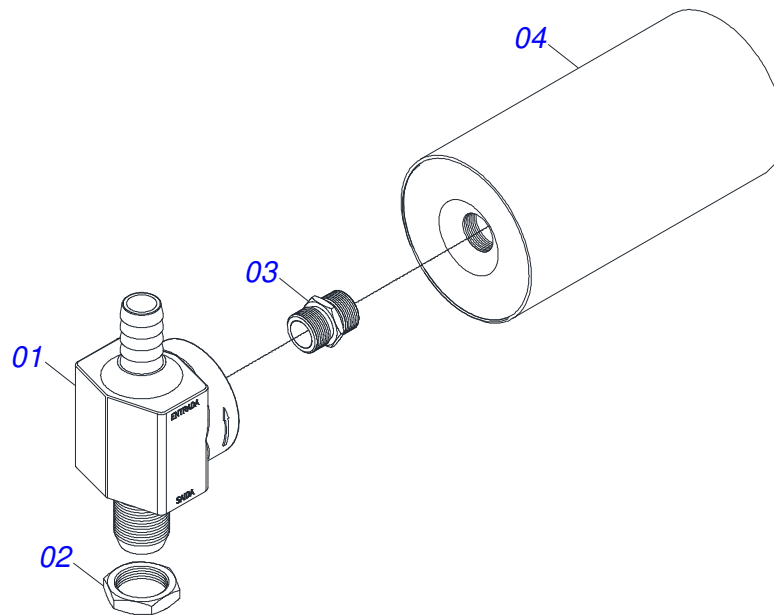
Item	Code	Description	See page	QT
01	0909094311	OIL RESERVOIR AND COMPONENTS	15	01
02	0909094278	FRAME AND COMPONENTS	18	01
03	0909094242	TRIPLICE COMMAND SET 1/2	20	01
04	0909094277	PUMP AND COMPLEMENTS - PCA MF 283-4TC	23	01
05	0511058982	HOSE SET - PCA MF 275A290-4 TC AD SHT CT GCA	25	01
06	0511044482	CONTROL VALVE (P/COM 1/2 JD 6415)	22	03
07	0511010153	2-5/16" FIXED WRENCH		01
08	0501068213	5/8" WRENCH DOUBLE		01
09	0501036408			01
10	0511064563	HOSE PROTECTION		01



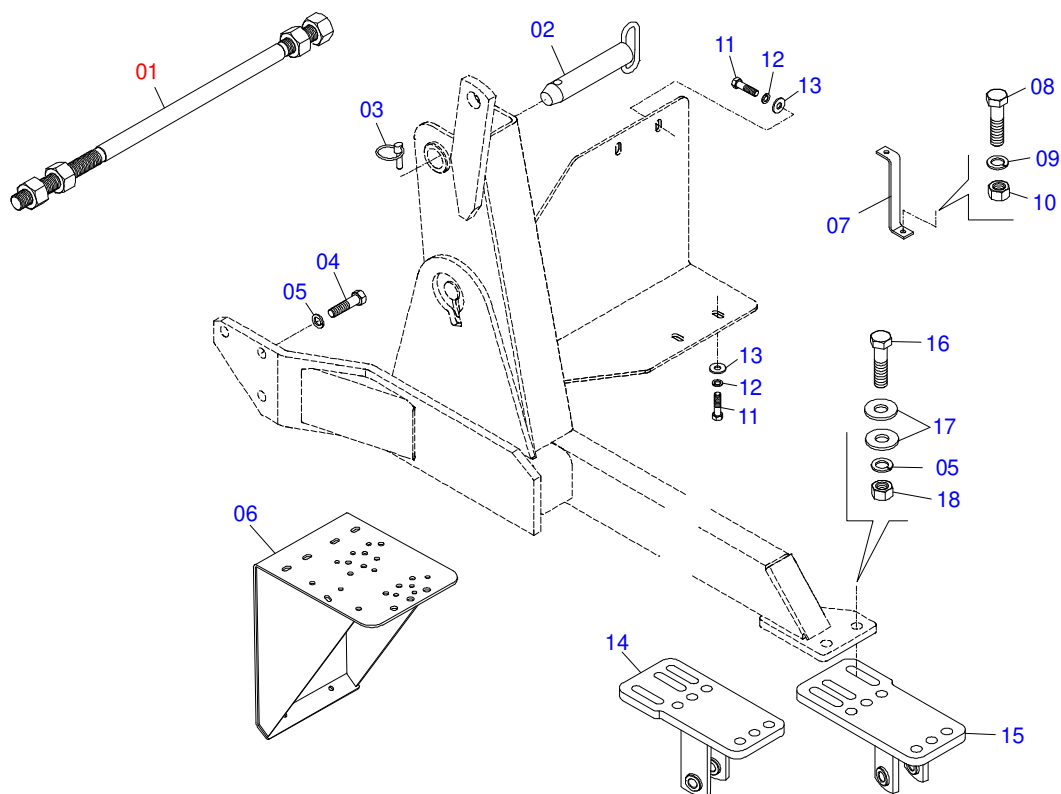
Item	Code	Description	See page	QT
01	0501047807	OIL RESERVOIR ASSY	16	01
02	0501041108	RETURNING FILTER ASSY	17	01
03	0501063383	TANK OUTER TUBE		01
04	0503010243	CLAMP		01
05	0503010184	CLAMP		01



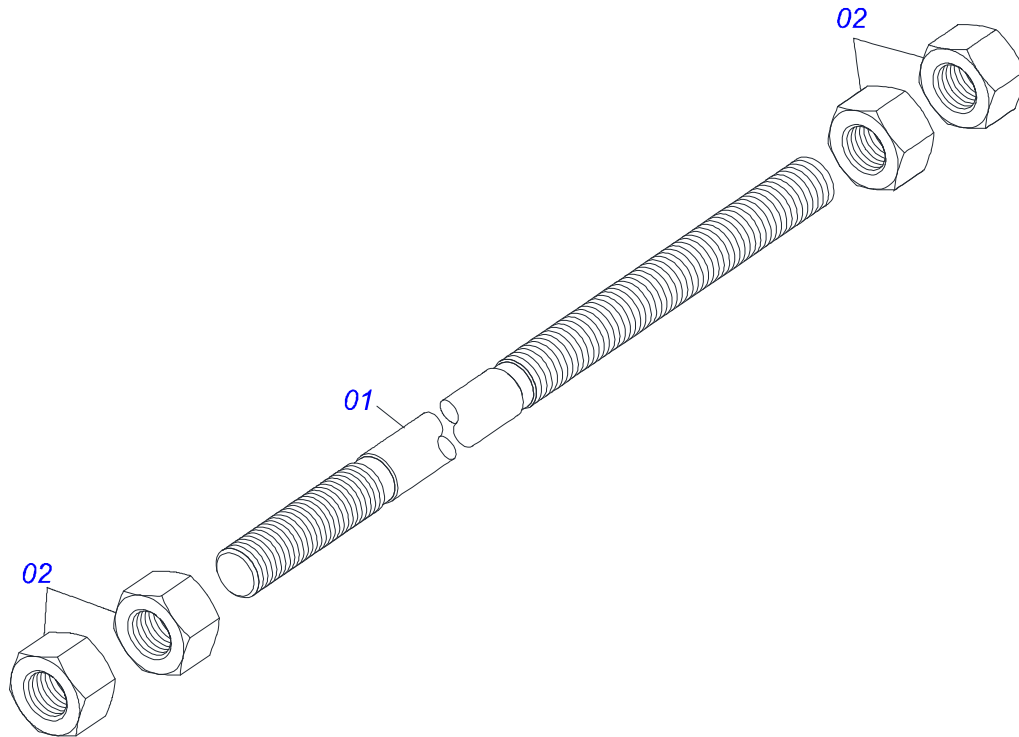
Item	Code	Description	See page	QT
01	0501068880	OIL RESERVOIR		01
02	0503030044	FILTERING ELEMENT		01
03	0501060975	OIL GAGE		01
04	0503010185	2-221 N 3006-9B O'RING		01
05	0502020472	FRONTAL COVER		01
06	0503031604	1/2" BSP PLUG		01
07	0501016309	2" 1X 2.5/16" NUT		01
08	0503010046	2-216 N 3006-9B O'RING		01



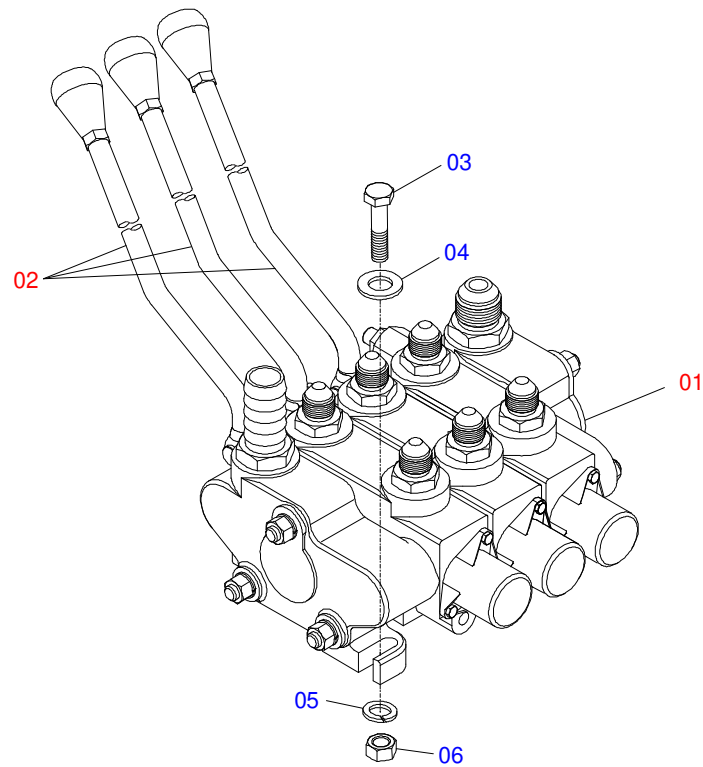
Item	Code	Description	See page	QT
01	0502050002	RETURNING FILTER HEAD		01
02	0501010594	1" NUT		01
03	0501010595	1" NF NIPPLE FITTING		01
04	0503010183	RETURNING FILTER		01



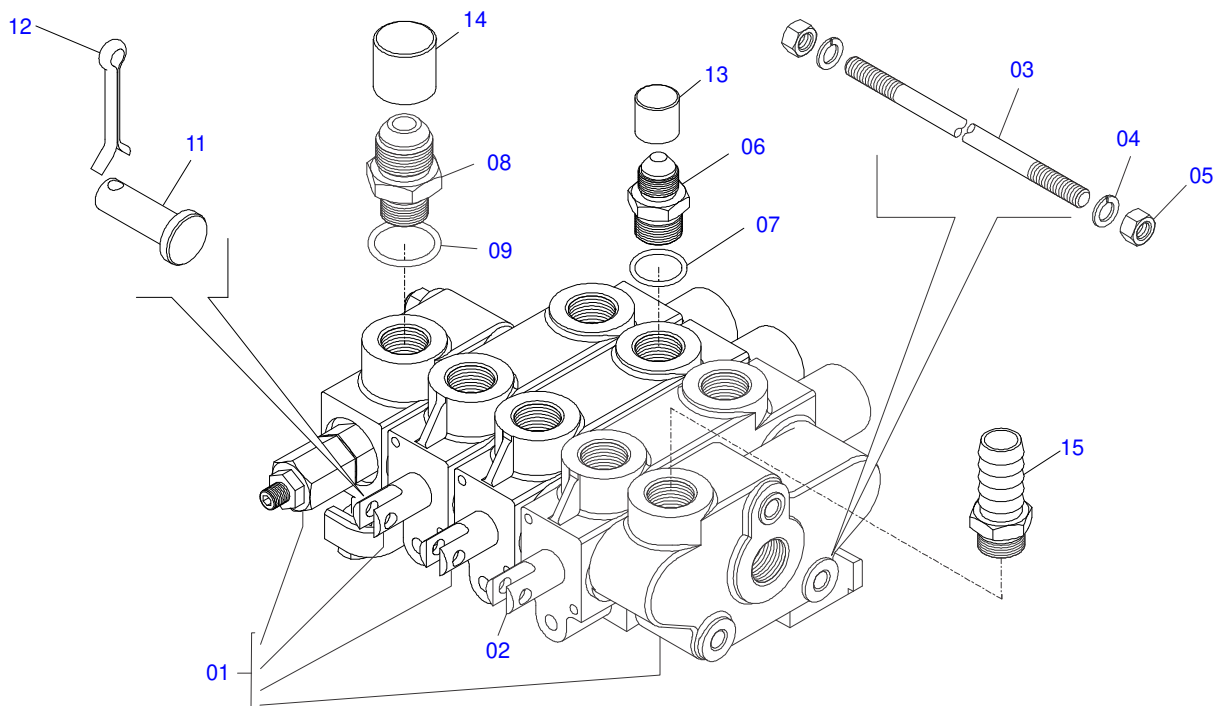
Item	Code	Description	See page	QT
01	0501042819	1.1/4"NC X 33.46" ROD ASSY	19	01
02	0511064616	1.5" X 6.9" COUPLING SHAFT		02
03	0503030430	7/16 X 2" PIN LOCK		02
04	0501010098	3/4" UNC BOLT		06
05	0503010023	3/4" SPRING WASHER		10
06	0511069051	COMMAND SUPPORT - PCA MF 299-4 ADV		01
07	0551016975	HEADLIGHT SUPPORT - MF 299-4 ADV		02
08	0503010237	3/8" X 1" BOLT		02
09	0503010025	3/8" SPRING WASHER		02
10	0503010026	3/8" NUT		02
11	0501010161	1/2" X 1.1/4" BOLT		04
12	0503010019	1/2" SPRING WASHER		04
13	0511017302	FLAT WASHER		04
14	0511069462	LEFT FRAME MOUNTING BRACKET		01
15	0511069461	RIGHT FRAME BRACKET - MF 283-4		01
16	0501010500	3/4"X3"BOLT		04
17	0501010322	FLAT WASHER		08
18	0503010014	3/4" NUT		04



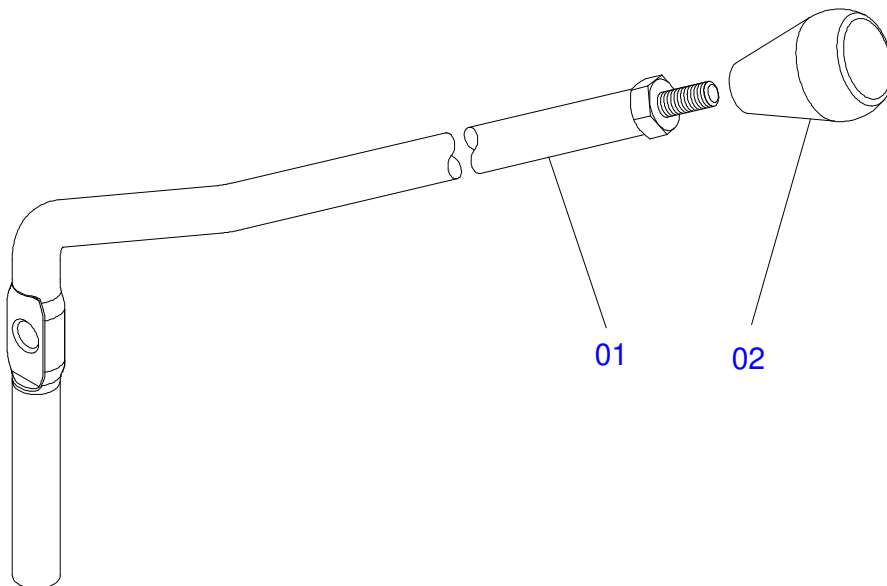
Item	Code	Description	See page	QT
01	0501018845	1.1/4" X 33.46" ROD		01
02	0501010087	1.1/4" NUT		04



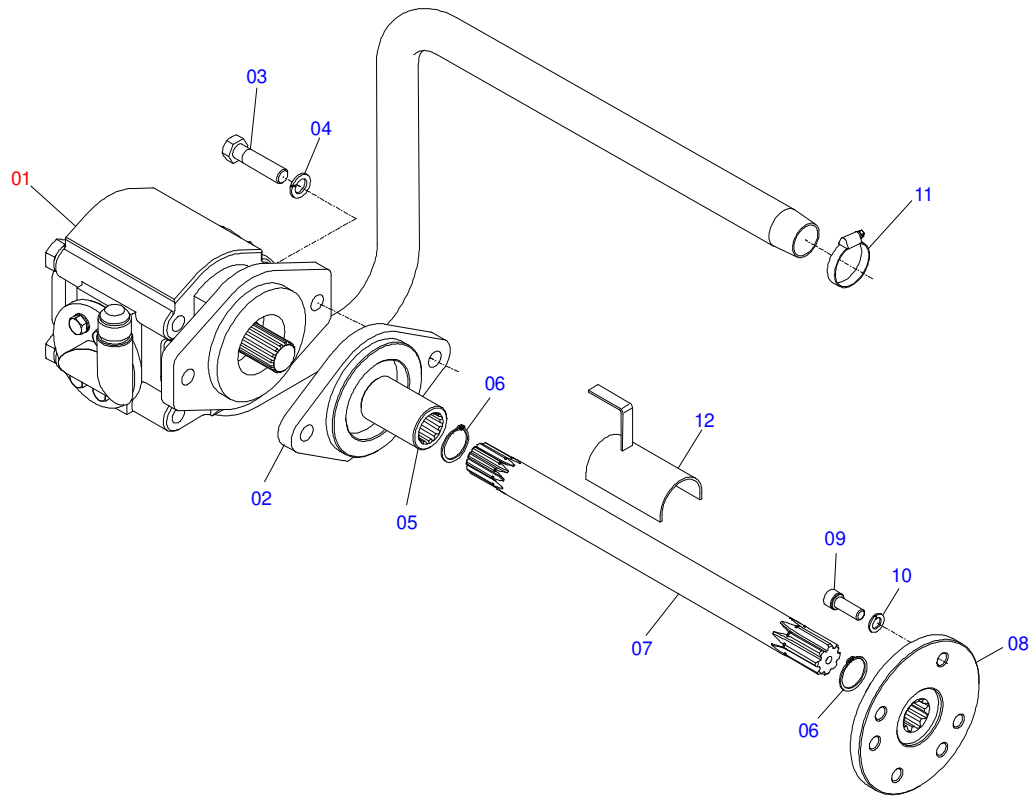
Item	Code	Description	See page	QT
01	0501048918	1/2 FULL TRIPLE COMMAND - HIDROV/DANFOSS	21	01
02	0511044482	CONTROL VALVE (P/COM 1/2 JD 6415)	22	03
03	0501010080	3/8" BOLT		03
04	0501010984	FLAT WASHER		03
05	0503010025	3/8" SPRING WASHER		03
06	0503010026	3/8" NUT		03



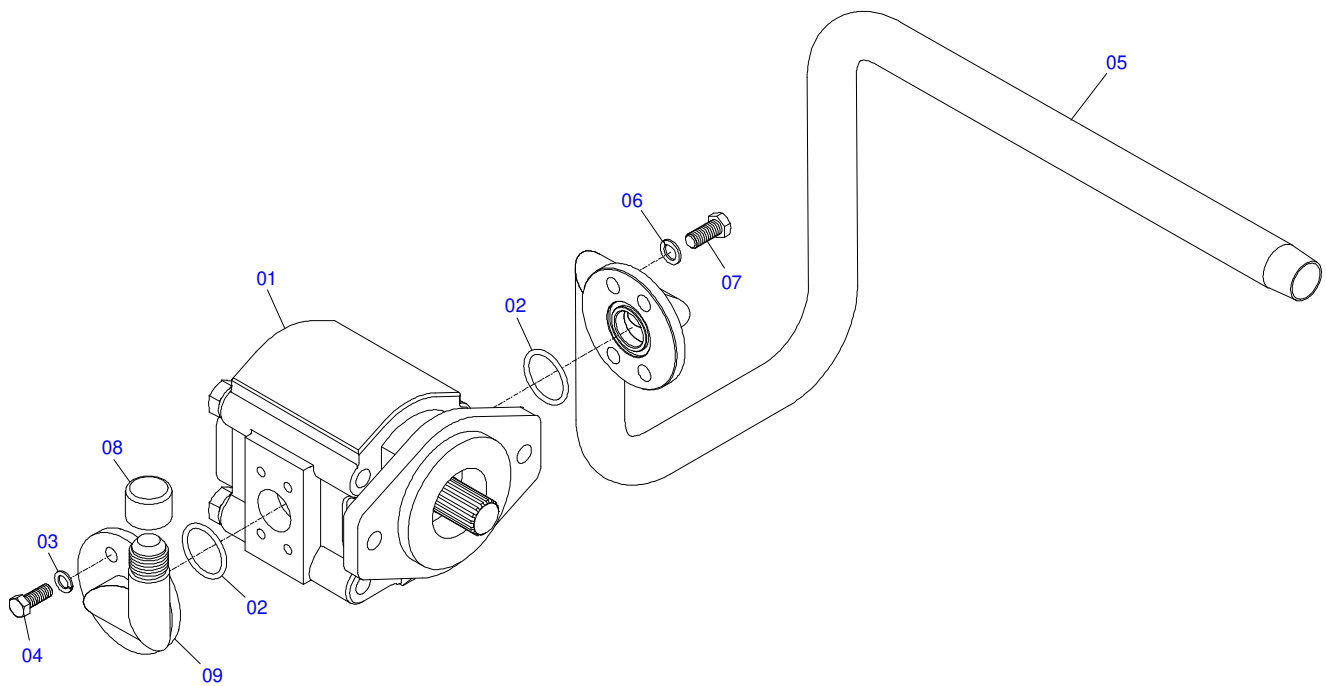
Item	Code	Description	See page	QT
01	0503060016	1/2"DOUBLE COMMAND		01
02	0503010465	BODY CENTRAL 1/2"		01
03	0501016988	3/8" X 3/8" X 10.6" STUD		03
04	0503011443	3/8" SPRING WASHER		06
05	0503010026	3/8" NUT		06
06	0501010590	NIPPLE		06
07	0503010045	O'RING		06
08	0501010589	R. 1.1/16UN SEXT 1.1/4 X 52 NIPPLE		01
09	0503011109	2-119 N 3006-9B O'RING		01
10	0503011109	2-119 N 3006-9B O'RING		01
11	0521010533	0.3" X 1" COUPLING SHAFT		03
12	0503010140	1/8" X 3/4" COTTERPIN		03
13	0503030387	PLUG		06
14	0503030388	PLUG N-005		01
15	0501010591	HOSE NIPPLE		01



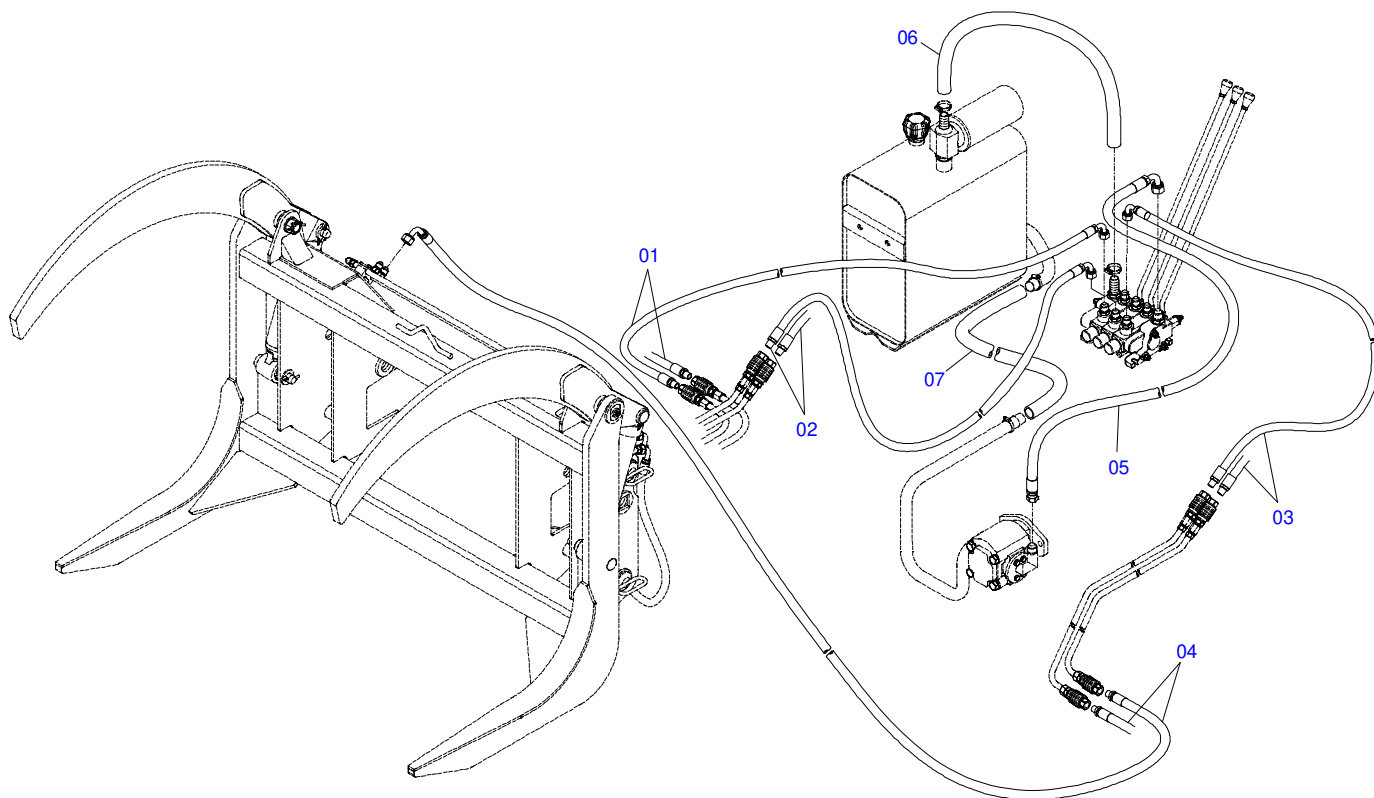
Item	Code	Description	See page	QT
01	0511067217	COMMAND LEVER - JD 6415-4		01
02	0503030878	LEVER CRANK		01



Item	Code	Description	See page	QT
01	0501052129	PUMP WITH TUBE	24	01
02	0521012242	SUPPORT ADAPTER		01
03	0503010740	BOLT 1/2 UNC X 2 CS G.5 ZN		02
04	0503010019	1/2" SPRING WASHER		02
05	0503030838	1-1/8" X 2.4" SLEEVE		01
06	0503010174	501028 CLAMPING RING (FOR AXLE)		01
07	0511069465	398 X 1.1/8 SPINDLE 1.1/8-30G STRIATED		01
08	0503050003	COUPLING FLANGE		01
09	0503010134	3/8" X 1" BOLT		04
10	0503010025	3/8" SPRING WASHER		04
11	0503010243	CLAMP		01
12	0511064563	HOSE PROTECTION		01



Item	Code	Description	See page	QT
01	0503061770	PUMP WITH TUBE		01
02	0503010173	2-220 N 3006-9B O'RING		02
03	0503010025	3/8" SPRING WASHER		04
04	0503011087	3/8" X 1" BOLT		04
05	0501069536	PUMP SUCTION TUBE		01
06	0503010180	7/16" SPRING WASHER		04
07	0503010355	7/16" X 1" BOLT		02
08	0503030388	PLUG N-005		01
09	0501069661	PUMP PRESSURE TUBE		01



Item	Code	Description	See page	QT
01	0501080376	1/2 X 1300 HOSE TC-TM		02
02	0501080796	1/2" X 1400 TC-TM HOSE		02
03	0501080142	1/2 X 2900 TC-TM HOSE		02
04	0501080473	3/8" X 120" TC-TM HOSE		02
05	0501081338	3/4 X 2850 TR-TC HOSE		01
06	0501010610	1 X 800 AB-AB HOSE		01
07	0551012897	1.1/4 X 1500 AB-AB HOSE		01



MARCHESAN

Technical Publications | Elaboration and Revision

JOÃO VIRGINIO ROCHA

www.marchesan.com.br

