

**DOUBLE OFFSET DISK HARROW**

**GH 1000T - 20/24/28D**

**Code:** 0501092227

**Series:** S-0693

**Revision:** 00

**Date Revision:** JUNHO/2018

# PARTS CATALOGUE



**MARCHESAN**



# PRODUCTS

Code	Description
0102190166	GH 1000T 20 X 20 X 3,50 CM MT S-693
0102190163	GH 1000T 20 X 20 X 3,50 MA MT S-693
0102190167	GH 1000T 24 X 20 X 3,50 CM MT S-693
0102190164	GH 1000T 24 X 20 X 3,50 MA MT S-693
0102190168	GH 1000T 28 X 20 X 3,50 CM MT S-693
0102190165	GH 1000T 28 X 20 X 3,50 MA MT S-693

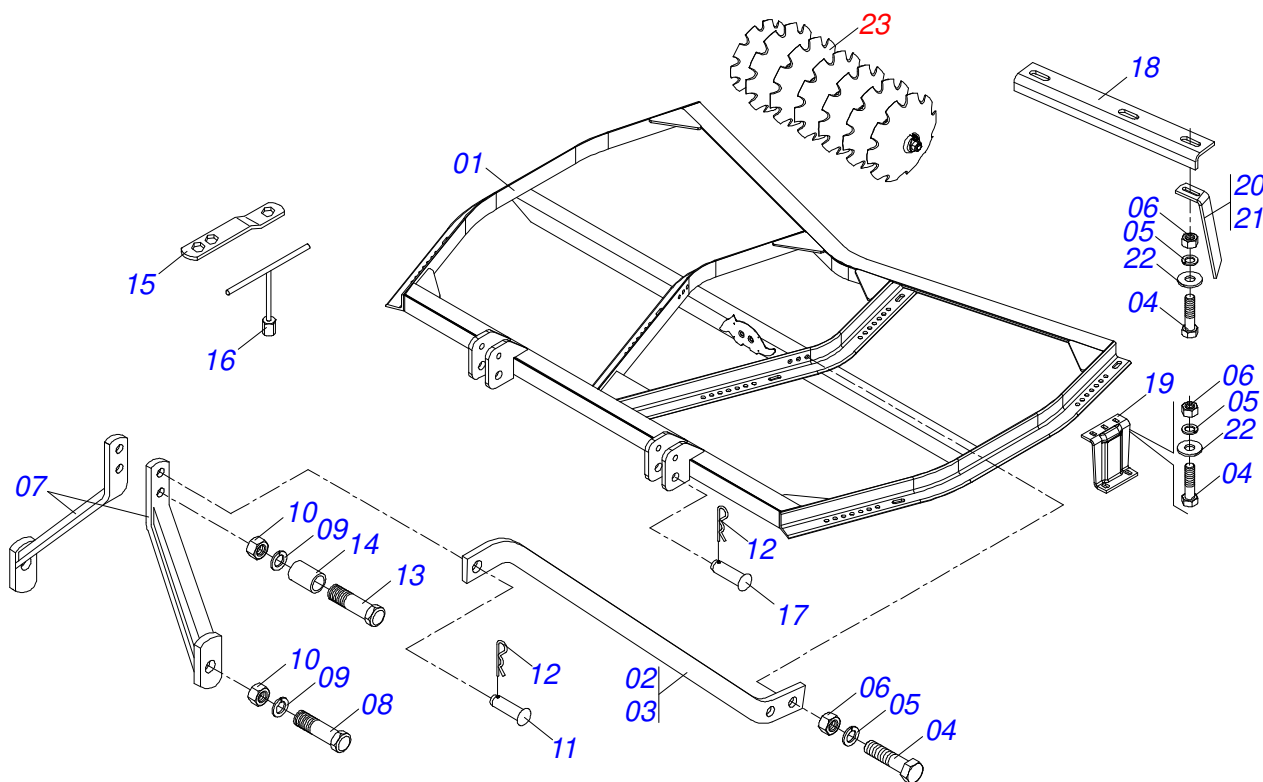
## ATTENTION: IMPORTANT

Marchesan S.A. reserves the right to improve and/or modify the technical features of its products, without obligation to do the same with those products already sold and without prior knowledge of the dealer or the consumer. The photos are only illustrative.

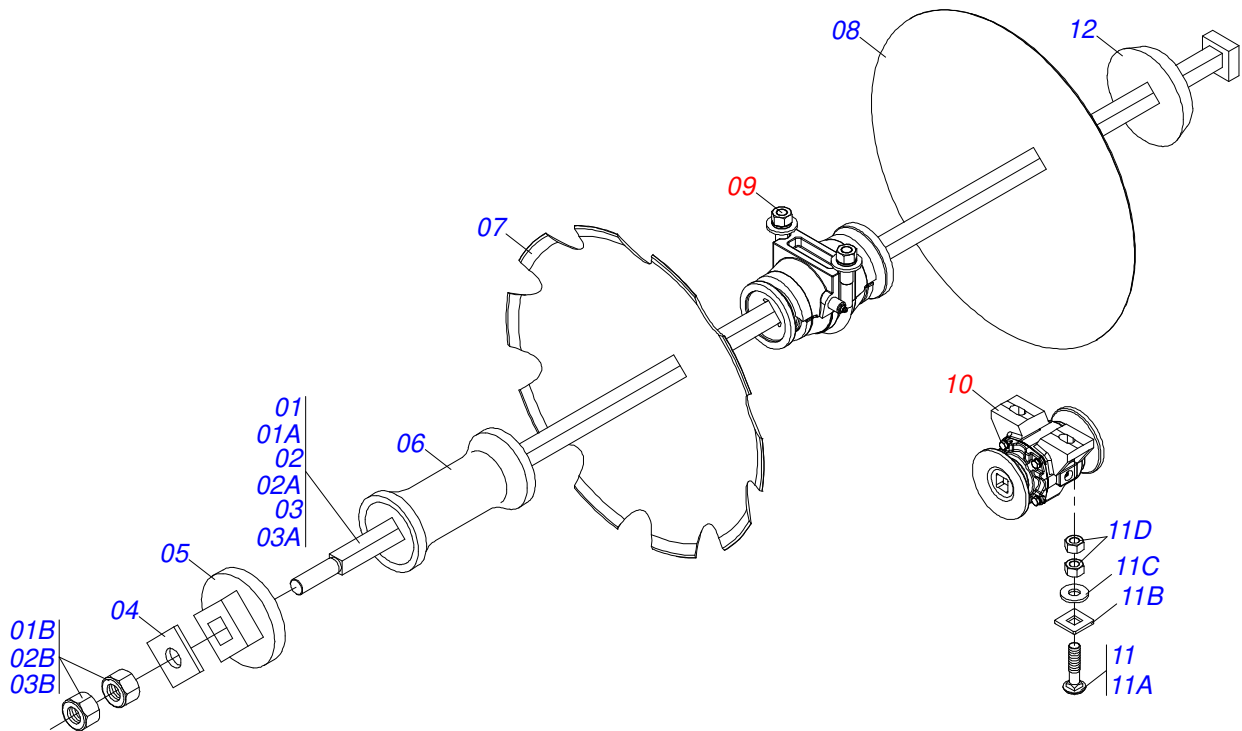


# INDEX

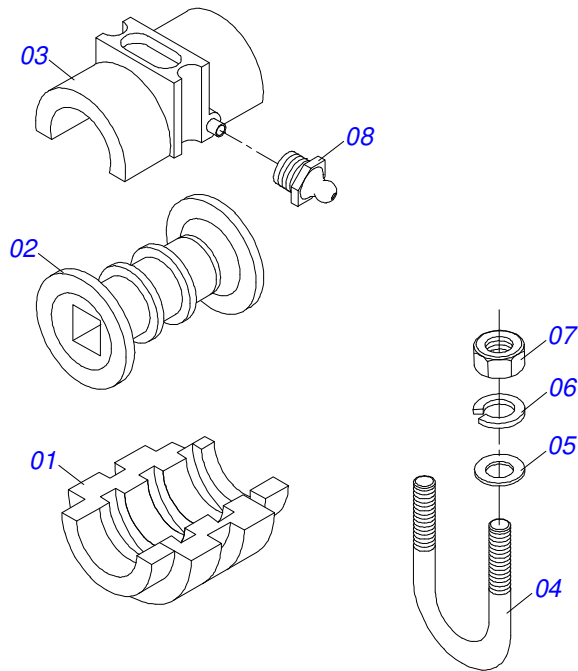
0909094188	FRAME ASSY	.....	1
0909094187	GANG DISC	.....	2
0501040132	FRICION BEARING ASSY	.....	3
0501046912	CM GX 7" Q 1 PR BEARING	.....	4



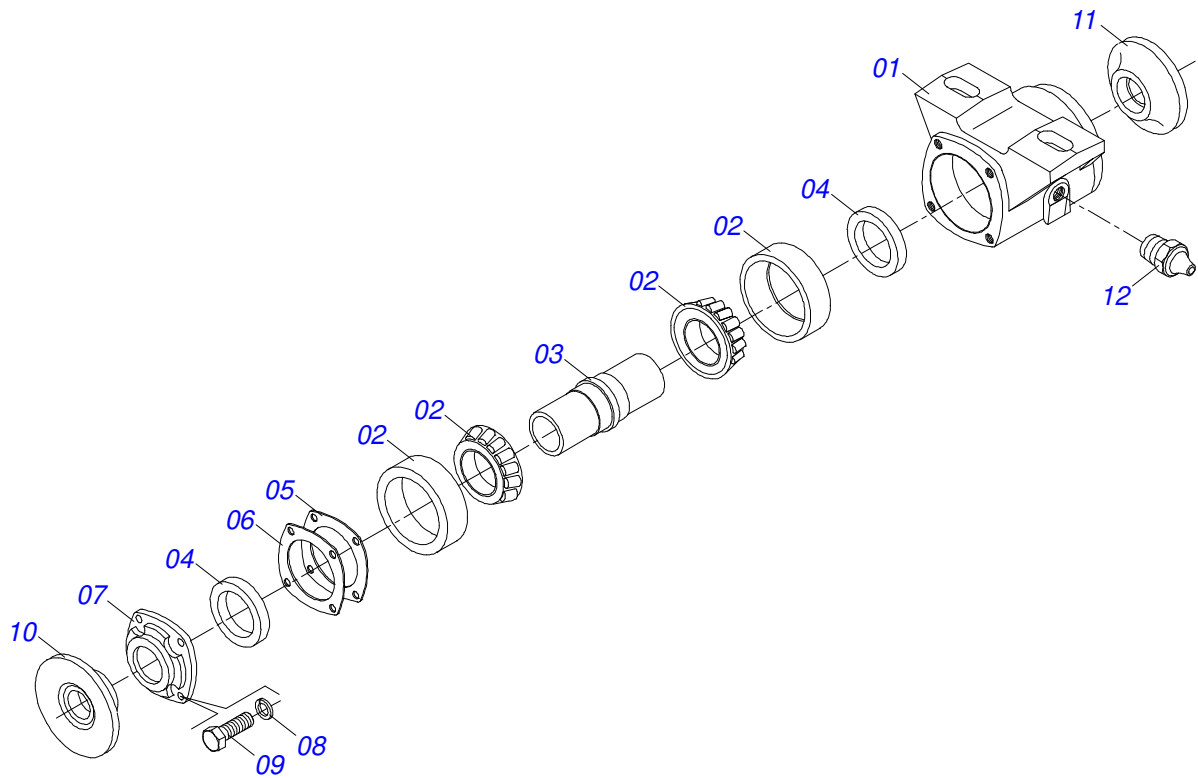
Item	Code	Description	See page	20	24	28
01	0501066431	FRAME		01	00	00
01.	0501066432	FRAME		00	01	00
01..	0501066433	FRAME		00	00	01
02	0501010404	FRENCH RIGHT HAND		01	01	00
02.	0501010406	FRENCH RIGHT HAND		00	00	01
03	0501010407	FRENCH LEFT HAND		01	01	00
03.	0501010409	FRENCH LEFT HAND		00	00	01
04	0503011082	C1/2" X 1.3/4" SCREW		04	04	04
05	0503010019	1/2" SPRING WASHER		44	48	52
06	0503010060	1/2" NUT		44	48	52
07	0501066378	SEMI HEADER		02	02	02
08	0501018059	3/4" X 2-1/4" BOLT		02	02	02
09	0503010023	3/4" SPRING WASHER		03	03	03
10	0503010014	3/4" NUT		03	03	03
11	0521010578	COUPLING SHAFT		01	01	01
12	0503031035	HITCH PIN CLIP		03	03	03
13	0503011198	C3/4" X 6" SCREW		01	01	01
14	0521010490	SLEEVE SPACER		01	01	01
15	0501010095	5/8" X 3/4" X 1" UNIVERSAL WRENCH		01	01	01
16	0501062925	9/16" WRENCH T		01	01	01
17	0521010595	1.1" X 4.3" COUPLING SHAFT		02	02	02
18	0511012000	27.2" BAR OF THE FIX OF THE SCRAPER		04	04	04
18.	0511012001	35" BAR OF THE FIX OF THE SCRAPER		04	04	04
18..	0511012002	42.7" BAR OF THE FIX OF THE SCRAPER		04	04	04
19	0501010451	BRACKET		08	08	08
20	0511014512	FRONT SCRAPER GH		04	06	08
21	0511014511	REAR SCRAPER		04	06	08
22	0511017302	FLAT WASHER		52	64	60
23	0909094187	GANG DISC	2	01	01	01



Item	Code	Description	See page	20	24	28
01	0501044108	1" X 35.6" SQUARE AXLE WITH NUTS		04	00	00
01A	0511011994	1" X 35.6" SQUARE SHAFT		04	00	00
01B	0501010059	1.5/8 NUT		08	00	00
02	0501044110	1" X 43.3" SQUARE AXLE WITH NUTS		00	04	00
02A	0511011995	1" X 43.3" SQUARE SHAFT		00	04	00
02B	0501010059	1.5/8 NUT		00	08	00
03	0501044114	1" X 51" SQUARE AXLE WITH NUTS		00	00	04
03A	0511011996	1" X 51" SQUARE SHAFT		00	00	04
03B	0501010059	1.5/8 NUT		00	00	08
04	0501010450	NUT LOCK		04	04	04
05	0502010076	INNER AXLE WASHER FQ		04	04	04
06	0502010933	192,5 SPACER		08	12	16
07	0602027230	DR20X3,5 C57AF02FC1.1/16 10RE JUMIL		10	12	14
08	0601027184	DL20X3,5 C57AF02FC1.1/16 9901022 JU		10	12	14
09	0501040132	FRICITION BEARING ASSY	3	08	08	08
10	0501046912	CM GX 7" Q 1 PR BEARING	4	08	08	08
11	0501058802	5/8 UNC X 2.3/4 BOLT ASSY		16	16	16
11A	0503015154	5/8" X 2.3/4" BOLT		16	16	16
11B	0501010947	5/8 NUT LOCK		16	16	16
11C	0501012140	FLAT WASHER		16	16	16
11D	0503010013	5/8" NUT		32	32	32
12	0502010075	EXTERNAL AXLE WASHER		04	04	04



Item	Code	Description	See page	QT
01	0502030006	LOWER COVER HOUSING		01
02	0502030011	REEL		01
03	0502030004	UPPER COVER HOUSING		01
04	0521012326	5/8 UNC X 138 X 117 FASTENER		01
05	0501012140	FLAT WASHER		02
06	0503010027	5/8" SPRING WASHER		02
07	0503010013	5/8" NUT		02
08	0503010002	1800 GREASE FITTING		01



Item	Code	Description	See page	QT
01	0502020313	HOUSING CM		01
02	0503010111	30210 ROLLER BEARING		02
03	0502040381	AXLE		01
04	0503010468	SEAL 01199-GB		02
05	0503030013	4.4" X 3.5" X 0.004" JOINT		02
06	0503030684	4.4" X 3.5" X 0.004" JOINT		01
07	0502020273	HOUSING CAP CM		01
08	0503011443	3/8" SPRING WASHER		04
09	0503011087	3/8" X 1" BOLT		04
10	0502010297	OUTER FLANGE		01
11	0502010298	INNER FLANGE		01
12	0503010002	1800 GREASE FITTING		01







**MARCHESAN**

**Technical Publications | Elaboration and Revision**

ALESSANDRA PATRICIA KAWAHARA CARRILI

[www.marchesan.com.br](http://www.marchesan.com.br)

