

PARTS CATALOG

OFFSET DISK HARROW

GAPCR 7913 - 12/14/16D

Code: 0501092218



Series: S-0707

Rev.: 00

Date Rev.: MAIO/2018

**ORIGINAL PARTS
TATU**



PRODUCTS

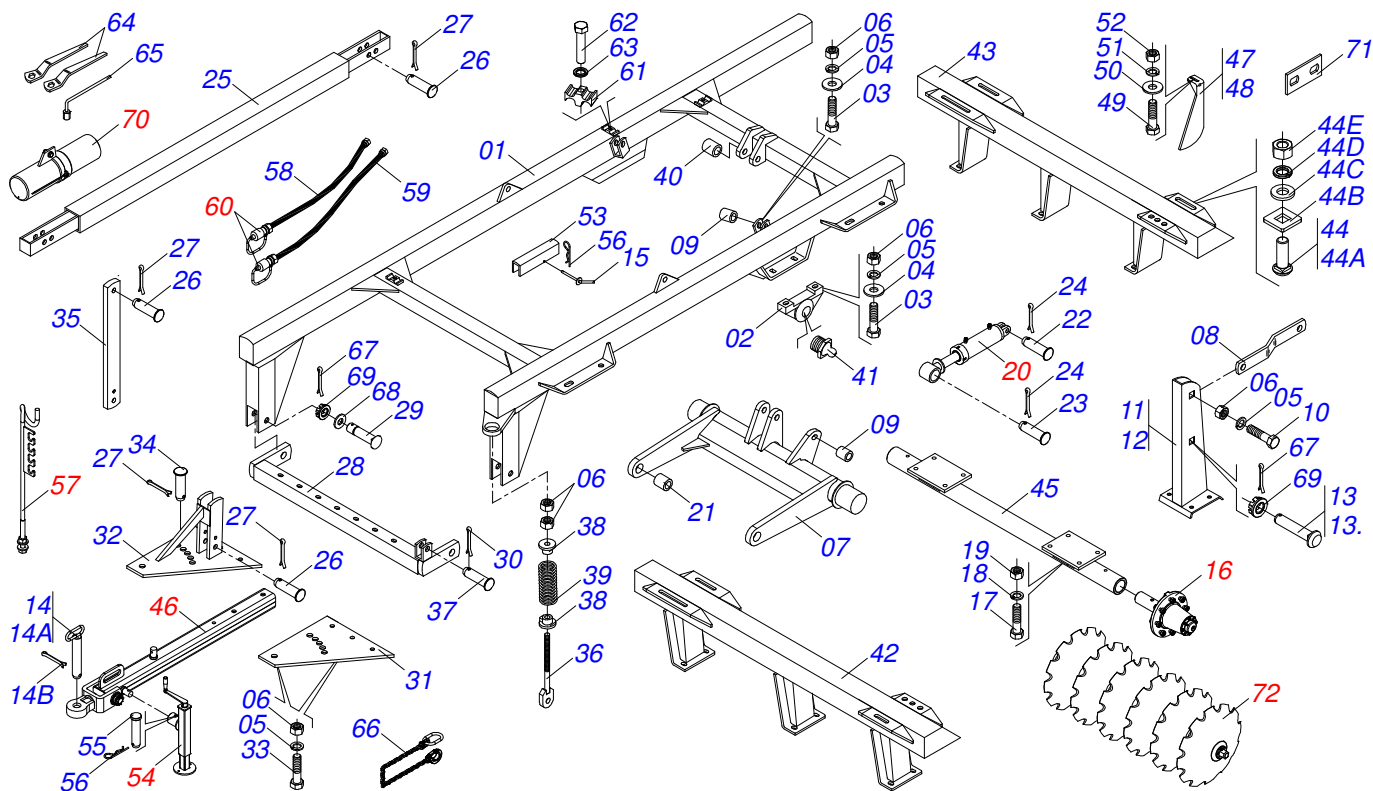
Code	Description
0102060133	GAPCR 7913 12 X 32 X 9,0 DM S/PN
0102060132	GAPCR 7913 14X32X9,0 DM S/PN S-707
0102060134	GAPCR 7913 16X32X9,0 DM S/PN S707

ATTENTION: IMPORTANT

MARCHESAN S/A RESERVES THE RIGHT AT ANY TIME TO MAKE IMPROVEMENTS IN THE DESIGN, MATERIAL OR SPECIFICATIONS OF MACHINERY, EQUIPMENT OR PARTS WITHOUT THEREBY BECOMING LIABLE TO MAKE SIMILAR CHANGES IN MACHINERY, EQUIPMENT OR PARTS PREVIOUSLY SOLD.

INDEX

0909094146	12/14/16D - ASSY FRAME	1
0501051885	CARRYING-WHEELS	2
0501044309	2.0" X 5" X 20" X 10" HYDRAULIC CYLINDER	3
0511046265	BARRA TRACCION COMPLETA	4
0511048088	DRAWBAR JACK	5
0501040257	3/4 X 1200 HOSE HOLDER A	6
0501053834	QUICK CONECTION (MALE) 1/2	7
0521051846	ASSY PORT MANUAL	8
0909094147	12/14/16D - DISC SECTION	9
0501046926	330MM X 2-1/8" RD. OIL BATH BEARING	10

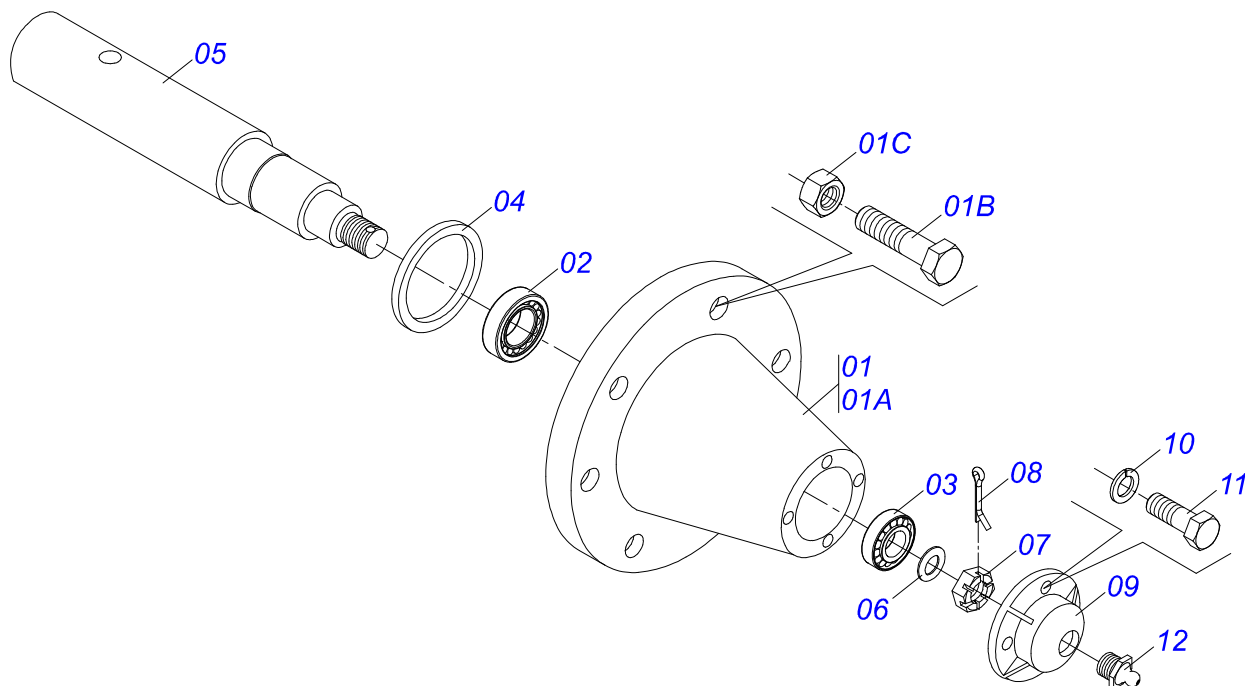


Item	Code	Description	12	14	16
01	0501067011	CENTER FRAME	01	01	01
02	0502010972	ARTICULACION BEARING	02	02	02
03	0503011432	1" X 4" BOLT	04	04	04
04	0501010065	1" SPRING WASHER	04	04	04
05	0503010012	1" SPRING WASHER	20	20	20
06	0501010059	1.5/8 NUT	22	22	22
07	0501068210	CARRYING-WHEELS	01	01	01
08	0501110404	SUPPORT BAR	02	02	02
09	0511019921	1.3" X 0.1" X 1" SLEEVE	05	05	05
10	0503011432	1" X 4" BOLT	04	04	04
11	0501068260	RIGHT SUSPENSION TOWER	01	01	01
12	0501068261	LEFT SUSPENSION TOWER	01	01	01
13	0511018006	1-1/2 X 4.13" U BOLT OF SUSP TOWER	02	02	02
13.	0511017974	1 U BOLT OF THE SUSPENSION TOWER	02	02	02
14	0501048472	1.2" X 7.3" COUPLING SHAFT	01	01	01
14A	0501069080	COUPLING SHAFT	01	01	01
14B	0503010534	3/8 X 2-1/2 COTTERPIN	01	01	01
15	0501068994	0.3" X 3.1" LOCK PIN	01	01	01
16	0501051885	CARRYING-WHEELS	02	02	02
17	0501010098	HEX BOLT 3/4 UNC X 2 C S G.5 ZN	08	08	08
18	0503010023	SPRING WASHER	08	08	08
19	0503010014	3/4" NUT	08	08	08
20	0501044309	2.0" X 5" X 20" X 10" HYDRAULIC CYLINDER	01	01	01
21	0521010465	1.3" X 1.7" X 1.3" SLEEVE	02	02	02
22	0511010174	1.2" X 5.9" COUPLING SHAFT	01	01	01
23	0521010547	1.2" X 6.5" COUPLING SHAFT	01	01	01
24	0503010523	1/4" X 2" COTTERPIN	04	04	04
25	0501066222	STABILIZER BAR	01	01	01
26	0521010575	C0.9" X 3.3" COUPLING SHAFT	03	03	03
27	0503010571	1/4" X 1.1/2 COTTERPIN	04	04	04
28	0501066223	OFFSET BAR	01	01	01
29	0521017538	11-1/2" X 5" COUPLING SHAFT	02	02	02
30	0503010534	3/8 X 2-1/2 COTTERPIN	02	02	02

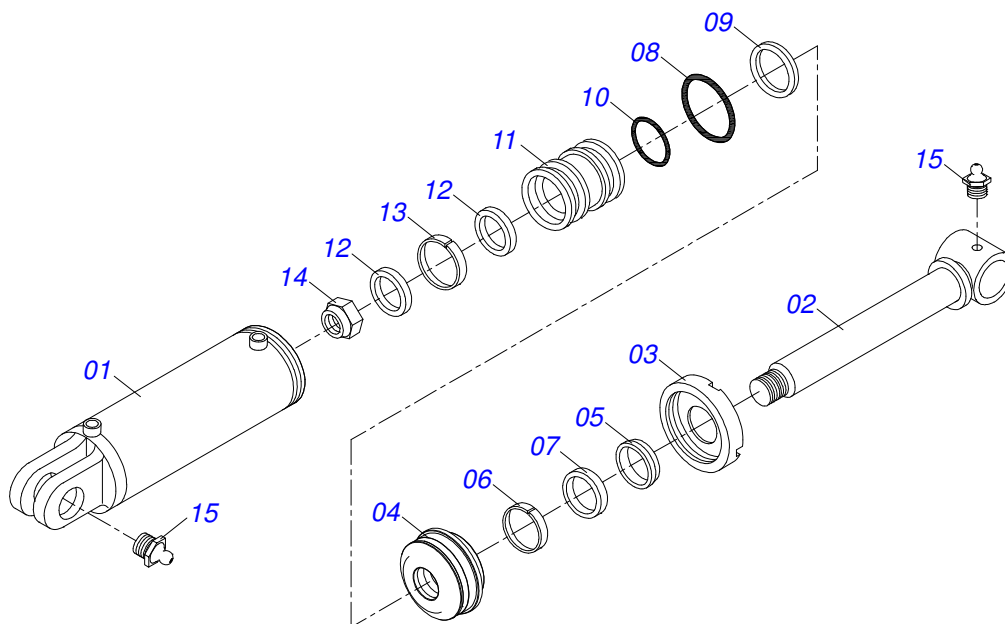


Item	Code	Description	12	14	16
31	0511013000	UPPER /LOWER PLATE	01	01	01
32	0501066235	UPPER PLATE WITH SUPPORT	01	01	01
33	0501010334	1" X 7" BOLT	04	04	04
34	0521010584	C0.9" X 5.7" COUPLING SHAFT	01	01	01
35	0511012972	TSTABILIZER BAR TOWER	01	01	01
36	0501066240	SPRING ROD	01	01	01
37	0521010592	1.1" X 3.1" COUPLING SHAFT	01	01	01
38	0502020392	SPRING SUPPORT	02	02	02
39	0503030441	12.7" X 5.7" X 0.5"SPRING	01	01	01
40	0511019920	LUVA 32,7 X 38,8 X 25,40	04	04	04
41	0503010002	1800 GREASE FITTING	03	03	03
42	0501060476	79.7" FRONT FRAME	01	00	00
42.	0501060477	93.11" FRONT FRAME	00	01	00
42..	0501060487	106.5" FRONT FRAME	00	00	01
43	0501060479	80" REAR FRAME	01	00	00
43.	0501060480	93" REAR FRAME	00	01	00
43..	0501060491	106" REAR FRAME	00	00	01
44	0501040877	C1" X 3-1/4" ASSY BOLT	08	08	08
44A	0501010171	PARAFUSO 1 UNC X 3.1/2 C S G.5	08	08	08
44B	0502012861	1" SQUARE WASHER	08	08	08
44C	0501010065	1" SPRING WASHER	08	08	08
44D	0503010012	1" SPRING WASHER	08	08	08
44E	0501010059	1.5/8 NUT	08	08	08
45	0511069068	FIXING SYSTEM	01	01	01
46	0511046265	BARRA TRACCION COMPLETA	01	01	01
47	0501060423	FRONT SCRAPER	06	07	08
48	0501060424	REAR SCRAPER	06	07	08
49	0503010233	5/8" X 2-1/2" BOLT	24	28	32
50	0501012140	FLAT WASHER	24	28	32
51	0503010027	SPRING WASHER	24	28	32
52	0503010013	5/8" NUT	24	28	32
53	0501066386	TRANSPORT LOCK 9.54"	01	01	01
54	0511048088	DRAWBAR JACK	01	01	01
55	0521010549	COUPLING SHAFT	01	01	01
56	0503030168	HAIR PIN	02	02	02
57	0501040257	3/4 X 1200 HOSE HOLDER A	01	01	01
58	0501080476	3/8" X 26" TC-TM HOSE ASSY	01	01	01
59	0501080477	3/8" X 275" TC-TM HOSE ASSY	01	01	01
60	0501053834	QUICK CONECTION (MALE) 1/2	02	02	02
61	0502012702	BODY SUPPORT CLAMP	03	03	03
62	0503012555	7/16" X 2" BOLT	03	03	03
63	0503010180	7/16" SPRING WASHER	03	03	03
64	0501061044	2-1/8" AND 2-1/2" CABLE FLAT WRENCH	02	02	02
65	0501061045	1" WRENCH CYLINDRICAL	01	01	01
66	0503013150	1300 X 3/8 CHAIN	01	01	01
67	0503010010	1/4" X 2.1/2" COTTERPIN	02	02	02
68	0511019880	FLAT WASHER	02	02	02
69	0501011301	1.1/2 UNC 6FPP 2.5/16 NUT	02	02	02
70	0521051846	ASSY PORT MANUAL	01	01	01
71	0501010299	SCRAPER LOCK	12	14	16
72	0909094147	12/14/16D - DISC SECTION	01	01	01

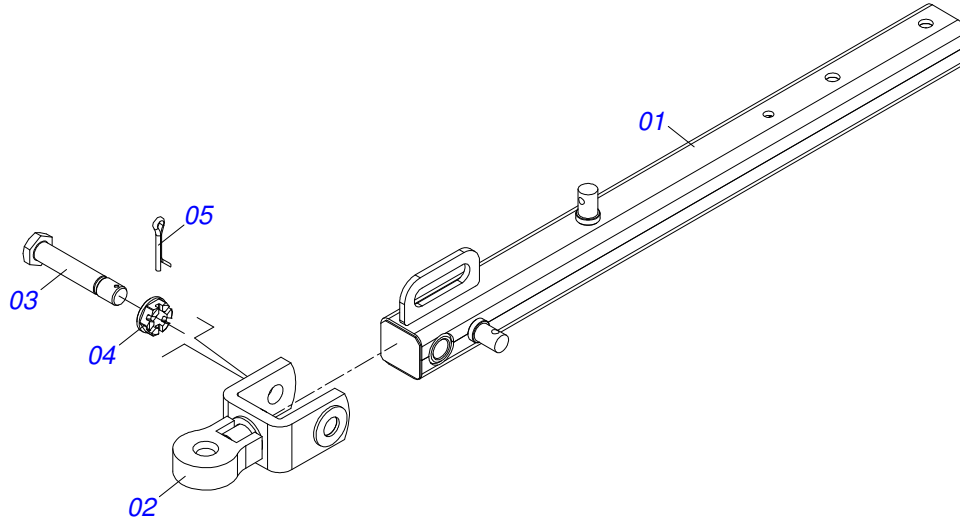
CARRYING-WHEELS



Item	Code	Description	QT
01	0501110738	CARRYING WHEEL HUB	01
01A	0502012260	CAIXA RODADO TRANSPORTE GCRO 2240	01
01B	0501010186	PARAFUSO ROD 5/8UNF X 2.1/8CR	08
01C	0503010064	5/8 UNF CONIC NUT	08
02	0503011156	ROLAMENTO 2780/2720 IMP	01
03	0503010008	ROLAMENTO 3780/37203	01
04	0503013314	RETENTOR 5166-GB 63,5 X 110 X 13 ARCA	01
05	0511012494	SPINDLE	01
06	0511012492	ARRUELA LISA 28 X 46 X 6,30	01
07	0503030009	1" CASTLE NUT	01
08	0503010018	5/32 X 1-1/2 COTTERPIN	01
09	0502020591	PROTECCION COVER	01
10	0503011444	SPRING WASHER	04
11	0503010358	5/16" X 5/8" BOLT	04
12	0503010002	1800 GREASE FITTING	01

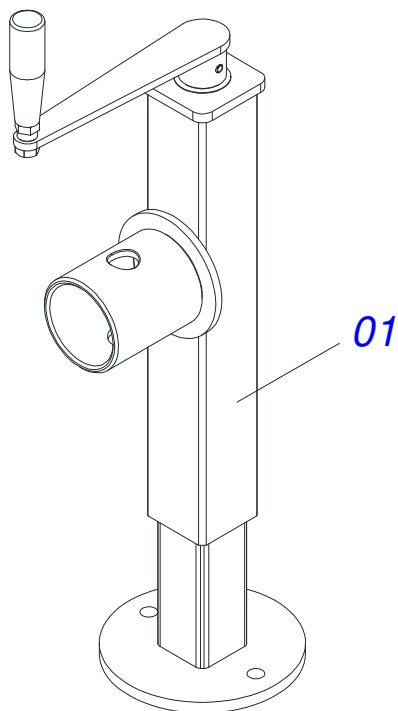


Item	Code	Description	QT
01	0501069075	BODY 127 X 424	01
02	0501068963	HYDRAULIC CYLINDER TURNBUCKLE	01
03	0502010382	5" HEAD	01
04	0502012227	50,80 X 127 RING SUPPORT	01
05	0503010039	D-2000 SCRAPER RING	01
06	0503010952	W2-2250-500 PK RING G.E	01
07	0503010991	PACKING 1870-2000-375-B	01
08	0503010351	2-425 N 3006-9B O'RING	01
09	0503011062	8-425 BACK-UP RING	01
10	0503010345	2-218 N 3006-9B O'RING	01
11	0502010963	2.0" X 5.0" PISTON	01
12	0503010552	PACKING 3750-4250-625-B	02
13	0503010974	W2-5000-500 PK RING G.E	01
14	0503010817	1-1/4" SELF-ADJUSTING NUT	01
15	0503010002	1800 GREASE FITTING	02
16	0501031961	HYDRAULIC CYLINDER REPAIR KIT	01

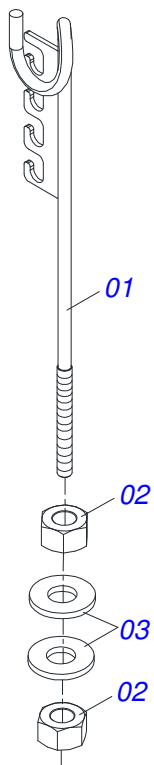


Item	Code	Description	QT
01	0511069081	BAR TRACCION	01
02	0501062869	TRACTOR HITCH	01
03	0501017291	1-1/2" X 8.1" BOLT	01
04	0501011301	1.1/2 UNC 6FPP 2.5/16 NUT	01
05	0503010010	1/4" X 2.1/2" COTTERPIN	01

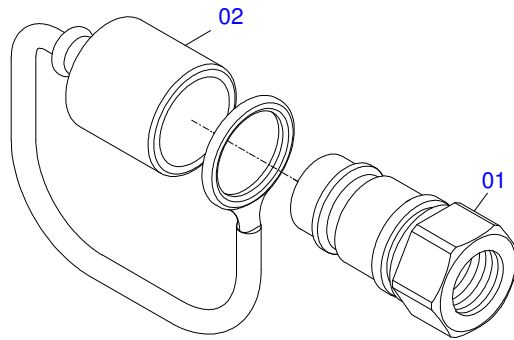
DRAWBAR JACK



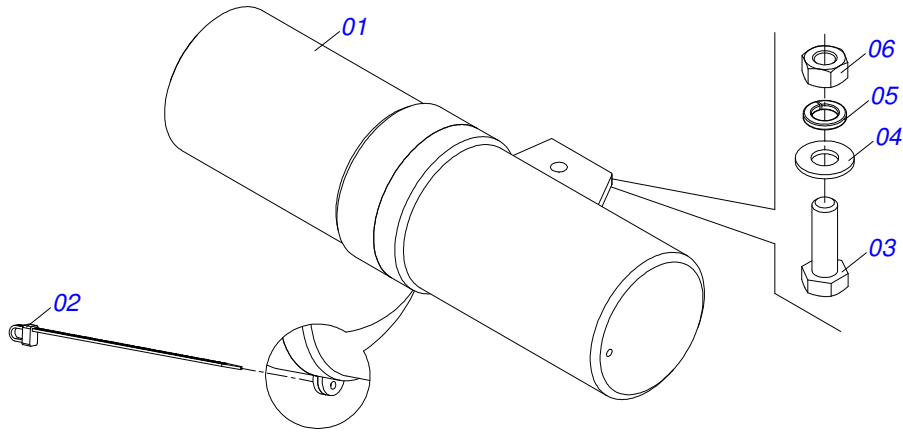
Item	Code	Description	QT
01	0503062227	DRAWBAR JACK	01



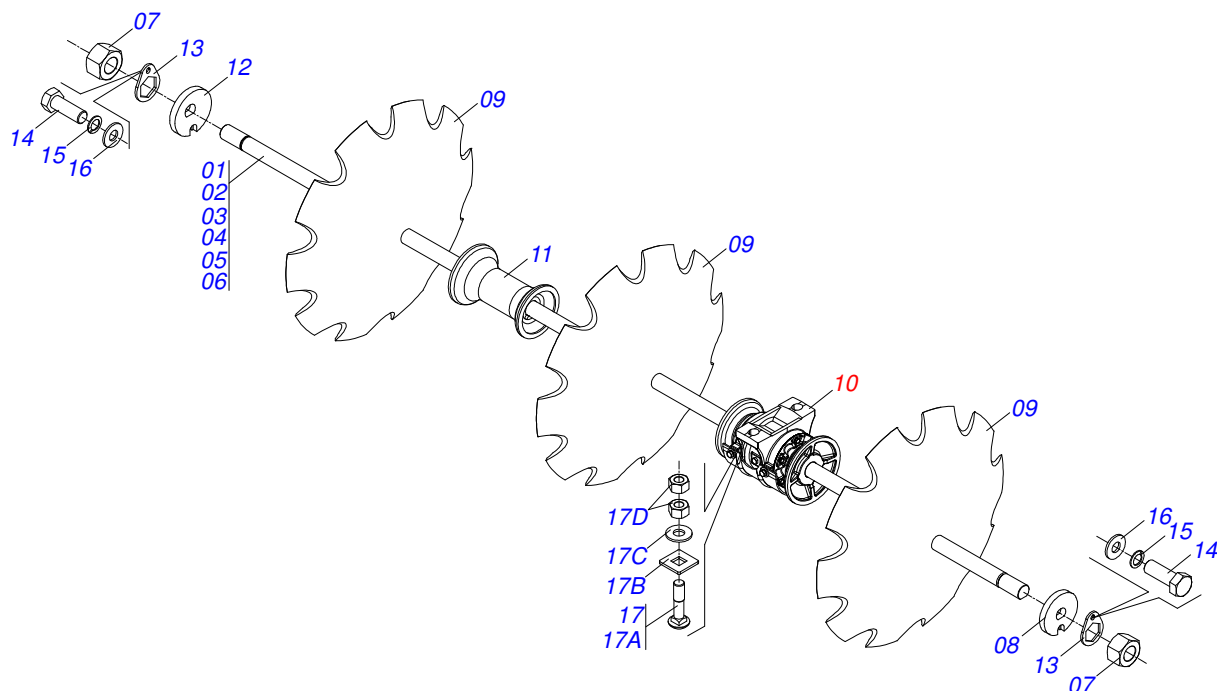
Item	Code	Description	QT
01	0511067334	HOSE SOPPORT ASSY	01
02	0503010014	3/4" NUT	02
03	0501010322	FLAT WASHER	02



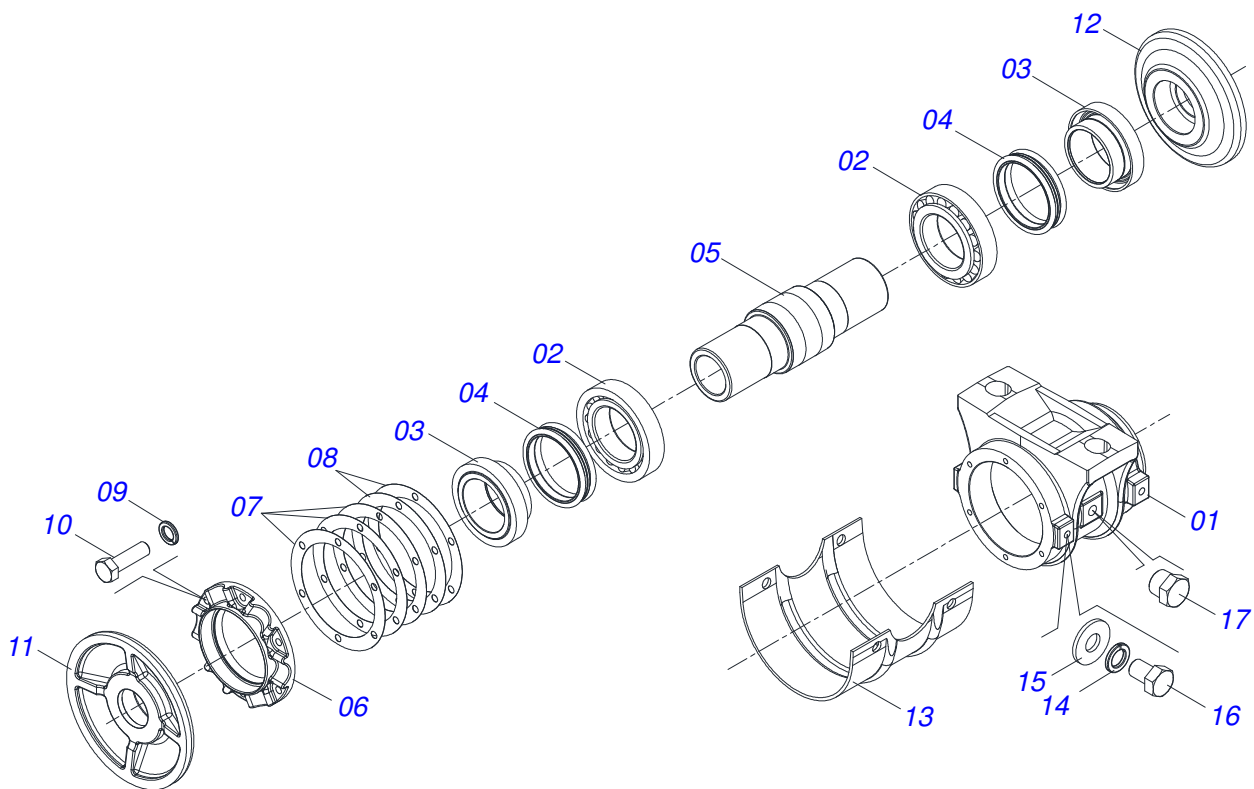
Item	Code	Description	QT
01	0503011627	QUICK CONNECTION (MALE) AGR 1/2 NPT	01
02	0503011882	QUICK CONNECTION COVER	01



Item	Code	Description	QT
01	0503060100	HAND BOOK COMPARTMENT	01
02	0503010267	NYLON CLAMP	01
03	0503010363	5/16" X 1" BOLT	01
04	0501010694	FLAT WASHER	01
05	0503010179	SPRING WASHER	01
06	0503010337	5/16" NUT	01



Item	Code	Description	12	14	16
01	0511042123	2-1/8" X 76" AXLE WITH NUTS	02	00	00
02	0501041514	2-1/8" X 8.9" AXLE WITH NUTS	00	02	00
03	0501041515	2-1/8" X 102" AXLE WITH NUTS	00	00	02
04	0501013759	2-1/8" X 76" AXLE	02	00	00
05	0501013760	2-1/8" X 8.9" AXLE	00	02	00
06	0501013761	2-1/8" X 102" AXLE	00	00	02
07	0502040063	2.1/8" X 54 99 NUT	04	04	04
08	0502010594	2-1/8" EXTERNAL AXLE WASHER	02	02	02
09	0602040001	30" X 0.3" NOTCHED DISC BLADE	12	14	16
10	0501046926	330MM X 2-1/8" RD. OIL BATH BEARING	02	02	03
11	0502010643	13" 2-1/8" SPACER	06	08	08
12	0502010595	2-1/8" INNER AXLE WASHER	02	02	02
13	0501010348	2-1/8"TO 2-1/2" NUT LOCK	04	04	04
14	0503010232	5/8" X 1.3/4" BOLT	08	08	08
15	0503010027	SPRING WASHER	08	08	08
16	0501012140	FLAT WASHER	08	08	08
17	0501042139	1" X 4.3" ASSY BOLT	08	08	12
17A	0501011547	1" X 4-1/2" BOLT	08	08	12
17B	0502012861	1" SQUARE WASHER	08	08	12
17C	0541010210	FLAT WASHER	08	08	12
17D	0501010059	1.5/8 NUT	16	16	24



Item	Code	Description	QT
001	0502010742	HOUSING DM	01
002	0503010117	32216 ROLLER BEARING	02
003	0502040123	SEAL RETAINER	02
004	0503030028	JB-257 SEAL	02
005	0502040034	BEARING AXLE	01
006	0502010645	HOUSING CAP DM	01
007	0503030536	7.1" X 5.5" X 0.01" JOINT	03
008	0503030686	7.1" X 5.5" X 0.004" JOINT	02
009	0503011443	SPRING WASHER	06
010	0503010751	C3/8" X 1.1/4" HEX BOLT G.5	06
011	0502040260	OUTER FLANGE	01
012	0502040261	INNER FLANGE	01
013	0511013169	PROTECTION COVER BEARING	01
014	0503010019	1/2" SPRING WASHER	04
015	0511017302	FLAT WASHER	04
016	0503011401	1/2" X 3/4" BOLT	04
017	0503010856	OIL PLUG	02



MARCHESAN IMPLEMENTOS E MÁQUINAS AGRÍCOLAS TATU S.A.

AV. Marchesan, 1979 - Post office box, 131 - CEP 15994-900 - Matão - SP - Brazil

Phone +55 16.3382-8282

(FAX Parts) + 55 16.3382. 8297 - (Export) + 55 16.3382.1003

e.mail: tatu@marchesan.com.br www.marchesan.com.br

Technical Publications: Elaboration

ALESSANDRA PATRICIA KAWAHARA CARRILI

Technical Publications: Revision

ALESSANDRA PATRICIA KAWAHARA CARRILI

Contact Catálogo:

E-mail = jgaspari@marchesan.com.br

**ORIGINAL PARTS
TATU**

