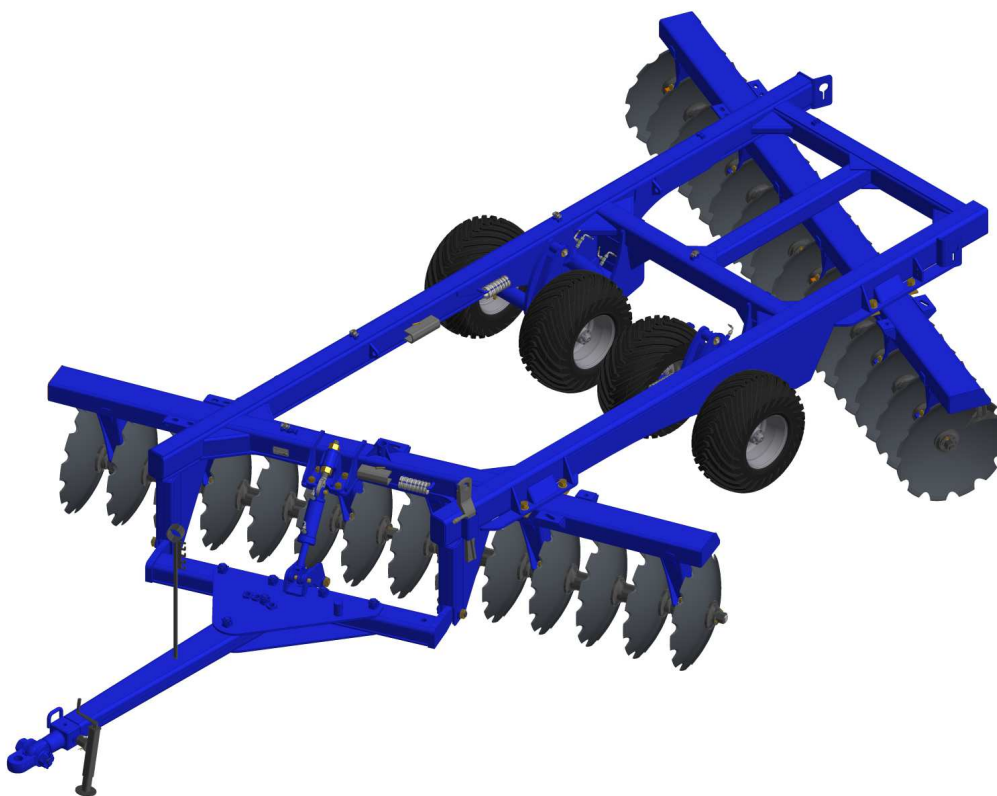


PARTS CATALOG

OFFSET DISK HARROW

GAPCR 360 TR - 28D

Code: 0501092217



Series: S-1115

Rev.: 00

Date Rev.: MAIO/2018

**ORIGINAL PARTS
TATU**



PRODUCTS

Code

0102060228

Description

GAPCR 360 TR 28X34X9,0 DR 400/60 S-1115

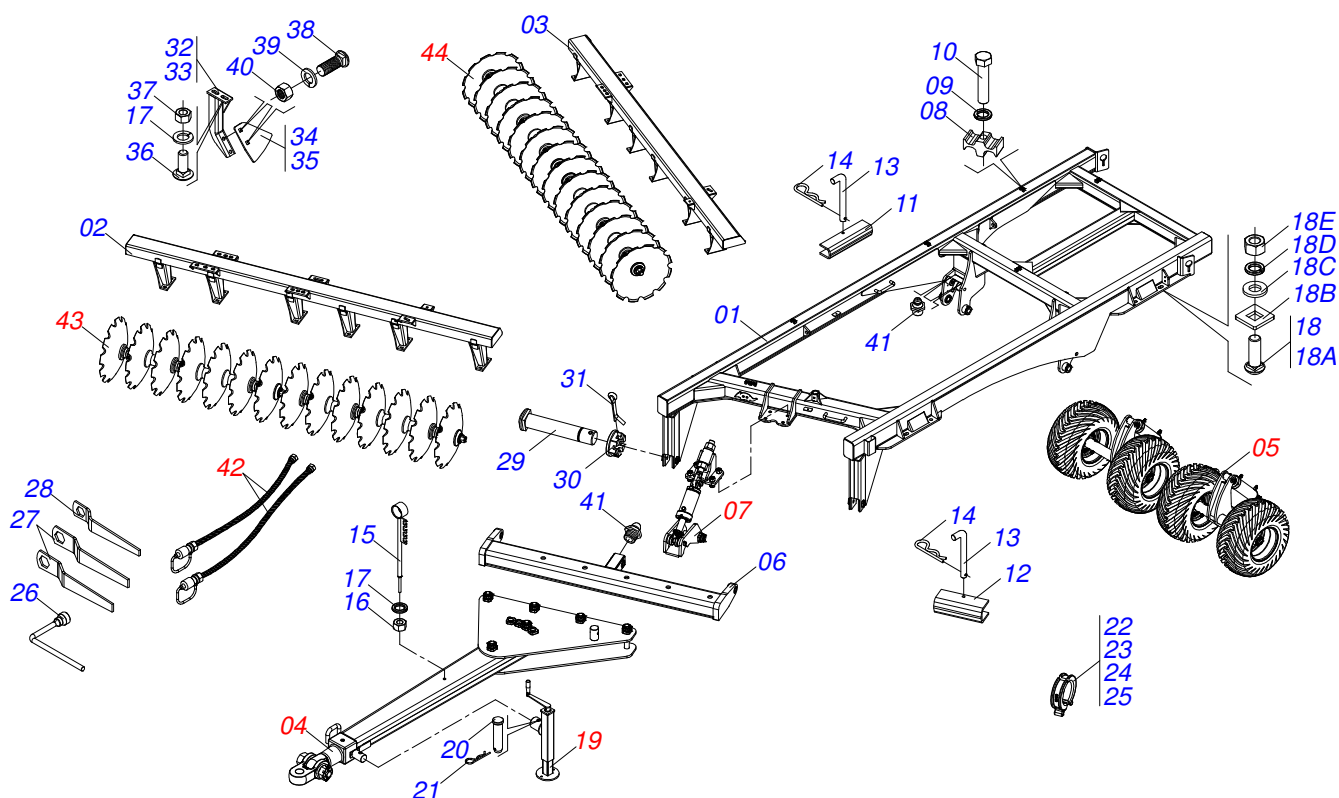
ATTENTION: *IMPORTANT*

MARCHESAN S/A RESERVES THE RIGHT AT ANY TIME TO MAKE IMPROVEMENTS IN THE DESIGN, MATERIAL OR SPECIFICATIONS OF MACHINERY, EQUIPMENT OR PARTS WITHOUT THEREBY BECOMING LIABLE TO MAKE SIMILAR CHANGES IN MACHINERY, EQUIPMENT OR PARTS PREVIOUSLY SOLD.

INDEX

0909094131	ASSY FRAME	1
0511041592	DRAWBAR ASSY	2
0909094135	WHEEL ASSY	3
0501056467	STUB SHAFT & HUB ASSY	4
0503060102	WHEEL AND TIRE	5
0521051831	53,98 X 114,30 X 635 X 275 HYDRAULIC CYLINDER	6
0909094136	HEAD ARTICULATED ASSY	7
0511058521	50,80X101,60X527X165 HYDRAULIC CYLINDER	8
0511048088	DRAWBAR JACK	9
0909094137	HYDRAULIC CIRCUIT	10
0501053834	QUICK CONECTION (MALE) 1/2	11
0909094138	28D - FRONT DISC SECTION	12
0909094139	28D - REAR DISC SECTION	13
0501048557	BEARING OIL	14

ASSY FRAME



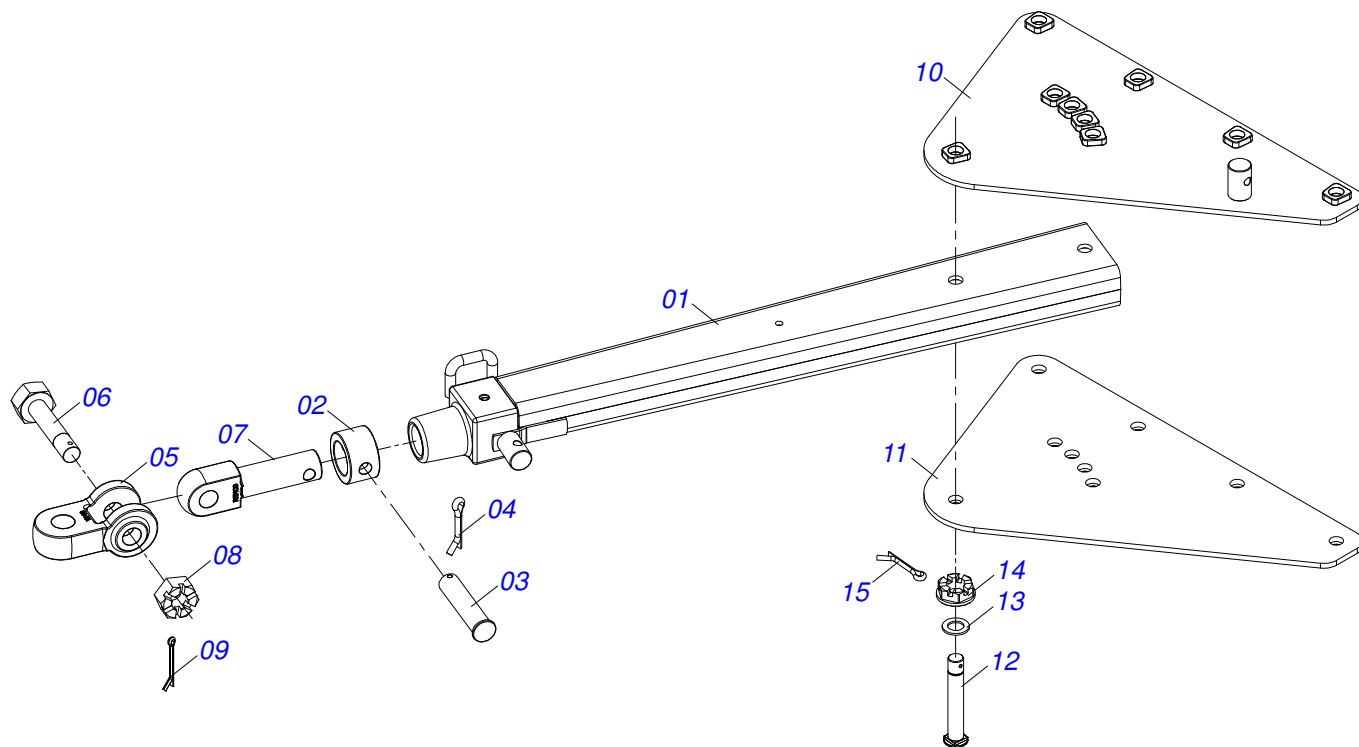
Item	Code	Description	QT
01	0521066705	FRAME	01
02	0521066694	FRONT FRAME	01
03	0521066695	REAR FRAME	01
04	0511041592	DRAWBAR ASSY	01
05	0909094135	WHEEL ASSY	01
06	0521066699	OFFSET BAR	01
07	0909094136	HEAD ARTICULATED ASSY	01
08	0502012702	BODY SUPPORT CLAMP	04
09	0503010180	7/16" SPRING WASHER	04
10	0503012555	7/16" X 2" BOLT	04
11	0581011012	TRANSPORT LOCK	02
12	0551019515	LATCH SHIPPING	01
13	0541016844	FIXER LOCK	03
14	0503030285	HAIR PIN	03
15	0521062849	HOSE HOLDER ASSY	01
16	0503010014	3/4" NUT	01
17	0503010023	SPRING WASHER	57
18	0501041102	1-1/4" X 3-3/4" ASSY BOLT	08
18A	0501015348	1-1/4" X 3-3/4" BOLT	08
18B	0501010953	1-1/4" SQUARE WASHER	08
18C	0531010713	FLAT WASHER	08
18D	0503010070	SPRING WASHER	08
18E	0501010087	1.1/4" NUT	08
19	0511048088	DRAWBAR JACK	01
20	0561014251	COUPLING SHAFT	01
21	0503030012	HAIR PIN	01
22	0501047895	ROD STOP	09
23	0501047885	ROD STOP	06
24	0501047886	ROD STOP	03
25	0501047887	ROD STOP	03
26	0503018438	1" WRENCH CYLINDRICAL HEX	01
27	0501011431	1-3/4" GANG BOLT WRENCH	02
28	0501011432	1-1/2" AND 1-5/8 GANG BOLT WRENCH	01



ASSY FRAME

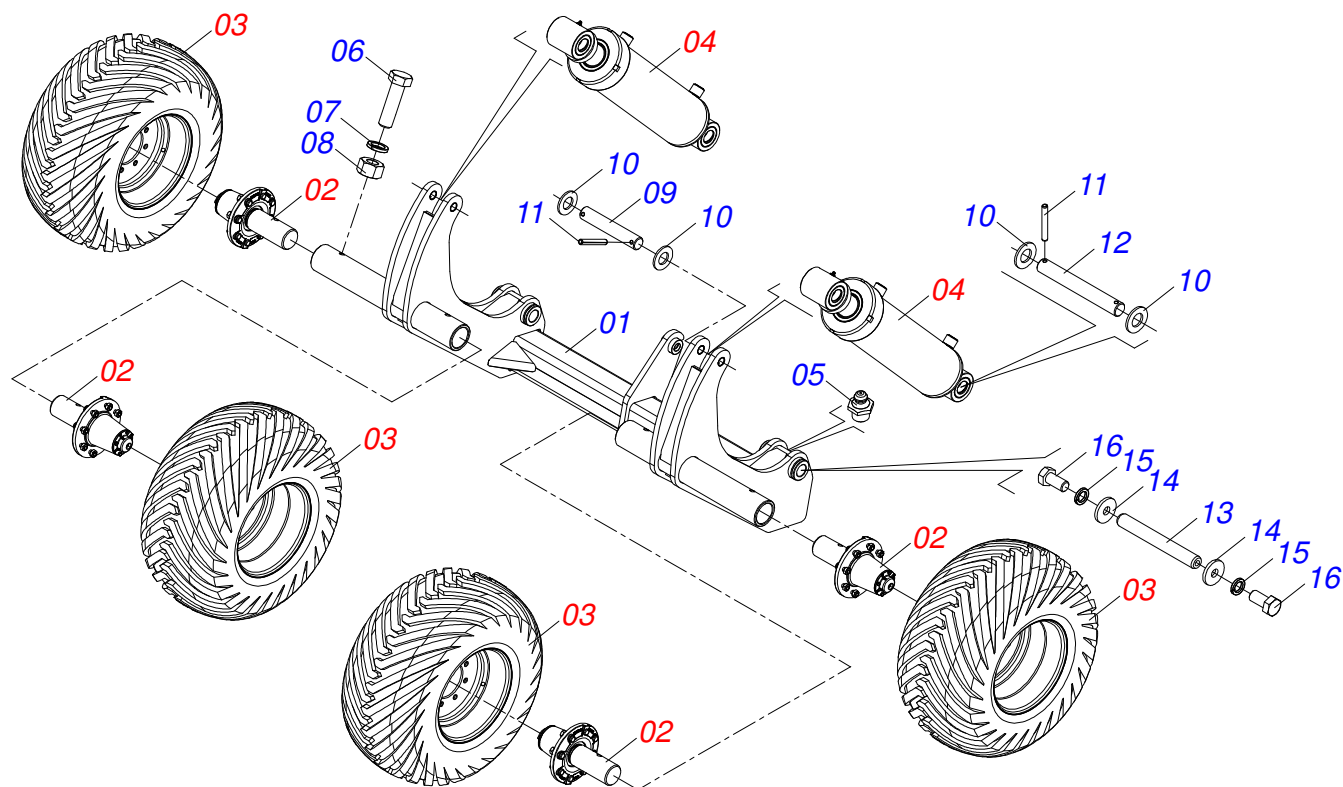
0909094131

Item	Code	Description	QT
29	0541014119	COUPLING SHAFT	02
30	0501011301	1.1/2 UNC 6FPP 2.5/16 NUT	02
31	0503010010	1/4" X 2.1/2" COTTERPIN	02
32	0511060138	FRONT CLEANER SUPPORT	14
33	0511060139	REAR CLEANER SUPPORT	14
34	0521013678	FRONT CLEANER	14
35	0521013679	REAR CLEANER	14
36	0501017305	3/4" X 2-1/4" BOLT	56
37	0503012183	SNC 3/4" ZIN 1K03097 NUT	56
38	0503012407	5/8" X 1-1/2" BOLT	56
39	0503010027	SPRING WASHER	56
40	0503010013	5/8" NUT	56
41	0503010002	1800 GREASE FITTING	08
42	0909094137	HYDRAULIC CIRCUIT	01
43	0909094138	28D - FRONT DISC SECTION	01
44	0909094139	28D - REAR DISC SECTION	01

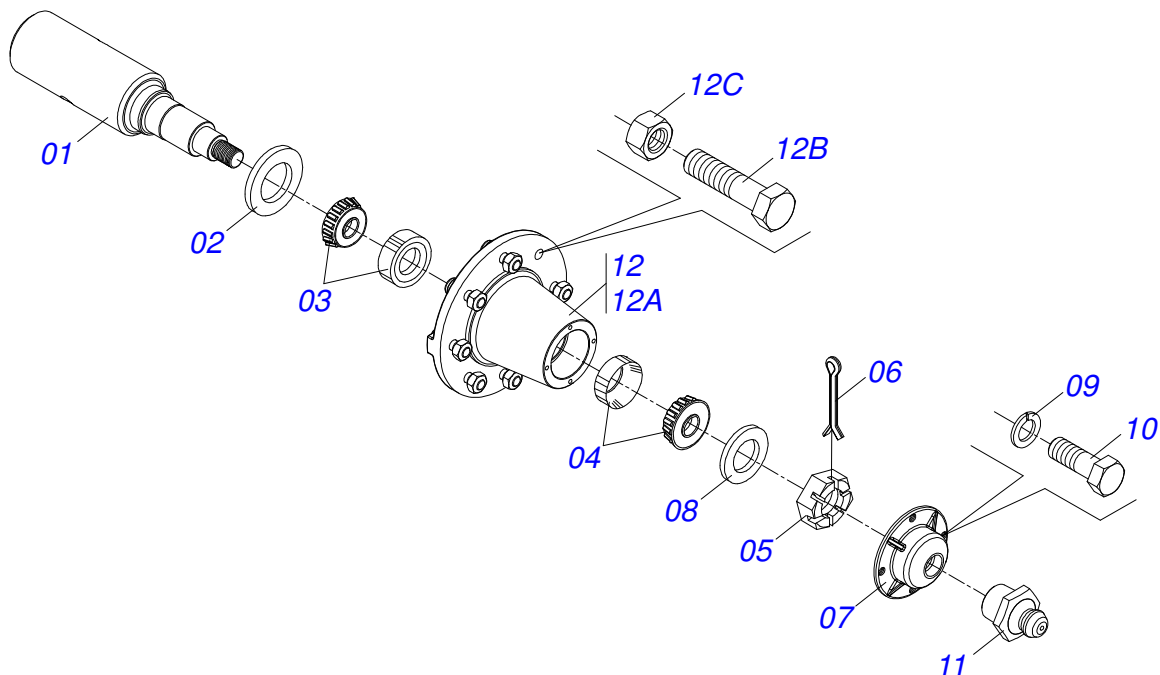


Item	Code	Description	QT
001	0511064669	DRAWBAR ASSY	01
002	0502040263	ANEL TRAVA ENGATE	01
003	0561017306	COUPLING SHAFT	01
004	0503010523	1/4" X 2" COTTERPIN	01
005	0502040293	YH-90 CLEVIS	01
006	0511067199	2" BOLT	01
007	0502040264	DRAWBOLT	01
008	0502040558	2" CASTLE NUT	01
009	0503010074	3/8 X 0,15" COTTERPIN	01
010	0511064659	UPPER PLATE	01
011	0511064658	LOWER PLATE	01
012	0521011880	37,5 X 242 COUPLING SHAFT	06
013	0501012916	FLAT WASHER 38,50 X 66 X 4,75 ZN	06
014	0501011301	1.1/2 UNC 6FPP 2.5/16 NUT	06
015	0503010010	1/4" X 2.1/2" COTTERPIN	06

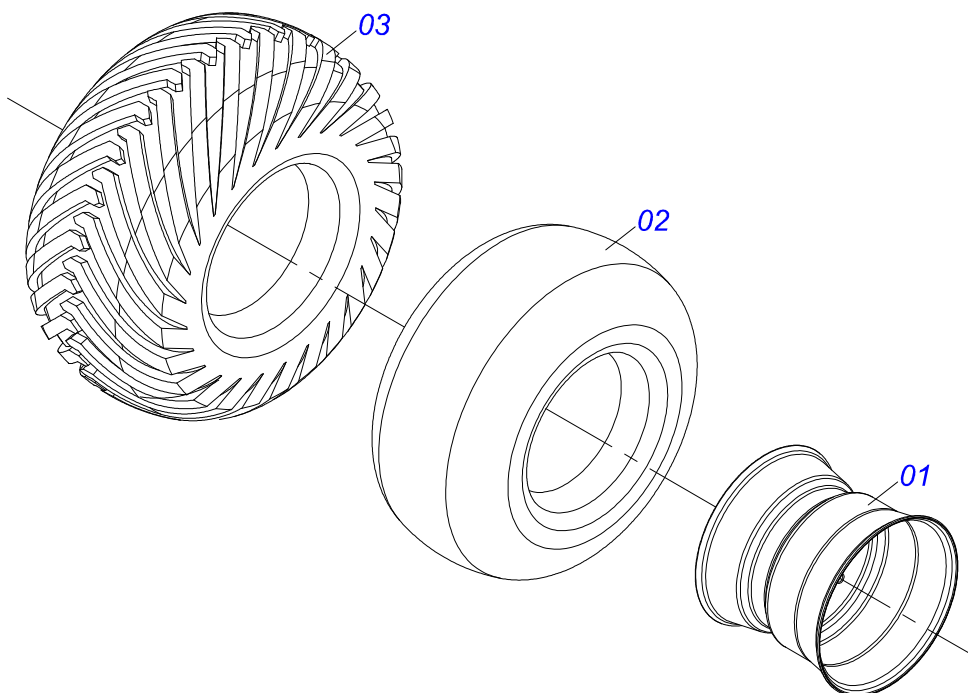
WHEEL ASSY



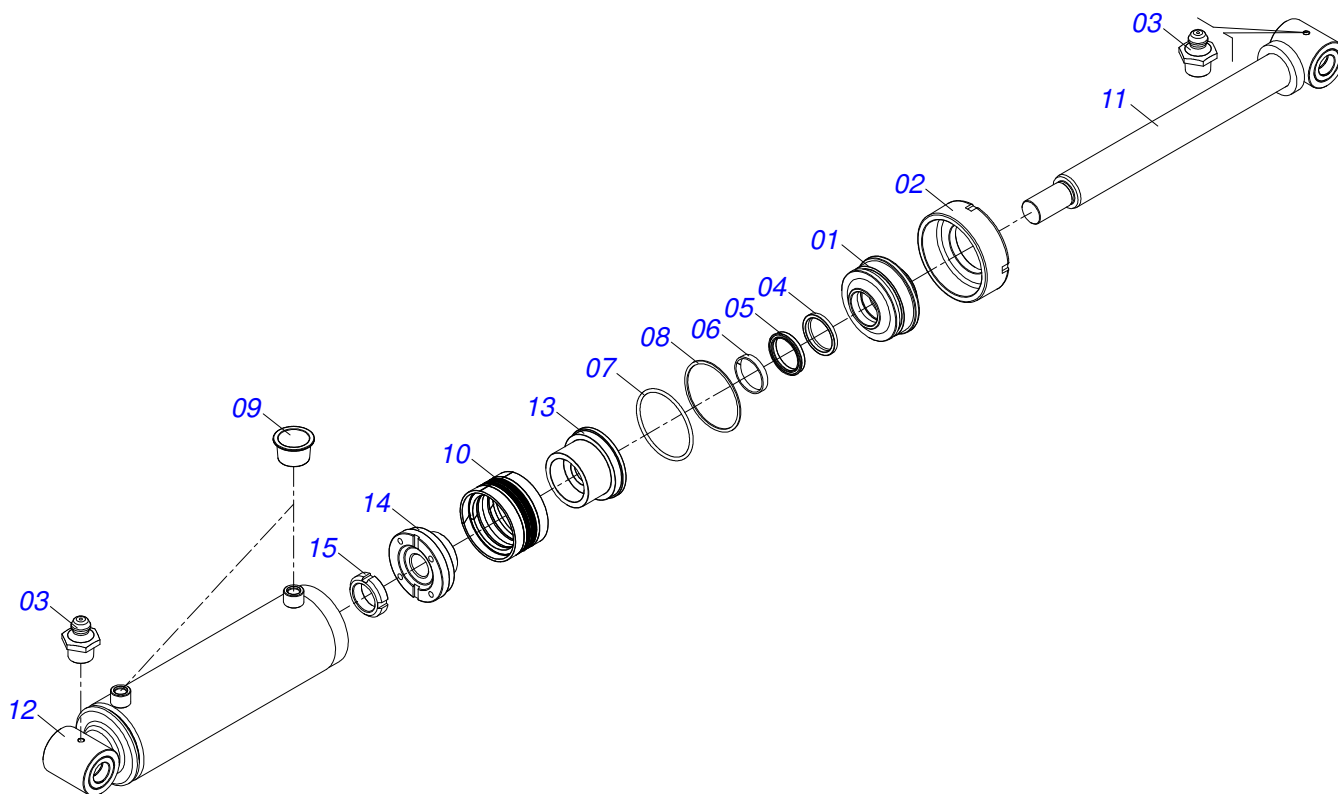
Item	Code	Description	QT
01	0521066478	GCRO 7010 CARRYNG-WHEELS	01
02	0501056467	STUB SHAFT & HUB ASSY	04
03	0503060102	WHEEL AND TIRE	04
04	0521051831	53,98 X 114,30 X 635 X 275 HYDRAULIC CYLINDER	02
05	0503010002	1800 GREASE FITTING	02
06	0503011198	C3/4" X 6" BOLT	04
07	0503010023	SPRING WASHER	04
08	0503010014	3/4" NUT	04
09	0531018101	1.2" X 6.3" PIVOT SHAFT	02
10	0501017779	FLAT WASHER	08
11	0503011877	0.3" X 2.4" SPRING PIN	08
12	0531018105	1.2" X 11.8" PIVOT SHAFT	02
13	0531018062	COUPLING SHAFT	02
14	0521011565	FLAT WASHER	04
15	0503010012	1" SPRING WASHER	08
16	0503011250	1" X 2" BOLT	04



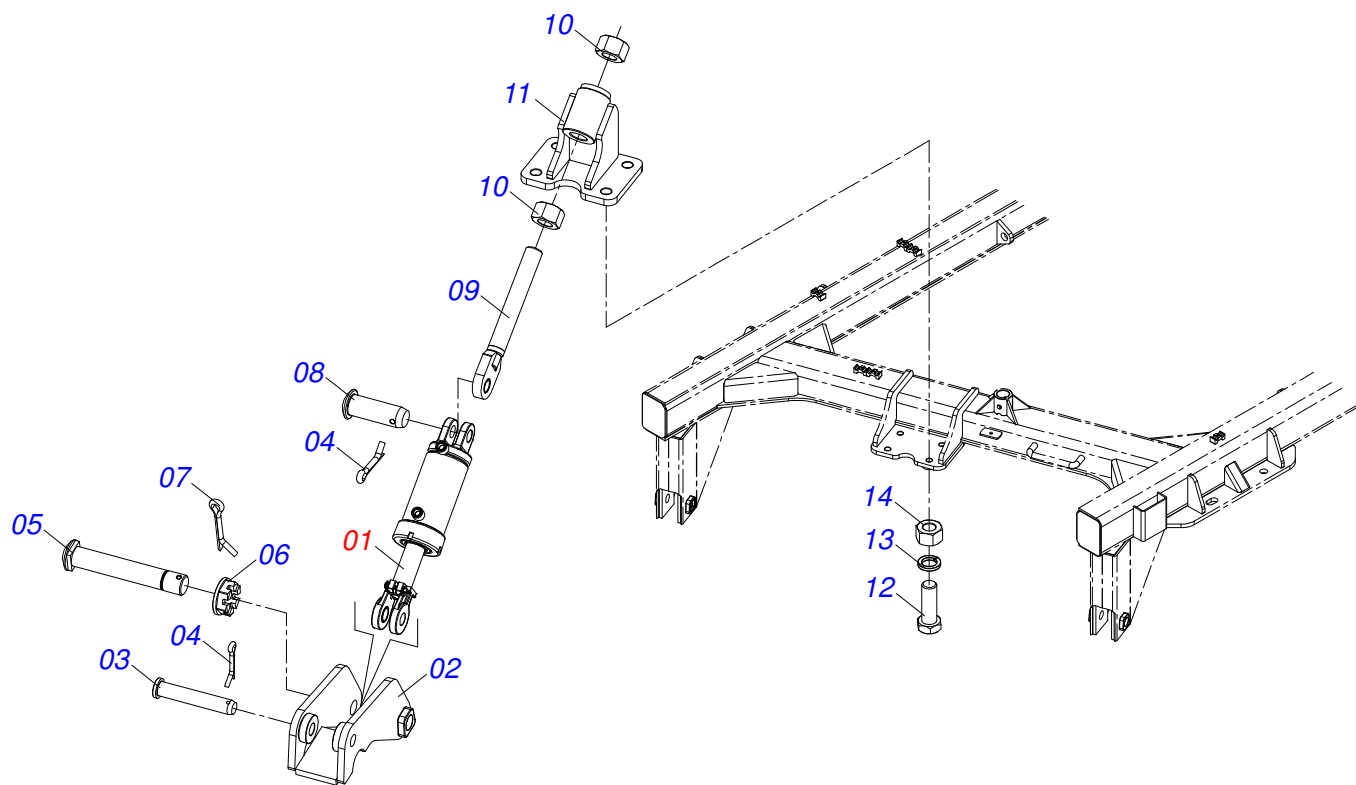
Item	Code	Description	QT
01	0541016566	POINT AXIS 3.1/2 X 375 GCRO 7010	01
02	0503013314	RETENTOR 5166-GB 63,5 X 110 X 13 ARCA	01
03	0503015290	3780/3720 ROLLER BEARING	01
04	0503014821	ROLLER BEARING	01
05	0503830009	1" X 0.9" CASTLE NUT	01
06	0503010018	5/32 X 1-1/2 COTTERPIN	01
07	0502020591	PROTECCION COVER	01
08	0511812492	FLAT WASHER	01
09	0503011444	SPRING WASHER	04
10	0503810358	5/16" X 7/8" UNC BOLT	04
11	0503010002	1800 GREASE FITTING	01
12	0501110738	CARRYING WHEEL HUB	01
12A	0502012260	CAIXA RODADO TRANSPORTE GCRO 2240	01
12B	0501010186	PARAFUSO ROD 5/8UNF X 2.1/8CR	08
12C	0503010064	5/8 UNF CONIC NUT	08



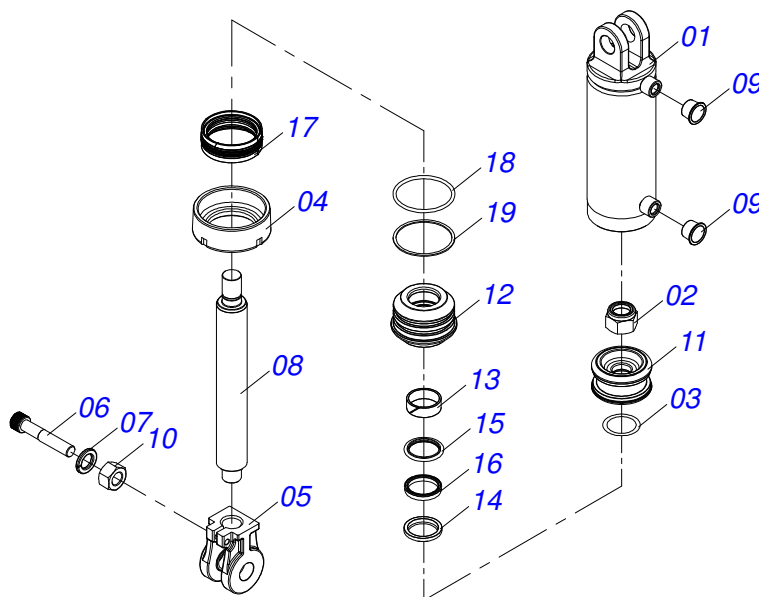
Item	Code	Description	QT
001	0501069483	WHEEL	01
002	0503012112	400/60 - 15.5 TR 15 INNER TIRE	01
003	0503013119	CANVAS TIRE	01



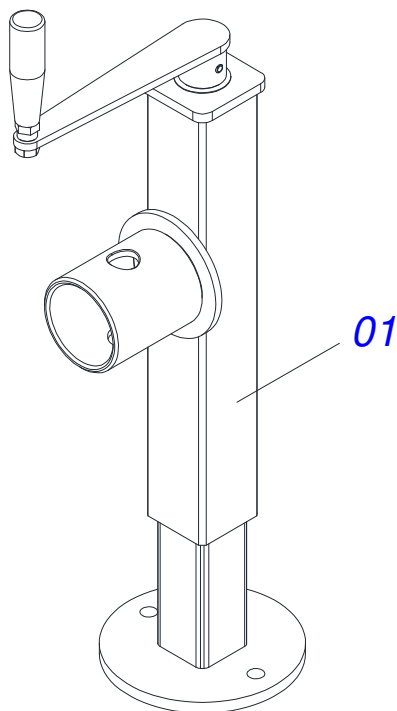
Item	Code	Description	QT
01	0502012644	RING SUPPORT	01
02	0502011222	0.56" MOBILE COVER	01
03	0503010002	1800 GREASE FITTING	02
04	0503015715	SCRAPER SEALING	01
05	0503015642	U-CUP SEALING	01
06	0503015641	RING SLYDRING	01
07	0503011892	2-346 N 3006-9B O-RING	01
08	0503011893	8-346 BACK-UP RING	01
09	0503030384	CON N-001 PLUG	02
10	0503015640	SEALING SELEMASTER	01
11	0521066697	53,98 X 571,50 EXTENSOR	01
12	0521066696	114,30 X 429 CYLINDER CASE	01
13	0561016578	PISTON BODY	01
14	0581015283	BODY	01
15	0503819100	SCREW	01



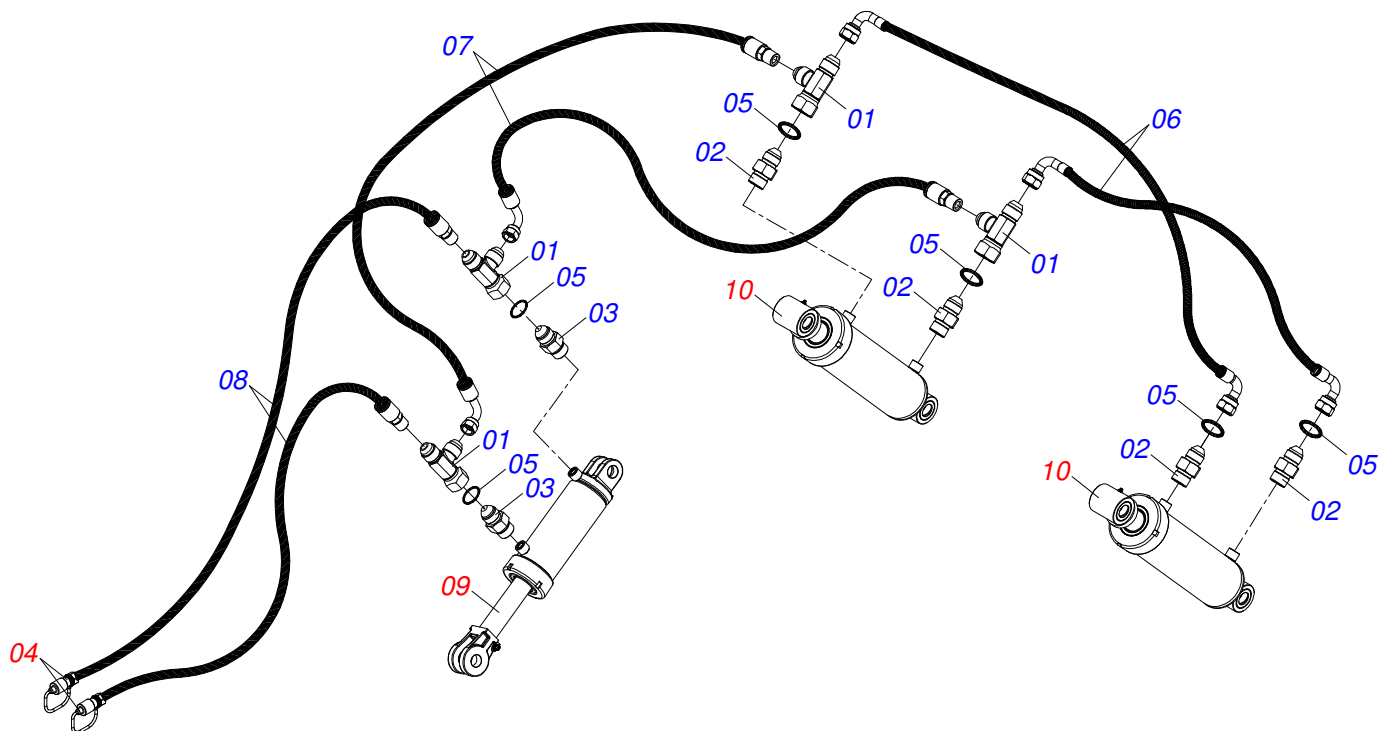
Item	Code	Description	QT
01	0511058521	50,80X101,60X527X165 HYDRAULIC CYLINDER	01
02	0511064656	DRAWBAR PIVOT	01
03	0531019171	1.25" X 7" COUPLING SHAFT	01
04	0503010523	1/4" X 2" COTTERPIN	01
05	0521812053	1.5" X 8.6" AXLE	01
06	0501011301	1.1/2 UNC 6FPP 2.5/16 NUT	01
07	0503010010	1/4" X 2.1/2" COTTERPIN	01
08	0521012538	1.2" X 3.5" COUPLING SHAFT	01
09	0511064433	REGULATOR SPINDLE 1-3/4	01
10	0501010333	1.3/4" NUT	02
11	0521066580	CYLINDER FIXER	01
12	0501010276	1" X 3" BOLT	04
13	0503010012	1" SPRING WASHER	04
14	0501010059	1.5/8 NUT	04



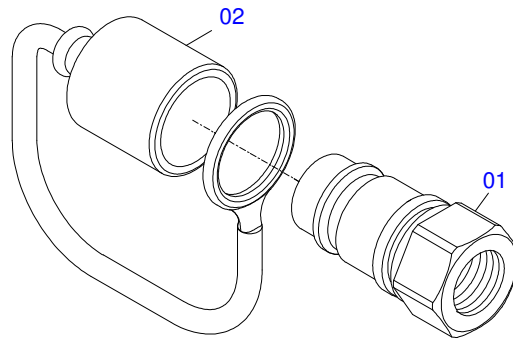
Item	Code	Description	QT
01	0521066698	CYLINDER CASE ASSY	01
02	0503010817	1-1/4" SELF-ADJUSTING NUT	01
03	0503018029	2-217 O'RING	01
04	0502012822	101,60 MOBILE COVER	01
05	0502040747	FORK	01
06	0503011094	3/8" X 2" BOLT C C S I 12.9	01
07	0503011443	SPRING WASHER	01
08	0581011007	HYDRAULIC CYLINDER TURNBUCKLE	01
09	0503030384	CON N-001 PLUG	02
10	0503010026	3/8" NUT	01
11	0502012820	50,80 X 101,60 PISTON	01
12	0502012821	50,80 X 101,60 RING SUPPORT	01
13	0503018025	RING GUIDE	01
14	0503010039	D-2000 SCRAPER RING	01
15	0503018026	1870-2000-375 B GASKET	01
16	0503018024	RING BS	01
17	0503015633	SELEMASTER SEALING	01
18	0503010338	2-342 N 3006-9B O'RING	02
19	0503011061	8-342 BACK-UP RING	02



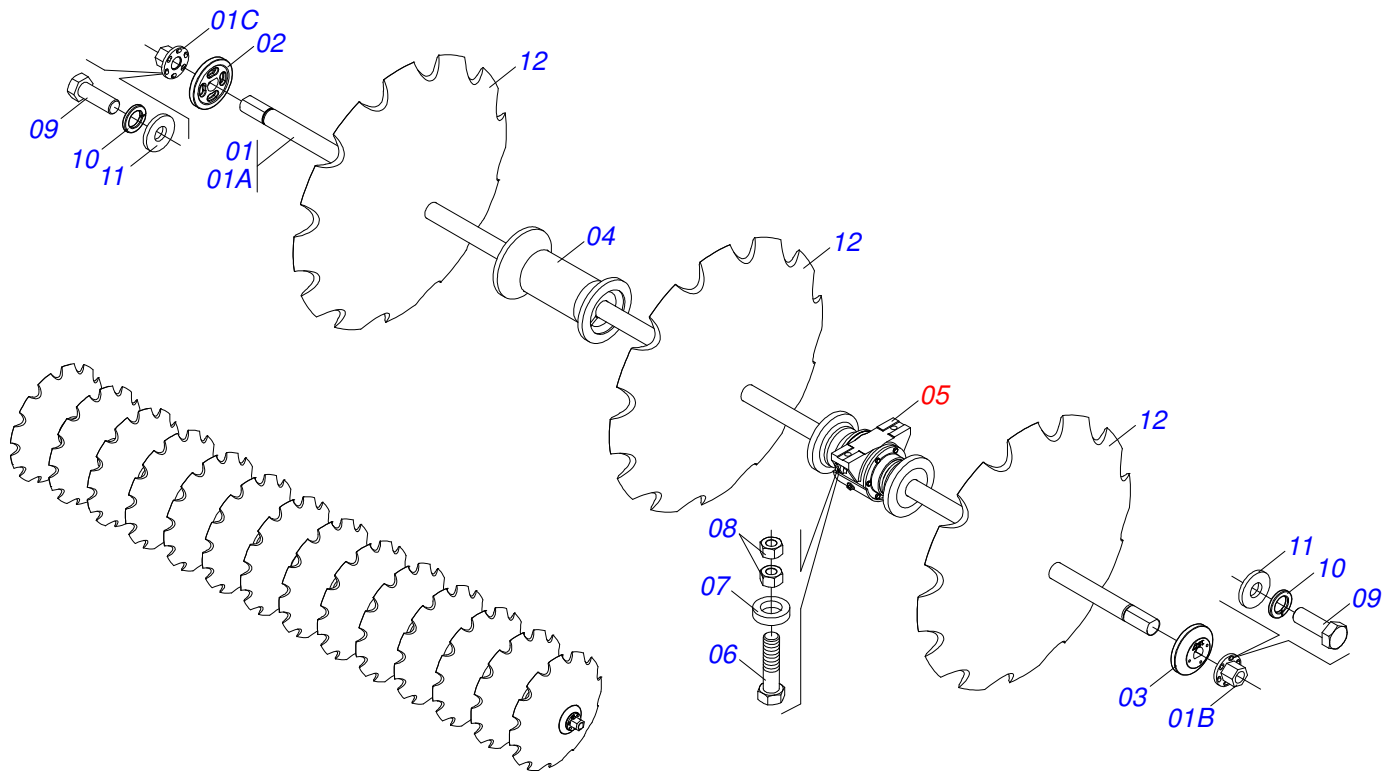
Item	Code	Description	QT
01	0503062227	DRAWBAR JACK	01



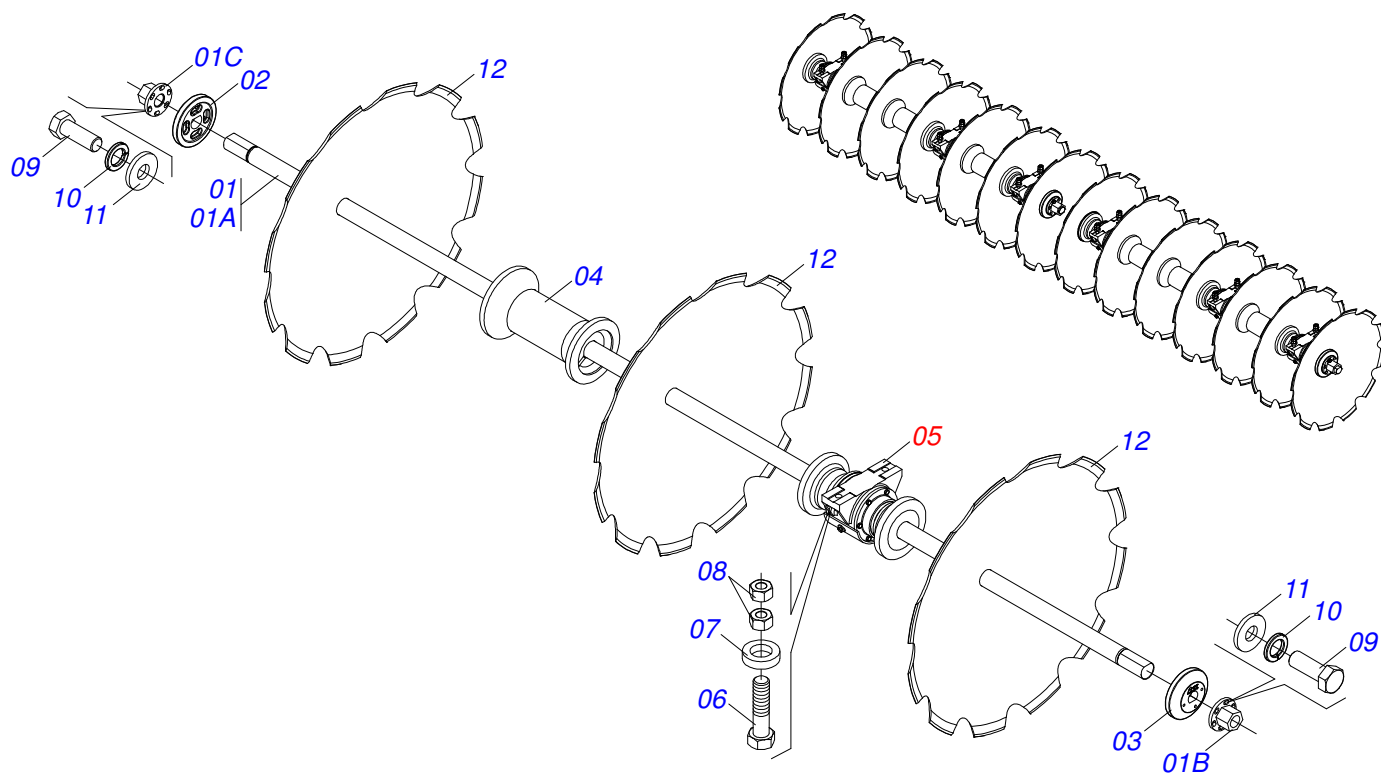
Item	Code	Description	QT
01	0503011968	T ADAPTOR WITH GIRAT	04
02	0501010617	3/4" NIPPLE	04
03	0561014252	3/4 UNF X 44 NIPPLE WITH REDUCTION	02
04	0501053834	QUICK CONECTION (MALE) 1/2	02
05	0503010190	2-114 N 3006-9B O-RING	06
06	0501080514	3/8" X 67" TC-TC HOSE ASSY	02
07	0501080390	3/8" X 150" TR-TC HOSE ASSY	02
08	0501080510	3/8" X 137" TR-TR HOSE ASSY	02
09	0511058521	50,80X101,60X527X165 HYDRAULIC CYLINDER	01
10	0521051831	53,98 X 114,30 X 635 X 275 HYDRAULIC CYLINDER	02



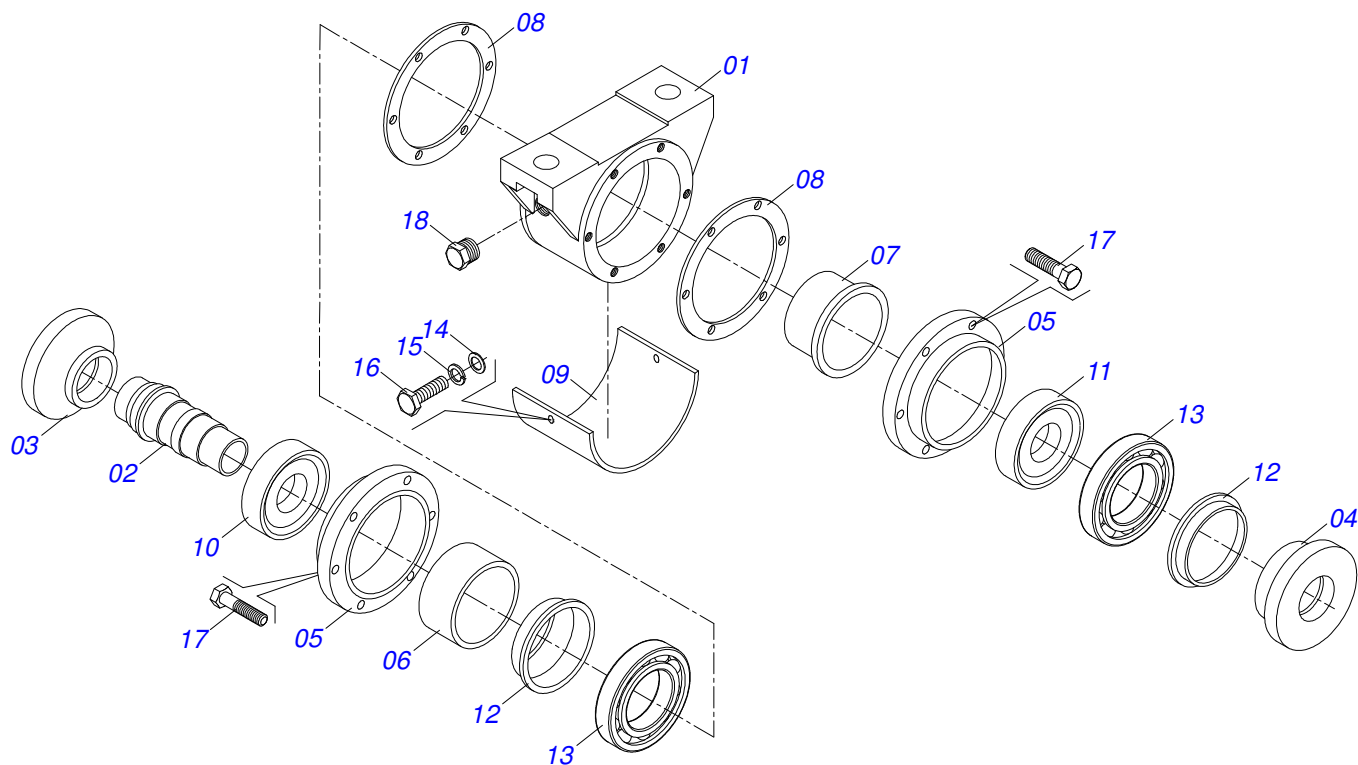
Item	Code	Description	QT
01	0503011627	QUICK CONNECTION (MALE) AGR 1/2 NPT	01
02	0503011882	QUICK CONNECTION COVER	01



Item	Code	Description	QT
01	0511050179	DISC AXLE WITH NUT	02
01A	0521013683	DISC AXLE	02
01B	0502011581	LEFT NUT	02
01C	0502011580	RIGHT NUT	02
02	0502011578	INNER FLANGE	02
03	0502011577	OUTER FLANGE	02
04	0502011579	SPACER	06
05	0501048557	BEARING OIL	06
06	0503013826	3/4 UNC X 3.3/4 C S G.8 SCREW	12
07	0521013710	WASHER GVC 33200 SEMIMAN	12
08	0503012183	SNC 3/4" ZIN 1K03097 NUT	12
09	0503010834	1/2 X 1 BOLT	08
10	0503010019	1/2" SPRING WASHER	08
11	0501010937	FLAT WASHER	08
12	0602046009	34 X 9 MM NOTCHED DISC	14



Item	Code	Description	QT
01	0511050179	DISC AXLE WITH NUT	02
01A	0521013683	DISC AXLE	02
01B	0502011581	LEFT NUT	02
01C	0502011580	RIGHT NUT	02
02	0502011577	OUTER FLANGE	02
03	0502011578	INNER FLANGE	02
04	0502011579	SPACER	06
05	0501048557	BEARING OIL	06
06	0503013826	3/4 UNC X 3.3/4 C S. G.8 SCREW	12
07	0521013710	WASHER GVC 33200 SEMIMAN	12
08	0503012183	SNC 3/4" ZIN 1K03097 NUT	12
09	0503010834	1/2 X 1 BOLT	08
10	0503010019	1/2" SPRING WASHER	08
11	0501010937	FLAT WASHER	08
12	0602046009	34 X 9 MM NOTCHED DISC	14



Item	Code	Description	QT
01	0502011641	BEARIN BODY	01
02	0502011633	CENTER DEARIN	01
03	0502011630	WASHER CONCAVE	01
04	0502011631	WASHER CONVEX	01
05	0502011632	BEARING COVER	02
06	0502011827	SPACER	01
07	0502011629	SPACER	01
08	0503031502	JOINT BEARIN	02
09	0521013855	PLATE PROTECTION	01
10	0502011627	HOUSING RETAINE	01
11	0502011628	HOUSING RETAINE	01
12	0503012824	RETAINER	02
13	0503012285	32212 ROLLER BEARING	02
14	0501010984	FLAT WASHER	02
15	0503010025	3/8 SPRING WASHER	02
16	0503011334	3/8" X 3/4" BOLT	02
17	0503010237	3/8" X 1" BOLT	12
18	0503010856	OIL PLUG	01



MARCHESAN IMPLEMENTOS E MÁQUINAS AGRÍCOLAS TATU S.A.

AV. Marchesan, 1979 - Post office box, 131 - CEP 15994-900 - Matão - SP - Brazil

Phone +55 16.3382-8282

(FAX Parts) + 55 16.3382. 8297 - (Export) + 55 16.3382.1003

e.mail: tatu@marchesan.com.br www.marchesan.com.br

Technical Publications: Elaboration

ALESSANDRA PATRICIA KAWAHARA CARRILI

Technical Publications: Revision

ALESSANDRA PATRICIA KAWAHARA CARRILI

Contact Catálogo:

E-mail = jgaspari@marchesan.com.br

**ORIGINAL PARTS
TATU**

