

PARTS CATALOG

PCA - AGRICULTURAL FRONT LOADER

PCA 800 NH SHT CD SL 7630-4 S100

Code: 0501092216



Series: S-0603

Rev.: 0

Date Rev.: MAIO/2018

**ORIGINAL PARTS
TATU**



PRODUCTS

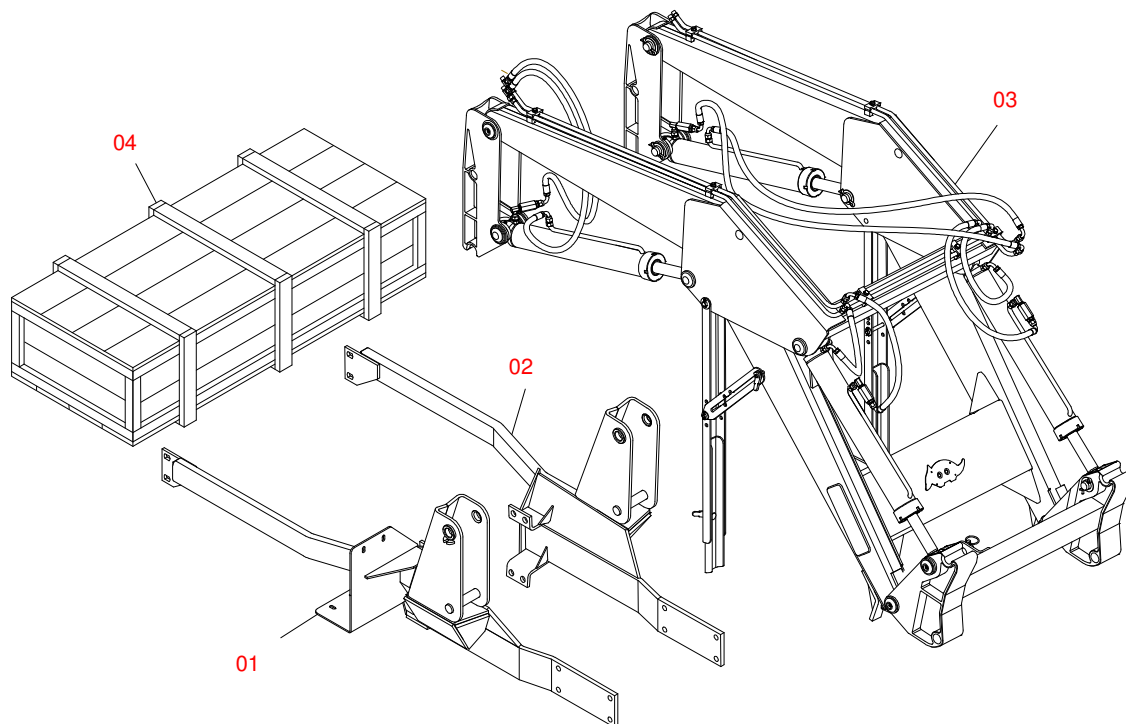
Code	Description
0106110603	PCA 800 NH7630-4S100 SHTCDSL S-0603

ATTENTION: **IMPORTANT**

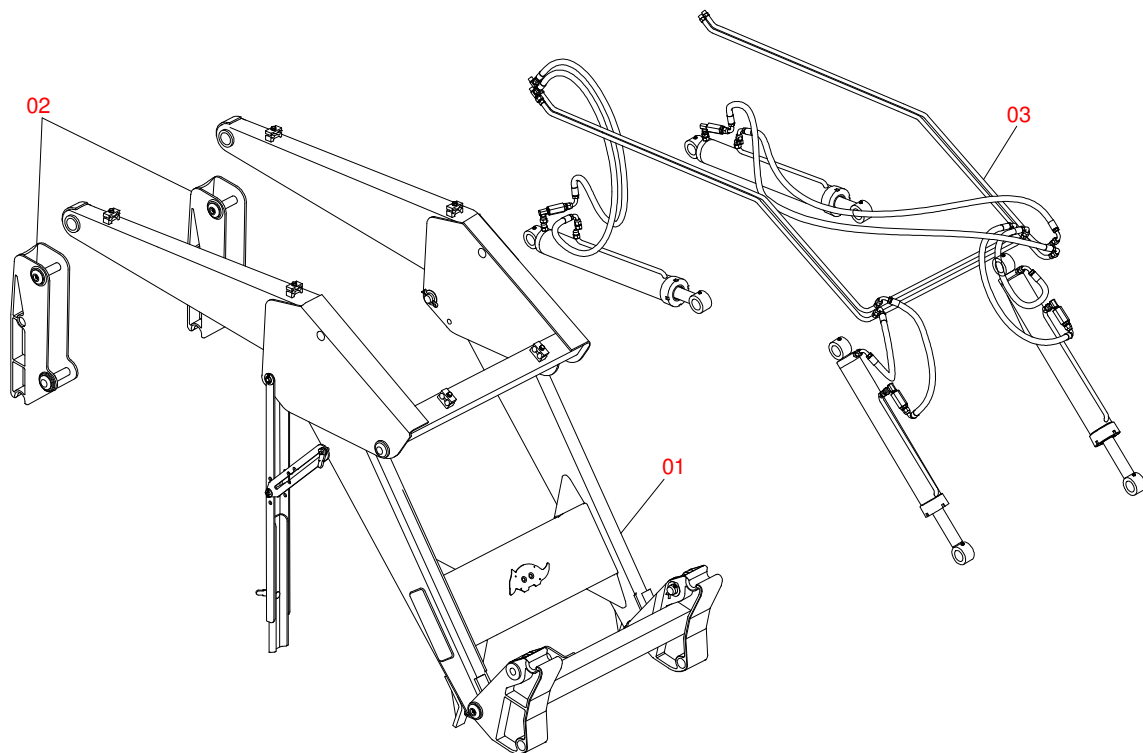
MARCHESAN S/A RESERVES THE RIGHT AT ANY TIME TO MAKE IMPROVEMENTS IN THE DESIGN, MATERIAL OR SPECIFICATIONS OF MACHINERY, EQUIPMENT OR PARTS WITHOUT THEREBY BECOMING LIABLE TO MAKE SIMILAR CHANGES IN MACHINERY, EQUIPMENT OR PARTS PREVIOUSLY SOLD.

INDEX

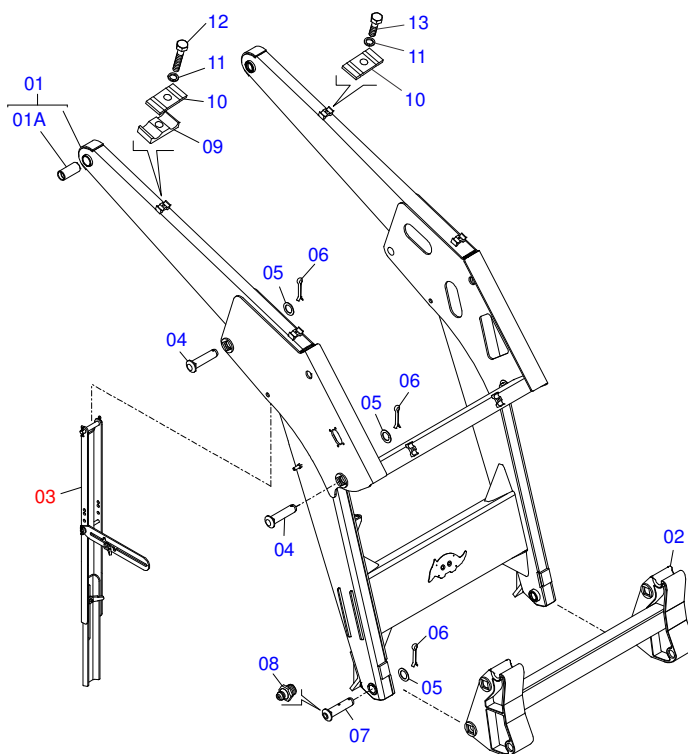
0106110603	PCA 800 NH7630-4S100 SHT CD SL	1
0501048062	FULL MOBILE SUPPORT - PCA 800 SHT CD	2
0909092666	MOBILE HOLDER PCA 800 BT CD	3
0909094132	MOBILE TOWER - PCA 800	4
0909092667	ADJUSTABLE REST OF MOVABLE SUPPORT	5
0909092665	HYDRAULIC CIRCUIT OF MOBILE SUPPORT - PCA 800	6
0511020871	BOX WITH COMPONENTS - PCA NH 7630-4 S100 SHT CD SL	7
0501047808	OIL RESERVOIR ASSY	8
0501041108	RETURNING FILTER ASSY	9
0501044573	FULL PUMP WITH PIPELINES - F5600/6630	10
0501041627	1/2" DOUBLE COMMAND	11
0501047446	CONTROL VALVE (P/COM 1/2 PCA)	12
0511057973	HIDRAULIC CYLINDER 44,45 X 76,20 X 820 X 551	13
0511057974	44,45 X 85,72 X 870 X 593 HYDRAULIC CYLINDER	14
0501053834	MALE QUICK COUPLING AGRICULTURAL WITH COVER - 1/2 NPT	15
0501053835	FEMALE QUICK COUPLER	16



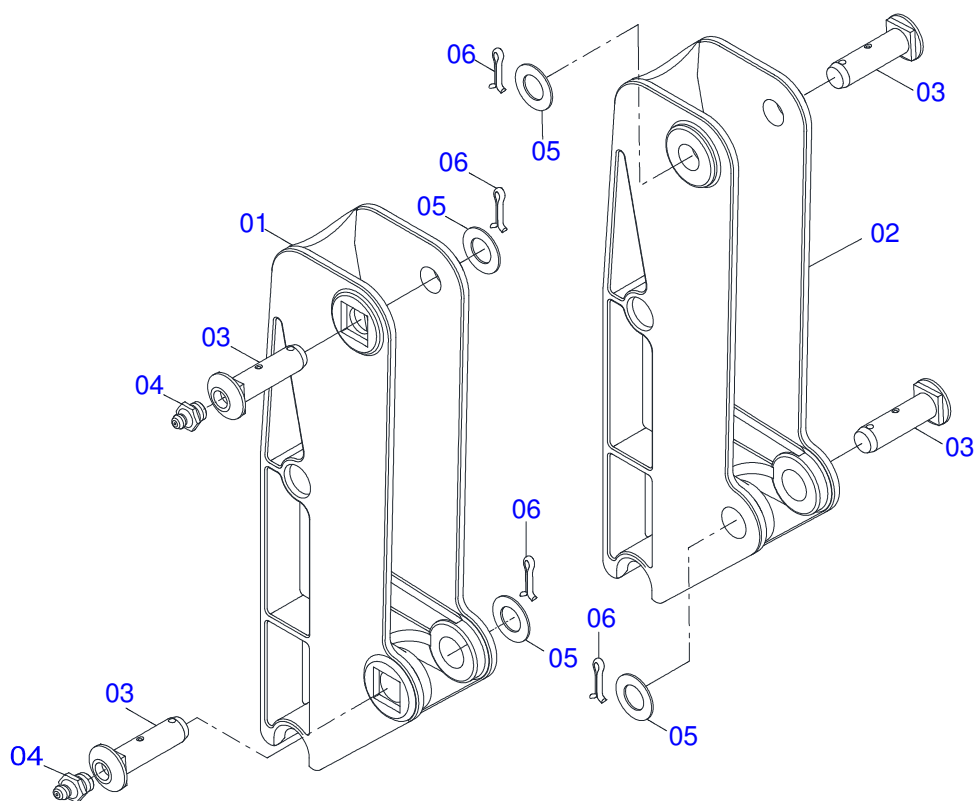
Item	Code	Description	See page	QT
01	0511064835	RIGHT CHASSIS - SHT PCA NH7630 S100		01
02	0511064837	LEFT CHASSIS - PCA NH 7630-4 S100		01
03	0501048062	FULL MOBILE SUPPORT - PCA 800 SHT CD	2	01
04	0511020871	BOX WITH COMPONENTS - PCA NH 7630-4 S100 SHT CD SL	7	01



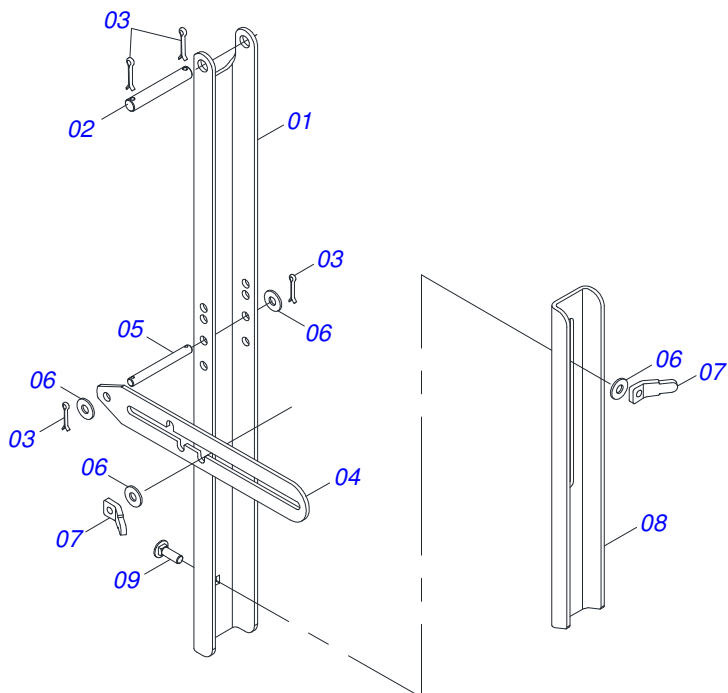
Item	Code	Description	See page	QT
01	0909092666	MOBILE HOLDER PCA 800 BT CD	3	01
02	0909094132	MOBILE TOWER - PCA 800	4	01
03	0909092665	HYDRAULIC CIRCUIT OF MOBILE SUPPORT - PCA 800	6	01



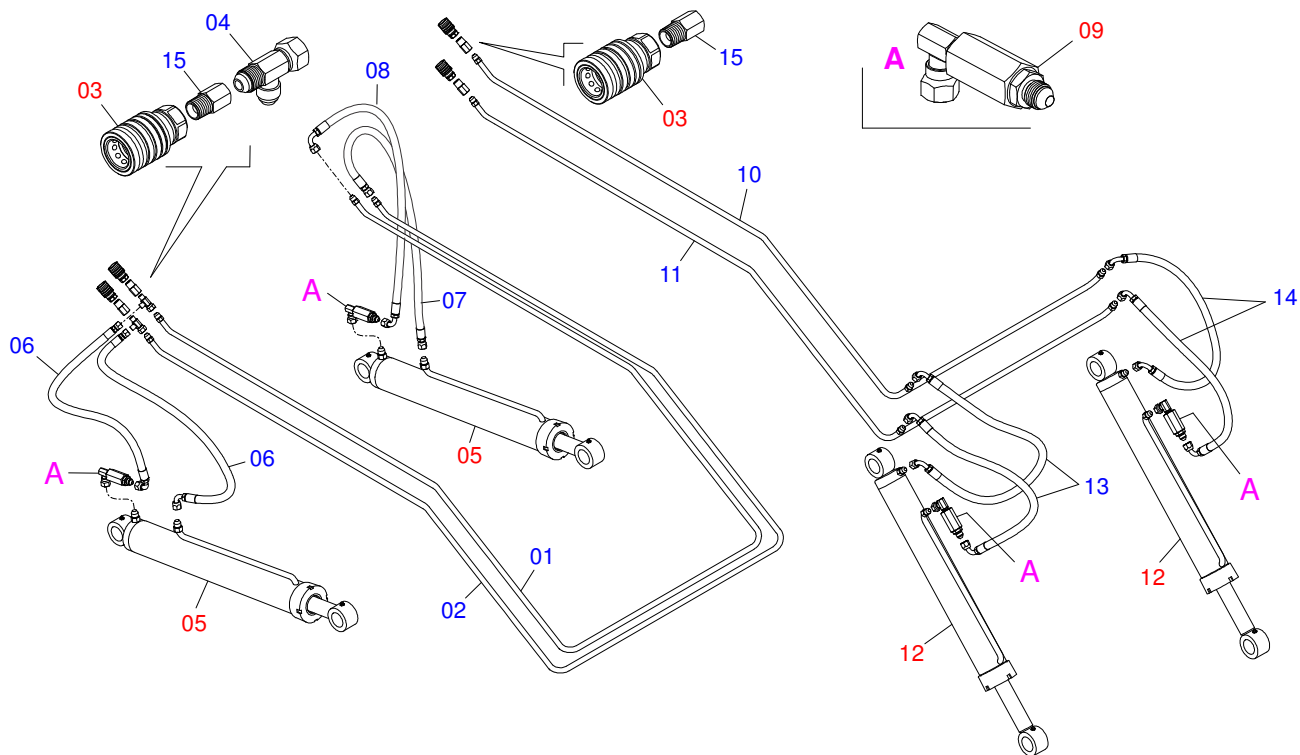
Item	Code	Description	See page	QT
01	0501069453	MOBILE SUPPORT		01
01A	0501110286	SLEEVE		04
02	0501069146	JOINT SUPPORT PCA 800		01
03	0909092667	ADJUSTABLE REST OF MOVABLE SUPPORT	5	02
04	0521012868	1.4" X 5" PIVOT SHAFT		02
05	0511019685	FLAT WASHER		02
06	0503010534	3/8 X 2-1/2 COTTERPIN		06
07	0521012870	1.46" X 6.18" PIVOT SHAFT		02
08	0503010002	1800 GREASE FITTING		02
09	1902010477	UPPER CLAMP BODY		04
10	0531011180	UPPER BODY CLIP		06
11	0503010180	7/16" SPRING WASHER		06
12	0503012555	7/16" X 2" BOLT		04
13	0503011102	PARAFUSO 7/16 UNC X 1.1/4 C S G.5		02



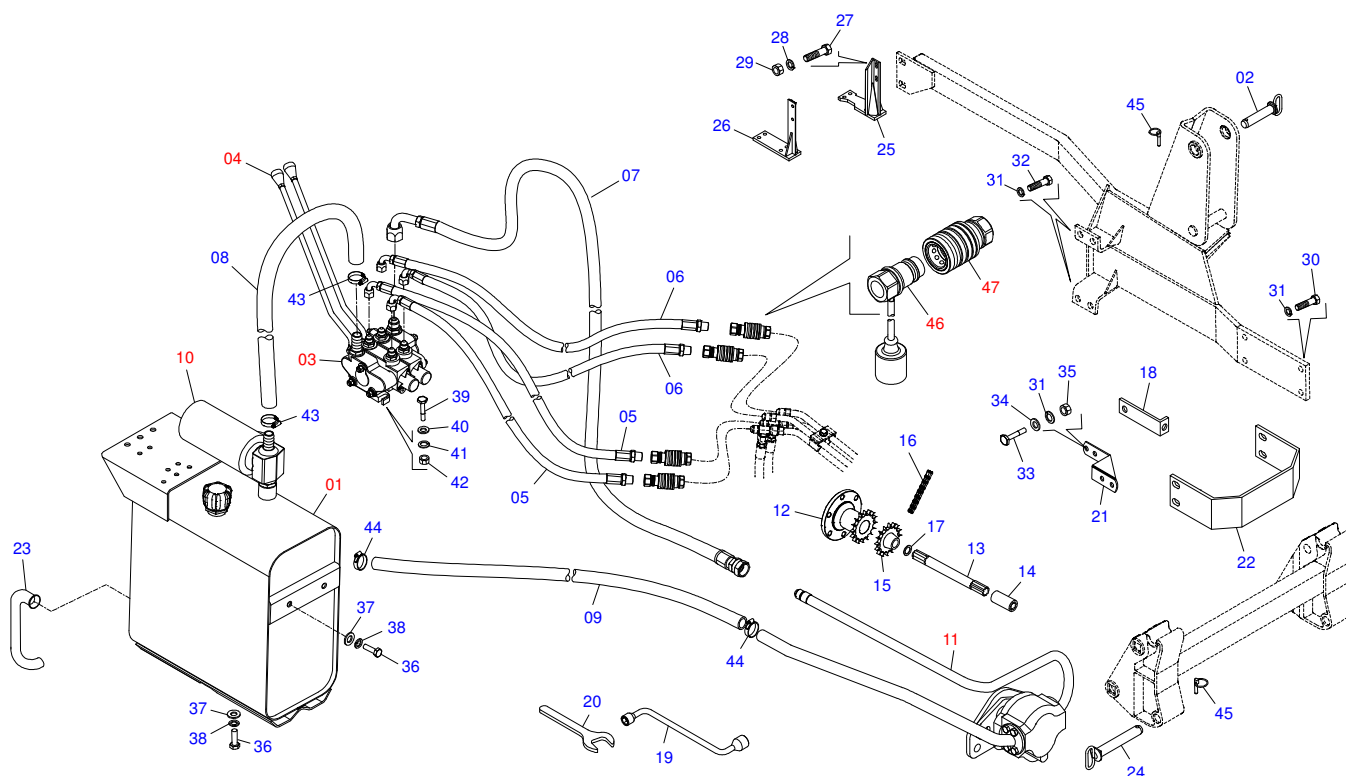
Item	Code	Description	See page	QT
01	0502012472	MOBILE TOWER		01
02	0502012473	LEFT MOBILE TOWER		01
03	0521012870	1.46" X 6.18" PIVOT SHAFT		04
04	0503010002	1800 GREASE FITTING		04
05	0511019685	FLAT WASHER		04
06	0503010534	3/8 X 2-1/2 COTTERPIN		04



Item	Code	Description	See page	QT
01	0561016401	PLOUGH SUPPORT BODY		02
02	0511013598	3/4" X 4.7" COUPLING SHAFT		02
03	0503010071	3/16" X 1" COTTERPIN		08
04	0511019634	CONTROL LOCK		02
05	0521012823	COUPLING SHAFT		02
06	0511017302	FLAT WASHER		08
07	0561016329	LATCH HOLDER REST PCA		04
08	0561016619	COMPLEMENTON REST		02
09	0503014378	1/2" X 1-1/2" BOLT		02



Item	Code	Description	See page	QT
01	0501069861	INNER OIL TUBE		01
02	0501069860	OUTER OIL TUBE		01
03	0501053835	FEMALE QUICK COUPLER	16	04
04	0503011968	T ADAPTOR WITH GIRAT		02
05	0511057974	44,45 X 85,72 X 870 X 593 HYDRAULIC CYLINDER	14	02
06	0501080150	TR-TC HOSE ASSY		02
07	0501080105	TR-TR HOSE ASSY		01
08	0501080766	3/8" X 27.56" TC-TC HOSE		01
09	0511057772	SECURITY VALVE SET		04
10	0501069858	LH RIGHT OIL TUBE		01
11	0501069857	RIGHT RIGHT OIL TUBE		01
12	0511057973	HIDRAULIC CYLINDER 44,45 X 76,20 X 820 X 551	13	02
13	0501080777	LH 3/8" X 25.9" TC-TC HOSE		02
14	0501080688	3/8" X 25" TC-TC 90G HOSE		02
15	0511019876	1/2" NIPPLE		04

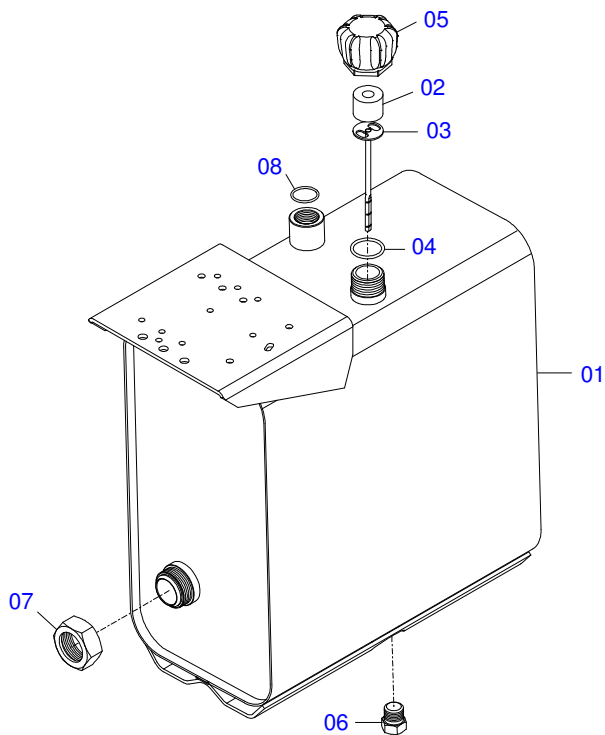


Item	Code	Description	See page	QT
01	0501047808	OIL RESERVOIR ASSY	8	01
02	0511064410	1.5" X 8.1" COUPLING SHAFT		02
03	0501041627	1/2" DOUBLE COMMAND	11	01
04	0501047852	COMPLETE CONTROLLER		02
05	0501080619	3/8 X 1250 TC-TM HOSE		02
06	0501080620	3/8 X 1300 TC-TM HOSE		02
07	0501080200	3/4 X 1600 TR-TC HOSE		01
08	0501013822	1" X 25.6" AB-AB HOSE		01
09	0501018431	1.1/4 X 950 AB-AB HOSE		01
10	0501041108	RETURNING FILTER ASSY	9	01
11	0501044573	FULL PUMP WITH PIPELINES - F5600/6630	10	01
12	0503050061	GEAR BUSHING WHEEL FLANGE		01
13	0501057538	280 X 7/8 UNC X 1.1/8-30G SHAFT WITH RING		01
14	0503030838	1-1/8" X 2.4" SLEEVE		01
15	0503050075	GEAR 16Z		01
16	0503010455	50-2 CHAIN X 15 LINK + MENDING		01
17	0501010890	FLANGE WASHER		01
18	0511014494	REDLIGHT SUPPORT		02
19	0501068213	5/8" WRENCH DOUBLE		01
20	0511010153	2-5/16" FIXED WRENCH		01
21	0511064867	BATTERY FIXER L		01
22	0521014437	SHT FROM PROTETION		01
23	0501069690	TANK SUCTION TUBE		01
24	0521066515	37,20 X 240 ARTICULATION SHAFT WITH HANDLE		02
25	0511064860	LEFT SUPPORT FRAME - PCA NH7630-4 S100		01
26	0511064859	SUPPORT CHASSIS RIGHT - PCA NH7630-4 S10		01
27	0501010100	5/8 UNC X 2 C S G.5 BOLT		04
28	0503010027	SPRING WASHER		04
29	0503010013	5/8" NUT		04
30	0503013110	M20 X 2,5 X 50 BOLT		08
31	0503010023	SPRING WASHER		08

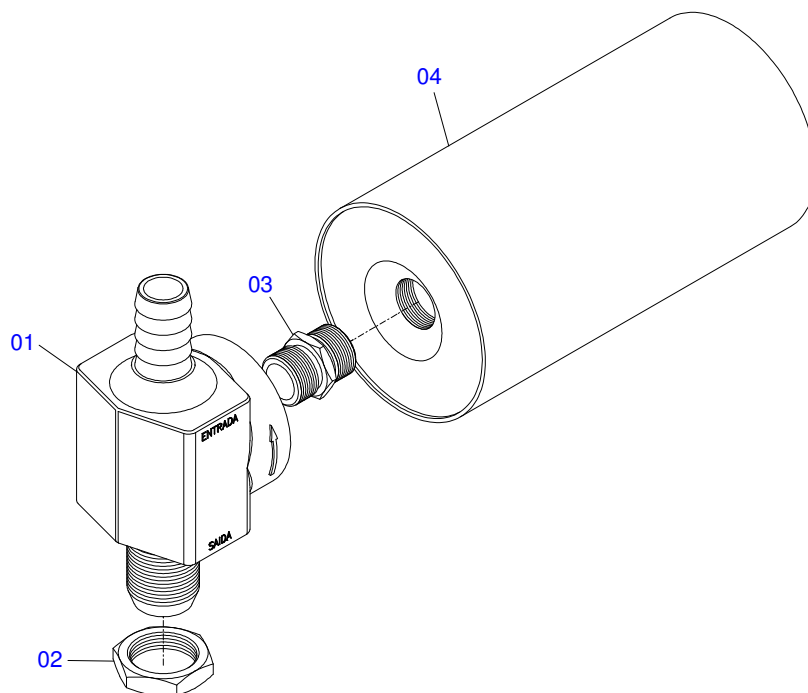


Item	Code	Description	See page	QT
32	0503013174	M20 X 2,5 X 40 C S 10.9 ZN BOLT		08
33	0501010098	HEX BOLT 3/4 UNC X 2 C S G.5 ZN		04
34	0501010322	FLAT WASHER		04
35	0503010014	3/4" NUT		04
36	0501010161	1/2" X 1.1/4" BOLT		04
37	0511017302	FLAT WASHER		04
38	0503010019	1/2" SPRING WASHER		04
39	0501010080	3/8" BOLT		03
40	0501010984	FLAT WASHER		03
41	0503010025	3/8 SPRING WASHER		03
42	0503010026	3/8" NUT		03
43	0503010184	CLAMP		02
44	0503010243	CLAMP		02
45	0503030430	7/16 X 2" PIN LOCK		04
46	0501053834	MALE QUICK COUPLING AGRICULTURAL WITH COVER - 1/2 NPT	15	04
47	0501053835	FEMALE QUICK COUPLER	16	04

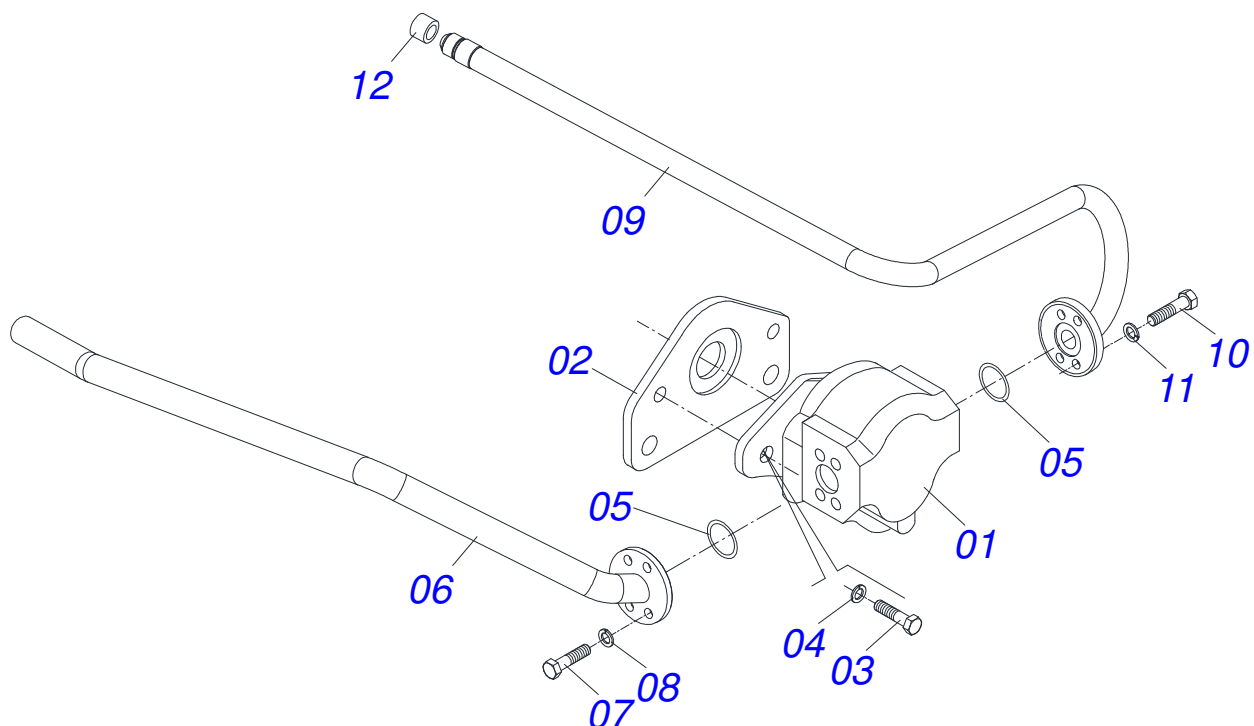
OIL RESERVOIR ASSY



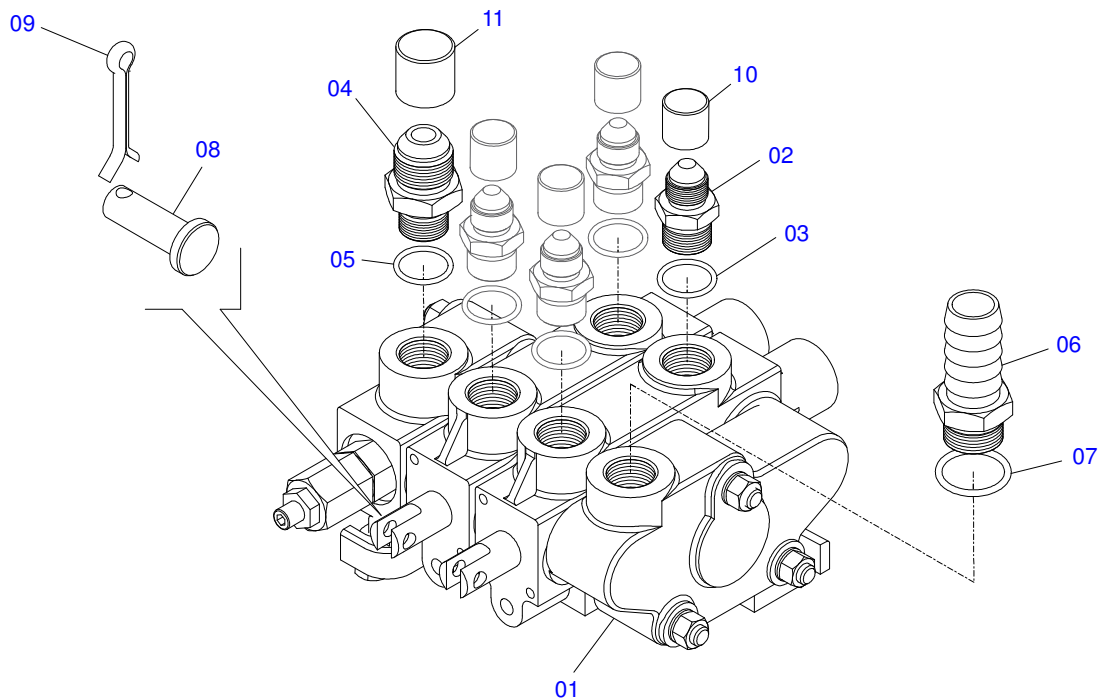
Item	Code	Description	See page	QT
01	0501068882	OIL RESERVOIR		01
02	0503030044	FILTERING ELEMENT		01
03	0501060975	OIL GAGE		01
04	0503010185	2-221 N 3006-9B O'RING		01
05	0502020472	FRONTAL COVER		01
06	0503031604	1/2" BSP PLUG		01
07	0501016309	2" 1X 2.5/16" NUT		01
08	0503010046	2-216 N 3006-9B O'RING		01



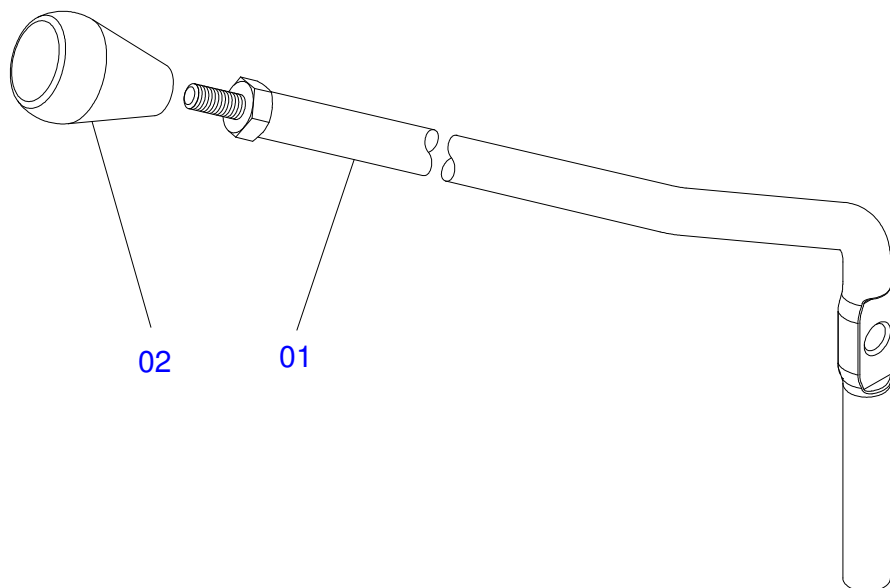
Item	Code	Description	See page	QT
01	0502050002	RETURNING FILTER HEAD		01
02	0501010594	1" NUT		01
03	0501010595	1" NF NIPPLE		01
04	0503010183	RETURNING FILTER		01



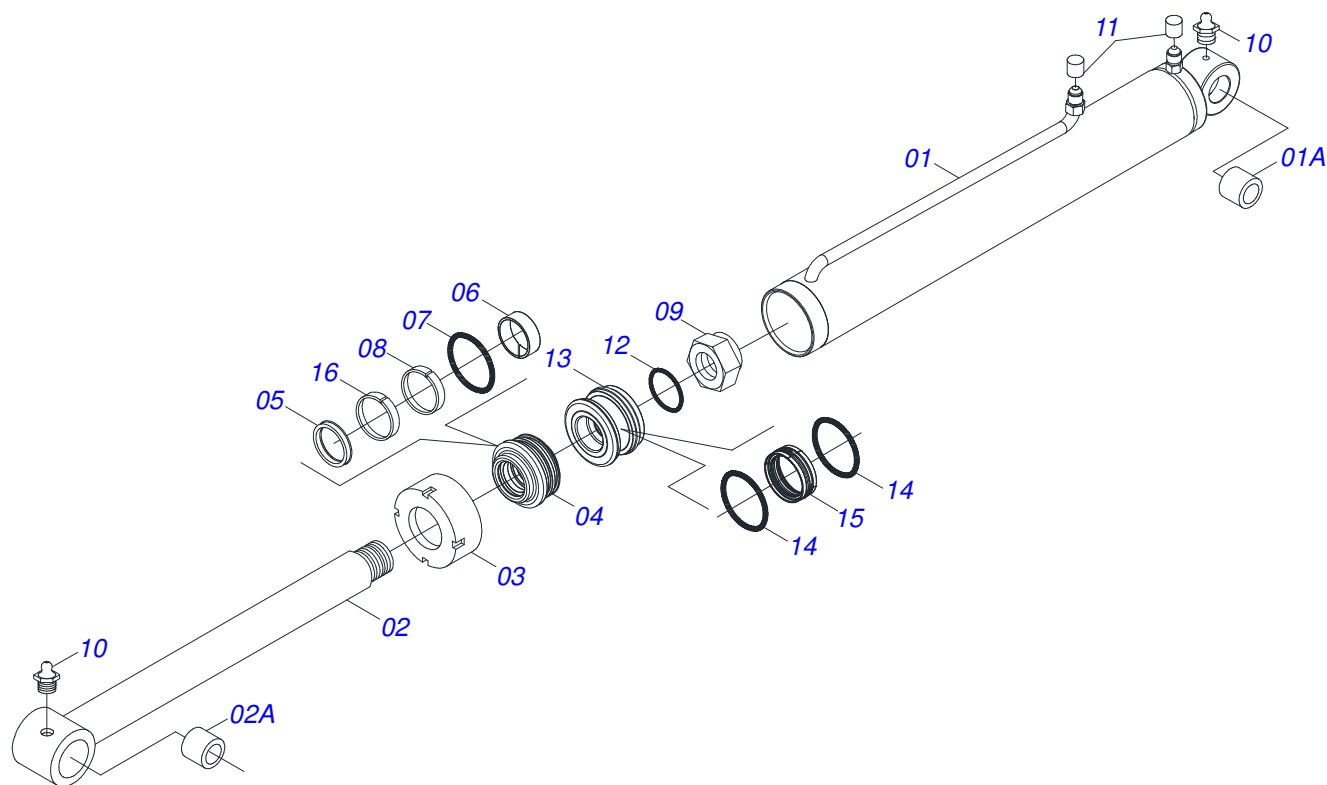
Item	Code	Description	See page	QT
001	0503061770	PUMP WITH TUBE		01
002	0502020097	PUMP SUPPORT		01
003	0501010063	1/2" X 1-1/2" BOLT		02
004	0503010019	1/2" SPRING WASHER		02
005	0503010173	2-220 N 3006-9B O'RING		02
006	0501062490	PUMP SUCTION DUCT - F 5600/6600/6610		01
007	0503010355	7/16" X 1" BOLT		04
008	0503010180	7/16" SPRING WASHER		04
009	0501062491	PUMP PRESSURE DUCT SHT		01
010	0503011087	3/8" X 1" BOLT		04
011	0503010025	3/8 SPRING WASHER		04
012	0503030388	PLUG N-005		01



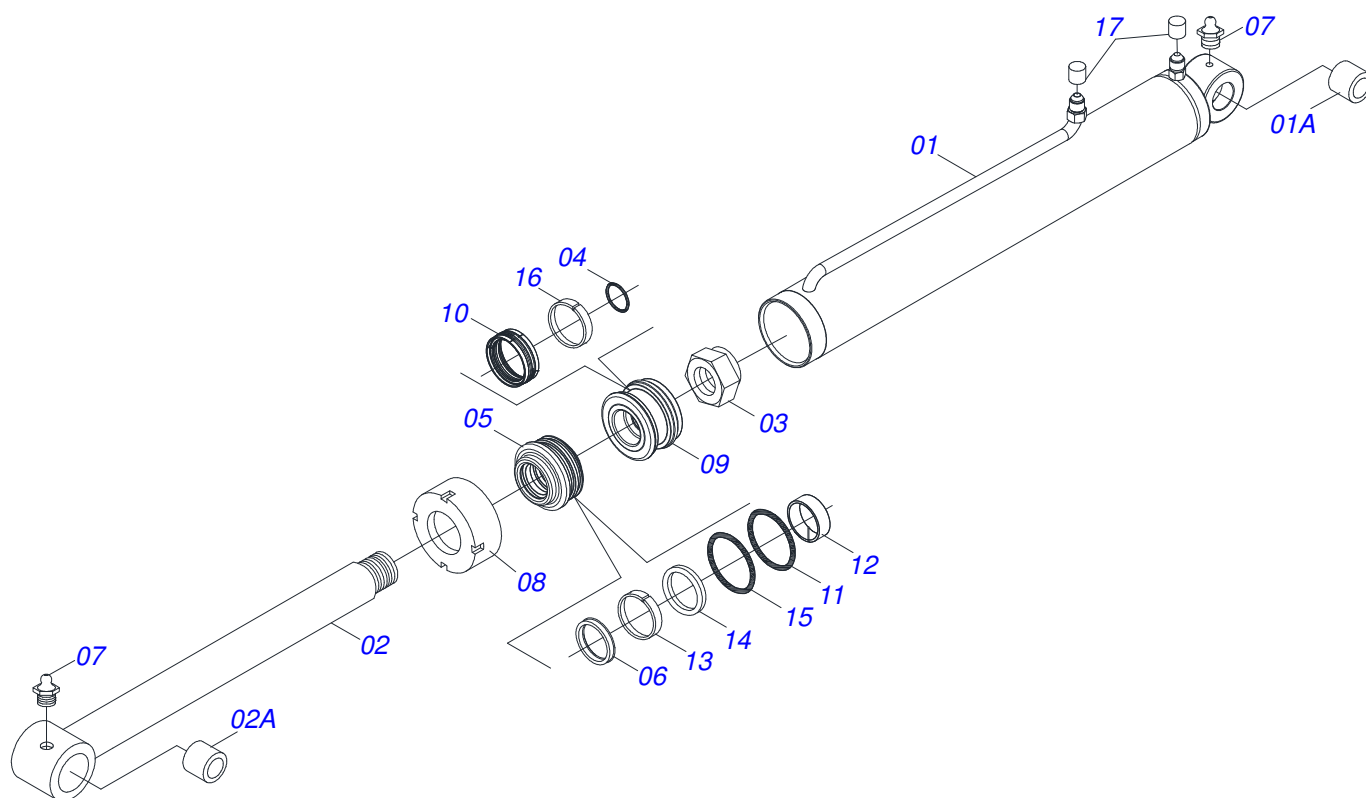
Item	Code	Description	See page	QT
01	0503060016	1/2"DOUBLE COMMAND		01
02	0511010111	7/8" NIPPLE		04
03	0503010045	2-116 N 3006-9B O'RING		04
04	0501010589	R. 1.1/16UN SEXT 1.1/4 X 52 NIPPLE		01
05	0503011109	2-119 N 3006-9B O'RING		01
06	0501010591	HOSE NIPPLE		01
07	0503011109	2-119 N 3006-9B O'RING		01
08	0521010533	0.3" X 1" COUPLING SHAFT		02
09	0503010140	1/8" X 3/4" COTTERPIN		02
10	0503030385	CYLINDER PLUG N-002		04
11	0503030388	PLUG N-005		01



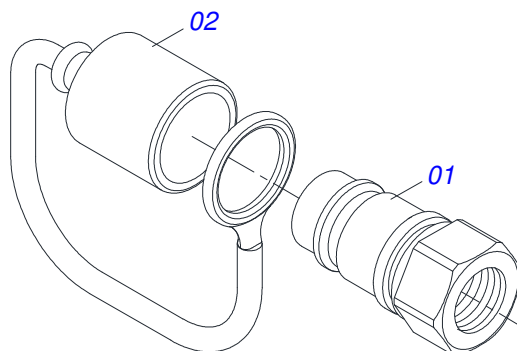
Item	Code	Description	See page	QT
01	0501047446	CONTROL VALVE (P/COM 1/2 PCA)	12	02
02	0503030878	LEVER CRANK		02



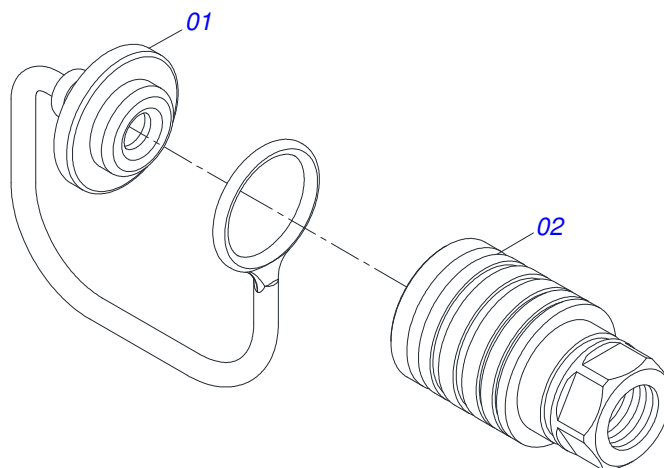
Item	Code	Description	See page	QT
01	0521066381	CYLINDER CASE 76,20 X 723		01
01A	0521010514	38,1 X 52,9 X 50 SLEEVE INTER		01
02	0511065578	1.7" X 28.18" TURNBUCLE		01
02A	0521010514	38,1 X 52,9 X 50 SLEEVE INTER		01
03	0502011899	MOBILE COVER		01
04	0502012264	RING SUPPORT 1.75" X 3"		01
05	0503010761	D-1750 SCRAPER RING		01
06	0503010949	W2-2000-500 PK RING G.E		01
07	0503010343	2-334 N 3006-9B O'RING		01
08	0503011059	8-334 BACK-UP RING		01
09	0503010063	1" SELF-ALIGNING NUT		01
10	0503010002	1800 GREASE FITTING		02
11	0503030385	CYLINDER PLUG N-002		02
12	0503010042	2-214 N 3006-9B O'RING		01
13	0581010304	PISTON		01
14	0503018138	RING BS		02
15	0503018140	RING GUIDE		01
16	0503017937	GASKET		01



Item	Code	Description	See page	QT
01	0511069198	BODY SHIRT WITH MAKING		01
01A	0521010514	38,1 X 52,9 X 50 SLEEVE INTER		01
02	0521066404	44,45 X 772 TURNBUCKLE		01
02A	0521010514	38,1 X 52,9 X 50 SLEEVE INTER		01
03	0503010063	1" SELF-ALIGNING NUT		01
04	0503010042	2-214 N 3006-9B O'RING		01
05	0571019711	RING SUPPORT		01
06	0503010761	D-1750 SCRAPER RING		01
07	0503010002	1800 GREASE FITTING		02
08	0571019709	DETACHABLE COVER		01
09	0571019710	1.7" X 3.4" PISTON		01
10	0503017935	RING		01
11	0503017936	RING		01
12	0503017938	RING GUIDE		01
13	0503017937	GASKET		01
14	0503017940	8-337 BACK-UP RING		02
15	0503017939	2-337 N 3006-9B O' RING		02
16	0503018144	RING		01
17	0503030385	CYLINDER PLUG N-002		02



Item	Code	Description	See page	QT
01	0503011627	QUICK CONNECTION (MALE) AGR 1/2 NPT		01
02	0503011882	QUICK CONNECTION COVER		01



Item	Code	Description	See page	QT
01	0503011883	QUICK CONNECTION COVER		01
02	0503011628	FEMALE QUICK COUPLER		01



MARCHESAN IMPLEMENTOS E MÁQUINAS AGRÍCOLAS TATU S.A.

AV. Marchesan, 1979 - Post office box, 131 - CEP 15994-900 - Matão - SP - Brazil

Phone +55 16.3382-8282

(FAX Parts) + 55 16.3382. 8297 - (Export) + 55 16.3382.1003

e.mail: tatu@marchesan.com.br www.marchesan.com.br

Technical Publications: Elaboration

JOÃO VIRGINIO ROCHA

Technical Publications: Revision

JOSÉ DOMINGOS GASPARI

Contact Catálogo:

E-mail = jgaspari@marchesan.com.br

**ORIGINAL PARTS
TATU**

