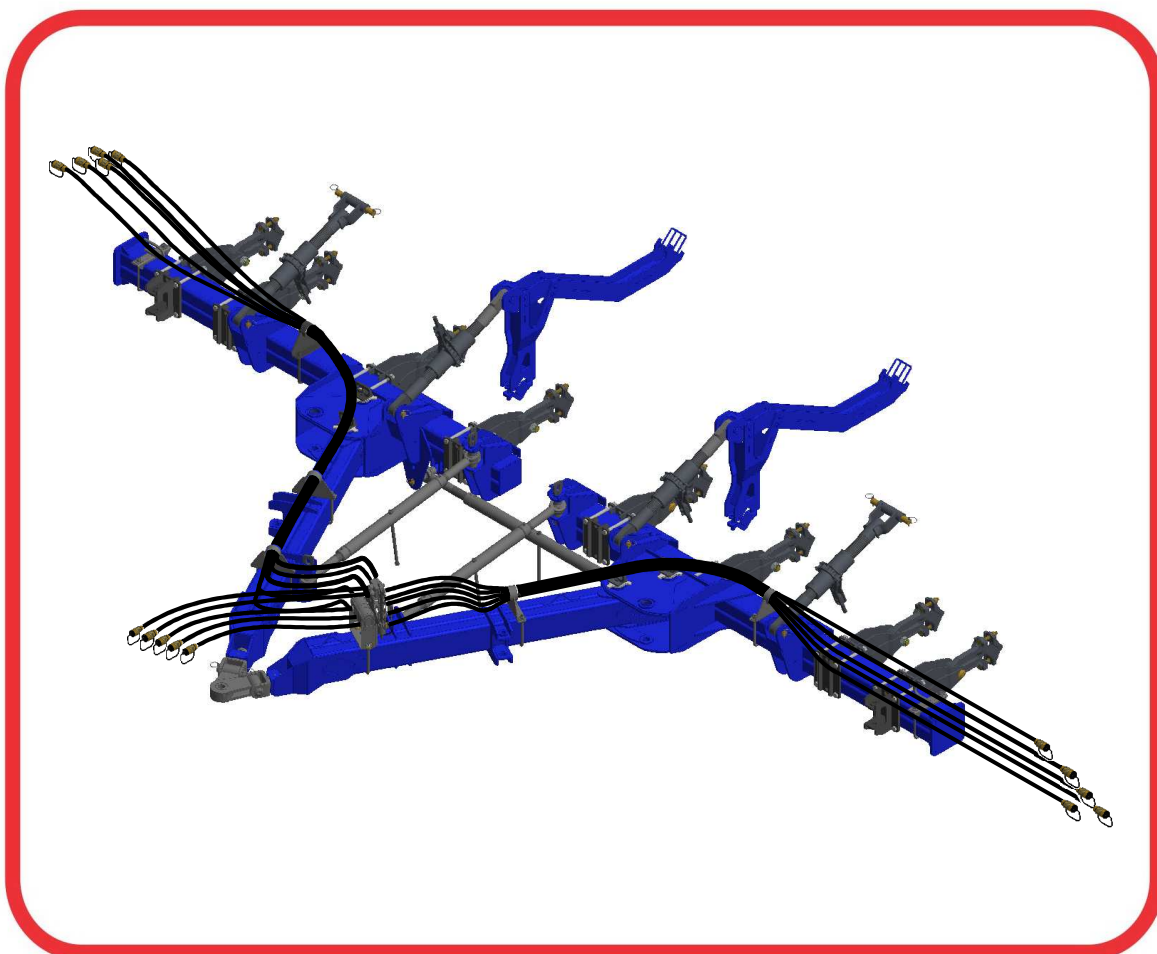


PARTS CATALOG

DOUBLE HEADING

DOUBLE HEAD WITHOUT WHEEL PST4 / FLEX / ULTRA P

Code: 0501092215



Series: S-0116

Rev.: 00

Date Rev.: JUNHO/2018

ORIGINAL PARTS
TATU



PRODUCTS

Code	Description
0521046294	CAB DUP S/ROD PST4/FLEX 4495 MH S-0116
0521047511	CAB DUPLO S/ROD ULTR P 4845/11E450 MH PM400 S-0116

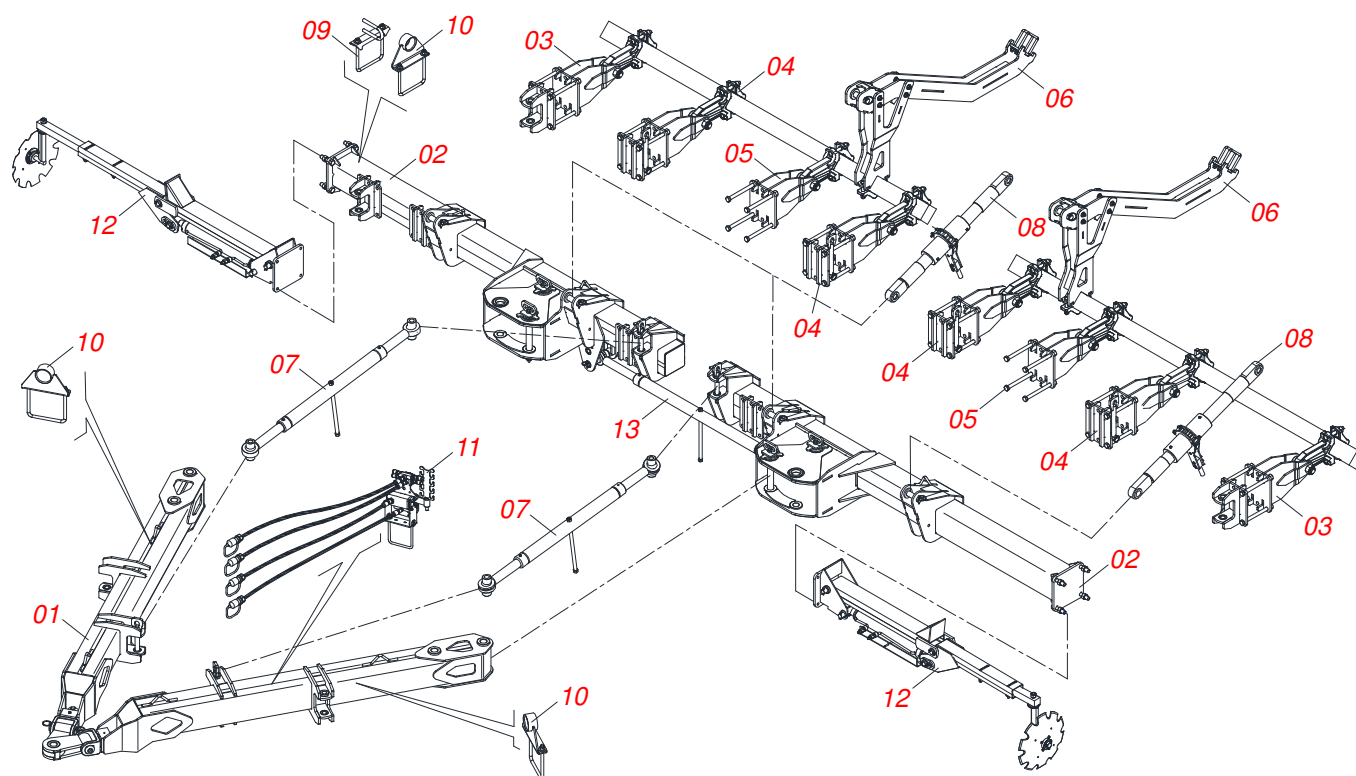
ATTENTION: **IMPORTANT**

MARCHESAN S/A RESERVES THE RIGHT AT ANY TIME TO MAKE IMPROVEMENTS IN THE DESIGN, MATERIAL OR SPECIFICATIONS OF MACHINERY, EQUIPMENT OR PARTS WITHOUT THEREBY BECOMING LIABLE TO MAKE SIMILAR CHANGES IN MACHINERY, EQUIPMENT OR PARTS PREVIOUSLY SOLD.

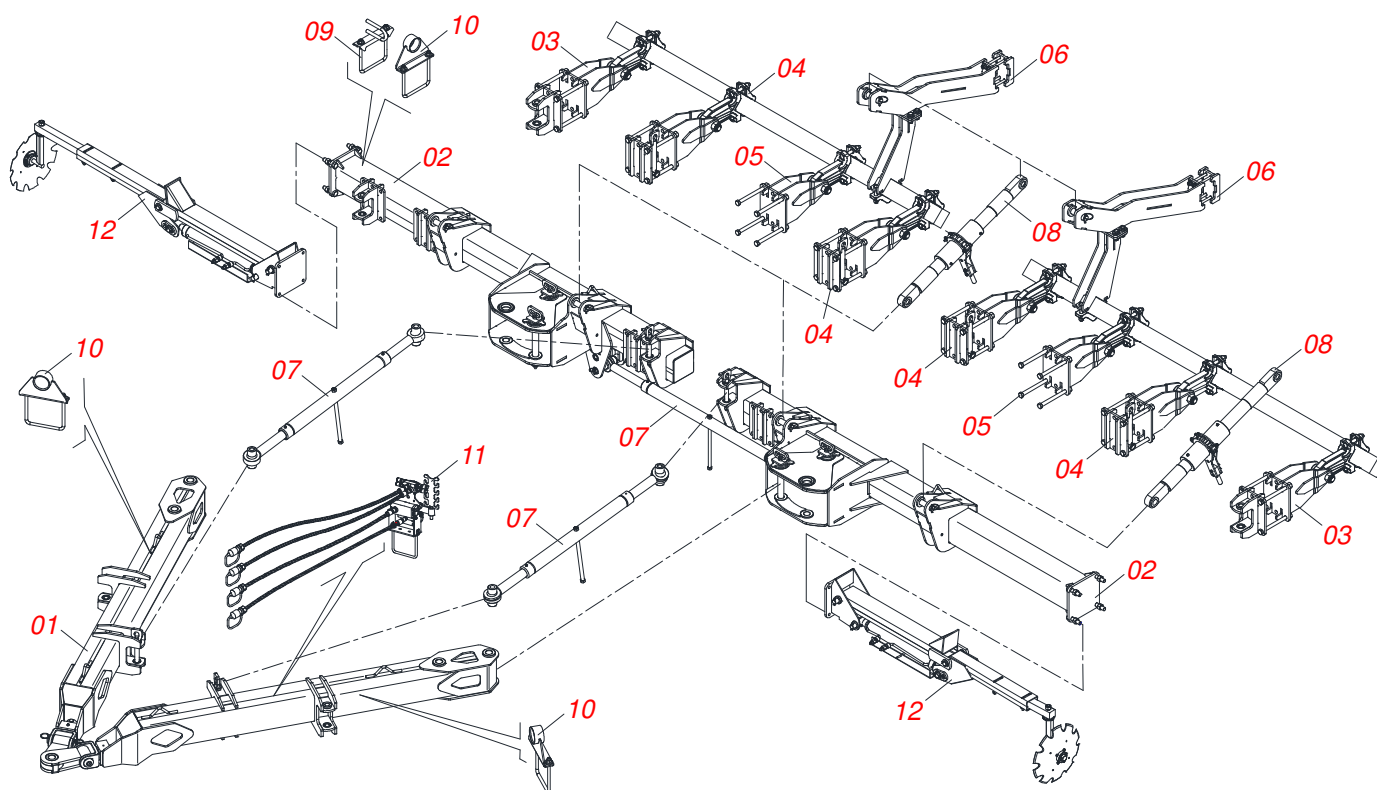
INDEX

0909094117	DOUBLE DRAWBAR	1
0909094118	DOUBLE DRAW FRAME ULTRA	2
0909094121	3 POINT TURNBUCKLE	3
0521051554	AXLE HITCH	4
0909094120	LEFT ARM/RIGHT	5
0909094119	SIDE BAR RIGHT / LEFT	6
0511056708	ROW MARKER SET	7
0511049576	ROW MARKER SET	8
0511058553	HYDRAULIC CYLINDER	9
0511042494	ROW MARKER DISC ASSY	10
0511058227	HYDRAULIC CYLINDER 38,10 X 63,50 X 608 X 290 USAP	11
0909094116	SYSTEM HYDRAULIC	12
0909093993	HYDRAULIC CIRCUIT TURBINA	13
0909093994	HYDRAULIC CIRCUIT LEVANTE	14
0909093995	HYDRAULIC CIRCUIT ROW MARKER	15
0909093936	SUPPORT SET	16
0511055979	FLOW DIVIDING VALVE	17
0501054649	SEQUENTIAL VALVE ASSY	18
0511057292	COMPLET FLOW REGULATION VALVE	19

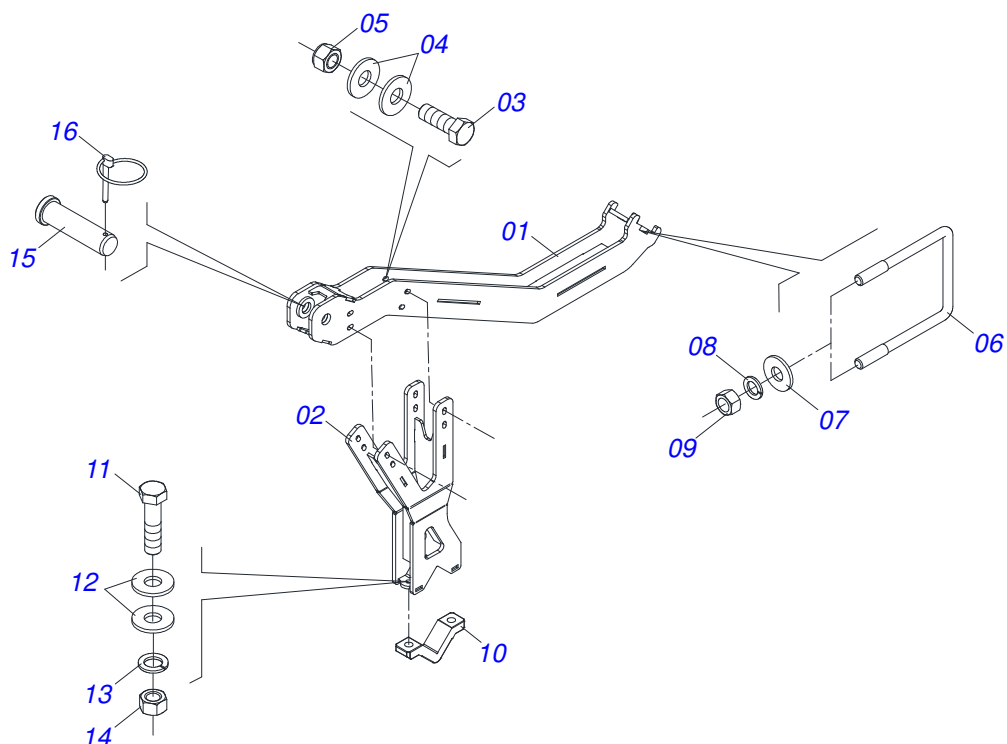
DOUBLE DRAWBAR



Item	Code	Description	QT
01	0909094120	LEFT ARM/RIGHT	01
02	0909094119	SIDE BAR RIGHT / LEFT	01
03	0909093914	DRAWBAR SUPPORT FRONT FIXATION	02
04	0909093915	DRAWBAR SUPPORT FRONT FIXATION	04
05	0909093916	SUPPORT FRONT FIXER	02
06	0909094121	3 POINT TURNBUCKLE	02
07	0511058987	TURNBUCKLE	02
08	0511057119	AIR TURNBUCKLE	04
09	0511057447	TENSIONER ASSY	02
10	0511057448	TRANSPORT SUPPORT ASSY	06
11	0909094116	SYSTEM HYDRAULIC	01
12	0511056708	ROW MARKER SET	01
13	0511057134	2" X 1140 TURNBUCKLE	01

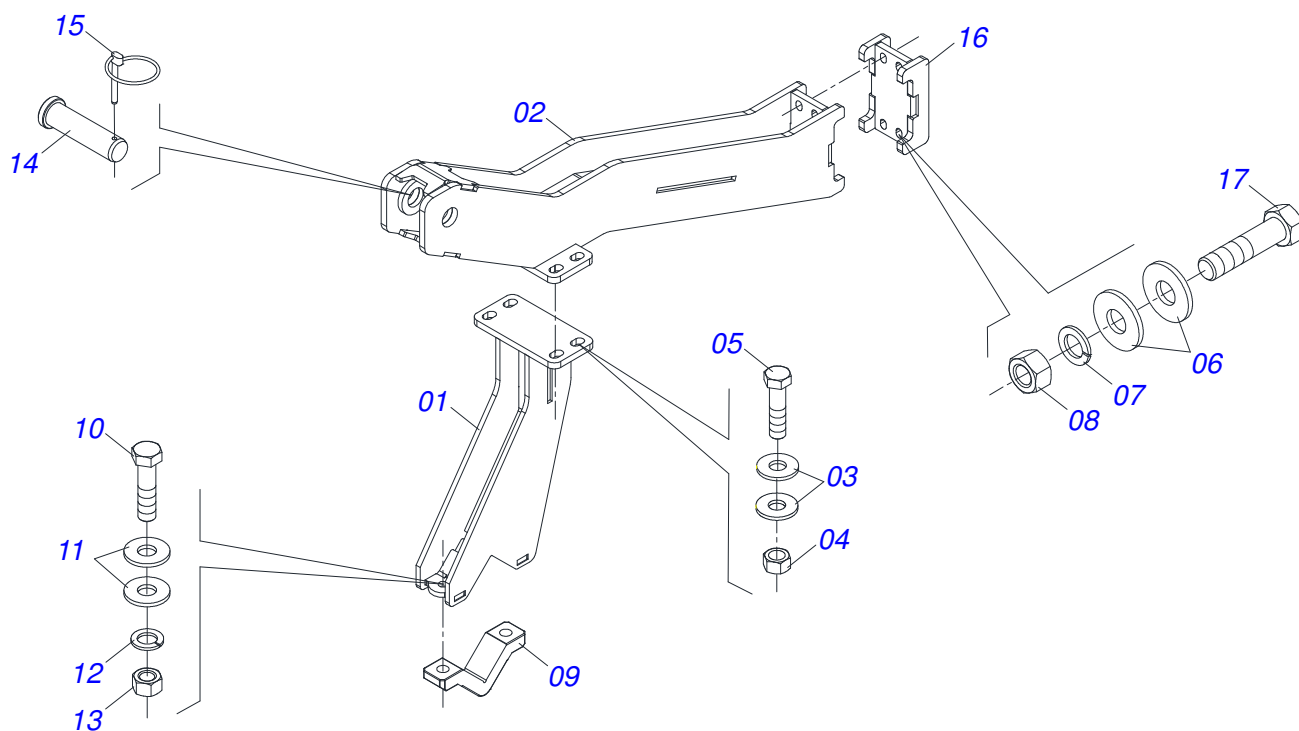


Item	Code	Description	QT
01	0909094120	LEFT ARM/RIGHT	01
02	0909094119	SIDE BAR RIGHT / LEFT	01
03	0909093914	DRAWBAR SUPPORT FRONT FIXATION	02
04	0909093915	DRAWBAR SUPPORT FRONT FIXATION	04
05	0909093916	SUPPORT FRONT FIXER	02
06	0521051554	AXLE HITCH	02
07	0511057134	2" X 1140 TURNBUCKLE	03
08	0511057119	AIR TURNBUCKLE	04
09	0511057447	TENSIONER ASSY	02
10	0511057448	TRANSPORT SUPPORT ASSY	06
11	0909094116	SYSTEM HYDRAULIC	01
12	0511050186	ROW MARK ASSY	01

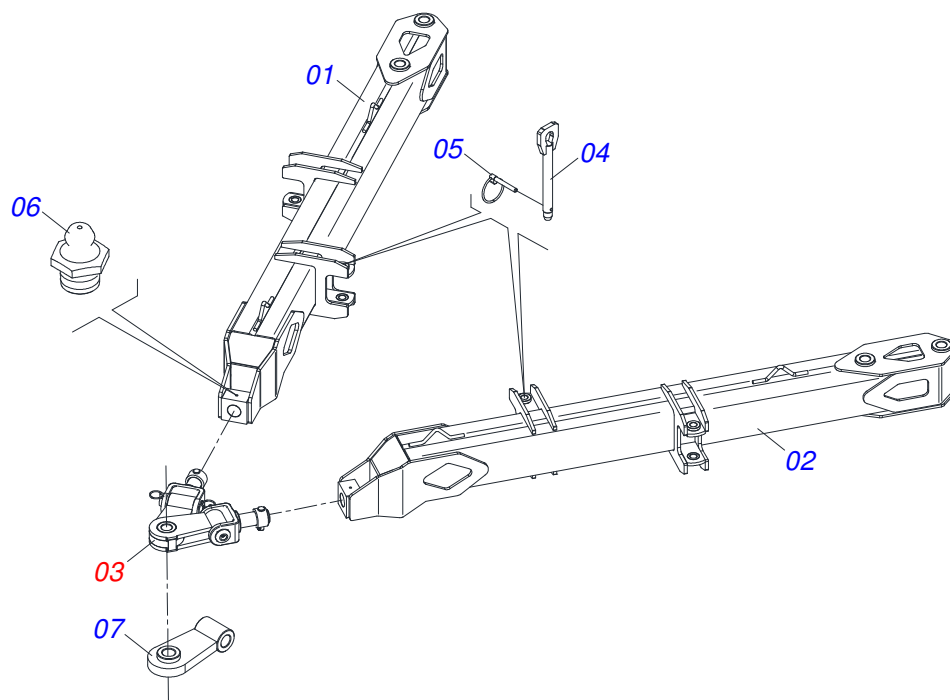


Item	Code	Description	QT
01	0521066879	SUPPORT FIXATION	01
02	0521066881	TOWER SUPPORT HOPPER	01
03	0501019219	1/2" X 1-3/4" BOLT	16
04	0501013519	FLAT WASHER	16
05	0503011336	1/2" HEX SELF ADJUSTING NUT	16
06	0521014021	1/2" X 4.5" X 5.4" FASTENER	02
07	0511017302	FLAT WASHER	08
08	0503010019	1/2" SPRING WASHER	08
09	0503010060	1/2" NUT	08
10	1902010175	HITCH CLAMP	01
11	0501011543	5/8" X 4" BOLT	02
12	0501011299	FLAT WASHER	04
13	0503010027	SPRING WASHER	02
14	0503010013	5/8" NUT	02
15	0571012334	COUPLING SHAFT	02
16	0503030119	LOCK PIN	02

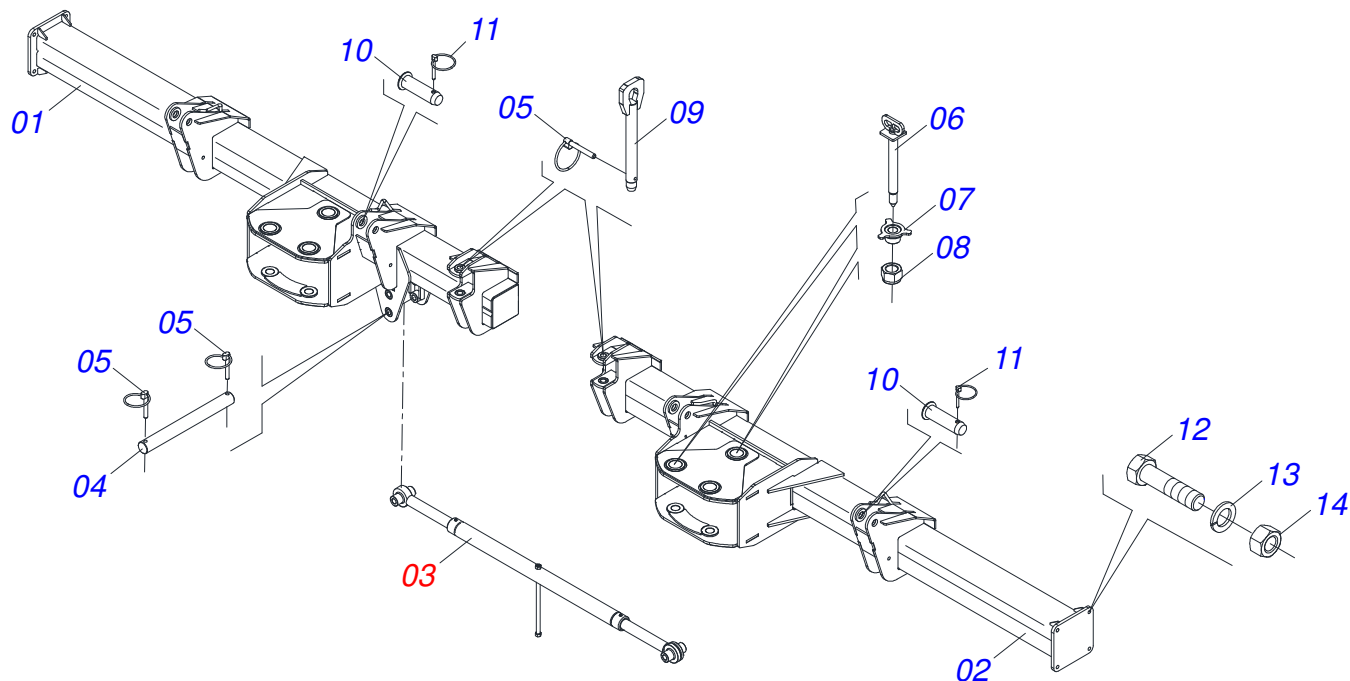
AXLE HITCH



Item	Code	Description	QT
001	0521068062	ARM SUPPORT	01
002	0521068063	FIXER ARM	01
003	0501012140	FLAT WASHER	08
004	0503012412	HEX SELF ADJUSTING NUT 5/8 UNC S	04
005	0501010100	5/8 UNC X 2 C S G.5 BOLT	04
006	0511017302	FLAT WASHER	08
007	0503010019	1/2" SPRING WASHER	04
008	0503010060	1/2" NUT	04
009	1902010175	HITCH CLAMP	01
010	0501011543	5/8" X 4" BOLT	02
011	0501011299	FLAT WASHER	02
012	0503010013	5/8" NUT	02
013	0503010027	SPRING WASHER	02
014	0571012334	COUPLING SHAFT	01
015	0503030119	LOCK PIN	01
016	0521068064	FASTENER	01
017	0503016023	1/2 X 6 BOLT	04

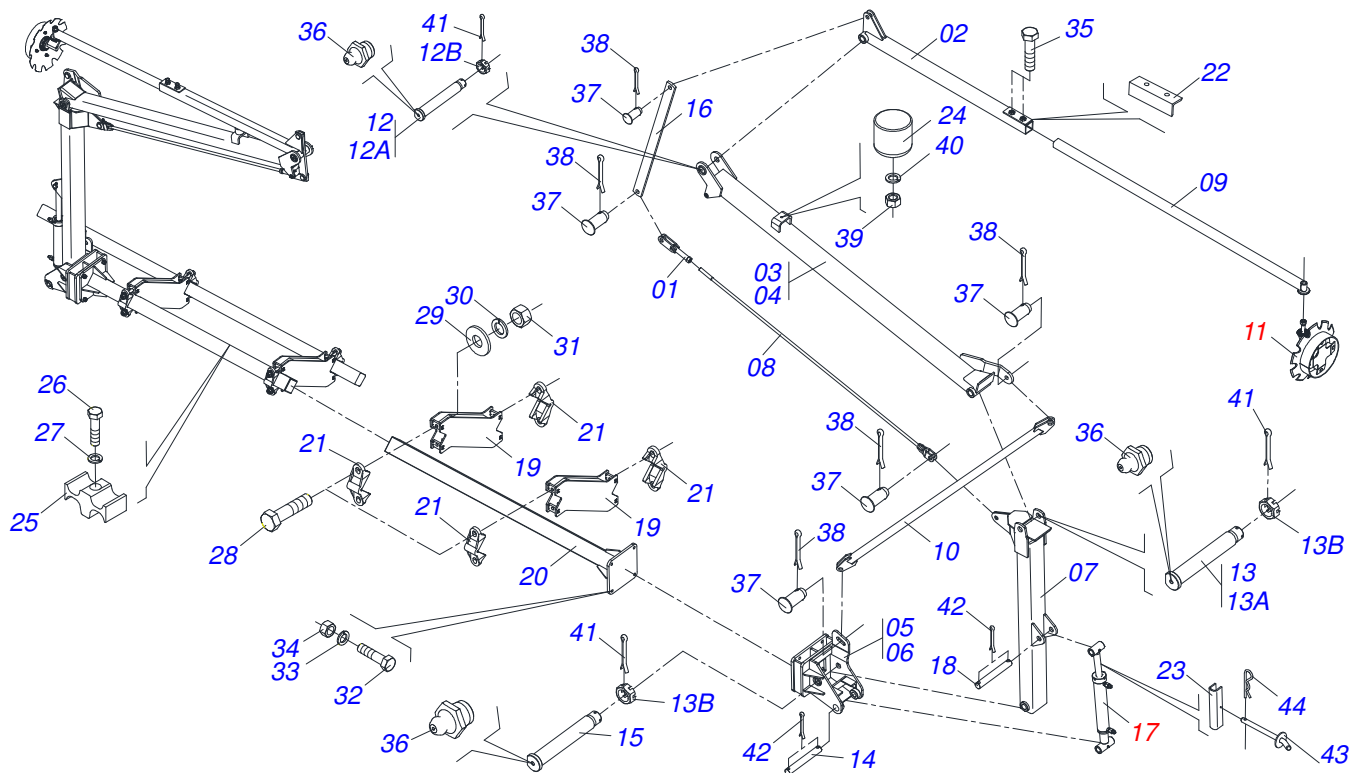


Item	Code	Description	10	11	L
01	0521066877	RH ARM	01	00	
01.	0521067315	RH ARM	00	01	
02	0521066878	LH ARM	01	00	
02.	0521067316	LH ARM	00	01	
03	0521052057	HITCH SET	01	01	
04	0521065089	LOCK AXLE	01	01	
05	0503030085	LOCK PIN	01	01	
06	0503010002	1800 GREASE FITTING	02	02	
07	0521066073	HITCH	01	01	



Item	Code	Description	10 11 L
01	0521066875	SIDE BAR RIGHT	01 00
01.	0521068055	SIDE BAR RIGHT	00 01
02	0521066876	SIDE BAR LEFT	01 00
02.	0521068056	SIDE BAR LEFT	00 01
03	0511057134	2" X 1140 TURNBUCKLE	01 01
04	0571018616	COUPLING SHAFT	02 02
05	0503030085	LOCK PIN	06 06
06	0521065874	BOLT FIXER	04 04
07	0521065910	GUIDE DRAWBAR ASSY	04 04
08	0503010817	1-1/4" SELF-ADJUSTING NUT	04 04
09	0521065089	LOCK AXLE	02 02
10	0571012334	COUPLING SHAFT	04 04
11	0503030119	LOCK PIN	04 04
12	0503011243	5/8" X 2" BOLT	08 08
13	0503010027	SPRING WASHER	08 08
14	0503010013	5/8" NUT	08 08

ROW MARKER SET



Item	Code	Description	QT
001	0511065487	REGULATOR SPINDLE	02
002	0511065484	ROW MARK ARM	02
003	0511065480	RIGHT INTERMEDIATE ARM	01
004	0511065481	LEFT INTERMEDIATE ARM	01
005	0521062492	RIGHT SUPPORT SMALLER	01
006	0521062493	LEFT SUPPORT	01
007	0511065479	BEFORE ARM (ROW MARKER)	02
008	0511065475	ADJUSTMENT ROD	02
009	0511065477	2000 TURNBUCKLE	02
010	0511065476	LARGER LEVER	02
011	0511042494	ROW MARKER DISC ASSY	02
012	0511056753	PIVOT SHAFT	02
012A	0541012193	MARK ARM ARTICULACION ALXE	01
012B	0503011052	1.1/4" X 0.77" CASTLE NUT	01
013	0511056754	PIVOT SHAFT	02
013A	0541012194	INTERMEDIATE ARM ARTIC ALXE	01
013B	0503011052	1.1/4" X 0.77" CASTLE NUT	01
014	0511056755	PIVOT SHAFT	02
015	0541012195	ARM BEFORE ARTICULACION AXLE	02
016	0541012196	SMALLER LEVER	02
017	0511058227	HYDRAULIC CYLINDER 38,10 X 63,50 X 608 X 290	02
018	0551016251	PIVOT SHAFT	02
019	0521061778	FASTENER	04
020	0511066355	ROW MARK FIXER SUPPORT	02
021	0502010584	CARRYING-WHEELS SUPPORT FIXER	08
022	0541015917	MARK ARM GUIDE	02
023	0511017592	11.8" X 1.6" TRANSPORT LOCK	02
024	0503011070	BEATER	02
025	0502012702	BODY SUPPORT CLAMP	04
026	0503012555	7/16" X 2" BOLT	04
027	0503010180	7/16" SPRING WASHER	04
028	0503011084	3/4" X 5" BOLT	16
029	0501010322	FLAT WASHER	16

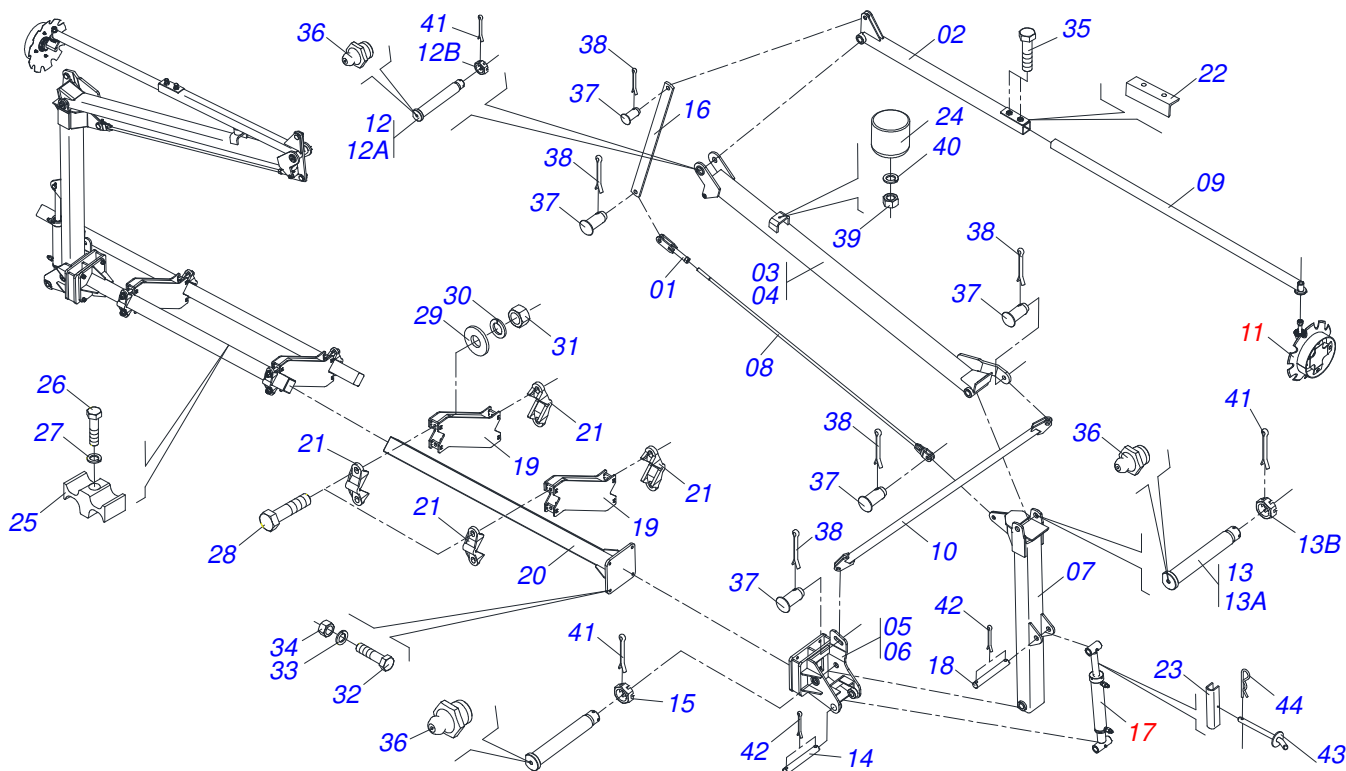


ROW MARKER SET

0511056708

Item	Code	Description	QT
030	0503010023	SPRING WASHER	16
031	0503010014	3/4" NUT	16
032	0501010100	5/8 UNC X 2 C S G.5 BOLT	08
033	0503010027	SPRING WASHER	08
034	0503010013	5/8" NUT	08
035	0503011237	3/8" X 3" BOLT	04
036	0503010002	1800 GREASE FITTING	03
037	0501014063	25 X 55 COUPLING SHAFT	08
038	0503010067	3/16" X 2.1/2" COTTER PIN	08
039	0503010060	1/2" NUT	02
040	0503010019	1/2" SPRING WASHER	02
041	0503010067	3/16" X 2.1/2" COTTER PIN	06
042	0503010010	1/4" X 2.1/2" COTTERPIN	04
043	0501068994	0.3" X 3.1"LOCK PIN	02
044	0503030168	HAIR PIN	02

ROW MARKER SET



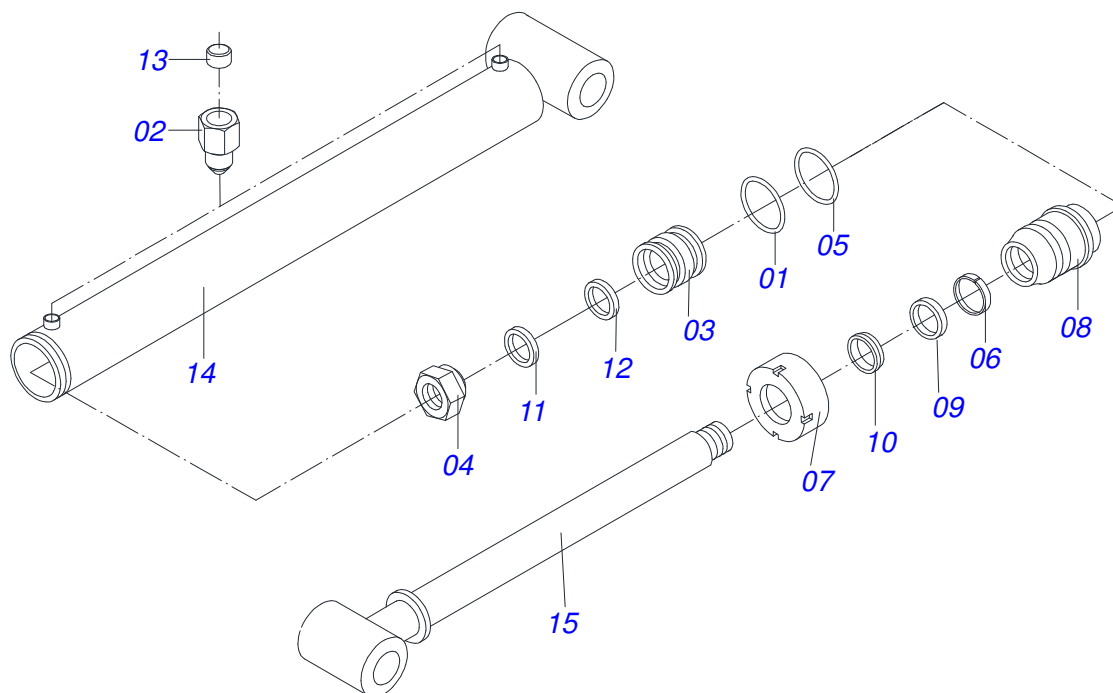
Item	Code	Description	QT
001	0511065487	REGULATOR SPINDLE	02
002	0511065484	ROW MARK ARM	02
003	0511065480	RIGHT INTERMEDIATE ARM	01
004	0511065481	LEFT INTERMEDIATE ARM	01
005	0521062492	RIGHT SUPPORT SMALLER	01
006	0521062493	LEFT SUPPORT	01
007	0511065479	BEFORE ARM (ROW MARKER)	02
008	0511065475	ADJUSTMENT ROD	02
009	0511065477	2000 TURNBUCKLE	02
010	0511065476	LARGER LEVER	02
011	0511042494	ROW MARKER DISC ASSY	02
012	0511056753	PIVOT SHAFT	02
012A	0541012193	MARK ARM ARTICULACION ALXE	01
012B	0503011052	1.1/4" X 0.77" CASTLE NUT	01
013	0511056754	PIVOT SHAFT	02
013A	0541012194	INTERMEDIATE ARM ARTIC ALXE	01
013B	0503011052	1.1/4" X 0.77" CASTLE NUT	01
014	0541015714	CYLINDER ARTICULACION ALXE	01
015	0541012195	ARM BEFORE ARTICULACION ALXE	02
016	0541012196	SMALLER LEVER	02
017	0511058227	HYDRAULIC CYLINDER 38,10 X 63,50 X 608 X 290	02
018	0551016251	PIVOT SHAFT	02
019	0521061778	FASTENER	04
020	0511066355	ROW MARK FIXER SUPPORT	02
021	0502010584	CARRYING-WHEELS SUPPORT FIXER	08
022	0541015917	MARK ARM GUIDE	02
023	0511017592	11.8" X 1.6" TRANSPORT LOCK	02
024	0503011070	BEATER	02
025	0502012702	BODY SUPPORT CLAMP	04
026	0503012555	7/16" X 2" BOLT	04
027	0503010180	7/16" SPRING WASHER	04
028	0503011084	3/4" X 5" BOLT	16
029	0501010322	FLAT WASHER	16



ROW MARKER SET

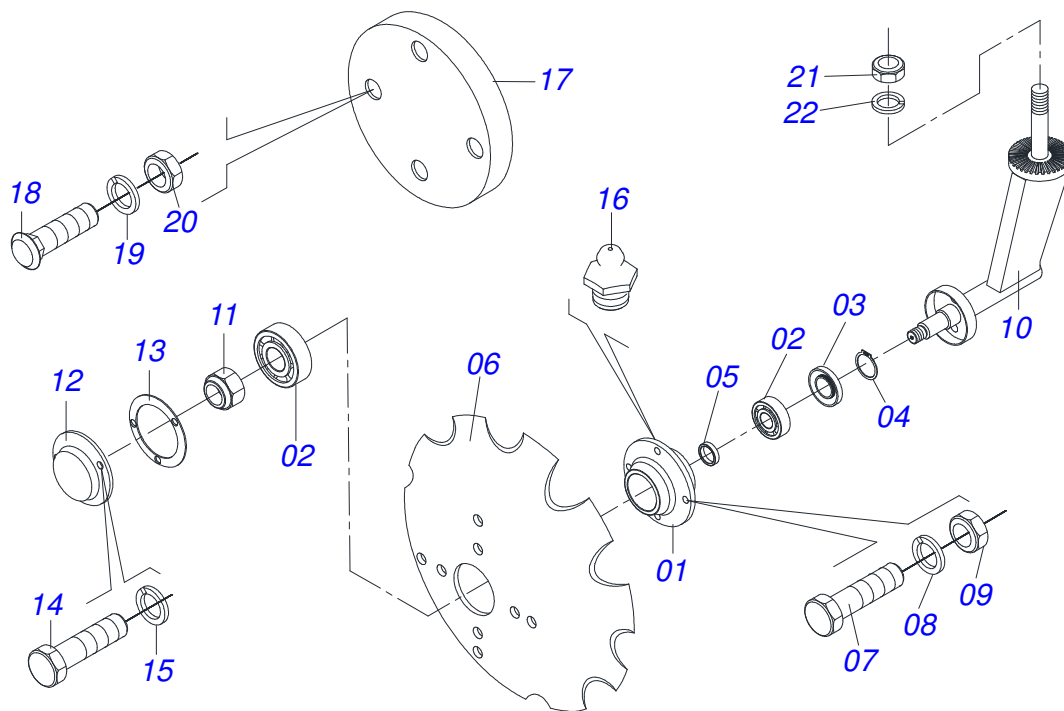
0511049576

Item	Code	Description	QT
030	0503010023	SPRING WASHER	16
031	0503010014	3/4" NUT	16
032	0501010100	5/8 UNC X 2 C S G.5 BOLT	08
033	0503010027	SPRING WASHER	08
034	0503010013	5/8" NUT	08
035	0503011267	5/8" X 1.1/2" BOLT	04
036	0503010002	1800 GREASE FITTING	03
037	0501014063	25 X 55 COUPLING SHAFT	08
038	0503010067	3/16" X 2.1/2" COTTER PIN	08
039	0503010060	1/2" NUT	02
040	0503010019	1/2" SPRING WASHER	02
041	0503010067	3/16" X 2.1/2" COTTER PIN	06
042	0503010010	1/4" X 2.1/2" COTTERPIN	04
043	0501068994	0.3" X 3.1" LOCK PIN	02
044	0503030168	HAIR PIN	02

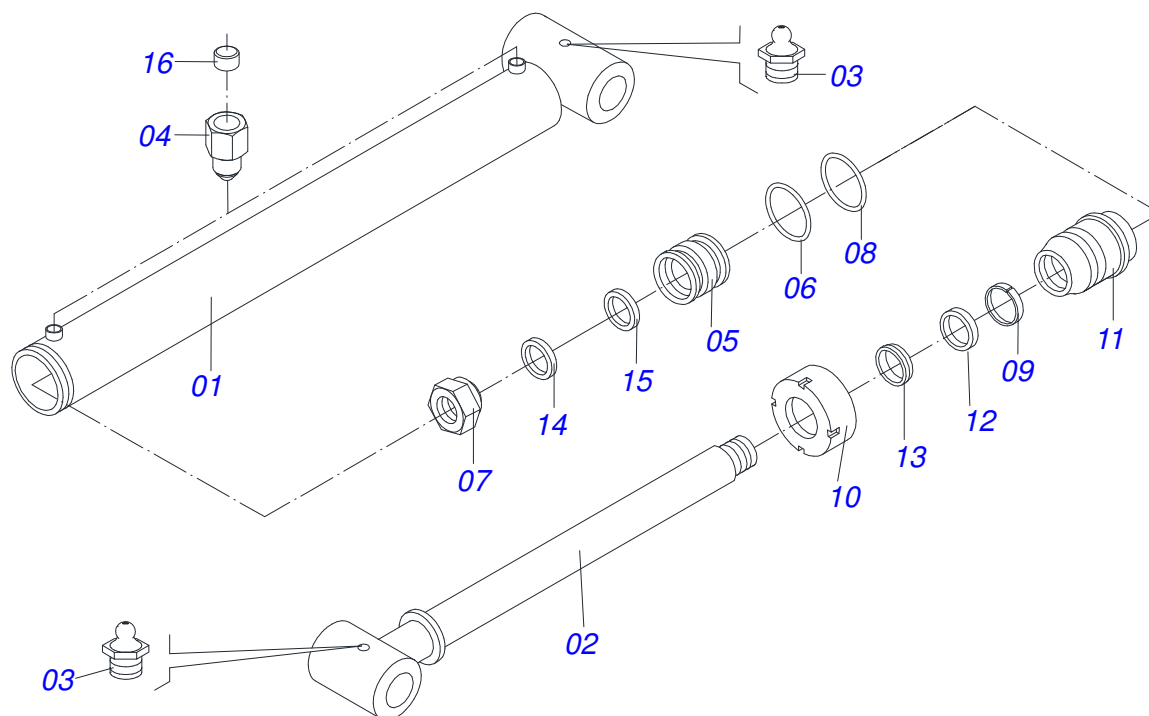


Item	Code	Description	QT
001	0503018005	RING	01
002	0551016274	HYDRAULIC CYLINDER ADAPTER	02
003	0581010669	EMBOLUS 63.50 X 40 USAP	01
004	0503010558	7/8" NUT	01
005	0503010605	O'RING	01
006	0503010163	D-1500 SCRAPER RING	01
007	0502010471	MOBILE COVER	01
008	0581010668	RING SUPPORT	01
009	0503018004	RING	01
010	0503018003	GASKET	01
011	0503018163	BACK-UP RING	02
012	0503018162	O'RING	02
013	0503030385	PLUG	02
014	0521066717	2.9" X CYLINDER CASE	01
015	0521066718	38,10 X TURNBUCKLE	01

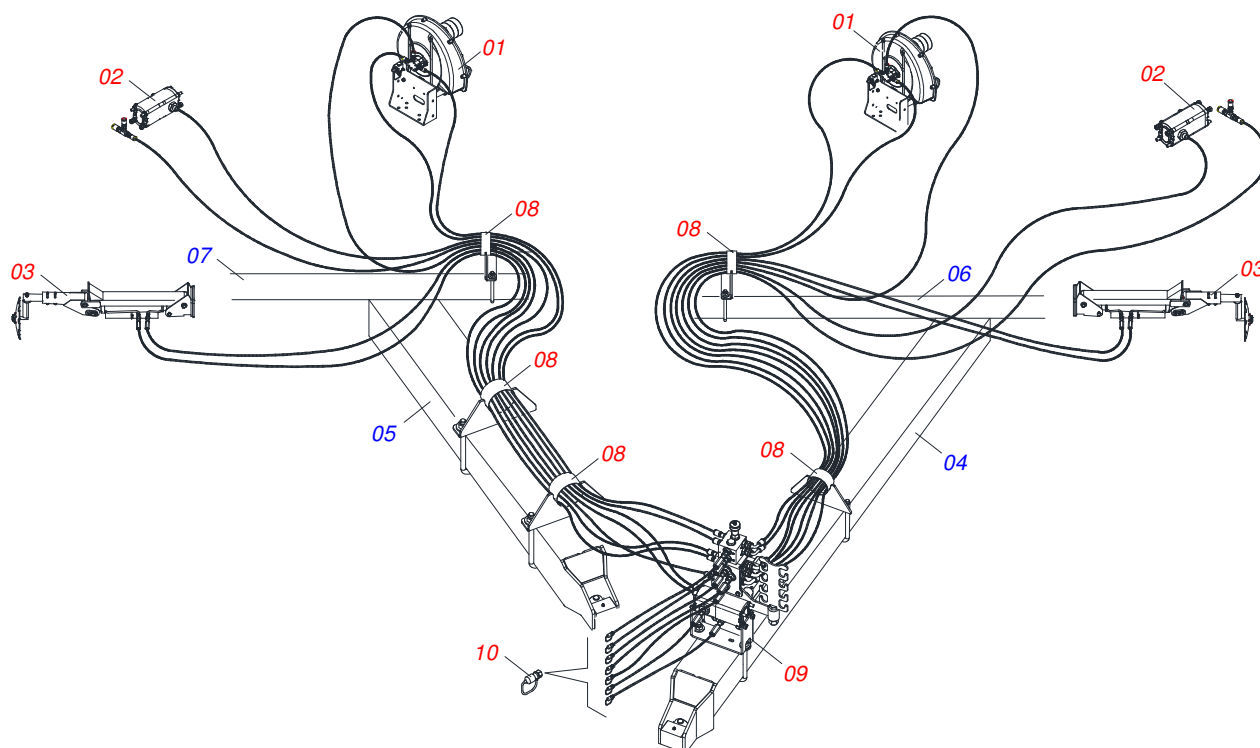
ROW MARKER DISC ASSY



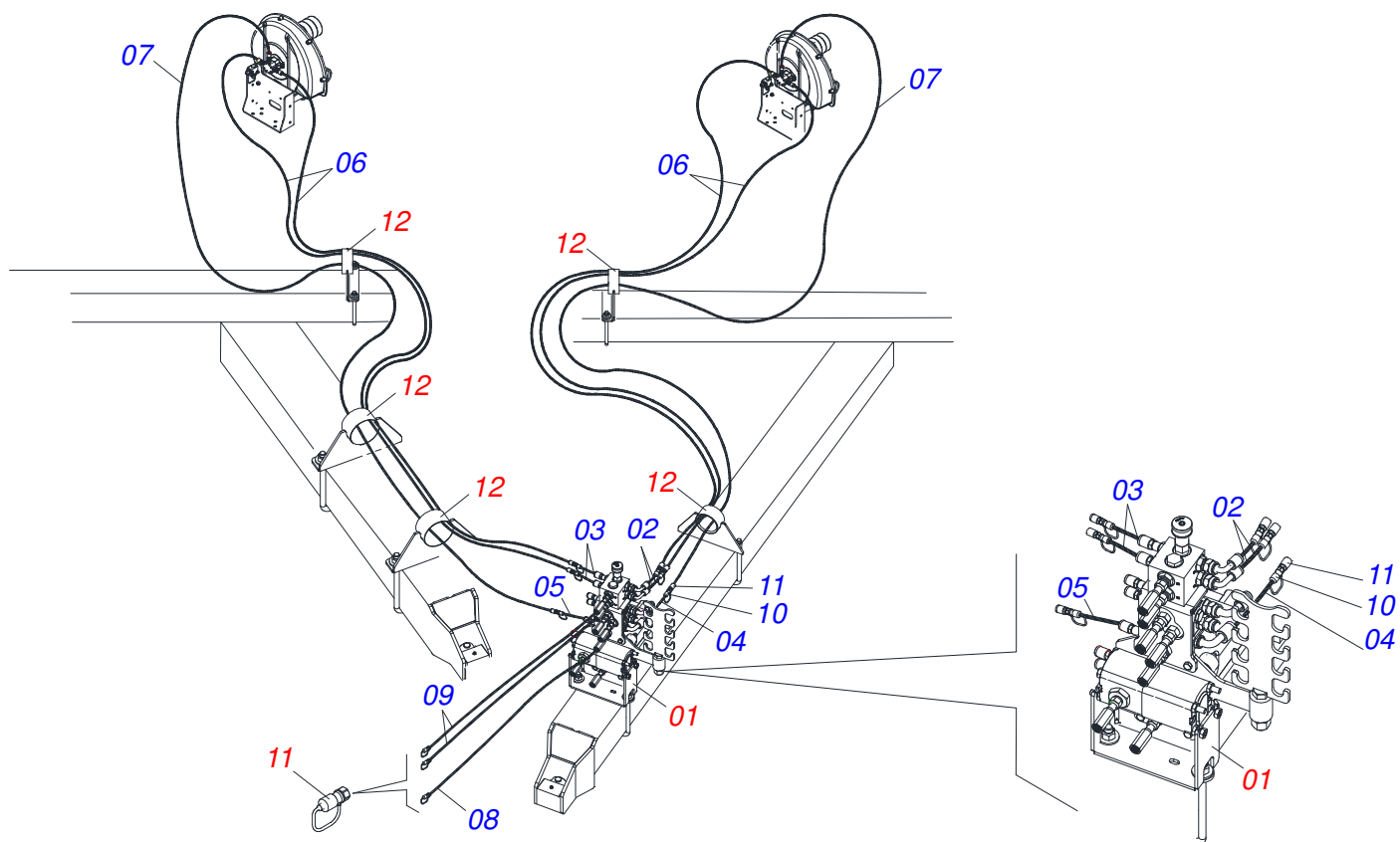
Item	Code	Description	QT
00	0511042494	ROW MARKER DISC ASSY	01
01	0502011907	DEPTH CONTROL WHEEL HUB	01
02	0503010269	6204 BALL BEARING	02
03	0503010689	SEAL 00763-BR	01
04	0503011105	SEAL RING	01
05	0521010489	SLEEVE SPACER	01
06	0602023094	16" X 0.2" NOTCHED DISC BLADE	01
07	0503010178	5/16" X 7/8" BOLT	04
08	0503010179	SPRING WASHER	04
09	0503010337	5/16" NUT	04
10	0511065478	ROW MARKER DISC AXLE	01
11	0503010878	5/8" SELF ALIGNING NUT	01
12	0521019178	COVER DEPTH	01
13	0503030757	2.9" X 2" X 0.02" JOINT	01
14	0503010298	1/4" X 1/2" BOLT	03
15	0503011441	SPRING WASHER	03
16	0503010691	1/4" GREASE FITTING	01
17	0501069226	ROW MARKER ROD STOP	01
18	0501011778	3/8" X 2-1/2" BOLT	04
19	0503010025	3/8" SPRING WASHER	04
20	0503010026	3/8" NUT	04
21	0503010014	3/4" NUT	01
22	0503010023	SPRING WASHER	01



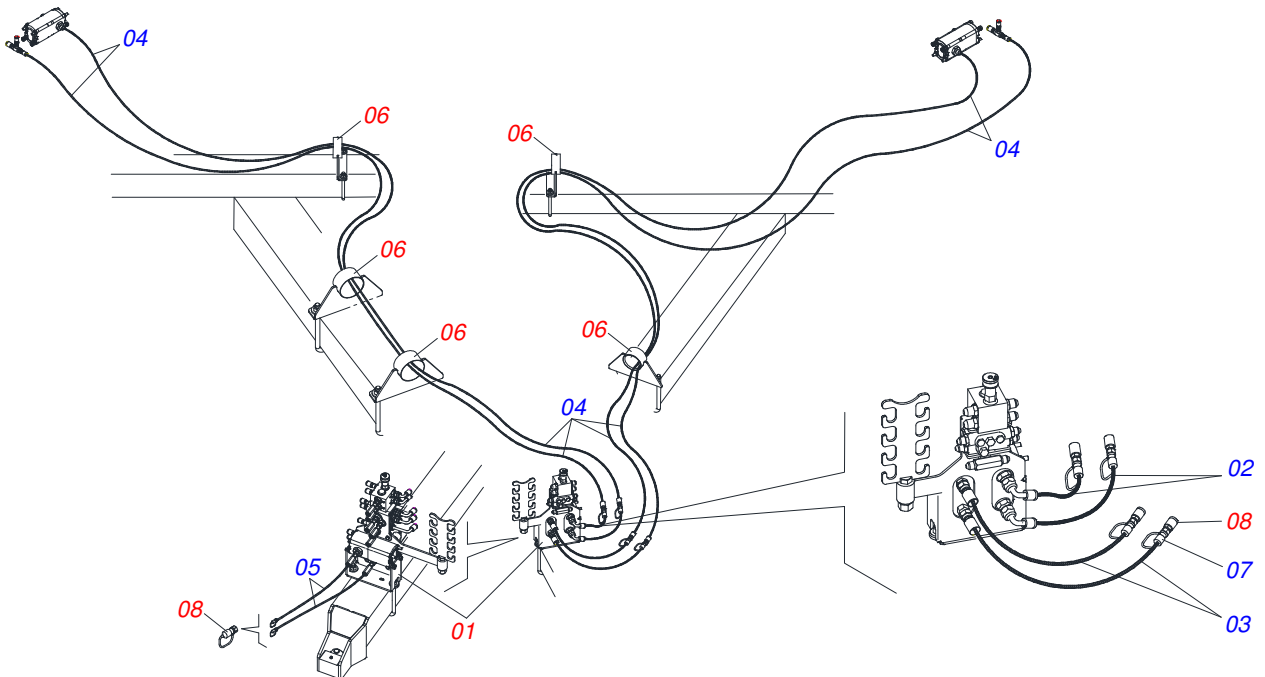
Item	Code	Description	QT
001	0521066554	SHIRT 72.85 X 522 USAP	01
002	0521066555	ROD 38,10 X 480 USAP	01
003	0503010002	1800 GREASE FITTING	02
004	0551016274	HYDRAULIC CYLINDER ADAPTER	02
005	0581010669	EMBOLUS 63.50 X 40 USAP	01
006	0503018005	RING	01
007	0503010558	7/8" NUT	01
008	0503010605	O'RING	01
009	0503010163	D-1500 SCRAPER RING	01
010	0502010471	MOBILE COVER	01
011	0581010668	RING SUPPORT	01
012	0503018004	RING	01
013	0503018003	GASKET	01
014	0503018163	BACK-UP RING	02
015	0503018162	O'RING	02
016	0503030385	PLUG	02



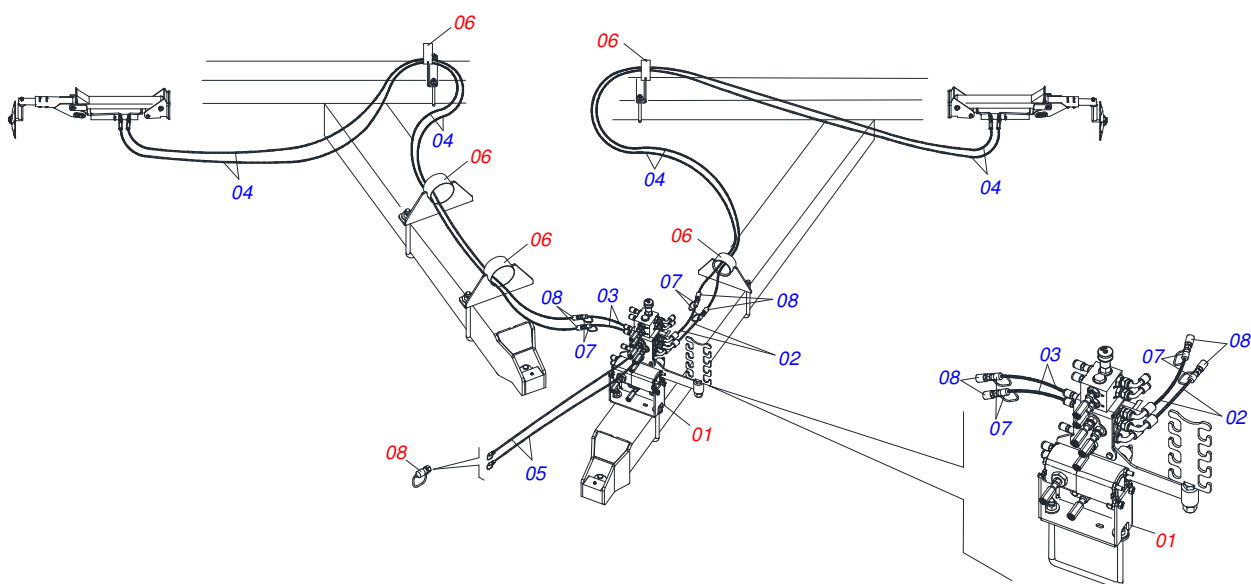
Item	Code	Description	10 11 L
01	0909093993	HYDRAULIC CIRCUIT TURBINA	01 01
02	0909093994	HYDRAULIC CIRCUIT LEVANTE	01 01
03	0909093995	HYDRAULIC CIRCUIT ROW MARKER	01 01
04	0521066877	RH ARM	01 00
04.	0521067315	RH ARM	00 01
05	0521066878	LH ARM	01 00
05.	0521067316	LH ARM	00 01
06	0521066875	SIDE BAR RIGHT	01 00
06.	0521068055	SIDE BAR RIGHT	00 01
07	0521066876	SIDE BAR LEFT	01 00
07.	0521068056	SIDE BAR LEFT	00 01
08	0511057448	TRANSPORT SUPPORT ASSY	05 05
09	0909093936	SUPPORT SET	01 01
10	0501053834	MALE QUICK COUPLING AGRICULTURAL WITH	07 07



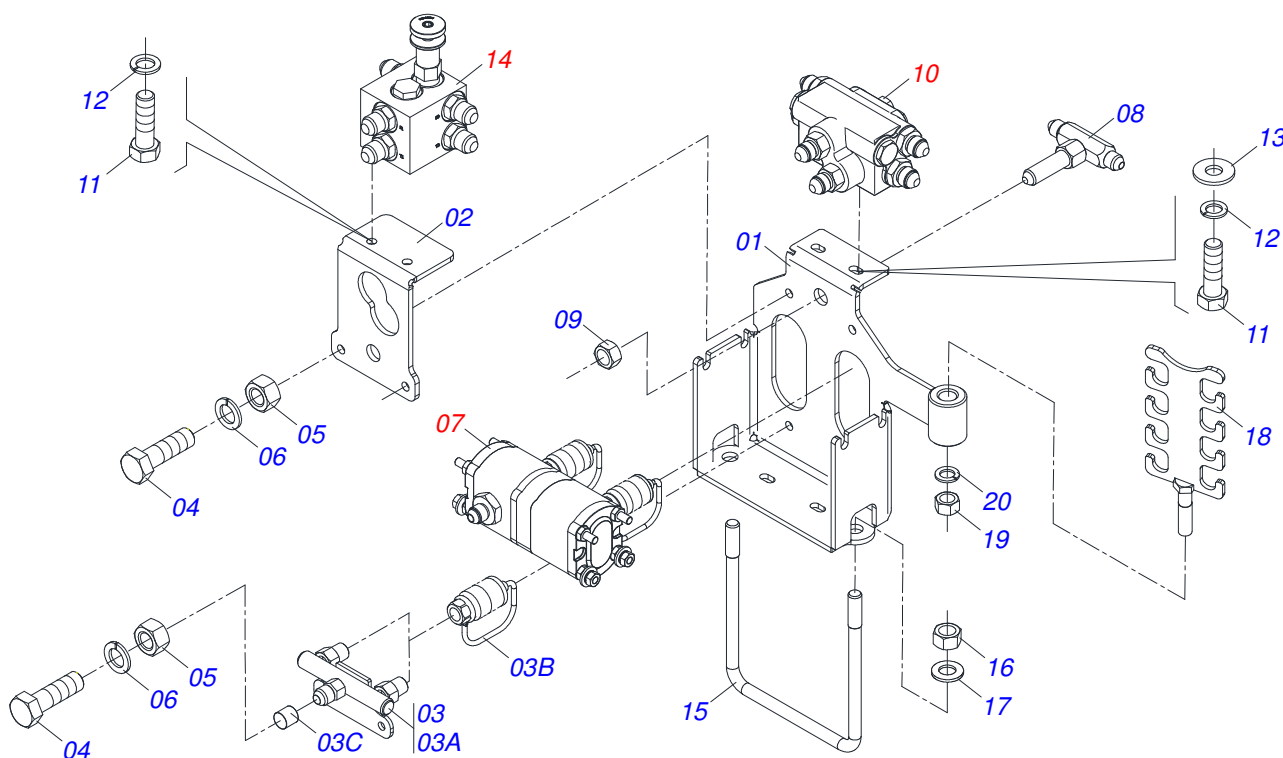
Item	Code	Description	10	11	L
01	0909093936	SUPPORT SET	01	01	
02	0501082018	1/2" X TC-TM HOSE ASSY	02	02	
03	0501082027	1/2" X TR-TM HOSE ASSY	02	02	
04	0501082016	3/8" X TC-TM HOSE ASSY	01	01	
05	0501081946	3/8" X 23.6" TR-TM HOSE ASSY	01	01	
06	0501082030	1/2" X TC-TM HOSE ASSY	04	00	
06.	0501082019	1/2" X TC-TM HOSE ASSY	00	04	
07	0501082031	HOSE	02	00	
07.	0501082017	1/2" X TC-TM HOSE ASSY	00	02	
08	0501080848	3/8" X 2000 TR-TM HOSE	01	01	
09	0501080073	1/2" X TR-TM HOSE ASSY	02	02	
10	0501053835	FEMALE QUICK COUPLER	05	05	
11	0501053834	MALE QUICK COUPLING AGRICULTURAL WITH	08	08	
12	0511057448	TRANSPORT SUPPORT ASSY	05	05	



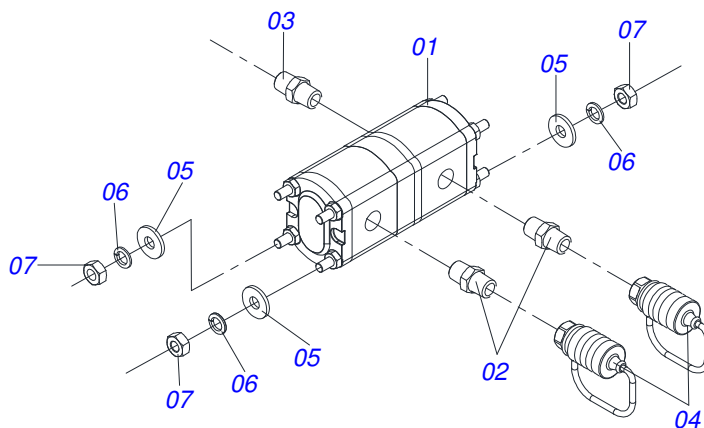
Item	Code	Description	10	11	L
01	0909093936	SUPPORT SET	01	01	
02	0501082018	1/2" X TC-TM HOSE ASSY	02	02	
03	0501082027	1/2" X TR-TM HOSE ASSY	02	02	
04	0501082026	1/2 X 7500 TC-TM HOSE	04	00	
04.	0501081053	1/2" X 8000 TC-TM HOSE ASSY	00	04	
05	0501080073	1/2" X TR-TM HOSE ASSY	02	02	
06	0511057448	TRANSPORT SUPPORT ASSY	05	05	
07	0501053835	FEMALE QUICK COUPLER	04	04	
08	0501053834	MALE QUICK COUPLING AGRICULTURAL WITH	06	06	



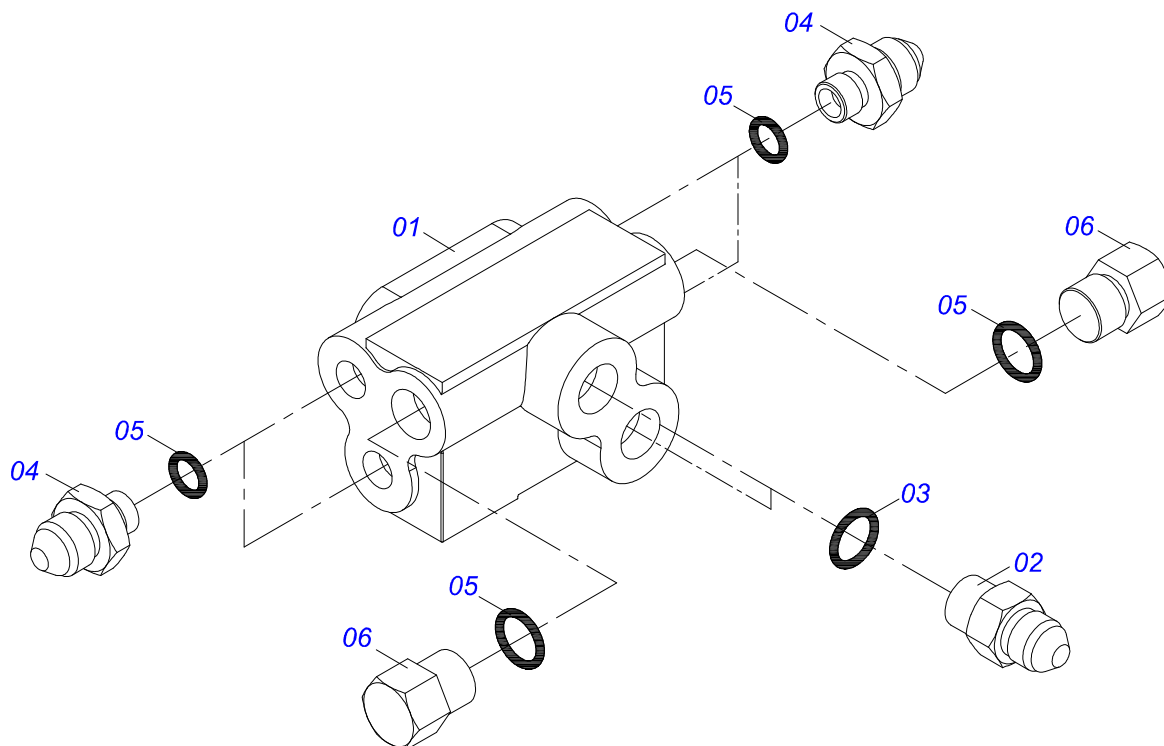
Item	Code	Description	10	11	L
01	0909093936	SUPPORT SET	01	01	
02	0501082016	3/8" X TC-TM HOSE ASSY	02	02	
03	0501081946	3/8" X 23.6" TR-TM HOSE ASSY	02	02	
04	0501080410	3/8" X 208" TC-TM HOSE ASSY	04	00	
04.	0501080847	3/8" X 5700 TC-TM HOSE	00	04	
05	0501080073	1/2" X TR-TM HOSE ASSY	02	02	
06	0511057448	TRANSPORT SUPPORT ASSY	05	05	
07	0501053835	FEMALE QUICK COUPLER	04	04	
08	0501053834	MALE QUICK COUPLING AGRICULTURAL WITH	06	06	



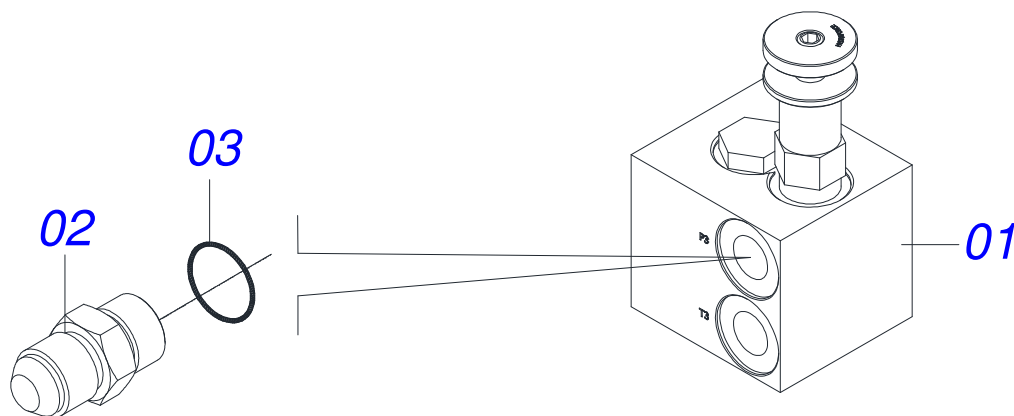
Item	Code	Description	QT
01	0521066069	VALV. SUPPORT	01
02	0571019308	VALV. SUPPORT	01
03	0511055980	FIXER LEVER LOWER	01
03A	0521065117	FIXER LEVER LOWER	01
03B	0501053835	FEMALE QUICK COUPLER	02
03C	0503030385	PLUG	01
04	0503010237	3/8" X 1" BOLT	04
05	0503010026	3/8" NUT	04
06	0503010025	3/8 SPRING WASHER	04
07	0511055979	FLOW DIVIDING VALVE	01
08	0521060118	"T" TERMINAL	01
09	0503833787	NUT 3/4 UNF	01
10	0501054649	SEQUENTIAL VALVE ASSY	01
11	0503010237	3/8" X 1" BOLT	04
12	0503010025	3/8 SPRING WASHER	04
13	0501013518	FLAT WASHER	02
14	0511057292	COMPLET FLOW REGULATION VALVE	01
15	0551015037	5/8" UNC X 210 X 198 FASTENER	01
16	0503012412	HEX SELF ADJUSTING NUT 5/8 UNC S	02
17	0501012140	FLAT WASHER	02
18	0521066072	HITCH FIX R NUT	01
19	0503010014	3/4" NUT	01
20	0503010023	SPRING WASHER	01



Item	Code	Description	QT
01	0503013791	DOUBLE MOTOR	01
02	0571016932	1/2" NIPPLE	02
03	0541018940	7/8 NF X R 1 BSPT X 55 NIPPLE	01
04	0501053835	FEMALE QUICK COUPLER	02
05	0501010984	FLAT WASHER	04
06	0503015075	M10 SPRING WASHER	04
07	0503011051	M10 X 0.6" NUT	04



Item	Code	Description	QT
01	0503060132	VDFS-002 T SEQUENCAL VALVE	01
02	0501010617	3/4" NIPPLE	02
03	0503010190	2-114 N 3006-9B O'RING	02
04	0501012109	3/4" X 9/16" NIPPLE	04
05	0503011036	2-111 N 3006-9B O'RING	06
06	0531019339	9/16" UNF X 12 PUMP	02



Item	Code	Description	QT
001	0503014774	HFB0709111 CONTROL VALVE	01
002	0501010590	7/8" REDUCTION NIPPLE	06
003	0503010045	2-116 N 3006-9B O'RING	06



MARCHESAN IMPLEMENTOS E MÁQUINAS AGRÍCOLAS TATU S.A.

AV. Marchesan, 1979 - Post office box, 131 - CEP 15994-900 - Matão - SP - Brazil

Phone +55 16.3382-8282

(FAX Parts) + 55 16.3382. 8297 - (Export) + 55 16.3382.1003

e.mail: tatu@marchesan.com.br www.marchesan.com.br

Technical Publications: Elaboration

LUIZ CANDIDO

Technical Publications: Revision

ALESSANDRA PATRICIA KAWAHARA CARRILI

Contact Catálogo:

E-mail = jgaspari@marchesan.com.br

**ORIGINAL PARTS
TATU**

