

PARTS CATALOGUE



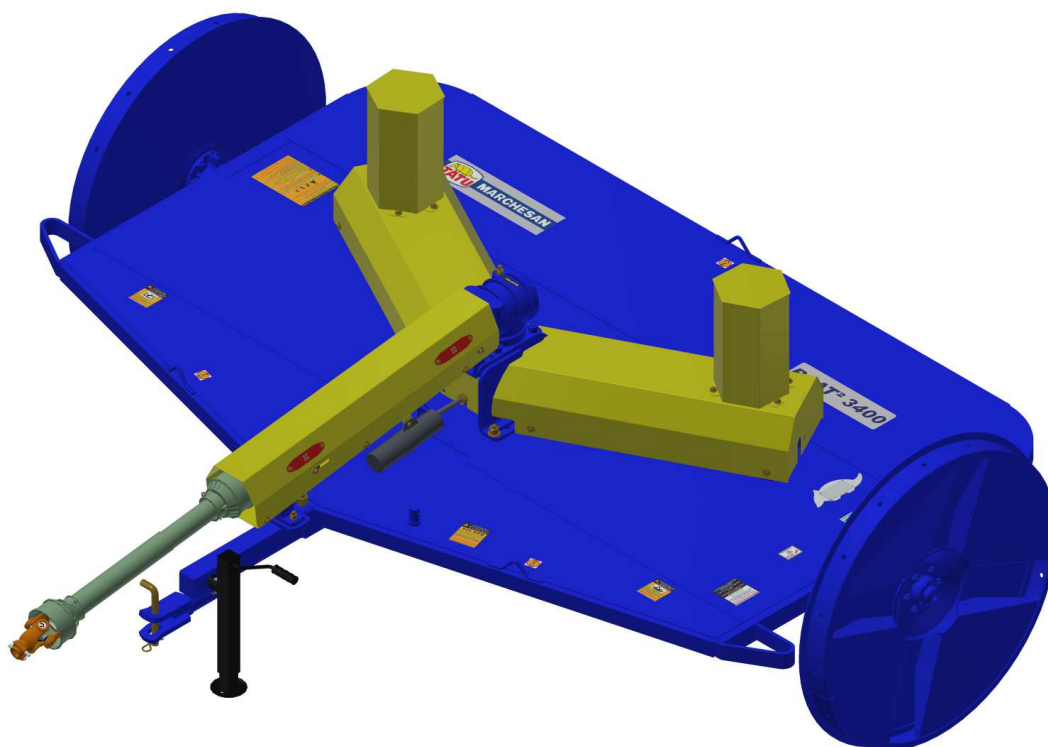
ROTARY CUTTERS

Code:

0501092207

Product:

ROAT2 3400



Series:

S-0516

Revision:

00

Date Revision:

MAIO/2018



PRODUCTS

Code	Description		
0104090020C	ROAT2 3400	EXP	S-0516
0104090020	ROAT2 3400 S-0516		

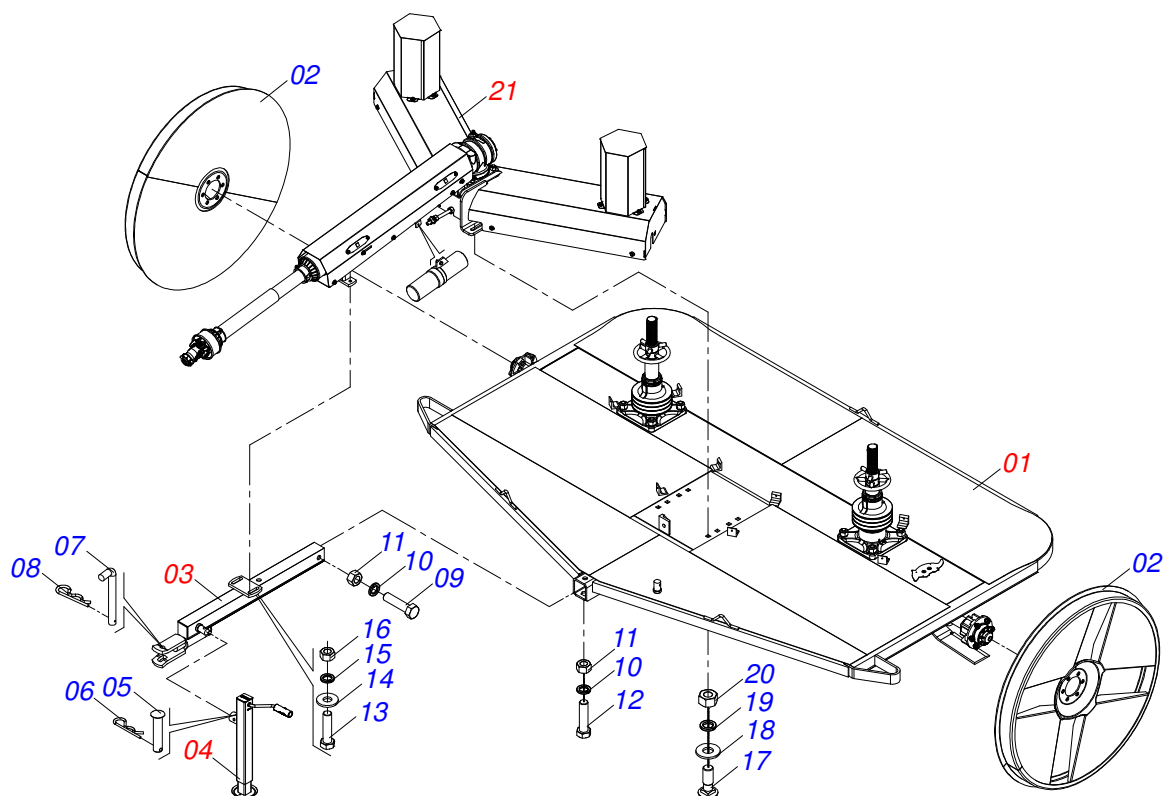
ATTENTION: IMPORTANT

Marchesan S.A. reserves the right to improve and / or modify the technical features of its products, without obligation to do the same with those products already sold and without prior knowledge of the dealer or the consumer.

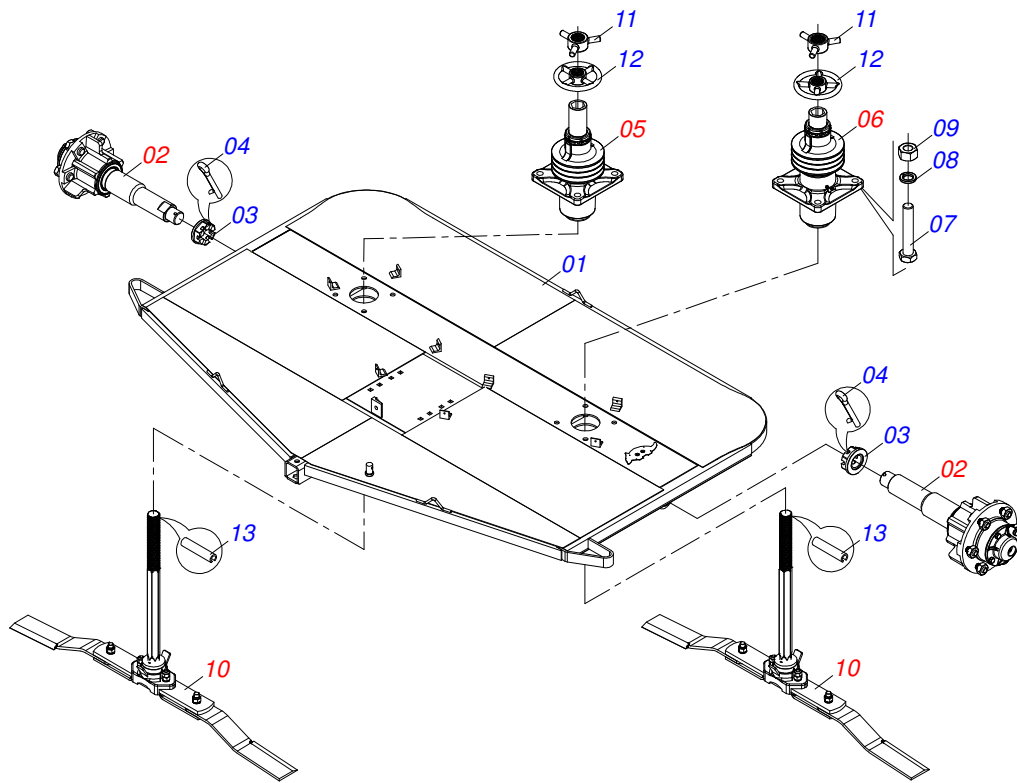


INDEX

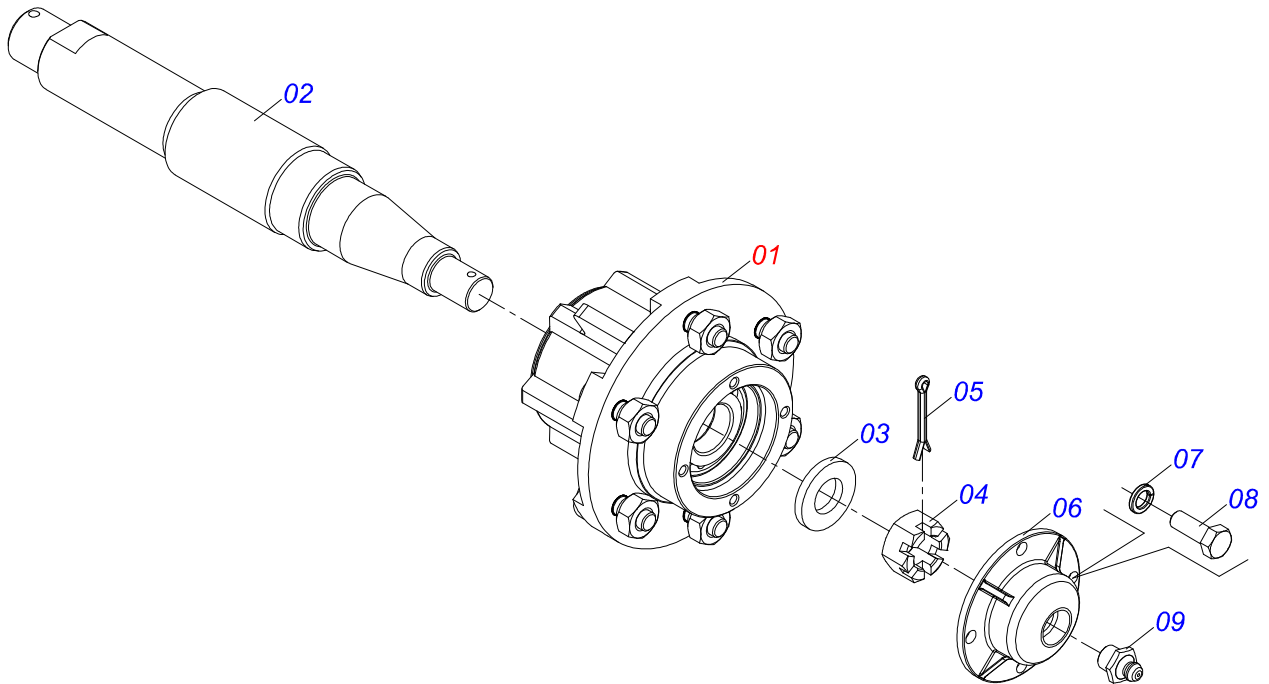
0909093997	ASSY FRAME	1
0501057742	SEMIFINISHED FRAME	2
0501051634	TSTUB SHAFT & HUB ASSY	3
0501051142	CARRYING WHEEL HUB	4
0511046006	BASS MANDREL	5
0511046007	MANDREL ASSY	6
0501057738	CUTTERS SUPPORT	7
0501057735	SEMI HITCH HEAD	8
0503062157	HEADER JACK	9
0909093998	ASSY TRANSMISSION COMPLETE	10
0501052026	REEL SUPPORT MULTIPLIER	11
0501046851	MULTIPLIER	12
0501044065	UNIVERSAL JOINT	13
0501044307	AGRICULTURAL BEARING ASSY	14
0501047952	DRIVE SHAFT	15



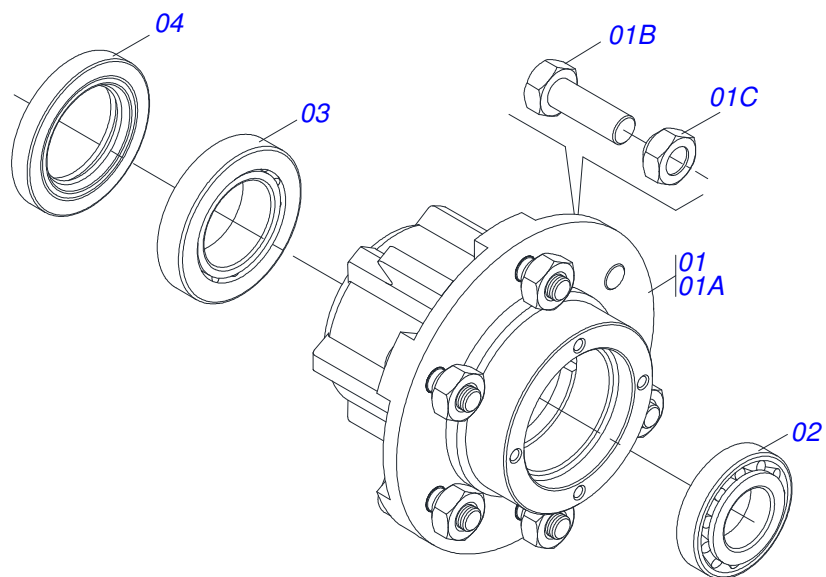
Item	Code	Description	See page	QT
01	0501057742	SEMI FINISHED FRAME	2	01
02	0511061898	WHEEL		02
03	0501057735	SEMI HITCH HEAD	8	01
04	0503062157	HEADER JACK	9	01
05	0521010549	COUPLING SHAFT		01
06	0503030168	HAIR PIN		01
07	0521010453	AXI SHAFT		01
08	0503031035	HAIR PIN		01
09	0501010392	1" X 5" BOLT		01
10	0503010012	1" SPRING WASHER		02
11	0501010059	1.5/8 NUT		02
12	0501010372	1" X 5-1/2" BOLT		01
13	0503010233	5/8" X 2-1/2" BOLT		02
14	0501012140	FLAT WASHER		02
15	0503010027	5/8" SPRING WASHER		02
16	0503010013	5/8" NUT		02
17	0501017305	3/4" X 2-1/4" BOLT		04
18	0501010322	FLAT WASHER		04
19	0503010023	3/4" SPRING WASHER		04
20	0503010014	3/4" NUT		04
21	0909093998	ASSY TRANSMISSION COMPLETE	10	01



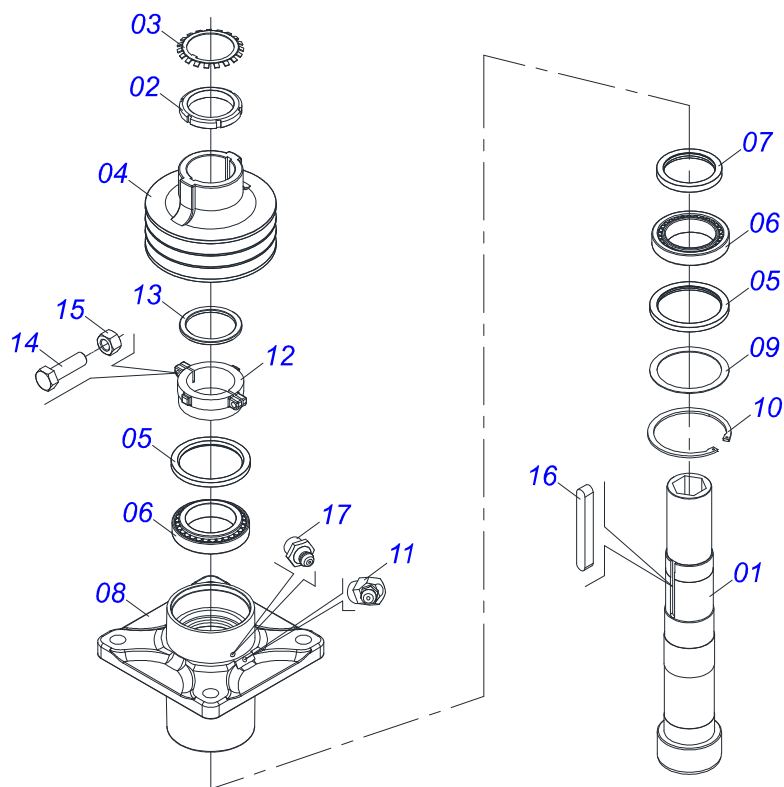
Item	Code	Description	See page	QT
01	0511068799	FRAME ROAT2 3400 S-1003		01
02	0501051634	TSTUB SHAFT & HUB ASSY	3	02
03	0501011301	1.1/2 UNC 6FPP 2.5/16 NUT		02
04	0503010010	1/4" X 2.1/2" COTTERPIN		02
05	0511046006	BASS MANDREL	5	01
06	0511046007	MANDREL ASSY	6	01
07	0501010372	1" X 5-1/2" BOLT		08
08	0503011438	SPRING WASHER		08
09	0501010059	1.5/8 NUT		08
10	0501057738	CUTTERS SUPPORT	7	02
11	0502012460	HANDLE LOCK		02
12	0502012459	HANDLE ROAT2		02
13	0503016184	SPRING PIN		02



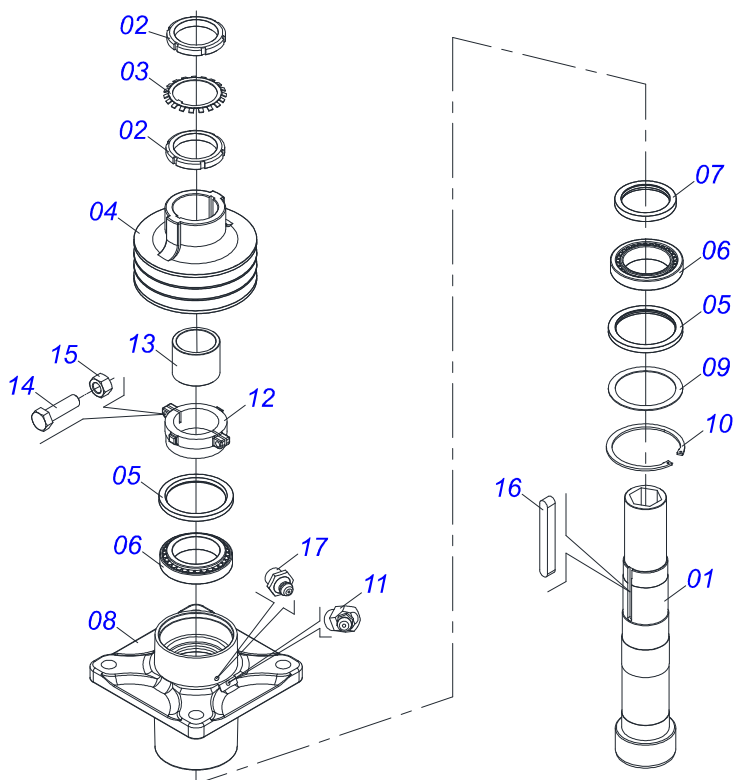
Item	Code	Description	See page	QT
01	0501051142	CARRYING WHEEL HUB	4	01
02	0521010821	2.5" X 16.5" AXLE		01
03	0501016545	FLAT WASHER		01
04	0503030009	1" CASTLE NUT		01
05	0503010018	5/32 X 1-1/2 COTTERPIN		01
06	0502020591	PROTECCION COVER		01
07	0503011444	SPRING WASHER		04
08	0503010358	5/16" X 5/8" BOLT		04
09	0503010002	1800 GREASE FITTING		01



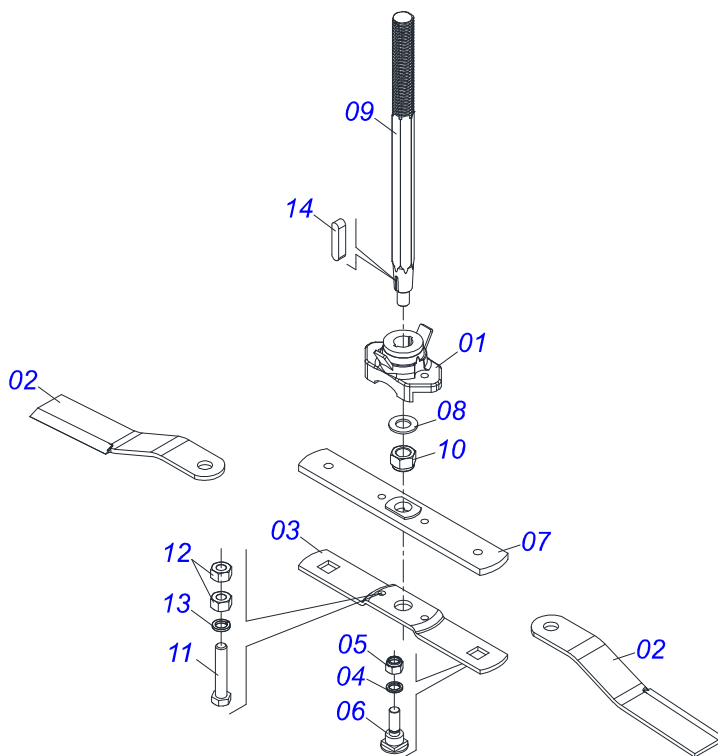
Item	Code	Description	See page	QT
01	0501110728	WHEEL HUB		01
01A	0502011121	CARRYING WHEEL HUB		01
01B	0501010127	9/16" X 1-7/8" LUG BOLT		06
01C	0503010035	9/16" CONIC NUT		06
02	0503010037	30207 ROLLER BEARING		01
03	0503010006	32210 ROLLER BEARING		01
04	0503012928	SEAL		01



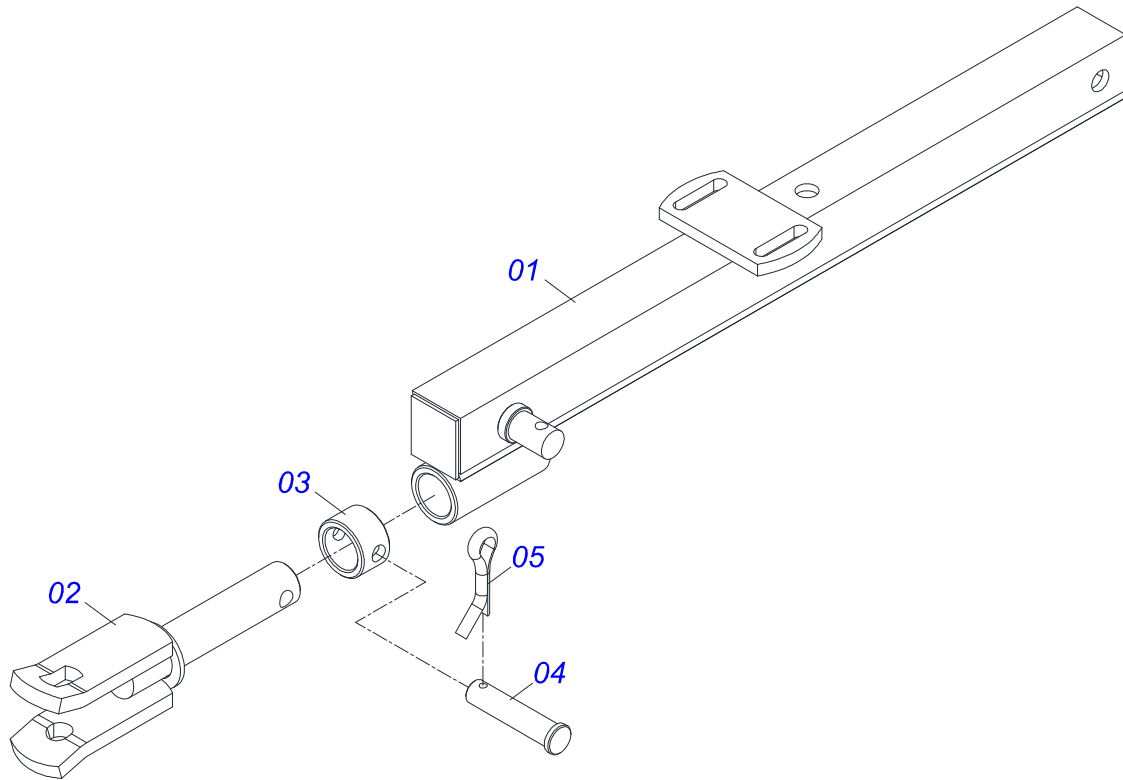
Item	Code	Description	See page	QT
01	0502040767	MANDREL AXLE BODY		01
02	0503010554	KM- 16 LOCKNUT		01
03	0503010553	LOCK WASHER		01
04	0502012463	3 REEL 210 PULLEY		01
05	0503010095	01103-B SEAL		02
06	0503014559	ROLLER BEARING		02
07	0503014560	SEAL		01
08	0502012461	MANDREL BODY		01
09	0551015956	FLAT WASHER		01
10	0503014558	502135 CLAMPING RING (FOR HOLE)		01
11	0503010003	1845 GREASE FITTING		01
12	0502040768	ADJUSTMENT BUSHING		01
13	0551015954	WASHER		01
14	0503010751	C3/8" X 1.1/4" HEX BOLT G.5		02
15	0503010026	3/8" NUT		02
16	0501018488	3/8" X 3.1" KEYWAY SQUARE		02
17	0503010002	1800 GREASE FITTING		02



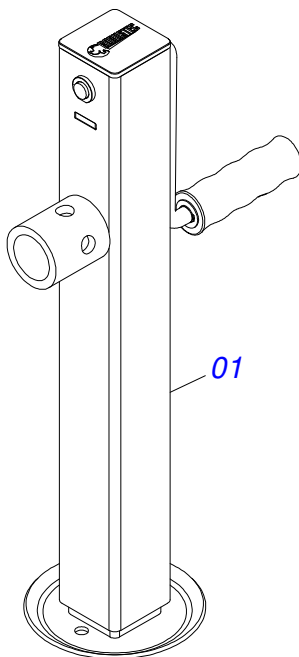
Item	Code	Description	See page	QT
01	0502040766	MANDREL AXLE BODY		01
02	0503010554	KM- 16 LOCKNUT		02
03	0503010553	LOCK WASHER		01
04	0502012463	3 REEL 210 PULLEY		01
05	0503010095	01103-B SEAL		02
06	0503014559	ROLLER BEARING		02
07	0503014560	SEAL		01
08	0502012461	MANDREL BODY		01
09	0551015956	FLAT WASHER		01
10	0503014558	502135 CLAMPING RING (FOR HOLE)		01
11	0503010003	1845 GREASE FITTING		01
12	0502040768	ADJUSTMENT BUSHING		01
13	0551015955	84 X 105 X 82,6 SLEEVE		01
14	0503010751	C3/8" X 1.1/4" HEX BOLT G.5		02
15	0503010026	3/8" NUT		02
16	0501018488	3/8" X 3.1" KEYWAY SQUARE		02
17	0503010002	1800 GREASE FITTING		01



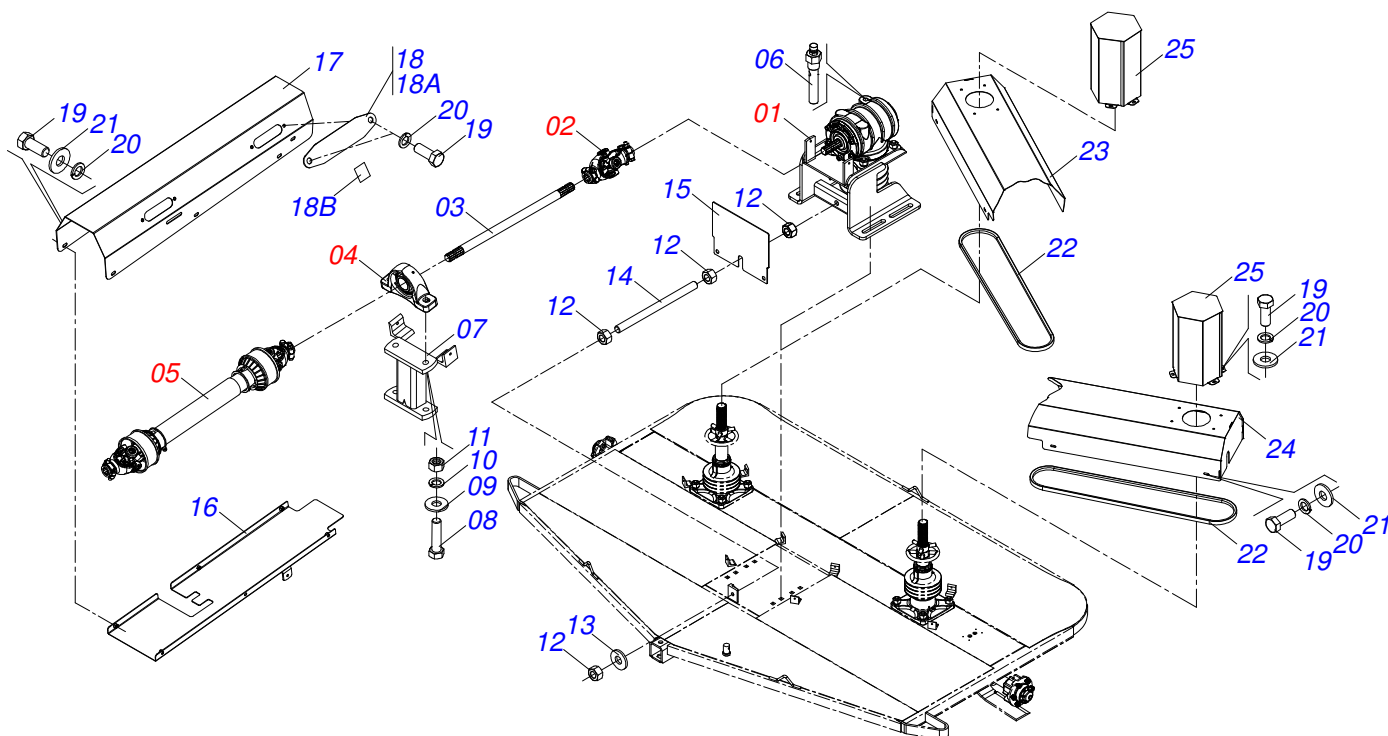
Item	Code	Description	See page	QT
01	0502012453	SUPPORT FLANGE		01
02	0622400054	24.5" X 3.94" X 0.5" ROTARY CUTTER		02
03	0561017369	ROTARY LOWER SUPPORT LOWER		01
04	0503011447	SPRING WASHER		02
05	0503010812	7/8" UNF SELF LOCKING NUT		02
06	0511019000	BOLT		02
07	0561017307	SUPPORT UPPER BASE		01
08	0501017779	32 X 60 X 4.75 FLAT WASHER		01
09	0551015952	SUPPORT FIXER AXLE		01
10	0503010817	1.1/4" SELF LOCKING NUT		01
11	0503011328	3/4" X 4" BOLT		02
12	0503010014	3/4" NUT		04
13	0503011442	3/4" SPRING WASHER		02
14	0501010536	KEYWAY SQUARE		02



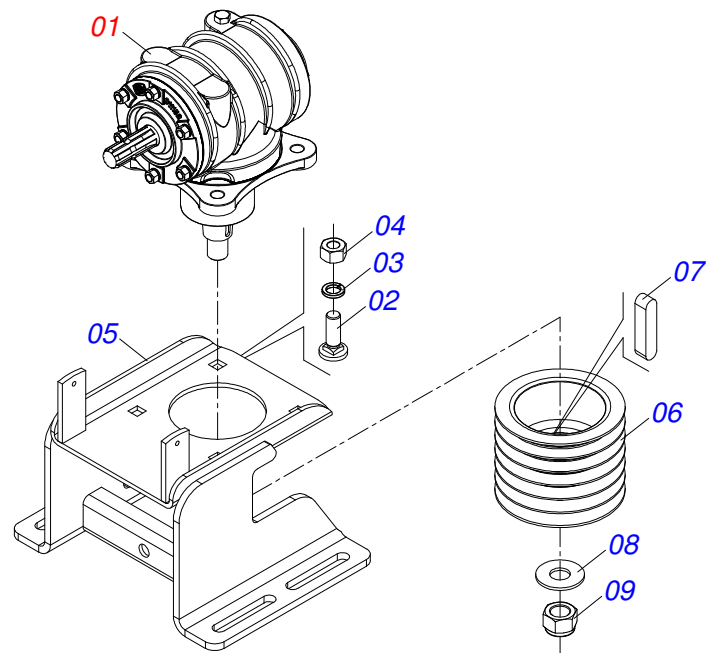
Item	Code	Description	See page	QT
01	0511068803	DRAWBAR ROAT2		01
02	0501069166	TRACTOR HITCH		01
03	0521010681	BUSHING COUPLING BODY		01
04	0521010639	COUPLING SHAFT		01
05	0503010571	1/4" X 1.1/2 COTTERPIN		01



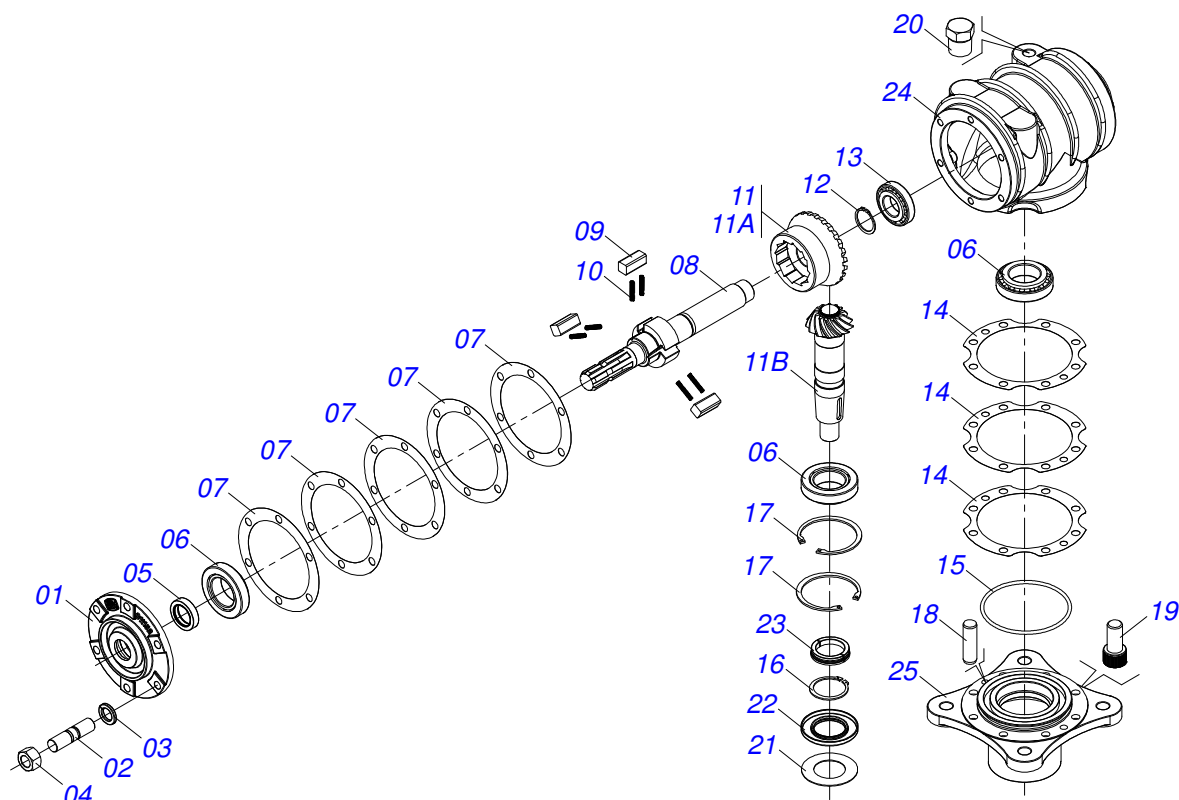
Item	Code	Description	See page	QT
01	0503062157	HEADER JACK	9	01



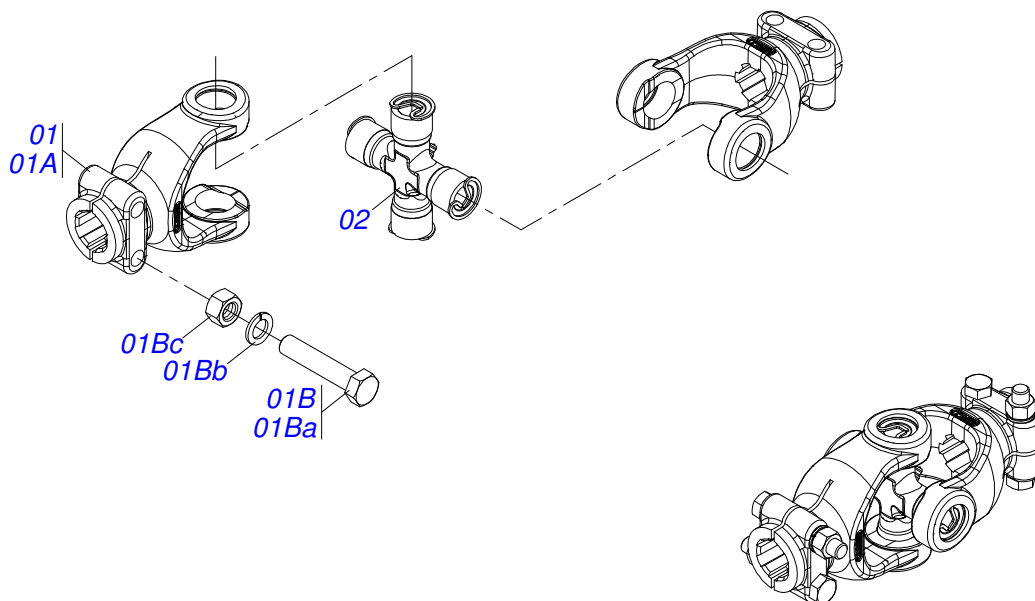
Item	Code	Description	See page	QT
01	0501052026	REEL SUPPORT MULTIPLIER	11	01
02	0501044065	UNIVERSAL JOINT	13	01
03	0511011543	DRIVE AXLE		01
04	0501044307	AGRICULTURAL BEARING ASSY	14	01
05	0501047952	DRIVE SHAFT	15	01
06	0501110186	OIL SMALLER LEVEL INDICATOR		01
07	0501061174	BEARING SUPPORT		01
08	0503010734	1/2" X 2-1/2" BOLT		02
09	0511017302	FLAT WASHER		04
10	0503010019	1/2" SPRING WASHER		02
11	0503010060	1/2" NUT		02
12	0503010014	3/4" NUT		04
13	0501010322	FLAT WASHER		01
14	0501013451	282 TENSIONER BODY		01
15	0581012545	PROTECTION BELT MULTIPLIER SUPPORT		01
16	0521067222	LOWER CAP AXLE PROTECTION		01
17	0521067224	GREATER PROTECTION COVER SHAFT		01
18	0521052619	TRANSMISSION SHAFT LUBRICATION DOOR WITH ADHESIVE		02
18A	0581012546	LUBRICATION AXIS TRANSMISSION		02
18B	0503034247	ADHESIVE LABEL POINT LUBRICATION		02
19	0503010256	3/8" X 3/4" BOLT		16
20	0503010025	3/8" SPRING WASHER		16
21	0501010984	FLAT WASHER		16
22	0503010924	C-96 BELT		06
23	0521067226	COVER RIGHT PROTECTION BELTS		01
24	0521067225	COVER PROTECTION BELTS LEFT		01
25	0521067228	SHIELD AXLE PROTECTION COVER		02



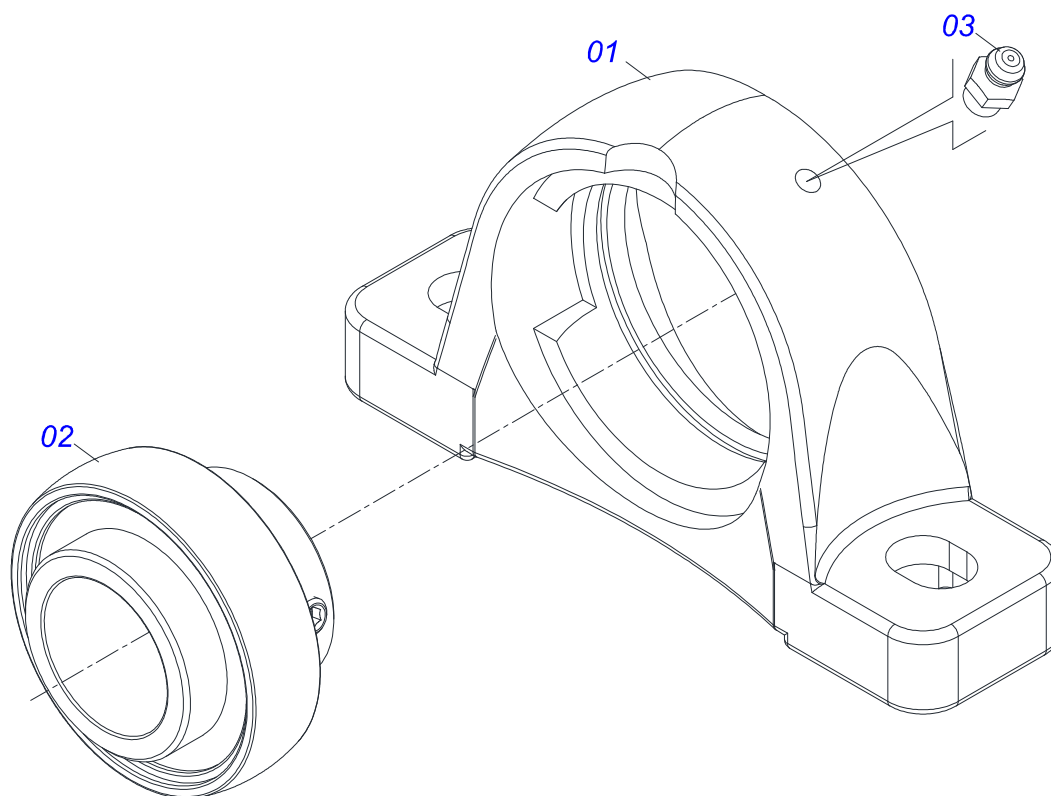
Item	Code	Description	See page	QT
01	0501046851	MULTIPLIER	12	01
02	0511018358	3/4" X 2-1/4"7MM BOLT		04
03	0503011442	3/4" SPRING WASHER		04
04	0503010014	3/4" NUT		04
05	0501068587	MULTIPLIER SUPPORT		01
06	0502011378	6 REEL X 7.5" X 1.97" PULLEY		01
07	0501010536	KEYWAY SQUARE		02
08	0561015762	FLAT WASHER		01
09	0503010817	1.1/4" SELF LOCKING NUT		01



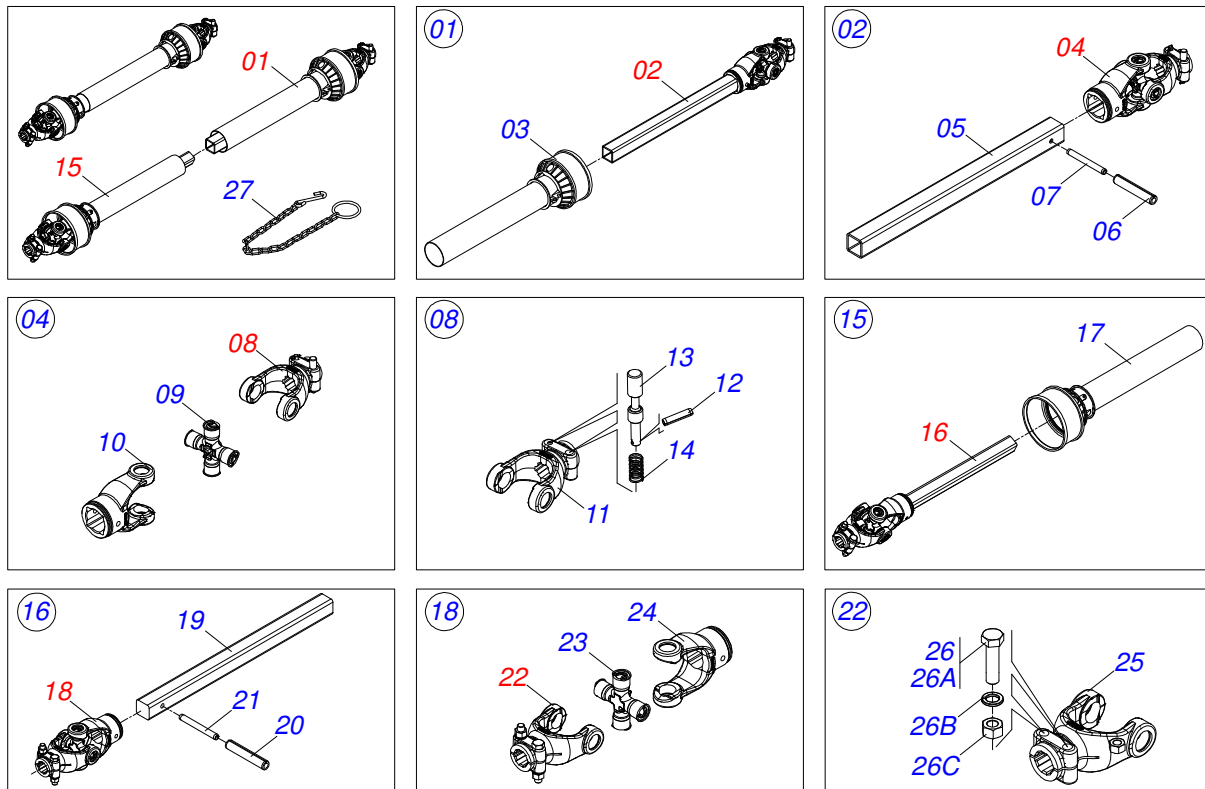
Item	Code	Description	See page	QT
01	0502011152	SMALLER COVER		01
02	0503030084	1/2" X 1/2" X 2.0" STUD		06
03	0503011440	SPRING WASHER		06
04	0503010028	1/2" NUT		06
05	0503011171	00912-BRG SEAL		01
06	0503010006	32210 ROLLER BEARING		03
07	0503030783	7.1" X 5.3" X 0.008" JOINT		05
08	0503050063	UPPER AXLE		01
09	0501010649	RATCHET CLICK		03
10	0503030051	0.2" X 1" X 0.1" COMPRESSION SPRING		06
11	0503060210	CROWN PINION SET		01
11A	0503050074	25Z CONICAL GEAR		01
11B	0503061048	PINION		01
12	0503010217	501040 CLAMPING RING (FOR AXLE)		01
13	0503010037	30207 ROLLER BEARING		01
14	0503030785	7.9" X 5.9" X 0.008" JOINT		03
15	0503010286	2-355 N 3006-9B O'RING		01
16	0503010396	501060 CLAMPING RING (FOR AXLE)		01
17	0503011190	SEAL RING		02
18	0503017877	PIN GUIDE		02
19	0503010562	1/2" X 1" BOLT		08
20	0503031604	1/2" BSP PLUG		01
21	0521018064	FLAT WASHER		01
22	0503011047	5089 SEAL		01
23	0511010142	LOCK RING		01
24	0502010984	LEFT MULTIPLIER BOX		01
25	0502011393	LOWER HUB		01



Item	Code	Description	See page	QT
01	0501052516	T6-60 TERMINAL WITH SCREW		02
01A	0502010830	6-60 STRIATED 1.3/8" TERMINAL		02
01B	0501047756	1/2" X 3" SET PARTS		02
01Ba	0503010479	BOLT		02
01Bb	0503010019	1/2" SPRING WASHER		02
01Bc	0503010060	1/2" NUT		02
02	0503010837	CARDAN CROSSPIECE		01



Item	Code	Description	See page	QT
01	0503010596	AGRICULTURAL HOUSING BEARING		01
02	0503010597	BALL BEARING		01
03	0503010691	1/4" GREASE FITTING		01



Item	Code	Description	See page	QT
01	0501051705	UNIVERSAL JOINT WITH SLEEVE/PROT		01
02	0501051707	UNIVERSAL JOINT WITH SLEEVE		01
03	0503012084	PROTECTION FOR UNIV JOINT AND SLEEV		01
04	0501051708	UNIVERSAL JOINT		01
05	0511010332	23" X 1.8" SQUARE SLEEVE		01
06	0503010843	0.4" X 3.3" SPRING PIN		01
07	0503011878	0.2" X 3.3" SPRING PIN		01
08	0501050334	1-60 TERMINAL WITH QUICK HITCH		01
09	0503010837	CARDAN CROSSPIECE		01
10	0502011422	2-60 TERMINAL		01
11	0502010568	1-60 STRIATED 1.3/8" TERMINAL		01
12	0503010838	0.1" X 0.8" SPRING PIN		02
13	0503037375	PIN QUICK COUPLING		02
14	0503030518	0.5"X1.0"X 0.1" COMPRESSION SPRING		02
15	0501051706	UNIVERSAL JOINT WITH AXLE/PROT		01
16	0501051709	UNIVERSAL JOINT WITH SHAFT		01
17	0503012085	PROTECTION FOR UNIV JOINT AND AXLE		01
18	0501051710	UNIVERSAL JOINT		01
19	0511010326	1.4" X 23" SQUARE SHAFT		01
20	0503011069	0.4" X 2.8" SPRING PIN		01
21	0503011805	0.2" X 2.8" SPRING PIN		01
22	0501052516	T6-60 TERMINAL WITH SCREW		01
23	0503010837	CARDAN CROSSPIECE		01
24	0502011424	3-60 TERMINAL		01
25	0502010830	6-60 STRIATED 1.3/8" TERMINAL		01
26	0501047756	1/2" X 3" SET PARTS		02
26a	0503010479	BOLT		01
26b	0503010019	1/2" SPRING WASHER		01
26c	0503010060	1/2" NUT		01
27	0503012023	CHAIN FOR PROTECTION		02



www.marchesan.com.br



Technical Publications | Elaboration and Revision
ALESSANDRA PATRICIA KAWAHARA CARRILI