

**OFFSET DISK HARROW**

**GASPCR EHD 10020 - HYDRAULICS - AXIS  
2.1/2" - 12/14/16/18/20/22/24/26D**

**Code:** 0501092205  
**Series:** S-0518  
**Revision:** 00  
**Date Revision:** MAIO/2018

**PARTS  
CATALOGUE**



**MARCHESAN**



# PRODUCTS

Code	Description
0102090103	GASPCR EHD 10020 12X32X12 DM HID S-0518
0102090105	GASPCR EHD 10020 12X36X12 DM HID S-0518
0102090104	GASPCR EHD 10020 12X36X12 DM HID S/PN S-0518
0102090106	GASPCR EHD 10020 12X38X12 DM HID S-0518
0102090107	GASPCR EHD 10020 12X40X12 DM HID S-0518
0102090159	GASPCR EHD 10020 12X42X12 DM HID S-0518
0102090226	GASPCR EHD 10020 14X36X12 DM HID S-0518
0102090182	GASPCR EHD 10020 14X36X12 DM HID S/PN S-0518
0102090276	GASPCR EHD 10020 14X36X12 DM HID S/R S-0518
0102090227	GASPCR EHD 10020 14X38X12 DM HID S-0518
0102090228	GASPCR EHD 10020 14X40X12 DM HID S-0518
0102090229	GASPCR EHD 10020 14X42X12 DM HID S-0518
0102090280	GASPCR EHD 10020 14X42X12 DM HID S/R S/M S-0518
0102090230	GASPCR EHD 10020 16X32X12 DM HID S-0518
0102090231	GASPCR EHD 10020 16X36X12 DM HID S-0518
0102090232	GASPCR EHD 10020 16X36X12 DM HID S/PN S-0518
0102090233	GASPCR EHD 10020 16X38X12 DM HID S-0518
0102090234	GASPCR EHD 10020 16X40X12 DM HID S-0518
0102090235	GASPCR EHD 10020 16X42X12 DM HID S-0518
0102090240	GASPCR EHD 10020 18X36X12 DM HID S-0518
0102090241	GASPCR EHD 10020 18X38X12 DM HID S-0518
0102090242	GASPCR EHD 10020 18X40X12 DM HID S-0518
0102090243	GASPCR EHD 10020 18X42X12 DM HID S-0518
0102090248	GASPCR EHD 10020 20X36X12 DM HID S-0518
0102090249	GASPCR EHD 10020 20X38X12 DM HID S-0518
0102090250	GASPCR EHD 10020 20X40X12 DM HID S-0518
0102090251	GASPCR EHD 10020 20X42X12 DM HID S-0518
0102090256	GASPCR EHD 10020 22X36X12 DM HID S-0518
0102090257	GASPCR EHD 10020 22X38X12 DM HID S-0518
0102090258	GASPCR EHD 10020 22X40X12 DM HID S-0518

## ATTENTION: IMPORTANT

Marchesan S.A. reserves the right to improve and/or modify the technical features of its products, without obligation to do the same with those products already sold and without prior knowledge of the dealer or the consumer. The photos are only illustrative.



# PRODUCTS

0102090259	GASPCR EHD 10020 22X42X12 DM HID S-0518
0102090264	GASPCR EHD 10020 24X36X12 DM HID S-0518
0102090265	GASPCR EHD 10020 24X38X12 DM HID S-0518
0102090266	GASPCR EHD 10020 24X40X12 DM HID S-0518
0102090267	GASPCR EHD 10020 24X42X12 DM HID S-0518
0102090272	GASPCR EHD 10020 26X36X12 DM HID S-0518
0102090273	GASPCR EHD 10020 26X38X12 DM HID S-0518
0102090274	GASPCR EHD 10020 26X40X12 DM HID S-0518
0102090275	GASPCR EHD 10020 26X42X12 DM HID S-0518

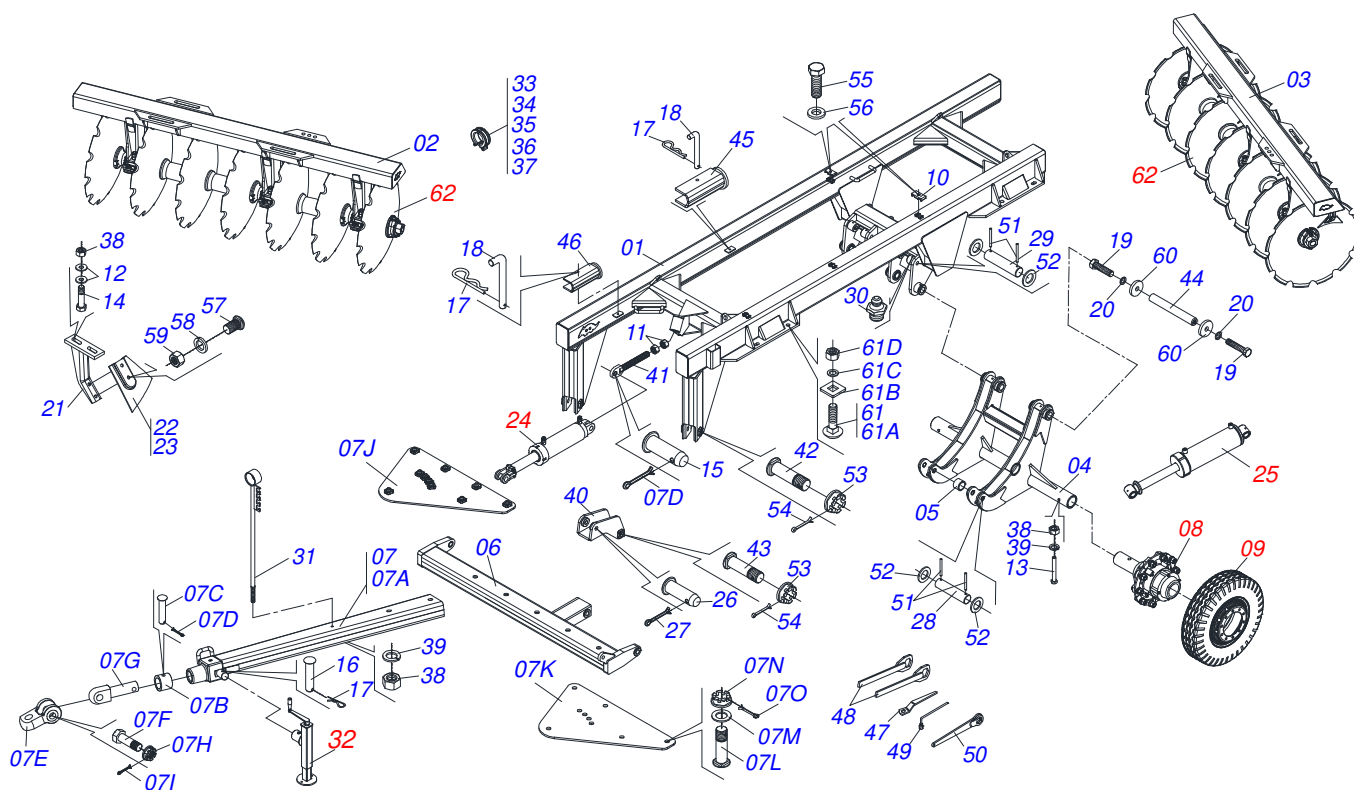
## ATTENTION: IMPORTANT

Marchesan S.A. reserves the right to improve and/or modify the technical features of its products, without obligation to do the same with those products already sold and without prior knowledge of the dealer or the consumer. The photos are only illustrative.



# INDEX

0909093926	12-14D - FRAME ASSY	.....	1
0909093927	16D - FRAME ASSY	.....	2
0909093931	18/20/22D - FRAME ASSY	.....	3
0909093932	24/26D - FRAME ASSY	.....	4
0511058419	HYDRAULIC CYLINDER 50,80 X 101,60 X 514 X 206	.....	5
0521051832	HYDRAULIC CYLINDER 53,98 X 114,30 X 654 X 346	.....	6
0511058521	50,80 X 101,60 X 527 X 165 HYDRAULIC CYLINDER	.....	7
0511048088	DRAWBAR JACK	.....	8
0511042200	495MM X 2-1/2" RD. OIL BATH BEARING	.....	9
0909094047	12/14 - DISC GANG SECTION	.....	10
0909091436	16D - DISC GANG SECTION	.....	11
0909094308	18/20/22/24/26 DISC GANG SECTION	.....	12
0909094319	HYDRAULIC CIRCUIT - 12/14D	.....	13
0909093951	16 A 24D - CARRYING WHEEL HYDRAULIC CIRCUIT	.....	14
0909093949	CARRYING WHEEL HYDRAULIC CIRCUIT - 26D	.....	15



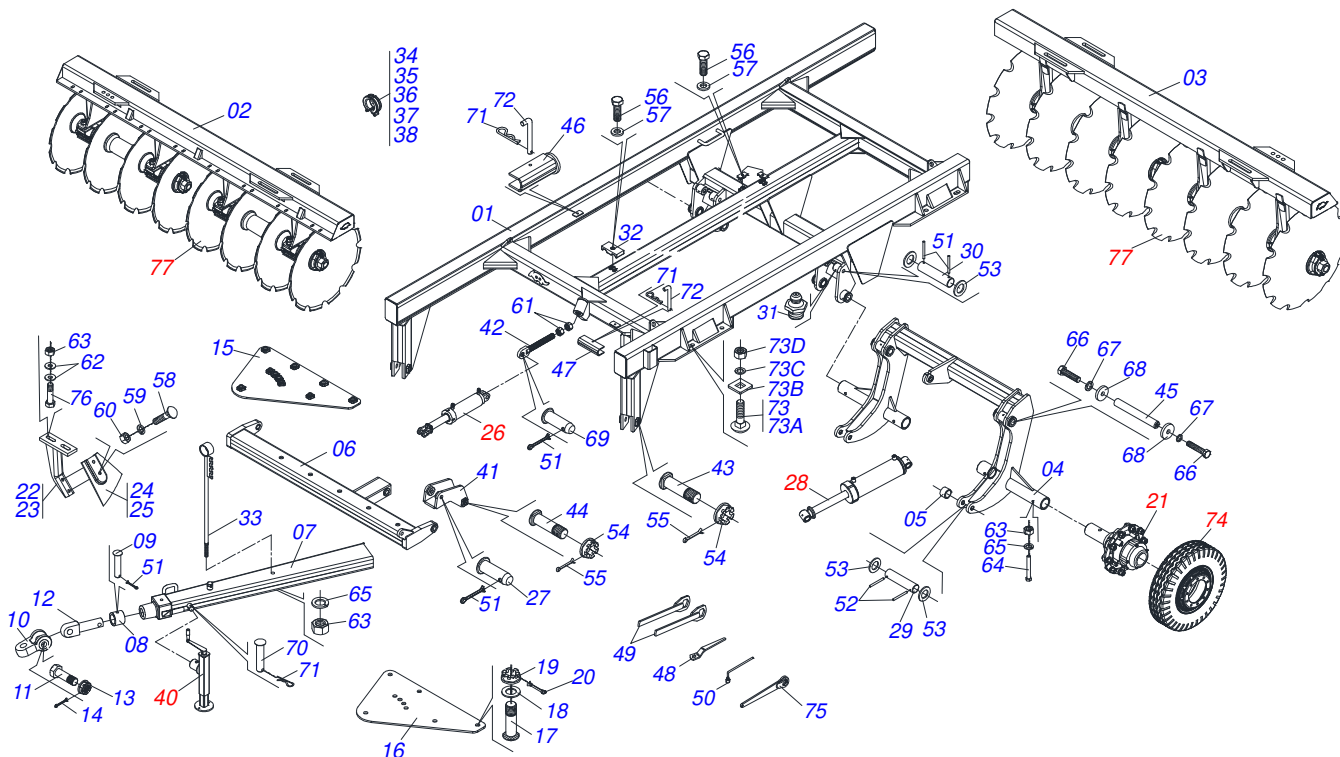
Item	Code	Description	See page	12 14
01	0511067822	FRAME		01 01
02	0511067823	FRONT FRAME - 12D		01 00
02.	0521062884	FRONT FRAME - 14D		00 01
03	0511067824	REAR FRAME - 12D		01 00
03.	0521062885	REAR FRAME - 14D		00 01
04	0521068368	CARRYING-WHEELS SUPPORT		01 01
05	0511019920	SLEEVE 32,70 X 38,80 X 25,40		04 04
06	0511067827	1100 OFFSET BAR		01 01
07	0511045200	ASSY TRACTION BAR WITH HITCH 3		01 01
07A	0511064669	DRAWBAR ASSY		01 01
07B	0502040263	ANEL TRAVA ENGATE		01 01
07C	0561017306	COUPLING SHAFT		01 01
07D	0503010523	1/4" X 2" COTTERPIN		01 01
07E	0502040293	YH-90 CLEVIS		01 01
07F	0511067199	2" BOLT		01 01
07G	0502040264	DRAWBOLT		01 01
07H	0502040558	2" CASTLE NUT		01 01
07I	0503010074	3/8 X 0,15" COTTERPIN		01 01
07J	0511067825	UPPER PLATE		01 01
07K	0511067826	LOWER PLATE		01 01
07L	0521011880	37,5 X 242 COUPLING SHAFT		05 05
07M	0501012916	FLAT WASHER 38,50 X 66 X 4,75 ZN		05 05
07N	0501011301	1.1/2 UNC 6FPP 2.5/16 NUT		05 05
07O	0503010010	1/4" X 2.1/2" COTTERPIN		05 05
08	0501057120	WHEEL WITHOUT TIRE		02 02
09	0503061582	TIRE WHEELS		02 02
10	1902010477	UPPER CLAMP BODY		04 04
11	0501010333	1.3/4" NUT		02 02
12	0541010763	FLAT WASHER		48 48
13	0503011198	C3/4" X 6" SCREW		04 04
14	0501010500	3/4"X3"BOLT		24 24



## 12-14D - FRAME ASSY

0909093926

Item	Code	Description	See page	12 14
15	0521012538	1.2" X 3.5" COUPLING SHAFT		01 01
16	0561014251	COUPLING SHAFT		01 01
17	0503030285	HITCH PIN CLIP		04 04
18	0541016844	FIXER LOCK		03 03
19	0503011250	1" X 2" BOLT		04 04
20	0503010012	1" SPRING WASHER		04 04
21	0511064771	FRONT SCRAPER SUPPORT		08 08
22	0521013678	FRONT CLEANER		06 06
23	0521013679	REAR CLEANER		06 06
24	0511058419	HYDRAULIC CYLINDER 50,80 X 101,60 X 514 X 206	5	01 01
25	0521051832	HYDRAULIC CYLINDER 53,98 X 114,30 X 654 X 346	6	02 02
26	0531019171	1.25" X 7" COUPLING SHAFT		01 01
27	0503010523	1/4" X 2" COTTERPIN		02 02
28	0531018101	1.2" X 6.3" PIVOT SHAFT		02 02
29	0531018105	1.2" X 11.8" PIVOT SHAFT		02 02
30	0503010002	1800 GREASE FITTING		15 15
31	0521062849	HOSE HOLDER ASSY		01 01
32	0511048088	DRAWBAR JACK	8	01 01
33	0501047895	ROD STOP		09 09
34	0501047885	ROD STOP		03 03
35	0501047886	ROD STOP		03 03
36	0501047887	ROD STOP		03 03
37	0501047885	ROD STOP		06 06
38	0503010014	3/4" NUT		08 08
39	0503010023	3/4" SPRING WASHER		28 28
40	0511064656	DRAWBAR PIVOT		01 01
41	0511064433	REGULATOR SPINDLE 1-3/4		01 01
42	0521063989	50,8 X 380 AXLE WITH LOCK		02 02
43	0521012053	1.5" X 8.6" AXLE		01 01
44	0531018062	COUPLING SHAFT		02 02
45	0561016693	TRANSPORT LOCK		02 02
46	0551010332	TRANSPORT LOCK		01 01
47	0501011432	1-1/2" AND 1-5/8 GANG BOLT WRENCH		01 01
48	0501061044	2-1/8" AND 2-1/2" CABLE FLAT WRENCH		02 02
49	0503016137	1-1/4" WRENCH CABLE CYLINDER		01 01
50	0521062858	1.1/4" WRENCH NUT		01 01
51	0503011877	0.3" X 2.4" SPRING PIN		08 08
52	0501017779	32 X 60 X 4.75 FLAT WASHER		04 04
53	0501011301	1.1/2 UNC 6FPP 2.5/16 NUT		03 03
54	0503010010	1/4" X 2.1/2" COTTERPIN		03 03
55	0503011135	BOLT		04 04
56	0503010180	7/16" SPRING WASHER		04 04
57	0503012195	5/8" NUT		24 24
58	0503010027	5/8" SPRING WASHER		32 32
59	0503010013	5/8" NUT		32 32
60	0521011565	FLAT WASHER		04 04
61	0501041301	1-1/4" X 5-3/4" ASSY BOLT		08 08
61A	0501015348	1-1/4" X 3-3/4" BOLT		08 08
61B	0501810954	BOLT		08 08
61C	0531010713	FLAT WASHER		08 08
61D	0501010087	1.1/4" NUT		08 08
62	0909094047	12/14 - DISC GANG SECTION	10	01 01



Item	Code	Description	See page	QT
01	0511067123	FRAME GASPCR EHD 10020 S-0705		01
02	0511066942	FRONT FRAME - 16D		01
03	0511066943	REAR FRAME - 16D		01
04	0521066478	CARRYNG-WHEELS		01
05	0511019920	SLEEVE 32,70 X 38,80 X 25,40		04
06	0511066580	2135 OFFSET BAR		01
07	0511064669	DRAWBAR ASSY		01
08	0502040263	ANEL TRAVA ENGATE		01
09	0561017306	COUPLING SHAFT		01
10	0502040293	YH-90 CLEVIS		01
11	0511067199	2" BOLT		01
12	0502040264	DRAWBOLT		01
13	0502040558	2" CASTLE NUT		01
14	0503010074	3/8 X 0,15" COTTERPIN		01
15	0511064659	UPPER PLATE		01
16	0511064658	LOWER PLATE		01
17	0521011880	37,5 X 242 COUPLING SHAFT		06
18	0501012916	FLAT WASHER 38,50 X 66 X 4,75 ZN		06
19	0501011301	1.1/2 UNC 6FPP 2.5/16 NUT		06
20	0503010010	1/4" X 2.1/2" COTTERPIN		06
21	0501057120	WHEEL WITHOUT TIRE		04
22	0511064771	FRONT SCRAPER SUPPORT		08
23	0511064772	REAR SCRAPER SUPPORT		08
24	0521013678	FRONT CLEANER		08
25	0521013679	REAR CLEANER		08
26	0511058419	HYDRAULIC CYLINDER 50,80 X 101,60 X 514 X 206	5	01
27	0531019171	1.25" X 7" COUPLING SHAFT		01
28	0521051832	HYDRAULIC CYLINDER 53,98 X 114,30 X 654 X 346	6	02
29	0531018101	1.2" X 6.3" PIVOT SHAFT		02
30	0531018105	1.2" X 11.8" PIVOT SHAFT		02
31	0503010002	1800 GREASE FITTING		10

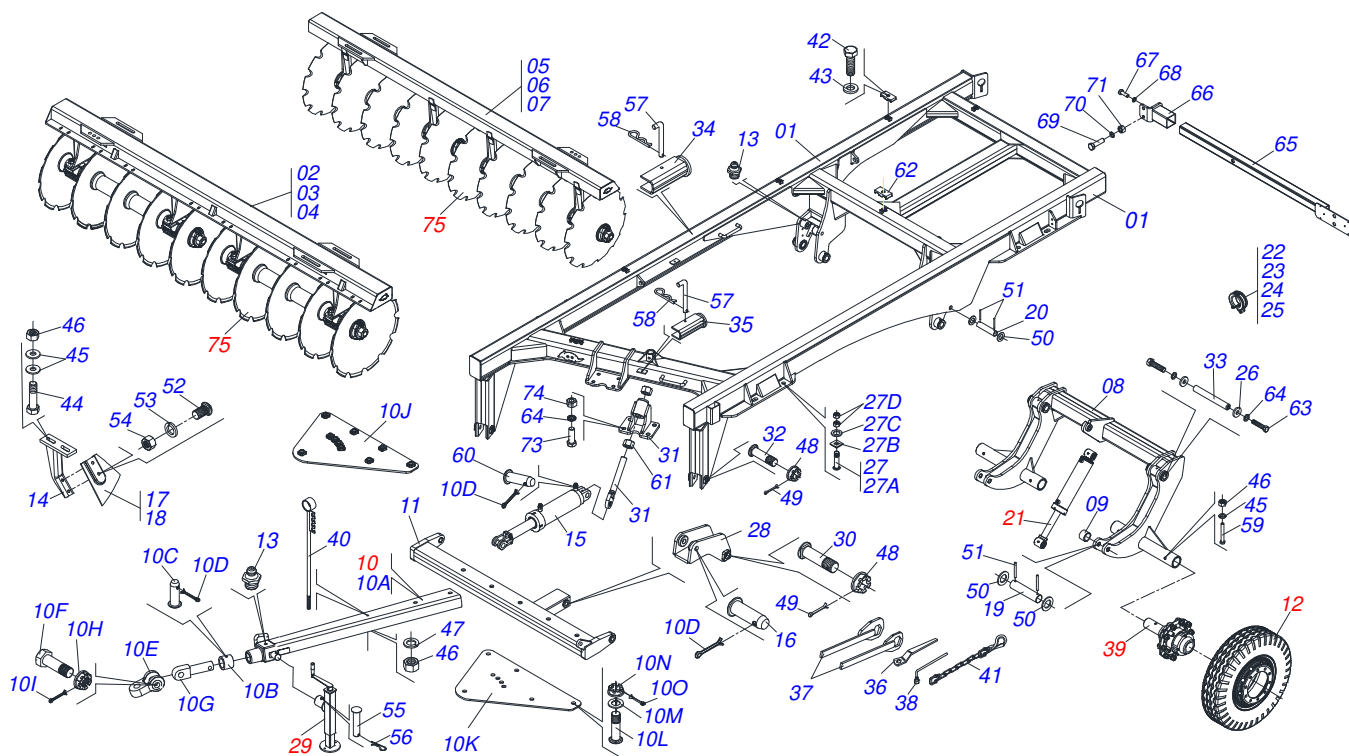


## 16D - FRAME ASSY

0909093927

Item	Code	Description	See page	QT
32	0502012702	BODY SUPPORT CLAMP		02
33	0521062849	HOSE HOLDER ASSY		01
34	0501047895	ROD STOP		03
35	0501047885	ROD STOP		03
36	0501047886	ROD STOP		03
37	0501047887	ROD STOP		03
38	0501047885	ROD STOP		03
40	0511048088	DRAWBAR JACK	8	01
41	0511064656	DRAWBAR PIVOT		01
42	0511064433	REGULATOR SPINDLE 1-3/4		01
43	0521063989	50,8 X 380 AXLE WITH LOCK		02
44	0521012053	1.5" X 8.6" AXLE		01
45	0531018062	COUPLING SHAFT		02
46	0511066639	TRANSPORT LOCK		02
47	0551010332	TRANSPORT LOCK		01
48	0501011432	1-1/2" AND 1-5/8 GANG BOLT WRENCH		01
49	0501061044	2-1/8" AND 2-1/2" CABLE FLAT WRENCH		02
50	0503016137	1-1/4" WRENCH CABLE CYLINDER		01
51	0503010523	1/4" X 2" COTTERPIN		02
52	0503011877	0.3" X 2.4" SPRING PIN		08
53	0501017779	32 X 60 X 4.75 FLAT WASHER		08
54	0501011301	1.1/2 UNC 6FPP 2.5/16 NUT		03
55	0503010010	1/4" X 2.1/2" COTTERPIN		03
56	0503012555	SCREW 7/16 UNC X 2 CS RT G.7 ZN		04
57	0503010180	7/16" SPRING WASHER		04
58	0503012195	5/8" NUT		32
59	0503010027	5/8" SPRING WASHER		32
60	0503010013	5/8" NUT		32
61	0501010333	1.3/4" NUT		02
62	0541010763	FLAT WASHER		64
63	0503010014	3/4" NUT		37
64	0503011198	C3/4" X 6" SCREW		04
65	0503010023	3/4" SPRING WASHER		05
66	0503011250	1" X 2" BOLT		04
67	0503010012	1" SPRING WASHER		04
68	0521011565	FLAT WASHER		04
69	0521012538	1.2" X 3.5" COUPLING SHAFT		01
70	0561014251	COUPLING SHAFT		01
71	0503030285	HITCH PIN CLIP		04
72	0541016844	FIXER LOCK		03
73	0501041301	1-1/4"X 5-3/4" ASSY BOLT		08
73A	0501810954	BOLT		08
73B	0501010953	1-1/4" SQUARE WASHER		08
73C	0531010713	FLAT WASHER		08
73D	0501010087	1.1/4" NUT		08
74	0503061582	TIRE WHEELS		04
75	0521062858	1.1/4" WRENCH NUT		01
76	0501010500	3/4"X3"BOLT		32
77	0909091436	16D - DISC GANG SECTION	11	01





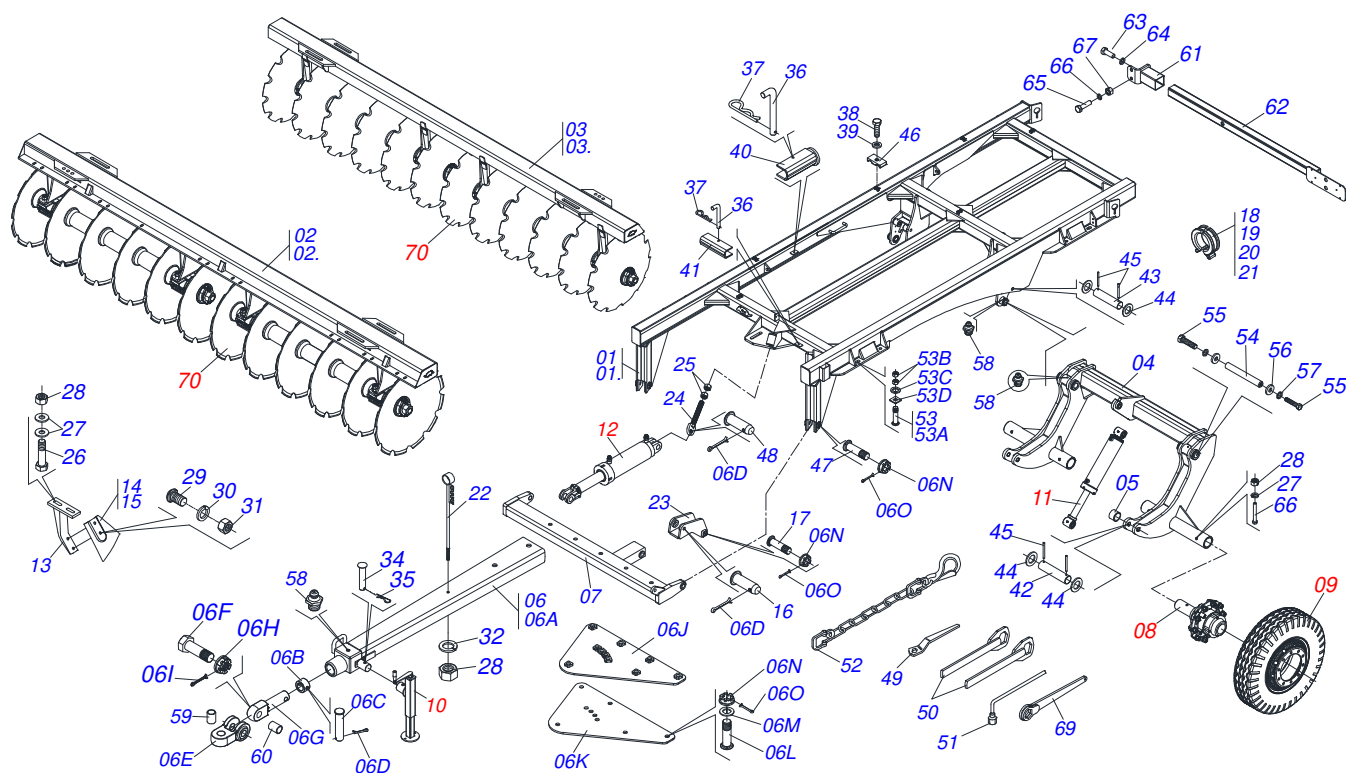
Item	Code	Description	See page	18	20	22
01	0511067123	FRAME GASPCR EHD 10020 S-0705		01	01	01
02	0521062875	FRONT FRAME - 18D		01	00	00
03	0521062873	FRONT FRAME - 20D		00	01	00
04	0521062863	FRONT FRAME - 22D		00	00	01
05	0521062876	REAR FRAME - 18D		01	00	00
06	0521062874	REAR FRAME - 20D		00	01	00
07	0521062865	REAR FRAME - 22D		00	00	01
08	0521066478	CARRYNG-WHEELS		01	01	01
09	0511019920	SLEEVE 32,70 X 38,80 X 25,40		04	04	04
10	0511041592	DRAWBAR ASSY		01	01	01
10A	0511064669	DRAWBAR ASSY		01	01	01
10B	0502040263	ANEL TRAVA ENGATE		01	01	01
10C	0561017306	COUPLING SHAFT		01	01	01
10D	0503010523	1/4" X 2" COTTERPIN		03	03	03
10E	0502040293	YH-90 CLEVIS		01	01	01
10F	0511067199	2" BOLT		01	01	01
10G	0502040264	DRAWBOLT		01	01	01
10H	0502040558	2" CASTLE NUT		01	01	01
10I	0503010074	3/8 X 0,15" COTTERPIN		01	01	01
10J	0511064659	UPPER PLATE		01	01	01
10K	0511064658	LOWER PLATE		01	01	01
10L	0521011880	37,5 X 242 COUPLING SHAFT		06	06	06
10M	0501012916	FLAT WASHER 38,50 X 66 X 4,75 ZN		06	06	06
10N	0501011301	1.1/2 UNC 6FPP 2.5/16 NUT		06	06	06
10O	0503010010	1/4" X 2.1/2" COTTERPIN		06	06	06
11	0511066580	2135 OFFSET BAR		01	01	01
12	0503061582	TIRE WHEELS		04	04	04
13	0503010002	1800 GREASE FITTING		11	11	11
14	0511064771	FRONT SCRAPER SUPPORT		18	20	22
15	0511058419	HYDRAULIC CYLINDER 50,80 X 101,60 X 514 X 206 5		01	01	01
16	0531019171	1.25" X 7" COUPLING SHAFT		01	01	01



Item	Code	Description	See page	18	20	22
17	0521013678	FRONT CLEANER		09	10	11
18	0521013679	REAR CLEANER		09	10	11
19	0531018101	1.2" X 6.3" PIVOT SHAFT		02	02	02
20	0531018105	1.2" X 11.8" PIVOT SHAFT		02	02	02
21	0511048619	HYDRAULIC CYLINDER		02	02	02
22	0501047895	ROD STOP		09	09	09
23	0501047885	ROD STOP		09	09	09
24	0501047886	ROD STOP		03	03	03
25	0501047887	ROD STOP		03	03	03
26	0521011565	FLAT WASHER		04	04	04
27	0501041301	1-1/4" X 5-3/4" ASSY BOLT		08	08	08
27A	0501010954	1-1/4" X 5-3/4" BOLT		08	08	08
27B	0501010953	1-1/4" SQUARE WASHER		08	08	08
27C	0531810713	FLAT WASHER		08	08	08
27D	0501010087	1.1/4" NUT		16	16	16
28	0511064656	DRAWBAR PIVOT		01	01	01
29	0511048088	DRAWBAR JACK	8	01	01	01
30	0521012053	1.5" X 8.6" AXLE		01	01	01
31	0511064433	REGULATOR SPINDLE 1-3/4		01	01	01
32	0521063989	50,8 X 380 AXLE WITH LOCK		02	02	02
33	0531018062	COUPLING SHAFT		02	02	02
34	0561016693	TRANSPORT LOCK		02	02	02
35	0551010332	TRANSPORT LOCK		01	01	01
36	0501011432	1-1/2" AND 1-5/8 GANG BOLT WRENCH		01	01	01
37	0501061044	2-1/8" AND 2-1/2" CABLE FLAT WRENCH		02	02	02
38	0503016137	1-1/4" WRENCH CABLE CYLINDER		01	01	01
39	0501057120	WHEEL WITHOUT TIRE		04	04	04
40	0521062849	HOSE HOLDER ASSY		01	01	01
41	0503013150	1300 X 3/8 CHAIN		01	01	01
42	0503012555	SCREW 7/16 UNC X 2 CS RT G.7 ZN		04	04	04
43	0503010180	7/16" SPRING WASHER		04	04	04
44	0501010500	3/4" X 3" BOLT		36	40	44
45	0541010763	FLAT WASHER		72	80	88
46	0503010014	3/4" NUT		41	45	49
47	0503010023	3/4" SPRING WASHER		05	05	05
48	0501011301	1.1/2 UNC 6FPP 2.5/16 NUT		03	03	03
49	0503010010	1/4" X 2.1/2" COTTERPIN		03	03	03
50	0501017779	32 X 60 X 4.75 FLAT WASHER		08	08	08
51	0503011877	0.3" X 2.4" SPRING PIN		08	08	08
52	0503012195	5/8" NUT		36	40	44
53	0503010027	5/8" SPRING WASHER		36	40	44
54	0503010013	5/8" NUT		36	40	44
55	0561014251	COUPLING SHAFT		01	01	01
56	0503030012	HITCH PIN CLIP		01	01	01
57	0541016844	FIXER LOCK		03	03	03
58	0503030285	HITCH PIN CLIP		03	03	03
59	0503011198	C3/4" X 6" SCREW		04	04	04
60	0521012538	1.2" X 3.5" COUPLING SHAFT		01	01	01
61	0501010333	1.3/4" NUT		02	02	02
62	0502012702	BODY SUPPORT CLAMP		04	04	04
63	0503011250	1" X 2" BOLT		04	04	04
64	0503010012	1" SPRING WASHER		04	04	04
65	0521066443	SUPPORT FIXER LANTERN		02	02	02
66	0521066624	FIXER SUPPORT LANTERN		02	02	02
67	0501010098	3/4" UNC BOLT		02	02	02
68	0503010023	3/4" SPRING WASHER		02	02	02
69	0503011082	C1/2" X 1.3/4" SCREW		04	04	04
70	0503010019	1/2" SPRING WASHER		04	04	04
71	0503010060	1/2" NUT		04	04	04



Item	Code	Description	See page	18	20	22
72	0521066580	CYLINDER FIXER		01	01	01
73	0501010276	BOLT		04	04	04
74	0501010059	1.5/8 NUT		04	04	04
75	0909094308	18/20/22/24/26 DISC GANG SECTION	12	01	01	01



Item	Code	Description	See page	24	26
01	0511067123	FRAME GASPCR EHD 10020 S-0705		01	00
01.	0521062952	FRAME GASPCR-EHD 10020 26D		00	01
02	0521063932	FRONT FRAME - 24D		01	00
02.	0521062950	FRONT FRAME		00	01
03	0521063942	REAR FRAME - 24D		01	00
03.	0521062951	REAR FRAME		00	01
04	0511066611	LEFT CARRYING-WHEELS SUPPORT		01	00
05	0511019920	SLEEVE 32,70 X 38,80 X 25,40		04	04
06	0521041823	ASSY TRACTION BAR (PIN 3)		01	01
06.	0511041592	DRAWBAR ASSY		01	01
06A	0511064669	DRAWBAR ASSY		01	01
06B	0502040263	ANEL TRAVA ENGATE		01	01
06C	0561017306	COUPLING SHAFT		01	01
06D	0503010523	1/4" X 2" COTTERPIN		03	03
06E	0502040293	YH-90 CLEVIS		01	01
06F	0511067199	2" BOLT		01	01
06G	0502040264	DRAWBOLT		01	01
06H	0502040558	2" CASTLE NUT		01	01
06I	0503010074	3/8 X 0,15" COTTERPIN		01	01
06J	0511064659	UPPER PLATE		01	01
06K	0511064658	LOWER PLATE		01	01
06L	0521011880	37,5 X 242 COUPLING SHAFT		06	06
06M	0501012916	FLAT WASHER 38,50 X 66 X 4,75 ZN		06	06
06N	0501011301	1.1/2 UNC 6FPP 2.5/16 NUT		09	09
06O	0503010010	1/4" X 2.1/2" COTTERPIN		09	09
07	0511066580	2135 OFFSET BAR		01	01
08	0501057120	WHEEL WITHOUT TIRE		04	04
09	0503061582	TIRE WHEELS		04	04
10	0511048088	DRAWBAR JACK	8	01	01
11	0521051832	HYDRAULIC CYLINDER 53,98 X 114,30 X 654 X 346	6	02	02
12	0511058521	50,80 X 101,60 X 527 X 165 HYDRAULIC CYLINDER	7	01	01



Item	Code	Description	See page	24 26
13	0511064771	FRONT SCRAPER SUPPORT		24 26
14	0521013678	FRONT CLEANER		12 13
15	0521013679	REAR CLEANER		12 13
16	0531019171	1.25" X 7" COUPLING SHAFT		01 01
17	0521012053	1.5" X 8.6" AXLE		01 01
18	0501047895	ROD STOP		09 09
19	0501047885	ROD STOP		09 09
20	0501047886	ROD STOP		03 03
21	0501047887	ROD STOP		03 03
22	0521062849	HOSE HOLDER ASSY		01 01
23	0511064656	DRAWBAR PIVOT		01 01
24	0511064433	REGULATOR SPINDLE 1-3/4		01 01
25	0501010333	1.3/4" NUT		02 02
26	0501010500	3/4"X3"BOLT		48 52
27	0541010763	FLAT WASHER		96 104
28	0503010014	3/4" NUT		49 57
29	0503012195	5/8" NUT		44 52
30	0503010027	5/8" SPRING WASHER		64 68
31	0503010013	5/8" NUT		60 68
32	0503010023	3/4" SPRING WASHER		05 05
33	0503011198	C3/4" X 6" SCREW		04 04
34	0561014251	COUPLING SHAFT		01 01
35	0503030012	HITCH PIN CLIP		01 01
36	0541016844	FIXER LOCK		03 03
37	0503030285	HITCH PIN CLIP		03 03
38	0503012555	SCREW 7/16 UNC X 2 CS RT G.7 ZN		04 04
39	0503010180	7/16" SPRING WASHER		04 04
40	0551010332	TRANSPORT LOCK		01 01
41	0561016693	TRANSPORT LOCK		02 02
42	0531018101	1.2" X 6.3" PIVOT SHAFT		02 02
43	0531018105	1.2" X 11.8" PIVOT SHAFT		02 02
44	0501017779	32 X 60 X 4.75 FLAT WASHER		08 08
45	0503011877	0.3" X 2.4" SPRING PIN		08 08
46	0502012702	BODY SUPPORT CLAMP		04 04
47	0521063989	50,8 X 380 AXLE WITH LOCK		02 02
48	0521012538	1.2" X 3.5" COUPLING SHAFT		01 01
49	0501011432	1-1/2" AND 1-5/8 GANG BOLT WRENCH		01 01
50	0501061044	2-1/8" AND 2-1/2" CABLE FLAT WRENCH		02 02
51	0503016137	1-1/4" WRENCH CABLE CYLINDER		01 01
52	0503013150	1300 X 3/8 CHAIN		01 01
53	0501041301	1-1/4"X 5-3/4" ASSY BOLT		16 20
53A	0501010954	1-1/4" X 5-3/4" BOLT		09 09
53B	0501010087	1.1/4" NUT		18 18
53C	0531810713	FLAT WASHER		09 09
53D	0501010953	1-1/4" SQUARE WASHER		09 09
54	0531018062	COUPLING SHAFT		02 02
55	0503011250	1" X 2" BOLT		04 04
56	0521011565	FLAT WASHER		04 04
57	0503010012	1" SPRING WASHER		04 04
58	0503010002	1800 GREASE FITTING		15 15
59	0571013174	SLEEVE		01 01
60	0571013175	SLEEVE		01 01
62	0521066443	SUPPORT FIXER LANTERN		02 02
63	0521066624	FIXER SUPPORT LANTERN		02 02
64	0501010098	3/4" UNC BOLT		02 02
65	0503010023	3/4" SPRING WASHER		02 02
66	0503011082	C1/2" X 1.3/4" SCREW		04 04
67	0503010019	1/2" SPRING WASHER		04 04
68	0503010060	1/2" NUT		04 04

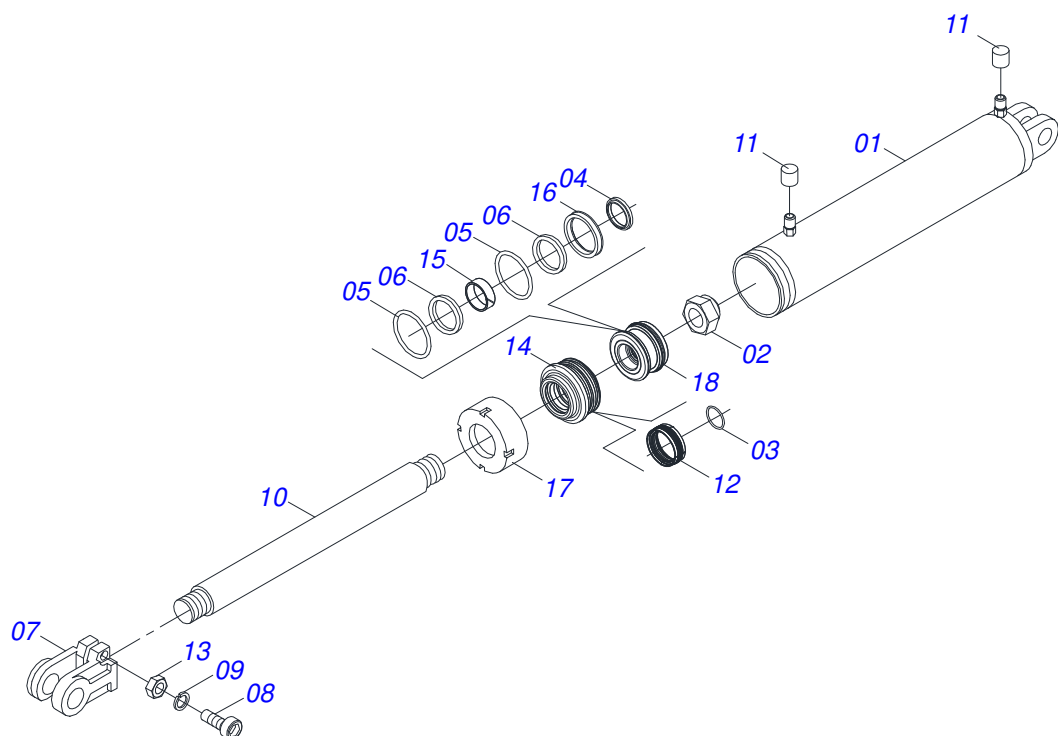


**GASPCR EHD 10020 - HYDRAULICS - AXIS 2.1/2" -  
24/26D - FRAME ASSY**

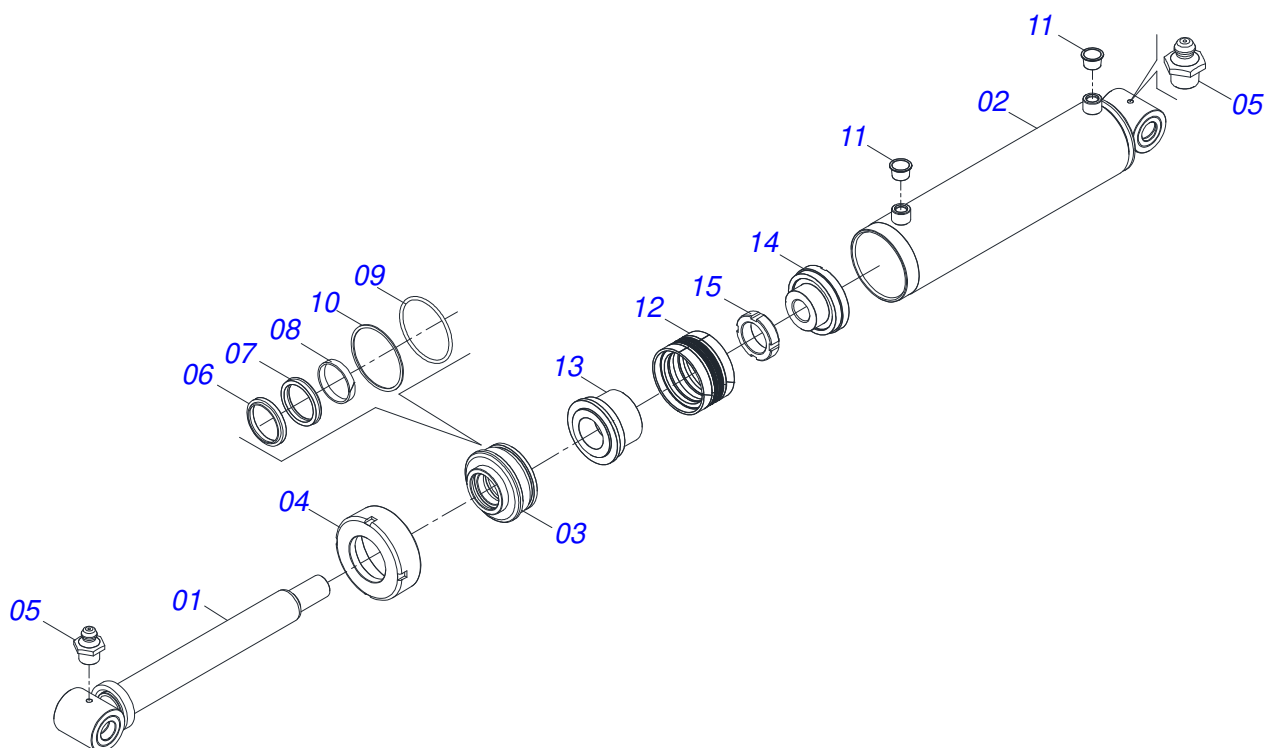
Page 4

0909093932

<b>Item</b>	<b>Code</b>	<b>Description</b>	<b>See page</b>	<b>24 26</b>
69	0521062858	1.1/4" WRENCH NUT		01 01
70	0909094308	18/20/22/24/26 DISC GANG SECTION	12	01 01

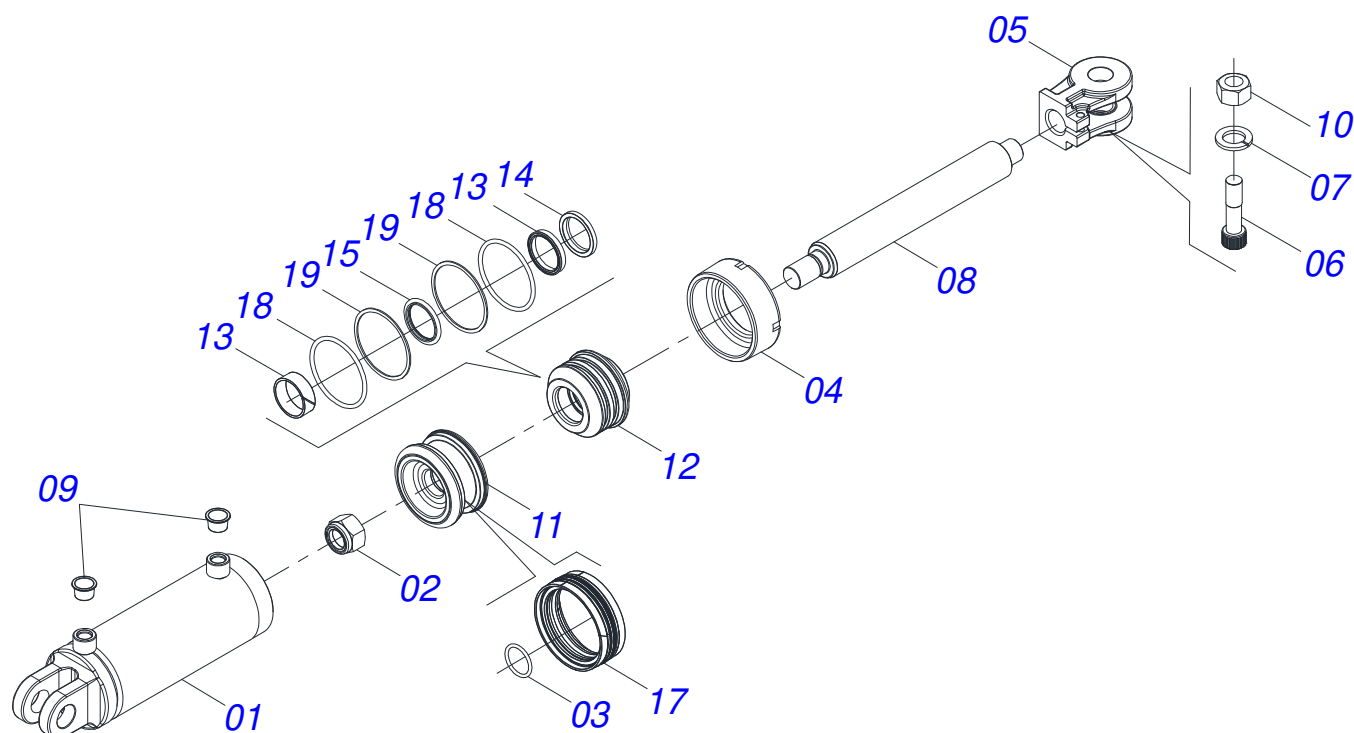


Item	Code	Description	See page	QT
01	0511061336	101,6 X 398 CYLINDER CASE		01
02	0503010817	1.1/4" SELF LOCKING NUT		01
03	0503010345	2-218 N 3006-9B O'RING		01
04	0503015636	SCRAPER SEAL		01
05	0503010338	2-342 N 3006-9B O'RING		02
06	0503011061	8-342 BACK-UP RING		02
07	0502040747	32.54 CLEVIS CLAMP		01
08	0503011094	3/8" X 2" BOLT		01
09	0503011443	3/8" SPRING WASHER		01
10	0521010422	HYDRAULIC CYLINDER TURNBUCKLE		01
11	0503030384	CON PLUG N-001		02
12	0503015633	SELEMASTER SEALING		01
13	0503010026	3/8" NUT		01
14	0581010678	50,80 X 101 RING SUPPORT		01
15	0503018025	RING GUIDE		01
16	0503018026	1870-2000-375 B GASKET		01
17	0502012822	101.60 END CAP		01
18	0502012842	50,80 X 101,60 PISTON		01
19	0511032511R	HYDRAULIC CYLINDER REPAIR KIT		01



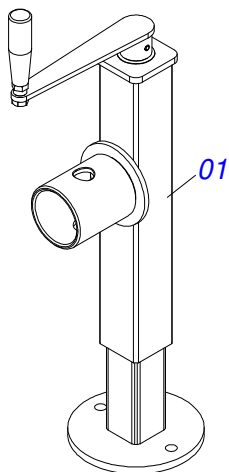
Item	Code	Description	See page	QT
01	0521061684	56,98 X 590,50 TURNBUCKLE		01
02	0521061685	114,30 X 500 CYLINDER CASE		01
03	0502012644	RING SUPPORT		01
04	0502011222	0.56" END CAP		01
05	0503010002	1800 GREASE FITTING		02
06	0503015715	SCRAPER SEALING		01
07	0503015642	U-CUP SEALING		01
08	0503015641	WEAR RING		00
09	0503011892	O' RING, 2-346 N 3006-9B		01
10	0503011893	BACK-UP RING, 8-346		01
11	0503030384	CON PLUG N-001		02
12	0503015640	SEALING SELEMASTER		01
13	0561016578	PISTON BODY		01
14	0581015283	BODY		01
15	0503819100	SCREW		01
16	0501038027	HYDRAULIC CYLINDER REPAIR KIT		01



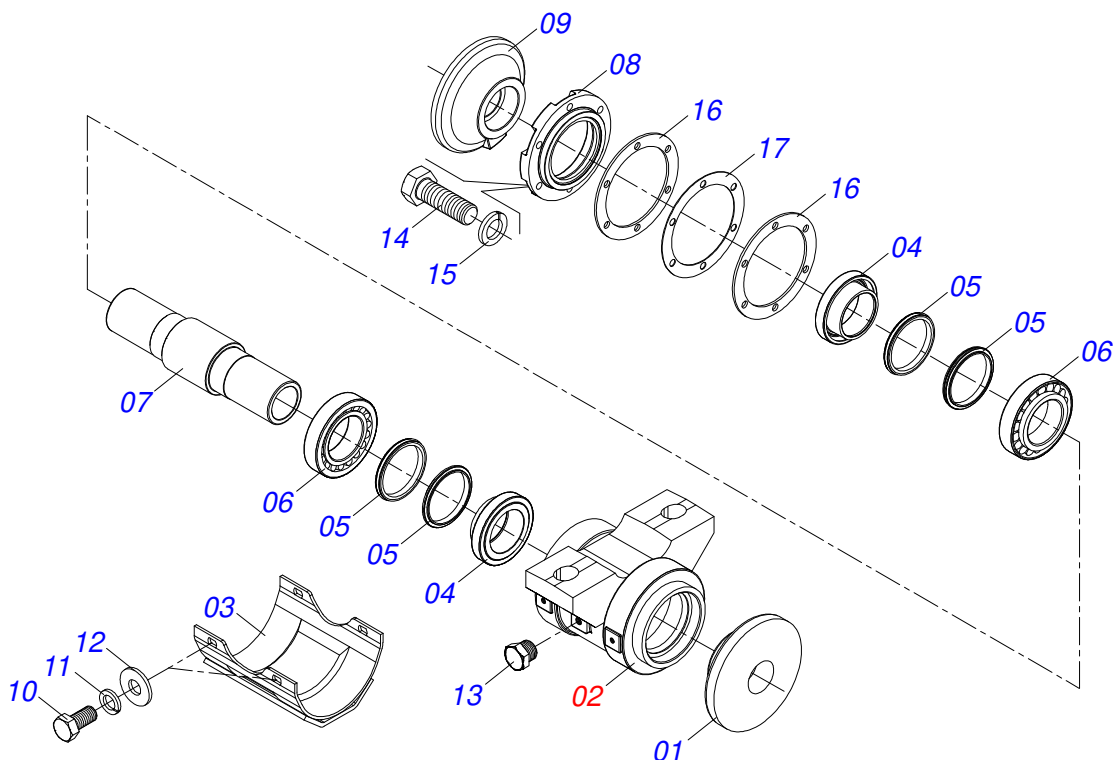


Item	Code	Description	See page	QT
01	0521066698	CYLINDER CASE ASSY		01
02	0503010817	1.1/4" SELF LOCKING NUT		01
03	0503018029	2-217 O'RING		01
04	0502012822	101.60 END CAP		01
05	0502040747	32.54 CLEVIS CLAMP		01
06	0503011094	3/8" X 2" BOLT		01
07	0503011443	3/8" SPRING WASHER		01
08	0581011007	HYDRAULIC CYLINDER TURNBUCKLE		01
09	0503030384	CON PLUG N-001		02
10	0503010026	3/8" NUT		01
11	0502012820	50.80 X 101.60 PISTON		01
12	0502012821	50.80 X 101.60 RING SUPPORT		01
13	0503018025	RING GUIDE		01
14	0503010039	D-2000 SCRAPER RING		01
15	0503018026	1870-2000-375 B GASKET		01
16	0503018024	RING BS		01
17	0503015633	SELEMASTER SEALING		01
18	0503010338	2-342 N 3006-9B O'RING		02
19	0503011061	8-342 BACK-UP RING		02
20	0511032211R	HYDRAULIC CYLINDER REPAIR KIT		01

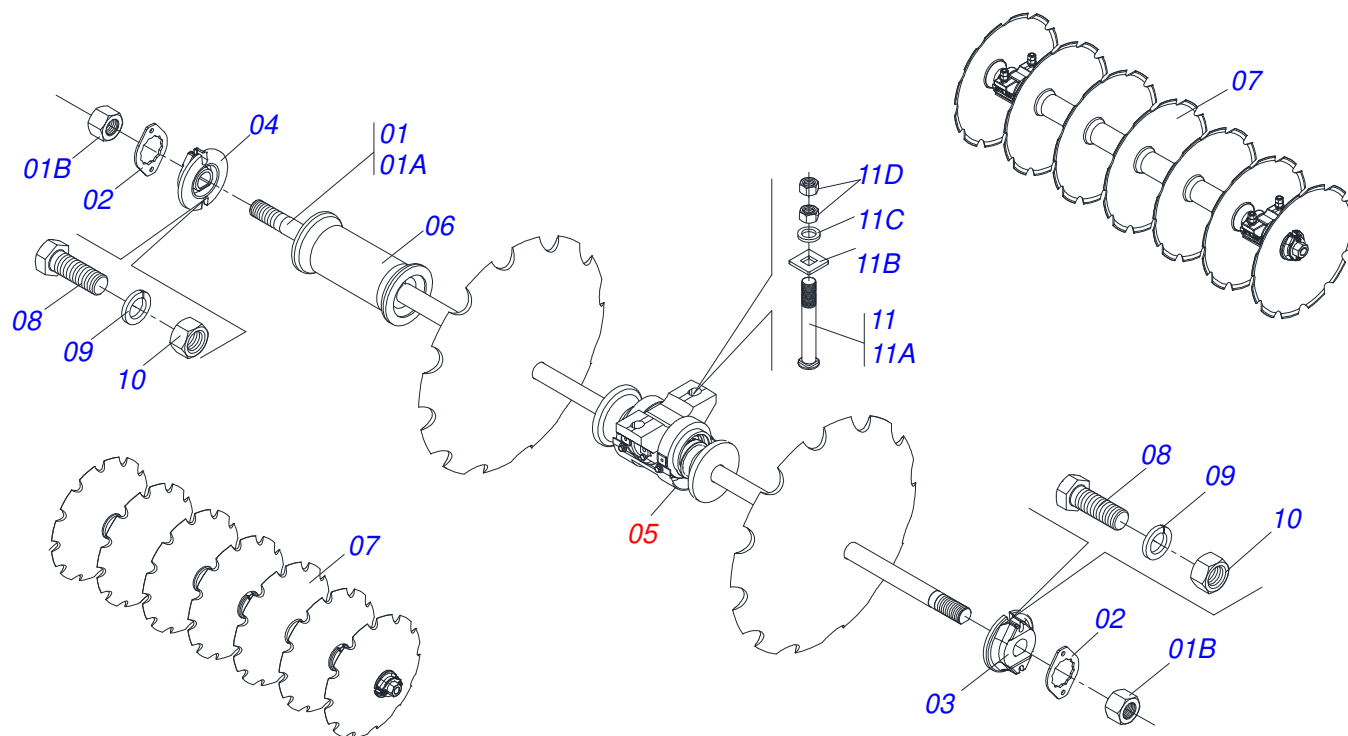
DRAWBAR JACK



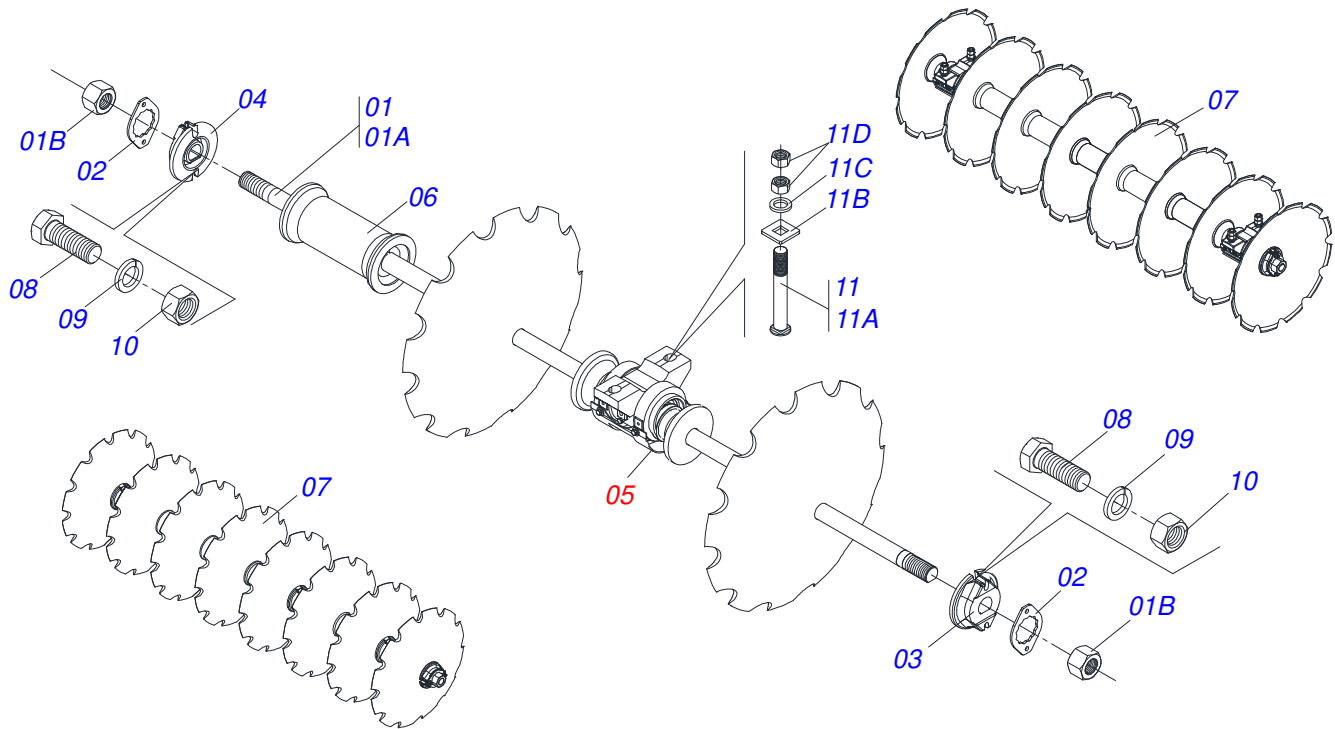
Item	Code	Description	See page	QT
01	0503062227	DRAWBAR JACK		01



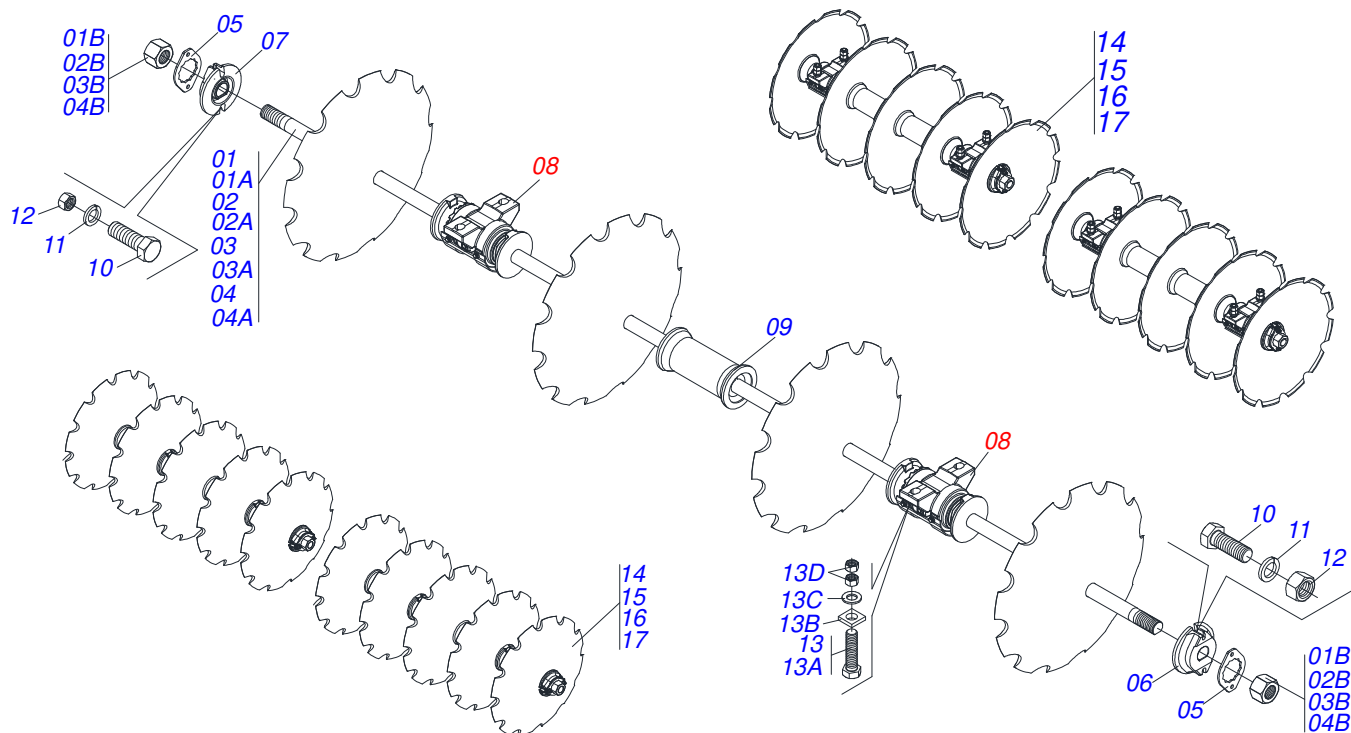
Item	Code	Description	See page	QT
01	0502012846	BEARING INNER FLANGE		01
02	0502012415	HOUSING BEARING		01
03	0521062889	PROTECTION CAP		01
04	0502040119	SEAL RETAINER		02
05	0503030029	SEAL # LP JB-259		04
06	0503013243	32218 ROLLER BEARING		02
07	0502012226	425 BEARING AXLE		01
08	0502010644	HOUSING CAP DM		01
09	0502012847	BEARING OUTER FLANGE		01
10	0503010834	1/2 X 1 BOLT		04
11	0503010019	1/2" SPRING WASHER		04
12	0511017302	FLAT WASHER		04
13	0503010856	OIL PLUG		02
14	0501010063	1/2" X 1-1/2" BOLT		06
15	0503011440	SPRING WASHER		06
16	0503030537	8.3" X 6.3" X 0.01" JOINT		02
17	0503030687	8.3" X 6.3" X 0.004" JOINT		01



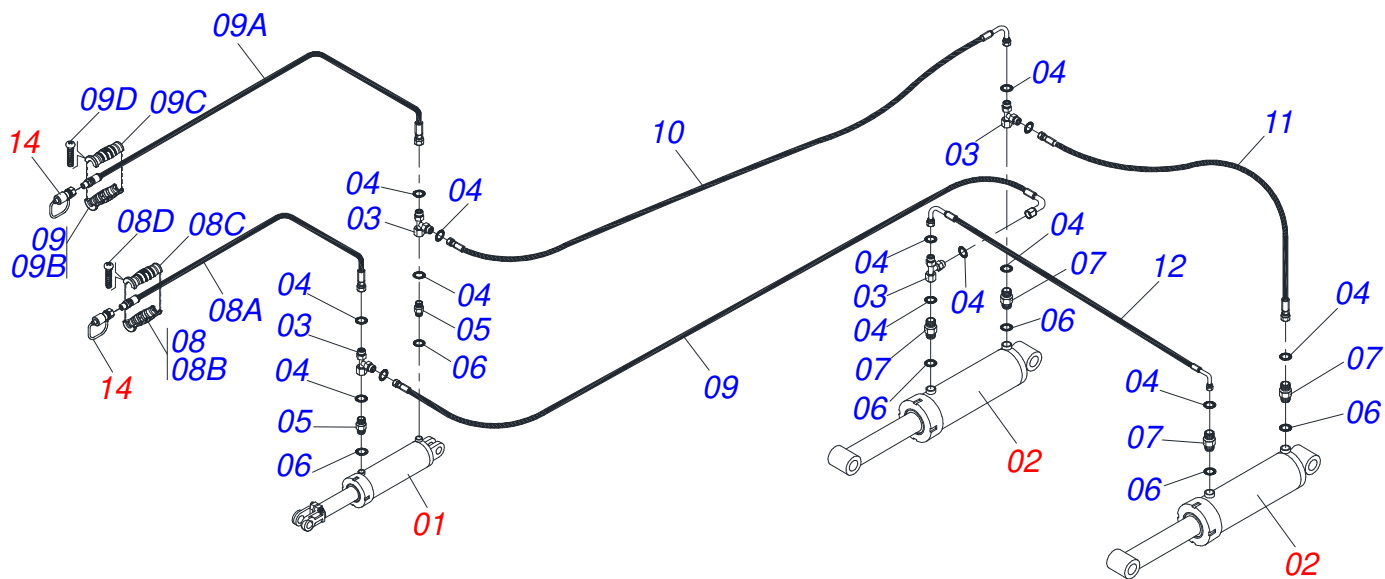
Item	Code	Description	See page	12 14
01	0511044953	2-1/2" X 2815 AXLE		02 00
01.	0521040419	AXLE WITH NUTS		00 02
01A	0551010438	2.1/2" X 2815 AXLE		02 00
01A.	0571010567	2-1/2" X 3320 AXLE		00 02
01B	0502040064	2.1/2"SNC X 70 99 NUT		02 02
02	0541010368	NUT LOCK		04 04
03	0502010593	2-1/2" EXTERNAL AXLE WASHER		02 02
04	0502010592	2-1/2" INNER AXLE WASHER		02 02
05	0511042200	495MM X 2-1/2" RD. OIL BATH BEARING	9	04 06
06	0502012414	SPACER		06 06
07	0602048051	36" X 12MM NOTCHED DISC BLADE		06 07
07.	0602052022	42" X 12MM NOTCHED DISK		00 07
07..	0602050002	39 X 12 NOTCHED DISC BLADE		06 07
07...	0602051017	NOTCHED DISK		07 00
08	0503010232	5/8" X 1.3/4" BOLT		08 08
09	0503010027	5/8" SPRING WASHER		32 32
10	0503010013	5/8" NUT		32 32
11	0521040349	1-1/4" X 5.3/4" BOLT		08 08
11A	0501041301	1-1/4"X 5-3/4" ASSY BOLT		08 08
11B	0501010953	1-1/4" SQUARE WASHER		08 08
11C	0531010713	FLAT WASHER		08 08
11D	0501010087	1.1/4" NUT		16 16



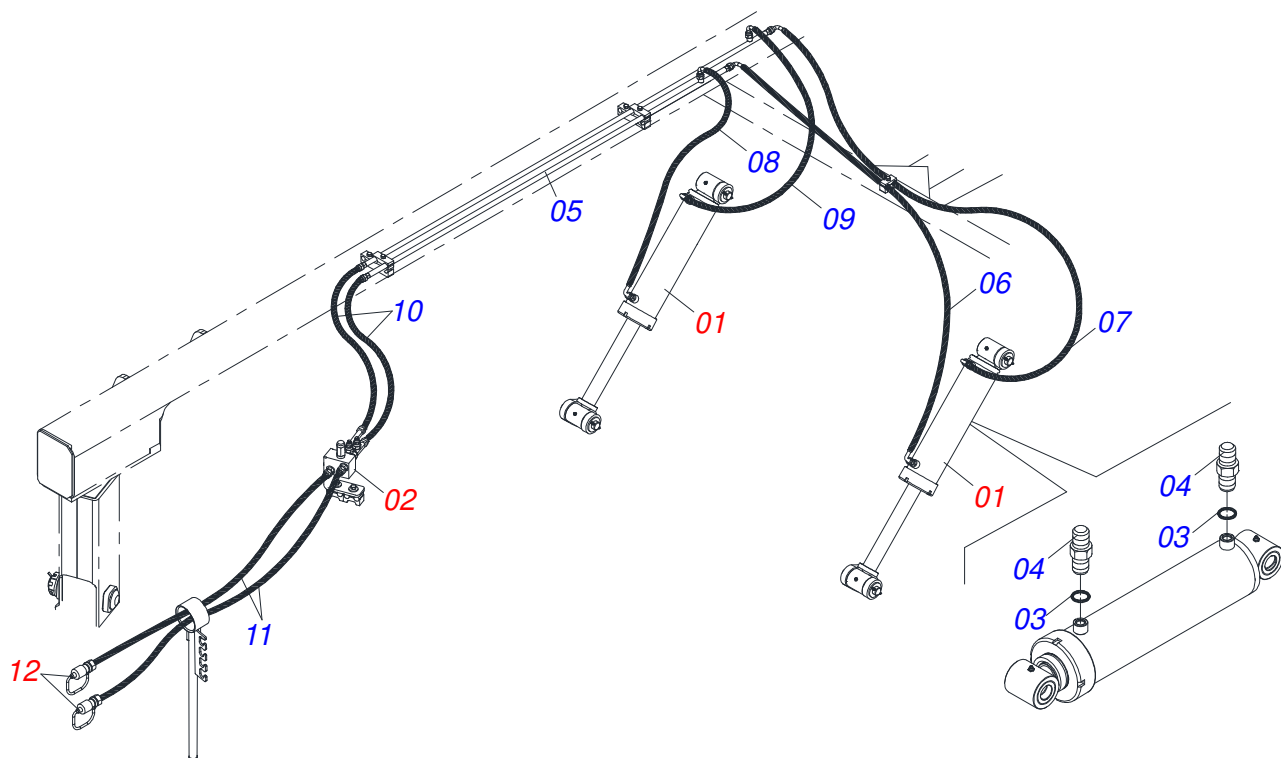
Item	Code	Description	See page	QT
01	0511044953	2-1/2" X 2815 AXLE		02
01A	0551010438	2.1/2" X 2815 AXLE		02
01B	0502040064	2.1/2"SNC X 70 99 NUT		04
02	0541010368	NUT LOCK		04
03	0502010593	2-1/2" EXTERNAL AXLE WASHER		02
04	0502010592	2-1/2" INNER AXLE WASHER		02
05	0511042200	495MM X 2-1/2" RD. OIL BATH BEARING	9	08
06	0502012414	SPACER		04
07	0602048051	36" X 12MM NOTCHED DISC BLADE		16
07.	0602052022	42" X 12MM NOTCHED DISK		16
07..	0602050002	39 X 12 NOTCHED DISC BLADE		16
07...	0602051017	NOTCHED DISK		16
08	0503010232	5/8" X 1.3/4" BOLT		08
09	0503010027	5/8" SPRING WASHER		16
10	0503010013	5/8" NUT		16
11	0521040349	1-1/4" X 5.3/4" BOLT		16
11A	0501041301	1-1/4"X 5-3/4" ASSY BOLT		16
11B	0501010953	1-1/4" SQUARE WASHER		16
11C	0531010713	FLAT WASHER		16
11D	0501010087	1.1/4" NUT		32



Item	Code	Description	See page	18/20/22/24/26
01	0511042421	2-1/2" X 91.7" AXLE WITH NUTS		02 04 02 00 00
01A	0541011893	2-1/2" X 91.7" AXLE		02 04 02 00 00
01B	0502040064	2.1/2"SNC X 70 99 NUT		04 08 04 00 00
02	0511044898	2.1/2 X 1810 AXLE WITH NUTS		02 00 00 00 00
02A	0551010075	2.1/2 X 1810 AXLE		02 00 00 00 00
02B	0502040064	2.1/2"SNC X 70 99 NUT		04 00 00 00 00
03	0511044953	2-1/2" X 2815 AXLE		00 00 02 04 02
03A	0551010438	2.1/2" X 2815 AXLE		00 00 02 04 02
03B	0502040064	2.1/2"SNC X 70 99 NUT		00 00 04 08 04
04	0521040419	AXLE WITH NUTS		00 00 00 00 02
04A	0571010567	2-1/2" X 3320 AXLE		00 00 00 00 02
04B	0502040064	2.1/2"SNC X 70 99 NUT		00 00 00 00 04
05	0541010368	NUT LOCK		08 08 08 08 08
06	0502010593	2-1/2" EXTERNAL AXLE WASHER		04 04 04 04 04
07	0502010592	2-1/2" INNER AXLE WASHER		04 04 04 04 04
08	0511042200	495MM X 2-1/2" RD. OIL BATH BEARING	9	08 08 08 08 10
09	0502012414	SPACER		06 08 10 12 12
10	0503010232	5/8" X 1.3/4" BOLT		08 08 08 08 08
11	0503010027	5/8" SPRING WASHER		08 08 08 08 08
12	0503010013	5/8" NUT		08 08 08 08 08
13	0521040349	1-1/4" X 5.3/4" BOLT		16 16 16 16 20
13A	0501041301	1-1/4"X 5-3/4" ASSY BOLT		16 16 16 16 20
13B	0501010953	1-1/4" SQUARE WASHER		16 16 16 16 20
13C	0531010713	FLAT WASHER		16 16 16 16 20
13D	0501010087	1.1/4" NUT		32 32 32 32 40
14	0602048062	36 X 12MM NOTCHED DISC		18 20 22 24 26
15	0602050002	39 X 12 NOTCHED DISC BLADE		18 20 22 24 26
16	0602051003	40" X 12MM NOTCHED DISC BLADE		18 20 22 24 26
17	0602052022	42" X 12MM NOTCHED DISK		18 20 22 24 26

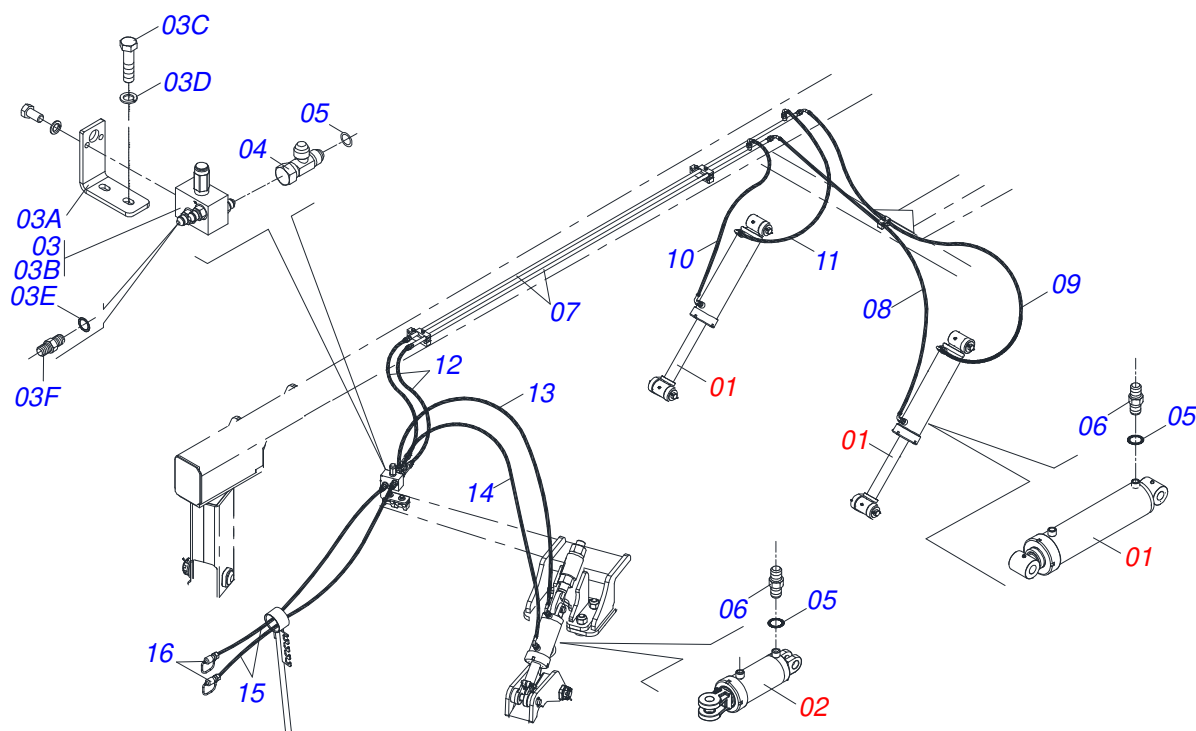


Item	Code	Description	See page	QT
01	0511058419	HYDRAULIC CYLINDER 50,80 X 101,60 X 514 X 206	5	01
02	0521051832	HYDRAULIC CYLINDER 53,98 X 114,30 X 654 X 346	6	02
03	0503011968	3/4" 8R6X-S T ADAPTER WITH SWIVEL NUT		04
04	0503011030	2-014 N 3006-9B O'RING		12
05	0561014252	3/4 UNF X 44 NIPPLE WITH REDUCTION		02
06	0503010190	2-114 N 3006-9B O'RING		06
07	0501010617	3/4" NIPPLE		04
08	0521052496	HOSE 3/8 X 5500 TR-TM BLACK/BLUE		01
08A	0501080205	HOSE 3/8 X 5500 TR-TM		01
08B	0503034492	HYDRAULIC HOSE GRIP (BLACK)		01
08C	0503034494	HYDRAULIC HOSE GRIP (BLUE)		01
08D	0503018952	PLASTIC BOLT		06
09	0521052495	HOSE 3/8 X 5500 TR-TM BLACK/RED		01
09A	0501080205	HOSE 3/8 X 5500 TR-TM		01
09B	0503034492	HYDRAULIC HOSE GRIP (BLACK)		01
09C	0503034495	HYDRAULIC HOSE GRIP (RED)		01
09D	0503018952	PLASTIC BOLT		06
10	0501080724	3/8" X 4700 TR-TC HOSE ASSY		01
11	0501080605	3/8" X 160" TR-TC HOSE ASSY		01
12	0501082182	HOSE 3/8 X 1330 TR-TR		01
13	0501080514	3/8 X 1700 TC-TC HOSE		01
14	0501053834	MALE QUICK COUPLER		02



Item	Code	Description	See page	QT
01	0521051832	HYDRAULIC CYLINDER 53,98 X 114,30 X 654 X 346	6	02
02	0511059196	VALVE ASSY		01
03	0503010190	2-114 N 3006-9B O'RING		04
04	0501010617	3/4" NIPPLE		04
05	0521066937	DUCT DISTRIBUTOR OF OIL		02
06	0501080393	3/8 X 2200 TC-TC HOSE		01
07	0501080968	3/8 X 1800 TC-TC HOSE		01
08	0501080065	3/8 X 1200 TC-TC HOSE		01
09	0501082058	HOSE 3/8 X 800 TC-TC		01
10	0501080106	TR-TR HOSE ASSY		02
11	0501080205	HOSE 3/8 X 5500 TR-TM		02
12	0501053834	MALE QUICK COUPLER		02





Item	Code	Description	See page	QT
01	0521051832	HYDRAULIC CYLINDER 53,98 X 114,30 X 654 X 346	6	02
02	0511058521	50,80 X 101,60 X 527 X 165 HYDRAULIC CYLINDER	7	01
03	0511059196	VALVE ASSY		01
03A	0581011745	VALVE SUPPORT		01
03B	0503010919	DISCHARGE VALVE		01
03C	0503011334	BOLT 3/8 UNC X 3/4 CS G.5 ZN		02
03D	0503010025	3/8" SPRING WASHER		02
03E	0503010190	2-114 N 3006-9B O'RING		06
03F	0501010617	3/4" NIPPLE		04
04	0503011968	3/4" 8R6X-S T ADAPTER WITH SWIVEL NUT		02
05	0503010190	2-114 N 3006-9B O'RING		08
06	0501010617	3/4" NIPPLE		06
07	0521066937	DUCT DISTRIBUTOR OF OIL		02
08	0501080432	3/8 X 2600 TC-TC HOSE ASSY		01
09	0501080393	3/8 X 2200 TC-TC HOSE		01
10	0501080065	3/8 X 1200 TC-TC HOSE		01
11	0501080931	3/8" X 39" TC-TC HOSE ASSY		01
12	0501080055	3/8 X 1000 TR-TC HOSE		02
13	0501080302	TR-TC HOSE ASSY		01
14	0501080436	3/8 X 1500 TR-TC HOSE		01
15	0501080205	HOSE 3/8 X 5500 TR-TM		02
16	0501053834	MALE QUICK COUPLER		02





**MARCHESAN**

**Technical Publications | Elaboration and Revision**  
JOSÉ DOMINGOS GASPARI

[www.marchesan.com.br](http://www.marchesan.com.br)

