

ROTARY CUTTERS

ROAT2 3400 TL WITH ROTATING HITCH

Code: 0501092203
Series: S-0516
Revision: 00
Date Revision: FEVEREIRO/2023

PARTS CATALOGUE



MARCHESAN



PRODUCTS

Code	Description
0104090023	ROAT2 3400 TL C/ENG GIRAT C/R S/PN S-0516
0104090019	ROAT2 3400 TL C/ENG GIRAT S-0516

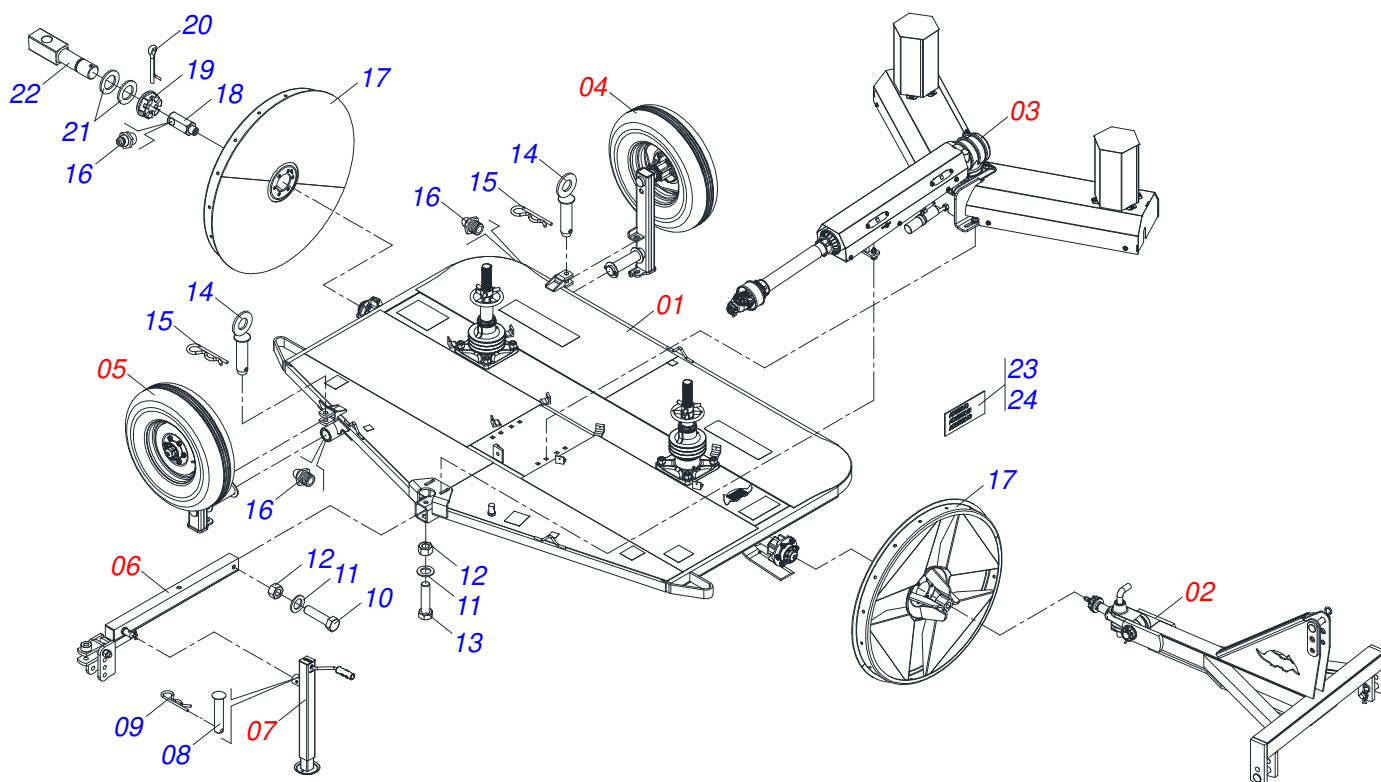
ATTENTION: IMPORTANT

Marchesan S.A. reserves the right to improve and/or modify the technical features of its products, without obligation to do the same with those products already sold and without prior knowledge of the dealer or the customer. The photos are only illustrative.

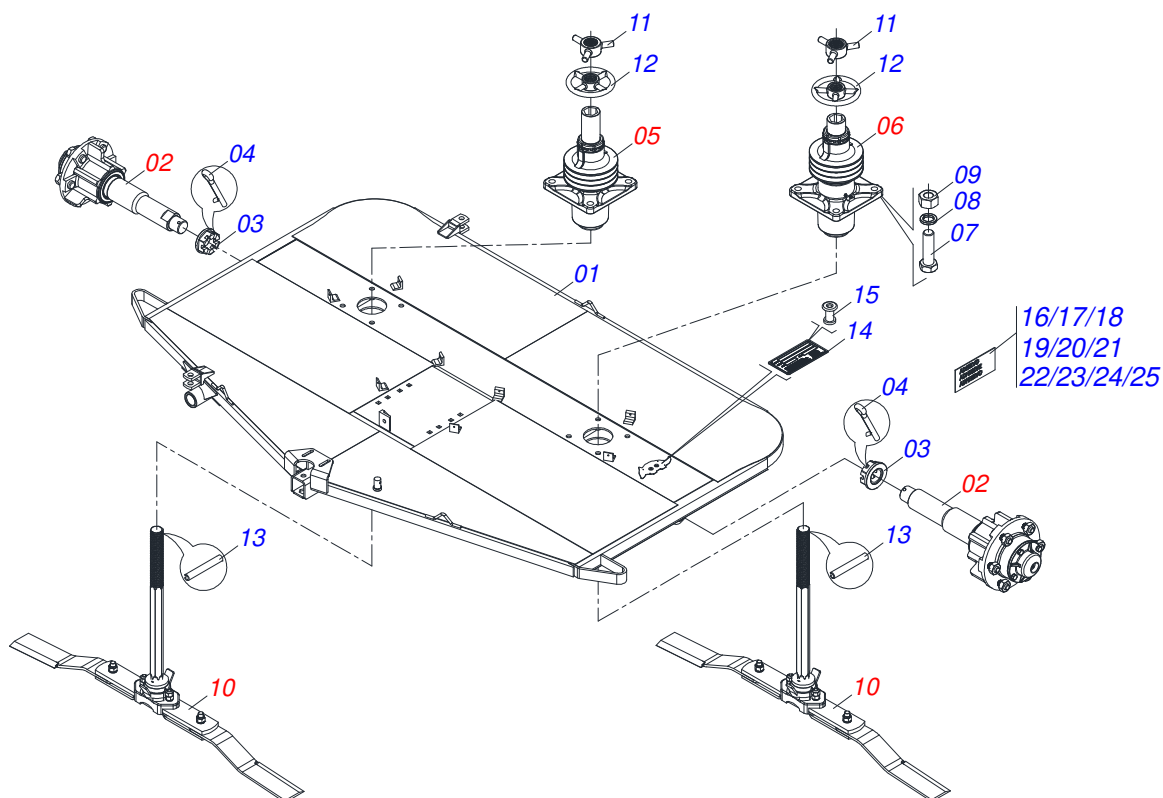


INDEX

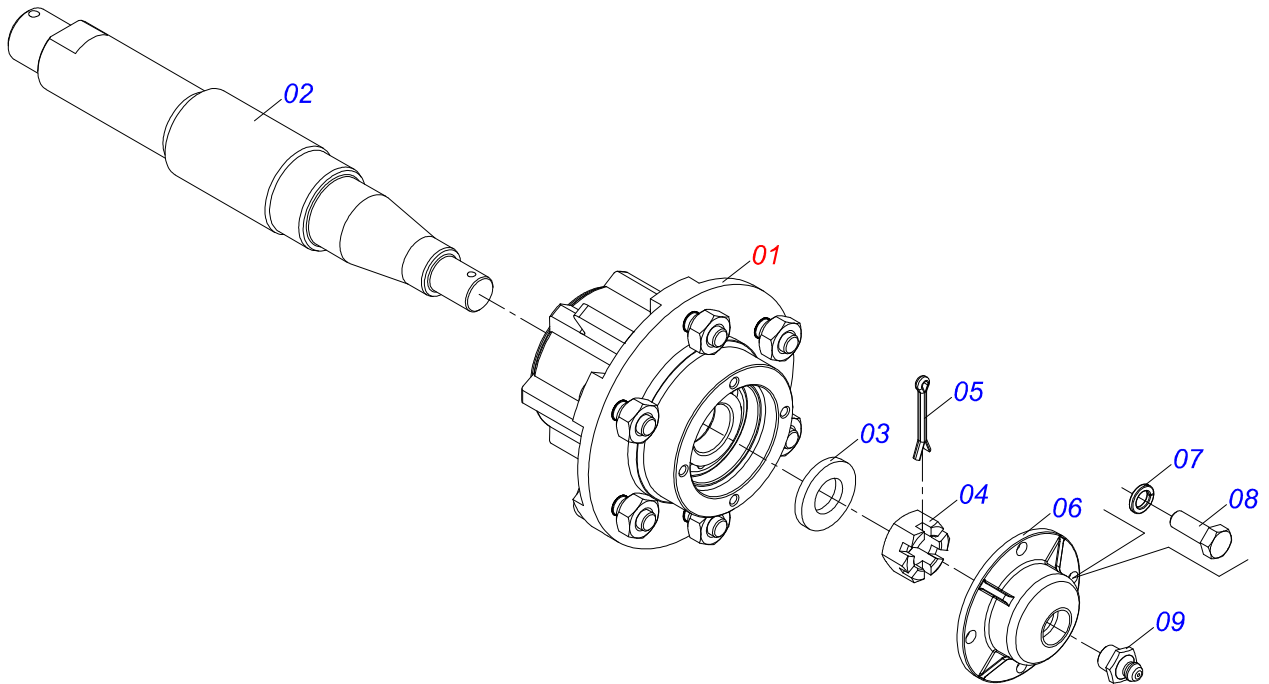
0909093961	ASSY FRAME	1
0511050514	SEMIFINISHED FRAME	2
0501051634	TSTUB SHAFT & HUB ASSY	3
0501051142	CARRYING WHEEL HUB	4
0511046006	BASS MANDREL	5
0511046007	MANDREL ASSY	6
0501057738	CUTTERS SUPPORT	7
0909093962	ASSY HEADER	8
0909093965	ASSY TRANSMISSION COMPLETE	9
0501052026	REEL SUPPORT MULTIPLIER	10
0501044065	UNIVERSAL JOINT	11
0501044307	AGRICULTURAL BEARING ASSY	12
0501047952	DRIVE SHAFT	13
0521055500	MANUAL CANISTER ASSY	14
0909093963	ASSY LEFT WHEEL	15
0909093964	ASSY RIGHT WHEEL	16
0501051632	RIGHT STUB SHAFT & HUB ASSY	17
0501051633	LEFT STUB SHAFT & HUB ASSY	18
0503060091	L29.5"X0.63"-10L WHEEL AND	19
0511058519	SEMI HEADER WITH ROTATING HITCH	20
0503062157	DRAWBAR JACK	21



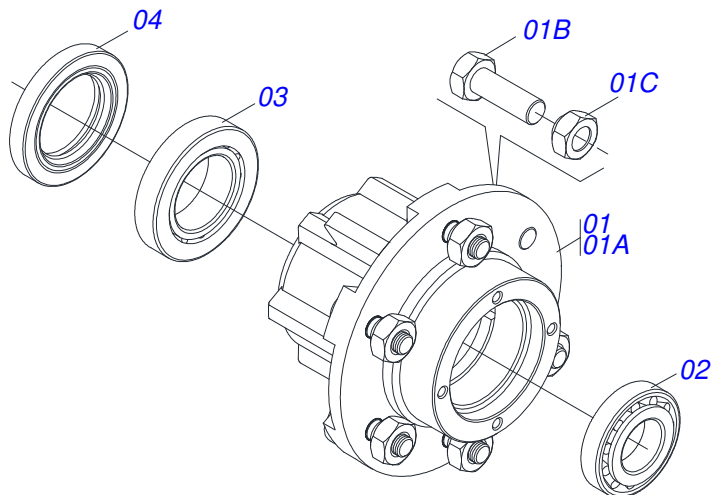
Item	Code	Description	See page	QT
01	0511050514	SEMINISHED FRAME	2	01
02	0909093962	ASSY HEADER	8	01
03	0909093965	ASSY TRANSMISSION COMPLETE	9	01
04	0909093963	ASSY LEFT WHEEL	15	01
05	0909093964	ASSY RIGHT WHEEL	16	01
06	0511058519	SEMI HEADER WITH ROTATING HITCH	20	01
07	0503062157	DRAWBAR JACK	21	01
08	0521010549	COUPLING SHAFT		01
09	0503030168	HITCH PIN CLIP		01
10	0501010392	1" X 5" BOLT		01
11	0511015994	FLAT WASHER		02
12	0503018754	1-8 UNC NUT		02
13	0501010372	1" X 5-1/2" BOLT		01
14	0501060627	COUPLING SHAFT		02
15	0503031035	HITCH PIN CLIP		02
16	0503010002	1800 GREASE FITTING		03
17	0521061982	WHEEL AND RING SUPPORT OFFSET		02
18	0571013086	(40) EXTEND GREASE FITTING		01
19	0501011301	1.1/2 UNC 6FPP 2.5/16 NUT		01
20	0503010010	1/4" X 2.1/2" COTTERPIN		01
21	0501012916	FLAT WASHER 40 X 66 X 4,75 ZN		02
22	0591010036	JUNCTION AXLE 1.1/2 UNC X 215		02
23	0503031127	ADHESIVE LABEL		01
24	0503031087	ADHESIVE LABEL		01



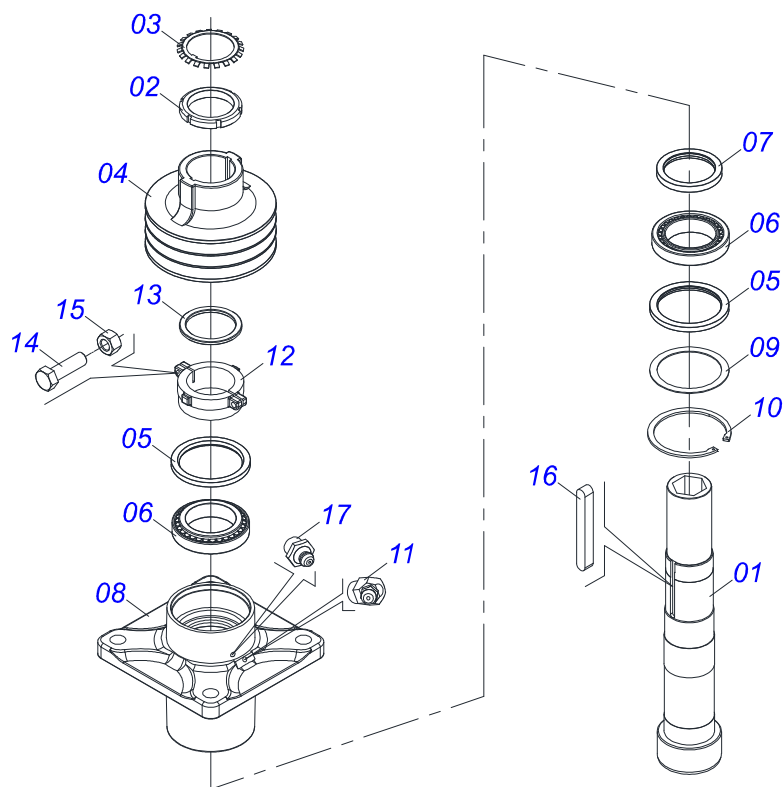
Item	Code	Description	See page	QT
01	0521061984	FRAME		01
02	0501051634	TSTUB SHAFT & HUB ASSY	3	02
03	0501011301	1.1/2 UNC 6FPP 2.5/16 NUT		02
04	0503010010	1/4" X 2.1/2" COTTERPIN		02
05	0511046006	BASS MANDREL	5	01
06	0511046007	MANDREL ASSY	6	01
07	0501010372	1" X 5-1/2" BOLT		08
08	0503011438	SPRING WASHER		08
09	0501010059	1.5/8 NUT		08
10	0501057738	CUTTERS SUPPORT	7	02
11	0502012459	HANDLE ROAT2		02
12	0502012460	HANDLE LOCK		02
13	0503016184	SPRING PIN		02
14	0503034003	SERIAL NUMBER TAG 61 X 118		01
15	0503010001	3.2 X 5.5 RIVET		04
16	0503031427	ADHESIVE LABEL		01
17	0503031428	READ MANUAL DECAL		01
18	0503031929	ADHESIVE LABEL		01
19	0503031930	ADHESIVE LABEL		01
20	0503031931	ADHESIVE LABEL		01
21	0503032949	ADHESIVE LABEL		01
22	0503034078	LIFTING POINTS DECAL		03
23	0503034333	ADHESIVE LABEL		01
24	0503034454	ADHESIVE LABEL		01
25	0503034247	ADHESIVE LABEL POINT LUBRICATION		04



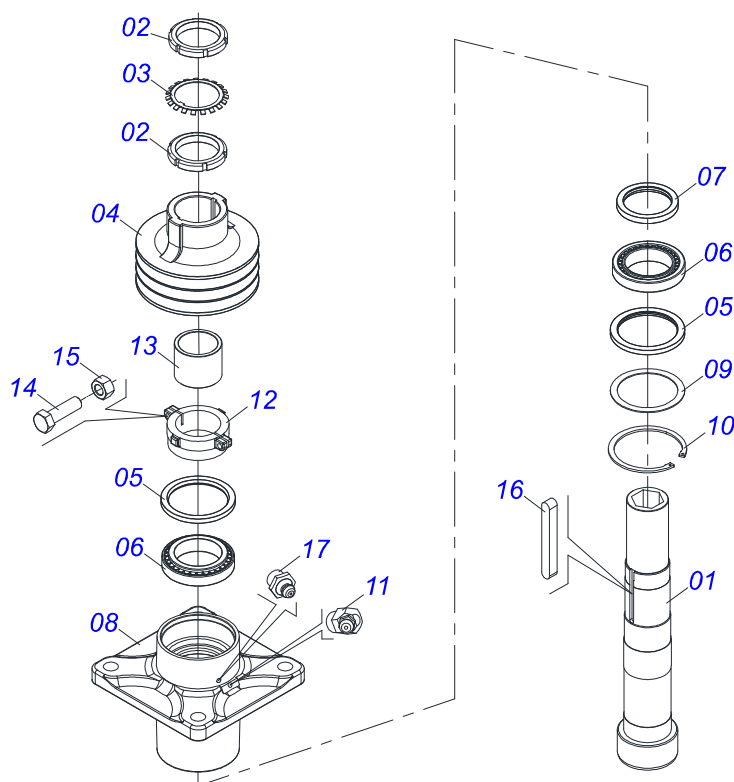
Item	Code	Description	See page	QT
01	0501051142	CARRYING WHEEL HUB	4	01
02	0521010821	2.5" X 16.5" AXLE		01
03	0501016545	FLAT WASHER		01
04	0503030009	1" CASTLE NUT		01
05	0503010018	5/32 X 1-1/2 COTTERPIN		01
06	0502020591	PROTECCION COVER		01
07	0503011444	SPRING WASHER		04
08	0503010358	5/16" X 5/8" BOLT		04
09	0503010002	1800 GREASE FITTING		01



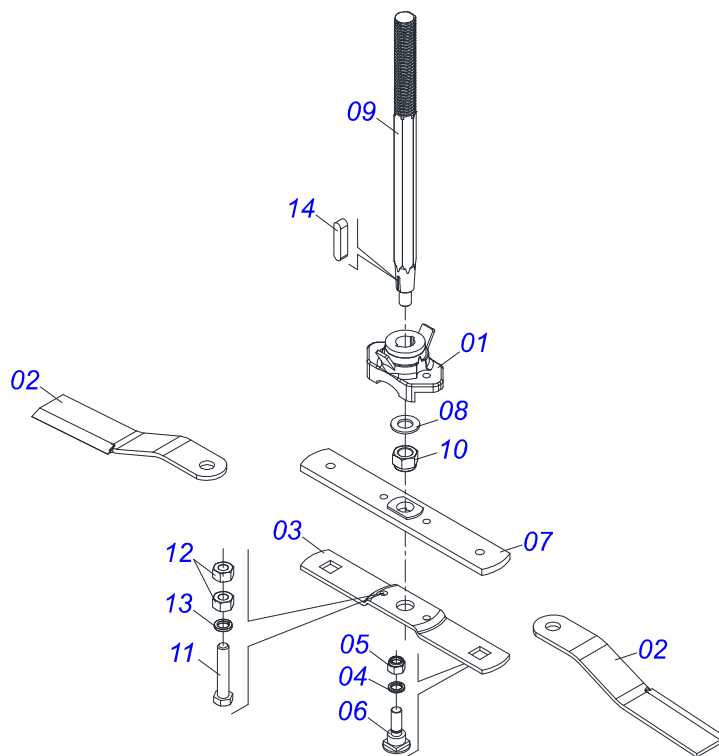
Item	Code	Description	See page	QT
01	0501110728	WHEEL HUB		01
01A	0502011121	CARRYING WHEEL HUB		01
01B	0501010127	9/16" X 1-7/8" LUG BOLT		06
01C	0503010035	9/16" CONIC NUT		06
02	0503010037	30207 ROLLER BEARING		01
03	0503010006	32210 ROLLER BEARING		01
04	0503012928	SEAL		01



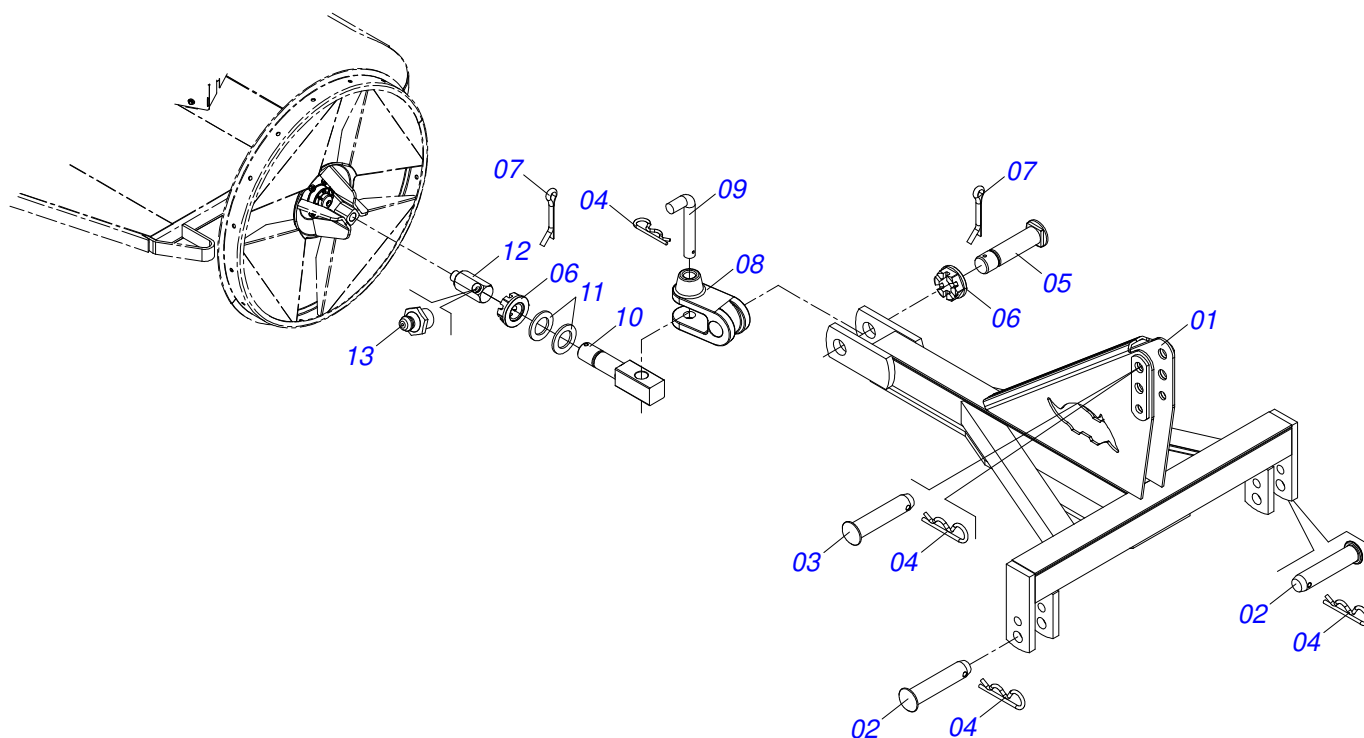
Item	Code	Description	See page	QT
01	0502040767	MANDREL AXLE BODY		01
02	0503010554	KM- 16 LOCKNUT		01
03	0503010553	LOCK WASHER		01
04	0502012463	3 REEL 210 PULLEY		01
05	0503010095	01103-B SEAL		02
06	0503014559	ROLLER BEARING		02
07	0503014560	SEAL		01
08	0502012461	MANDREL BODY		01
09	0551015956	FLAT WASHER		01
10	0503014558	502135 CLAMPING RING (FOR HOLE)		01
11	0503010003	1845 GREASE FITTING		01
12	0502040768	ADJUSTMENT BUSHING		01
13	0551015954	WASHER		01
14	0503010751	C3/8" X 1.1/4" HEX BOLT G.5		02
15	0503010026	3/8" NUT		02
16	0501018488	3/8" X 3.1" KEYWAY SQUARE		02
17	0503010002	1800 GREASE FITTING		02



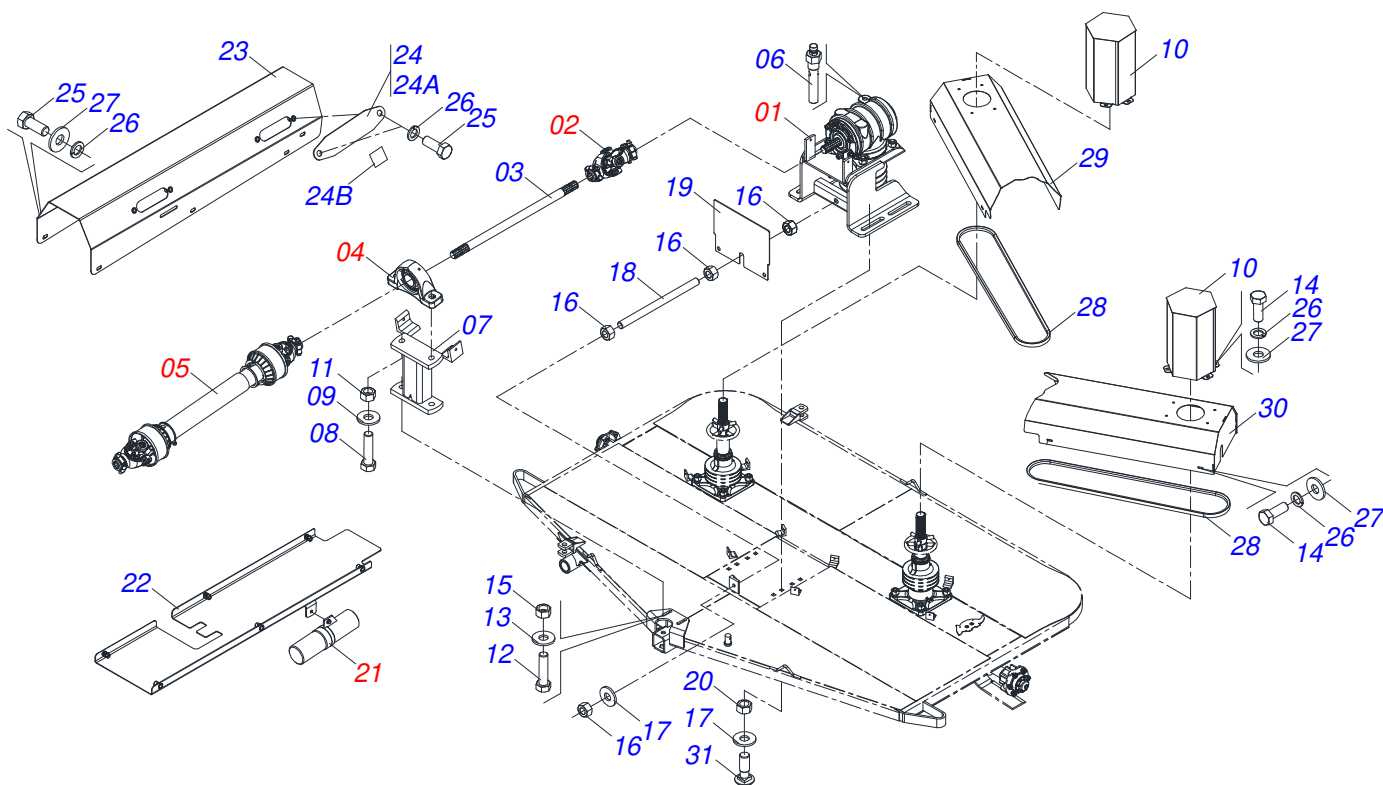
Item	Code	Description	See page	QT
01	0502040766	MANDREL AXLE BODY		01
02	0503010554	KM- 16 LOCKNUT		02
03	0503010553	LOCK WASHER		01
04	0502012463	3 REEL 210 PULLEY		01
05	0503010095	01103-B SEAL		02
06	0503014559	ROLLER BEARING		02
07	0503014560	SEAL		01
08	0502012461	MANDREL BODY		01
09	0551015956	FLAT WASHER		01
10	0503014558	502135 CLAMPING RING (FOR HOLE)		01
11	0503010003	1845 GREASE FITTING		01
12	0502040768	ADJUSTMENT BUSHING		01
13	0551015955	84 X 105 X 82,6 SLEEVE		01
14	0503010751	C3/8" X 1.1/4" HEX BOLT G.5		02
15	0503010026	3/8" NUT		02
16	0501018488	3/8" X 3.1" KEYWAY SQUARE		02
17	0503010002	1800 GREASE FITTING		01



Item	Code	Description	See page	QT
01	0502012453	SUPPORT FLANGE		01
02	0622400054	24.5" X 3.94" X 0.5" ROTARY CUTTER		02
03	0561017369	ROTARY LOWER SUPPORT LOWER		01
04	0503011447	SPRING WASHER		02
05	0503010812	7/8" UNF SELF LOCKING NUT		02
06	0511019000	BOLT		02
07	0561017307	SUPPORT UPPER BASE		01
08	0501017779	32 X 60 X 4.75 FLAT WASHER		01
09	0551015952	SUPPORT FIXER AXLE		01
10	0503010817	1.1/4" SELF LOCKING NUT		01
11	0503011328	3/4" X 4" BOLT		02
12	0503010014	3/4" HEX NUT		04
13	0503011442	3/4" SPRING WASHER		02
14	0501010536	KEYWAY SQUARE		02



Item	Code	Description	See page	QT
01	0501068348	LONGIT TRANSP DRAWBAR		01
02	0521010596	COUPLING SHAFT		02
03	0521010579	COUPLING SHAFT		01
04	0503031035	HITCH PIN CLIP		04
05	0521014542	1-1/2" X 5.8" COUPLING SHAFT		01
06	0501011301	1.1/2 UNC 6FPP 2.5/16 NUT		02
07	0503010010	1/4" X 2.1/2" COTTERPIN		02
08	0521061978	COMPLEMENT DRAWBAR		01
09	0502040921	U HITCH TRACTOR		01
10	0591010036	JUNCTION AXLE 1.1/2 UNC X 215		01
11	0501012916	FLAT WASHER 40 X 66 X 4,75 ZN		02
12	0571013086	(40) EXTEND GREASE FITTING		01
13	0503010002	1800 GREASE FITTING		01



Item	Code	Description	See page	QT
01	0501052026	REEL SUPPORT MULTIPLIER	10	01
02	0501044065	UNIVERSAL JOINT	11	01
03	0561017688	TRANSMISSION SHAFT		01
04	0501044307	AGRICULTURAL BEARING ASSY	12	01
05	0501047952	DRIVE SHAFT	13	01
06	0501110186	OIL SMALLER LEVEL INDICATOR		01
07	0501061174	BEARING SUPPORT		01
08	0503010734	1/2" X 2-1/2" BOLT		02
09	0511017302	FLAT WASHER 13,50 X 32,50 X 3,0 ZN		02
10	0521067228	SHIELD AXLE PROTECTION COVER		02
11	0503010589	1/2" UNC SELF ADJUSTING NUT		02
12	0503010233	5/8" X 2-1/2" BOLT		02
13	0501012140	FLAT WASHER		04
14	0503010237	3/8" X 1" BOLT		26
15	0503010878	5/8" SELF ALIGNING NUT		02
16	0503010014	3/4" HEX NUT		04
17	0501010322	FLAT WASHER		05
18	0501013451	282 TENSIONER BODY		01
19	0581012545	PROTECTION BELT MULTIPLIER SUPPORT		01
20	0503011075	3/4" UNC NUT		04
21	0521055500	MANUAL CANISTER ASSY	14	01
22	0501111187	LOWER COVER PROTECTION TRANSMISSION SHAFT WITH RIVET		01
23	0501111189	GREATER PROTECTION COVER TRANSMISSION SHAFT WITH RIVET		01
24	0521052619	TRANSMISSION SHAFT LUBRICATION DOOR WITH ADHESIVE		02
24A	0581012546	LUBRICATION AXIS TRANSMISSION		02
24B	0503034247	ADHESIVE LABEL POINT LUBRICATION		02
25	0503010256	3/8" X 3/4" BOLT		04
26	0503010025	3/8 SPRING WASHER		16
27	0501010984	10,50 X 27 X 3,00 FLAT WASHER		16

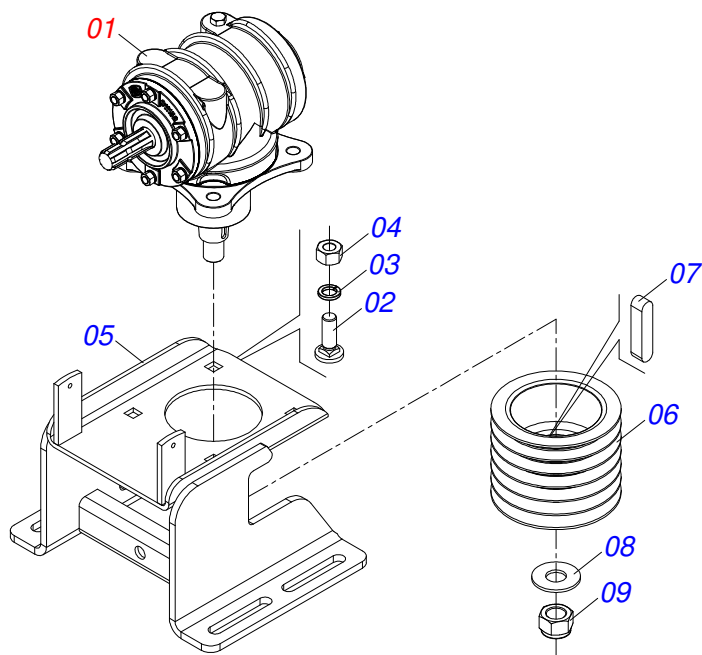


ROAT2 3400 TL WITH ROTATING HITCH
ASSY TRANSMISSION COMPLETE

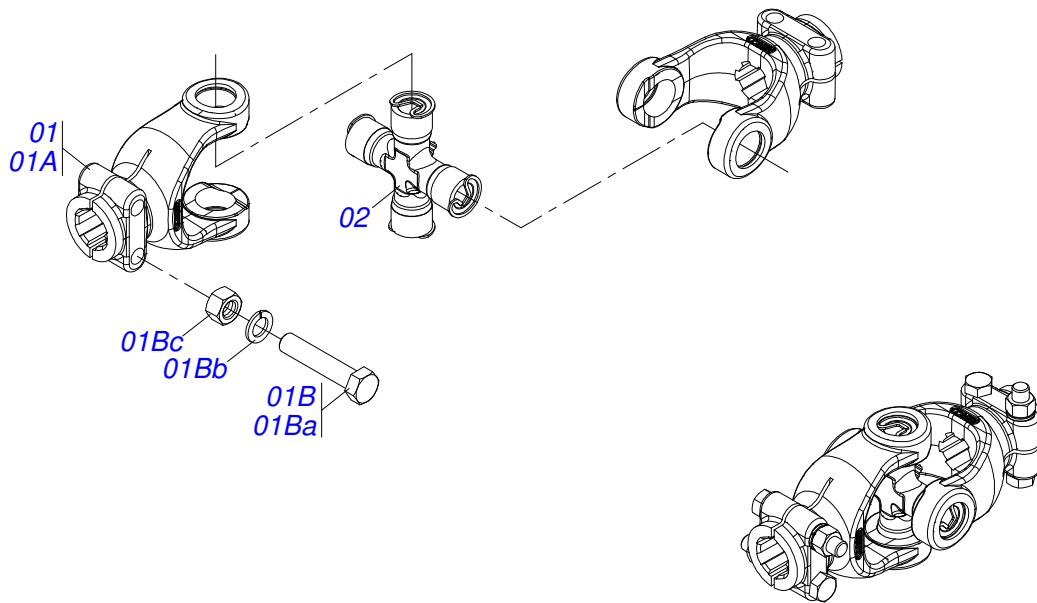
Page 9

0909093965

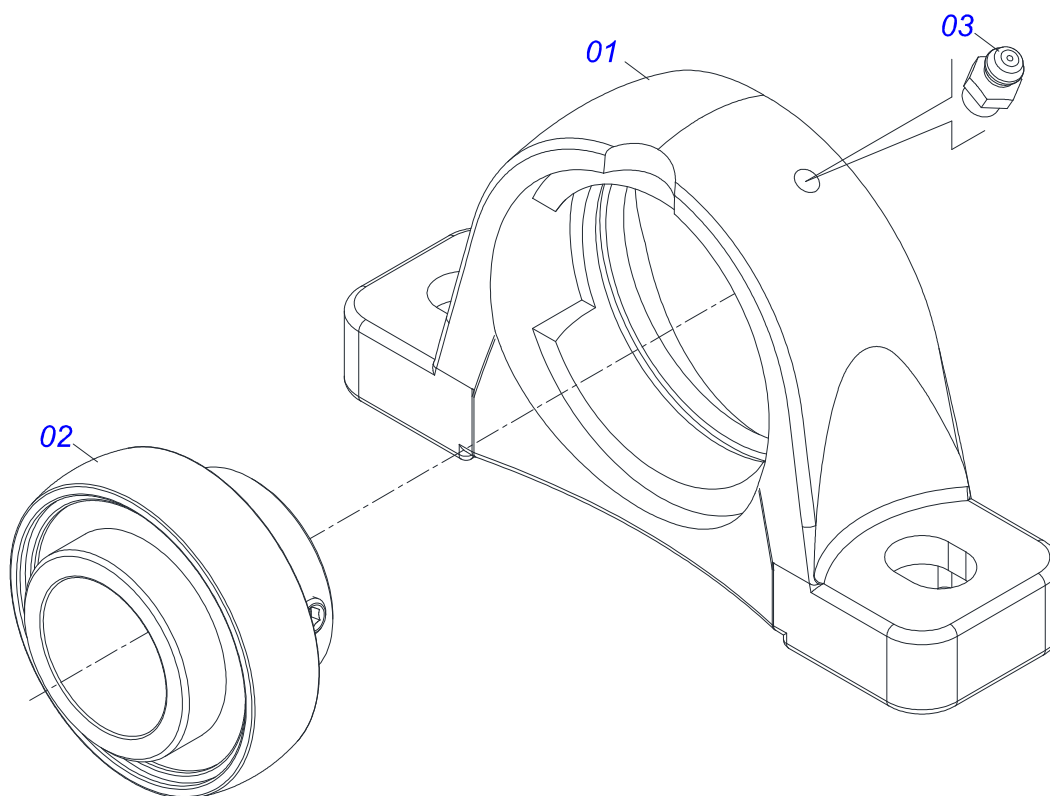
Item	Code	Description	See page	QT
28	0503010924	C-96 BELT		06
29	0501111184	RIGHT PROTECTION COVER		01
30	0501111185	LEFT PROTECTION COVER		01
31	0501017305	3/4" X 2-1/4" BOLT		04



Item	Code	Description	See page	QT
01	0501046851	MULTIPLIER		01
02	0511018358	3/4" X 2-1/4"7MM BOLT		04
03	0503011442	3/4" SPRING WASHER		04
04	0503010014	3/4" HEX NUT		04
05	0501068587	MULTIPLIER SUPPORT		01
06	0502011378	6 REEL X 7.5" X 1.97" PULLEY		01
07	0501010536	KEYWAY SQUARE		02
08	0561015762	FLAT WASHER		01
09	0503010817	1.1/4" SELF LOCKING NUT		01

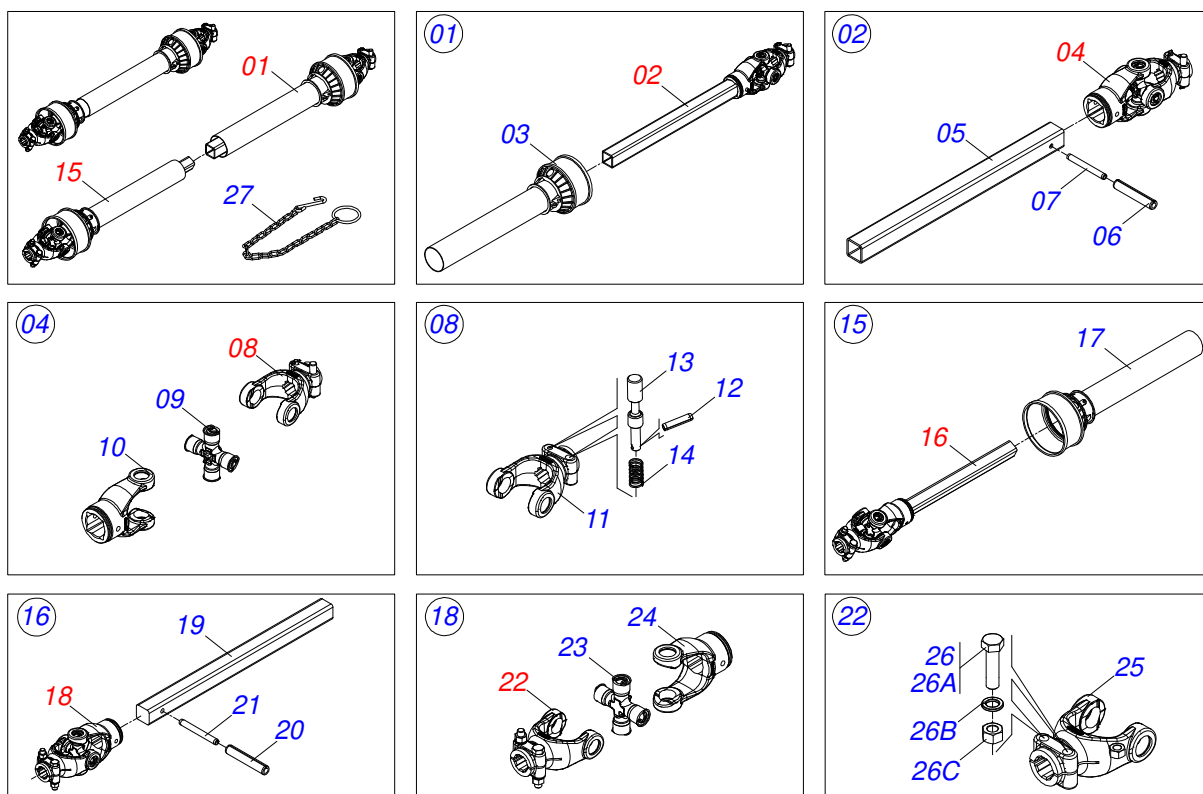


Item	Code	Description	See page	QT
01	0501052516	T6-60 TERMINAL WITH SCREW		02
01A	0502010830	6-60 STRIATED 1.3/8" TERMINAL		02
01B	0501047756	1/2" X 3" SET PARTS		02
01Ba	0503010479	BOLT		02
01Bb	0503010019	1/2" SPRING WASHER		02
01Bc	0503010060	1/2 UNC G.5 ZN HEX NUT		02
02	0503010837	CARDAN CROSSPIECE		01

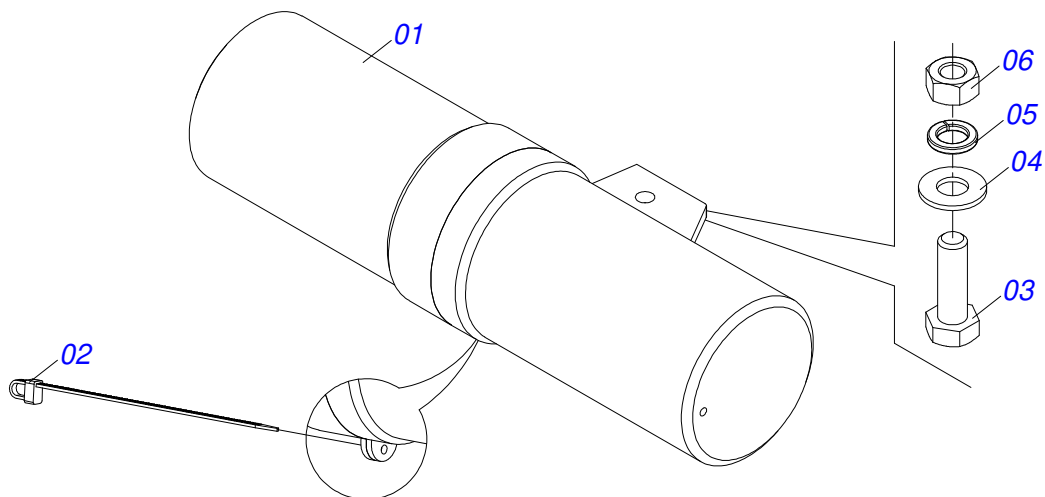


Item	Code	Description	See page	QT
01	0503010596	AGRICULTURAL HOUSING BEARING		01
02	0503010597	BALL BEARING		01
03	0503010691	1/4" GREASE FITTING		01

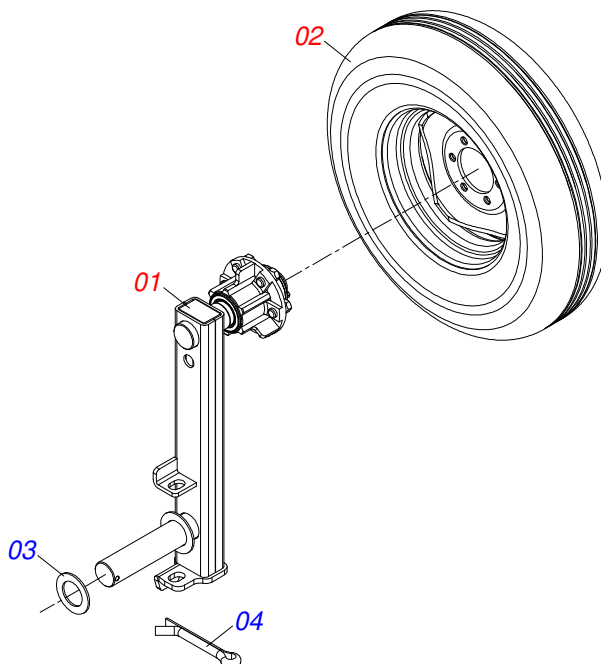
DRIVE SHAFT



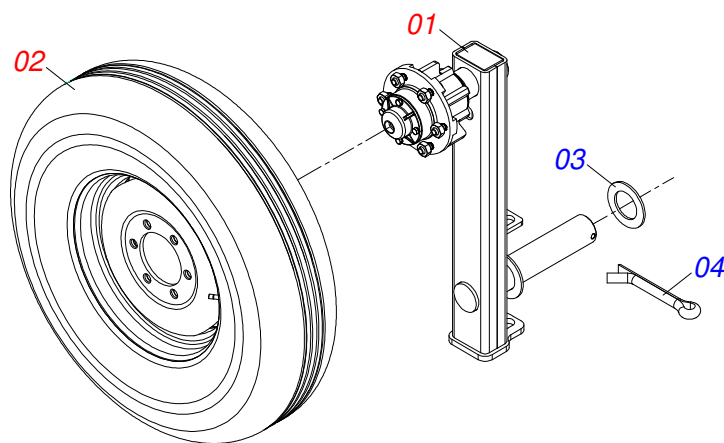
Item	Code	Description	See page	QT
01	0501051705	UNIVERSAL JOINT WITH SLEEVE/PROT		01
02	0501051707	UNIVERSAL JOINT WITH SLEEVE		01
03	0503012084	PROTECTION FOR UNIV JOINT AND SLEEVE		01
04	0501051708	UNIVERSAL JOINT		01
05	0511010332	23" X 1.8" SQUARE SLEEVE		01
06	0503010843	0.4" X 3.3" SPRING PIN		01
07	0503011878	0.2" X 3.3" SPRING PIN		01
08	0501050334	1-60 TERMINAL WITH QUICK HITCH		01
09	0503010837	CARDAN CROSSPIECE		01
10	0502011422	2-60 TERMINAL		01
11	0502010568	1-60 STRIATED 1.3/8" TERMINAL		01
12	0503010838	0.1" X 0.8" SPRING PIN		02
13	0503037375	PIN QUICK COUPLING		02
14	0503030518	0.5"X1.0"X 0.1" COMPRESSION SPRING		02
15	0501051706	UNIVERSAL JOINT WITH AXLE/PROT		01
16	0501051709	UNIVERSAL JOINT WITH SHAFT		01
17	0503012085	PROTECTION FOR UNIV JOINT AND AXLE		01
18	0501051710	UNIVERSAL JOINT		01
19	0511010326	1.4" X 23" SQUARE SHAFT		01
20	0503011069	0.4" X 2.8" SPRING PIN		01
21	0503011805	0.2" X 2.8" SPRING PIN		01
22	0501052516	T6-60 TERMINAL WITH SCREW		01
23	0503010837	CARDAN CROSSPIECE		01
24	0502011424	3-60 TERMINAL		01
25	0502010830	6-60 STRIATED 1.3/8" TERMINAL		01
26	0501047756	1/2" X 3" SET PARTS		02
26a	0503010479	BOLT		01
26b	0503010019	1/2" SPRING WASHER		01
26c	0503010060	1/2 UNC G.5 ZN HEX NUT		01
27	0503012023	CHAIN FOR PROTECTION		02



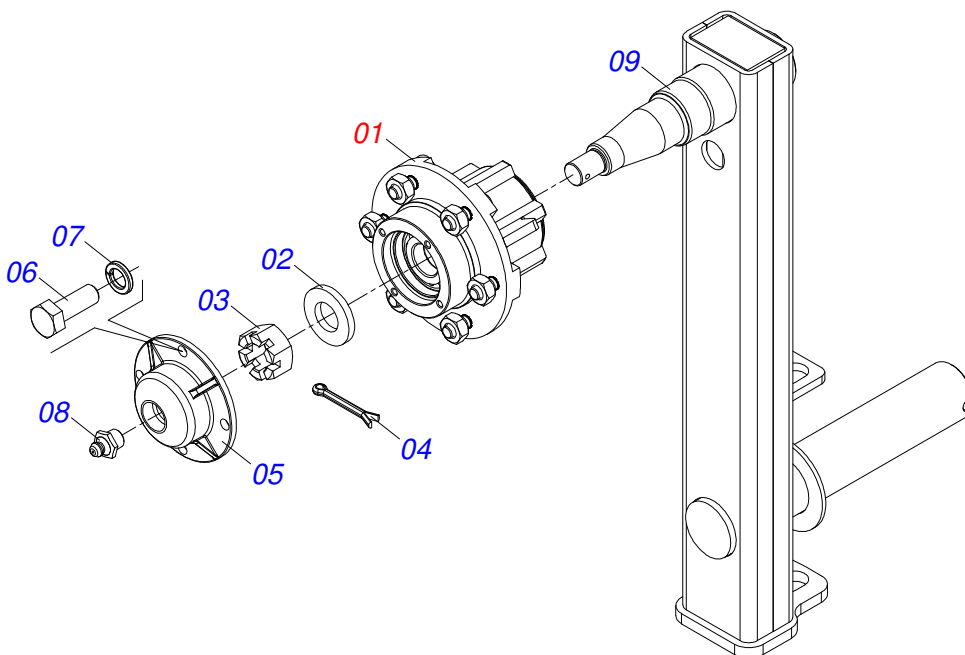
Item	Code	Description	See page	QT
01	0503060100	INSTRUCTIONS MANUAL CANISTER		01
02	0503010267	NYLON CLAMP		01
03	0503010363	BOLT 5/16 UNC X 1 C S G.2 ZN		01
04	0501010694	FLAT WASHER		01
05	0503010179	LOCK WASHER 5/16 ZN 1K01528		01
06	0503010337	5/16" NUT		01
07	0501036629	PLASTIC COVER WITH INSTRUCTIONS MANUAL		01



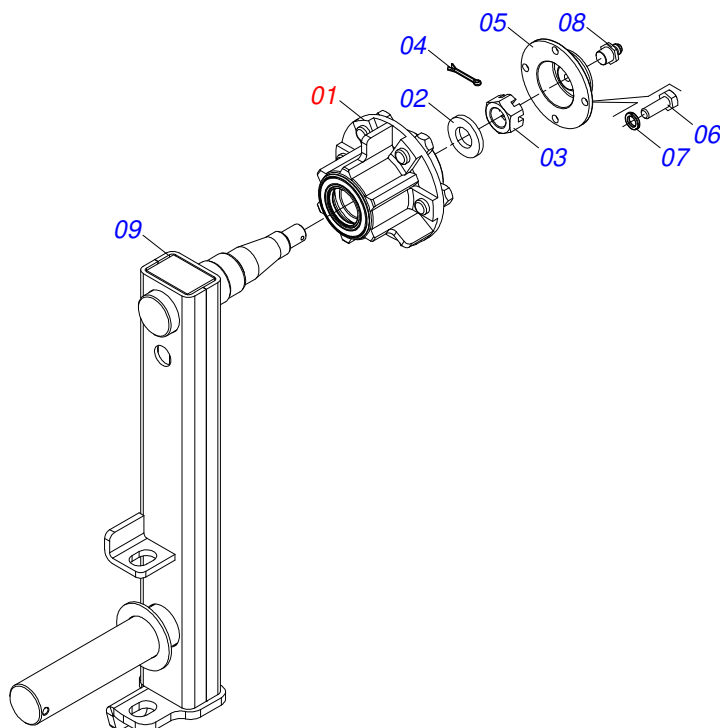
Item	Code	Description	See page	QT
00	0521049185	LEFT WHEEL WITHOUT TIRE		01
01	0501051633	LEFT STUB SHAFT & HUB ASSY	18	01
02	0503060091	L29.5"X0.63"-10L WHEEL AND	19	01
03	0501017579	FLAT WASHER		01
04	0503010073	3/8 X 3-1/2 COTTERPIN		01



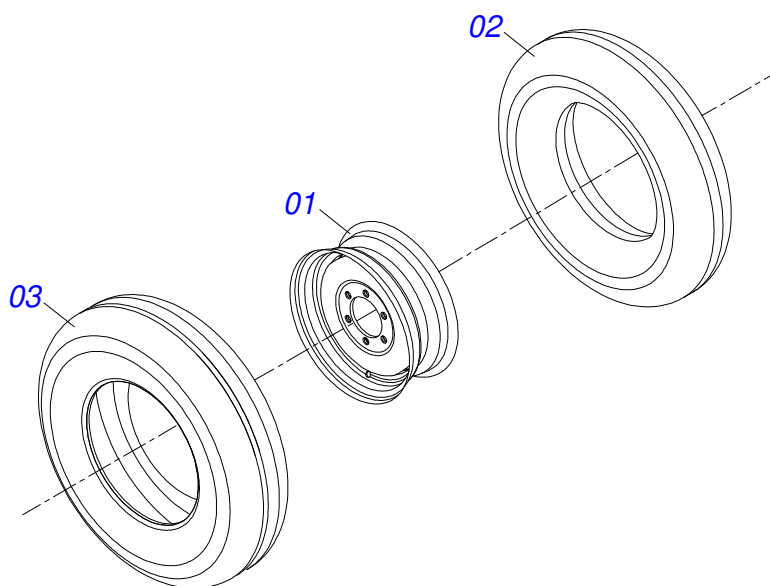
Item	Code	Description	See page	QT
00	0521049184	WHEEL RIGHT WITHOUT TIRE		01
01	0501051632	RIGHT STUB SHAFT & HUB ASSY	17	01
02	0503060091	L29.5"X0.63"-10L WHEEL AND	19	01
03	0501017579	FLAT WASHER		01
04	0503010073	3/8 X 3-1/2 COTTERPIN		01



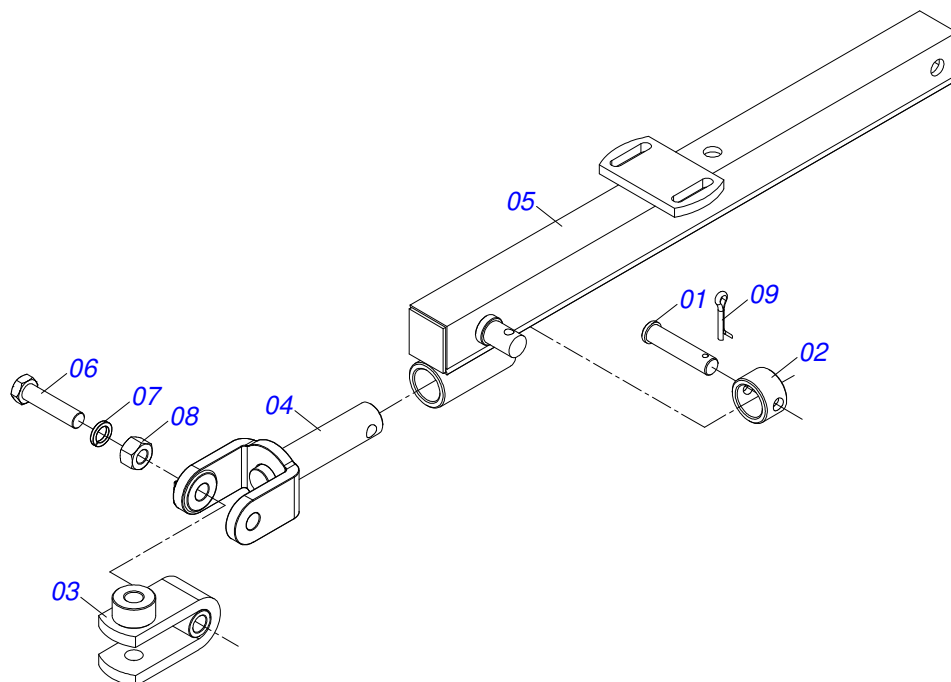
Item	Code	Description	See page	QT
01	0501051142	CARRYING WHEEL HUB	4	01
02	0501016545	FLAT WASHER		01
03	0503030009	1" CASTLE NUT		01
04	0503010018	5/32 X 1-1/2 COTTERPIN		01
05	0502020591	PROTECCION COVER		01
06	0503010358	5/16" X 5/8" BOLT		04
07	0503011444	SPRING WASHER		04
08	0503010002	1800 GREASE FITTING		01
09	0501069088	RIGHT CARRYING-WHEELS SUPPORT		01



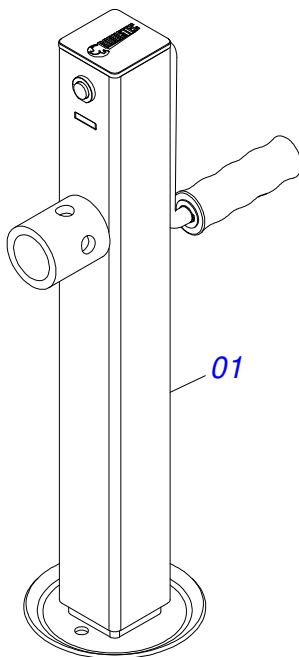
Item	Code	Description	See page	QT
01	0501051142	CARRYING WHEEL HUB	4	01
02	0501016545	FLAT WASHER		01
03	0503030009	1" CASTLE NUT		01
04	0503010018	5/32 X 1-1/2 COTTERPIN		01
05	0502020591	PROTECCION COVER		01
06	0503010358	5/16" X 5/8" BOLT		04
07	0503011444	SPRING WASHER		04
08	0503010002	1800 GREASE FITTING		01
09	0501069089	LEFT CARRYING-WHEELS SUPPORT		01



Item	Code	Description	See page	QT
01	0503010893	WHEEL		01
02	0503010033	7.50 X 16 INNER TIRE		01
03	0503010120	CANVAS TIRE		01



Item	Code	Description	See page	QT
01	0521010639	COUPLING SHAFT		01
02	0521010681	BUSHING COUPLING BODY		01
03	0521065106	U COUPLING TRACTOR		01
04	0521066536	ROTARY HITCH		01
05	0511068803	DRAWBAR ROAT2		01
06	0501010060	1" X 6-1/2" BOLT		01
07	0503011438	SPRING WASHER		01
08	0501010059	1.5/8 NUT		01
09	0503010571	1/4" X 1.1/2 COTTERPIN		01



Item	Code	Description	See page	QT
01	0503062157	DRAWBAR JACK	21	01



MARCHESAN

Technical Publications | Elaboration and Revision

ALESSANDRA PATRICIA KAWAHARA CARRILI

www.marchesan.com.br

