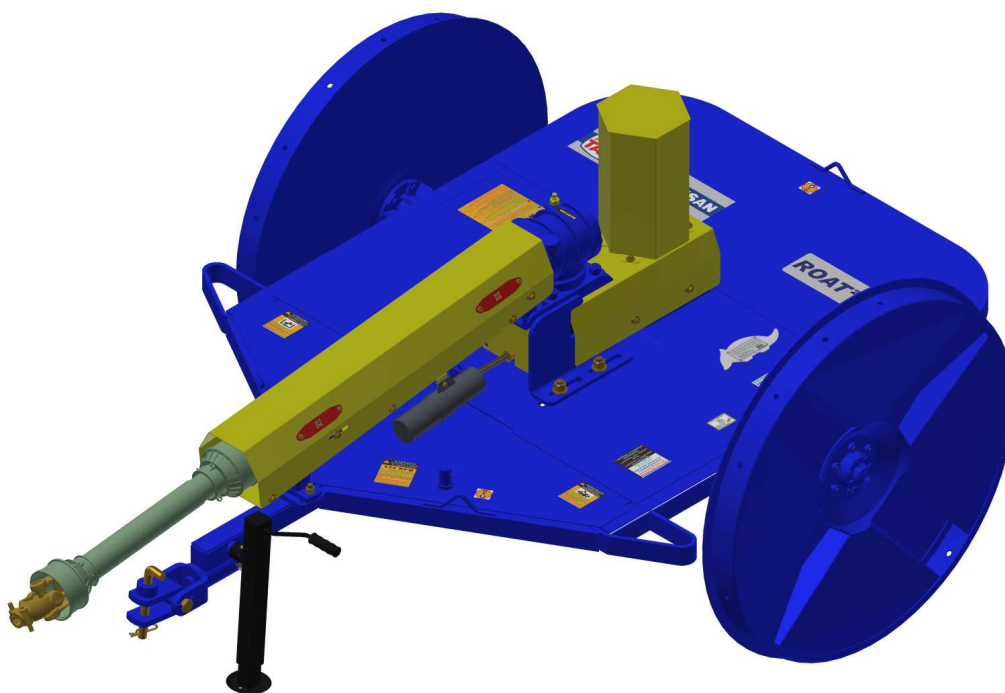


PARTS CATALOG

ROTARY CUTTERS

ROAT2 1700 WITH ROTATING HITCH

Code: 0501092201



Series: S-0516

Rev.: 00

Date Rev.: ABRIL/2018

ORIGINAL PARTS
TATU



PRODUCTS

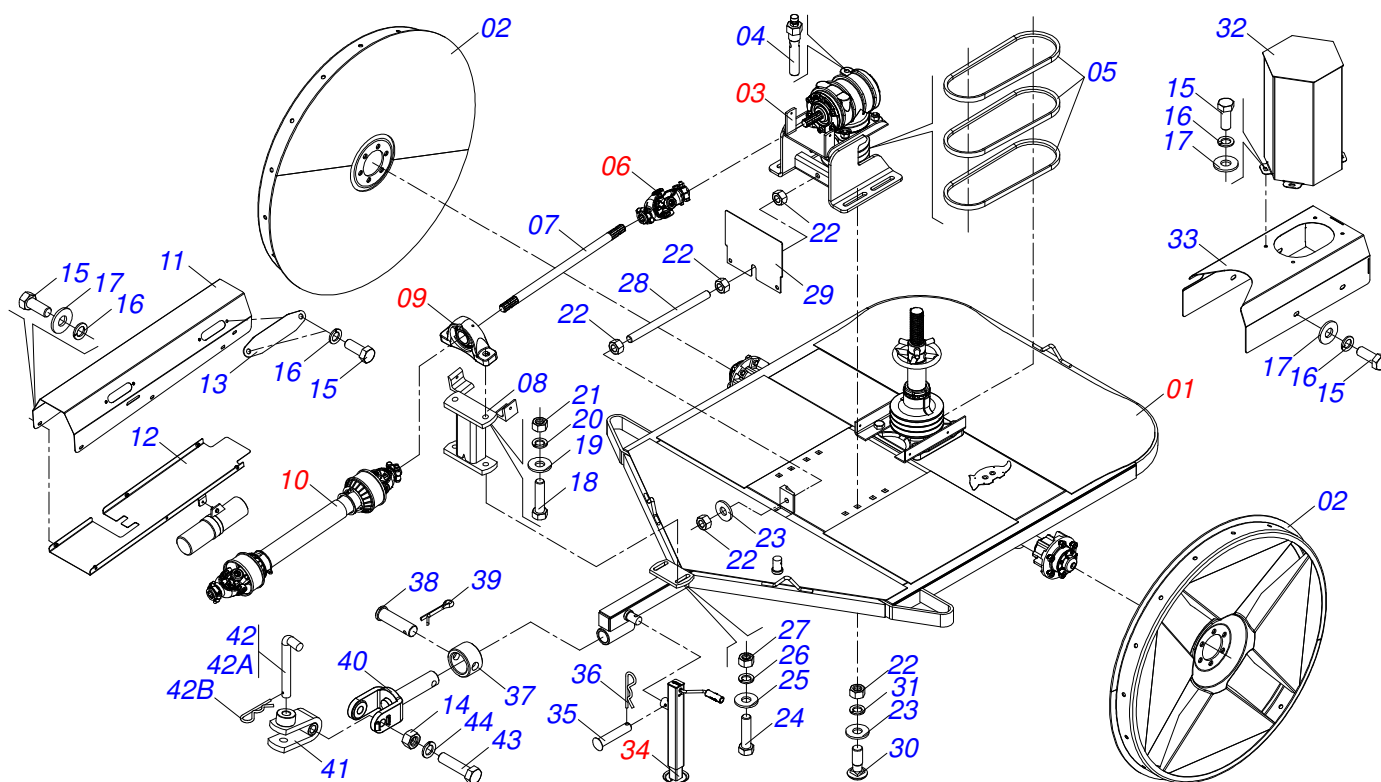
Code	Description
0104090022	ROAT2 1700 C/ENG GIRAT S-0516

ATTENTION: **IMPORTANT**

MARCHESAN S/A RESERVES THE RIGHT AT ANY TIME TO MAKE IMPROVEMENTS IN THE DESIGN, MATERIAL OR SPECIFICATIONS OF MACHINERY, EQUIPMENT OR PARTS WITHOUT THEREBY BECOMING LIABLE TO MAKE SIMILAR CHANGES IN MACHINERY, EQUIPMENT OR PARTS PREVIOUSLY SOLD.

INDEX

0521047124	ASSY FRAME	1
0501057741	SEMIFINISHED FRAME	2
0511046006	BASS MANDREL	3
0501057738	CUTTERS SUPPORT	4
0501051634	TSTUB SHAFT & HUB ASSY	5
0501051142	CARRYING WHEEL HUB	6
0501051826	MULTIPLIER WITH SUPPORT	7
0501046851	MULTIPLIER	8
0501044065	UNIVERSAL JOINT	9
0501044307	AGRICULTURAL BEARING ASSY	10
0501047952	DRIVE SHAFT	11
0503062157	HEADER JACK	12



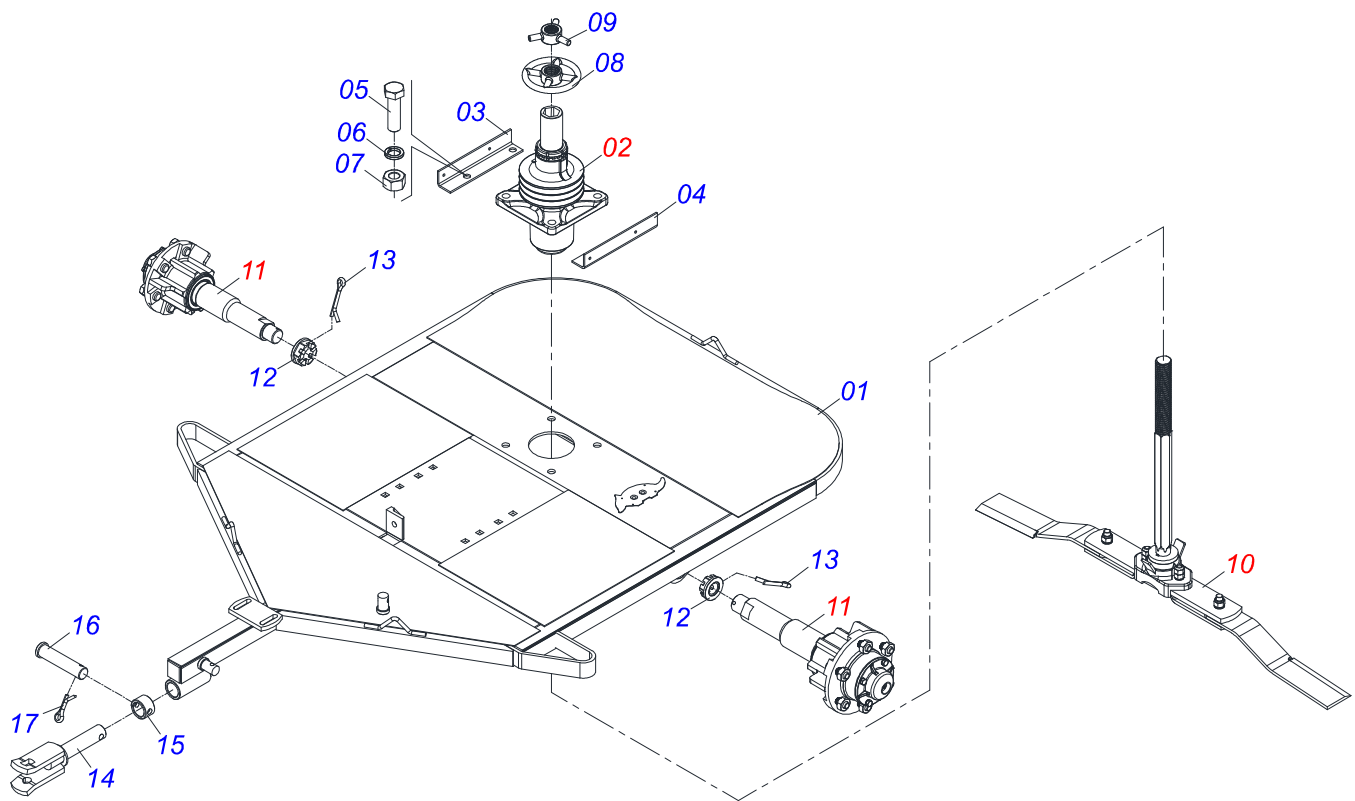
Item	Code	Description	QT
01	0501057741	SEMIFINISHED FRAME	01
02	0511061898	WHEEL	02
03	0501051826	MULTIPLIER WITH SUPPORT	01
04	0501110186	OIL SMALLER LEVEL INDICATOR	01
05	0503010153	C-51 BELT	03
06	0501044065	UNIVERSAL JOINT	01
07	0511011543	DRIVE AXLE	01
08	0501061174	BEARING SUPPORT	01
09	0501044307	AGRICULTURAL BEARING ASSY	01
10	0501047952	DRIVE SHAFT	01
11	0521067224	GREATER PROTECTION COVER SHAFT	01
12	0521067222	LOWER CAP AXLE PROTECTION	01
13	0581012546	LUBRICATION AXIS TRANSMISSION	02
14	0501010059	1.5/8 NUT	01
15	0503010256	3/8" X 3/4" BOLT	22
16	0503010025	3/8 SPRING WASHER	22
17	0501010984	FLAT WASHER	18
18	0503010734	1/2" X 2-1/2" BOLT	02
19	0511017302	FLAT WASHER	04
20	0503010019	1/2" SPRING WASHER	02
21	0503010060	1/2" NUT	02
22	0503010014	3/4" NUT	08
23	0501010322	FLAT WASHER	05
24	0503010233	5/8" X 2-1/2" BOLT	02
25	0501012140	FLAT WASHER	02
26	0503010027	SPRING WASHER	02
27	0503010013	5/8" NUT	02
28	0501013451	282 TENSIONER BODY	01
29	0581012545	PROTECTION BELT MULTIPLIER SUPPORT	01
30	0501017305	3/4" X 2-1/4" BOLT	04
31	0503010023	SPRING WASHER	04
32	0521067228	SHIELD AXLE PROTECTION COVER	01
33	0521067227	COVER PROTECTION BELT	01



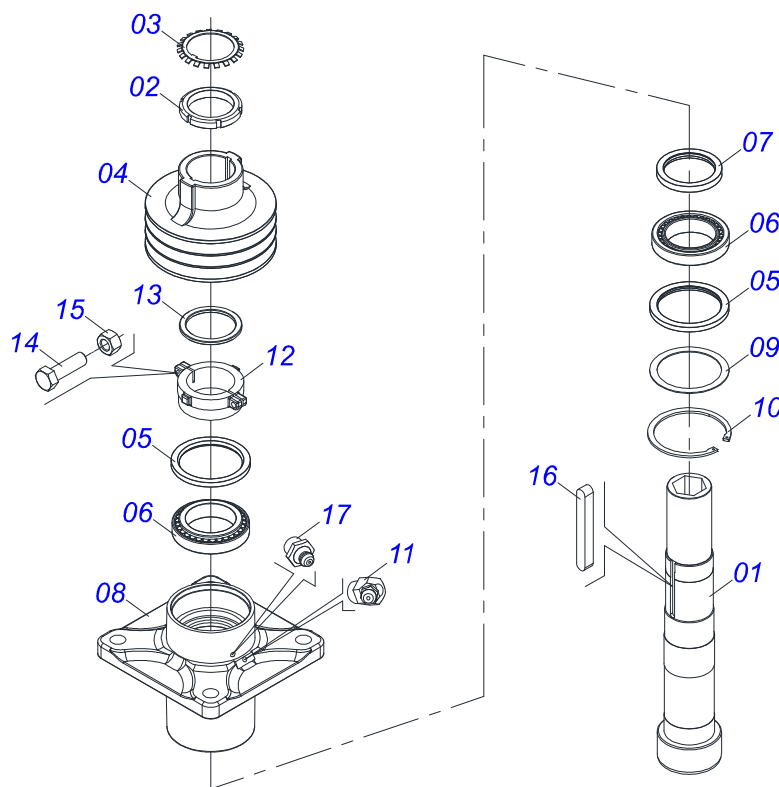
ASSY FRAME

0521047124

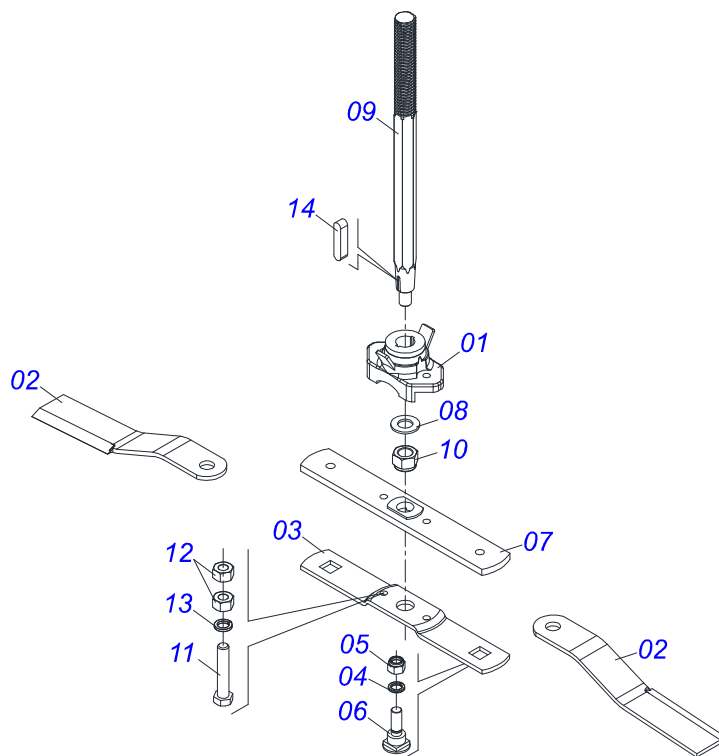
Item	Code	Description	QT
34	0503062157	HEADER JACK	01
35	0521010549	COUPLING SHAFT	01
36	0503030168	HAIR PIN	01
37	0521010681	BUSHING COUPLING BODY	01
38	0521010639	COUPLING SHAFT	01
39	0503010571	1/4" X 1.1/2 COTTERPIN	01
40	0521066536	ROTARY HITCH	01
41	0521065106	U COUPLING TRACTOR	01
42	0501040343	DDRAWBOLT ASSY	01
42A	0521010453	GCOUPLING SHAFT	01
42B	0503031035	HAIR PIN	01
43	0501010060	1" X 6-1/2" BOLT	01
44	0503010012	1" SPRING WASHER	01
45	0503031127	ADHESIVE LABEL	01
46	0503034247	ADHESIVE LABEL POINT LUBRICATION	03



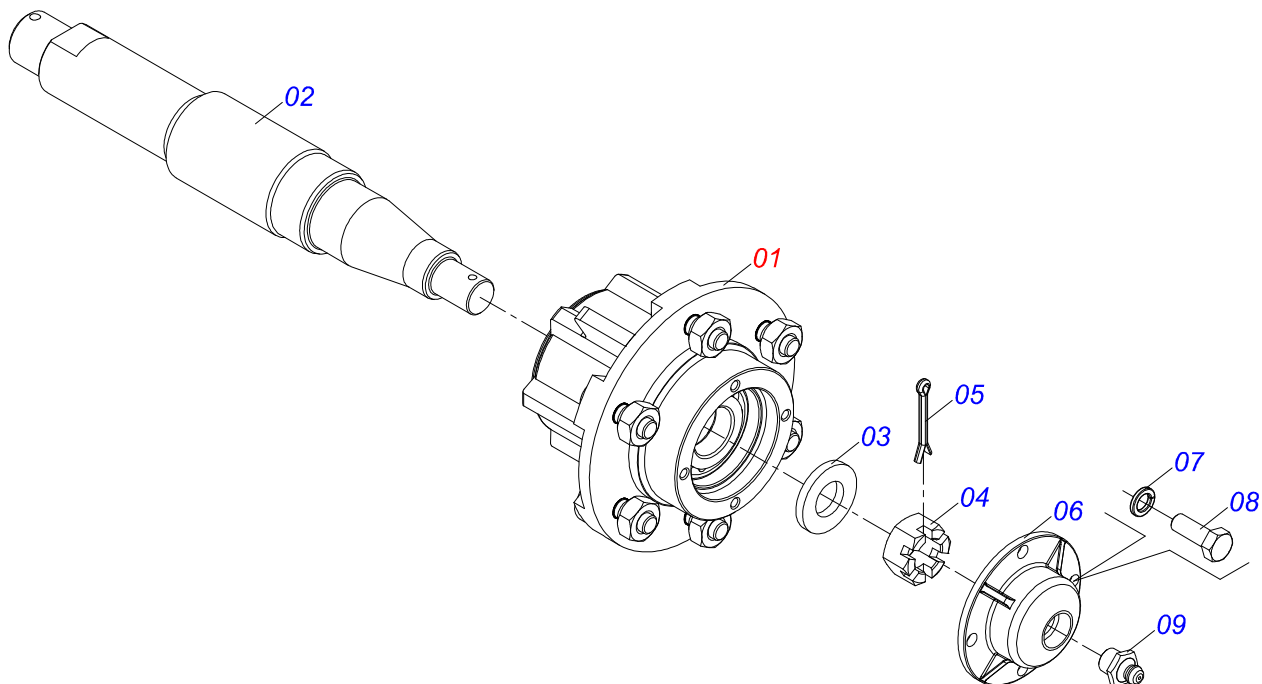
Item	Code	Description	QT
001	0511068798	FRAME ROAT2	01
002	0511046006	BASS MANDREL	01
003	0531017840	LEFT CORNER FOR FIX OF THE COVER	01
004	0531017841	RIGHT CORNER FOR FIX OF THE COVER	01
005	0501010171	PARAFUSO 1 UNC X 3.1/2 C S G.5	04
006	0503011438	SPRING WASHER	04
007	0501010059	1.5/8 NUT	04
008	0502012459	HANDLE ROAT2	01
009	0502012460	HANDLE LOCK	01
010	0501057738	CUTTERS SUPPORT	01
011	0501051634	TSTUB SHAFT & HUB ASSY	02
012	0501011301	1.1/2 UNC 6FPP 2.5/16 NUT	02
013	0503010010	1/4" X 2.1/2" COTTERPIN	02
014	0501069166	TRACTOR HITCH	01
015	0521010681	BUSHING COUPLING BODY	01
016	0521010639	COUPLING SHAFT	01
017	0503010571	1/4" X 1.1/2 COTTERPIN	01



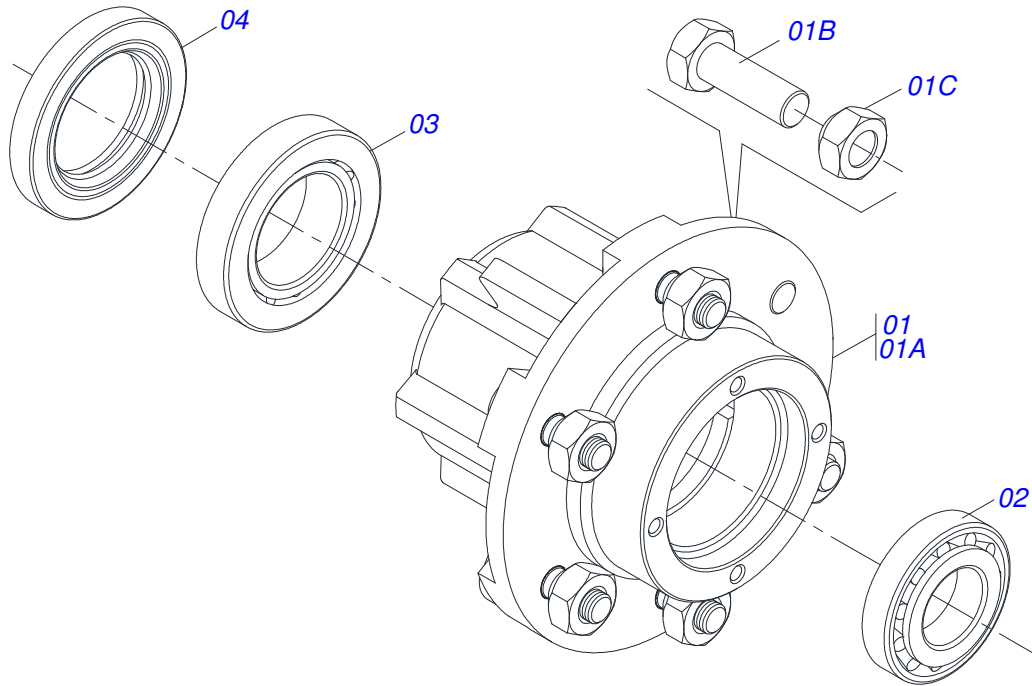
Item	Code	Description	QT
01	0502040767	MANDREL AXLE BODY	01
02	0503010554	KM- 16 LOCKNUT	01
03	0503010553	LOCK WASHER	01
04	0502012463	3 REEL 210 PULLEY	01
05	0503010095	01103-B SEAL	02
06	0503014559	ROLLER BEARING	02
07	0503014560	SEAL	01
08	0502012461	MANDREL BODY	01
09	0551015956	FLAT WASHER	01
10	0503014558	502135 CLAMPING RING (FOR HOLE)	01
11	0503010003	1845 GREASE FITTING	01
12	0502040768	ADJUSTMENT BUSHING	01
13	0551015954	WASHER	01
14	0503010751	C3/8" X 1.1/4" HEX BOLT G.5	02
15	0503010026	3/8" NUT	02
16	0501018488	3/8" X 3.1" KEYWAY SQUARE	02
17	0503010002	1800 GREASE FITTING	02



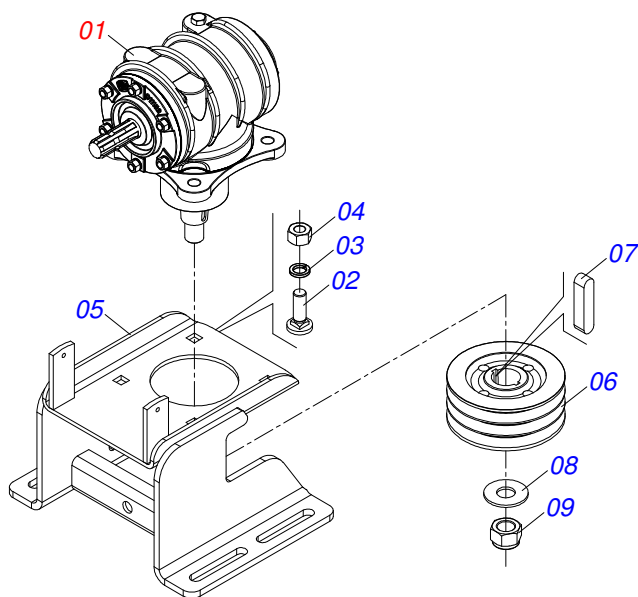
Item	Code	Description	QT
001	0502012453	SUPPORT FLANGE	01
002	0622400054	24.5" X 3.94" X 0.5" ROTARY CUTTER	02
003	0561017369	ROTARY LOWER SUPPORT LOWER	01
004	0503011447	SPRING WASHER	02
005	0503010812	7/8" SELF-ADJUSTING NUT	02
006	0511019000	BOLT	02
007	0561017307	SUPPORT UPPER BASE	01
008	0501017779	FLAT WASHER	01
009	0551015952	SUPPORT FIXER AXLE	01
010	0503010817	1-1/4" SELF-ADJUSTING NUT	01
011	0503011328	3/4" X 4" BOLT	02
012	0503010014	3/4" NUT	04
013	0503011442	3/4" SPRING WASHER	02
014	0501010536	KEYWAY SQUARE	02



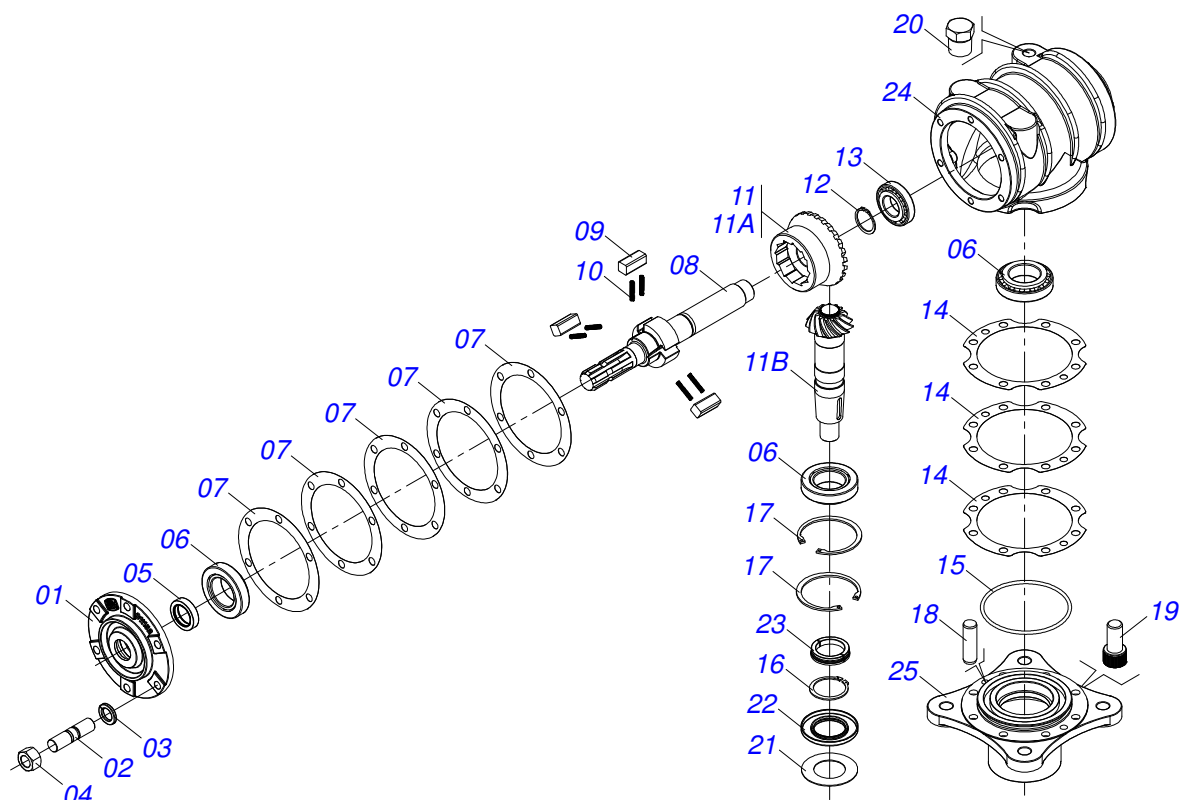
Item	Code	Description	QT
01	0501051142	CARRYING WHEEL HUB	01
02	0521010821	2.5" X 16.5" AXLE	01
03	0501016545	FLAT WASHER	01
04	0503030009	1" CASTLE NUT	01
05	0503010018	5/32 X 1-1/2 COTTERPIN	01
06	0502020591	PROTECCION COVER	01
07	0503011444	SPRING WASHER	04
08	0503010358	5/16" X 5/8" BOLT	04
09	0503010002	1800 GREASE FITTING	01



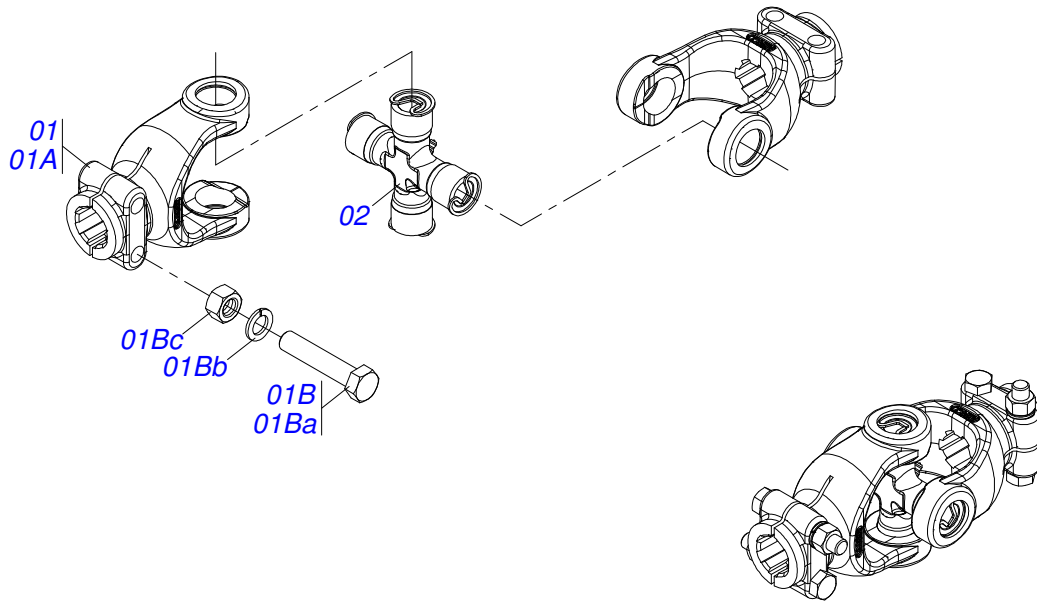
Item	Code	Description	QT
01	0501110728	WHEEL HUB	01
01A	0502011121	CARRYING WHEEL HUB	01
01B	0501010127	9/16" X 1-7/8" LUG BOLT	06
01C	0503010035	9/16" CONIC NUT	06
02	0503010037	30207 ROLLER BEARING	01
03	0503010006	32210 ROLLER BEARING	01
04	0503012928	SEAL	01



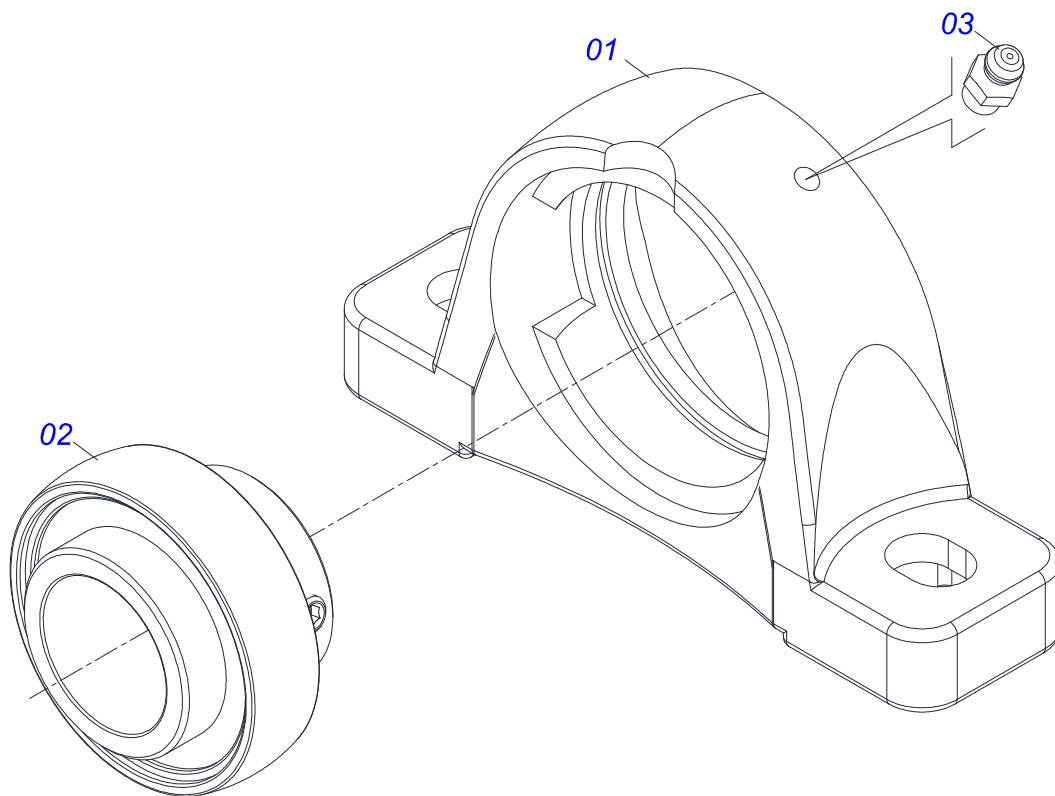
Item	Code	Description	QT
01	0501046851	MULTIPLIER	01
02	0501017305	3/4" X 2-1/4" BOLT	04
03	0503011442	3/4" SPRING WASHER	04
04	0503010014	3/4" NUT	04
05	0501068587	MULTIPLIER SUPPORT	01
06	0502010909	REEL X 7.5" X 1.97" PULLEY	01
07	0501010536	KEYWAY SQUARE	02
08	0561015762	FLAT WASHER	01
09	0503010817	1-1/4" SELF-ADJUSTING NUT	01



Item	Code	Description	QT
01	0502011152	SMALLER COVER	01
02	0503030084	1/2" X 1/2" X 2.0" STUD	06
03	0503011440	SPRING WASHER	06
04	0503010028	1/2" NUT	06
05	0503011171	00912-BRG SEAL	01
06	0503010006	32210 ROLLER BEARING	03
07	0503030783	7.1" X 5.3" X 0.008" JOINT	05
08	0503050063	UPPER AXLE	01
09	0501010649	RATCHET CLICK	03
10	0503030051	0.2" X 1" X 0.1" COMPRESSION SPRING	06
11	0503060210	CROWN PINION SET	01
11A	0503050074	25Z CONICAL GEAR	01
11B	0503061048	PINION	01
12	0503010217	501040 CLAMPING RING (FOR AXLE)	01
13	0503010037	30207 ROLLER BEARING	01
14	0503030785	7.9" X 5.9" X 0.008" JOINT	03
15	0503010286	2-355 N 3006-9B O-RING	01
16	0503010396	501060 CLAMPING RING (FOR AXLE)	01
17	0503011190	SEAL RING	02
18	0503017877	PIN GUIDE	02
19	0503010562	1/2" X 1" BOLT	08
20	0503031604	1/2" BSP PLUG	01
21	0521018064	FLAT WASHER	01
22	0503011047	5089 SEAL	01
23	0511010142	LOCK RING	01
24	0502010984	LEFT MULTIPLIER BOX	01
25	0502011393	LOWER HUB	01

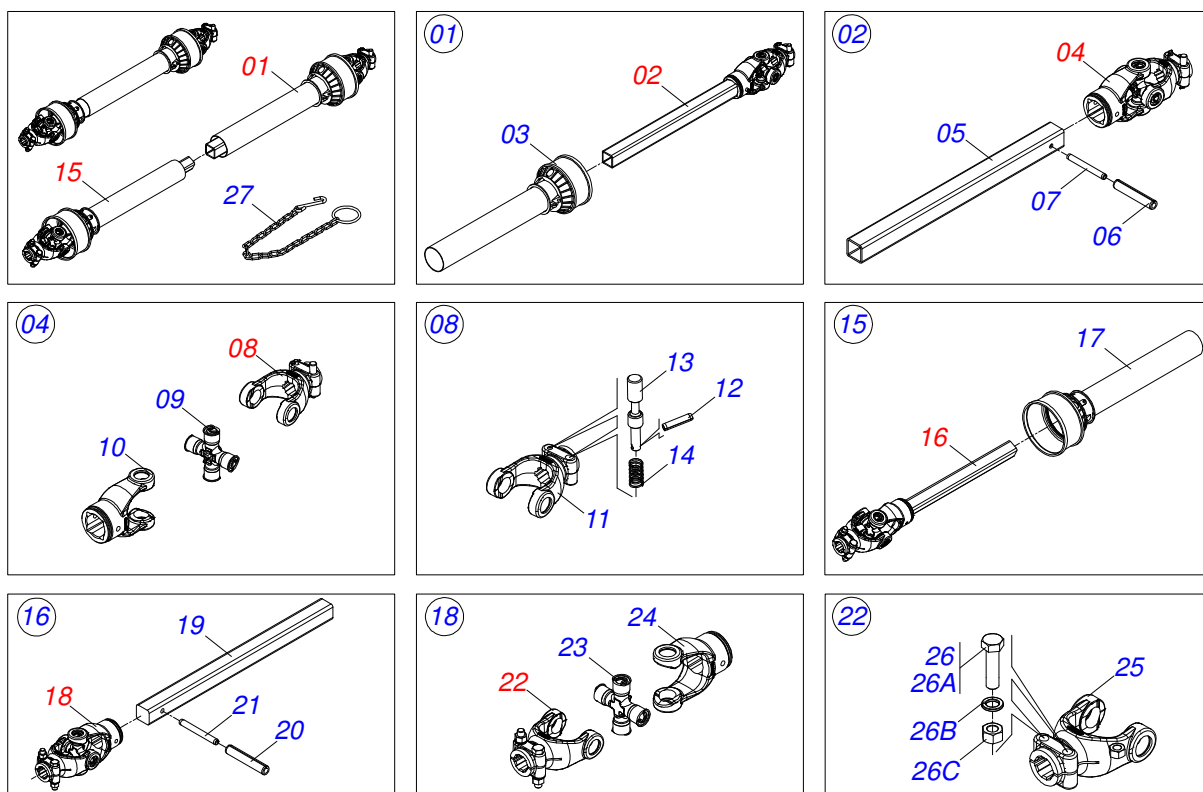


Item	Code	Description	QT
01	0501052516	T6-60 TERMINAL WITH SCREW	02
01A	0502010830	6-60 STRIATED 1.3/8" TERMINAL	02
01B	0501047756	1/2" X 3" SET PARTS	02
01Ba	0503010479	1/2" X 3" BOLT	02
01Bb	0503010019	1/2" SPRING WASHER	02
01Bc	0503010060	1/2" NUT	02
02	0503010837	CARDAN CROSSPIECE	01

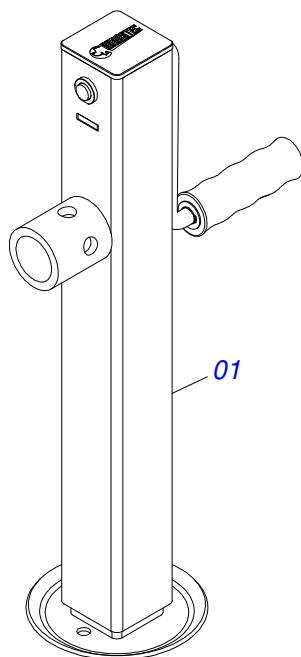


Item	Code	Description	QT
01	0503010596	AGRICULTURAL HOUSING BEARING	01
02	0503010597	BALL BEARING	01
03	0503010691	1/4" GREASE FITTING	01

DRIVE SHAFT



Item	Code	Description	QT
01	0501051705	UNIVERSAL JOINT WITH SLEEVE/PROT	01
02	0501051707	UNIVERSAL JOINT WITH SLEEVE	01
03	0503012084	PROTECTION FOR UNIV JOINT AND SLEEV	01
04	0501051708	UNIVERSAL JOINT	01
05	0511010332	23" X 1.8" SQUARE SLEEVE	01
06	0503010843	0.4" X 3.3" SPRING PIN	01
07	0503011878	0.2" X 3.3" SPRING PIN	01
08	0501050334	1-60 TERMINAL WITH QUICK HITCH	01
09	0503010837	CARDAN CROSSPIECE	01
10	0502011422	2-60 TERMINAL	01
11	0502010568	1-60 STRIATED 1.3/8" TERMINAL	01
12	0503010838	0.1" X 0.8" SPRING PIN	02
13	0503037375	PIN QUICK COUPLING	02
14	0503030518	0.5"X1.0"X 0.1" COMPRESSION SPRING	02
15	0501051706	UNIVERSAL JOINT WITH AXLE/PROT	01
16	0501051709	UNIVERSAL JOINT WITH SHAFT	01
17	0503012085	PROTECTION FOR UNIV JOINT AND AXLE	01
18	0501051710	UNIVERSAL JOINT	01
19	0511010326	1.4" X 23" SQUARE SHAFT	01
20	0503011069	0.4" X 2.8" SPRING PIN	01
21	0503011805	0.2" X 2.8" SPRING PIN	01
22	0501052516	T6-60 TERMINAL WITH SCREW	01
23	0503010837	CARDAN CROSSPIECE	01
24	0502011424	3-60 TERMINAL	01
25	0502010830	6-60 STRIATED 1.3/8" TERMINAL	01
26	0501047756	1/2" X 3" SET PARTS	02
26a	0503010479	1/2" X 3" BOLT	01
26b	0503010019	1/2" SPRING WASHER	01
26c	0503010060	1/2" NUT	01
27	0503012023	CHAIN FOR UNIV JOINT PROTECTION	02



Item	Code	Description	QT
01	0503062157	HEADER JACK	01



MARCHESAN IMPLEMENTOS E MÁQUINAS AGRÍCOLAS TATU S.A.

AV. Marchesan, 1979 - Post office box, 131 - CEP 15994-900 - Matão - SP - Brazil

Phone +55 16.3382-8282

(FAX Parts) + 55 16.3382. 8297 - (Export) + 55 16.3382.1003

e.mail: tatu@marchesan.com.br www.marchesan.com.br

Technical Publications: Elaboration

ALESSANDRA PATRICIA KAWAHARA CARRILI

Technical Publications: Revision

ALESSANDRA PATRICIA KAWAHARA CARRILI

Contact Catálogo:

E-mail = jgaspari@marchesan.com.br

**ORIGINAL PARTS
TATU**

