

PARTS CATALOG

DOUBLE OFFSET DISK HARROW

GTLD QL 56 60 64

Code: 0501092200



Series: S-0198

Rev.: 00

Date Rev.: JUNHO/2018

**ORIGINAL PARTS
TATU**



PRODUCTS

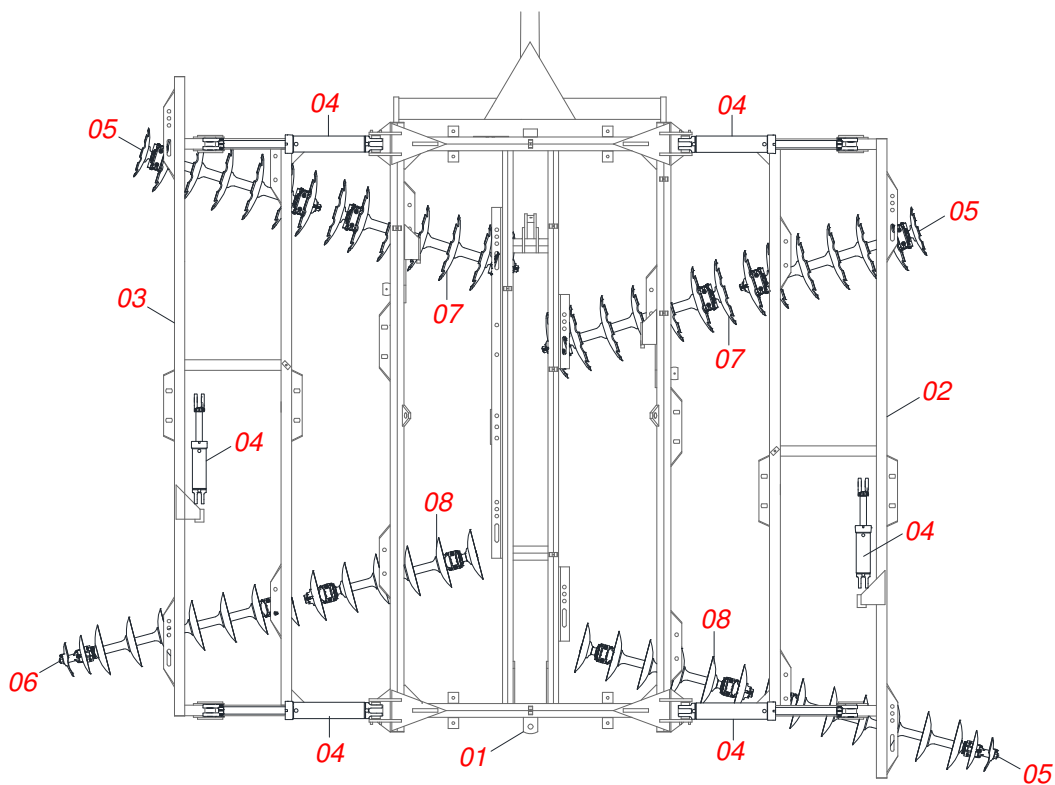
Code	Description
0102430505	GTLD-QL 56 X 24 X 4,75 DM MT RLH
0102430636	GTLD-QL 56 X 24 X 6 DM DR RLH S-0198
0102430506	GTLD-QL 56 X 26 X 6,00 DM MT RLH
0102430507	GTLD-QL 60 X 24 X 4,75 DM MT RLH
0102430516	GTLD-QL 60 X 26 X 6,00 DM MT RLH
0102430517	GTLD-QL 64 X 24 X 4,75 DM MT RLH
0102430508	GTLD-QL 64 X 26 X 6,00 DM MT RLH

ATTENTION: **IMPORTANT**

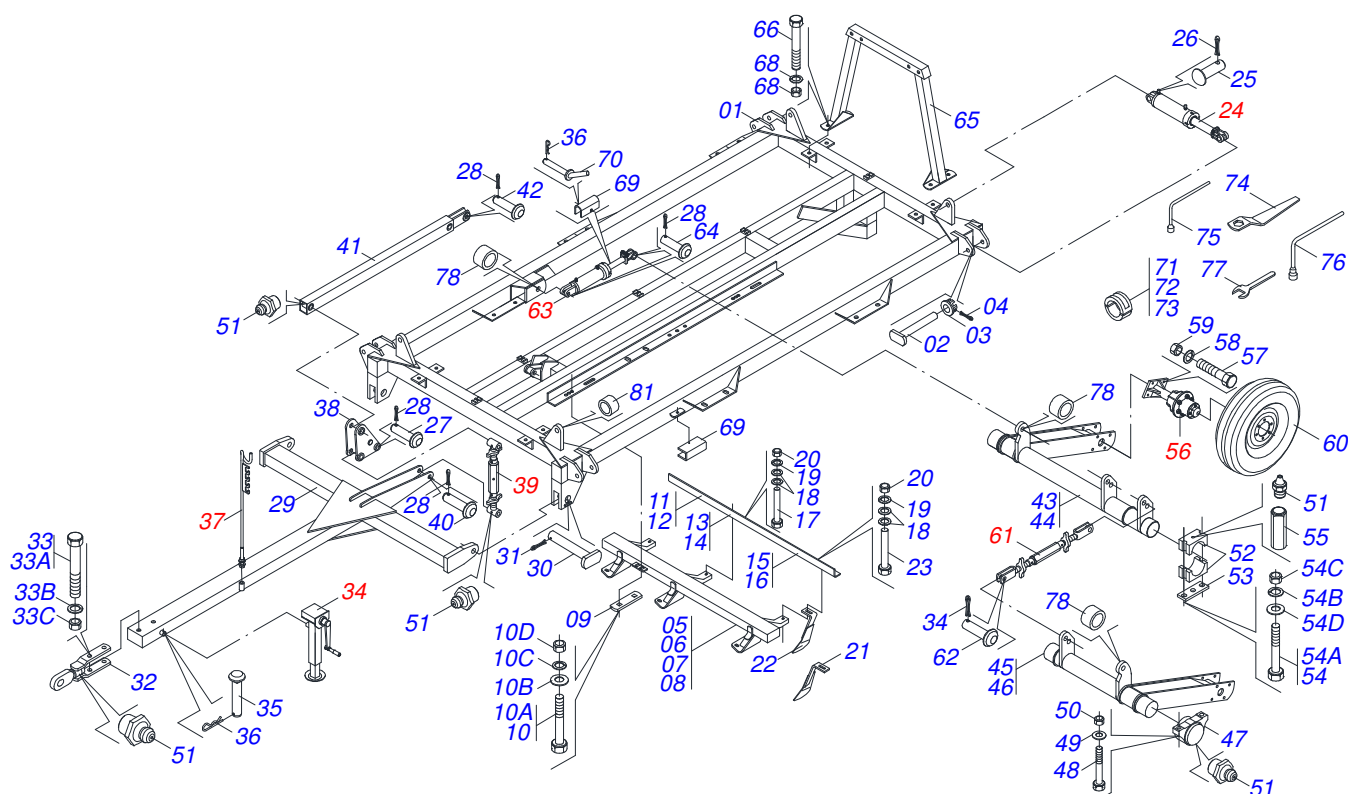
MARCHESAN S/A RESERVES THE RIGHT AT ANY TIME TO MAKE IMPROVEMENTS IN THE DESIGN, MATERIAL OR SPECIFICATIONS OF MACHINERY, EQUIPMENT OR PARTS WITHOUT THEREBY BECOMING LIABLE TO MAKE SIMILAR CHANGES IN MACHINERY, EQUIPMENT OR PARTS PREVIOUSLY SOLD.

INDEX

0909094313	GTLD QL 56/60/64	1
0909091387	CENTRAL FRAME 56/60/64	2
0909094304	RIGHT SIDE FRAME 56/60/64	3
0909094305	LEFT SIDE FRAME 56/60/64	4
0503062157	HEADER JACK	5
0501040257	3/4 X 1200 HOSE HOLDER A	6
0501044204	ESTABILIZER ASSY	7
0501051631	STUB SHAFT & HUB ASSY	8
0501045162	CARRYING WHEELS ESTABILIZER ASSY	9
0501047912	HYDRAULIC CYLINDER	10
0511058298	HYDRAULIC CYLINDER	11
0521045636	HYDRAULIC CYLINDER	12
0909094209	HYDRAULIC CIRCUIT	13
0909094211	GANG DISCS FRONT SIDE 56 60 64	14
0909094212	FRONT CENTER DISC SECTION 56 60 64	15
0909094245	REAR CENTRAL DISC SECTION 56 60 64	16
0909094248	GANG DISCS REAR SIDE 56 60 64	17



Item	Code	Description	QT
01	0909091387	CENTRAL FRAME 56/60/64	
02	0909094304	RIGHT SIDE FRAME 56/60/64	
03	0909094305	LEFT SIDE FRAME 56/60/64	
04	0909094209	HYDRAULIC CIRCUIT	
05	0909094211	GANG DISCS FRONT SIDE 56 60 64	
06	0909094248	GANG DISCS REAR SIDE 56 60 64	
07	0909094212	FRONT CENTER DISC SECTION 56 60 64	
08	0909094245	REAR CENTRAL DISC SECTION 56 60 64	

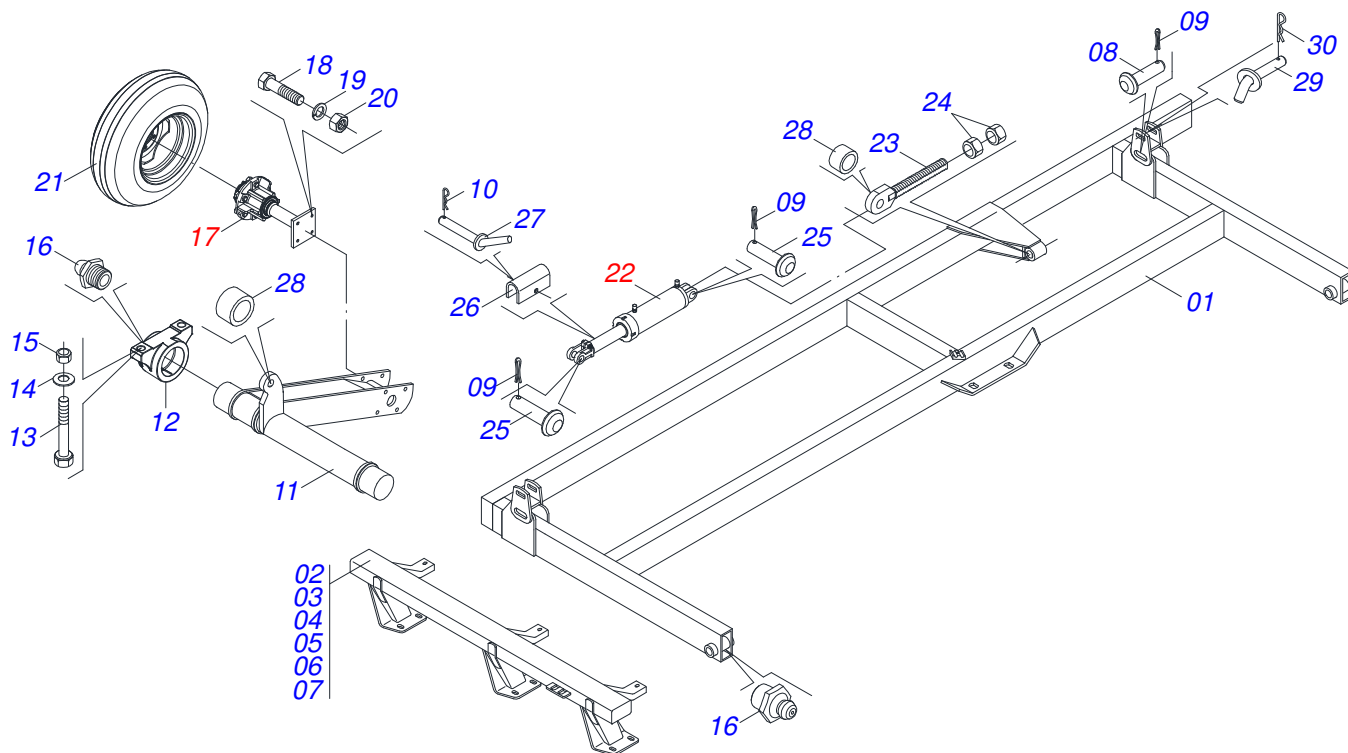


Item	Code	Description	56	60	64
01	0511043879	FRAME CENTRAL GTLD-QL 56A80	01	01	01
02	0511010703	PIVOT SHAFT	04	04	04
03	0501011301	1.1/2 UNC 6FPP 2.5/16 NUT	04	04	04
04	0503010010	1/4" X 2.1/2" COTTERPIN	04	04	04
05	0501067444	RIGHT FRONT CENTRAL FRAME	01	01	01
06	0501067445	LEFT FRONT CENTRAL FRAME	01	01	01
07	0501067446	RIGHT CENTRAL REAR FRAME	01	01	01
08	0501067447	LEFT CENTRAL REAR FRAME	01	01	01
09	0511013056	FIXING BASE FRAME	16	16	16
10	0511042229	1" X 6" BOLT	32	32	32
10A	0503013113	1" X 6" BOLT	32	32	32
10B	0501010065	1" SPRING WASHER	32	32	32
10C	0503010012	1" SPRING WASHER	32	32	32
10D	0501010059	1.5/8 NUT	32	32	32
11	0511012604	1250 BAR FIX SCRAPER	02	02	02
12	0511012596	1480 FIX BAR SCRAPER	04	02	02
13	0511012599	1940 BAR FIX SCRAPER	02	00	02
14	0511012595	1710 BAR FIX SCRAPER	00	02	00
15	0511012597	2170 BAR FIX SCRAPER	00	02	00
16	0511013545	2400 BAR FIXER SCRAPER	00	00	02
17	0503010740	1/2" X 2" BOLT	16	16	18
18	0511017302	FLAT WASHER	116	124	132
19	0503010019	1/2" SPRING WASHER	58	62	66
20	0503010060	1/2" NUT	58	62	66
21	0501067394	LH FRONT/RH REAR SCRAPER	29	31	33
22	0501067395	LH FRONT/RH REAR SCRAPER	29	32	33
23	0503011082	C1/2" X 1.3/4" BOLT	42	44	45
24	0501047912	HYDRAULIC CYLINDER	02	02	02
25	0521010576	0.9" X 3.7" COUPLING SHAFT	04	04	04
26	0503010571	1/4" X 1.1/2 COTTERPIN	04	04	04
27	0501019719	1.1/4" X 155MM COUPLING SHAFT	03	03	03
28	0503010523	1/4" X 2" COTTERPIN	15	15	15
29	0501066067	DRAWBAR	01	01	01

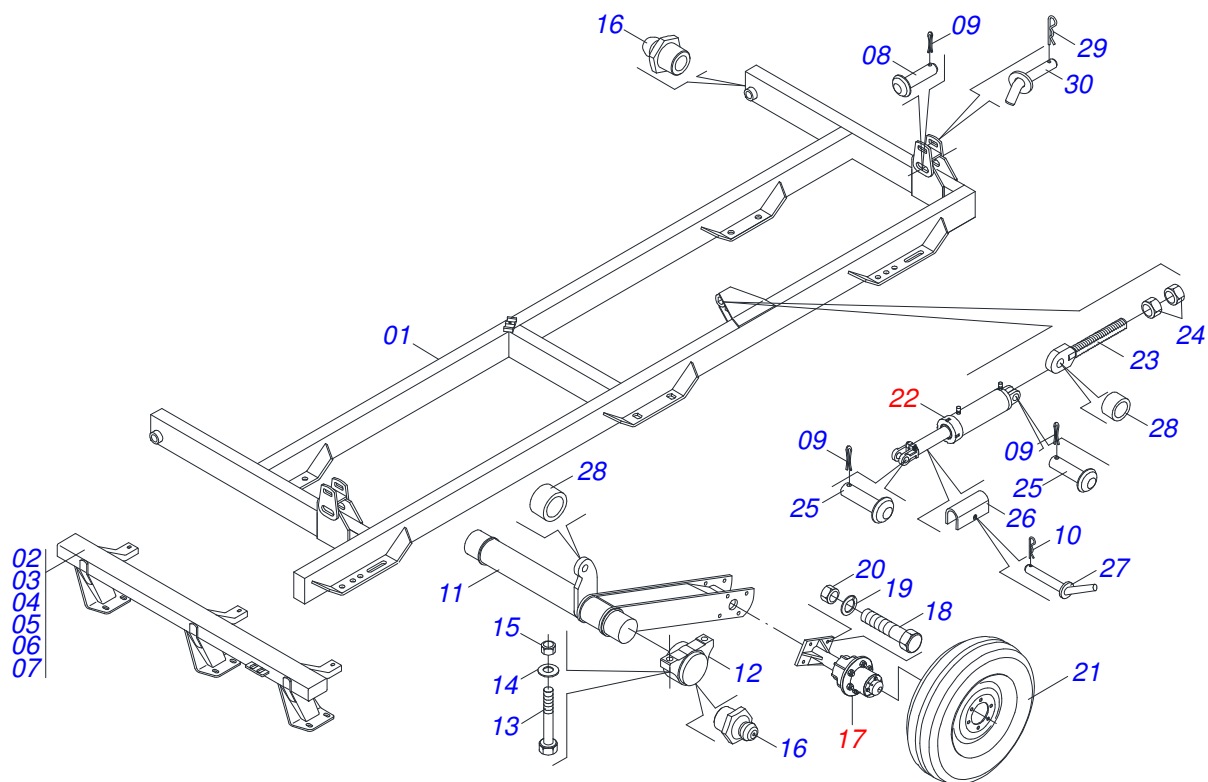


GTLD QL 56 60 64
CENTRAL FRAME 56/60/64

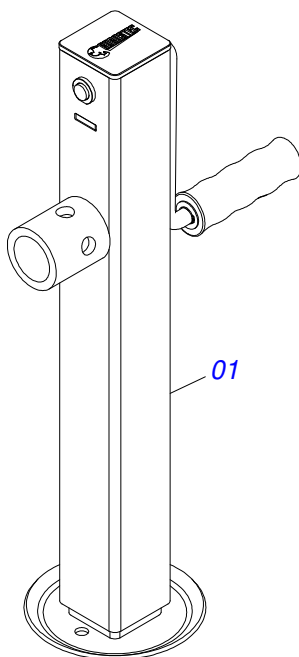
Item	Code	Description	56	60	64
30	0521010620	1.5" X 4.6" COUPLING SHAFT	02	02	02
31	0503010534	3/8 X 2-1/2 COTTERPIN	02	02	02
32	0501065901	TRACTOR HITCH	02	02	02
33	0501041894	1" X 7" ASSY BOLT	02	02	02
33A	0501010334	1" X 7" BOLT	02	02	02
33B	0503011438	SPRING WASHER	02	02	02
33C	0501010059	1.5/8 NUT	02	02	02
34	0503062157	HEADER JACK	01	01	01
35	0521010549	COUPLING SHAFT	01	01	01
36	0503030168	HAIR PIN	03	03	03
37	0501040257	3/4 X 1200 HOSE HOLDER A	01	01	01
38	0501065531	ROCKER ARM	01	01	01
39	0501044204	ESTABILIZER ASSY	01	01	01
40	0521010546	1.2" X 5.7" COUPLING SHAFT	07	07	07
41	0501067527	STABILIZER BAR	01	01	01
42	0521010780	1.2" X 4.5" COUPLING SHAFT	01	01	01
43	0501069059	RH CARRYING-WHEELS SUPPORT	01	01	01
44	0501069060	LH CARRYING-WHEELS SUPPORT	01	01	01
45	0501069116	RW SIDE CARRYING-WHEEL FIXATION SUP	01	01	01
46	0501069117	LW SIDE CARRYING-WHEEL FIXATION SUP	01	01	01
47	0502010972	ARTICULACION BEARING	07	07	07
48	0503011432	1" X 4" BOLT	14	14	14
49	0501010065	1" SPRING WASHER	14	14	14
50	0501010059	1.5/8 NUT	28	28	28
51	0503010002	1800 GREASE FITTING	11	11	11
52	0502010673	BEARING SEMI	02	02	02
53	0501015593	SUPPORT PLATE	01	01	01
54	0501042309	1" X 9" AR ASSY BOLT	02	02	02
54A	0501010064	1" X 9" BOLT	02	02	02
54B	0503010012	1" SPRING WASHER	02	02	02
54C	0501010059	1.5/8 NUT	02	02	02
54D	0503010012	1" SPRING WASHER	02	02	02
55	0501019757	EXTENSION GREASE FITTING	02	02	02
56	0501051631	STUB SHAFT & HUB ASSY	06	06	06
57	0503010899	5/8" X 2-1/4" BOLT	16	16	16
58	0503010027	SPRING WASHER	16	16	16
59	0503010013	5/8" NUT	16	16	16
60	0503060091	L29.5"X0.63"-10L WHEEL AND	06	06	06
61	0501045162	CARRYING WHEELS ESTABILIZER ASSY	01	01	01
62	0521010778	1.25" X 3.15" COUPLING SHAFT	02	02	02
63	0521045636	HYDRAULIC CYLINDER	02	02	02
64	0521012538	1.2" X 3.5" COUPLING SHAFT	06	06	06
65	0501066242	BEATER CENTRAL	02	02	02
66	0501010098	HEX BOLT 3/4 UNC X 2 C S G.5 ZN	08	08	08
67	0503010023	SPRING WASHER	08	08	08
68	0503010014	3/4" NUT	08	08	08
69	0511010839	TRANSPORT LOCK 7.9" X 2.1" X 0.4"	02	02	02
70	0501068994	0.3" X 3.1"LOCK PIN	02	02	02
71	0501047895	ROD STOP	02	02	02
72	0501047885	ROD STOP	02	02	02
73	0501047887	ROD STOP	02	02	02
74	0501011432	1-1/2" AND 1-5/8 GANG BOLT WRENCH	02	02	02
75	0501061045	1" WRENCH CYLINDRICAL	01	01	01
76	0501068273	5/8" WRENCH	01	01	01
77	0511010153	2-5/16" FIXED WRENCH	01	01	01
78	0511019921	1.3" X 0.1" X 1" SLEEVE	10	10	10



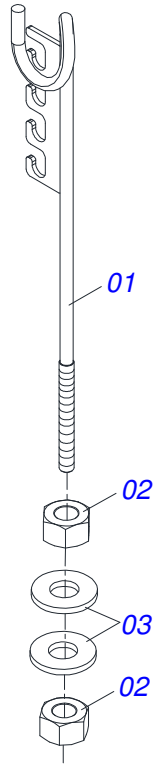
Item	Code	Description	56 60 64
01	0501068033	HR SIDE FRAME GTID	01 01 01
02	0501068034	RIGHT FRONT SIDE FRAME	01 00 00
03	0501068036	RIGHT SIDE REAR FRAME	01 00 00
04	0501068623	RIGHT FRONT SIDE FRAME	00 01 00
05	0501068040	RIGHT SIDE REAR FRAME	00 01 00
06	0501068625	RIGHT FRONT SIDE FRAME	00 00 01
07	0501068044	RIGHT SIDE REAR FRAME	00 00 01
08	0501019719	1.1/4" X 155MM COUPLING SHAFT	02 02 02
09	0503010523	1/4" X 2" COTTERPIN	04 04 04
10	0503030168	HAIR PIN	01 01 01
11	0501069116	RW SIDE CARRYING-WHEEL FIXATION SUP	01 01 01
12	0502010972	ARTICULACION BEARING	01 01 01
13	0503011432	1" X 4" BOLT	02 02 02
14	0501010065	1" SPRING WASHER	02 02 02
15	0501010059	1.5/8 NUT	02 02 02
16	0503010002	1800 GREASE FITTING	03 03 03
17	0501051631	STUB SHAFT & HUB ASSY	01 01 01
18	0503010899	5/8" X 2-1/4" BOLT	04 04 04
19	0503010027	SPRING WASHER	04 04 04
20	0503010013	5/8" NUT	04 04 04
21	0503060091	L29.5"X0.63"-10L WHEEL AND	01 01 01
22	0511058298	HYDRAULIC CYLINDER	01 01 01
23	0501063989	HYDRAULIC CYLINDER REGULATOR	01 01 01
24	0501010110	1.1/2" NUT	02 02 02
25	0521012538	1.2" X 3.5" COUPLING SHAFT	02 02 02
26	0511010839	TRANSPORT LOCK 7.9" X 2.1" X 0.4"	01 01 01
27	0501068994	0.3" X 3.1" LOCK PIN	01 01 01
28	0511019921	1.3" X 0.1" X 1" SLEEVE	01 01 01
29	0501069081	19,05 X 150 LOCK PIN	02 02 02
30	0503030012	HAIR PIN	02 02 02



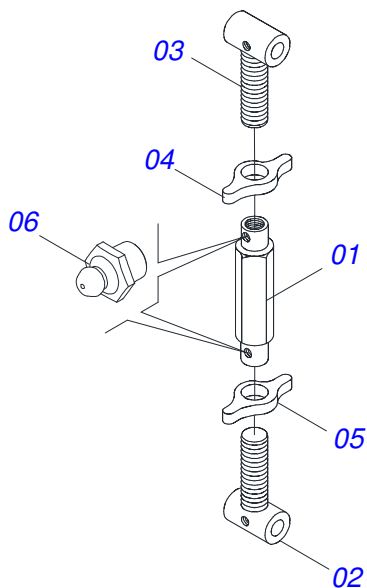
Item	Code	Description	QT
01	0501068058	HL SIDE FRAME	01 01 01
02	0501068035	LEFT FRONT SIDE FRAME	01 00 00
03	0501068037	LEFT SIDE REAR FRAME	01 00 00
04	0501068624	LEFT FRONT SIDE FRAME	00 01 00
05	0501068041	LEFT SIDE REAR FRAME	00 01 00
06	0501068626	LEFT FRONT SIDE FRAME	00 00 01
07	0501068045	LEFT SIDE REAR FRAME	00 00 01
08	0501019719	1.1/4" X 155MM COUPLING SHAFT	02 02 02
09	0503010523	1/4" X 2" COTTERPIN	04 04 04
10	0503030168	HAIR PIN	01 01 01
11	0501069117	LW SIDE CARRYING-WHEEL FIXATION SUP	01 01 01
12	0502010972	ARTICULACION BEARING	01 01 01
13	0503011432	1" X 4" BOLT	02 02 02
14	0501010065	1" SPRING WASHER	02 02 02
15	0501010059	1.5/8 NUT	02 02 02
16	0503010002	1800 GREASE FITTING	03 03 03
17	0501051631	STUB SHAFT & HUB ASSY	01 01 01
18	0503010899	5/8" X 2-1/4" BOLT	04 04 04
19	0503010027	SPRING WASHER	04 04 04
20	0503010013	5/8" NUT	04 04 04
21	0503060091	L29.5"X0.63"-10L WHEEL AND	01 01 01
22	0511058298	HYDRAULIC CYLINDER	01 01 01
23	0501063989	HYDRAULIC CYLINDER REGULATOR	01 01 01
24	0501010110	1.1/2" NUT	02 02 02
25	0521012538	1.2" X 3.5" COUPLING SHAFT	02 02 02
26	0511010839	TRANSPORT LOCK 7.9" X 2.1" X 0.4"	01 01 01
27	0501068994	0.3" X 3.1" LOCK PIN	01 01 01
28	0511019921	1.3" X 0.1" X 1" SLEEVE	01 01 01
29	0503030012	HAIR PIN	02 02 02
30	0501069081	19,05 X 150 LOCK PIN	02 02 02



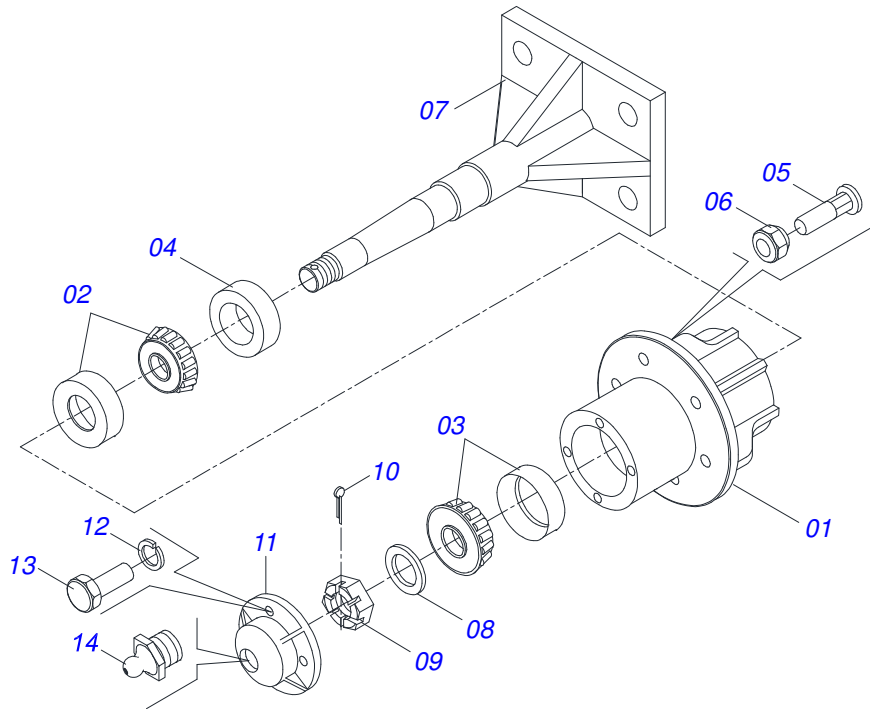
Item	Code	Description	QT
01	0503062157	HEADER JACK	01



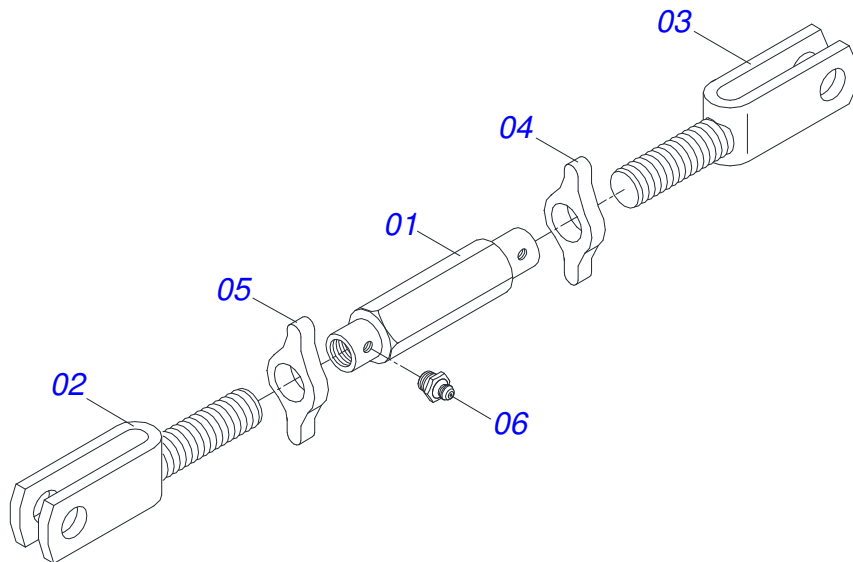
Item	Code	Description	QT
01	0511067334	HOSE SOPPORT ASSY	01
02	0503010014	3/4" NUT	02
03	0501010322	FLAT WASHER	02



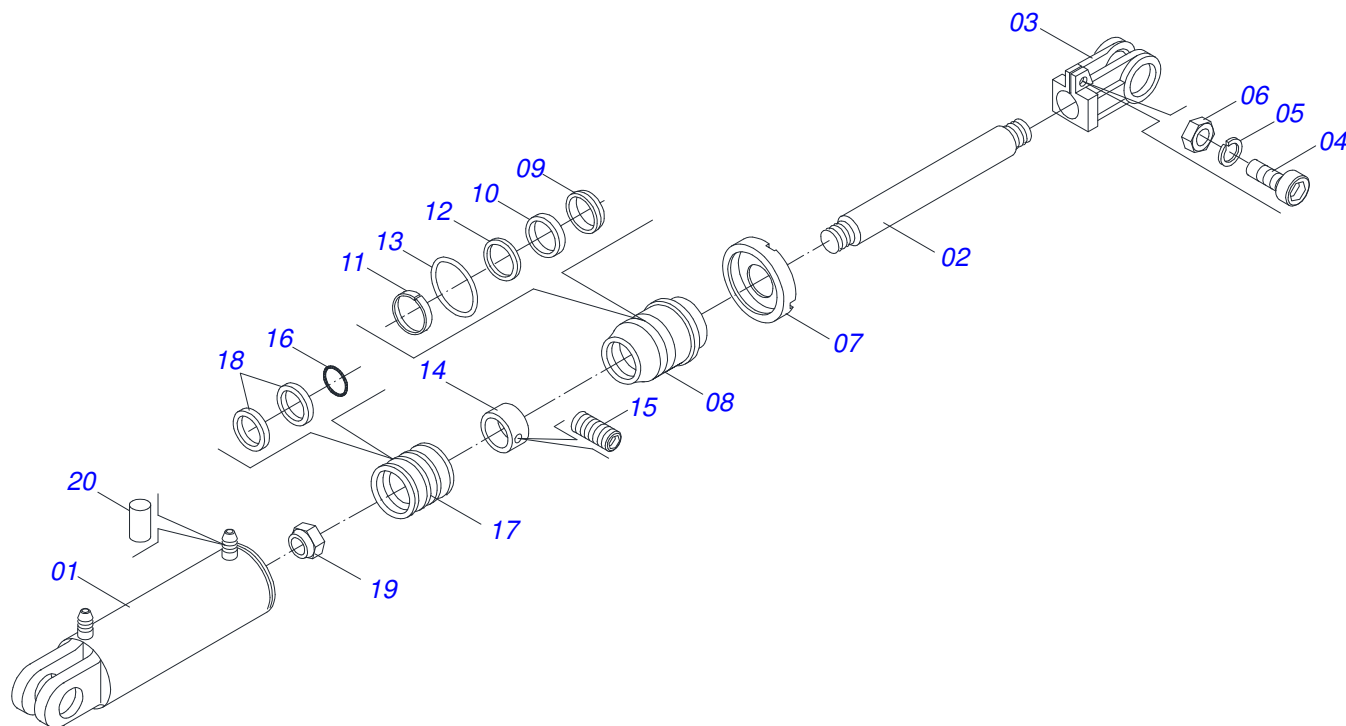
Item	Code	Description	
01	0502011195	ADJUSTMENT NUT BODY	01
02	0501064002	LEFT JACK CRANK	01
03	0501064001	RIGHT JACK CRANK	01
04	0541018672	COUNTERNUT	01
05	0541018673	COUNTERNUT	01
06	0503010002	1800 GREASE FITTING	02



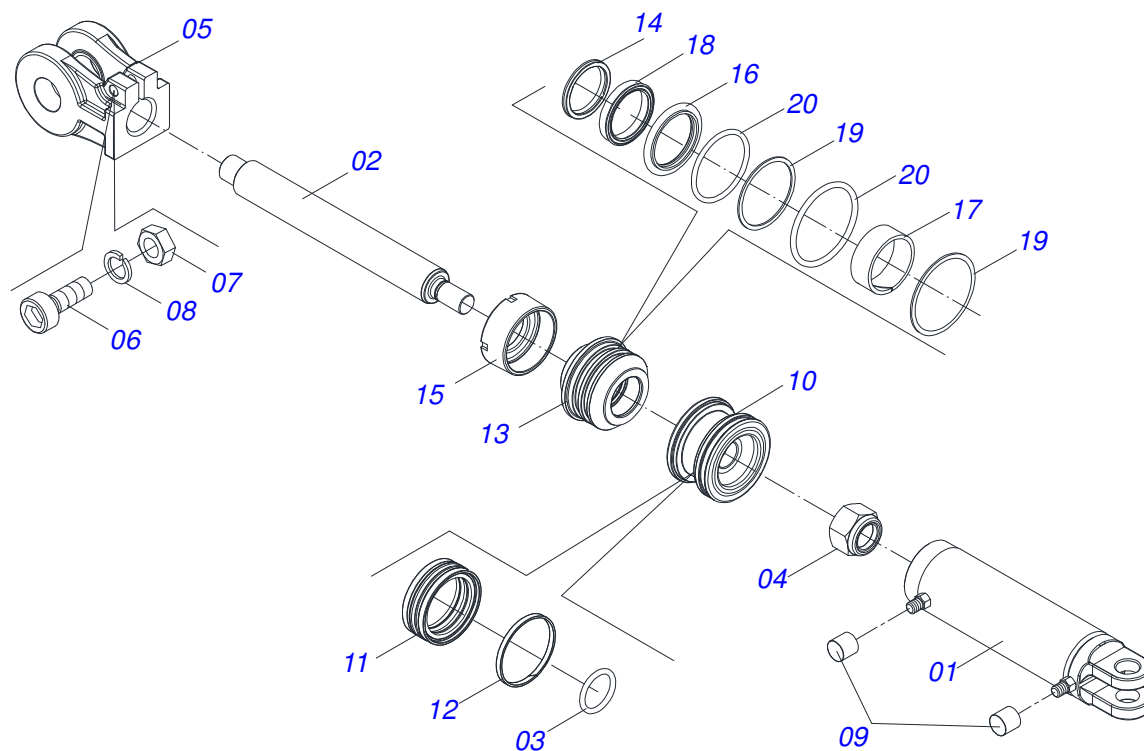
Item	Code	Description	QT
01	0502011121	CARRYING WHEEL HUB	01
02	0503010006	32210 ROLLER BEARING	01
03	0503010037	30207 ROLLER BEARING	01
04	0503012928	SEAL	01
05	0501010127	9/16" X 1-7/8" LUG BOLT	06
06	0503010035	9/16" CONIC NUT	06
07	0501069087	CARRYING-WHEEL FIXATION SUPPORT	01
08	0501016545	FLAT WASHER	01
09	0503030009	1" CASTLE NUT	01
10	0503010018	5/32 X 1-1/2 COTTERPIN	01
11	0502020591	PROTECCION COVER	01
12	0503011444	SPRING WASHER	04
13	0503010358	5/16" X 5/8" BOLT	04
14	0503010002	1800 GREASE FITTING	01



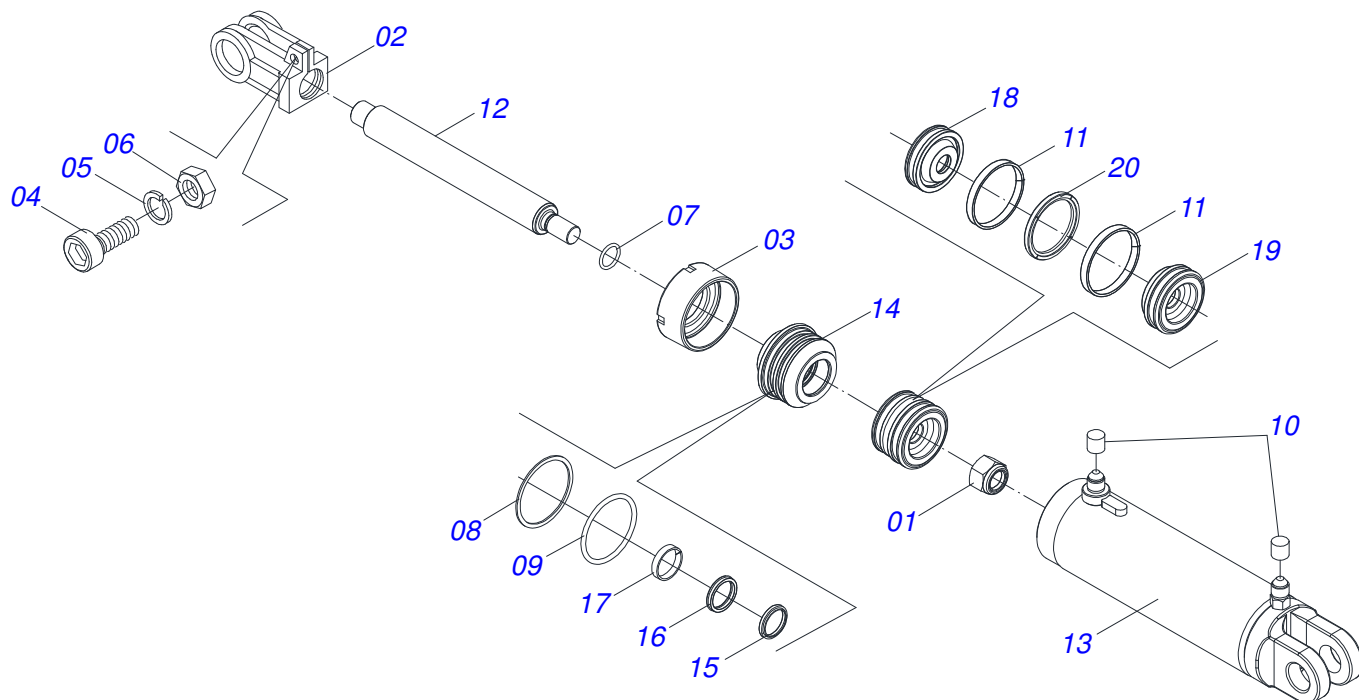
Item	Code	Description	QT
01	0502011195	ADJUSTMENT NUT BODY	01
02	0501066930	LEFT TURNBUCKLE	01
03	0501066931	RIGTH TURNBUCKLE	01
04	0541018672	COUNTERNUT	02
05	0541018673	COUNTERNUT	02
06	0503010002	1800 GREASE FITTING	04



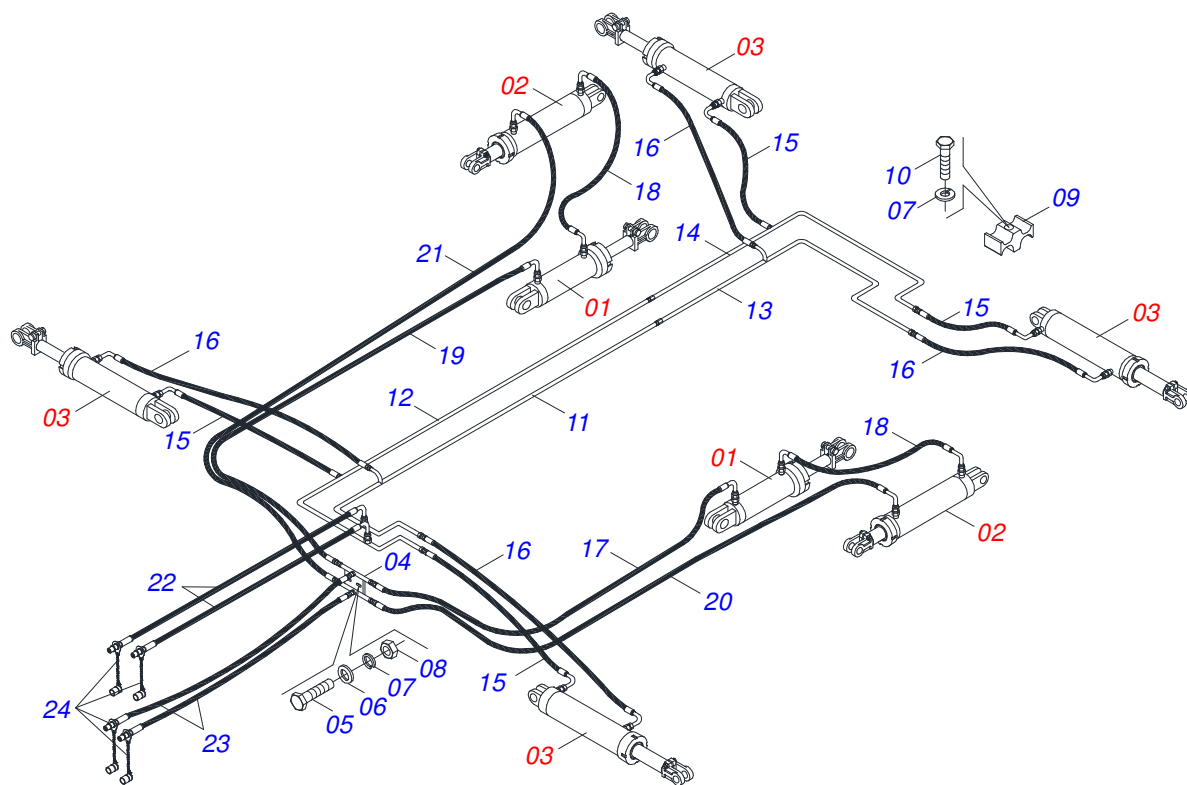
Item	Code	Description	QT
01	0501067324	4" X 24" CYLINDER CASE	01
02	0511017801	2"X 29.33" TURNBUCLE	01
03	0502040747	FORK	01
04	0503011094	3/8" X 2" BOLT C C S I 12.9	01
05	0503010025	3/8 SPRING WASHER	01
06	0503010026	3/8" NUT	01
07	0502010017	4" HEAD	01
08	0502010523	2" X 4" RING SUPPORT	01
09	0503010039	D-2000 SCRAPER RING	01
10	0503010991	PACKING 1870-2000-375-B	01
11	0503010952	W2-2250-500 PK RING G.E	01
12	0503011061	8-342 BACK-UP RING	01
13	0503010338	2-342 N 3006-9B O'RING	01
14	0511018114	51 X 3 X 25 BUSHING	01
15	0503011148	3/8" X 1/2" BOLT	01
16	0503010345	2-218 N 3006-9B O'RING	01
17	0502010682	2"X4" PISTON	01
18	0503010043	PACKING 3750-3250	02
19	0503010044	1-1/4" SELF-ADJUSTING NUT	01
20	0503030385	PLUG	02
21	0501031248	HYDRAULIC CYLINDER REPAIR KIT	01



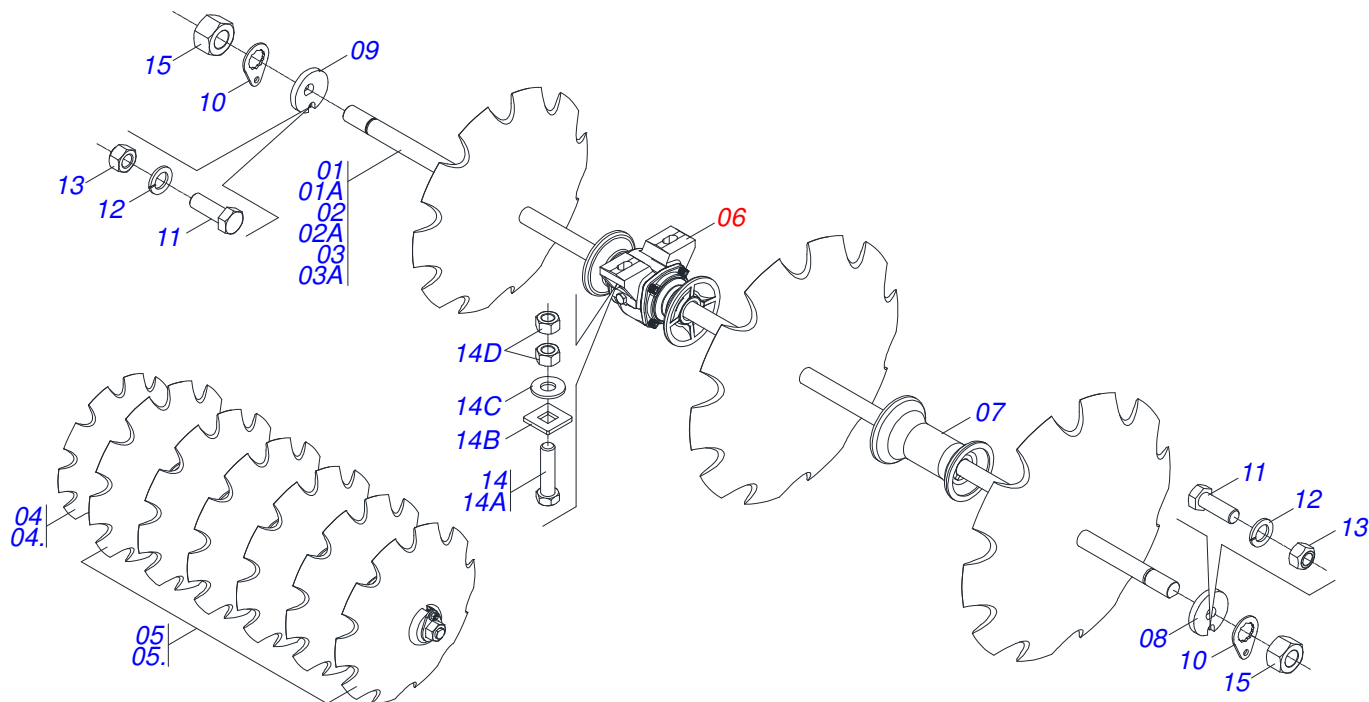
Item	Code	Description	QT
001	0511061588	3.4" X 16" CYLINDER CASE	01
002	0521010421	HYDRAULIC CYLINDER TURNBUCKLE	01
003	0503010042	2-214 N 3006-9B O'RING	01
004	0503010063	1" SELF-ALIGNING NUT	01
005	0502040747	FORK	01
006	0503011094	3/8" X 2" BOLT C C S I 12.9	01
007	0503010026	3/8" NUT	01
008	0503010025	3/8 SPRING WASHER	01
009	0503030385	PLUG	02
010	0571019710	1.7" X 3.4" PISTON	01
011	0503017935	RING	01
012	0503018144	RING	01
013	0571019711	RING SUPPORT	01
014	0503010761	D-1750 SCRAPER RING	01
015	0571019709	DETACHABLE COVER	01
016	0503017936	RING	01
017	0503017938	RING GUIDE	01
018	0503017937	GASKET	01
019	0503017940	8-337 BACK-UP RING	02
020	0503017939	2-337 N 3006-9B O' RING	02



Item	Code	Description	QT
001	0503010817	1-1/4" SELF-ADJUSTING NUT	01
002	0502040747	FORK	01
003	0502010017	4" HEAD	01
004	0503011094	3/8" X 2" BOLT C C S I 12.9	01
005	0503011443	SPRING WASHER	01
006	0503010026	3/8" NUT	01
007	0503010345	2-218 N 3006-9B O'RING	01
008	0503010338	2-342 N 3006-9B O'RING	01
009	0503011061	8-342 BACK-UP RING	01
010	0503030385	PLUG	02
011	0503017889	RING GUIDE	02
012	0531018245	EXTENDING BODY	01
013	0521066149	CYLINDER CASE	01
014	0502011250	RING OF SUPPORT	01
015	0503015715	SCRAPER SEALING	01
016	0503015642	U-CUP SEALING	01
017	0503010973	W2-2500-500 PK O'RING G.E	01
018	0581012601	PISTON	01
019	0581012602	PISTON	01
020	0503018651	SEALING	01

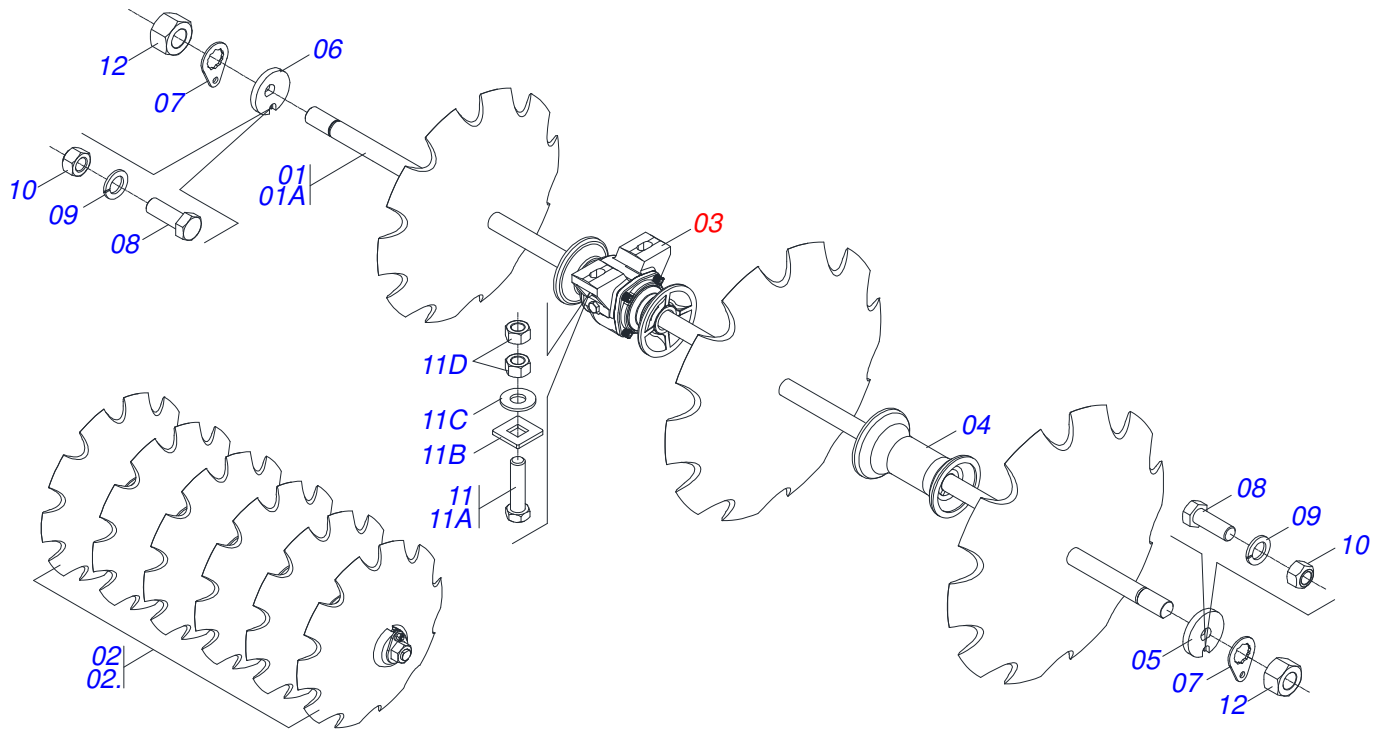


Item	Code	Description	56	60	64
01	0521045636	HYDRAULIC CYLINDER	02	02	02
02	0511058298	HYDRAULIC CYLINDER	02	02	02
03	0501043265	HYDRAULIC CYLINDER 610	04	04	04
04	0501068706	DOUBLE CONNECTION	01	01	01
05	0503010237	3/8" X 1" BOLT	02	02	02
06	0511017302	FLAT WASHER	02	02	02
07	0503010025	3/8 SPRING WASHER	14	14	14
08	0503010026	3/8" NUT	02	02	02
09	0502012702	BODY SUPPORT CLAMP	12	12	12
10	0503012555	7/16" X 2" BOLT	12	12	12
11	0501066264	INNER FRONT OIL TUBE	01	01	01
12	0501066265	OUTER FRONT OIL TUBE	01	01	01
13	0501066266	INNER REAR OIL TUBE	01	01	01
14	0501066267	OUTER REAR OIL TUBE	01	01	01
15	0501080328	3/8" X 29" TR-TC HOSE	04	04	04
16	0501080436	TR-TC HOSE ASSY	04	04	04
17	0501080359	3/8" X 78.7" TR-TC HOSE ASSY	01	01	01
18	0501080448	3/8" X 110.23" TC-TC HOSE ASSY	02	02	02
19	0501080447	3/8" X 122" TR-TC HOSE ASSY	01	01	01
20	0501080418	3/8" X 165" TR-TC HOSE ASSY	01	01	01
21	0501081093	3/8" X 188.9" TR-TC HOSE ASSY	01	01	01
22	0501080361	3/8" X 157" TR-TM HOSE ASSY	02	02	02
23	0501080422	3/8" X 157" TC-TM HOSE ASSY	02	02	02
24	0501053834	QUICK CONECTION (MALE) 1/2	04	04	04



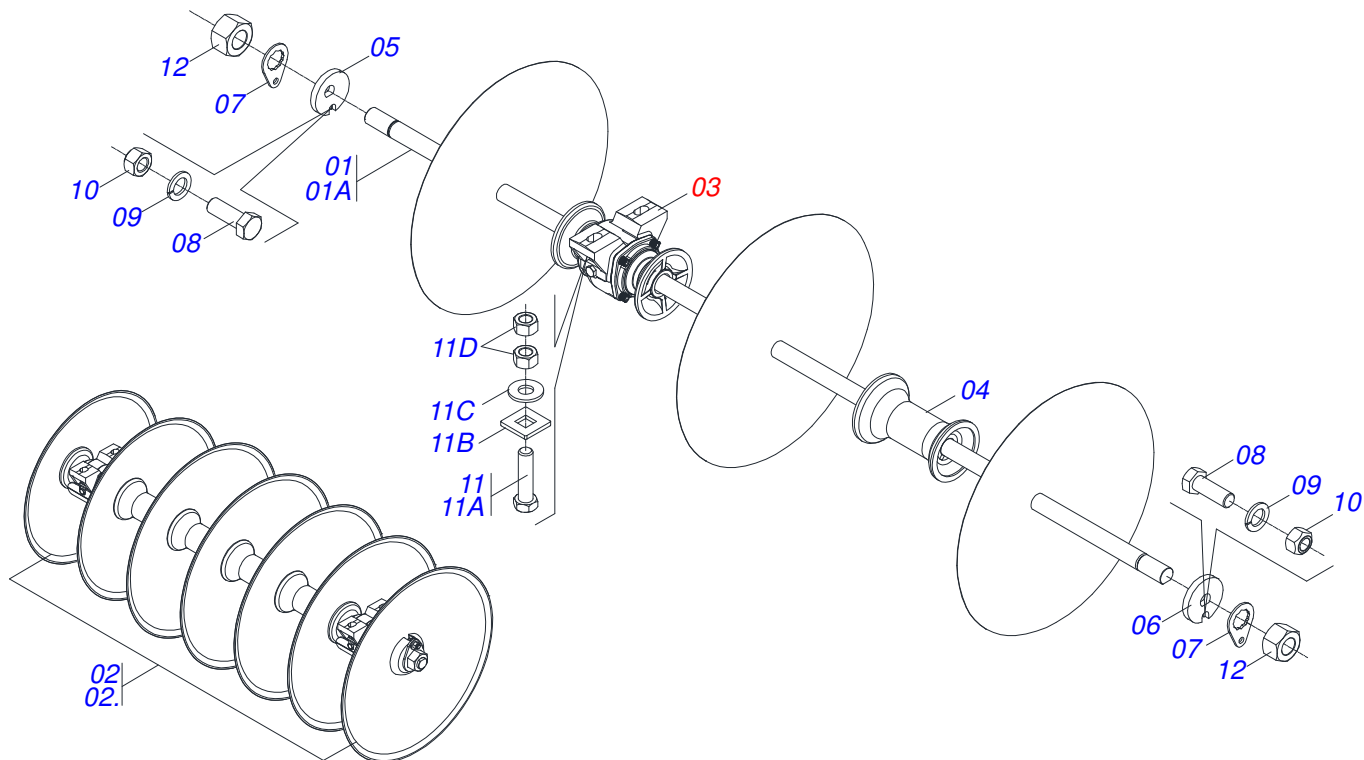
Item	Code	Description	56 60 64
01	0501043697	1.1/2" X 1505 AXLE ASSY	02 02 02
01A	0511012601	1.1/2" X 1505 AXLE	02 02 02
02	0501043837	1-1/2" X 68" AXLE WITH NUTS	00 02 00
02A	0511010225	1-1/2" X 68" AXLE	00 02 00
03	0501043756	1-1/2" X 77" AXLE WITH NUTS	00 00 02
03A	0511010230	1-1/2" X 77" AXLE	00 00 02
04	0602030331	24" X 0.236" NOTCHED DISC BLADE	02 02 02
04.	0602029409	22" X 4,5 NOTCHED DISC BLADE	02 02 02
05	0602033252	26" X 6 NOTCHED DISC BLADE	12 14 16
05.	0602030335	NOTCHED DISC BLADE	12 14 16
06	0501044315	9" X 1-1/2" OIL BATH BEARING	04 06 06
07	0502010621	8.8" 1-1/2" SPACER	08 08 10
08	0502010871	1-1/2" EXTERNAL AXLE WASHER	02 02 02
09	0502010872	1-1/2" INNER AXLE WASHER	02 02 02
10	0501018592	1.5/8" NUT LOCK	04 04 04
11	0503011267	5/8" X 1.1/2" BOLT	04 04 04
12	0503010027	SPRING WASHER	04 04 04
13	0503010013	5/8" NUT	04 04 04
14	0501042160	5/8" X 76 BOLT ASSY	08 12 12
14A	0501011234	5/8" X 3" BOLT	08 12 12
14B	0501010947	5/8 NUT LOCK	08 12 12
14C	0501012140	FLAT WASHER	08 12 12
14D	0503010013	5/8" NUT	08 12 12
15	0501810110	NUT 1.1/2	04 04 04

FRONT CENTER DISC SECTION 56 60 64

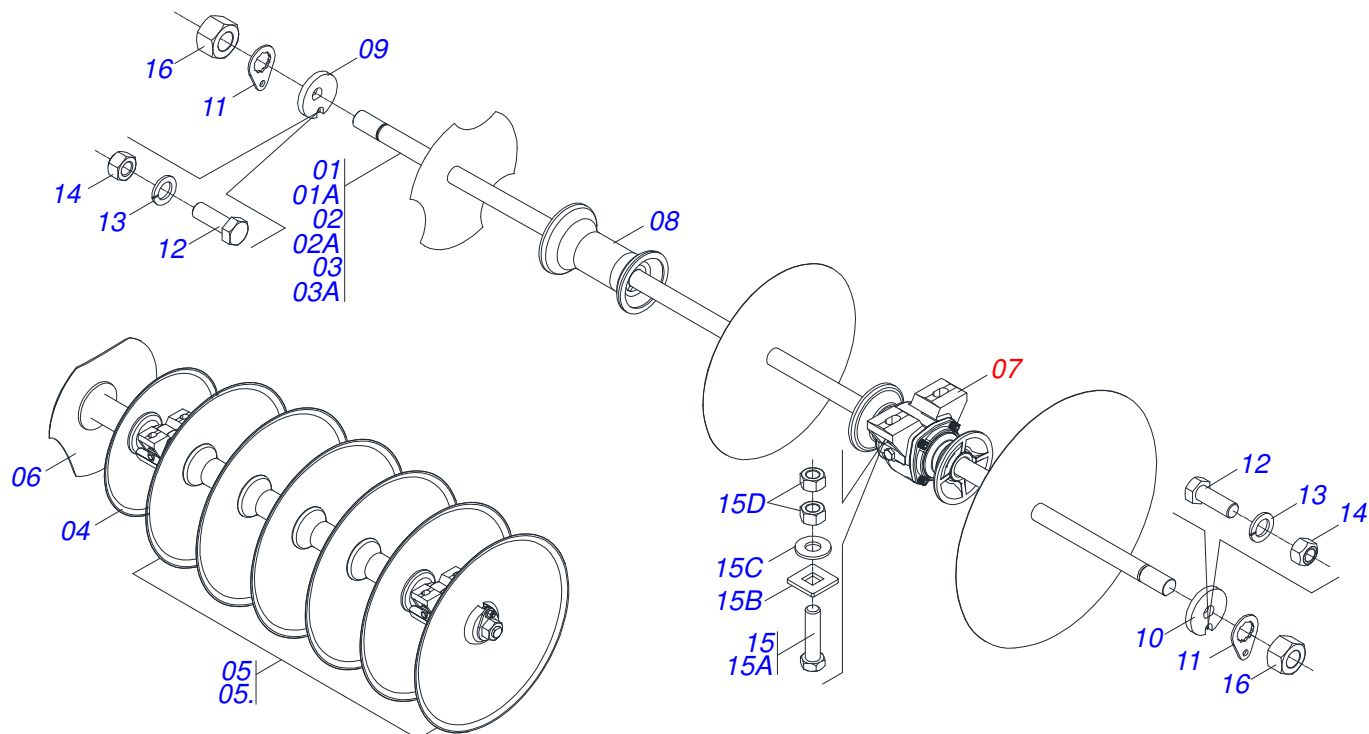


Item	Code	Description	QT
01	0501043697	1.1/2" X 1505 AXLE ASSY	02 02 02
01A	0511012601	1.1/2" X 1505 AXLE	02 02 02
02	0602033252	26" X 6 NOTCHED DISC BLADE	14 14 14
02.	0602030335	NOTCHED DISC BLADE	14 14 14
03	0501044315	9" X 1-1/2" OIL BATH BEARING	04 04 04
04	0502010621	8.8" 1-1/2" SPACER	08 08 08
05	0502010871	1-1/2" EXTERNAL AXLE WASHER	02 02 02
06	0502010872	1-1/2" INNER AXLE WASHER	02 02 02
07	0501018592	1.5/8" NUT LOCK	04 04 04
08	0503011267	5/8" X 1.1/2" BOLT	04 04 04
09	0503010027	SPRING WASHER	04 04 04
10	0503010013	5/8" NUT	04 04 04
11	0501042160	5/8" X 76 BOLT ASSY	08 08 08
11A	0501011234	5/8" X 3" BOLT	08 08 08
11B	0501010947	5/8 NUT LOCK	08 08 08
11C	0501012140	FLAT WASHER	08 08 08
11D	0503010013	5/8" NUT	08 08 08
12	0501810110	NUT 1.1/2	04 04 04

REAR CENTRAL DISC SECTION 56 60 64



Item	Code	Description	56 60 64
01	0501043689	1-1/2" X 1275 AXLE W/NUT	02 02 02
01A	0511012600	1-1/2" X 1275 AXLE	02 02 02
02	0601031039	DL24X4,75 C72AF02FR1.9/16 TATU TERR	12 12 12
02.	0601033237	26"X 6 PLAIN DISC BLADE	12 12 12
03	0501044315	9" X 1-1/2" OIL BATH BEARING	04 04 04
04	0502010621	8.8" 1-1/2" SPACER	06 06 06
05	0502010871	1-1/2" EXTERNAL AXLE WASHER	02 02 02
06	0502010872	1-1/2" INNER AXLE WASHER	02 02 02
07	0501018592	1.5/8" NUT LOCK	04 04 04
08	0503011267	5/8" X 1.1/2" BOLT	04 04 04
09	0503010027	SPRING WASHER	04 04 04
10	0503010013	5/8" NUT	04 04 04
11	0501042160	5/8" X 76 BOLT ASSY	08 08 08
11A	0501011234	5/8" X 3" BOLT	08 08 08
11B	0501010947	5/8 NUT LOCK	08 08 08
11C	0501012140	FLAT WASHER	08 08 08
11D	0503010013	5/8" NUT	08 08 08
12	0501810110	NUT 1.1/2	04 04 04



Item	Code	Description	56 60 64
01	0501043756	1-1/2" X 77" AXLE WITH NUTS	02 00 00
01A	0511010230	1-1/2" X 77" AXLE	02 00 00
02	0501043757	1-1/2" X 86" AXLE WITH NUTS	00 02 00
02A	0511012602	1-1/2" X 86" AXLE	00 02 00
03	0501043758	1-1/2" X 2425 AXLE W/NUTS	00 00 02
03A	0511012603	1.1/2" X 2425 AXLE W/NUTS	00 00 02
04	0601031031	24" X 6 PLAIN DISC BLADE	02 02 02
05	0601031039	DL24X4,75 C72AF02FR1.9/16 TATU TERR	14 16 18
05.	0601033237	26"X 6 PLAIN DISC BLADE	14 16 18
06	0602029293	22" X 6 NOTCHED DISC BLADE	02 02 02
07	0501044315	9" X 1-1/2" OIL BATH BEARING	04 04 04
08	0502010621	8.8" 1-1/2" SPACER	06 06 06
09	0502010871	1-1/2" EXTERNAL AXLE WASHER	02 02 02
10	0502010872	1-1/2" INNER AXLE WASHER	02 02 02
11	0501018592	1.5/8" NUT LOCK	04 04 04
12	0503011267	5/8" X 1.1/2" BOLT	04 04 04
13	0503010027	SPRING WASHER	04 04 04
14	0503010013	5/8" NUT	04 04 04
15	0501042160	5/8" X 76 BOLT ASSY	08 08 08
15A	0501011234	5/8" X 3" BOLT	08 08 08
15B	0501010947	5/8 NUT LOCK	08 08 08
15C	0501012140	FLAT WASHER	08 08 08
15D	0503010013	5/8" NUT	08 08 08
16	0501810110	NUT 1.1/2	04 04 04

ANNOTATIONS

ORIGINAL PARTS
TATU





MARCHESAN IMPLEMENTOS E MÁQUINAS AGRÍCOLAS TATU S.A.

AV. Marchesan, 1979 - Post office box, 131 - CEP 15994-900 - Matão - SP - Brazil

Phone +55 16.3382-8282

(FAX Parts) + 55 16.3382. 8297 - (Export) + 55 16.3382.1003

e.mail: tatu@marchesan.com.br www.marchesan.com.br

Technical Publications: Elaboration

MARINA PEREZ NIZA

Technical Publications: Revision

MARINA PEREZ NIZA

Contact Catálogo:

E-mail = jgaspari@marchesan.com.br

**ORIGINAL PARTS
TATU**

