

DOUBLE OFFSET DISK HARROW

GTLD ARTICULATED - 44/48/52D

Code: 0501092199

Series: S-0195

Revision: 00

Date Revision: JUNHO/2018

PARTS CATALOGUE



MARCHESAN



PRODUCTS

Code	Description
0102430435	GTLD 44 X 24 X 4,75 DM MT S-0195
0102430458	GTLD 44 X 26 X 6,00 DM MT S-0195
0102430586	GTLD 48 S/DISCO/RODA/PNEU S-0195
0102430437	GTLD 48 X 24 X 4,75 DM MT S-0195
0102430477	GTLD 48 X 26 X 6,00 DM MT S-0195
0102430673	GTLD 52 X 24 X 6,00 DM DR S-0195
0102430585	GTLD 52 X 24 X 6,00 DM MT S-0195
0102430459	GTLD 52 X 26 X 6,00 DM MT S-0195

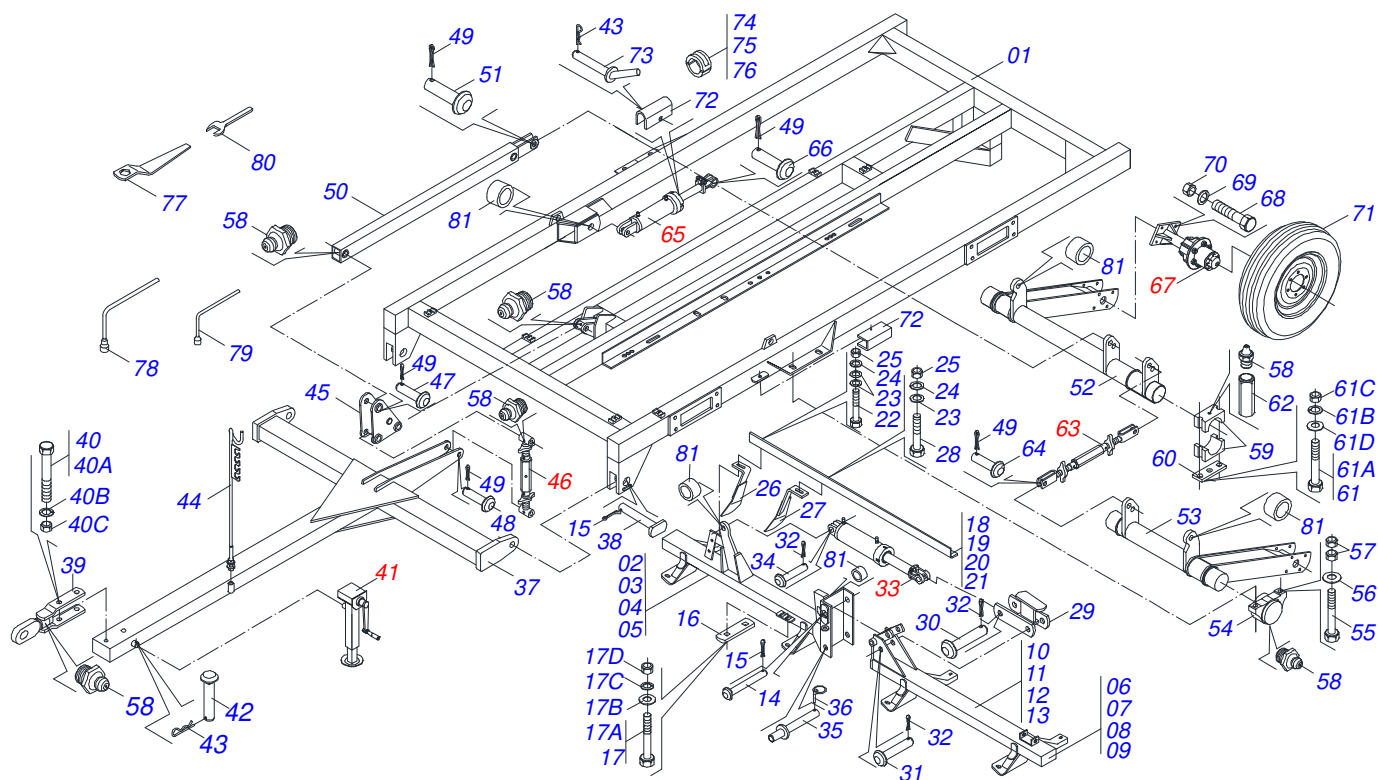
ATTENTION: IMPORTANT

Marchesan S.A. reserves the right to improve and/or modify the technical features of its products, without obligation to do the same with those products already sold and without prior knowledge of the dealer or the consumer. The photos are only illustrative.



INDEX

0909091385	ASSY FRAME - 44/48D	1
0909091386	ASSY FRAME - 52D	2
0501044313	HYDRAULIC CYLINDER 38,1 X 63,5 X 800 X 400	3
0511059180	HYDRAULIC CYLINDER 50,80 X 101,60 X 515 X 203	4
0511041259	DRAW BAR JACK ASSY	5
0501040257	3/4 X 1200 HOSE HOLDER A	6
0501045162	ASSEMBLY CARRYING WHEELS ESTABILIZER	7
0501051631	STUB SHAFT & HUB ASSY	8
0909094145	FRONT GANG DISC 44	9
0909094144	REAR GANG DISC 44	10
0909094199	FRONT GANG DISC 48	11
0909094198	REAR GANG DISC 48	12
0909094200	FRONT GANG DISC 52	13
0909094201	REAR GANG DISC 52	14
0501044315	9" X 1-1/2" OIL BATH BEARING	15
0909094207	HYDRAULIC SYSTEM 44 48	16
0909094208	HYDRAULIC SYSTEM 52	17



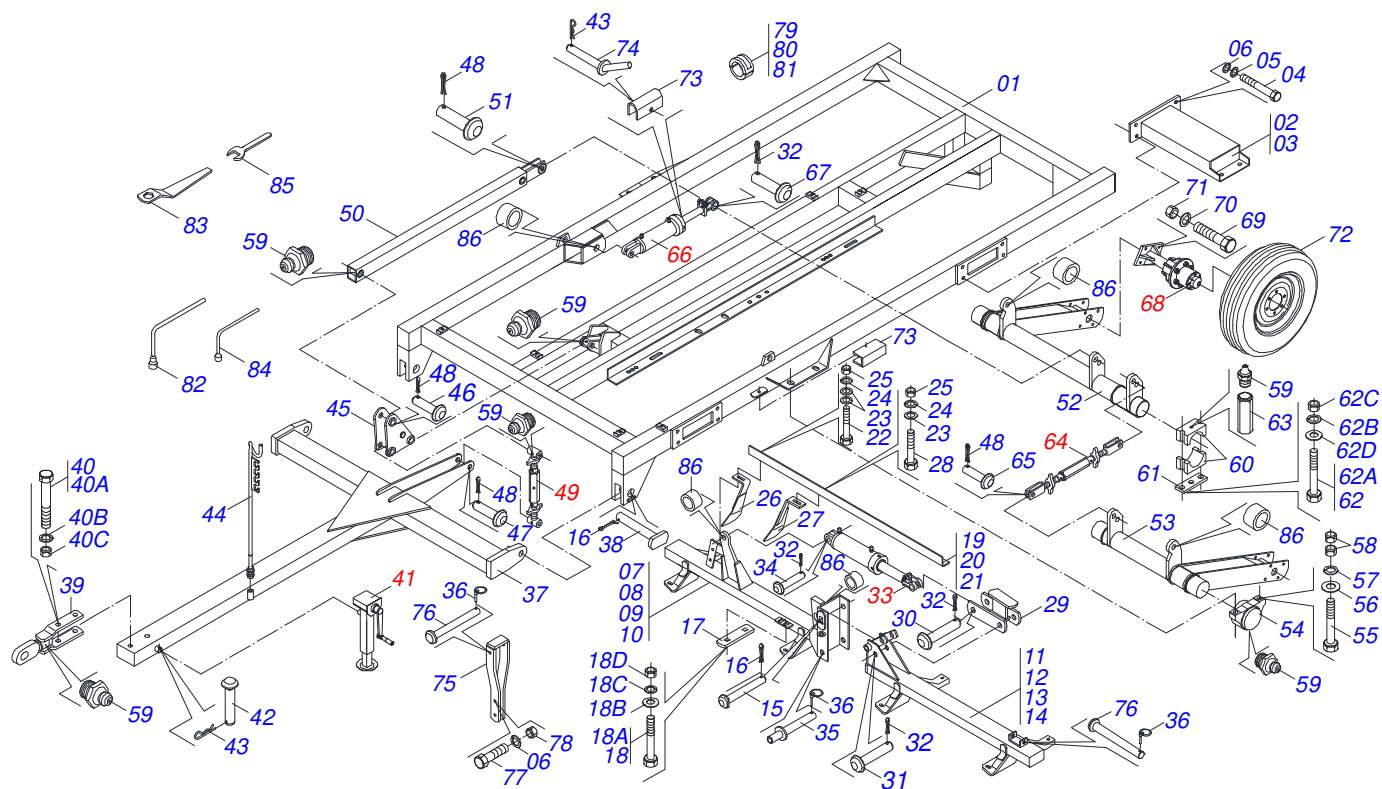
Item	Code	Description	See page	44	48
01	0501067529	FRAME GTLD		01	01
02	0501067408	RIGHT FRONT CENTRIC FRAME		01	01
03	0501067409	LEFT FRONT CENTRAL FRAME		01	01
04	0501067410	RIGHT CENTRAL REAR FRAME		01	01
05	0501067411	LEFT CENTRAL REAR FRAME		01	01
06	0501067412	LEFT CENTRAL REAR FRAME		01	00
07	0501067413	LEFT SIDE REAR FRAME		01	00
08	0501067414	RIGHT REAR FRAME		01	00
09	0501067415	RIGHT SIDE REAR FRAME		01	00
10	0501067420	LEFT CENTRAL REAR FRAME		00	01
11	0501067421	LEFT SIDE REAR FRAME		00	01
12	0501067422	RIGHT REAR FRAME		00	01
13	0501067423	LEFT SIDE REAR FRAME		00	01
14	0511013058	PIVOT SHAFT		04	04
15	0503010534	3/8 X 2-1/2 COTTERPIN		06	06
16	0511013056	FIXING BASE FRAME		08	08
17	0511042229	1" X 6" BOLT		16	16
17A	0503013113	1" X 6" BOLT		16	16
17B	0501010065	1" SPRING WASHER		16	16
17C	0503010012	1" SPRING WASHER		16	16
17D	0501010059	1.5/8 NUT		16	16
18	0511012598	790 FIXER SCRAPER BAR		02	00
19	0511012594	1020 BAR FIX SCRAPER		02	02
20	0511012596	1480 FIX BAR SCRAPER		04	04
21	0511012604	1250 BAR FIX SCRAPER		00	02
22	0503010740	BOLT 1/2 UNC X 2 CS G.5 ZN		16	16
23	0511017302	FLAT WASHER		92	100
24	0503010019	1/2" SPRING WASHER		46	50
25	0503010060	1/2" NUT		46	50
26	0501067394	LH FRONT/RH REAR SCRAPER		23	25
27	0501067395	LH FRONT/RH REAR SCRAPER		23	25



Item	Code	Description	See page	44	48
28	0503011082	C1/2" X 1.3/4" SCREW		30	34
29	0501066133	LINK ARTICULATION		04	04
30	0521010580	COUPLING SHAFT		04	04
31	0521010585	0.9" X 5.9" COUPLING SHAFT		04	04
32	0503010571	1/4" X 1.1/2 COTTERPIN		12	12
33	0501044313	HYDRAULIC CYLINDER 38,1 X 63,5 X 800 X 400	3	04	04
34	0521010576	0.9" X 3.7" COUPLING SHAFT		04	04
35	0501066066	LOCK PIN		04	04
36	0503030119	LOCK PIN		04	04
37	0501066067	DRAWBAR		01	01
38	0521010620	1.5" X 4.6" COUPLING SHAFT		02	02
39	0501065566	TRACTOR HITCH		01	01
40	0501041894	1" X 7" ASSY BOLT		02	02
40A	0501010334	1" X 7" BOLT		02	02
40B	0503011438	SPRING WASHER		02	02
40C	0501010059	1.5/8 NUT		02	02
41	0511041259	DRAWBAR JACK ASSY	5	01	01
42	0521010549	COUPLING SHAFT		01	01
43	0503030168	HITCH PIN CLIP		03	03
44	0501040257	3/4 X 1200 HOSE HOLDER A	6	01	01
45	0501065531	ROCKER ARM		01	01
46	0501044204	ESTABILIZER ASSY		01	01
47	0501019719	1.1/4" X 155MM COUPLING SHAFT		03	03
48	0521010546	1.2" X 5.7" COUPLING SHAFT		01	01
49	0503010523	1/4" X 2" COTTERPIN		14	14
50	0501067527	STABILIZER BAR		01	01
51	0521010780	1.2" X 4.5" COUPLING SHAFT		01	01
52	0501069059	RH CARRYING-WHEELS SUPPORT		01	01
53	0501069060	LH CARRYING-WHEELS SUPPORT		01	01
54	0502010972	ARTICULACION BEARING		03	03
55	0503011432	BOLT		06	06
56	0501010065	1" SPRING WASHER		06	06
57	0501010059	1.5/8 NUT		12	12
58	0503010002	1800 GREASE FITTING		11	11
59	0502010673	BEARING SEMI		02	02
60	0501015593	SUPPORT PLATE		01	01
61	0501042309	1" X 9" AR ASSY BOLT		02	02
61A	0501010064	1" X 9" BOLT		02	02
61B	0503010012	1" SPRING WASHER		02	02
61C	0501010059	1.5/8 NUT		02	02
61D	0501010065	1" SPRING WASHER		02	02
62	0501019757	EXTENSION GREASE FITTING		02	02
63	0501045162	ASSEMBLY CARRYING WHEELS ESTABILIZER	7	01	01
64	0521010778	1.25" X 3.15" COUPLING SHAFT		02	02
65	0511059180	HYDRAULIC CYLINDER 50,80 X 101,60 X 515 X 203	4	02	02
66	0521012538	1.2" X 3.5" COUPLING SHAFT		04	04
67	0501051631	STUB SHAFT & HUB ASSY	8	04	04
68	0503010899	5/8" X 2-1/4" BOLT		16	16
69	0503010027	5/8" SPRING WASHER		16	16
70	0503010013	5/8" NUT		16	16
71	0503060091	L29.5"X0.63"-10L WHEEL AND		04	04
72	0511010839	TRANSPORT LOCK 7.9" X 2.1" X 0.4"		02	02
73	0501068994	8,30 X 78 LOCK PIN		02	02
74	0501047895	ROD STOP		02	02
75	0501047885	ROD STOP		02	02
76	0501047887	ROD STOP		02	02
77	0501011432	1-1/2" AND 1-5/8 GANG BOLT WRENCH		02	02
78	0501061045	1" WRENCH CYLINDRICAL		01	01
79	0501068273	5/8" WRENCH		01	01



Item	Code	Description	See page	44 48
80	0511010153	2-5/16" FIXED WRENCH	01	01
81	0511019921	1.3" X 0.1" X 1" SLEEVE	11	11



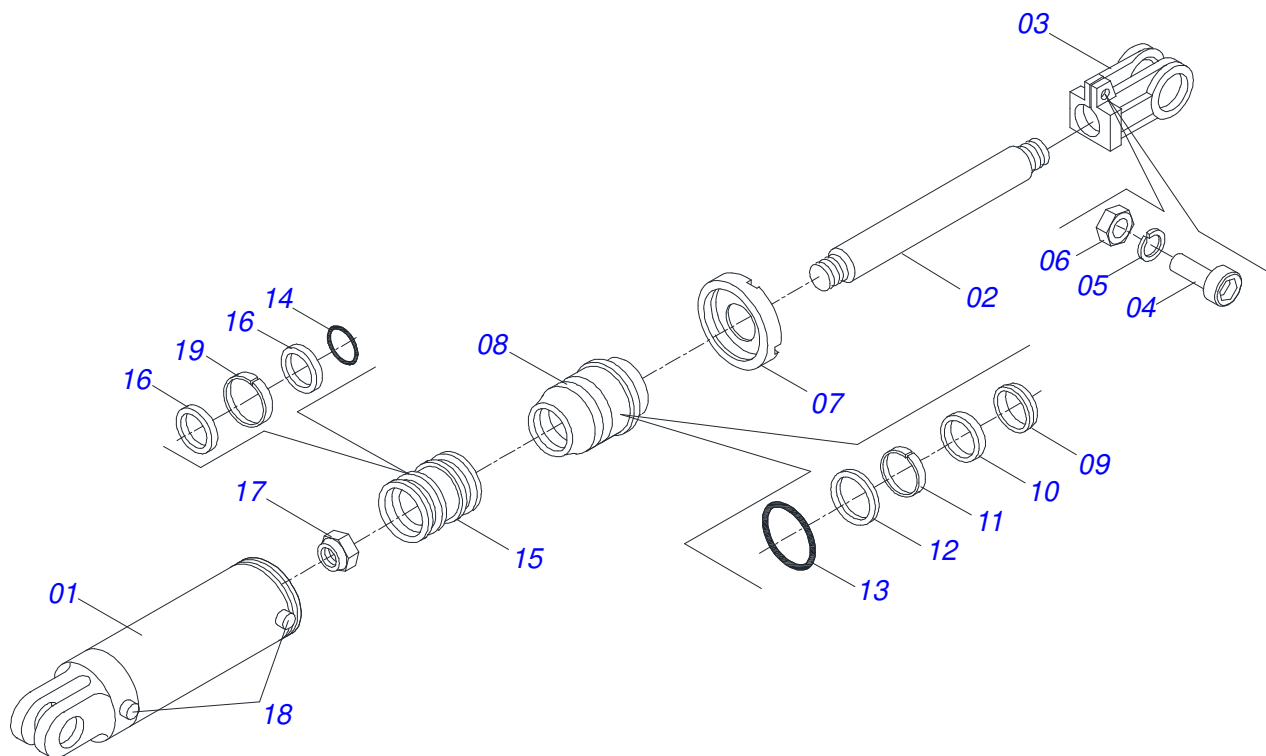
Item	Code	Description	See page	52
01	0501067530	FRAME GTLD-R 48/GTLD 52	01	
02	0501066136	FRONT ADJUSTMENT	02	
03	0501066137	REAR ADJUSTMENT	02	
04	0501011544	3/4" X 1-1/2" BOLT	16	
05	0501010322	FLAT WASHER	16	
06	0503010023	3/4" SPRING WASHER	24	
07	0501067428	RIGHT FRONT CENTRIC FRAME	01	
08	0501067429	LEFT FRONT CENTRAL FRAME	01	
09	0501067430	RIGHT CENTRAL REAR FRAME	01	
10	0501067431	LEFT CENTRAL REAR FRAME	01	
11	0501068410	RIGHT FRONT SIDE FRAME	01	
12	0501068411	LEFT FRONT SIDE FRAME	01	
13	0501068412	RIGHT SIDE REAR FRAME	01	
14	0501068413	LEFT SIDE REAR FRAME	01	
15	0511013058	PIVOT SHAFT	04	
16	0503010534	3/8 X 2-1/2 COTTERPIN	06	
17	0511013056	FIXING BASE FRAME	08	
18	0511042229	1" X 6" BOLT	16	
18A	0503013113	1" X 6" BOLT	16	
18B	0501010065	1" SPRING WASHER	16	
18C	0503010012	1" SPRING WASHER	16	
18D	0501010059	1.5/8 NUT	16	
19	0511012594	1020 BAR FIX SCRAPER	02	
20	0511012604	1250 BAR FIX SCRAPER	02	
21	0511012595	1710 BAR FIX SCRAPER	02	
22	0503010740	BOLT 1/2 UNC X 2 CS G.5 ZN	16	
23	0511017302	FLAT WASHER	108	
24	0503010019	1/2" SPRING WASHER	54	
25	0503010060	1/2" NUT	54	
26	0501067394	LH FRONT/RH REAR SCRAPER	27	
27	0501067395	LH FRONT/RH REAR SCRAPER	27	



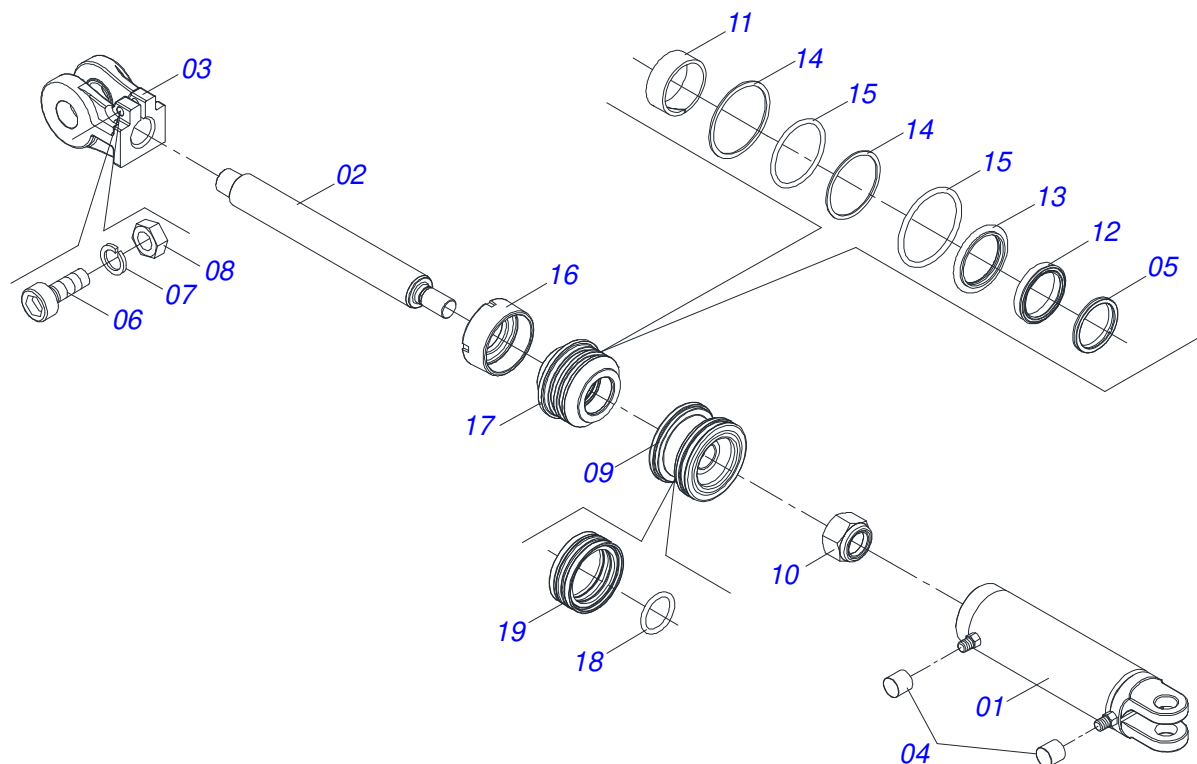
Item	Code	Description	See page	52
28	0503011082	C1/2" X 1.3/4" SCREW		38
29	0501066133	LINK ARTICULATION		04
30	0521010580	COUPLING SHAFT		04
31	0521010585	0.9" X 5.9" COUPLING SHAFT		04
32	0503010571	1/4" X 1.1/2 COTTERPIN		12
33	0501044313	HYDRAULIC CYLINDER 38,1 X 63,5 X 800 X 400	3	04
34	0521010576	0.9" X 3.7" COUPLING SHAFT		04
35	0501066066	LOCK PIN		04
36	0503030119	LOCK PIN		04
37	0501066067	DRAWBAR		01
38	0521010620	1.5" X 4.6" COUPLING SHAFT		02
39	0501065566	TRACTOR HITCH		01
40	0501041894	1" X 7" ASSY BOLT		02
40A	0501010334	1" X 7" BOLT		02
40B	0503011438	SPRING WASHER		02
40C	0501010059	1.5/8 NUT		02
41	0503062157	HEADER JACK		01
42	0521010549	COUPLING SHAFT		01
43	0503030168	HITCH PIN CLIP		03
44	0501040257	3/4 X 1200 HOSE HOLDER A	6	01
45	0501065531	ROCKER ARM		01
46	0501019719	1.1/4" X 155MM COUPLING SHAFT		03
47	0521010546	1.2" X 5.7" COUPLING SHAFT		01
48	0503010523	1/4" X 2" COTTERPIN		11
49	0501044204	ESTABILIZER ASSY		01
50	0501067527	STABILIZER BAR		01
51	0521010780	1.2" X 4.5" COUPLING SHAFT		01
52	0501069059	RH CARRYING-WHEELS SUPPORT		01
53	0501069060	LH CARRYING-WHEELS SUPPORT		01
54	0502010972	ARTICULACION BEARING		03
55	0503011432	BOLT		06
56	0501010065	1" SPRING WASHER		06
57	0503010012	1" SPRING WASHER		06
58	0501010059	1.5/8 NUT		06
59	0503010002	1800 GREASE FITTING		11
60	0502010673	BEARING SEMI		02
61	0501015593	SUPPORT PLATE		01
62	0501042309	1" X 9" AR ASSY BOLT		02
62A	0501010064	1" X 9" BOLT		02
62B	0503010012	1" SPRING WASHER		02
62C	0501010059	1.5/8 NUT		02
62D	0501010065	1" SPRING WASHER		02
63	0501019757	EXTENSION GREASE FITTING		02
64	0501045162	ASSEMBLY CARRYING WHEELS ESTABILIZER	7	01
65	0521010778	1.25" X 3.15" COUPLING SHAFT		02
66	0511059180	HYDRAULIC CYLINDER 50,80 X 101,60 X 515 X 203	4	02
67	0521012538	1.2" X 3.5" COUPLING SHAFT		04
68	0501051631	STUB SHAFT & HUB ASSY	8	04
69	0503010899	5/8" X 2-1/4" BOLT		16
70	0503010027	5/8" SPRING WASHER		16
71	0503010013	5/8" NUT		16
72	0503060091	L29.5"X0.63"-10L WHEEL AND		04
73	0511010839	TRANSPORT LOCK 7.9" X 2.1" X 0.4"		02
74	0501068994	8,30 X 78 LOCK PIN		02
75	0501064536	TRANSPORT LOCK		04
76	0501019057	19,5 X 178 PIN		04
77	0503010901	3/4UNC 3.1/2 BOLT		08
78	0503010014	3/4" NUT		08
79	0501047895	ROD STOP		02



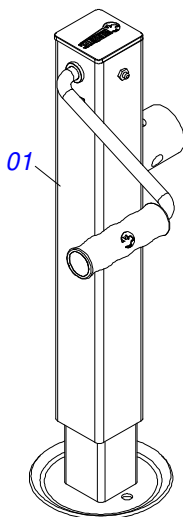
Item	Code	Description	See page	52
80	0501047885	ROD STOP		02
81	0501047887	ROD STOP		02
82	0501061045	1" WRENCH CYLINDRICAL		01
83	0501011431	1-3/4" GANG BOLT WRENCH		02
84	0501061609	3/4" WRENCH CABLE CYLINDRICAL		01
85	0511010153	2-5/16" FIXED WRENCH		01
86	0511019921	1.3" X 0.1" X 1" SLEEVE		11



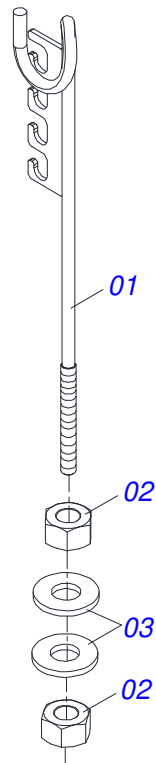
Item	Code	Description	See page	QT
01	0501067019	63,50 X 400 CYLINDER CASE		01
02	0511015417	TURNBUCLE BODY		01
03	0502040493	CLEVIS 26,50 R41		01
04	0503011094	3/8" X 2" BOLT		01
05	0503010025	3/8" SPRING WASHER		01
06	0503010026	3/8" NUT		01
07	0502010471	MOBILE COVER		01
08	0502010780	RING SUPPORT		01
09	0503010163	D-1500 SCRAPER RING		01
10	0503010989	1870-1500-375-B GASKET		01
11	0503010970	W1-1650-500 PK O'RING G.E		01
12	0503011058	8-330 BACK-UP RING		01
13	0503010161	2-330 N 3006 9B O'RING		01
14	0503010285	2-222 N 3006-9B O'RING		01
15	0502010783	1.5" X 2.5" PISTON		01
16	0503010160	2500 2000 GASKET		02
17	0503010063	1" SELF-ALIGNING NUT		01
18	0503030385	CYLINDER PLUG N-002		02
19	0503010973	W2-2500-500 PK O'RING G.E		01
20	0501035750	HYDRAULIC CYLINDER REPAIR KIT		01



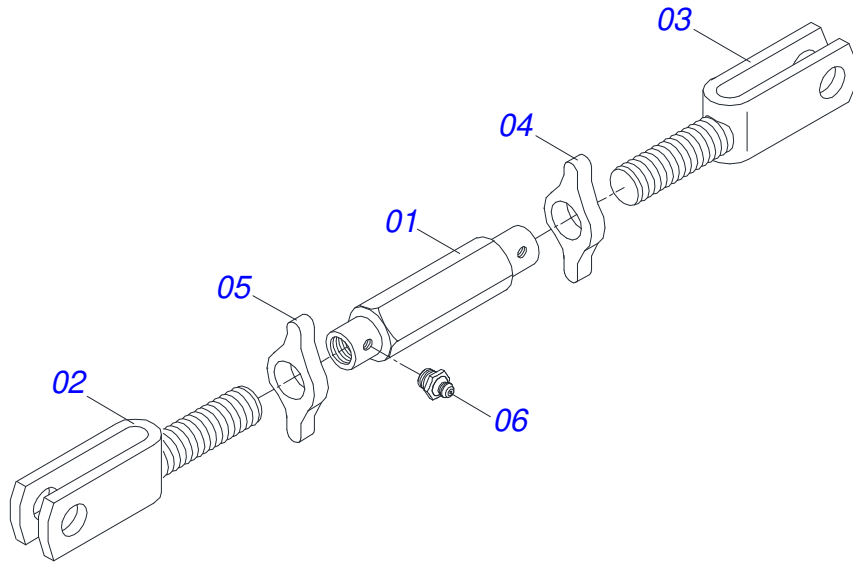
Item	Code	Description	See page	QT
01	0511070658	CYLINDER CASE		01
02	0571019958	HYDRAULIC CYLINDER TURNBUCKLE		01
03	0502040747	32.54 CLEVIS CLAMP		01
04	0503030385	CYLINDER PLUG N-002		02
05	0503010039	D-2000 SCRAPER RING		01
06	0503011094	3/8" X 2" BOLT		01
07	0503011443	3/8" SPRING WASHER		01
08	0503010026	3/8" NUT		01
09	0502012820	50.80 X 101.60 PISTON		01
10	0503010817	1.1/4" SELF LOCKING NUT		01
11	0503018025	RING GUIDE		01
12	0503018026	1870-2000-375 B GASKET		01
13	0503018024	RING BS		01
14	0503010338	2-342 N 3006-9B O'RING		02
15	0503011061	8-342 BACK-UP RING		02
16	0502012822	101.60 END CAP		01
17	0502012821	50.80 X 101.60 RING SUPPORT		01
18	0503018029	2-217 O'RING		01
19	0503015633	SELEMASTER SEALING		01



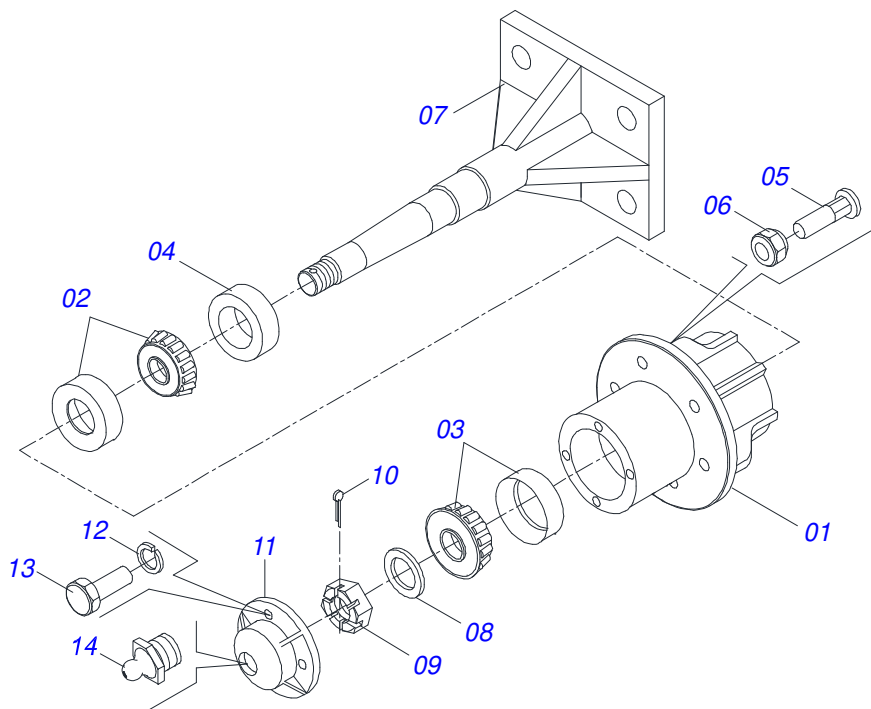
Item	Code	Description	See page	QT
01	0503062157	HEADER JACK		01



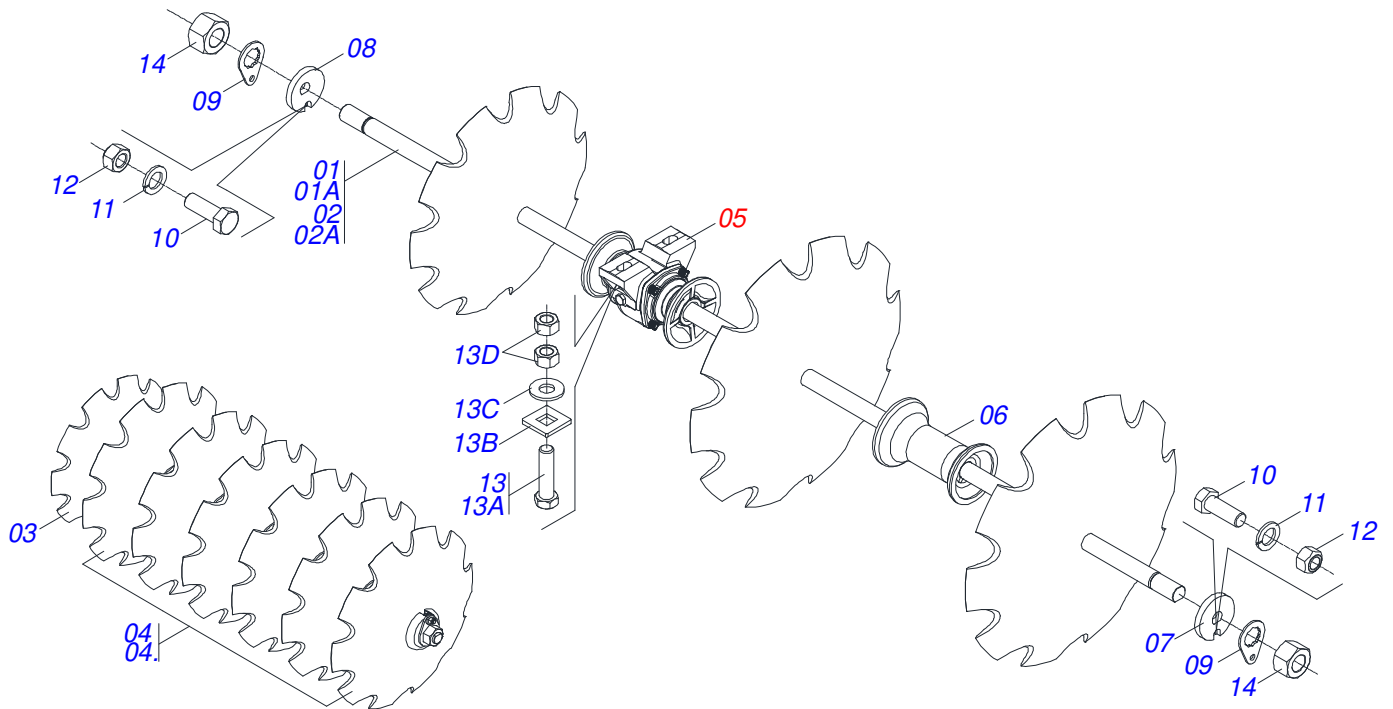
Item	Code	Description	See page	QT
01	0511067334	HOSE SOPPORT ASSY		01
02	0503010014	3/4" NUT		02
03	0501010322	FLAT WASHER		02



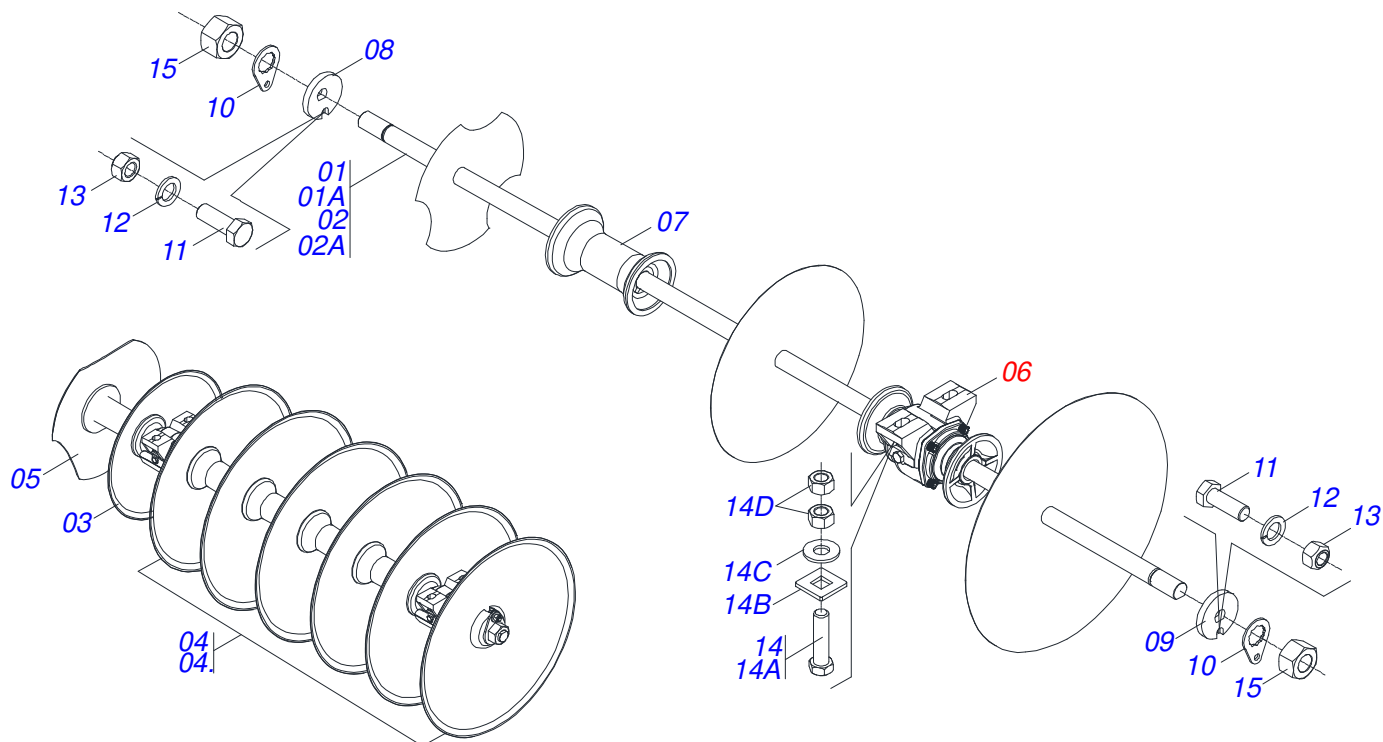
Item	Code	Description	See page	QT
01	0502011195	ADJUSTMENT NUT BODY		01
02	0501066930	LEFT TURNBUCKLE		01
03	0501066931	RIGTH TURNBUCKLE		01
04	0541018672	COUNTERNUT		02
05	0541018673	COUNTERNUT		02
06	0503010002	1800 GREASE FITTING		04



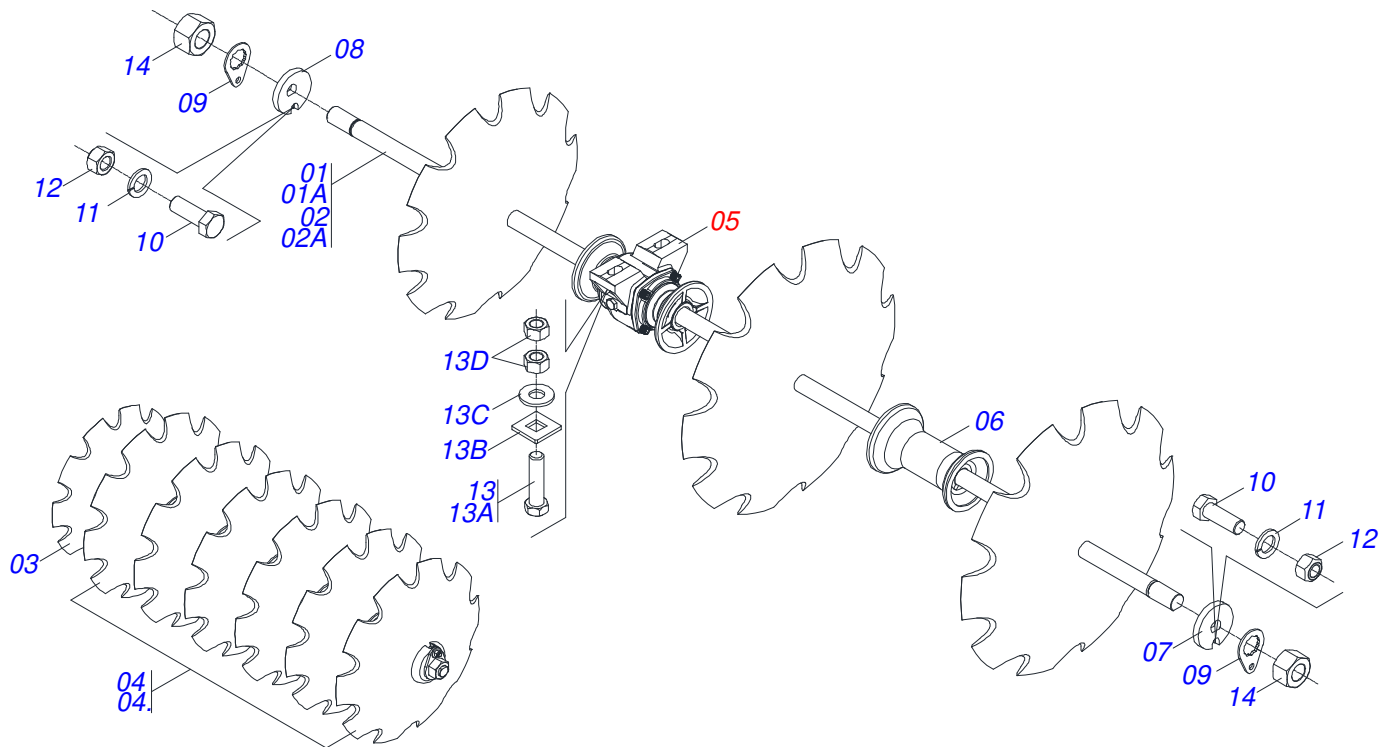
Item	Code	Description	See page	QT
01	0502011121	CARRYING WHEEL HUB		01
02	0503010006	32210 ROLLER BEARING		01
03	0503010037	30207 ROLLER BEARING		01
04	0503012928	SEAL		01
05	0501010127	9/16" X 1-7/8" LUG BOLT		06
06	0503010035	9/16" CONIC NUT		06
07	0501069087	CARRYING-WHEEL FIXATION SUPPORT		01
08	0501016545	FLAT WASHER		01
09	0503030009	1" CASTLE NUT		01
10	0503010018	5/32 X 1-1/2 COTTERPIN		01
11	0502020591	PROTECCION COVER		01
12	0503011444	SPRING WASHER		04
13	0503010358	5/16" X 5/8" BOLT		04
14	0503010002	1800 GREASE FITTING		01



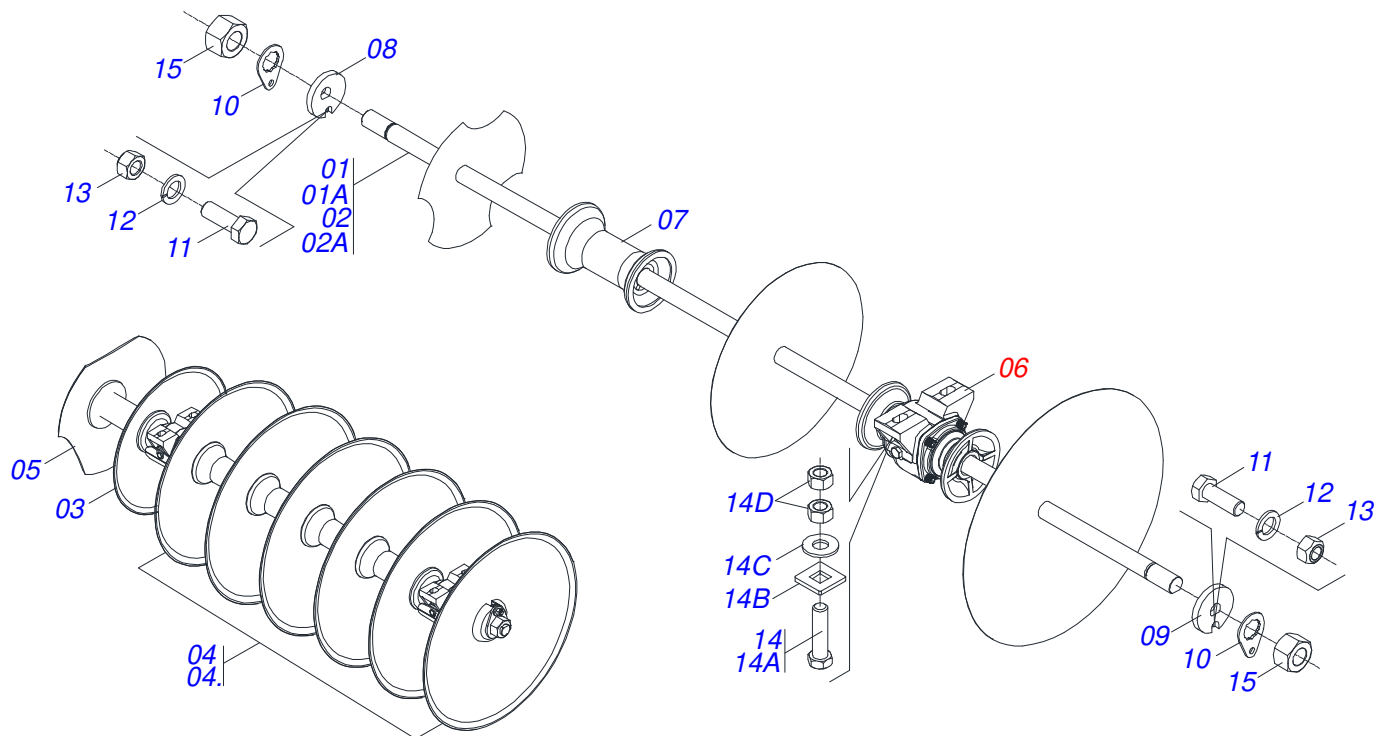
Item	Code	Description	See page	QT
01	0501043705	1.1/2" X 810 AXLE ASSY WITH NUTS		02
01A	0511010766	1.1/2" X 810 AXLE ASSY		02
02	0501043697	1.1/2" X 1505 AXLE ASSY		02
02A	0511012601	1.1/2" X 1505 AXLE		02
03	0602029409	22" X 4,5 NOTCHED DISC BLADE		02
04	0602030335	NOTCHED DISC BLADE		20
04.	0602033252	26" X 6 NOTCHED DISC BLADE		20
05	0501044315	9" X 1-1/2" OIL BATH BEARING	15	08
06	0502010621	8.8" 1-1/2" SPACER		05
07	0502010871	1-1/2" EXTERNAL AXLE WASHER		04
08	0502010872	1-1/2" INNER AXLE WASHER		04
09	0501018592	1.5/8" NUT LOCK		08
10	0503011267	BOLT 5/8 UNC X 1.1/2" C S G.5 ZN		08
11	0503010027	5/8" SPRING WASHER		08
12	0503010013	5/8" NUT		08
13	0501042160	5/8" X 76 BOLT ASSY		12
13A	0501011234	5/8" X 3" BOLT		12
13B	0501010947	5/8 NUT LOCK		12
13C	0501012140	FLAT WASHER		12
13D	0503010013	5/8" NUT		12
14	0501810110	NUT 1.1/2		08



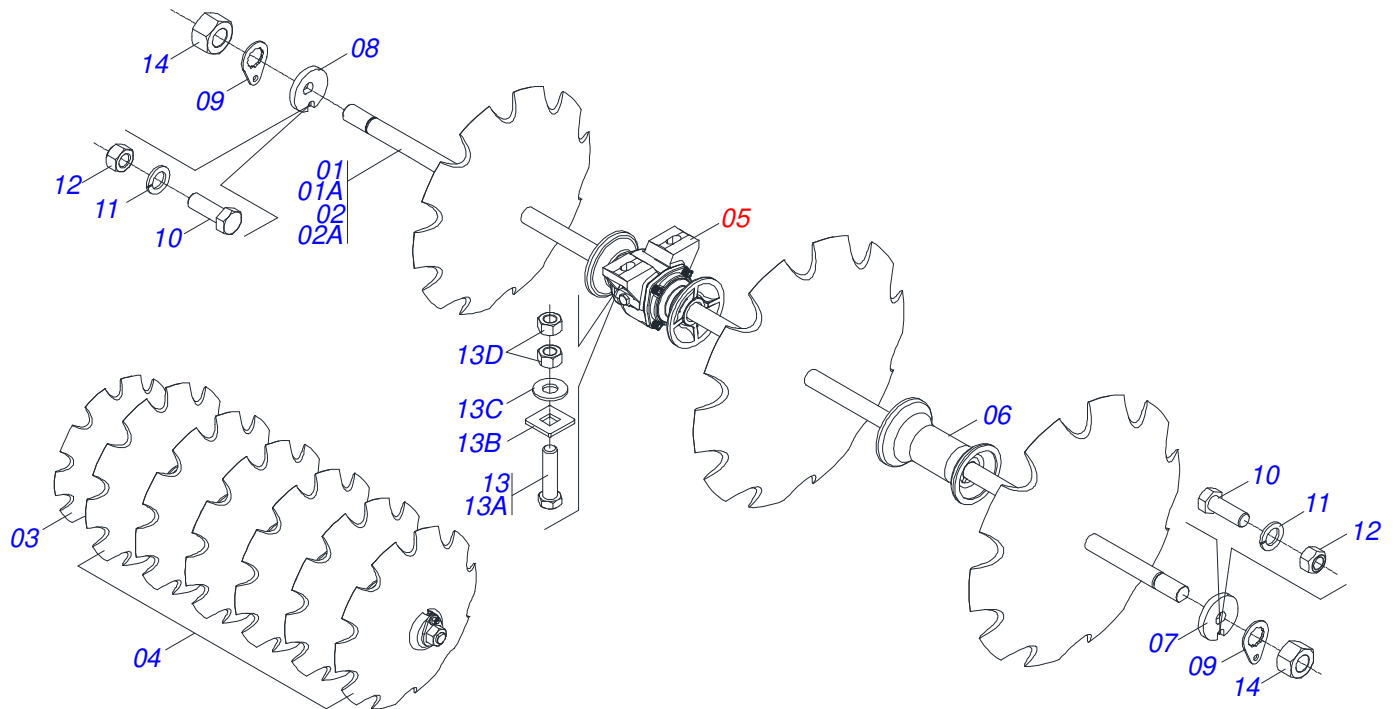
Item	Code	Description	See page	QT
01	0501043835	1.1/2" X 1040 AXLE W/NUT		02
01A	0511010224	1.1/2" X 1040 AXLE		02
02	0501043697	1.1/2" X 1505 AXLE ASSY		02
02A	0511012601	1.1/2" X 1505 AXLE		02
03	0601029406	22" X 4,5 PLAIN DISC BLADE		02
04	0601031039	DL24X4,75 C72AF02FR1.9/16 TATU TERR		20
04.	0601033237	26"X 6 PLAIN DISC BLADE		20
05	0602027348	NOTCHED DISC BLADE		02
06	0501044315	9" X 1-1/2" OIL BATH BEARING	15	08
07	0502010621	8.8" 1-1/2" SPACER		06
08	0502010871	1-1/2" EXTERNAL AXLE WASHER		04
09	0502010872	1-1/2" INNER AXLE WASHER		04
10	0501018592	1.5/8" NUT LOCK		08
11	0503011267	BOLT 5/8 UNC X 1.1/2 C S G.5 ZN		08
12	0503010027	5/8" SPRING WASHER		08
13	0503010013	5/8" NUT		08
14	0501042160	5/8" X 76 BOLT ASSY		12
14A	0501011234	5/8" X 3" BOLT		12
14B	0501010947	5/8 NUT LOCK		12
14C	0501012140	FLAT WASHER		12
14D	0503010013	5/8" NUT		12
15	0501810110	NUT 1.1/2		08



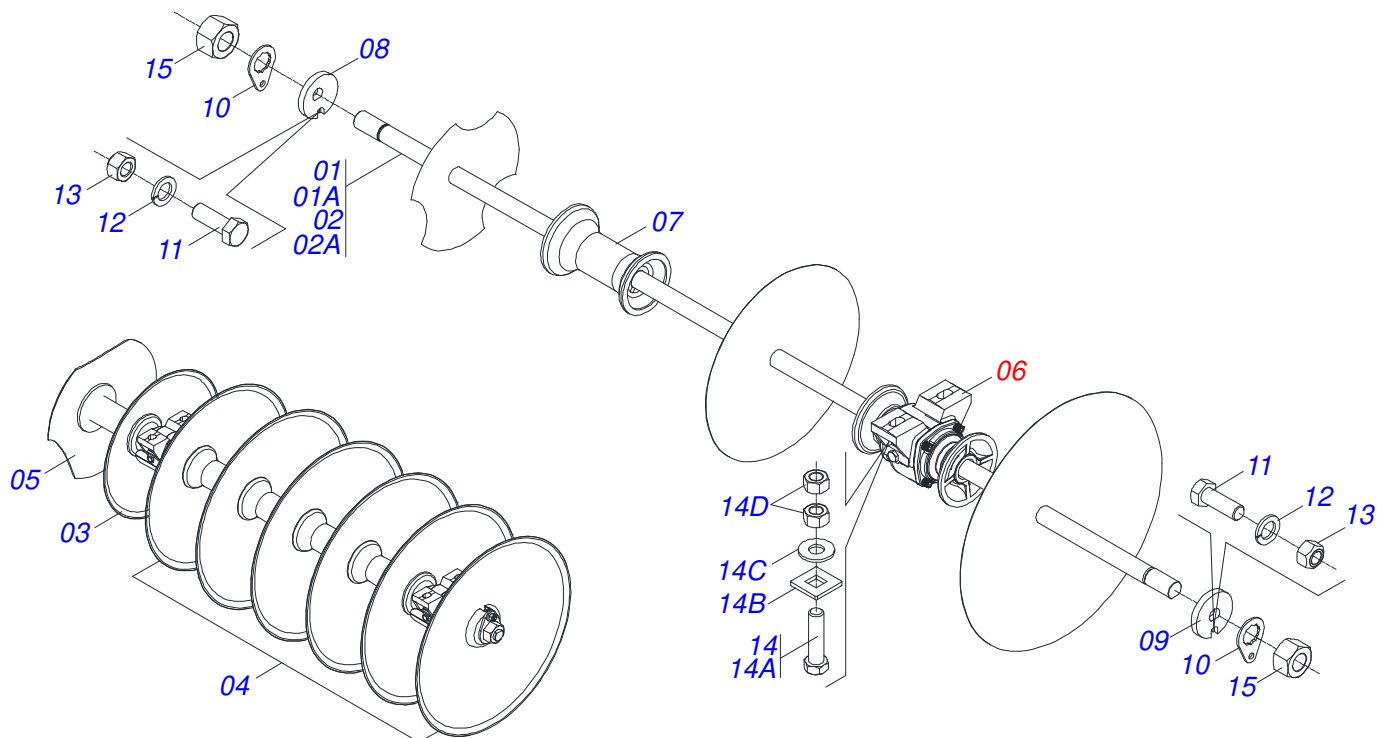
Item	Code	Description	See page	QT
01	0501043835	1.1/2" X 1040 AXLE W/NUT		02
01A	0511010224	1.1/2" X 1040 AXLE		02
02	0501043697	1.1/2" X 1505 AXLE ASSY		02
02A	0511012601	1.1/2" X 1505 AXLE		02
03	0602029409	22" X 4,5 NOTCHED DISC BLADE		02
04	0602030335	NOTCHED DISC BLADE		22
04.	0602033252	26" X 6 NOTCHED DISC BLADE		22
05	0501044315	9" X 1-1/2" OIL BATH BEARING	15	08
06	0502010621	8.8" 1-1/2" SPACER		06
07	0502010871	1-1/2" EXTERNAL AXLE WASHER		04
08	0502010872	1-1/2" INNER AXLE WASHER		04
09	0501018592	1.5/8" NUT LOCK		08
10	0503011267	BOLT 5/8 UNC X 1.1/2 C S G.5 ZN		08
11	0503010027	5/8" SPRING WASHER		08
12	0503010013	5/8" NUT		08
13	0501042160	5/8" X 76 BOLT ASSY		16
13A	0501011234	5/8" X 3" BOLT		16
13B	0501010947	5/8 NUT LOCK		16
13C	0501012140	FLAT WASHER		16
13D	0503010013	5/8" NUT		16
14	0501810110	NUT 1.1/2		12



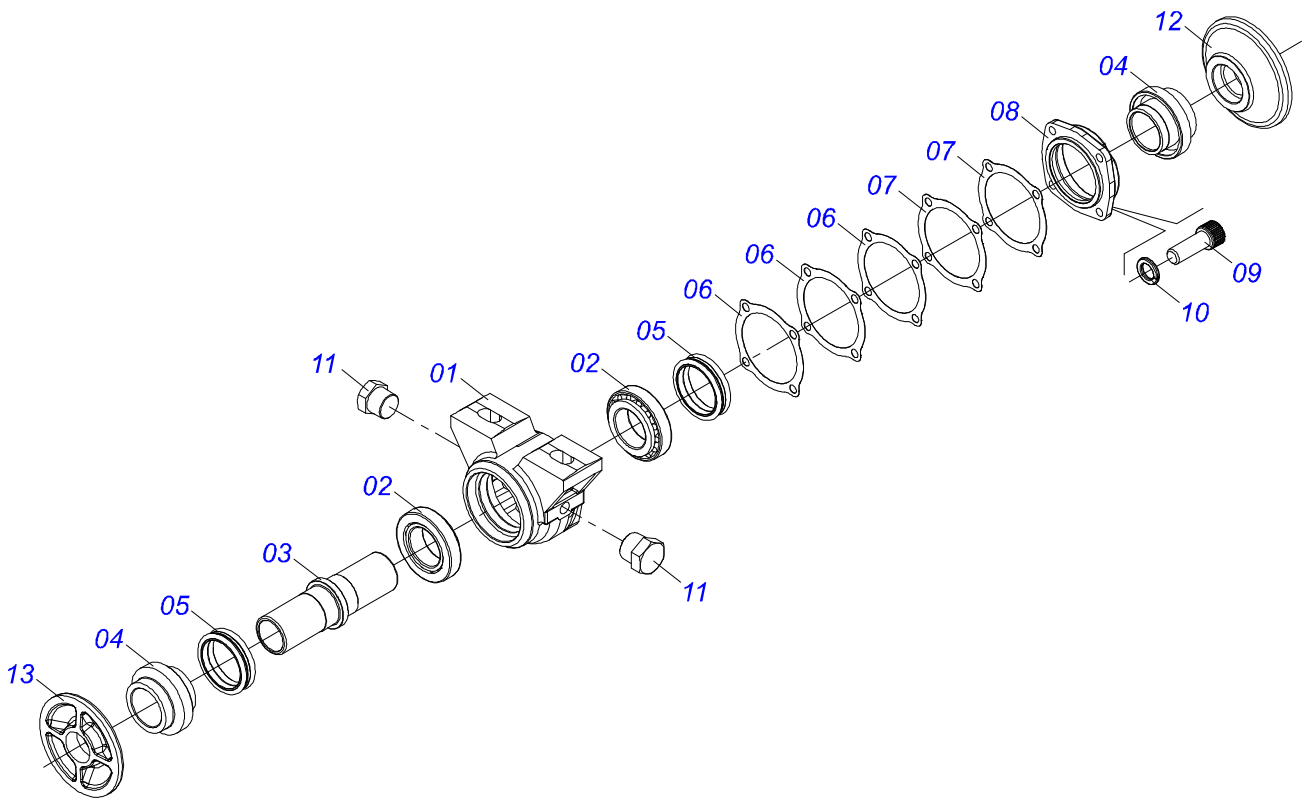
Item	Code	Description	See page	QT
01	0501043697	1.1/2" X 1505 AXLE ASSY		02
01A	0511012601	1.1/2" X 1505 AXLE		02
02	0501043697	1.1/2" X 1505 AXLE ASSY		02
02A	0511012601	1.1/2" X 1505 AXLE		02
03	0601029406	22" X 4,5 PLAIN DISC BLADE		02
04	0601031039	DL24X4,75 C72AF02FR1.9/16 TATU TERR		22
04.	0601033237	26"X 6 PLAIN DISC BLADE		22
05	0602027348	NOTCHED DISC BLADE		02
06	0501044315	9" X 1-1/2" OIL BATH BEARING	15	08
07	0502010621	8.8" 1-1/2" SPACER		07
08	0502010871	1-1/2" EXTERNAL AXLE WASHER		04
09	0502010872	1-1/2" INNER AXLE WASHER		04
10	0501018592	1.5/8" NUT LOCK		08
11	0503011267	BOLT 5/8 UNC X 1.1/2 C S G.5 ZN		08
12	0503010027	5/8" SPRING WASHER		08
13	0503010013	5/8" NUT		08
14	0501042160	5/8" X 76 BOLT ASSY		16
14A	0501011234	5/8" X 3" BOLT		16
14B	0501010947	5/8 NUT LOCK		16
14C	0501012140	FLAT WASHER		16
14D	0503010013	5/8" NUT		16
15	0501810110	NUT 1.1/2		12



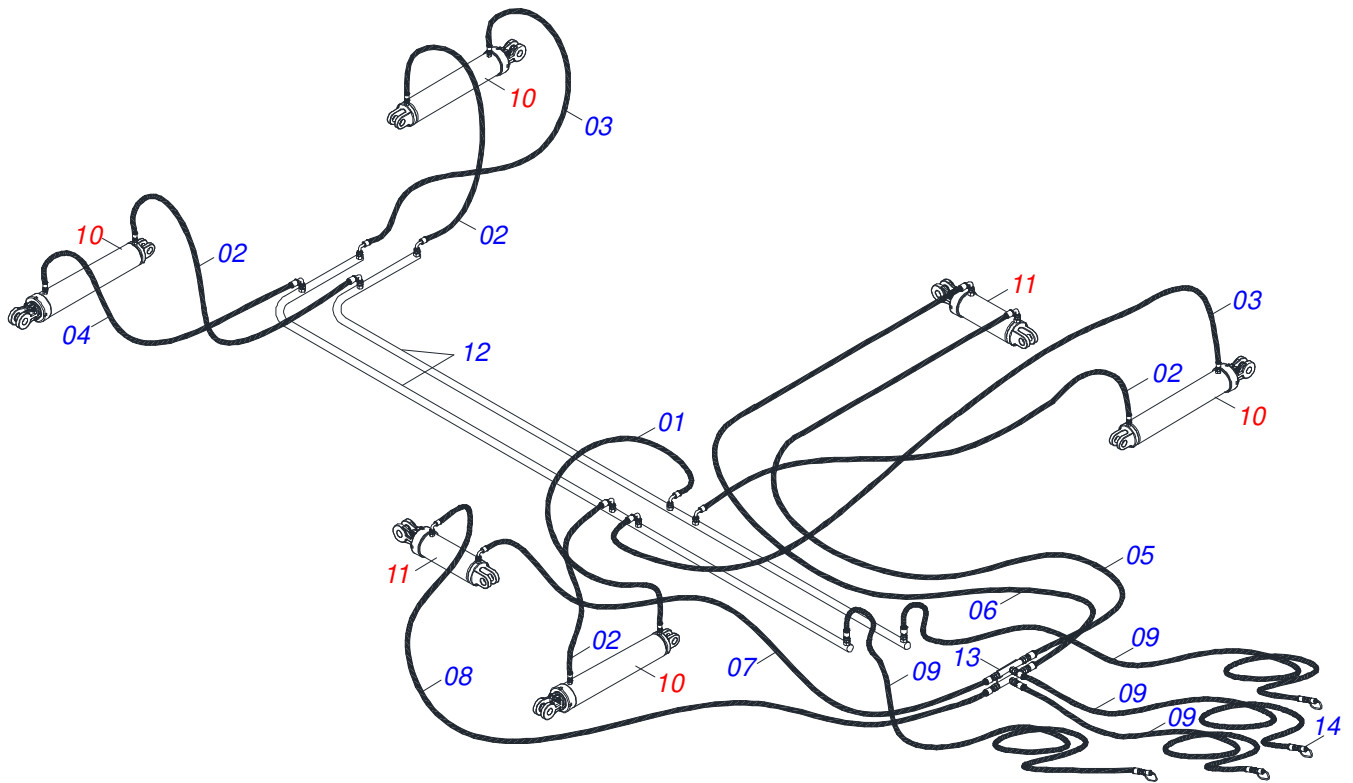
Item	Code	Description	See page	QT
01	0501043835	1.1/2" X 1040 AXLE W/NUT		02
01A	0511010224	1.1/2" X 1040 AXLE		02
02	0501043837	1-1/2" X 68" AXLE WITH NUTS		02
02A	0511010225	1-1/2" X 68" AXLE		02
03	0602030331	24" X 0.236" NOTCHED DISC BLADE		02
04	0602033252	26" X 6 NOTCHED DISC BLADE		22
05	0501044315	9" X 1-1/2" OIL BATH BEARING	15	08
06	0502010621	8.8" 1-1/2" SPACER		14
07	0502010871	1-1/2" EXTERNAL AXLE WASHER		04
08	0502010872	1-1/2" INNER AXLE WASHER		04
09	0501018592	1.5/8" NUT LOCK		08
10	0503011267	BOLT 5/8 UNC X 1.1/2" C S G.5 ZN		08
11	0503010027	5/8" SPRING WASHER		08
12	0503010013	5/8" NUT		08
13	0501042160	5/8" X 76 BOLT ASSY		16
13A	0501011234	5/8" X 3" BOLT		16
13B	0501010947	5/8 NUT LOCK		16
13C	0501012140	FLAT WASHER		16
13D	0503010013	5/8" NUT		16
14	0501810110	NUT 1.1/2		08



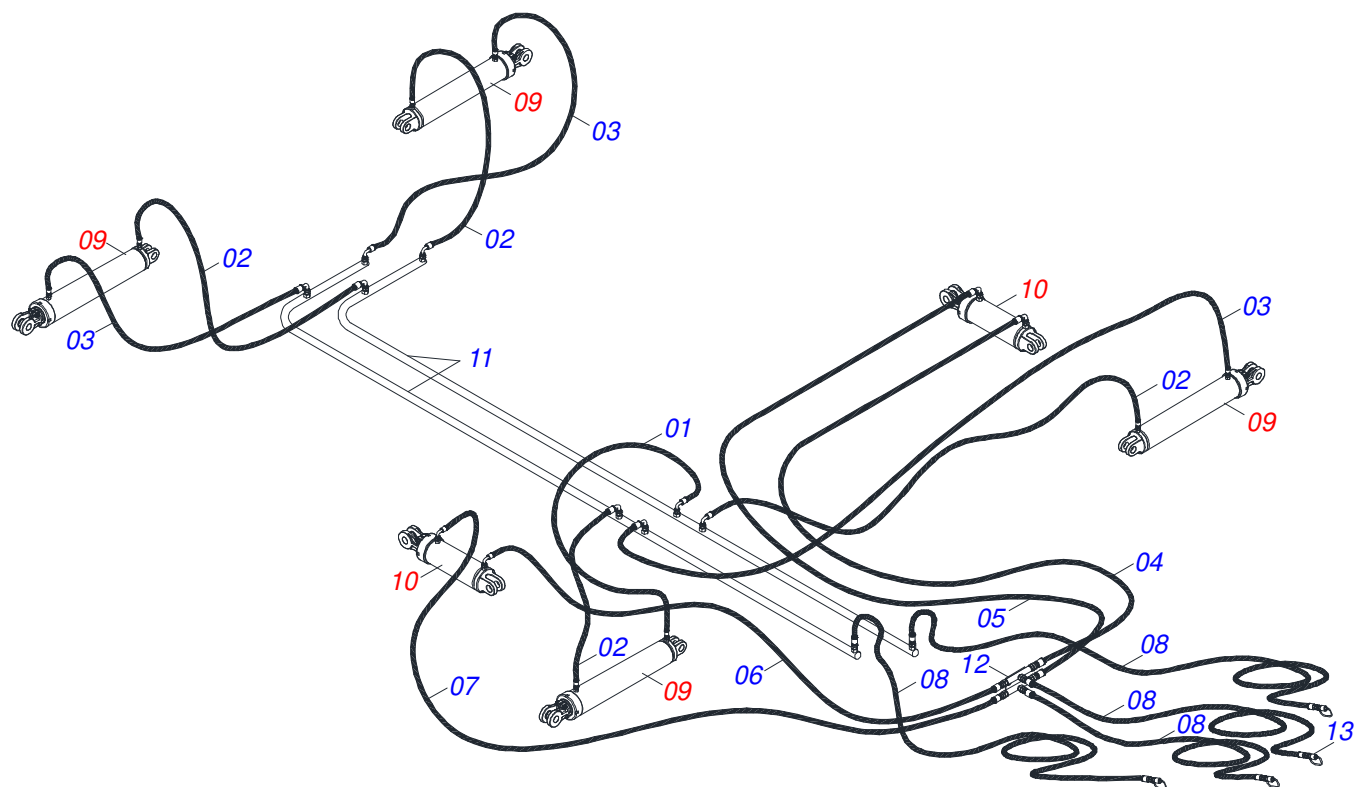
Item	Code	Description	See page	QT
01	0501043837	1-1/2" X 68" AXLE WITH NUTS		02
01A	0511010225	1-1/2" X 68" AXLE		02
02	0501043689	1-1/2" X 1275 AXLE W/NUT		02
02A	0511012600	1-1/2" X 1275 AXLE		02
03	0601031031	24" X 6 PLAIN DISC BLADE		02
04	0601033237	26" X 6 PLAIN DISC BLADE		24
05	0602029293	22" X 6 NOTCHED DISC BLADE		02
06	0501044315	9" X 1-1/2" OIL BATH BEARING	15	08
07	0502010621	8.8" 1-1/2" SPACER		16
08	0502010871	1-1/2" EXTERNAL AXLE WASHER		04
09	0502010872	1-1/2" INNER AXLE WASHER		04
10	0501018592	1.5/8" NUT LOCK		08
11	0503011267	BOLT 5/8 UNC X 1.1/2 C S G.5 ZN		08
12	0503010027	5/8" SPRING WASHER		08
13	0503010013	5/8" NUT		08
14	0501042160	5/8" X 76 BOLT ASSY		12
14A	0501011234	5/8" X 3" BOLT		12
14B	0501010947	5/8 NUT LOCK		12
14C	0501012140	FLAT WASHER		12
14D	0503010013	5/8" NUT		12
15	0501810110	NUT 1.1/2		08



Item	Code	Description	See page	QT
01	0502010540	HOUSING DM		01
02	0503010006	32210 ROLLER BEARING		02
03	0502040611	AXLE		01
04	0502010821	SEAL RETAINER		02
05	0503030026	SEAL LP JB-253		02
06	0503030013	4.4" X 3.5" X 0.004" JOINT		03
07	0503030684	4.4" X 3.5" X 0.004" JOINT		02
08	0502020424	HOUSING CAP		01
09	0503010134	3/8" X 1" BOLT		04
10	0503011443	3/8" SPRING WASHER		04
11	0503010856	OIL PLUG		02
12	0502010604	OUTER FLANGE		01
13	0502010605	INNER FLANGE		01



Item	Code	Description	See page	QT
01	0501080375	3/8 X 600 TR-TC HOSE		01
02	0501080396	3/8" X 45" HOSE		04
03	0501080436	3/8 X 1500 TR-TC HOSE		02
04	0501080402	HOSE 3/8 X 1700 TR-TC		01
05	0501080431	TR-TC HOSE ASSY		01
06	0501080419	3/8 X 2100 TR-TC HOSE		01
07	0501080469	3/8" X 98.42" TR-TR HOSE ASSY		01
08	0501080401	3/8" X 106" TR-TC HOSE		01
09	0501080361	3/8" X 157" TR-TM HOSE		04
10	0511059180	HYDRAULIC CYLINDER 50,80 X 101,60 X 515 X 203	4	02
11	0501044313	HYDRAULIC CYLINDER 38,1 X 63,5 X 800 X 400	3	04
12	0501066138	ARTICULATION TUBE		02
13	0501068706	DOUBLE CONNECTION		01
14	0501053834	MALE QUICK COUPLER		04



Item	Code	Description	See page	QT
01	0501080150	3/8 X 800 TR-TC HOSE		01
02	0501080436	3/8 X 1500 TR-TC HOSE		04
03	0501080461	3/8 X 1800 TR-TC HOSE		03
04	0501080431	TR-TC HOSE ASSY		01
05	0501080419	3/8 X 2100 TR-TC HOSE		01
06	0501080469	3/8" X 98.42" TR-TR HOSE ASSY		01
07	0501080401	3/8" X 106" TR-TC HOSE		01
08	0501080361	3/8" X 157" TR-TM HOSE		04
09	0511059180	HYDRAULIC CYLINDER 50,80 X 101,60 X 515 X 203	4	02
10	0501044313	HYDRAULIC CYLINDER 38,1 X 63,5 X 800 X 400	3	04
11	0501066138	ARTICULATION TUBE		02
12	0501068706	DOUBLE CONNECTION		01
13	0501053834	MALE QUICK COUPLER		04



MARCHESAN

Technical Publications | Elaboration and Revision

MARINA PEREZ NIZA

www.marchesan.com.br

