

ROTARY CUTTERS

ROAT3 3400 WITH ROTATING HITCH

Code: 0501092197
Series: S-0118
Revision: 00
Date Revision: FEVEREIRO/2023

PARTS CATALOGUE



MARCHESAN



PRODUCTS

Code	Description
0104090025	ROAT3 3400 C/ENG GIRATORIO S-0118

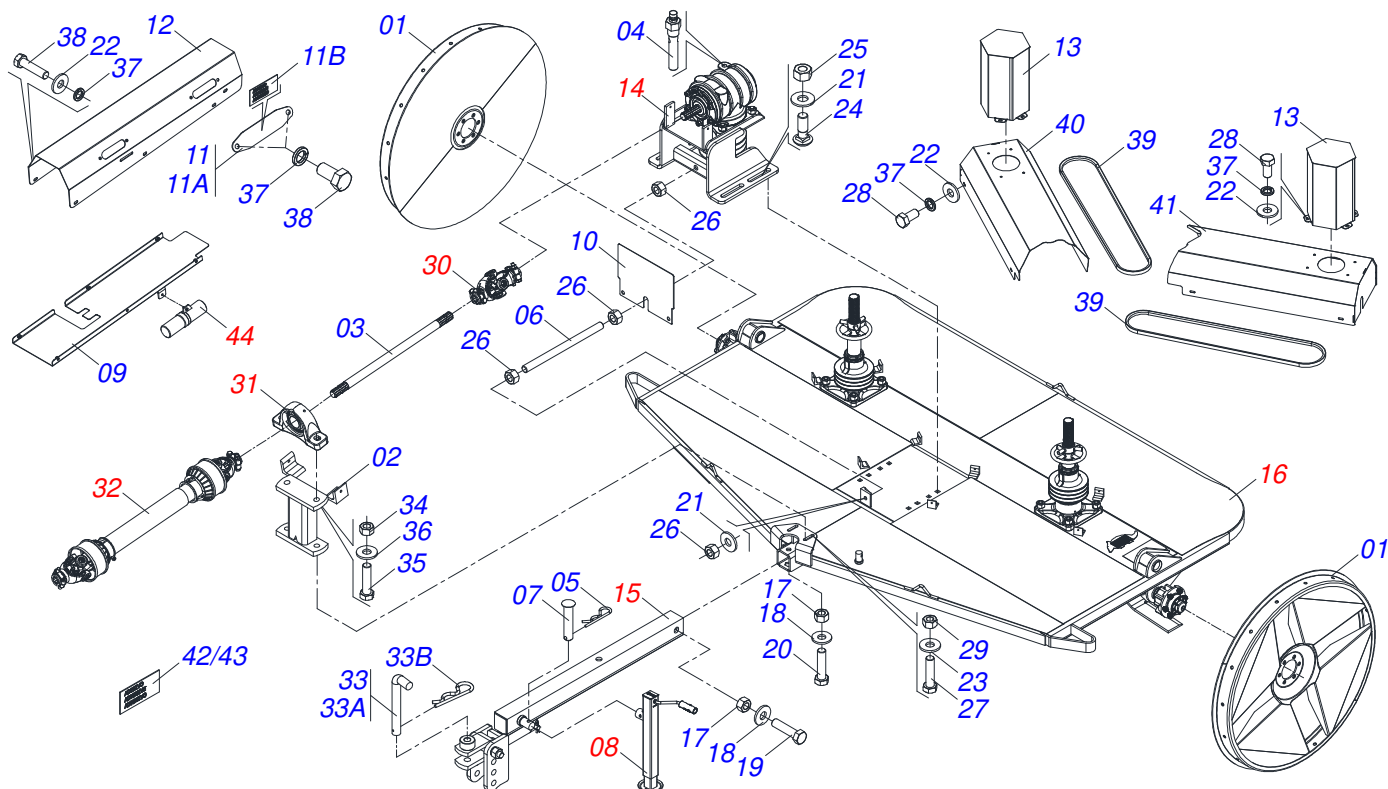
ATTENTION: IMPORTANT

Marchesan S.A. reserves the right to improve and/or modify the technical features of its products, without obligation to do the same with those products already sold and without prior knowledge of the dealer or the customer. The photos are only illustrative.



INDEX

0909093960	ASSY FRAME	1
0503062157	DRAWBAR JACK	2
0501052026	REEL SUPPORT MULTIPLIER	3
0501046851	MULTIPLIER	4
0521052035	SEMI HEADBOARD WITH TURNTABLE	5
0521052038	SEMI MOUNTED FRAME	6
0521052036	WHEELED WITHOUT TIRE	7
0501051142	CARRYING WHEEL HUB	8
0501057738	CUTTERS SUPPORT	9
0511046006	BASS MANDREL	10
0511046007	MANDREL ASSY	11
0501044065	UNIVERSAL JOINT	12
0501044307	AGRICULTURAL BEARING ASSY	13
0501047952	DRIVE SHAFT	14
0521055453	INSTRUCTION MANUAL DOOR SET	15



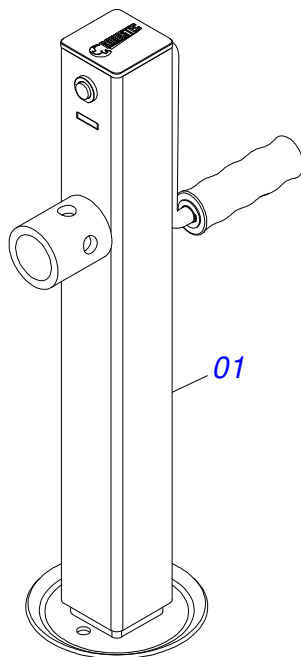
Item	Code	Description	See page	QT
01	0511061898	WHEEL		02
02	0501061174	BEARING SUPPORT		01
03	0561017688	TRANSMISSION SHAFT		01
04	0501110186	OIL SMALLER LEVEL INDICATOR		01
05	0503030168	HITCH PIN CLIP		01
06	0501013451	282 TENSIONER BODY		01
07	0521010549	COUPLING SHAFT		01
08	0503062157	DRAWBAR JACK	2	01
09	0501111187	LOWER COVER PROTECTION TRANSMISSION SHAFT WITH RIVET		01
10	0581012545	PROTECTION BELT MULTIPLIER SUPPORT		01
11	0521052619	TRANSMISSION SHAFT LUBRICATION DOOR WITH ADHESIVE		01
11A	0581012546	LUBRICATION AXIS TRANSMISSION		01
11B	0503034247	ADHESIVE LABEL POINT LUBRICATION		01
12	0501111189	GREATER PROTECTION COVER TRANSMISSION SHAFT WITH RIVET		01
13	0521067228	SHIELD AXLE PROTECTION COVER		02
14	0501052026	REEL SUPPORT MULTIPLIER	3	01
15	0521052035	SEMI HEADBOARD WITH TURNTABLE	5	01
16	0521052038	SEMI MOUNTED FRAME	6	01
17	0503018754	1-8 UNC NUT		02
18	0511015994	FLAT WASHER		02
19	0501010392	1" X 5" BOLT		01
20	0501010372	1" X 5-1/2" BOLT		01
21	0501010322	FLAT WASHER		05
22	0501010984	10,50 X 27 X 3,00 FLAT WASHER		26
23	0501012140	FLAT WASHER		04
24	0501017305	3/4" X 2-1/4" BOLT		04
25	0503011075	3/4" UNC NUT		04
26	0503010014	3/4" HEX NUT		04
27	0503010233	5/8" X 2-1/2" BOLT		02



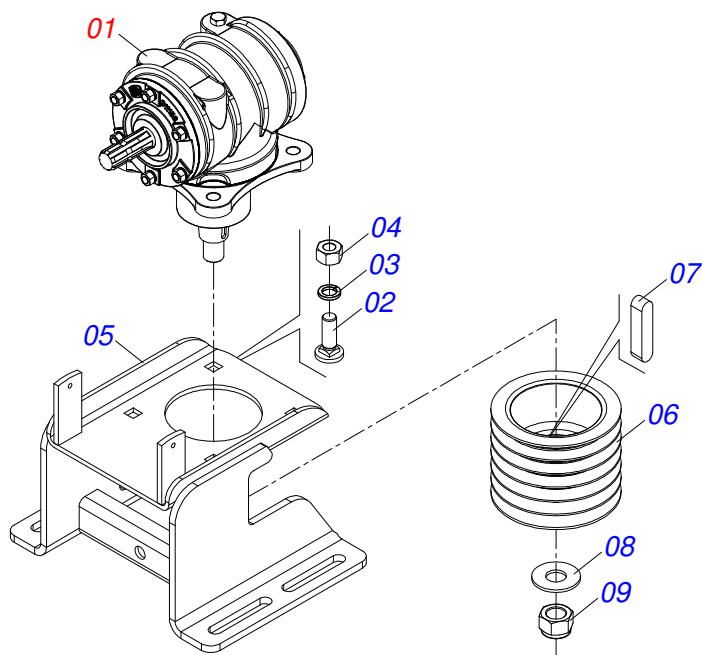
ASSY FRAME

0909093960

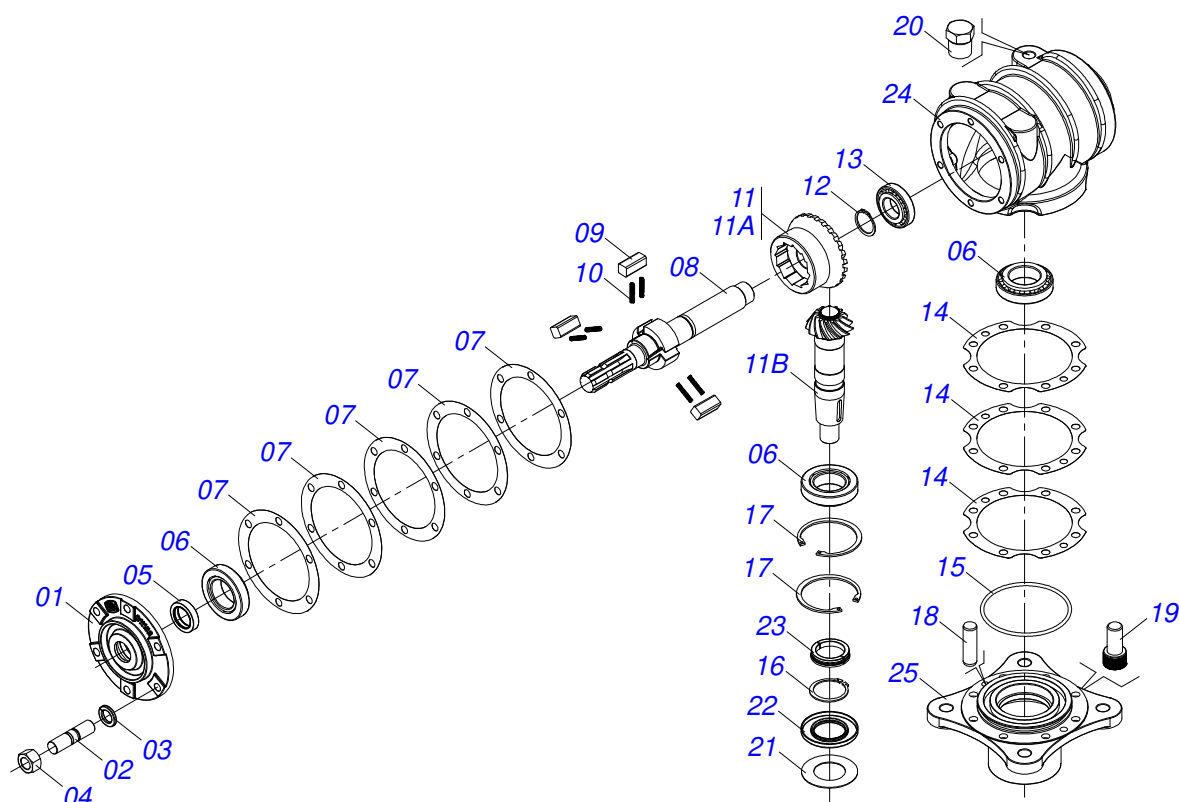
Item	Code	Description	See page	QT
28	0503010237	3/8" X 1" BOLT		26
29	0503010878	5/8" SELF ALIGNING NUT		02
30	0501044065	UNIVERSAL JOINT	12	01
31	0501044307	AGRICULTURAL BEARING ASSY	13	01
32	0501047952	DRIVE SHAFT	14	01
33	0501040343	DRAWBOLT ASSY		01
33A	0521010453	AXI SHAFT		01
33B	0503031035	HITCH PIN CLIP		01
34	0503010589	1/2" UNC SELF ADJUSTING NUT		02
35	0503010734	1/2" X 2-1/2" BOLT		02
36	0511017302	FLAT WASHER 13,50 X 32,50 X 3,0 ZN		04
37	0503010025	3/8 SPRING WASHER		30
38	0503010256	3/8" X 3/4" BOLT		04
39	0503010924	C-96 BELT		04
40	0501111184	RIGHT PROTECTION COVER		01
41	0501111185	LEFT PROTECTION COVER		01
42	0503031087	ADHESIVE LABEL		01
43	0503031127	ADHESIVE LABEL		01
44	0521055453	INSTRUCTION MANUAL DOOR SET	15	01



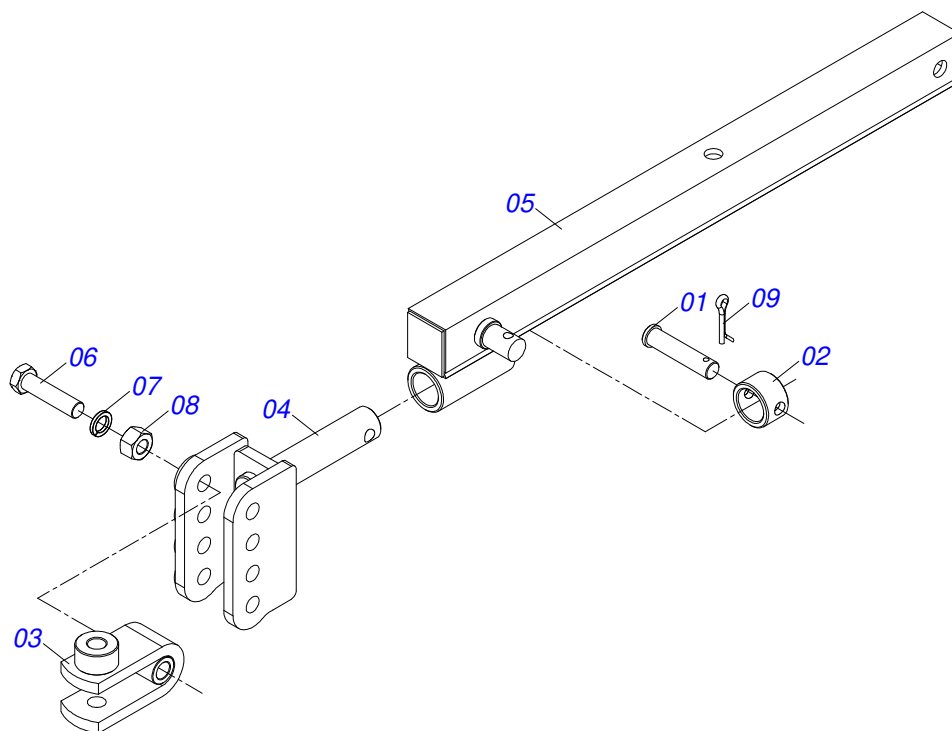
Item	Code	Description	See page	QT
01	0503062157	DRAWBAR JACK	2	01



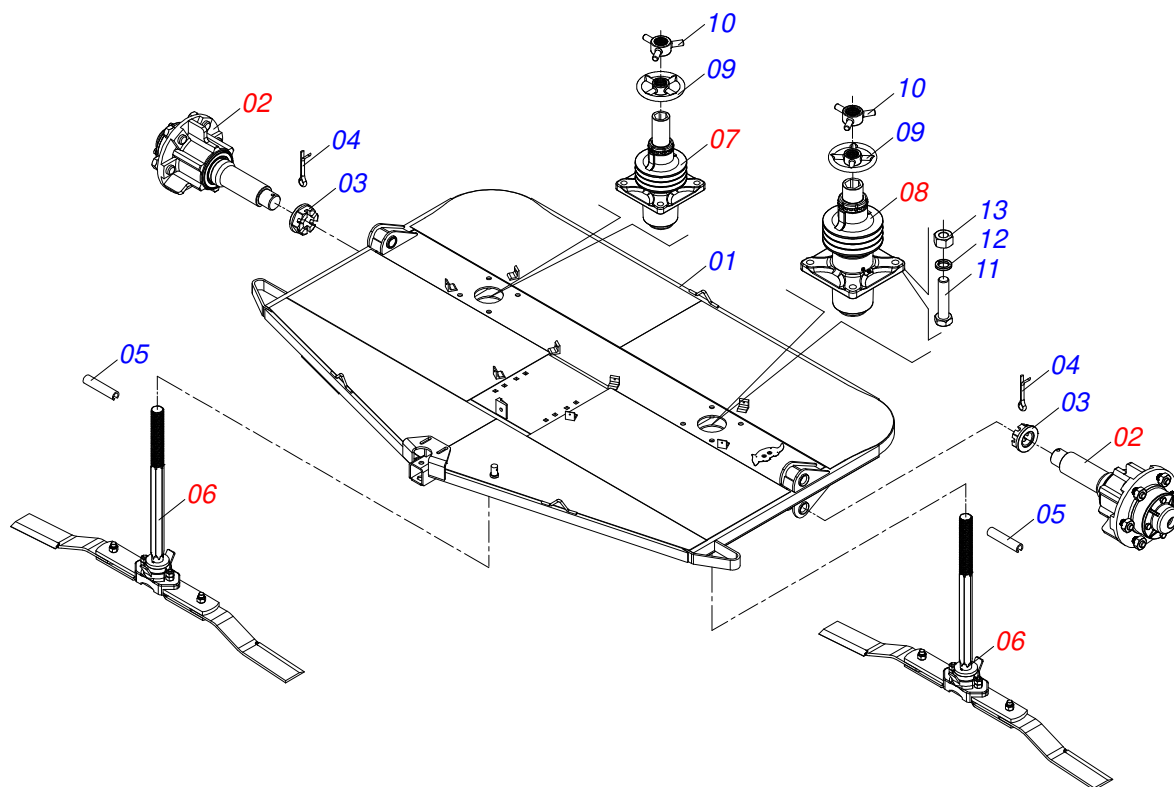
Item	Code	Description	See page	QT
01	0501046851	MULTIPLIER	4	01
02	0511018358	3/4" X 2-1/4"7MM BOLT		04
03	0503011442	3/4" SPRING WASHER		04
04	0503010014	3/4" HEX NUT		04
05	0501068587	MULTIPLIER SUPPORT		01
06	0502011378	6 REEL X 7.5" X 1.97" PULLEY		01
07	0501010536	KEYWAY SQUARE		02
08	0561015762	FLAT WASHER		01
09	0503010817	1.1/4" SELF LOCKING NUT		01



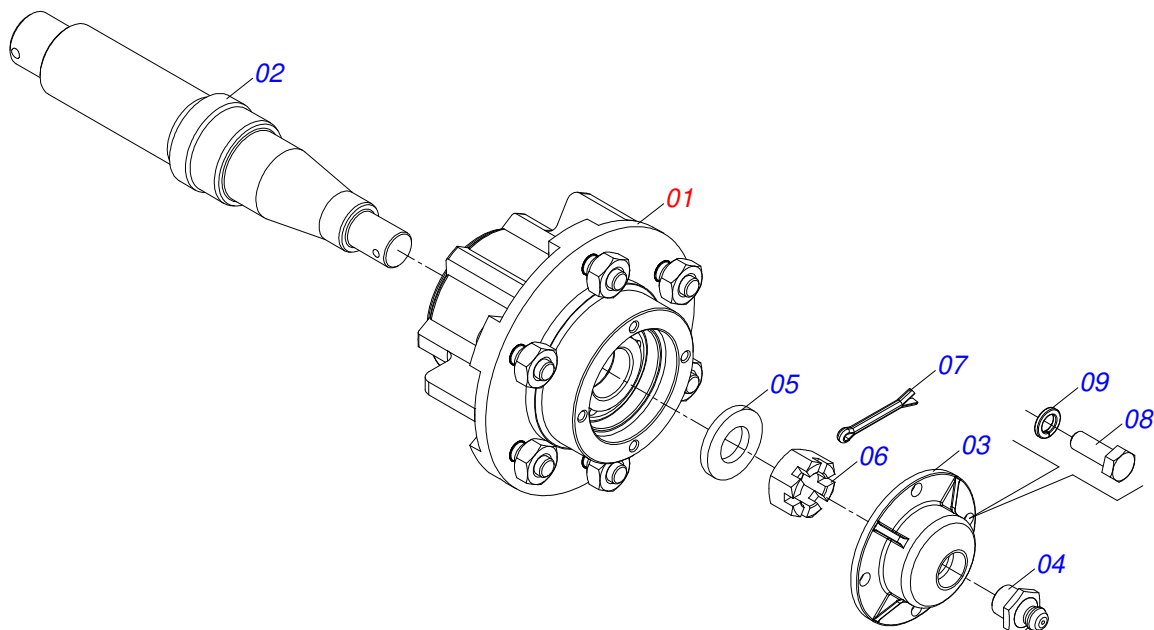
Item	Code	Description	See page	QT
01	0502011152	SMALLER COVER		01
02	0503030084	1/2" X 1/2" X 2.0" STUD		06
03	0503011440	SPRING WASHER		06
04	0503010028	1/2" NUT		06
05	0503011171	00912-BRG SEAL		01
06	0503010006	32210 ROLLER BEARING		03
07	0503030783	7.1" X 5.3" X 0.008" JOINT		05
08	0503050063	UPPER AXLE		01
09	0501010649	RATCHET CLICK		03
10	0503030051	0.2" X 1" X 0.1" COMPRESSION SPRING		06
11	0503060210	25Z CROWN/13Z PINION MLE EG-2142 SET		01
11A	0503050074	25Z CONICAL GEAR		01
11B	0503061048	PINION		01
12	0503010217	501040 CLAMPING RING (FOR AXLE)		01
13	0503010037	30207 ROLLER BEARING		01
14	0503030785	7.9" X 5.9" X 0.008" JOINT		03
15	0503010286	2-355 N 3006-9B O'RING		01
16	0503010396	501060 CLAMPING RING (FOR AXLE)		01
17	0503011190	SEAL RING		02
18	0503017877	PIN GUIDE		02
19	0503010562	1/2" X 1" BOLT		08
20	0503031604	1/2" BSP PLUG		01
21	0521018064	FLAT WASHER		01
22	0503011047	5089 SEAL		01
23	0511010142	LOCK RING		01
24	0502010984	LEFT MULTIPLIER BOX		01
25	0502011393	LOWER HUB		01



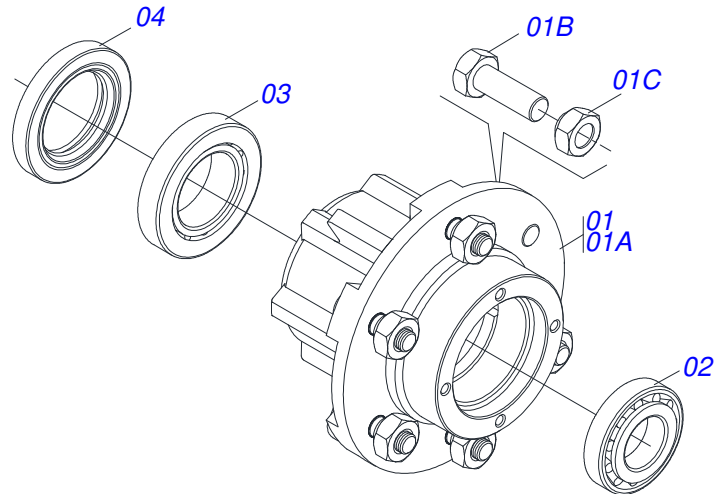
Item	Code	Description	See page	QT
01	0521010639	COUPLING SHAFT		01
02	0521010681	BUSHING COUPLING BODY		01
03	0521065106	U COUPLING TRACTOR		01
04	0521068289	ROTATING HITCH		01
05	0521068296	SEMI HEADER		01
06	0501010060	1" X 6-1/2" BOLT		01
07	0503010012	1" SPRING WASHER		01
08	0501010059	1.5/8 NUT		01
09	0503010571	1/4" X 1.1/2 COTTERPIN		01



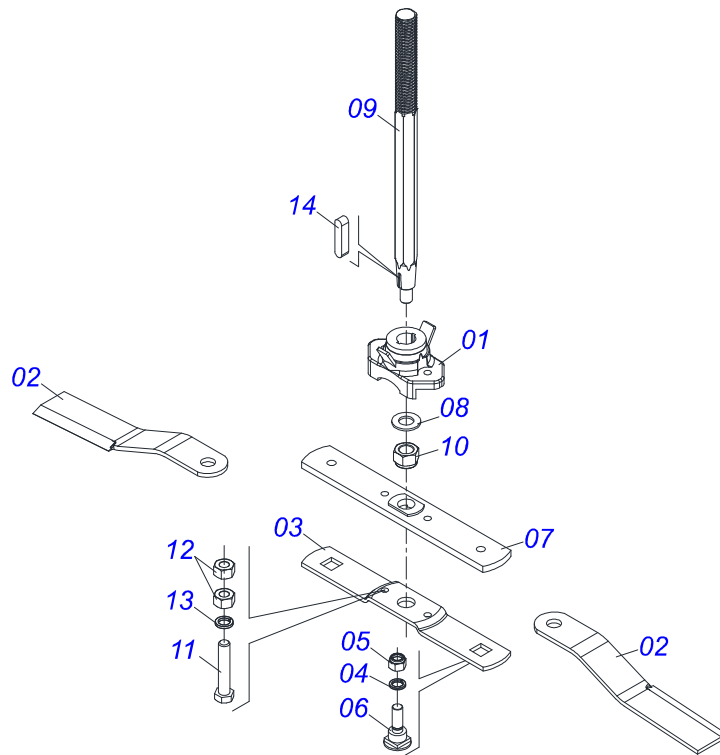
Item	Code	Description	See page	QT
01	0521068292	FRAME		01
02	0521052036	WHEELED WITHOUT TIRE	7	02
03	0501011301	1.1/2 UNC 6FPP 2.5/16 NUT		02
04	0503010010	1/4" X 2.1/2" COTTERPIN		02
05	0503016184	SPRING PIN		02
06	0501057738	CUTTERS SUPPORT	9	02
07	0511046006	BASS MANDREL	10	01
08	0511046007	MANDREL ASSY	11	01
09	0502012459	HANDLE ROAT2		02
10	0502012460	HANDLE LOCK		02
11	0501010372	1" X 5-1/2" BOLT		08
12	0503011438	SPRING WASHER		08
13	0501010059	1.5/8 NUT		08
14	0503034003	SERIAL NUMBER TAG 61 X 118		01
15	0503010001	3.2 X 5.5 RIVET		04
16	0503034616	ADHESIVE LABEL		01
17	0503031427	ADHESIVE LABEL		01
18	0503031428	READ MANUAL DECAL		01
19	0503031929	ADHESIVE LABEL		01
20	0503031930	ADHESIVE LABEL		01
21	0503031931	ADHESIVE LABEL		01
22	0503032949	ADHESIVE LABEL		01
23	0503034078	LIFTING POINTS DECAL		03
24	0503034333	ADHESIVE LABEL		01



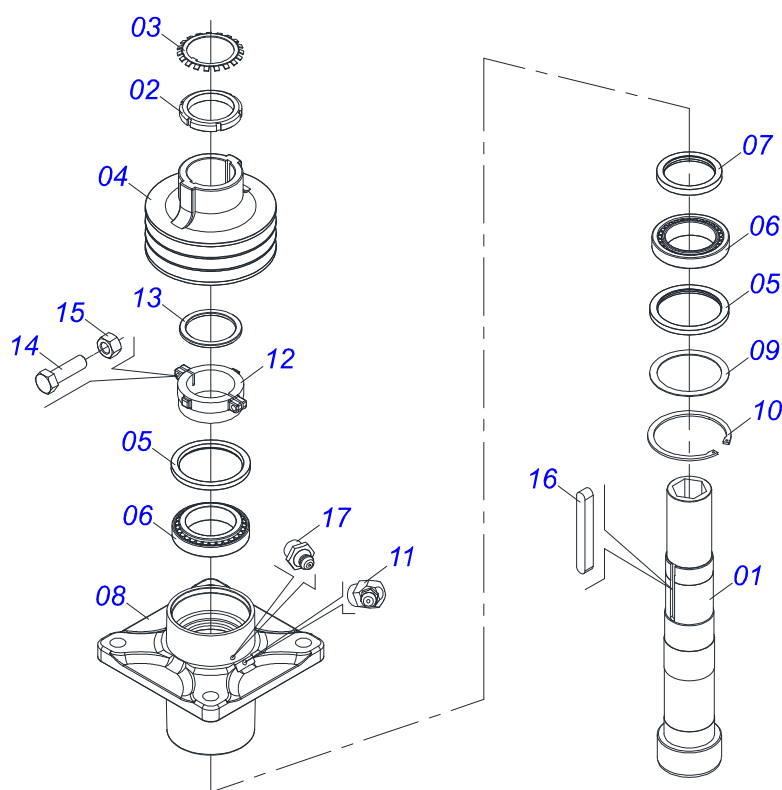
Item	Code	Description	See page	QT
01	0501051142	CARRYING WHEEL HUB	8	01
02	0581015705	AXIS 63,50 X 337		01
03	0502020591	PROTECCION COVER		01
04	0503010002	1800 GREASE FITTING		01
05	0501016545	FLAT WASHER		01
06	0503030009	1" CASTLE NUT		01
07	0503010018	5/32 X 1-1/2 COTTERPIN		01
08	0503010358	5/16" X 5/8" BOLT		04
09	0503011444	SPRING WASHER		04
10	1882970002	GREASE SOAP		01



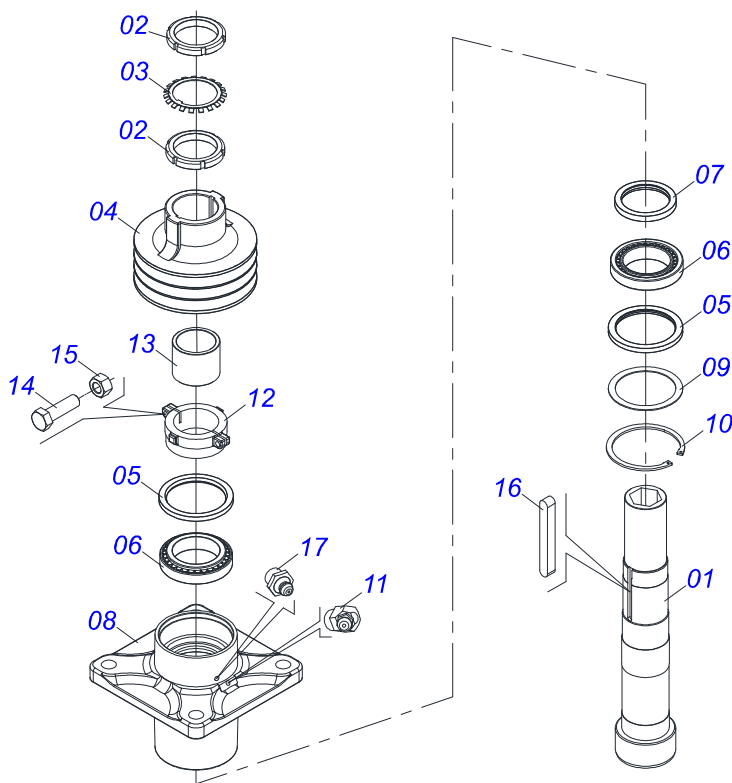
Item	Code	Description	See page	QT
01	0501110728	WHEEL HUB		01
01A	0502011121	CARRYING WHEEL HUB		01
01B	0501010127	9/16" X 1-7/8" LUG BOLT		06
01C	0503010035	9/16" CONIC NUT		06
02	0503010037	30207 ROLLER BEARING		01
03	0503010006	32210 ROLLER BEARING		01
04	0503012928	SEAL		01



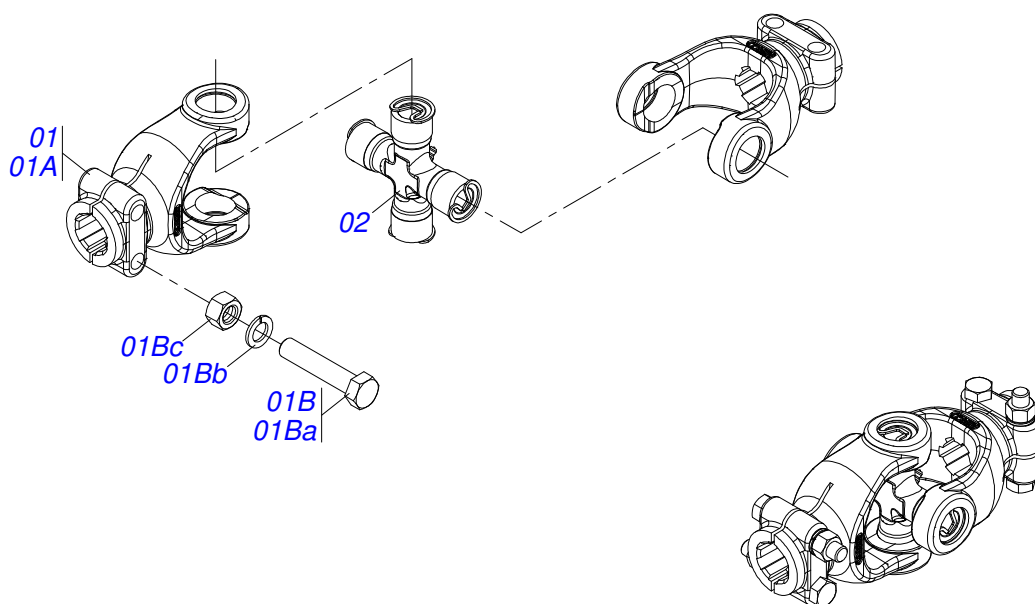
Item	Code	Description	See page	QT
01	0502012453	SUPPORT FLANGE		01
02	0622400054	24.5" X 3.94" X 0.5" ROTARY CUTTER		02
03	0561017369	ROTARY LOWER SUPPORT LOWER		01
04	0503011447	SPRING WASHER		02
05	0503010812	7/8" UNF SELF LOCKING NUT		02
06	0511019000	BOLT		02
07	0561017307	SUPPORT UPPER BASE		01
08	0501017779	32 X 60 X 4.75 FLAT WASHER		01
09	0551015952	SUPPORT FIXER AXLE		01
10	0503010817	1.1/4" SELF LOCKING NUT		01
11	0503011328	3/4" X 4" BOLT		02
12	0503010014	3/4" HEX NUT		04
13	0503011442	3/4" SPRING WASHER		02
14	0501010536	KEYWAY SQUARE		02



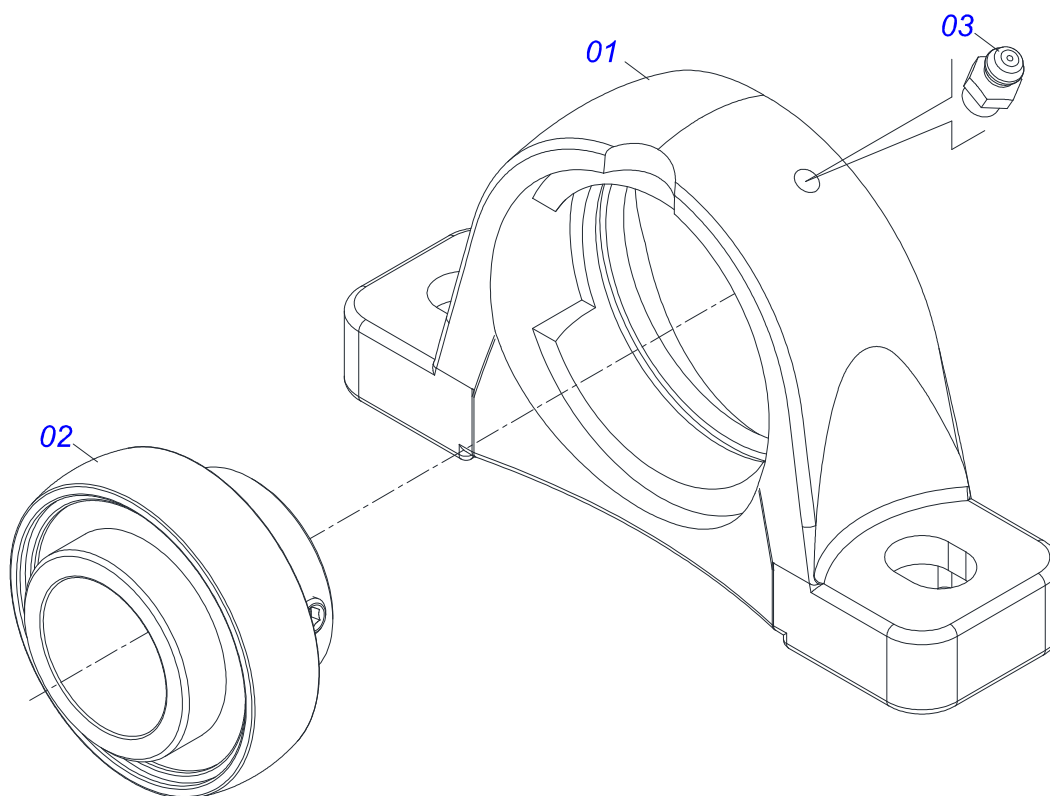
Item	Code	Description	See page	QT
01	0502040767	MANDREL AXLE BODY		01
02	0503010554	KM- 16 LOCKNUT		01
03	0503010553	LOCK WASHER		01
04	0502012463	3 REEL 210 PULLEY		01
05	0503010095	01103-B SEAL		02
06	0503014559	ROLLER BEARING		02
07	0503014560	SEAL		01
08	0502012461	MANDREL BODY		01
09	0551015956	FLAT WASHER		01
10	0503014558	502135 CLAMPING RING (FOR HOLE)		01
11	0503010003	1845 GREASE FITTING		01
12	0502040768	ADJUSTMENT BUSHING		01
13	0551015954	WASHER		01
14	0503010751	C3/8" X 1.1/4" HEX BOLT G.5		02
15	0503010026	3/8" NUT		02
16	0501018488	3/8" X 3.1" KEYWAY SQUARE		02
17	0503010002	1800 GREASE FITTING		02



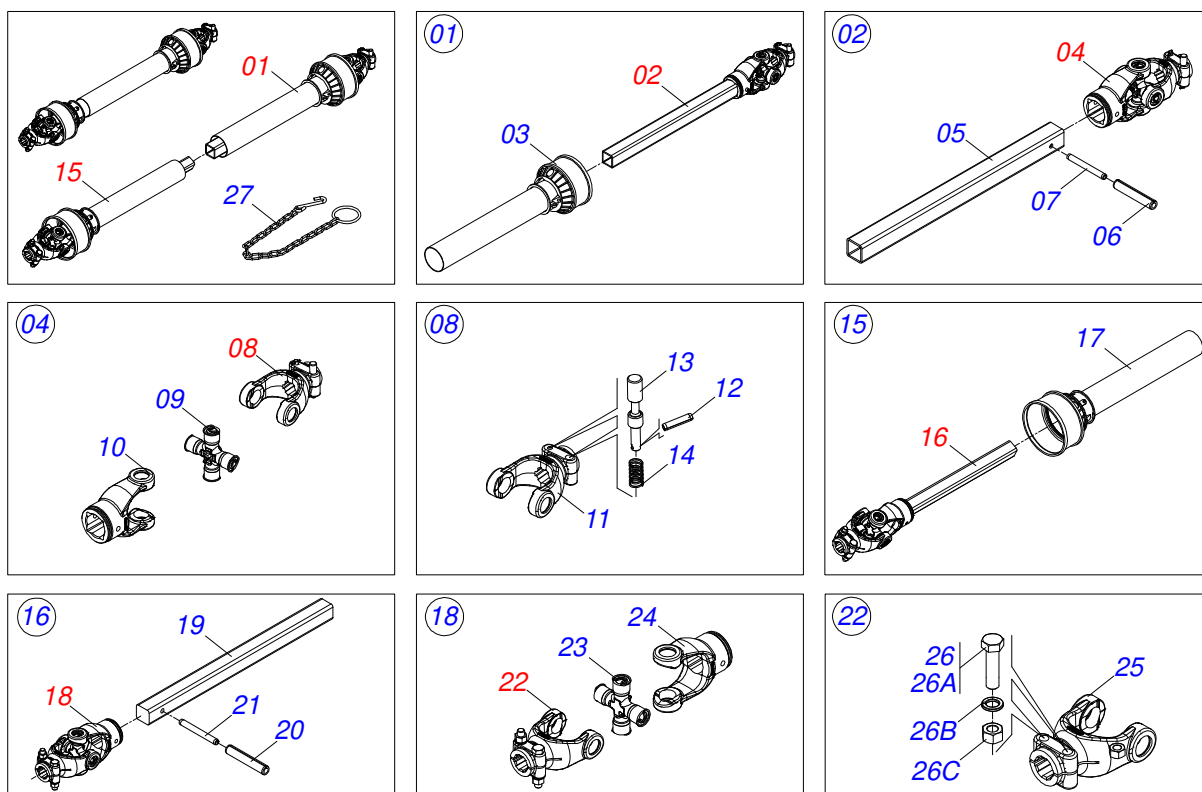
Item	Code	Description	See page	QT
01	0502040766	MANDREL AXLE BODY		01
02	0503010554	KM- 16 LOCKNUT		02
03	0503010553	LOCK WASHER		01
04	0502012463	3 REEL 210 PULLEY		01
05	0503010095	01103-B SEAL		02
06	0503014559	ROLLER BEARING		02
07	0503014560	SEAL		01
08	0502012461	MANDREL BODY		01
09	0551015956	FLAT WASHER		01
10	0503014558	502135 CLAMPING RING (FOR HOLE)		01
11	0503010003	1845 GREASE FITTING		01
12	0502040768	ADJUSTMENT BUSHING		01
13	0551015955	84 X 105 X 82,6 SLEEVE		01
14	0503010751	C3/8" X 1.1/4" HEX BOLT G.5		02
15	0503010026	3/8" NUT		02
16	0501018488	3/8" X 3.1" KEYWAY SQUARE		02
17	0503010002	1800 GREASE FITTING		01



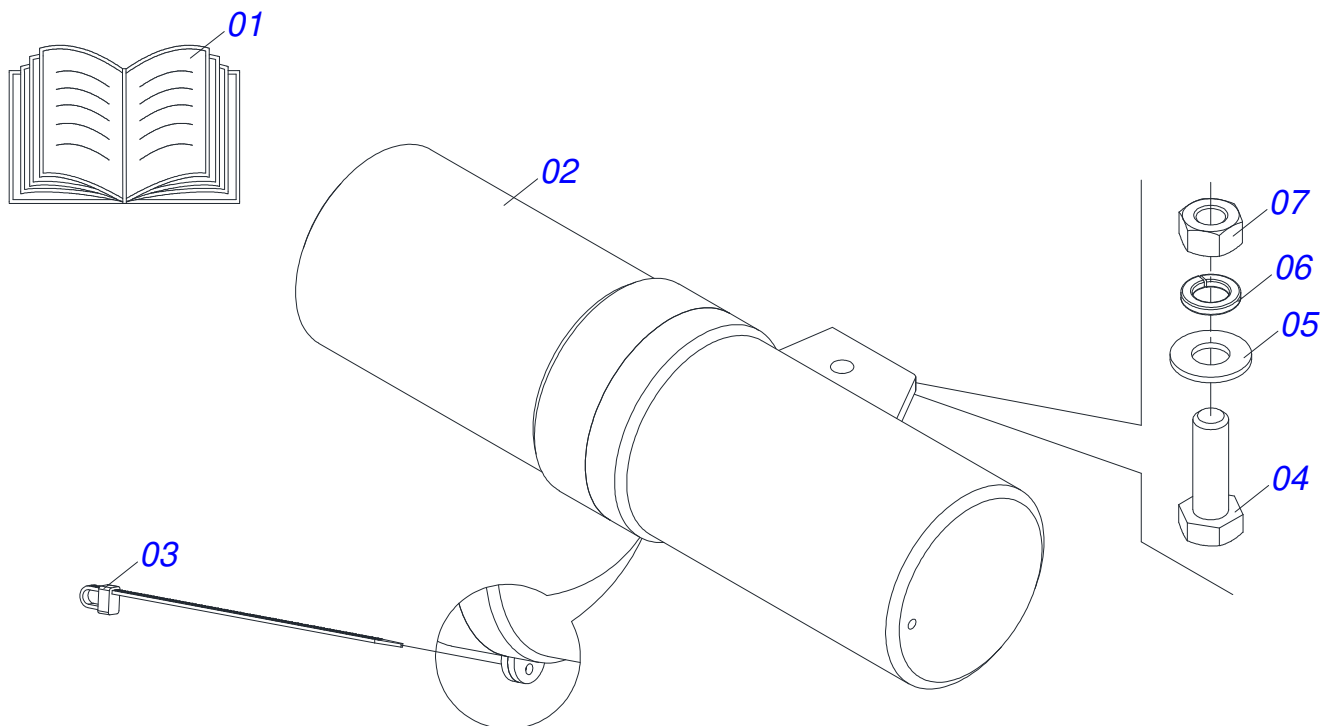
Item	Code	Description	See page	QT
01	0501052516	T6-60 TERMINAL WITH SCREW		02
01A	0502010830	6-60 STRIATED 1.3/8" TERMINAL		02
01B	0501047756	1/2" X 3" SET PARTS		02
01Ba	0503010479	BOLT		02
01Bb	0503010019	1/2" SPRING WASHER		02
01Bc	0503010060	1/2 UNC G.5 ZN HEX NUT		02
02	0503010837	CARDAN CROSSPIECE		01



Item	Code	Description	See page	QT
01	0503010596	AGRICULTURAL HOUSING BEARING		01
02	0503010597	BALL BEARING		01
03	0503010691	1/4" GREASE FITTING		01



Item	Code	Description	See page	QT
01	0501051705	UNIVERSAL JOINT WITH SLEEVE/PROT		01
02	0501051707	UNIVERSAL JOINT WITH SLEEVE		01
03	0503012084	PROTECTION FOR UNIV JOINT AND SLEEV		01
04	0501051708	UNIVERSAL JOINT		01
05	0511010332	23" X 1.8" SQUARE SLEEVE		01
06	0503010843	0.4" X 3.3" SPRING PIN		01
07	0503011878	0.2" X 3.3" SPRING PIN		01
08	0501050334	1-60 TERMINAL WITH QUICK HITCH		01
09	0503010837	CARDAN CROSSPIECE		01
10	0502011422	2-60 TERMINAL		01
11	0502010568	1-60 STRIATED 1.3/8" TERMINAL		01
12	0503010838	0.1" X 0.8" SPRING PIN		02
13	0503037375	PIN QUICK COUPLING		02
14	0503030518	0.5"X1.0"X 0.1" COMPRESSION SPRING		02
15	0501051706	UNIVERSAL JOINT WITH AXLE/PROT		01
16	0501051709	UNIVERSAL JOINT WITH SHAFT		01
17	0503012085	PROTECTION FOR UNIV JOINT AND AXLE		01
18	0501051710	UNIVERSAL JOINT		01
19	0511010326	1.4" X 23" SQUARE SHAFT		01
20	0503011069	0.4" X 2.8" SPRING PIN		01
21	0503011805	0.2" X 2.8" SPRING PIN		01
22	0501052516	T6-60 TERMINAL WITH SCREW		01
23	0503010837	CARDAN CROSSPIECE		01
24	0502011424	3-60 TERMINAL		01
25	0502010830	6-60 STRIATED 1.3/8" TERMINAL		01
26	0501047756	1/2" X 3" SET PARTS		02
26a	0503010479	BOLT		01
26b	0503010019	1/2" SPRING WASHER		01
26c	0503010060	1/2 UNC G.5 ZN HEX NUT		01
27	0503012023	CHAIN FOR PROTECTION		02



Item	Code	Description	See page	QT
01	0511033524	PLASTIC COVER WITH INSTRUCTIONS MANUAL		01
02	0503060100	INSTRUCTIONS MANUAL CANISTER		01
03	0503010267	NYLON CLAMP		01
04	0503010363	BOLT 5/16 UNC X 1 C S G.2 ZN		01
05	0501010694	FLAT WASHER		01
06	0503010179	LOCK WASHER 5/16 ZN 1K01528		01
07	0503010337	5/16" NUT		01



MARCHESAN

Technical Publications | Elaboration and Revision

ALESSANDRA PATRICIA KAWAHARA CARRILI

www.marchesan.com.br

