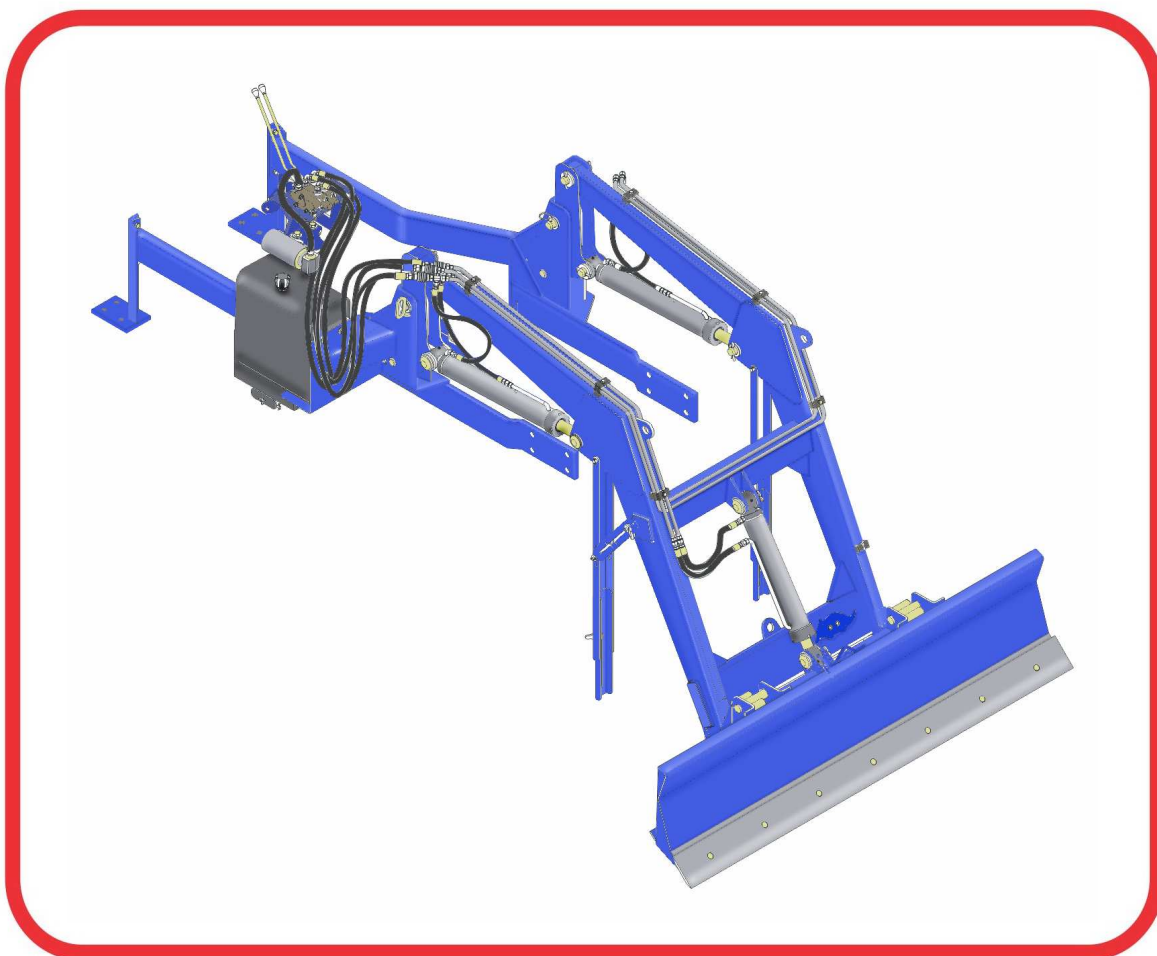


PARTS CATALOG

PCA - AGRICULTURAL FRONT LOADER

PCA 600 FNH 5630A6630-4 SHTCD

Code: 0501092194



Series: S-0899

Review: ABRIL/2018

**ORIGINAL PARTS
TATU**



PRODUCTS

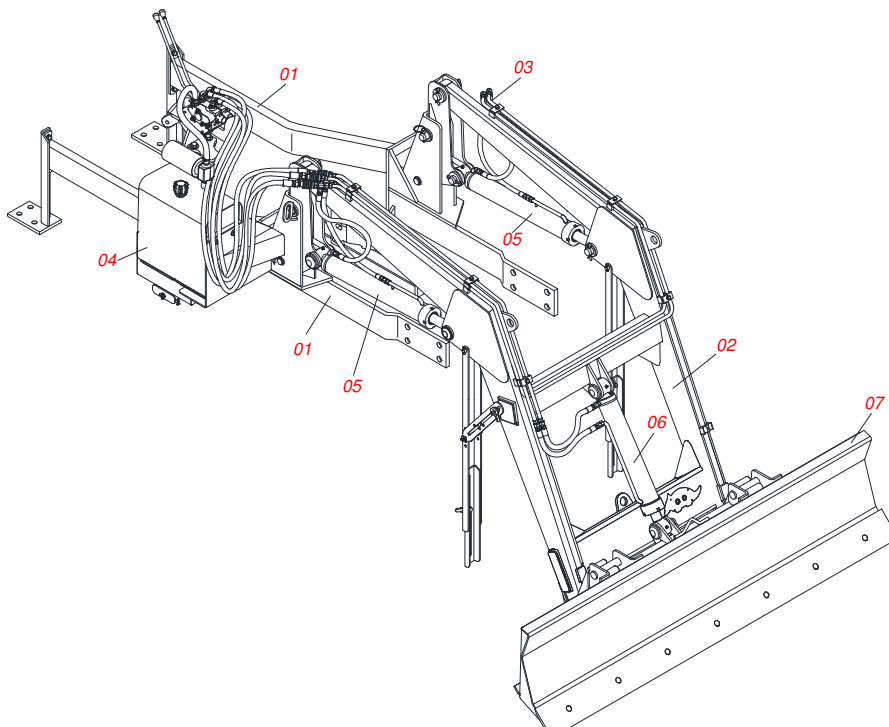
Code	Description
0106110287	PCA 600 FNH 5630A6630-4 SHTCD S-899

ATTENTION: **IMPORTANT**

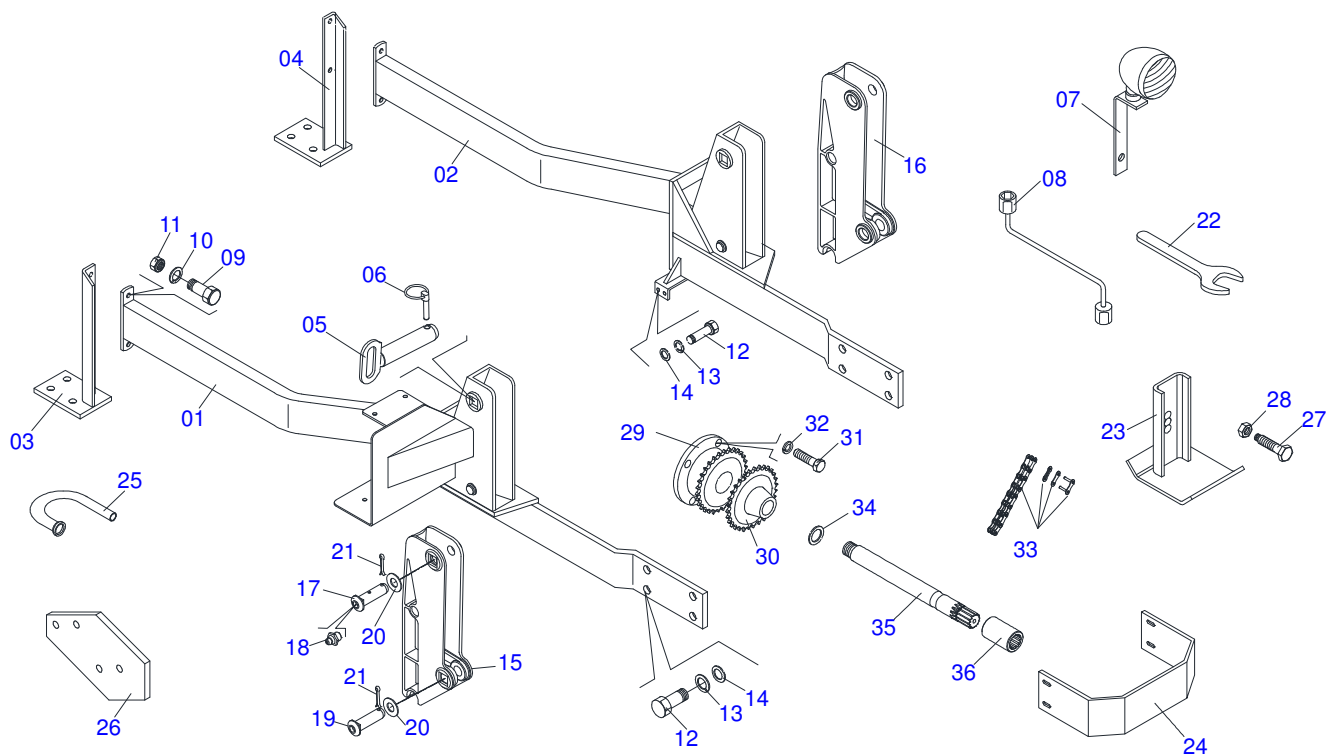
MARCHESAN S/A RESERVES THE RIGHT AT ANY TIME TO MAKE IMPROVEMENTS IN THE DESIGN, MATERIAL OR SPECIFICATIONS OF MACHINERY, EQUIPMENT OR PARTS WITHOUT THEREBY BECOMING LIABLE TO MAKE SIMILAR CHANGES IN MACHINERY, EQUIPMENT OR PARTS PREVIOUSLY SOLD.

INDEX

0106110287	PCA 600 FNH 5630A6630-4 SHTCD S-899	1
0909093874	FRAME ASSEMBLY PCA 600 NH BT SC PCA 600 FNH 5630A6630-4 SHT CD SL S899	2
0909092383	MOVEL SUPPORT SET PCA 600	3
0909092343	2200MM DOZER BLADE COMPLETE	4
0909093869	HYDRAULIC CIRCUIT SUPPORT MOVEL PCA 600	5
0909093875	HYDRAULIC CIRCUIT SHT NH PCA 600 CD	6
0501047575	OIL RESERVOIR ASSY	7
0501044573		8
0521050762	44,45 X 76,20 X 865 X 555 HYDRAULIC CYLINDER - PCA 600	9
0511057887	HYDRAULIC CYLINDER	10
0501053834	QUICK CONECTION (MALE) 1/2	11



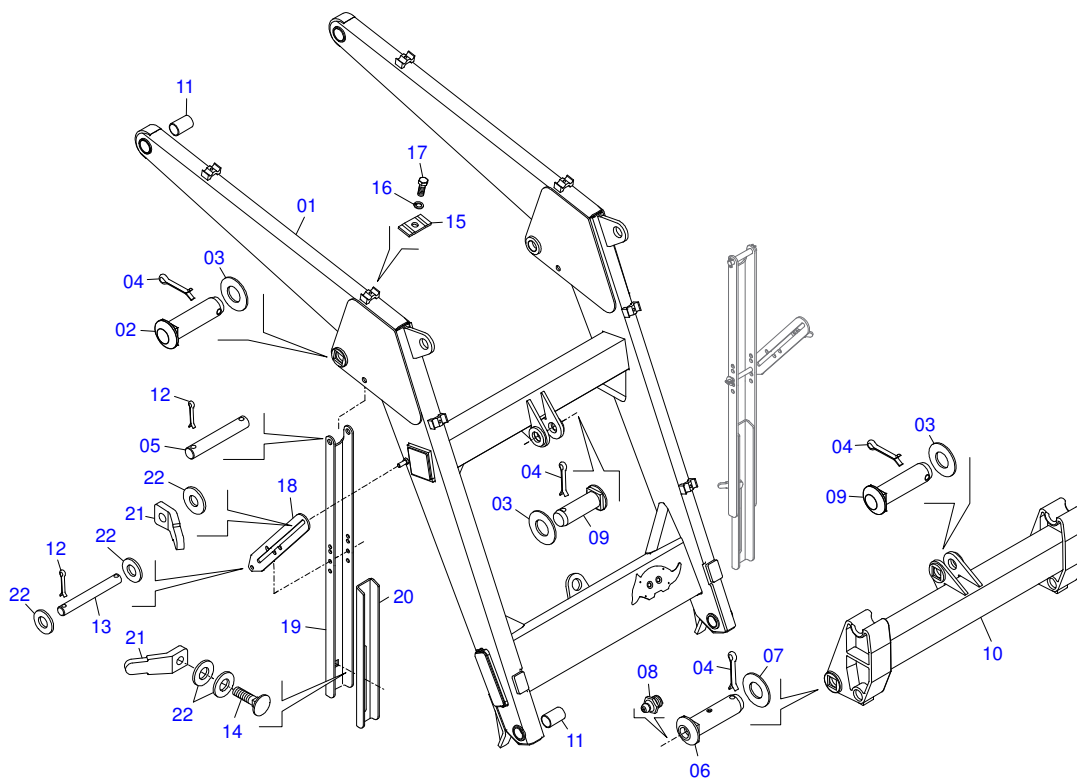
Item	Code	Description	QT
001	0909093874	FRAME ASSEMBLY PCA 600 NH BT SC PCA 600	01
002	0909092383	MOVEL SUPPORT SET PCA 600	01
003	0909093869	HYDRAULIC CIRCUIT SUPPORT MOVEL PCA 600	01
004	0909093875	HYDRAULIC CIRCUIT SHT NH PCA 600 CD	01
005	0521050762	44,45 X 76,20 X 865 X 555 HYDRAULIC CYLINDER -	02
006	0511057887	HYDRAULIC CYLINDER	01
007	0909092343	2200MM DOZER BLADE COMPLETE	01



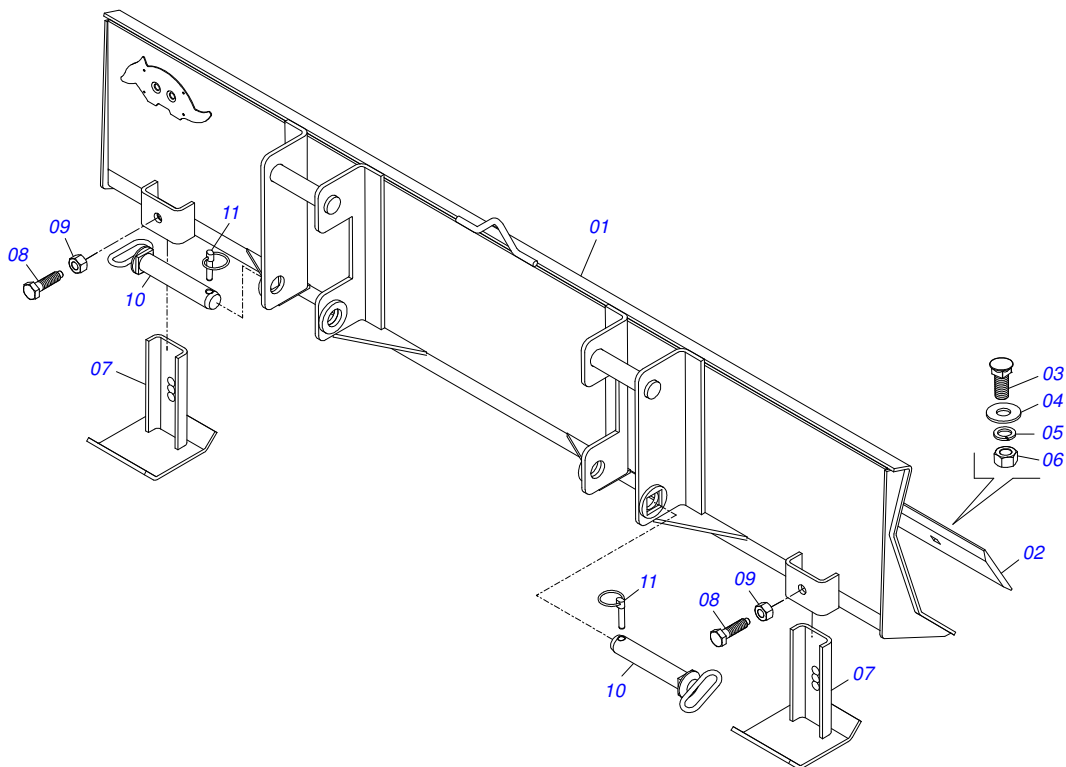
Item	Code	Description	QT
01	0511061059	RH FRAME PCA F 5630 A 6630-4 SHT	01
02	0511061061	LEFT FRAME PCA F 5630 A 6630-4 BT	01
03	0501068672	RH FRAME BRACKET	01
04	0501068673	LH FRAME BRACKET	01
05	0511064616	1.5" X 6.9" COUPLING SHAFT	02
06	0503030430	7/16 X 2" PIN LOCK	04
07	0511014494	REDLIGHT SUPPORT	02
08	0501068213	5/8" WRENCH DOUBLE	01
09	0501010100	5/8 UNC X 2 C S G.5 BOLT	04
10	0503010027	SPRING WASHER	04
11	0503010013	5/8" NUT	04
12	0501010098	HEX BOLT 3/4 UNC X 2 C S G.5 ZN	12
13	0503010023	SPRING WASHER	12
14	0501010322	FLAT WASHER	12
15	0502012382	RIGHT MOBILE TOWER	01
16	0502012381	LEFT MOBILE TOWER	01
17	0511019519	1.5" X 1.4" PIVOT SHAFT	02
18	0503010002	1800 GREASE FITTING	02
19	0521010904	1.5" X 1.4" PIVOT SHAFT	02
20	0511019685	FLAT WASHER	04
21	0503010534	3/8 X 2-1/2 COTTERPIN	04
22	0511010153	2-5/16" FIXED WRENCH	01
23	0511064780	SHOE SLIDE LIGHT STABILIZING	02
24	0521014437	SHT FROM PROTETION	01
25	0501068606	TANK OUTER TUBE	01
26	0511019662	BATTERY FIXER SUPPORT	01
27	0501018246	3/4" X 3" BOLT	02
28	0503010014	3/4" NUT	02
29	0503050061	GEAR BUSHING WHEEL FLANGE	01
30	0503050075	GEAR 16Z	01
31	0501010161	1/2" X 1.1/4" BOLT	04
32	0503010019	1/2" SPRING WASHER	04
33	0503010455	50-2 CHAIN X 15 LINK + MENDING	01



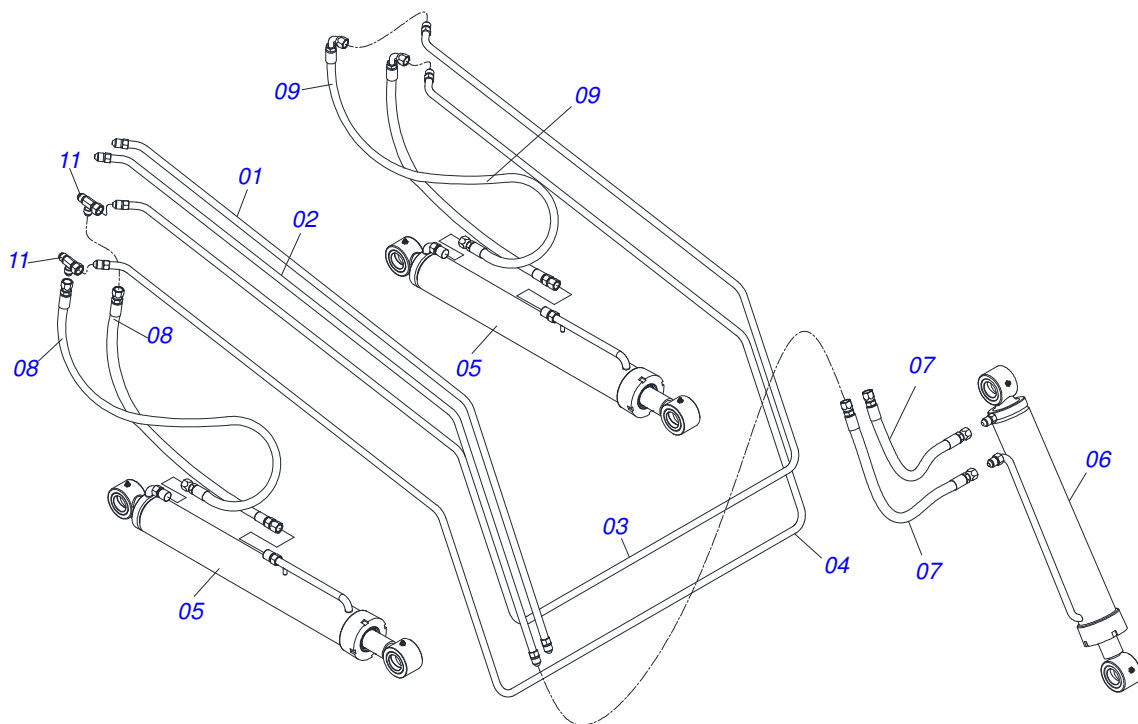
Item	Code	Description	QT
34	0501010890	FLANGE WASHER	01
35	0501057538		01
36	0503030838	1-1/8" X 2.4" SLEEVE	01



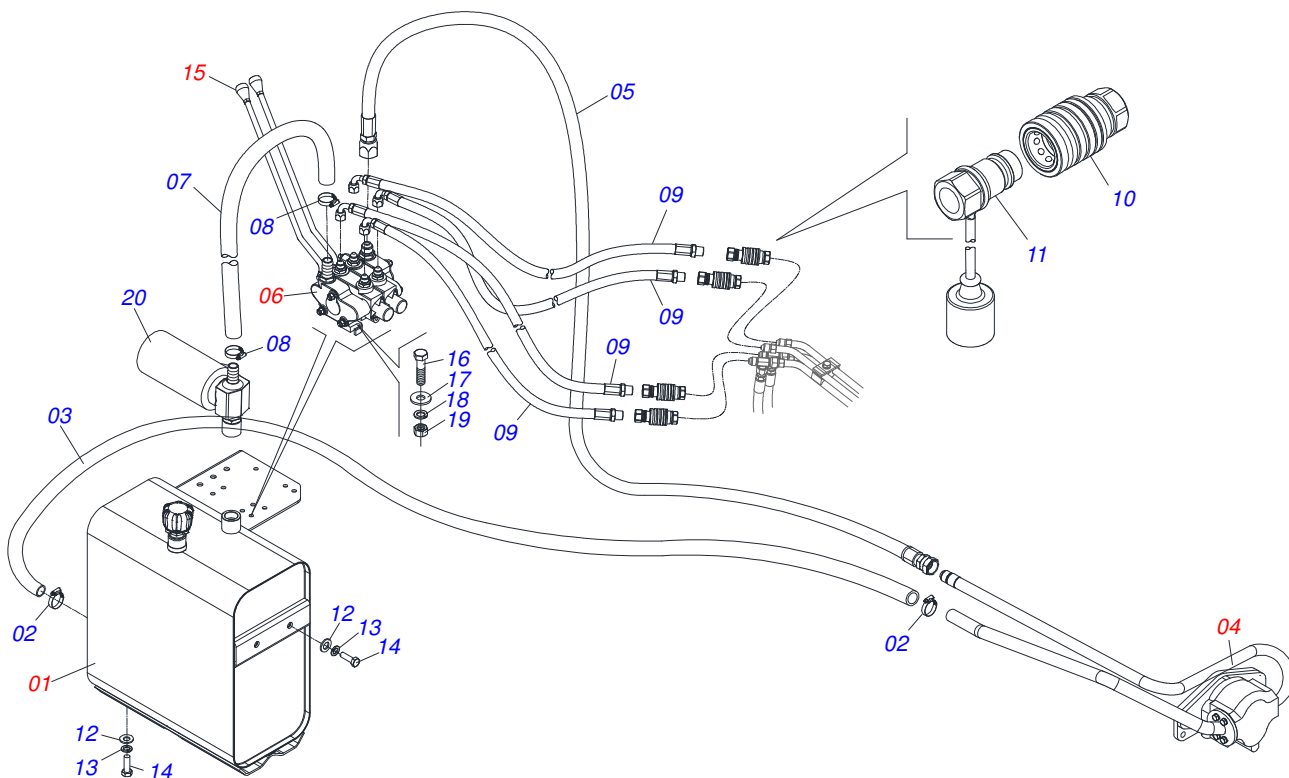
Item	Code	Description	QT
01	0501068663	MOBILE SUPPORT	01
02	0521010904	1.5" X 1.4" PIVOT SHAFT	02
03	0511019685	FLAT WASHER	04
04	0503010534	3/8 X 2-1/2 COTTERPIN	10
05	0511013598	3/4" X 4.7" COUPLING SHAFT	02
06	0511019519	1.5" X 1.4" PIVOT SHAFT	02
07	0501012916	FLAT WASHER 38,50 X 66 X 4,75 ZN	02
08	0503010002	1800 GREASE FITTING	04
09	0511019521	1.5" X 1.4" PIVOT SHAFT	02
10	0501068598	JOINT SUPPORT	01
11	0501110253	BUSHING 37,70 X 55 X 70 PCA	04
12	0503010071	3/16" X 1" COTTERPIN	08
13	0521012823	COUPLING SHAFT	02
14	0503014378	1/2" X 1-1/2" BOLT	02
15	0531011180	UPPER BODY CLIP	05
16	0503010180	7/16" SPRING WASHER	05
17	0503011102	PARAFUSO 7/16 UNC X 1.1/4 C S G.5	03
18	0511019634	CONTROL LOCK	02
19	0561016401	PLOUGH SUPPORT BODY	02
20	0561016619	COMPLEMENTON REST	02
21	0561016329	LATCH HOLDER REST PCA	04
22	0511017302	FLAT WASHER	10



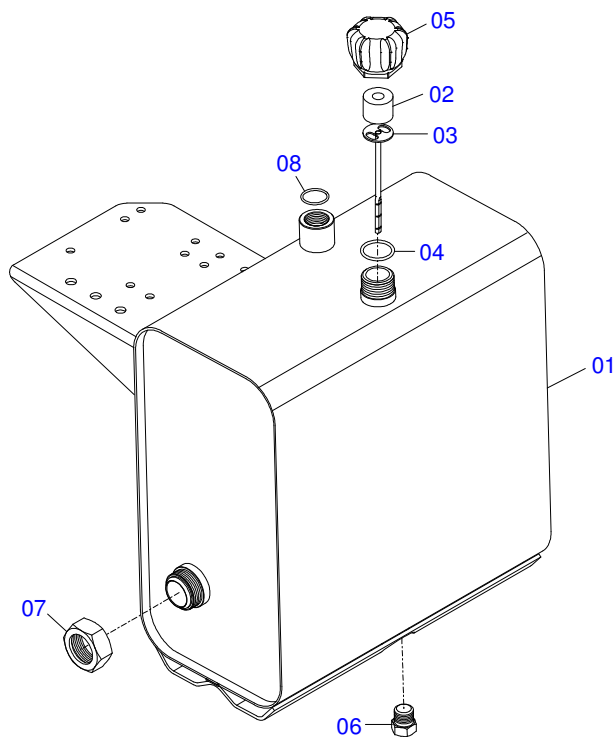
Item	Code	Description	QT
01	0511064165	BLADE FRONT	01
02	0531019518	SCRAPER 2220 X 6 X 1/2	01
03	0501812239	5/8 UNC X 1.3/4 - SPECIAL BOLT	07
04	0571810265	FLAT WASHER	07
05	0503011445	SPRING WASHER	07
06	0503810013	NUT 5/8 NC	07
07	0511064780	SHOE SLIDE LIGHT STABILIZING	02
08	0501018246	3/4" X 3" BOLT	02
09	0503010014	3/4" NUT	02
10	0521063680	HITCH PIN (185) SAB PCA800	02
11	0503030430	7/16 X 2" PIN LOCK	02



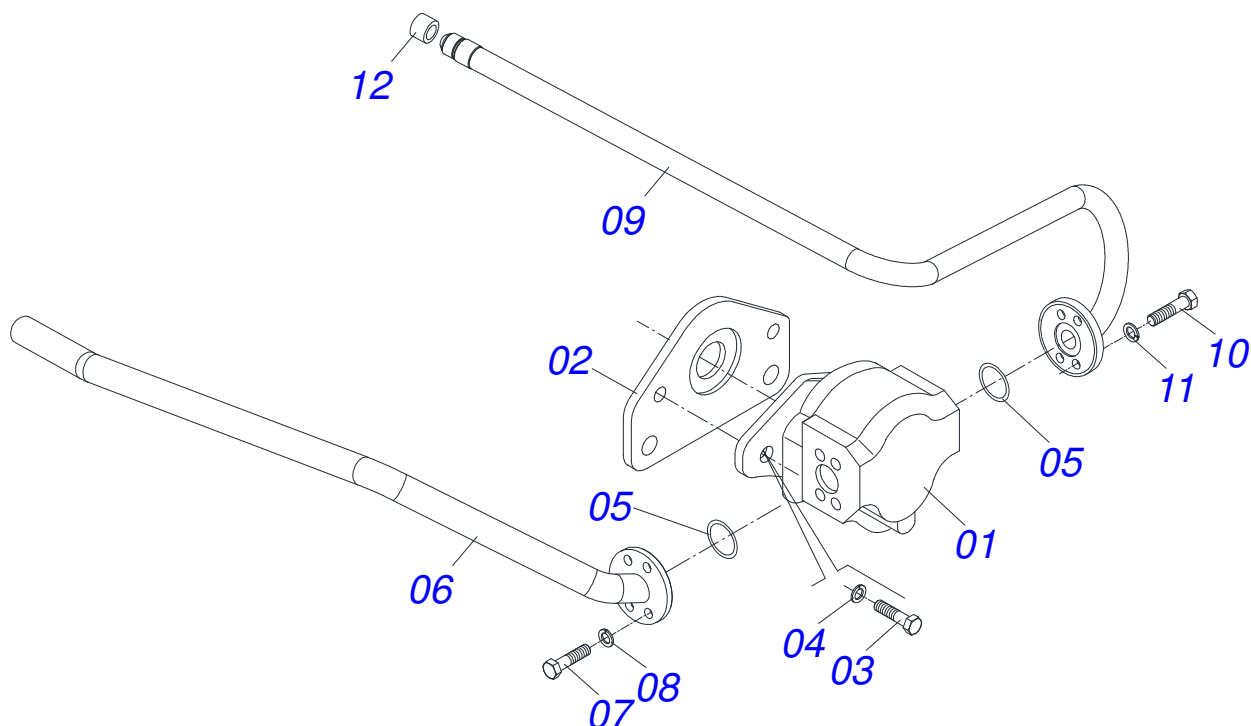
Item	Code	Description	QT
01	0501068615	OIL TUBE ASSY	01
02	0521062856	INTERNAL LOWER OIL DISTRIBUTOR	01
03	0501068621	INNER OIL TUBE	01
04	0501068622	OUTER OIL TUBE	01
05	0521050762	44,45 X 76,20 X 865 X 555 HYDRAULIC CYLINDER -	02
06	0511057887	HYDRAULIC CYLINDER	01
07	0501080635	3/8" X 19" TR-TR HOSE	02
08	0501080105	TR-TR HOSE ASSY	02
09	0501080413	3/8" X 27" TR-TC HOSE ASSY	02
10	0503011968	T ADAPTOR WITH GIRAT	02



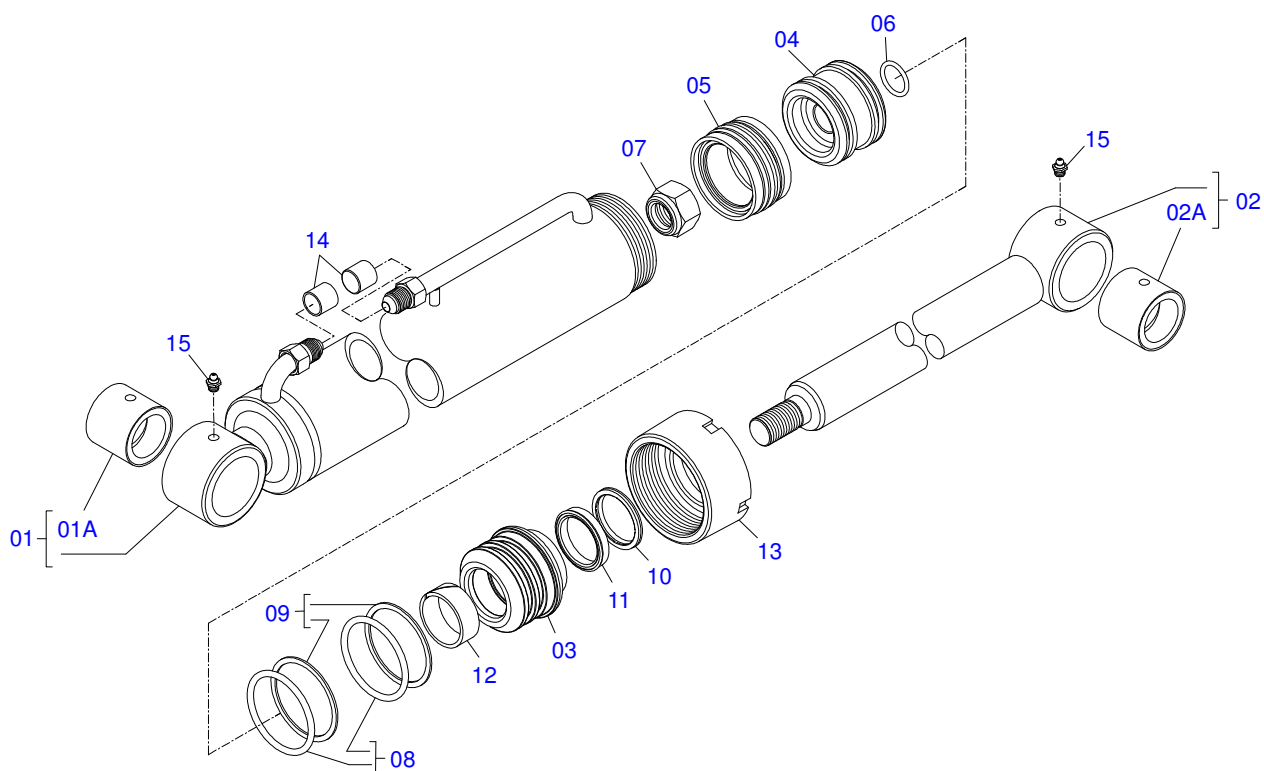
Item	Code	Description	QT
01	0501047575	OIL RESERVOIR ASSY	01
02	0503010243	CLAMP	02
03	0501010835	HOSE	01
04	0501044573		01
05	0501080258	TR-TC HOSE	01
06	0501059952	DOBLE COMMAND 1/2 HIDROV/DANFOSS ASSY	01
07	0501013822	1" X 25.6" AB-AB HOSE	01
08	0503010184	CLAMP	02
09	0501080883	TC-TM 3/8" X 59.06" HOSE ASSY	04
10	0501053835	FEMALE QUICK COUPLER	02
11	0501053834	QUICK CONECTION (MALE) 1/2	02
12	0511017302	FLAT WASHER	04
13	0503010019	1/2" SPRING WASHER	04
14	0503014007	1/2" X 1-1/4" BOLT	04
15	0501047446	CONTROL VALVE (P/COM 1/2 PCA)	02
16	0501010080	3/8" BOLT	03
17	0501010984	FLAT WASHER	03
18	0503010025	3/8 SPRING WASHER	03
19	0503010026	3/8" NUT	03
20	0501041108	RETURNING FILTER ASSY	01



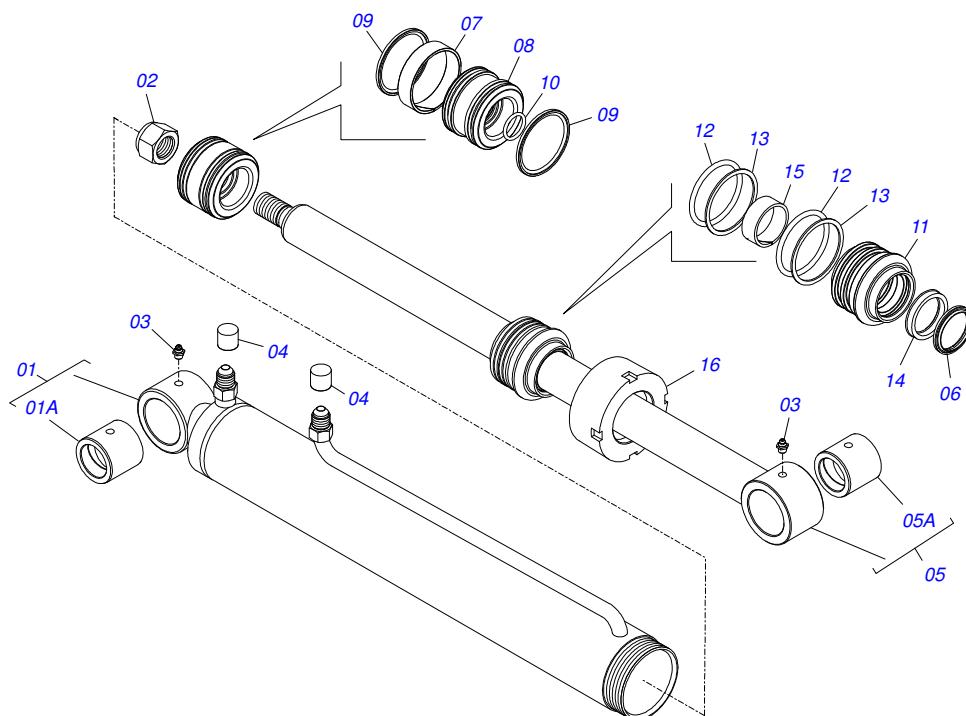
Item	Code	Description	QT
01	0501068685	OIL RESERVOIR	01
02	0503030044	FILTERING ELEMENT	01
03	0501060975	OIL GAGE	01
04	0503010185	2-221 N 3006-9B O'RING	01
05	0502020472	FRONTAL COVER	01
06	0503031604	1/2" BSP PLUG	01
07	0501016309	2" 1X 2.5/16" NUT	01
08	0503010046	2-216 N 3006-9B O'RING	01



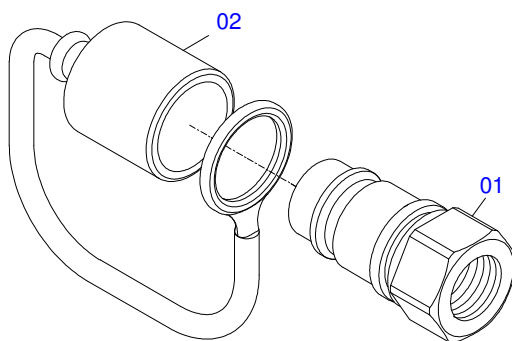
Item	Code	Description	QT
001	0503061770	PUMP WITH TUBE	01
002	0502020097	PUMP SUPPORT	01
003	0501010063	1/2" X 1-1/2" BOLT	02
004	0503010019	1/2" SPRING WASHER	02
005	0503010173	2-220 N 3006-9B O'RING	02
006	0501062490		01
007	0503010355	7/16" X 1" BOLT	04
008	0503010180	7/16" SPRING WASHER	04
009	0501062491		01
010	0503011087	3/8" X 1" BOLT	04
011	0503010025	3/8 SPRING WASHER	04
012	0503030388	PLUG N-005	01



Item	Code	Description	QT
01	0511071163	76,20 X 740 CYLINDER CASE - PCA 600	01
01A	0521010514	38,1 X 52,9 X 50 SLEEVE INTER	01
02	0521066424	AIR TURNBUCKLE	01
02A	0521010514	38,1 X 52,9 X 50 SLEEVE INTER	01
03	0581010301	RING SUPPORT	01
04	0581010304	PISTON	01
05	0503018136	ZW 007600260 AGEL RING	01
06	0503010042	2-214 N 3006-9B O-RING	01
07	0503010063	1" SELF-ALIGNING NUT	01
08	0503010343	2-334 N 3006-9B O-RING	02
09	0503011059	8-334 BACK-UP RING	02
10	0503010761	D-1750 SCRAPER RING	01
11	0503017937	GASKET	01
12	0503017938	RING GUIDE	01
13	0502011899	MOBILE COVER	01
14	0503030385	PLUG	02
15	0503010002	1800 GREASE FITTING	02



Item	Code	Description	QT
01	0511063212	3" X 23" CYLINDER CASE	01
01A	0521010514	38,1 X 52,9 X 50 SLEEVE INTER	01
02	0503010063	1" SELF-ALIGNING NUT	01
03	0503010002	1800 GREASE FITTING	02
04	0503030385	PLUG	02
05	0521066425	TURNBUCKLE - 44,45 X 605 PCA 600	01
05A	0501110275	BUSHING COUPLING 75 X 38,1 X 50	01
06	0503010761	D-1750 SCRAPER RING	01
07	0503018140	RING GUIDE	01
08	0581010304	PISTON	01
09	0503018138	RING BS	02
10	0503010042	2-214 N 3006-9B O-RING	01
11	0581010301	RING SUPPORT	01
12	0503010343	2-334 N 3006-9B O-RING	02
13	0503011059	8-334 BACK-UP RING	02
14	0503017937	GASKET	01
15	0503017938	RING GUIDE	01
16	0502011899	MOBILE COVER	01



Item	Code	Description	QT
01	0503011627	QUICK CONNECTION (MALE) AGR 1/2 NPT	01
02	0503011882	QUICK CONNECTION COVER	01



MARCHESAN IMPLEMENTOS E MÁQUINAS AGRÍCOLAS TATU S.A.

AV. Marchesan, 1979 - Post office box, 131 - CEP 15994-900 - Matão - SP - Brazil

Phone +55 16.3382-8282

(FAX Parts) + 55 16.3382. 8297 - (Export) + 55 16.3382.1003

e.mail: tatu@marchesan.com.br www.marchesan.com.br

Technical Publications: Elaboration

JOSÉ DOMINGOS GASPARI

Technical Publications: Revision

JOSÉ DOMINGOS GASPARI

Contact Catálogo:

E-mail = jgaspari@marchesan.com.br

**ORIGINAL PARTS
TATU**

