

PARTS CATALOG

OFFSET DISK HARROW

GAPM 12 (COUNTERWEIGHT BOX)

Code: 0501092185



Series: S-0706

Review: ABRIL/2018

**ORIGINAL PARTS
TATU**



PRODUCTS

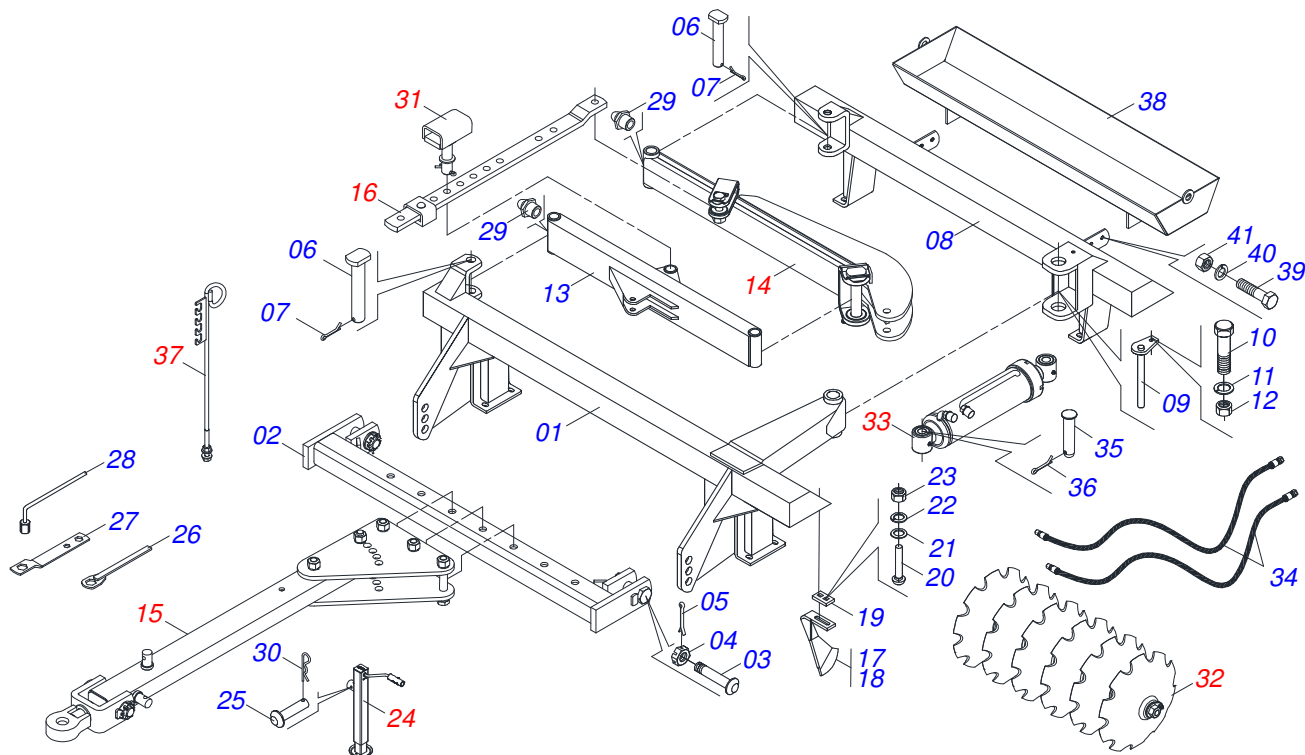
Code	Description
0102050133	GAPM 12X32X9,0 DM C/CX CONTR P S706

ATTENTION: **IMPORTANT**

MARCHESAN S/A RESERVES THE RIGHT AT ANY TIME TO MAKE IMPROVEMENTS IN THE DESIGN, MATERIAL OR SPECIFICATIONS OF MACHINERY, EQUIPMENT OR PARTS WITHOUT THEREBY BECOMING LIABLE TO MAKE SIMILAR CHANGES IN MACHINERY, EQUIPMENT OR PARTS PREVIOUSLY SOLD.

INDEX

0909093911	GAPM 12	1
0501041219	REAR STABILIZER BAR ASSY	2
0501041215	DRAWBAR ASSY	3
0501041859	ADJUSTMENT BAR ASSY	4
0501041199	ADJUSTMENT BODY ASSY	5
0511059185	HYDRAULIC CYLINDER	6
0501040257	3/4 X 1200 HOSE HOLDER A	7
0909093922	GANG DISC 12	8
0501046926	330MM X 2-1/8" RD. OIL BATH BEARING	9



Item	Code	Description	QT
01	0501060413	FRONT FRAME	01
02	0501060315	57.5" OFFSET BAR	01
03	0501016416	1-1/2" X 5.4" BOLT	02
04	0501011301	1.1/2 UNC 6FPP 2.5/16 NUT	08
05	0503010010	1/4" X 2.1/2" COTTERPIN	10
06	0521010644	1.5" X 8.4" COUPLING SHAFT	03
07	0503010534	3/8 X 2-1/2" COTTERPIN	03
08	0511067949	REAR FRAME	01
09	0501062185	2.5" X 13.6" COUPLING SHAFT	01
10	0501010276	1" X 3" BOLT	01
11	0503010012	1" SPRING WASHER	02
12	0503014018	1" NUT	02
13	0501060428	FRONT STABILIZER BAR	01
14	0501041219	REAR STABILIZER BAR ASSY	01
15	0501041215	DRAWBAR ASSY	01
16	0501041859	ADJUSTMENT BAR ASSY	01
17	0501060423	FRONT SCRAPER	06
18	0501060424	REAR SCRAPER	06
19	0501010299	SCRAPER LOCK	12
20	0503010233	5/8" X 2-1/2" BOLT	24
21	0501012140	FLAT WASHER	24
22	0503010027	SPRING WASHER	24
23	0503010013	5/8" NUT	24
24	0503062157	HEADER JACK	01
25	0521010549	COUPLING SHAFT	01
26	0501061044	2-1/8" AND 2-1/2" CABLE FLAT WRENCH	02
27	0511018451	5/8" X 3/4" X 1" UNIVERSAL	01
28	0501061045	1" WRENCH CYLINDRICAL	01
29	0503010002	1800 GREASE FITTING	01
30	0503030168	HAIR PIN	02
31	0501041199	ADJUSTMENT BODY ASSY	01
32	0909093922	GANG DISC 12	01
33	0511059185	HYDRAULIC CYLINDER	01

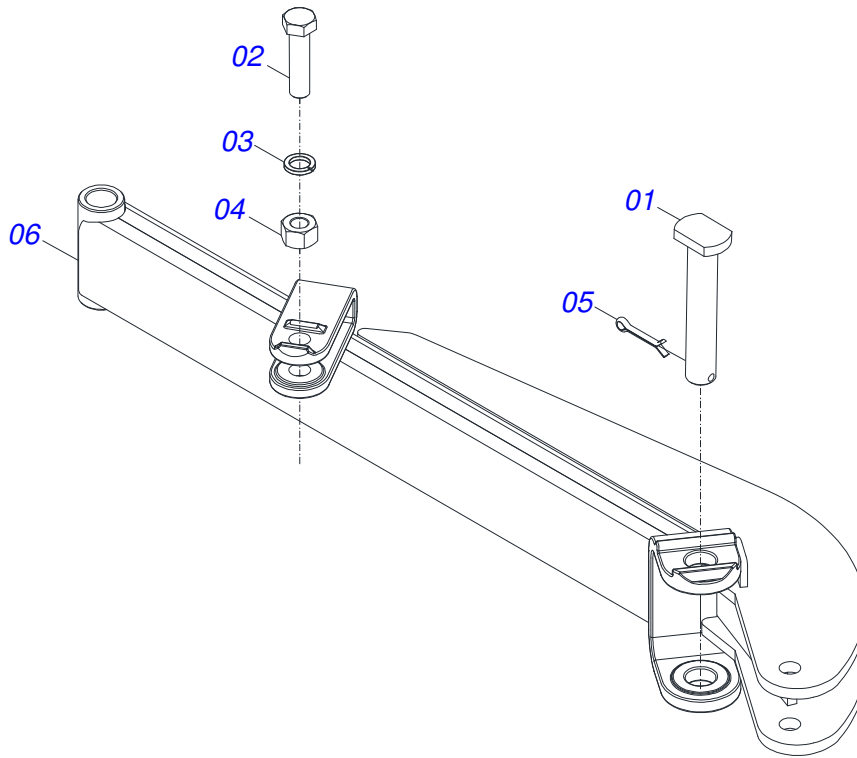


GAPM 12 (COUNTERWEIGHT BOX)

GAPM 12

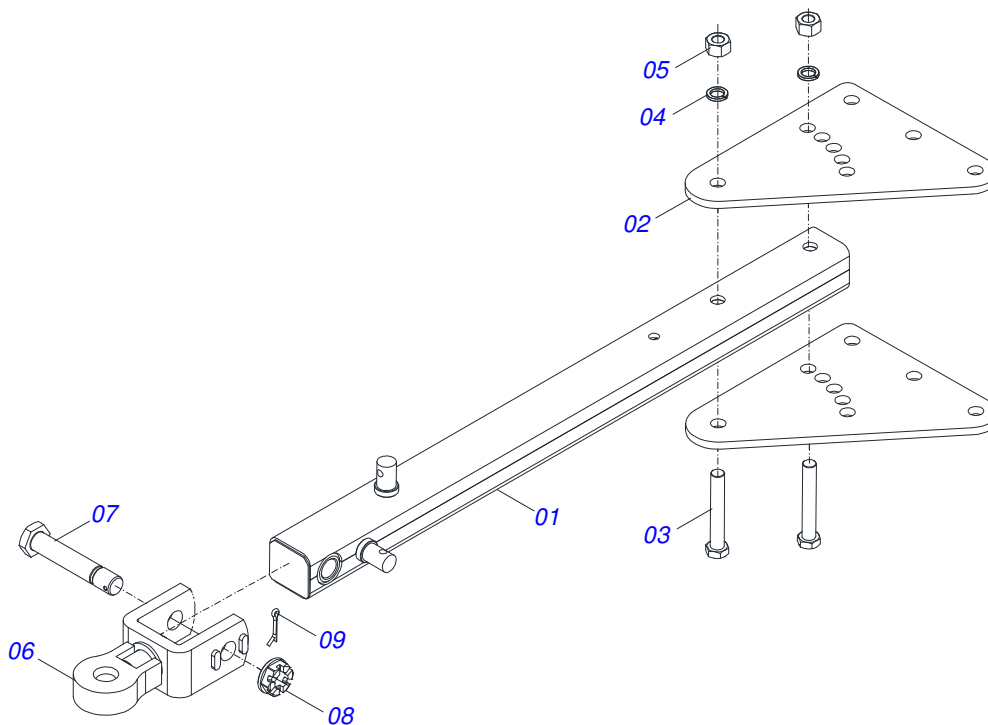
0909093911

Item	Code	Description	QT
34	0501080001	1/2" X 177" TR-TM HOSE ASSY	02
35	0521010581	0.9" X 4.9" COUPLING SHAFT	02
36	0503010571	1/4" X 1.1/2 COTTERPIN	02
37	0501040257	3/4 X 1200 HOSE HOLDER A	01
38	0511067948	COUNTERWEIGHT BOX	01
39	0501010125	3/4" X 2-1/2" BOLT	04
40	0503010023	SPRING WASHER	04
41	0503010014	3/4" NUT	04

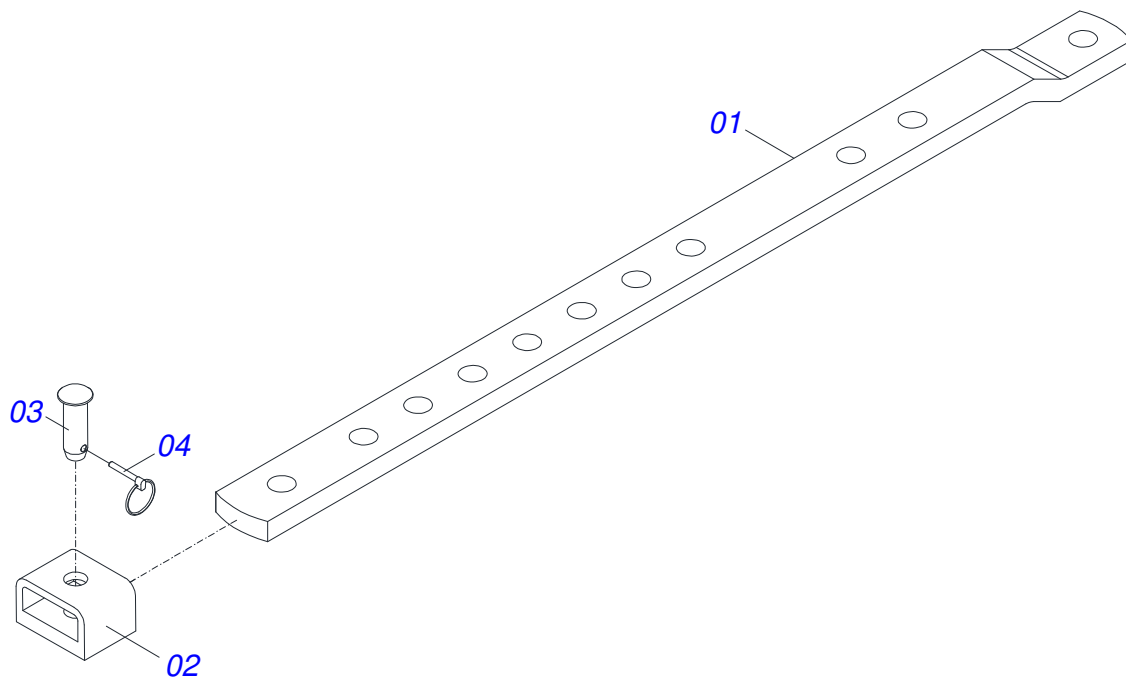


Item	Code	Description	QT
001	0521010644	1.5" X 8.4" COUPLING SHAFT	01
002	0503011432	1" X 4" BOLT	01
003	0503011438	SPRING WASHER	01
004	0501010059	1.5/8 NUT	01
005	0503010534	3/8 X 2-1/2 COTTERPIN	01
006	0501060433	REAR STABILIZER BAR	01

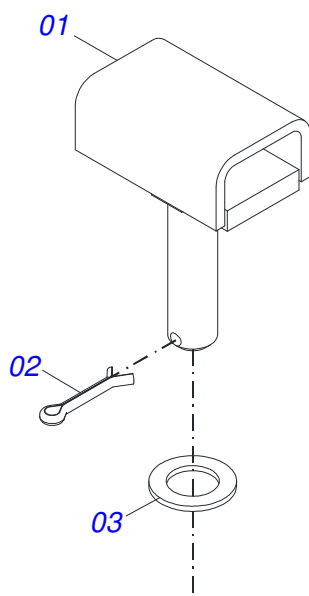
DRAWBAR ASSY



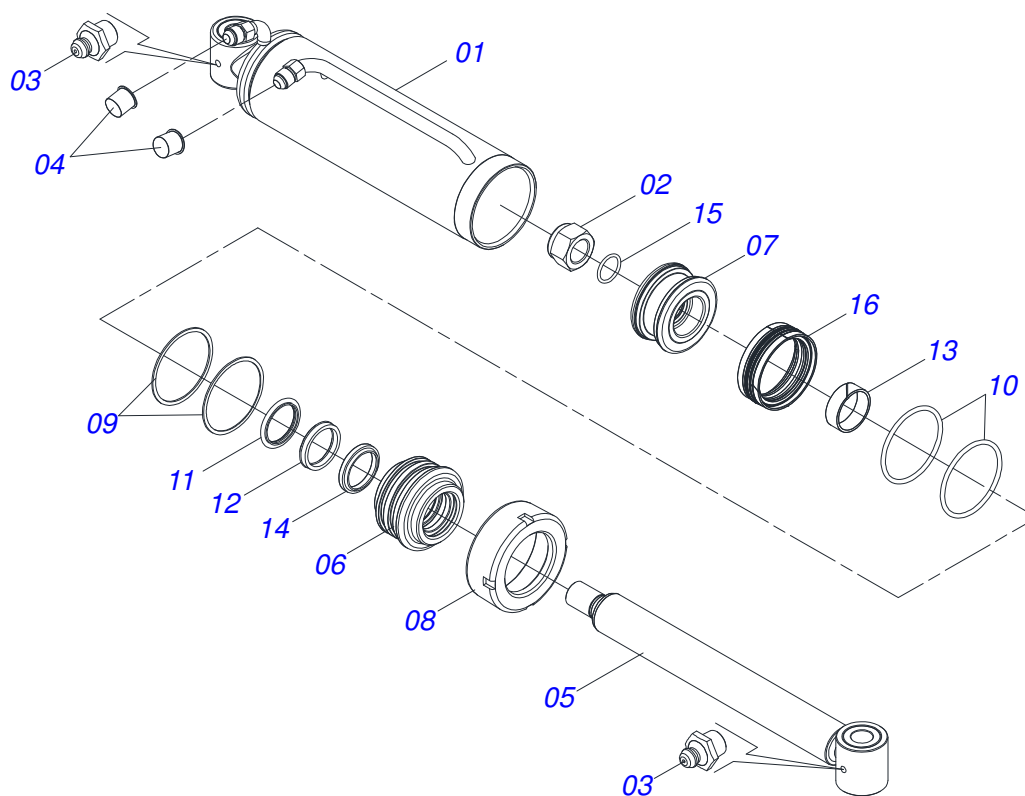
Item	Code	Description	QT
001	0501066715	DRAWBAR ASSY	01
002	0511013000	UPPER /LOWER PLATE	02
003	0501010060	1" X 6-1/2" BOLT	05
004	0503011438	SPRING WASHER	05
005	0501010059	1.5/8 NUT	05
006	0501062869	TRACTOR HITCH	01
007	0501017291	1-1/2" X 8.1" BOLT	01
008	0501011301	1.1/2 UNC 6FPP 2.5/16 NUT	01
009	0503010010	1/4" X 2.1/2" COTTERPIN	01



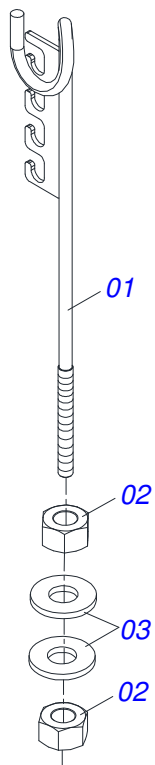
Item	Code	Description	QT
001	0501013208	ADJUSTMENT BAR	01
002	0501060434	BEATER BOX	01
003	0521010572	0.9" X 2.9" COUPLING SHAFT	01
004	0503030085	LOCK PIN	01



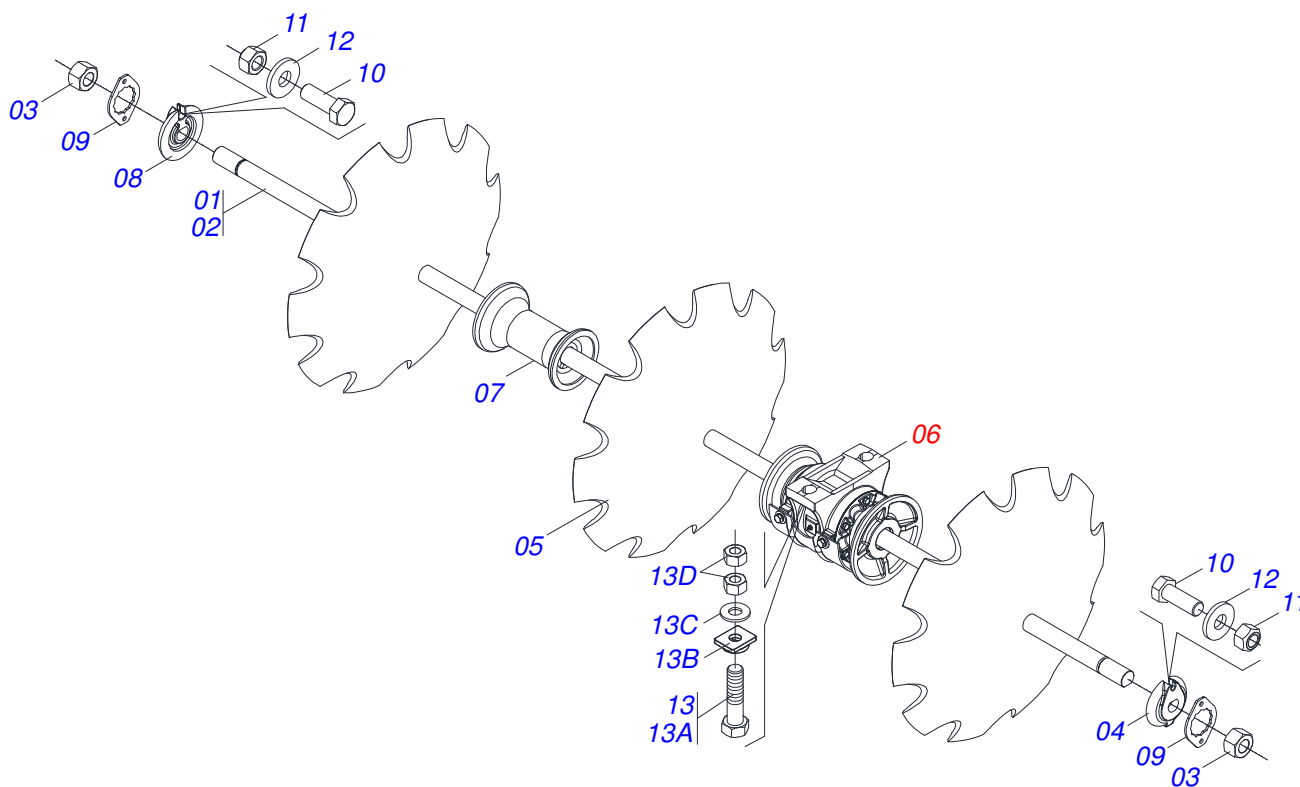
Item	Code	Description	QT
01	0501063206	ADJUSTMENT BODY	01
02	0503010534	3/8 X 2-1/2 COTTERPIN	01
03	0501012916	FLAT WASHER 38,50 X 66 X 4,75 ZN	01



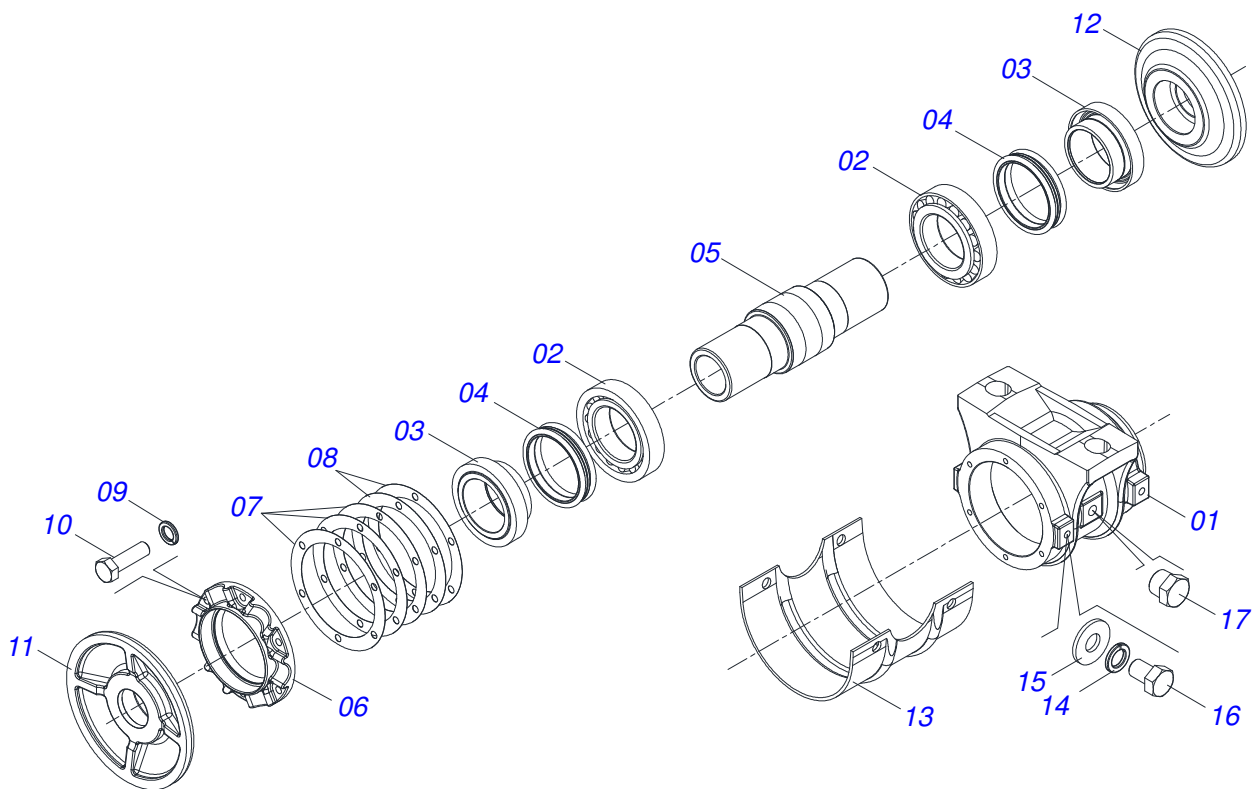
Item	Code	Description	QT
001	0501060462	4" X 10.3" CYLINDER CASE	01
002	0503010817	1-1/4" SELF-ADJUSTING NUT	01
003	0503010002	1800 GREASE FITTING	02
004	0503030387	PLUG	02
005	0521066346	HYDRAULIC CYLINDER TURNBUCKLE	01
006	0502012821	50,80 X 101,60 RING SUPPORT	01
007	0502012820	50,80 X 101,60 PISTON	01
008	0502012822	101,60 MOBILE COVER	01
009	0503011061	8-342 BACK-UP RING	02
010	0503010338	2-342 N 3006-9B O'RING	02
011	0503018024	RING BS	01
012	0503018026	1870-2000-375 B GASKET	01
013	0503018025	RING GUIDE	01
014	0503010039	D-2000 SCRAPER RING	01
015	0503018029	2-217 O'RING	01
016	0503015633	SELEMASTER SEALING	01



Item	Code	Description	QT
01	0511067334	HOSE SOPPORT ASSY	01
02	0503010014	3/4" NUT	02
03	0501010322	FLAT WASHER	02



Item	Code	Description	QT
01	0511042123	2-1/8" X 76" AXLE WITH NUTS	02
02	0501013759	2-1/8" X 76" AXLE	02
03	0502040063	2.1/8" X 54 99 NUT	04
04	0502010594	2-1/8" EXTERNAL AXLE WASHER	02
05	0602044001	32" X 0.3" NOTCHED DISC BLADE	12
06	0501046926	330MM X 2-1/8" RD. OIL BATH BEARING	02
07	0502010643	13" 2-1/8" SPACER	06
08	0502010595	2-1/8" INNER AXLE WASHER	02
09	0541010368	NUT LOCK	04
10	0503010233	5/8" X 2-1/2" BOLT	08
11	0503010013	5/8" NUT	08
12	0511017302	FLAT WASHER	08
13	0501042139	1" X 4.3" ASSY BOLT	08
13A	0501011547	1" X 4-1/2" BOLT	08
13B	0502012861	1" SQUARE WASHER	08
13C	0541010210	FLAT WASHER	08
13D	0501010059	1.5/8 NUT	16



Item	Code	Description	QT
001	0502010742	HOUSING DM	01
002	0503010117	32216 ROLLER BEARING	02
003	0502040123	SEAL RETAINER	02
004	0503030028	JB-257 SEAL	02
005	0502040034	BEARING AXLE	01
006	0502010645	HOUSING CAP DM	01
007	0503030536	7.1" X 5.5" X 0.01" JOINT	03
008	0503030686	7.1" X 5.5" X 0.004" JOINT	02
009	0503011443	SPRING WASHER	06
010	0503010751	C3/8" X 1.1/4" HEX BOLT G.5	06
011	0502040260	OUTER FLANGE	01
012	0502040261	INNER FLANGE	01
013	0511013169	PROTECTION COVER BEARING	01
014	0503010019	1/2" SPRING WASHER	04
015	0511017302	FLAT WASHER	04
016	0503011401	1/2" X 3/4" BOLT	04
017	0503010856	OIL PLUG	02



MARCHESAN IMPLEMENTOS E MÁQUINAS AGRÍCOLAS TATU S.A.

AV. Marchesan, 1979 - Post office box, 131 - CEP 15994-900 - Matão - SP - Brazil

Phone +55 16.3382-8282

(FAX Parts) + 55 16.3382. 8297 - (Export) + 55 16.3382.1003

e.mail: tatu@marchesan.com.br www.marchesan.com.br

Technical Publications: Elaboration

MARINA PEREZ NIZA

Technical Publications: Revision

MARINA PEREZ NIZA

Contact Catálogo:

E-mail = jgaspari@marchesan.com.br

**ORIGINAL PARTS
TATU**

