

OFFSET DISK HARROW

GAPCR 360 PC - 12/14/16/18D

Code: 0501092184
Series: S-0611
Revision: 00
Date Revision: FEVEREIRO/2023

PARTS CATALOGUE



MARCHESAN



PRODUCTS

Code	Description
0102060214	GAPCR 360 PC 12 X 32 X 9,0 S-0611
0102060215	GAPCR 360 PC 12 X 34 X 9,0 S-0611
0102060210	GAPCR 360 PC 14X32X9 (400/60)S-0611
0102060150	GAPCR 360 PC 14X34X9 (400/60)S-0611
0102060211	GAPCR 360 PC 16X32X9,0(400/60) S611
0102060154	GAPCR 360 PC 16X34X9,0(400/60) S611
0102060212	GAPCR 360 PC 18X32X9,0(400/60) S611
0102060155	GAPCR 360 PC 18X34X9,0(400/60) S611

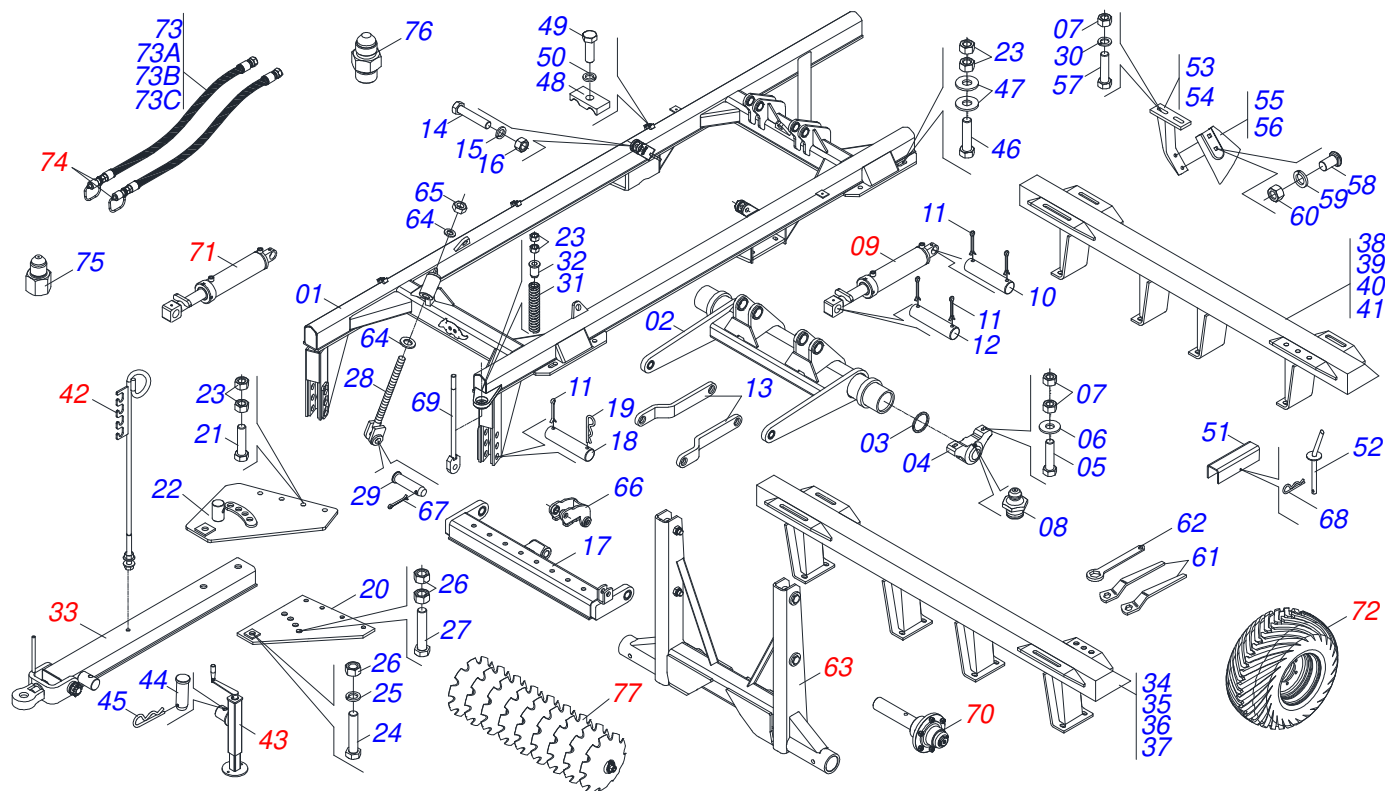
ATTENTION: IMPORTANT

Marchesan S.A. reserves the right to improve and/or modify the technical features of its products, without obligation to do the same with those products already sold and without prior knowledge of the dealer or the customer. The photos are only illustrative.



INDEX

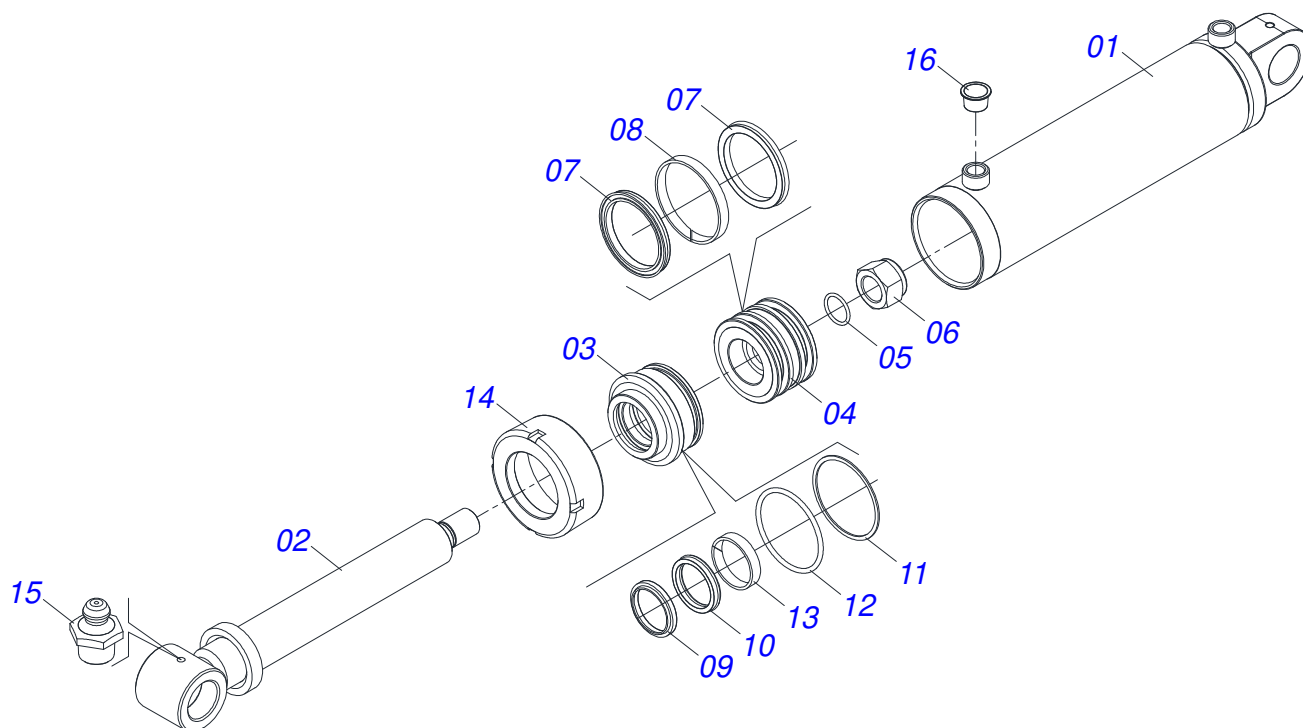
0909093923	FRAME 12/14/16/18	1
0531041388	53,98 X 101,6 X 630 X 300 HYDRAULIC CYLINDER	2
0511050170	HARNES ASSY	3
0501040257	3/4 X 1200 HOSE HOLDER A	4
0511048088	DRAWBAR JACK	5
0521045051	WHEELS ASSY	6
0501055850	CARRYNG WHEEL HUB ASSEMBLY ASSY	7
0531041389	101,6 X 53,98 X 520 X 200 HYDRAULIC CYLINDER	8
0503061868	400/60 WHEEL WITH TIRE	9
0909093924	ASSY GANG DISC	10
0501048557	BEARING OIL	11



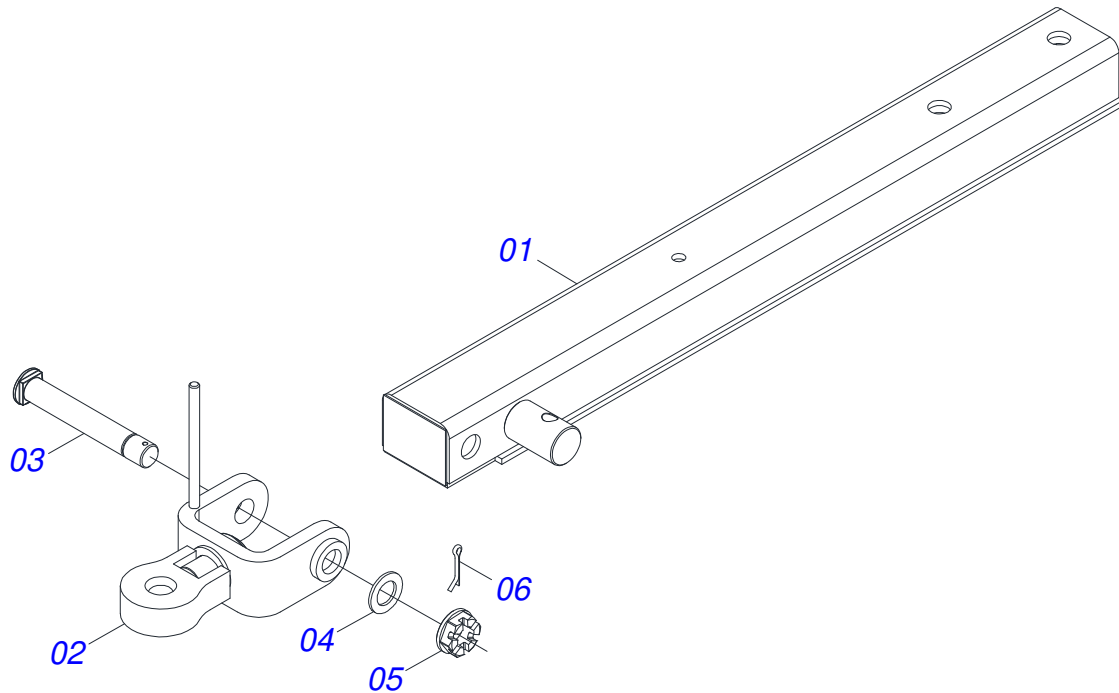
Item	Code	Description	See page	12	14	16	18
01	0521064431	FRAME		01	01	01	01
02	0511068627	WHEEL AXLE		01	01	01	01
03	0503012223	FELT RING		02	02	02	02
04	0502011583	BEARING AXLE		02	02	02	02
05	0503010901	3/4UNC 3.1/2 BOLT		04	04	04	04
06	0521013710	WASHER SEMIMAN		04	04	04	04
07	0503012183	SNC 3/4" ZIN 1K03097 NUT		33	37	41	45
08	0503010002	1800 GREASE FITTING		02	02	02	02
09	0531041388	53,98 X 101,6 X 630 X 300 HYDRAULIC CYLINDER	2	02	02	02	02
10	0551015334	PIN		01	01	01	01
11	0503010010	1/4" X 2.1/2" COTTERPIN		06	06	06	06
12	0521013706	HEADLESS PIN		01	01	01	01
13	0511063681	ARM		02	02	02	02
14	0503011432	BOLT		03	03	03	03
15	0503010012	1" SPRING WASHER		03	03	03	03
16	0503012182	1" NUT		03	03	03	03
17	0511068631	DRAWBAR ASSY		01	01	01	01
18	0591019956	44,45 X 168 HEADLESS PIN		02	02	02	02
19	0503031479	STAPLE		02	02	02	02
20	0521061881	LOWER HITCH PLATE		01	01	01	01
21	0501010219	1" X 7-1/2" BOLT		04	04	04	04
22	0511068632	TOP HITCH PLATE		01	01	01	01
23	0503012182	1" NUT		26	26	26	26
24	0501810085	BOLT		01	01	01	01
25	0503010070	SPRING WASHER		01	01	01	01
26	0503012181	1.1/4" NUT		03	03	03	03
27	0501810085	BOLT		01	01	01	01
28	0511068629	PISTON TIME		01	01	01	01
29	0551015331	PIN		01	01	01	01
30	0503010023	3/4" SPRING WASHER		25	29	33	37
31	0503031341	2.7 X 8 X 0.5 COMPRESSION SPRING		01	01	01	01



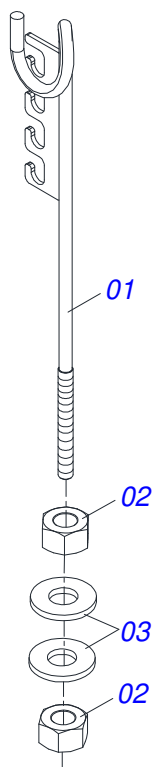
Item	Code	Description	See page	12	14	16	18
32	0502020392	SPRING SUPPORT		01	01	01	01
33	0511050170	HARNES ASSY	3	01	01	01	01
34	0511060517	FRONT GANG CARRIER ASSY - 12		01	00	00	00
35	0511060133	FRONT GANG CARRIER ASSY - 14		00	01	00	00
36	0511060347	FRONT GANG CARRIER ASSY - 16		00	00	01	00
37	0511062341	FRONT GANG CARRIER ASSY - 18		00	00	00	01
38	0511060518	REAR GANG CARRIER ASSY - 12		01	00	00	00
39	0511060134	REAR GANG CARRIER ASSY - 14		00	01	00	00
40	0511060348	REAR GANG CARRIER ASSY - 16		00	00	01	00
41	0511062342	REAR GANG CARRIER ASSY - 18		00	00	00	01
42	0501040257	3/4 X 1200 HOSE HOLDER A	4	01	01	01	01
43	0511048088	DRAWBAR JACK	5	01	01	01	01
44	0561014251	COUPLING SHAFT		01	01	01	01
45	0503030012	HITCH PIN CLIP		01	01	01	01
46	0503011432	BOLT		08	08	08	08
47	0521015523	BOOST		16	16	16	16
48	0502012702	BODY SUPPORT CLAMP		03	03	03	03
49	0503012555	SCREW 7/16 UNC X 2 CS RT G.7 ZN		03	03	03	03
50	0503010180	7/16" SPRING WASHER		03	03	03	03
51	0591019958	LOCK FOR TRANSPORTATION		03	03	03	03
52	0511060137	ASSEMBLY LOCK PIN		01	01	01	01
53	0511060138	FRONT CLEANER SUPPORT		06	07	08	09
54	0511060139	REAR CLEANER SUPPORT		06	07	08	09
55	0521013678	FRONT CLEANER		06	07	08	09
56	0521013679	REAR CLEANER		06	07	08	09
57	0503012180	FRENCH 3/4" X 2 BOLT		24	28	32	36
58	0503012195	5/8" NUT		24	28	32	36
59	0503010027	5/8 SPRING WASHER		24	28	32	36
60	0503010013	5/8 NUT		24	28	32	36
61	0501011431	1-3/4" GANG BOLT WRENCH		02	02	02	02
62	0531013656	WRENCH		01	01	01	01
63	0521045051	WHEELS ASSY	6	01	01	01	01
64	0521014368	FLAT WASHER		02	02	02	02
65	0501810333	1.3/4 NUT		01	01	01	01
66	0521062108	HEADING ARTICULATION		01	01	01	01
67	0503010571	1/4" X 1.1/2 COTTERPIN		02	02	02	02
68	0503031464	TM 211 X 3,0 STAPLE		02	02	02	02
69	0501066240	SPRING ROD		01	01	01	01
70	0501055850	CARRYNG WHEEL HUB ASSEMBLY ASSY	7	02	02	02	02
71	0531041389	101,6 X 53,98 X 520 X 200 HYDRAULIC CYLINDER	8	01	01	01	01
72	0503061868	400/60 WHEEL WITH TIRE	9	02	02	02	02
73	0501058070	HOSE KIT		01	01	01	01
73A	0501080522	3/8 X 700 TC-TC HOSE ASSY		02	02	02	02
73B	0501080390	3/8" X 150" TR-TC HOSE ASSY		02	02	02	02
73C	0501080510	HOSE 3/8 X 3500 TR-TM		02	02	02	02
74	0501053834	MALE QUICK COUPLER		02	02	02	02
75	0503011968	3/4" 8R6X-S T ADAPTER WITH SWIVEL NUT		04	04	04	04
76	0551012528	ADAPTER (GND)		06	06	06	06
77	0909093924	ASSY GANG DISC	10	01	01	01	01



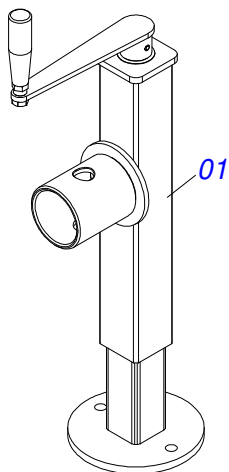
Item	Code	Description	See page	QT
01	0511062252	101,6 X 418 CYLINDER CASE		01
02	0531062977	HYDRAULIC CYLINDER TURNBUCKLE		01
03	0502011250	RING OF SUPPORT		01
04	0502011969	53,98 X 101,60 PISTON		01
05	0503010345	2-218 N 3006-9B O'RING		01
06	0503010817	1.1/4" SELF LOCKING NUT		01
07	0503010043	PACKING 3750-3250		02
08	0503010994	W2-4000-500 PK RING G.E		01
09	0503010319	D-2125 SCRAPER		01
10	0503010314	GASKET		01
11	0503011061	8-342 BACK-UP RING		01
12	0503010338	2-342 N 3006-9B O'RING		01
13	0503010973	W2-2500-500 PK O'RING G.E		01
14	0502010017	4" HEAD		01
15	0503010002	1800 GREASE FITTING		02
16	0503030384	CON PLUG N-001		02



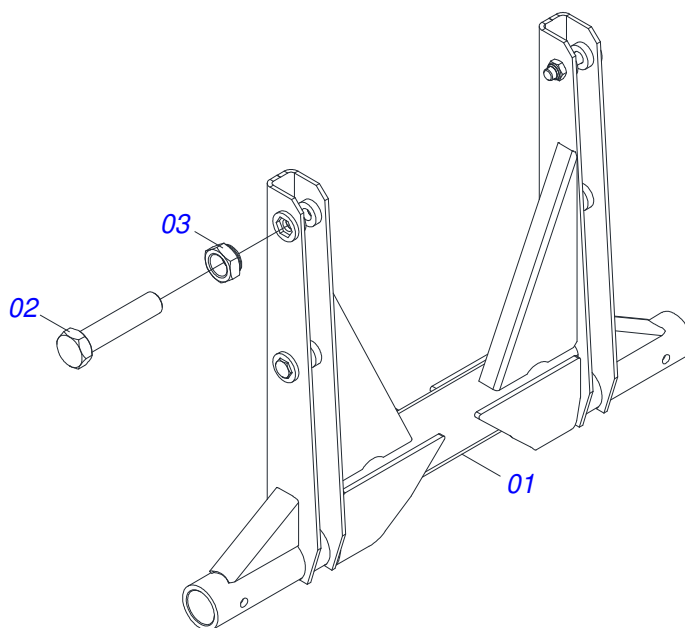
Item	Code	Description	See page	QT
01	0511060119	HARNESS		01
02	0521062956	HITCH		01
03	0561018588	COUPLING SHAFT		01
04	0501011301	1.1/2 UNC 6FPP 2.5/16 NUT		01
05	0501012916	FLAT WASHER 40 X 66 X 4,75 ZN		01
06	0503010010	1/4" X 2.1/2" COTTERPIN		01



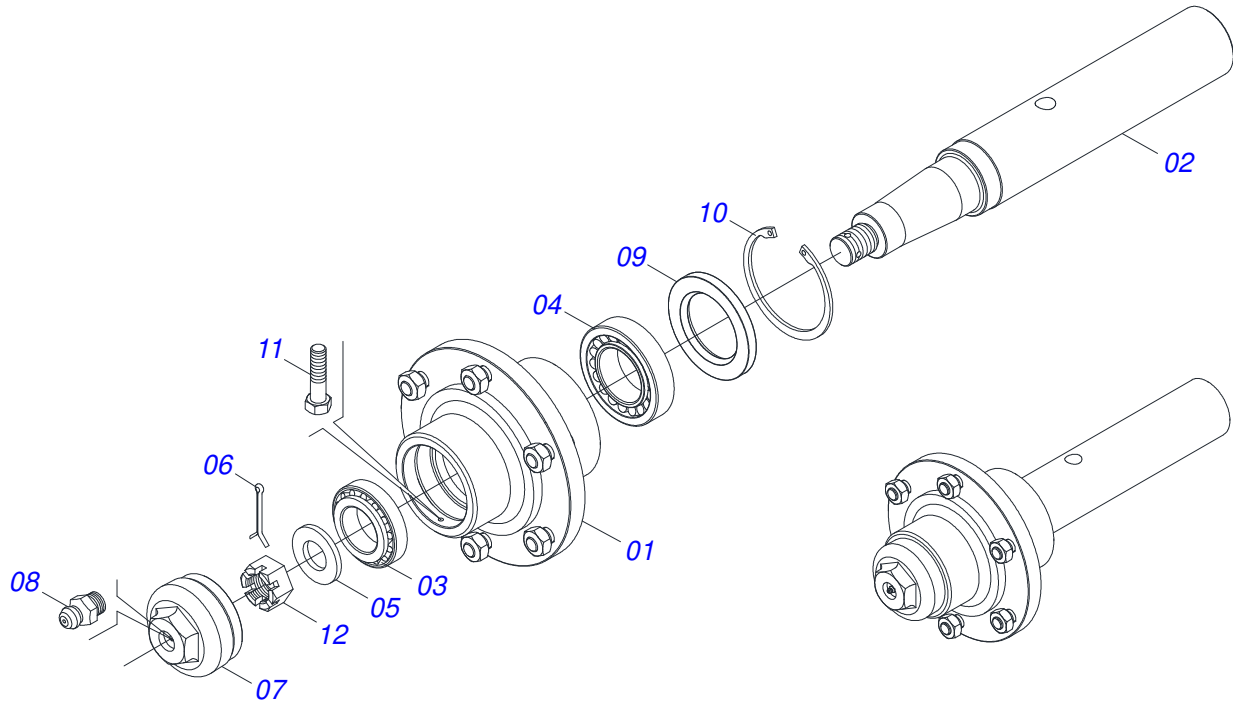
Item	Code	Description	See page	QT
01	0511067334	HOSE SUPPORT		01
02	0503010014	3/4" HEX NUT		02
03	0501010322	FLAT WASHER		02



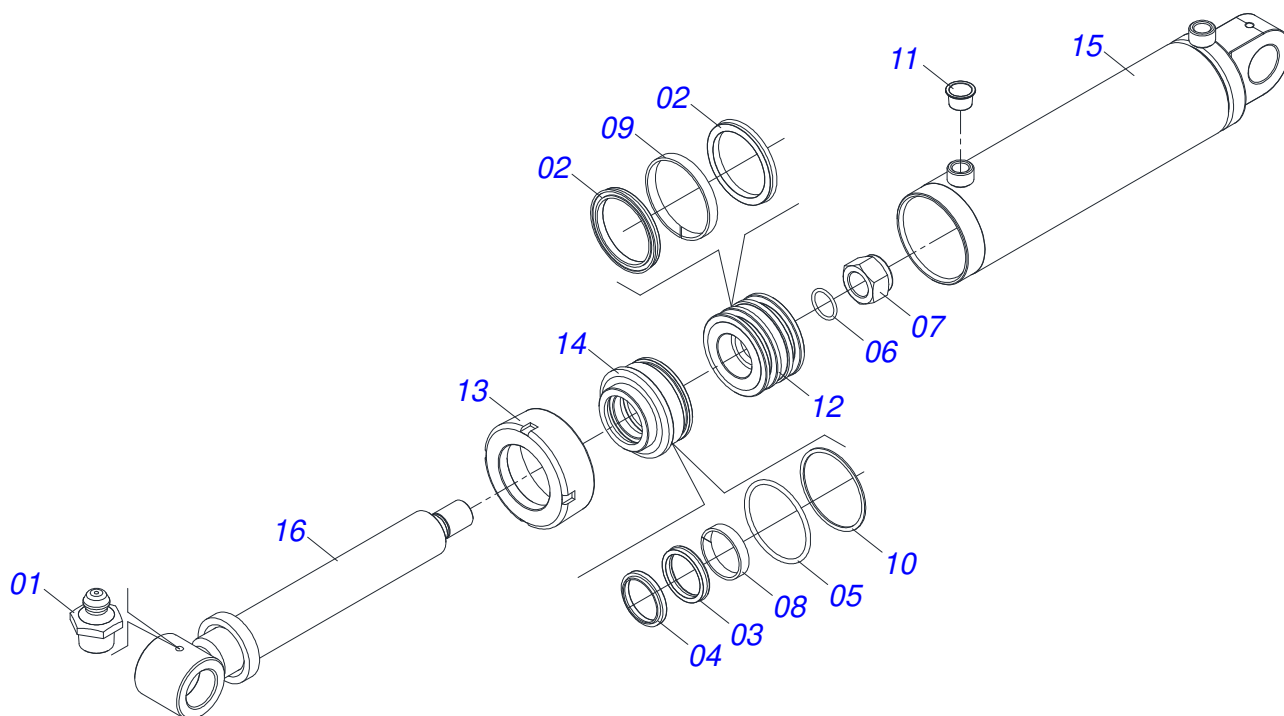
Item	Code	Description	See page	QT
01	0503062227	DRAWBAR JACK		01



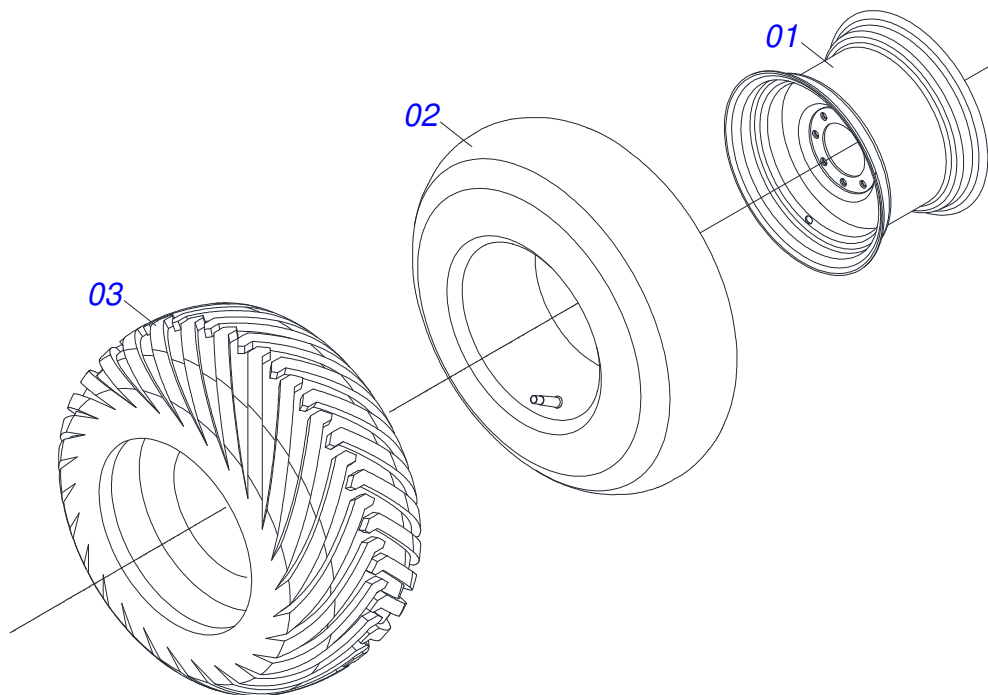
Item	Code	Description	See page	QT
01	0511068626	ASSEMBLY CARRYING-WHEELS		01
02	0501011547	1" X 4-1/2" BOLT		04
03	0503014182	SELF-ADJUSTING NUT		04



Item	Code	Description	See page	QT
01	0501110766	HUB CARRYING WHEELS WITH BOLT		01
02	0541014720	CR 7076205/1/1 AXLE		01
03	0503010006	32210 ROLLER BEARING		01
04	0503010005	32212 ROLLER BEARING		01
05	0501010086	FLAT WASHER		01
06	0503010067	3/16" X 2.1/2" COTTER PIN		01
07	0502011647	COVER		01
08	0503010691	1/4" GREASE FITTING		01
09	0503010009	RETAINER 00573-B		01
10	0503012723	502115 RENO RING		01
11	0503010298	1/4" X 1/2" BOLT		01
12	0503012457	UNF 1.1/4" CASTLE NUT		01

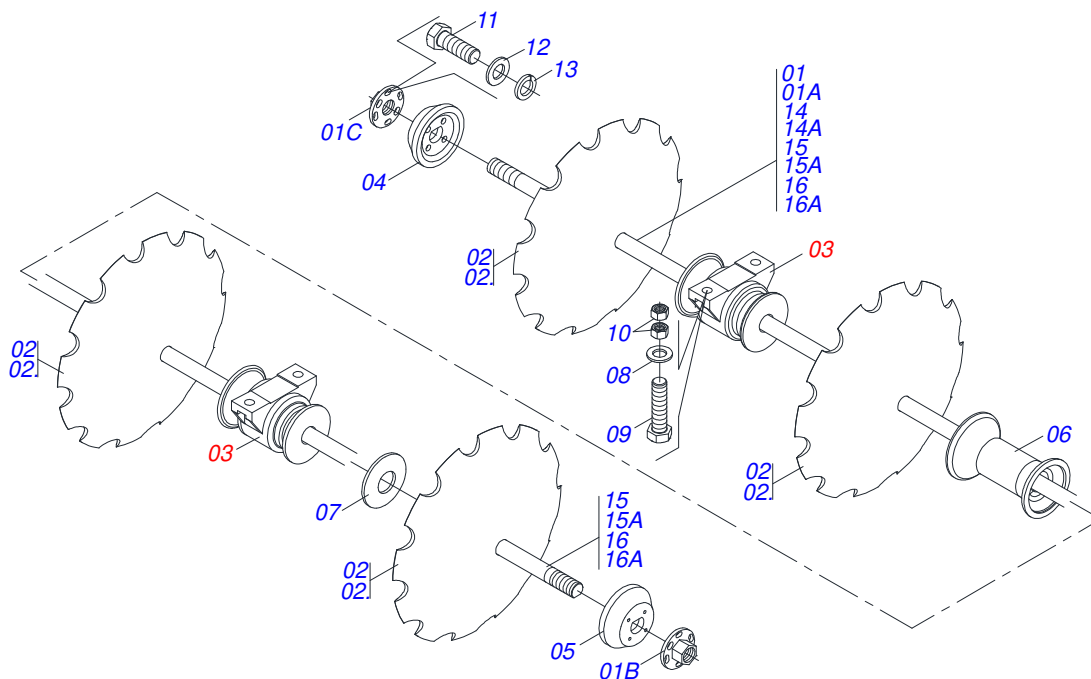


Item	Code	Description	See page	QT
01	0503010002	1800 GREASE FITTING		02
02	0503010043	PACKING 3750-3250		02
03	0503010314	GASKET		01
04	0503010319	D-2125 SCRAPER		01
05	0503010338	2-342 N 3006-9B O'RING		01
06	0503010345	2-218 N 3006-9B O'RING		01
07	0503010817	1.1/4" SELF LOCKING NUT		01
08	0503010973	W2-2500-500 PK O'RING G.E		01
09	0503010994	W2-4000-500 PK RING G.E		01
10	0503011061	8-342 BACK-UP RING		01
11	0503030384	CON PLUG N-001		02
12	0502011969	53,98 X 101,60 PISTON		01
13	0502010017	4" HEAD		01
14	0502011250	RING OF SUPPORT		01
15	0511068637	CYLINDER CASE		01
16	0531062978	HYDRAULIC CYLINDER TURNBUCKLE		01

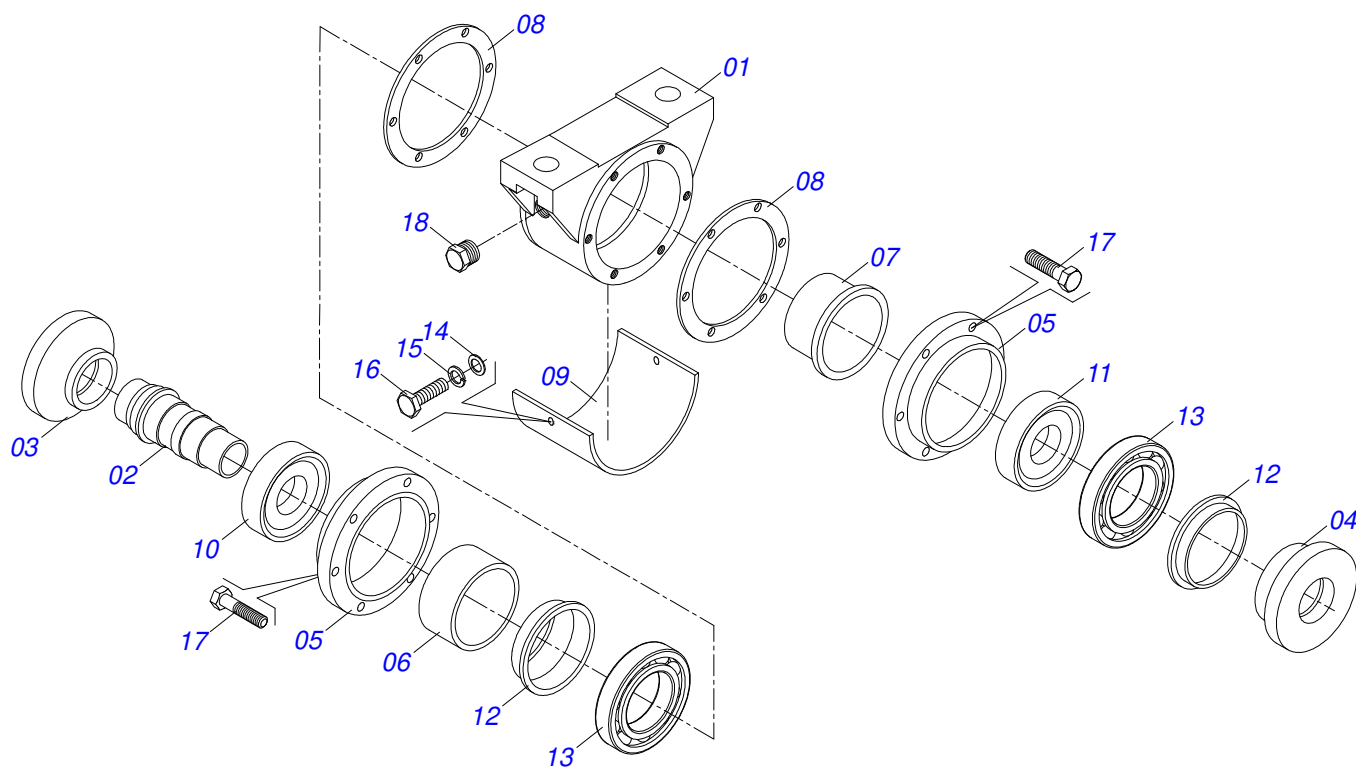


Item	Code	Description	See page	QT
01	0503012916	W-13 X 16,5 HOOP WHEEL		01
02	0503012112	400/60 - 15.5 TR 15 INNER TIRE		01
03	0503013119	CANVAS TIRE		01

ASSY GANG DISC



Item	Code	Description	See page	12	14	16	18
01	0511050245	DISC AXLE 2" UNC X 2044 WITH NUT		02	00	00	00
01A	0521014358	DISC AXLE		02	00	00	00
01B	0502011580	RIGHT NUT		02	02	04	04
01C	0502011581	LEFT NUT		02	02	04	04
02	0602044194	32 X 9MM NOTCHED DISC		00	14	16	18
02.	0602046009	34 X 9 MM NOTCHED DISC		12	14	16	18
02..	0602044165	32" X 0.3" NOTCHED DISC BLADE		12	00	00	00
03	0501048557	BEARING OIL	11	04	06	08	08
04	0502011578	INNER FLANGE		02	02	04	04
05	0502011577	OUTER FLANGE		02	02	04	04
06	0502011579	SPACER		06	06	04	06
07	0521013670	CHUCK		02	02	04	04
08	0521013710	WASHER SEMIMAN		08	12	16	16
09	0503013331	3/4 UNC X 4.1/2 C S G.5 ZN BOLT		08	12	16	16
10	0503012183	SNC 3/4" ZIN 1K03097 NUT		16	24	32	32
11	0503010834	1/2 X 1 BOLT		08	08	16	16
12	0501010937	13,50 X 28 X 3,00 FLAT WASHER		08	08	16	16
13	0503010019	1/2" SPRING WASHER		08	08	16	16
14	0511050179	DISC AXLE 2" UNC X 2405 WITH NUT		00	02	00	00
14A	0521013683	DISC AXLE		00	02	00	00
15	0511050168	DISC AXLE 2" UNC X 1322 WITH NUT		00	00	02	02
15A	0521013942	DISC AXLE		00	00	02	02
16	0511050172	DISC AXLE 2" UNC X 1682 WITH NUT		00	00	00	02
16A	0521014510	DISC AXLE		00	00	00	02



Item	Code	Description	See page	QT
01	0502011641	BEARIN BODY		01
02	0502011633	CENTER DEARIN		01
03	0502011630	WASHER CONCAVE		01
04	0502011631	WASHER CONVEX		01
05	0502011632	BEARING COVER		02
06	0502011827	SPACER		01
07	0502011629	SPACER		01
08	0503031502	JOINT BEARIN		02
09	0521013855	PLATE PROTECTION		01
10	0502011627	HOUSING RETAINE		01
11	0502011628	HOUSING RETAINE		01
12	0503012824	RETAINER		02
13	0503012285	32212 ROLLER BEARING		02
14	0501010984	10,50 X 27 X 3,00 FLAT WASHER		02
15	0503010025	3/8 SPRING WASHER		02
16	0503011334	BOLT 3/8 UNC X 3/4 CS G.5 ZN		02
17	0503010237	3/8" X 1" BOLT		12
18	0503010856	OIL PLUG		01



ANNOTATION



MARCHESAN

Lined area for annotations, consisting of 20 horizontal lines.





MARCHESAN

Technical Publications | Elaboration and Revision

MARINA PEREZ NIZA

www.marchesan.com.br

