

# PARTS CATALOGUE



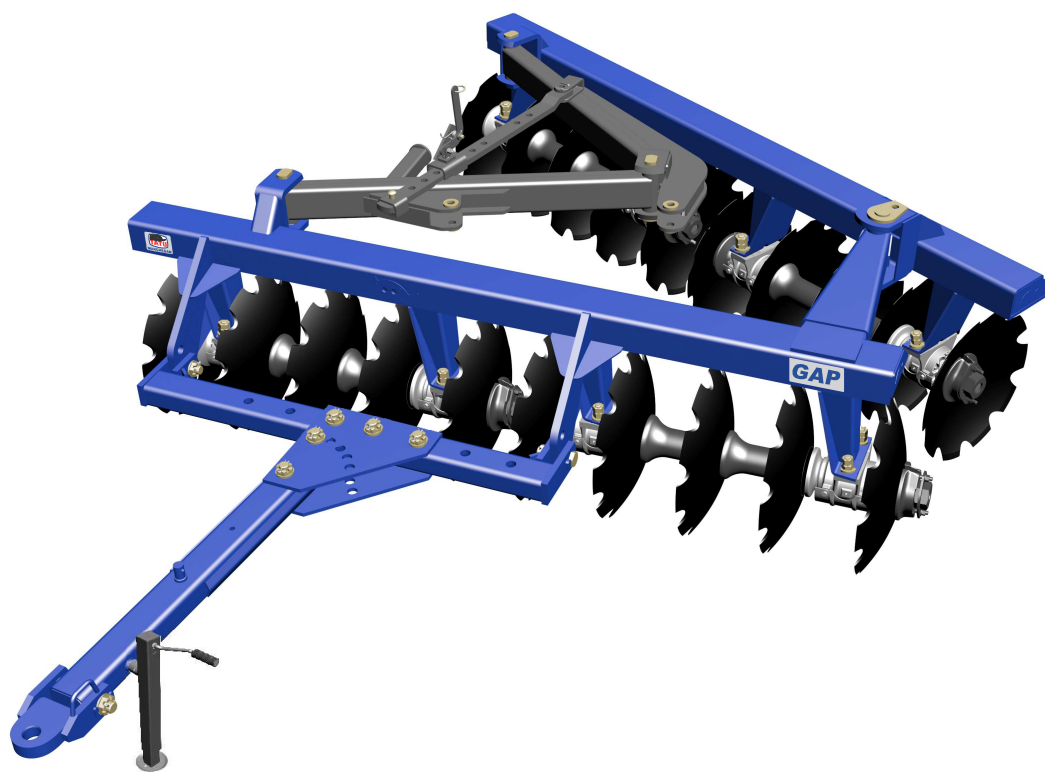
## OFFSET DISK HARROW

**Code:**

0501092183

**Product:**

GAP 12/14/16/18/20/24/30D



**Series:**

S-0182

**Revision:**

00

**Date Revision:**

ABRIL/2018



# PRODUCTS

Code	Description
0102040024	GAP 10 X 32 X 9,00 DM S-0182
0102040004	GAP 12 X 28 X 7,50 CM S-0182
0102040066	GAP 12 X 28 X 7,50 CM DL S-0182
0102040025	GAP 12 X 28 X 7,50 DM S-0182
0102040005	GAP 12 X 30 X 7,50 CM S-0182
0102040026	GAP 12 X 30 X 7,50 DM S-0182
0102040101	GAP 12 X 30 X 9,00 CM S-0182
0102040006	GAP 12 X 32 X 9,00 CM S-0182
0102040027	GAP 12 X 32 X 9,00 DM S-0182
0102040007	GAP 14 X 28 X 7,50 CM S-0182
0102040028	GAP 14 X 28 X 7,50 DM S-0182
0102040008	GAP 14 X 30 X 7,50 CM S-0182
0102040029	GAP 14 X 30 X 7,50 DM S-0182
0102040102	GAP 14 X 30 X 9,00 CM S-0182
0102040105	GAP 14 X 30 X 9,00 CM EXP S-0182
0102040065	GAP 14 X 32 X 12,00 DM S-0182
0102040009	GAP 14 X 32 X 9,00 CM S-0182
0102040030	GAP 14 X 32 X 9,00 DM S-0182
0102040094	GAP 14 X 34 X 9,00 CM S-0182
0102040057	GAP 14 X 34 X 9,00 DM S-0182
0102040010	GAP 16 X 28 X 7,50 CM S-0182
0102040031	GAP 16 X 28 X 7,50 DM S-0182
0102040011	GAP 16 X 30 X 7,50 CM S-0182
0102040032	GAP 16 X 30 X 7,50 DM S-0182
0102040106	GAP 16 X 30 X 9,00 CM EXP S-0182
0102040116	GAP 16 X 30 X 9,00 DM EXP S-0182
0102040059	GAP 16 X 32 X 12,0 DM EXP S-0182
0102040055	GAP 16 X 32 X 12,00 DM S-0182
0102040012	GAP 16 X 32 X 9,00 CM S-0182
0102040033	GAP 16 X 32 X 9,00 DM S-0182

## ATTENTION: IMPORTANT

Marchesan S.A. reserves the right to improve and / or modify the technical features of its products, without obligation to do the same with those products already sold and without prior knowledge of the dealer or the consumer.



# PRODUCTS

0102040068	GAP 16 X 34 X 9,00 DM S-0182
0102040013	GAP 18 X 28 X 7,50 CM S-0182
0102040034	GAP 18 X 28 X 7,50 DM S-0182
0102040014	GAP 18 X 30 X 7,50 CM S-0182
0102040035	GAP 18 X 30 X 7,50 DM S-0182
0102040104	GAP 18 X 30 X 9,00 CM S-0182
0102040047	GAP 18 X 30 X 9,00 DM S-0182
0102040015	GAP 18 X 32 X 9,00 CM S-0182
0102040036	GAP 18 X 32 X 9,00 DM S-0182
0102040016	GAP 20 X 28 X 7,50 CM S-0182
0102040037	GAP 20 X 28 X 7,50 DM S-0182
0102040017	GAP 20 X 30 X 7,50 CM S-0182
0102040038	GAP 20 X 30 X 7,50 DM S-0182
0102040054	GAP 20 X 32 X 12,00 DM S-0182
0102040018	GAP 20 X 32 X 9,00 CM S-0182
0102040039	GAP 20 X 32 X 9,00 DM S-0182
0102040019	GAP 24 X 28 X 7,50 CM S-0182
0102040040	GAP 24 X 28 X 7,50 DM S-0182
0102040020	GAP 24 X 30 X 7,50 CM S-0182
0102040041	GAP 24 X 30 X 7,50 DM S-0182
0102040021	GAP 24 X 32 X 9,00 CM S-0182
0102040042	GAP 24 X 32 X 9,00 DM S-0182
0102040096	GAP 30 X 30 X 7,50 CM S-0182
0102040067	GAP 30 X 32 X 12,00 DM S-0182
0102040097	GAP 30 X 32 X 9,00 CM S-0182
0102040099	GAP 30 X 32 X 9,00 DM S-0182

## ATTENTION: IMPORTANT

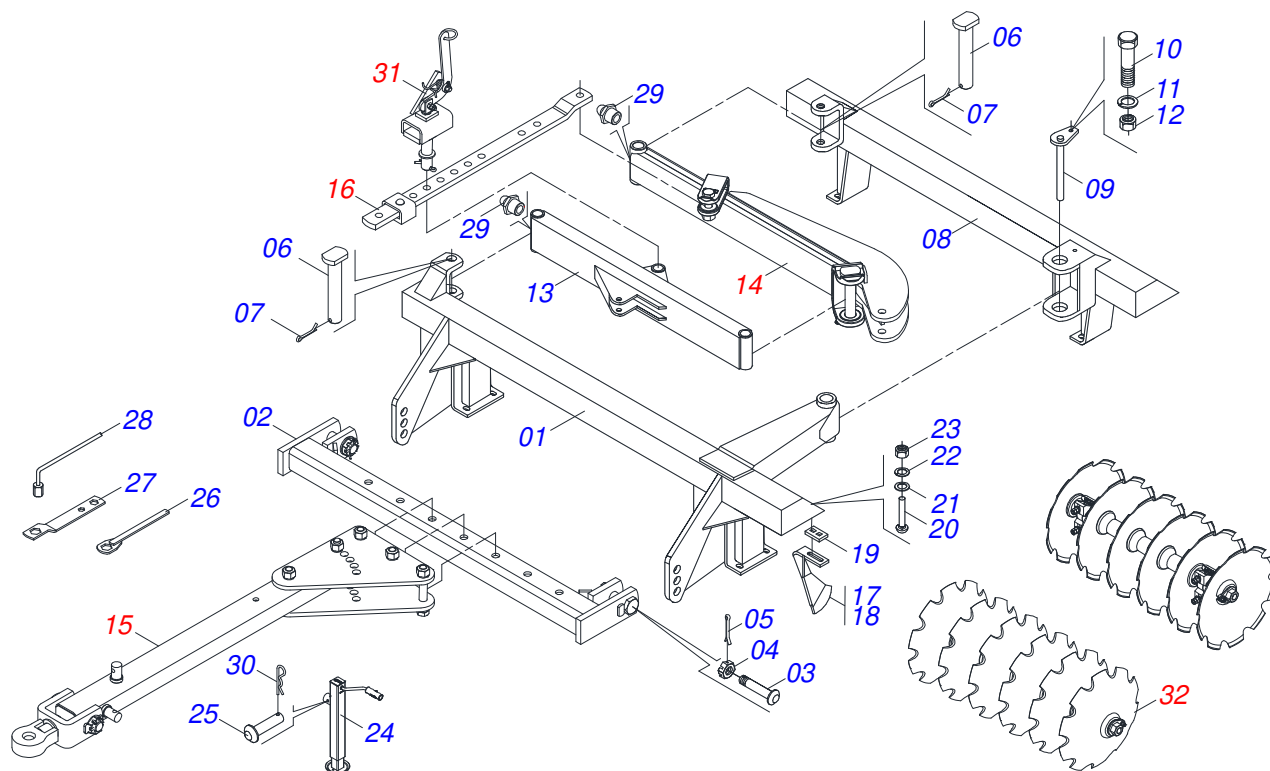
Marchesan S.A. reserves the right to improve and / or modify the technical features of its products, without obligation to do the same with those products already sold and without prior knowledge of the dealer or the consumer.



**MARCHESAN**

# INDEX

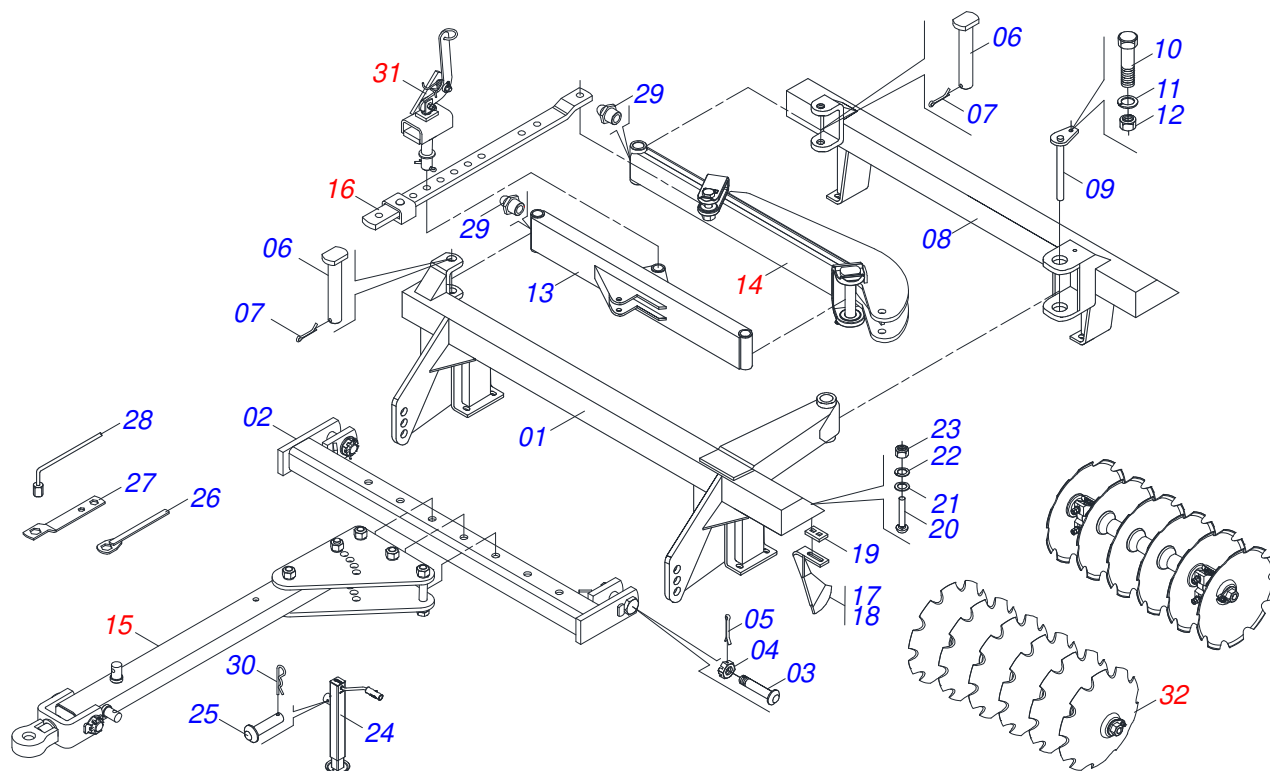
0909093882	GAP 12	.....	1
0909093883	GAP 14	.....	2
0909093884	GAP 16	.....	3
0909093885	GAP 18	.....	4
0909093886	GAP 20	.....	5
0909093887	GAP 24	.....	6
0909093888	GAP 30	.....	7
0501041219	REAR STABILIZER BAR ASSY	.....	8
0501041229	REAR STABILIZER BAR ASSY	.....	9
0501041215	DRAWBAR ASSY	.....	10
0501041372	DRAWBAR ASSY	.....	11
0501041859	ADJUSTMENT BAR ASSY	.....	12
0501041216	ADJUSTMENT BAR ASSY	.....	13
0501040057	ADJUSTMENT ASSY	.....	14
0909093904	GANG DISC 12	.....	15
0909093905	GANG DISC 14	.....	16
0909093906	GANG DISC 16	.....	17
0909093907	GANG DISC 18	.....	18
0909093908	GANG DISC 20	.....	19
0909093909	GANG DISC 24	.....	20
0909093910	GANG DISC	.....	21
0501046917	13" X 2-1/8" PR BEARING ASSY	.....	22
0501046926	330MM X 2-1/8" RD. OIL BATH BEARING	.....	23
0503062157	HEADER JACK	.....	24



Item	Code	Description	See page	QT
01	0501060413	FRONT FRAME		01
02	0501060315	57.5" OFFSET BAR		01
03	0501016416	1-1/2" X 5.4" BOLT		02
04	0501011301	1.1/2 UNC 6FPP 2.5/16 NUT		02
05	0503010010	1/4" X 2.1/2" COTTERPIN		02
06	0521010644	1.5" X 8.4" COUPLING SHAFT		03
07	0503010534	3/8 X 2-1/2 COTTERPIN		03
08	0501060420	REAR FRAME		01
09	0501062185	2.5" X 13.6" COUPLING SHAFT		01
10	0501010276	1" X 3" BOLT		01
11	0503010012	1" SPRING WASHER		02
12	0503014018	1" NUT		02
13	0501060428	FRONT STABILIZER BAR		01
14	0501041219	REAR STABILIZER BAR ASSY	8	01
15	0501041215	DRAWBAR ASSY	10	01
16	0501041859	ADJUSTMENT BAR ASSY	12	01
17	0501060423	FRONT SCRAPER		06
18	0501060424	REAR SCRAPER		06
19	0501010299	SCRAPER LOCK		12
20	0503010233	5/8" X 2-1/2" BOLT		24
21	0501012140	FLAT WASHER		24
22	0503010027	5/8" SPRING WASHER		24
23	0503010013	5/8" NUT		24
24	0503062157	HEADER JACK	24	01
25	0521010549	COUPLING SHAFT		01
26	0501061044	2-1/8" AND 2-1/2" CABLE FLAT WRENCH		02
27	0511018451	5/8" X 3/4" X 1" UNIVERSAL		01
28	0501061045	1" WRENCH CYLINDRICAL		01
29	0503010002	1800 GREASE FITTING		01
30	0503030168	HAIR PIN		02
31	0501040057	ADJUSTMENT ASSY	14	01



Item	Code	Description	See page	QT
32	0909093904	GANG DISC 12	15	

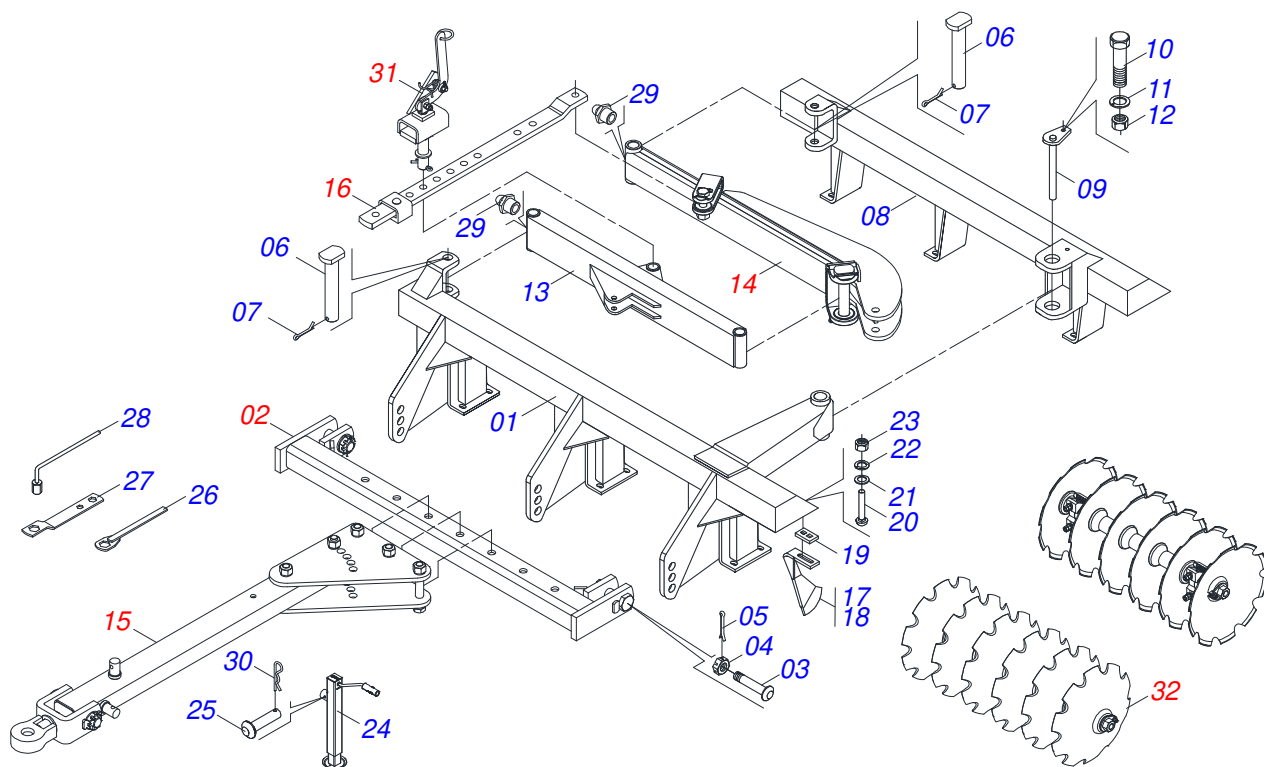


Item	Code	Description	See page	QT
01	0501060418	FRONT FRAME		01
02	0501063938	71.6" OFFSET BAR		01
03	0501016416	1-1/2" X 5.4" BOLT		02
04	0501011301	1.1/2 UNC 6FPP 2.5/16 NUT		02
05	0503010010	1/4" X 2.1/2" COTTERPIN		02
06	0521010644	1.5" X 8.4" COUPLING SHAFT		03
07	0503010534	3/8 X 2-1/2 COTTERPIN		03
08	0501060421	REAR FRAME		01
09	0501062185	2.5" X 13.6" COUPLING SHAFT		01
10	0501010276	1" X 3" BOLT		01
11	0503010012	1" SPRING WASHER		02
12	0503014018	1" NUT		02
13	0501060428	FRONT STABILIZER BAR		01
14	0501041219	REAR STABILIZER BAR ASSY	8	01
15	0501041215	DRAWBAR ASSY	10	01
16	0501041859	ADJUSTMENT BAR ASSY	12	01
17	0501060423	FRONT SCRAPER		07
18	0501060424	REAR SCRAPER		07
19	0501010299	SCRAPER LOCK		14
20	0503010233	5/8" X 2-1/2" BOLT		28
21	0501012140	FLAT WASHER		28
22	0503010027	5/8" SPRING WASHER		28
23	0503010013	5/8" NUT		28
24	0503062157	HEADER JACK	24	01
25	0521010549	COUPLING SHAFT		01
26	0501061044	2-1/8" AND 2-1/2" CABLE FLAT WRENCH		02
27	0511018451	5/8" X 3/4" X 1" UNIVERSAL		01
28	0501061045	1" WRENCH CYLINDRICAL		01
29	0503010002	1800 GREASE FITTING		01
30	0503030168	HAIR PIN		02
31	0501040057	ADJUSTMENT ASSY	14	01



Item	Code	Description	See page	QT
32	0909093905	GANG DISC 14	16	

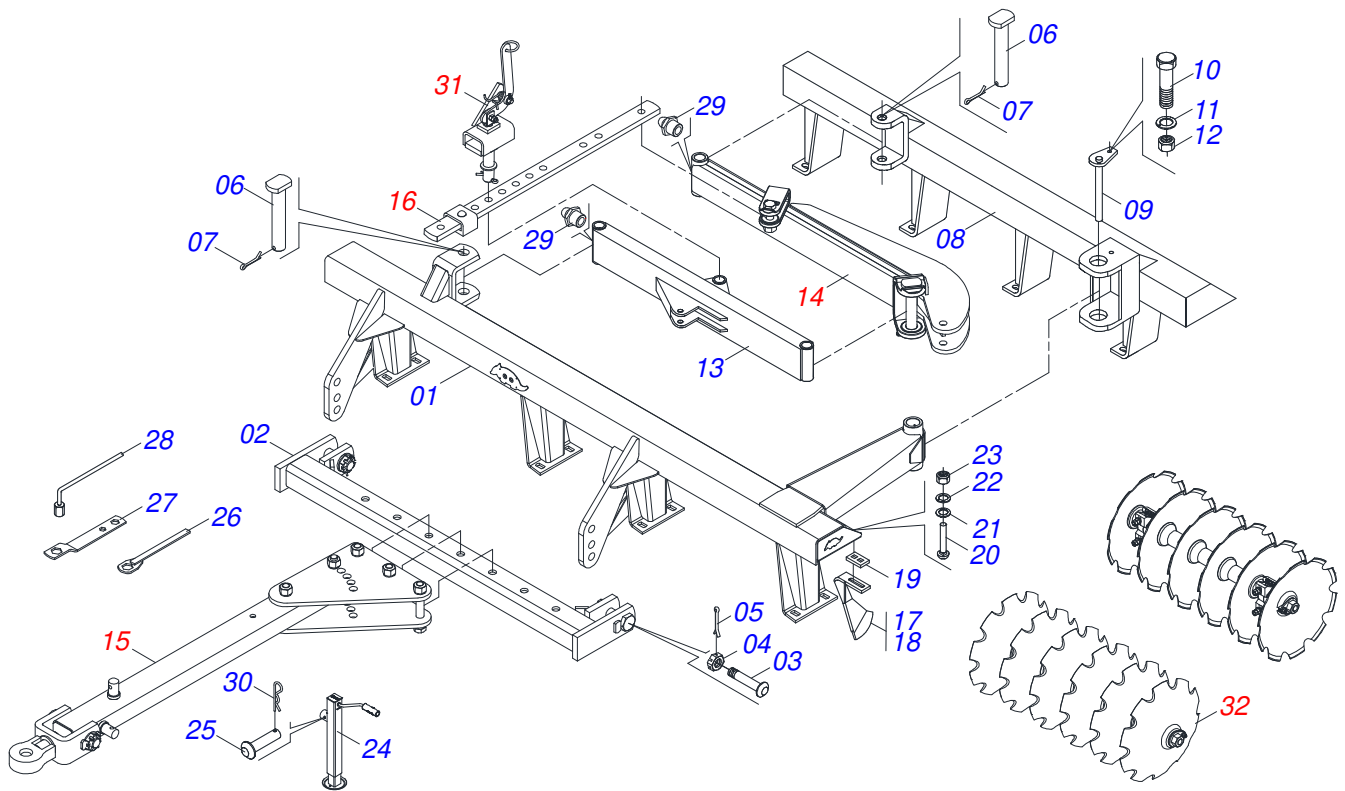




Item	Code	Description	See page	QT
01	0501060438	FRONT FRAME		01
02	0501060435	43.7" OFFSET BAR		01
03	0501016416	1-1/2" X 5.4" BOLT		02
04	0501011301	1.1/2 UNC 6FPP 2.5/16 NUT		02
05	0503010010	1/4" X 2.1/2" COTTERPIN		02
06	0521010644	1.5" X 8.4" COUPLING SHAFT		03
07	0503010534	3/8 X 2-1/2 COTTERPIN		03
08	0501060439	REAR FRAME		01
09	0501062185	2.5" X 13.6" COUPLING SHAFT		01
10	0501010276	1" X 3" BOLT		01
11	0503010012	1" SPRING WASHER		02
12	0503014018	1" NUT		02
13	0501060428	FRONT STABILIZER BAR		01
14	0501041219	REAR STABILIZER BAR ASSY	8	01
15	0501041372	DRAWBAR ASSY	11	01
16	0501041859	ADJUSTMENT BAR ASSY	12	01
17	0501060423	FRONT SCRAPER		08
18	0501060424	REAR SCRAPER		08
19	0501010299	SCRAPER LOCK		16
20	0503010233	5/8" X 2-1/2" BOLT		32
21	0501012140	FLAT WASHER		32
22	0503010027	5/8" SPRING WASHER		32
23	0503010013	5/8" NUT		32
24	0503062157	HEADER JACK	24	01
25	0521010549	COUPLING SHAFT		01
26	0501061044	2-1/8" AND 2-1/2" CABLE FLAT WRENCH		02
27	0501011432	1-1/2" AND 1-5/8 GANG BOLT WRENCH		01
28	0501061045	1" WRENCH CYLINDRICAL		01
29	0503010002	1800 GREASE FITTING		01
30	0503030168	HAIR PIN		02
31	0501040057	ADJUSTMENT ASSY	14	01



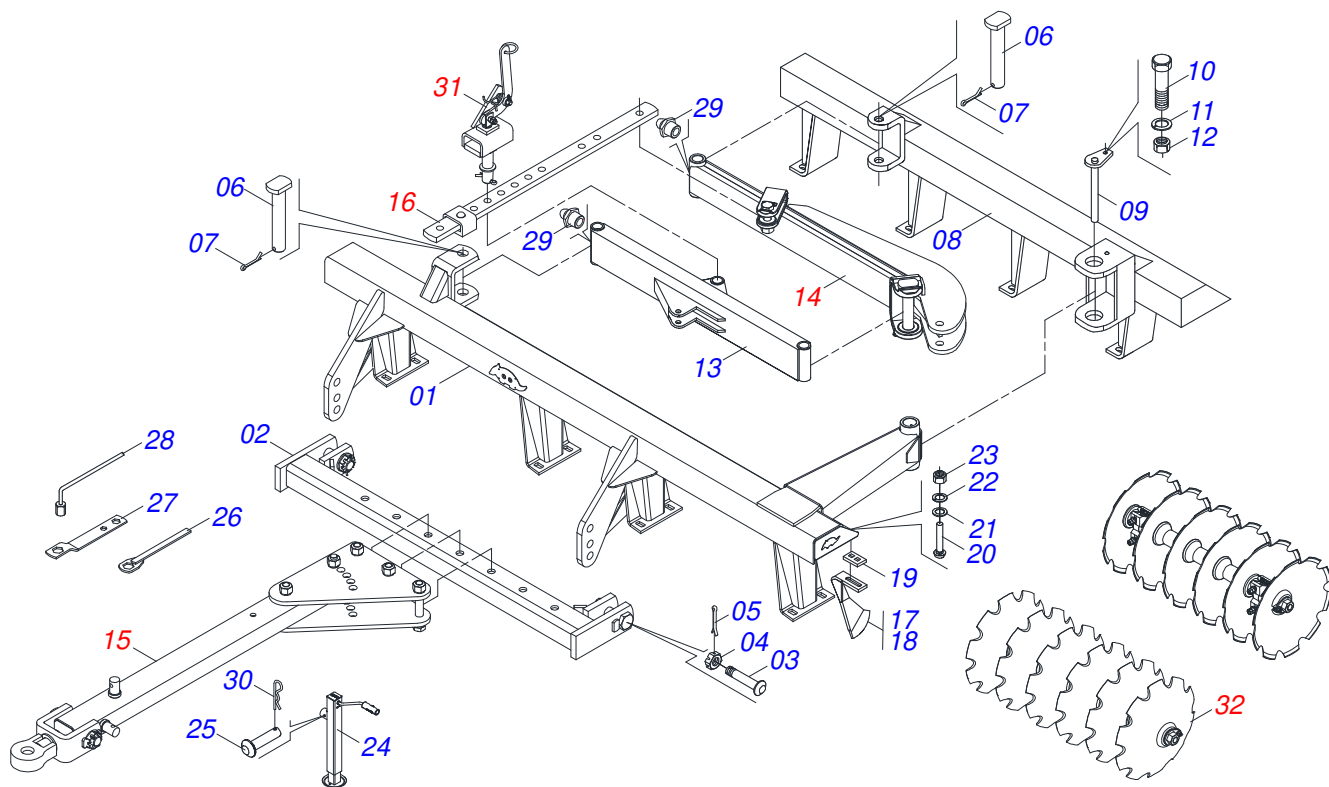
Item	Code	Description	See page	QT
32	0909093906	GANG DISC 16	17	



Item	Code	Description	See page	QT
01	0501060441	FRONT FRAME		01
02	0501060451	68.5" OFFSET BAR		01
03	0501016416	1-1/2" X 5.4" BOLT		02
04	0501011301	1.1/2 UNC 6FPP 2.5/16 NUT		02
05	0503010010	1/4" X 2.1/2" COTTERPIN		02
06	0521010644	1.5" X 8.4" COUPLING SHAFT		03
07	0503010534	3/8 X 2-1/2 COTTERPIN		03
08	0501060444	REAR FRAME		01
09	0501062185	2.5" X 13.6" COUPLING SHAFT		01
10	0501010276	1" X 3" BOLT		01
11	0503010012	1" SPRING WASHER		02
12	0503014018	1" NUT		02
13	0501060448	FRONT STABILIZER BAR		01
14	0501041229	REAR STABILIZER BAR ASSY	9	01
15	0501041372	DRAWBAR ASSY	11	01
16	0501041216	ADJUSTMENT BAR ASSY	13	01
17	0501060423	FRONT SCRAPER		09
18	0501060424	REAR SCRAPER		09
19	0501010299	SCRAPER LOCK		18
20	0503010233	5/8" X 2-1/2" BOLT		36
21	0501012140	FLAT WASHER		36
22	0503010027	5/8" SPRING WASHER		36
23	0503010013	5/8" NUT		36
24	0503062157	HEADER JACK	24	01
25	0521010549	COUPLING SHAFT		01
26	0501061044	2-1/8" AND 2-1/2" CABLE FLAT WRENCH		02
27	0501011432	1-1/2" AND 1-5/8 GANG BOLT WRENCH		01
28	0501061045	1" WRENCH CYLINDRICAL		01
29	0503010002	1800 GREASE FITTING		01
30	0503030168	HAIR PIN		02
31	0501040057	ADJUSTMENT ASSY	14	01



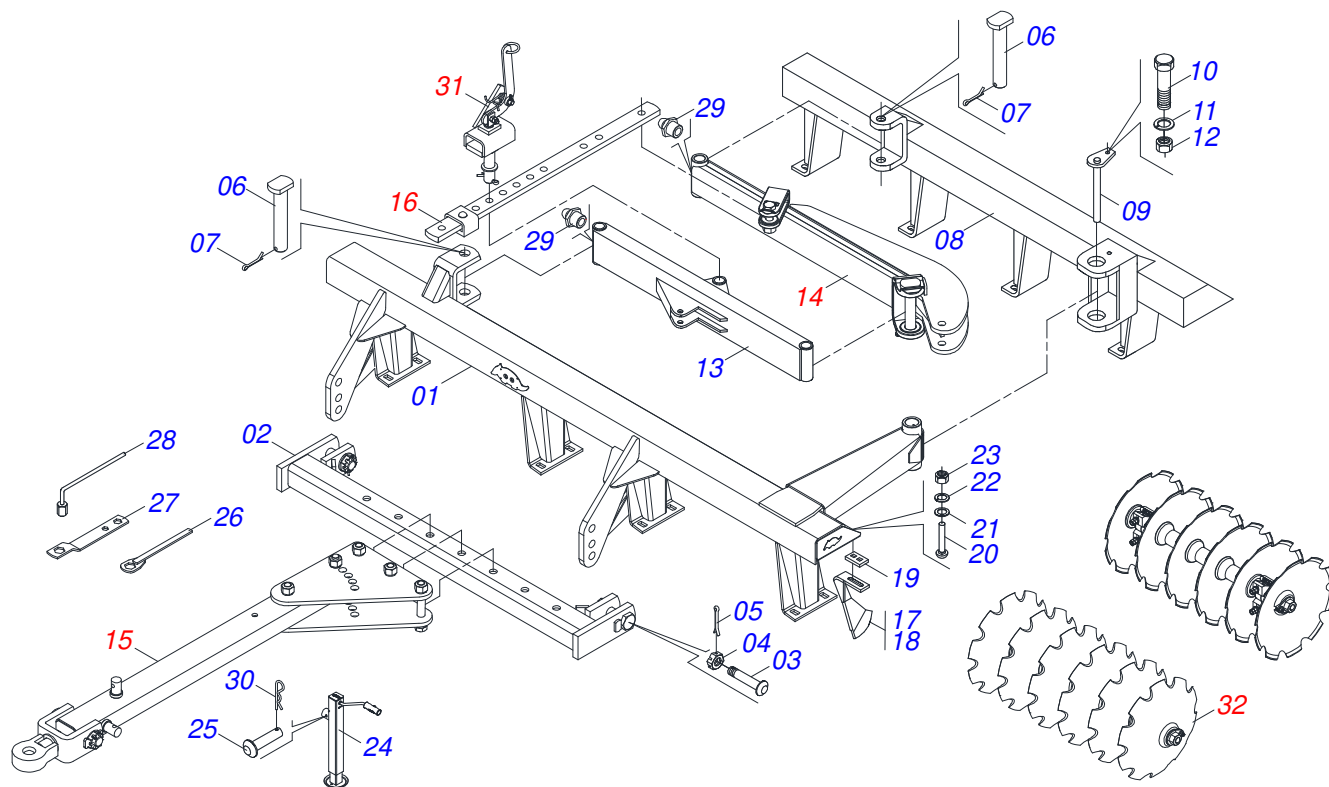
Item	Code	Description	See page	QT
32	0909093907	GANG DISC 18	18	



Item	Code	Description	See page	QT
01	0501060442	FRONT FRAME		01
02	0501060451	68.5" OFFSET BAR		01
03	0501016416	1-1/2" X 5.4" BOLT		02
04	0501011301	1.1/2 UNC 6FPP 2.5/16 NUT		02
05	0503010010	1/4" X 2.1/2" COTTERPIN		02
06	0521010644	1.5" X 8.4" COUPLING SHAFT		03
07	0503010534	3/8 X 2-1/2 COTTERPIN		03
08	0501060445	REAR FRAME		01
09	0501062185	2.5" X 13.6" COUPLING SHAFT		01
10	0501010276	1" X 3" BOLT		01
11	0503010012	1" SPRING WASHER		02
12	0503014018	1" NUT		02
13	0501060448	FRONT STABILIZER BAR		01
14	0501041229	REAR STABILIZER BAR ASSY	9	01
15	0501041372	DRAWBAR ASSY	11	01
16	0501041216	ADJUSTMENT BAR ASSY	13	01
17	0501060423	FRONT SCRAPER		10
18	0501060424	REAR SCRAPER		10
19	0501010299	SCRAPER LOCK		20
20	0503010233	5/8" X 2-1/2" BOLT		40
21	0501012140	FLAT WASHER		40
22	0503010027	5/8" SPRING WASHER		40
23	0503010013	5/8" NUT		40
24	0503062157	HEADER JACK	24	01
25	0521010549	COUPLING SHAFT		01
26	0501061044	2-1/8" AND 2-1/2" CABLE FLAT WRENCH		02
27	0501011432	1-1/2" AND 1-5/8 GANG BOLT WRENCH		01
28	0501061045	1" WRENCH CYLINDRICAL		01
29	0503010002	1800 GREASE FITTING		01
30	0503030168	HAIR PIN		02
31	0501040057	ADJUSTMENT ASSY	14	01



Item	Code	Description	See page	QT
32	0909093908	GANG DISC 20	19	

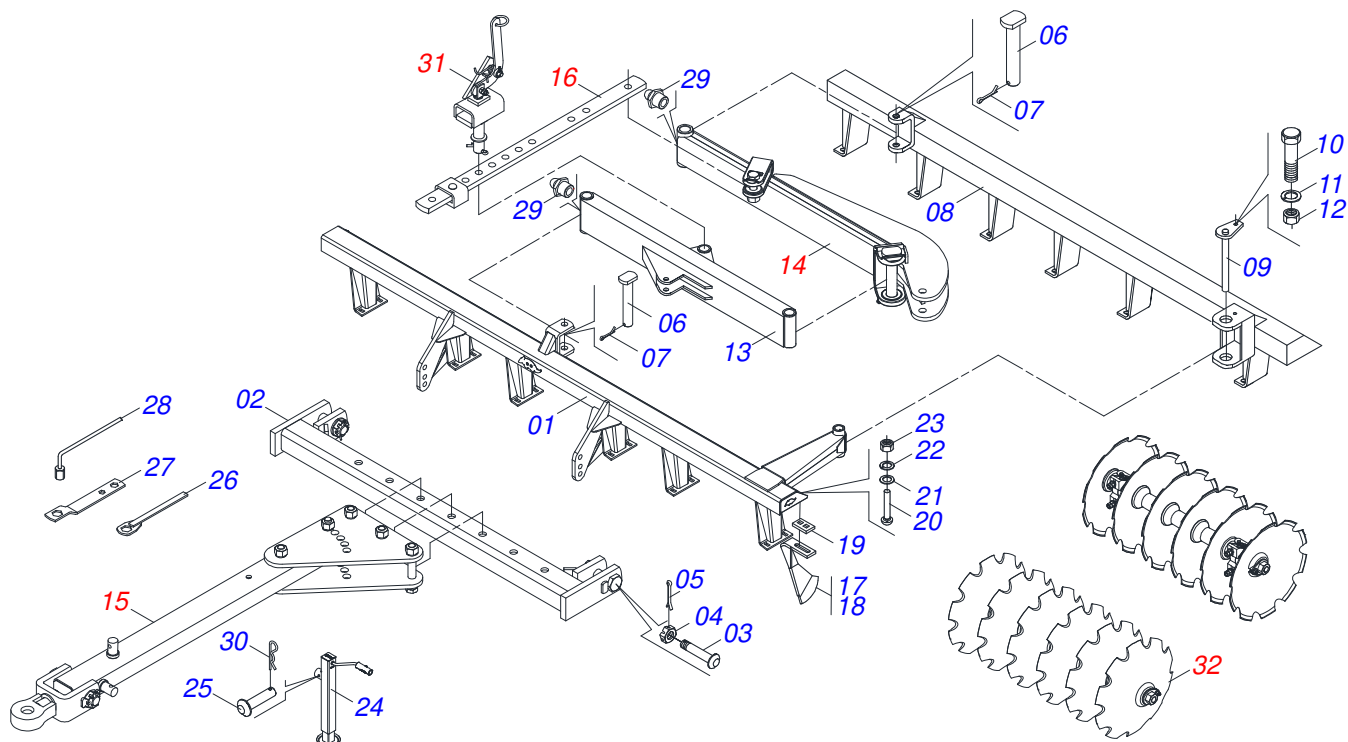


Item	Code	Description	See page	QT
01	0501060443	FRONT FRAME		01
02	0501060452	82.1" OFFSET BAR		01
03	0501016416	1-1/2" X 5.4" BOLT		02
04	0501011301	1.1/2 UNC 6FPP 2.5/16 NUT		02
05	0503010010	1/4" X 2.1/2" COTTERPIN		02
06	0521010644	1.5" X 8.4" COUPLING SHAFT		03
07	0503010534	3/8 X 2-1/2 COTTERPIN		03
08	0501060446	REAR FRAME		01
09	0501062185	2.5" X 13.6" COUPLING SHAFT		01
10	0501010276	1" X 3" BOLT		01
11	0503010012	1" SPRING WASHER		02
12	0503014018	1" NUT		02
13	0501060448	FRONT STABILIZER BAR		01
14	0501041229	REAR STABILIZER BAR ASSY	9	01
15	0501041372	DRAWBAR ASSY	11	01
16	0501041216	ADJUSTMENT BAR ASSY	13	01
17	0501060423	FRONT SCRAPER		12
18	0501060424	REAR SCRAPER		12
19	0501010299	SCRAPER LOCK		24
20	0503010233	5/8" X 2-1/2" BOLT		48
21	0501012140	FLAT WASHER		48
22	0503010027	5/8" SPRING WASHER		48
23	0503010013	5/8" NUT		48
24	0503062157	HEADER JACK	24	01
25	0521010549	COUPLING SHAFT		01
26	0501061044	2-1/8" AND 2-1/2" CABLE FLAT WRENCH		02
27	0501011432	1-1/2" AND 1-5/8 GANG BOLT WRENCH		01
28	0501061045	1" WRENCH CYLINDRICAL		01
29	0503010002	1800 GREASE FITTING		01
30	0503030168	HAIR PIN		02
31	0501040057	ADJUSTMENT ASSY	14	01



Item	Code	Description	See page	QT
32	0909093909	GANG DISC 24	20	

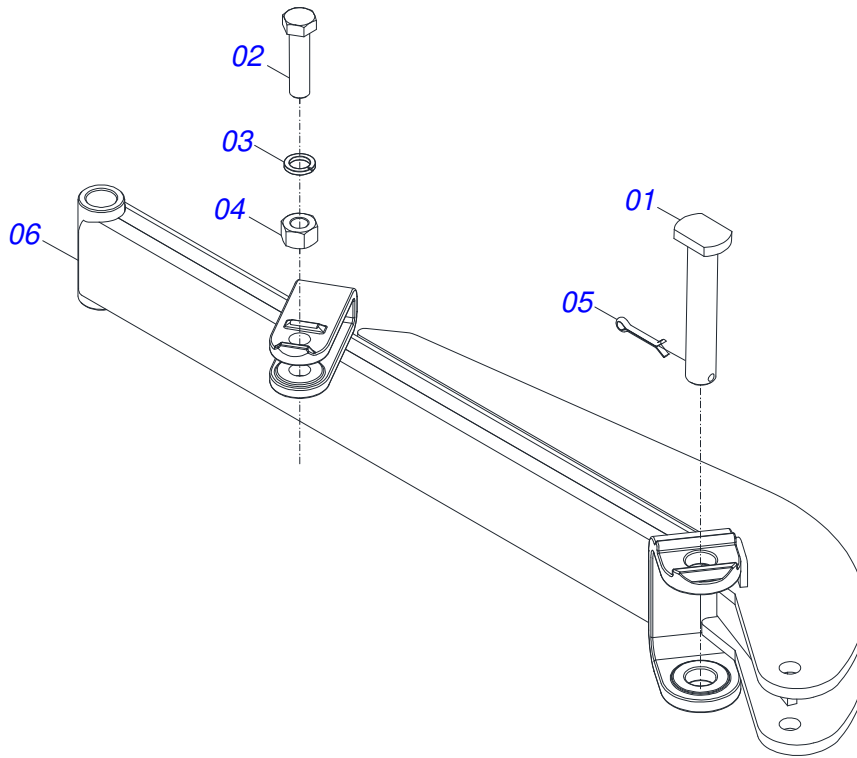




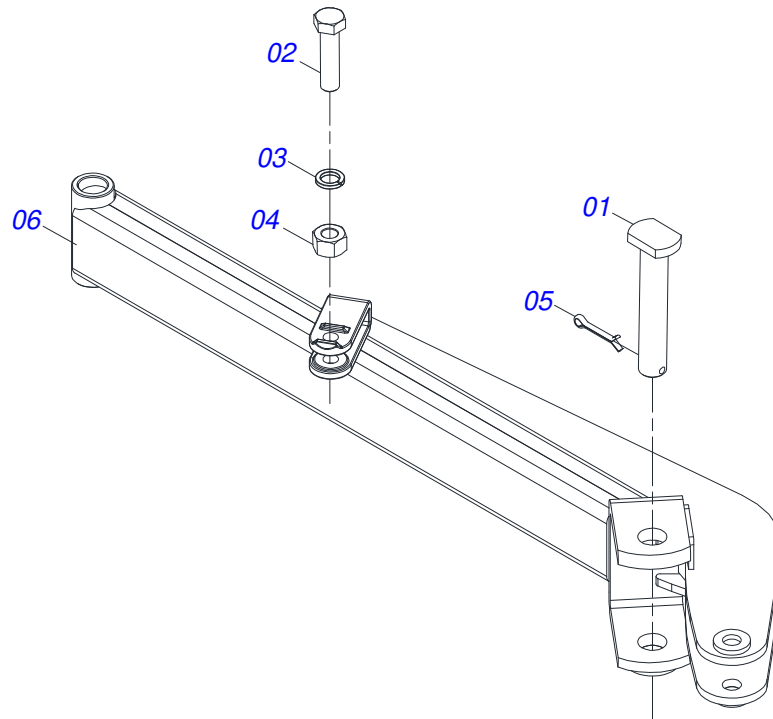
Item	Code	Description	See page	QT
01	0501065050	FRONT FRAME		01
02	0501065052	68.5" OFFSET BAR		01
03	0501810295	BOLT		02
04	0501011301	1.1/2 UNC 6FPP 2.5/16 NUT		02
05	0503010010	1/4" X 2.1/2" COTTERPIN		02
06	0521010644	1.5" X 8.4" COUPLING SHAFT		03
07	0503010534	3/8 X 2-1/2 COTTERPIN		03
08	0501065051	REAR FRAME		01
09	0501062185	2.5" X 13.6" COUPLING SHAFT		01
10	0501010276	1" X 3" BOLT		01
11	0503010012	1" SPRING WASHER		02
12	0503014018	1" NUT		02
13	0501060448	FRONT STABILIZER BAR		01
14	0501041229	REAR STABILIZER BAR ASSY	9	01
15	0501042882	GA 28 ASSY DRAWBAR		01
16	0501041216	ADJUSTMENT BAR ASSY	13	01
17	0501060423	FRONT SCRAPER		15
18	0501060424	REAR SCRAPER		15
19	0501010299	SCRAPER LOCK		30
20	0503010233	5/8" X 2-1/2" BOLT		60
21	0501012140	FLAT WASHER		60
22	0503010027	5/8" SPRING WASHER		60
23	0503010013	5/8" NUT		60
24	0503062157	HEADER JACK	24	01
25	0521010549	COUPLING SHAFT		01
26	0501061044	2-1/8" AND 2-1/2" CABLE FLAT WRENCH		02
27	0501011432	1-1/2" AND 1-5/8 GANG BOLT WRENCH		01
28	0501061045	1" WRENCH CYLINDRICAL		01
29	0503010002	1800 GREASE FITTING		01
30	0503030168	HAIR PIN		02
31	0501040057	ADJUSTMENT ASSY	14	01



Item	Code	Description	See page	QT
32	0909093910	GANG DISC	21	

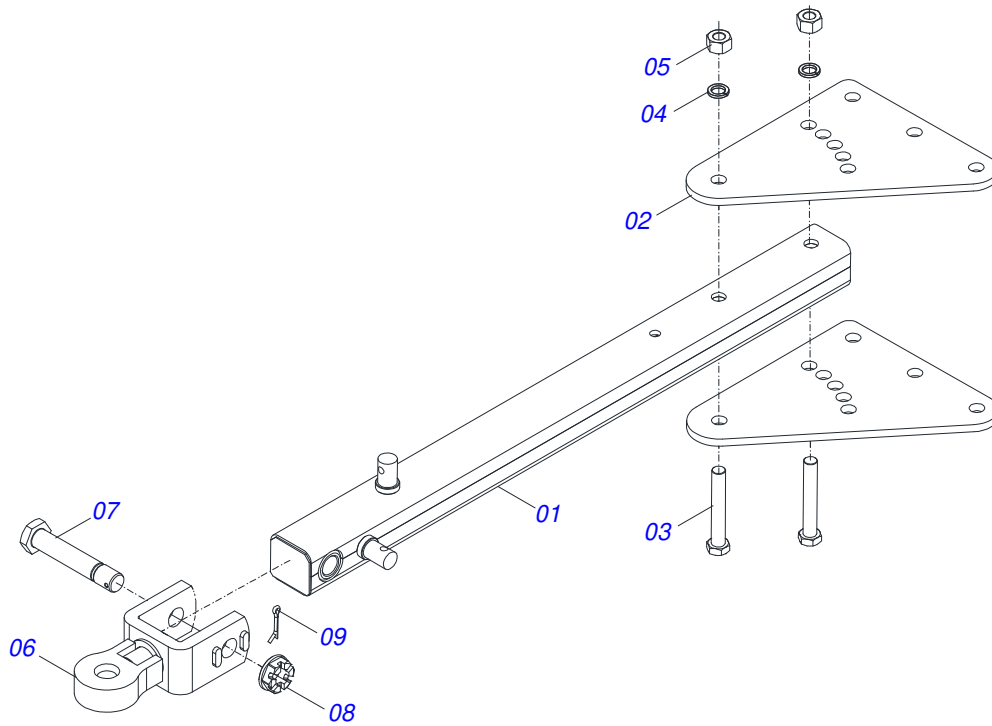


Item	Code	Description	See page	QT
001	0521010644	1.5" X 8.4" COUPLING SHAFT		01
002	0503011432	1" X 4" BOLT		01
003	0503011438	SPRING WASHER		01
004	0501010059	1.5/8 NUT		01
005	0503010534	3/8 X 2-1/2 COTTERPIN		01
006	0501060433	REAR STABILIZER BAR		01



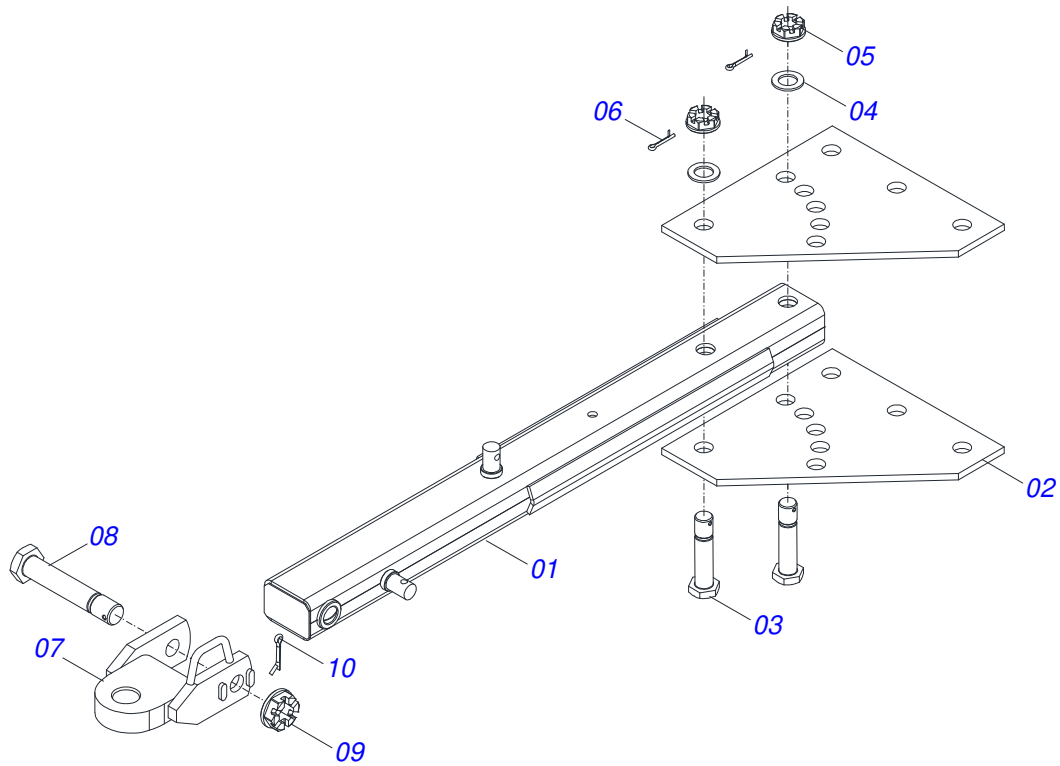
Item	Code	Description	See page	QT
001	0521010644	1.5" X 8.4" COUPLING SHAFT		01
002	0503011432	1" X 4" BOLT		01
003	0503010012	1" SPRING WASHER		01
004	0501010059	1.5/8 NUT		01
005	0503010534	3/8 X 2-1/2 COTTERPIN		01
006	0501060450	REAR STABILIZER BAR ASSY		01

DRAWBAR ASSY

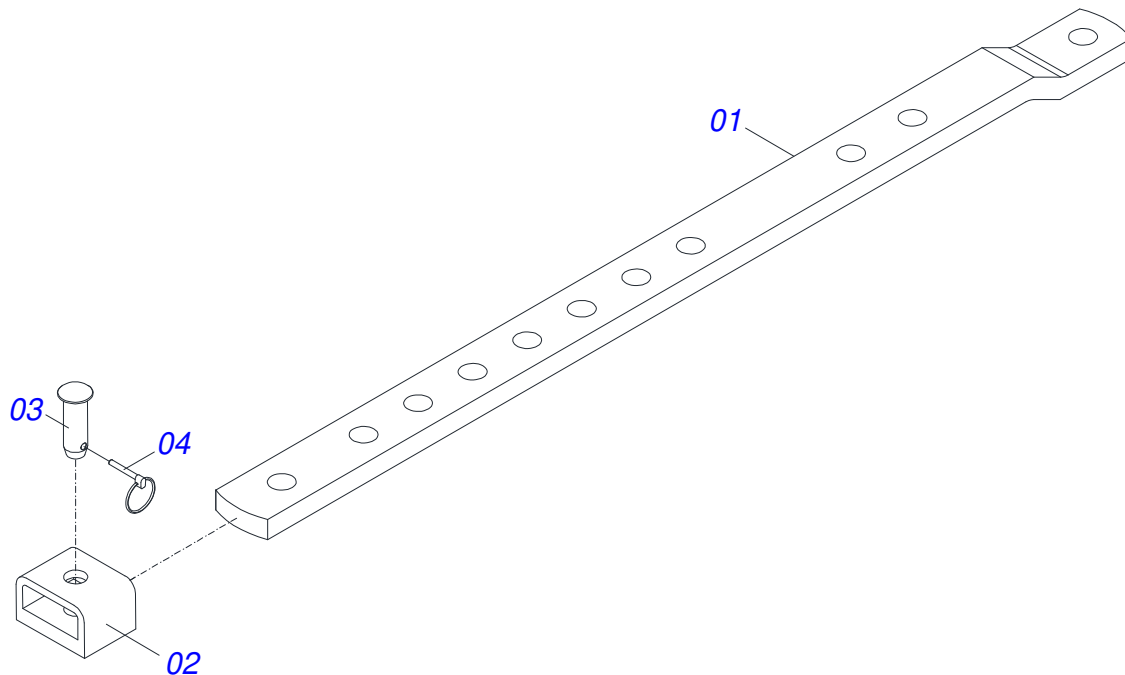


Item	Code	Description	See page	QT
001	0501066715	DRAWBAR ASSY		01
002	0511013000	UPPER /LOWER PLATE		02
003	0501010060	1" X 6-1/2" BOLT		05
004	0503011438	SPRING WASHER		05
005	0501010059	1.5/8 NUT		05
006	0501062869	TRACTOR HITCH		01
007	0501017291	1-1/2" X 8.1" BOLT		01
008	0501011301	1.1/2 UNC 6FPP 2.5/16 NUT		01
009	0503010010	1/4" X 2.1/2" COTTERPIN		01

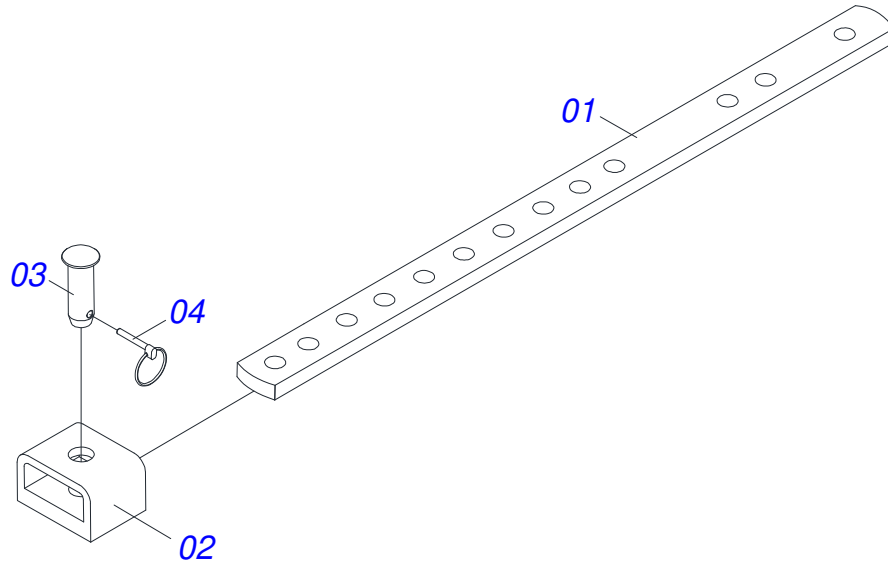
DRAWBAR ASSY



Item	Code	Description	See page	QT
001	0501060299	DRAWBAR ASSY		01
002	0501010272	UPPER/LOWER PLATE		02
003	0501010295	1-1/2" X 6.9" BOLT		05
004	0501012916	FLAT WASHER 38,50 X 66 X 4,75 ZN		05
005	0501011301	1.1/2 UNC 6FPP 2.5/16 NUT		05
006	0503010010	1/4" X 2.1/2" COTTERPIN		05
007	0501060317	TRACTOR HITCH		01
008	0501016415	1-1/2" X 9.6" BOLT		01
009	0501011301	1.1/2 UNC 6FPP 2.5/16 NUT		01
010	0503010010	1/4" X 2.1/2" COTTERPIN		01

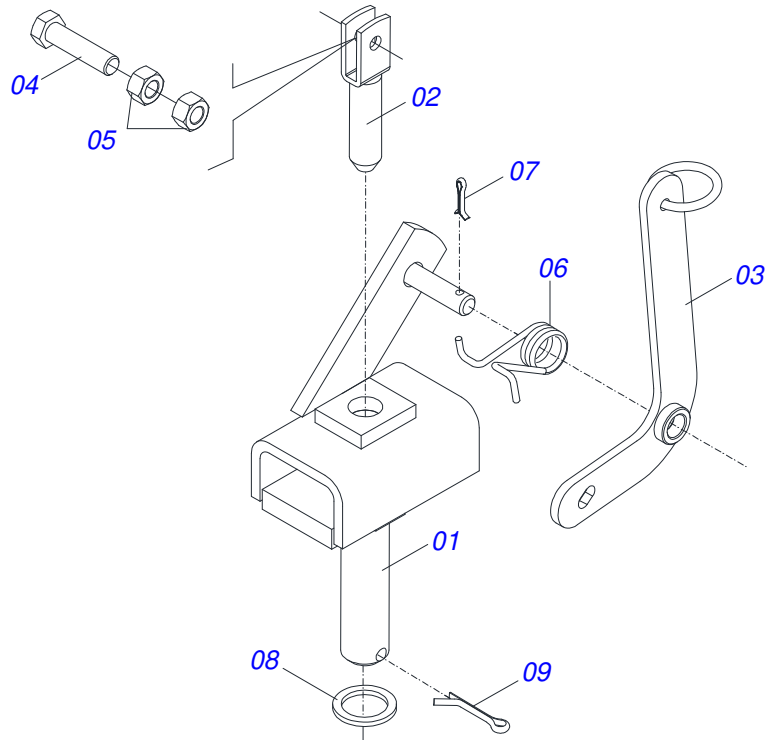


Item	Code	Description	See page	QT
001	0501013208	ADJUSTMENT BAR		01
002	0501060434	BEATER BOX		01
003	0521010572	0.9" X 2.9" COUPLING SHAFT		01
004	0503030085	LOCK PIN		01

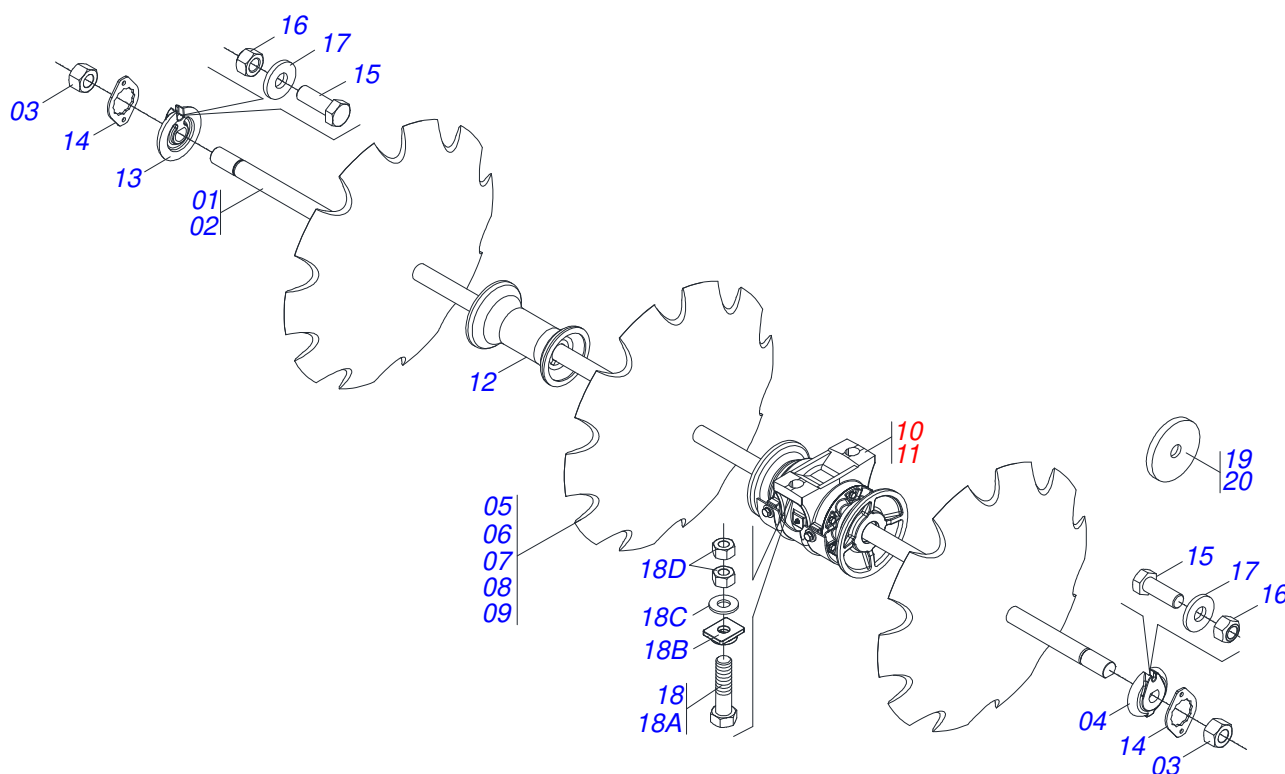


Item	Code	Description	See page	QT
001	0501013284	ADJUSTMENT BAR		01
002	0501060434	BEATER BOX		01
003	0521010573	0.9" X 3.1" COUPLING SHAFT		01
004	0503010571	1/4" X 1.1/2 COTTERPIN		01

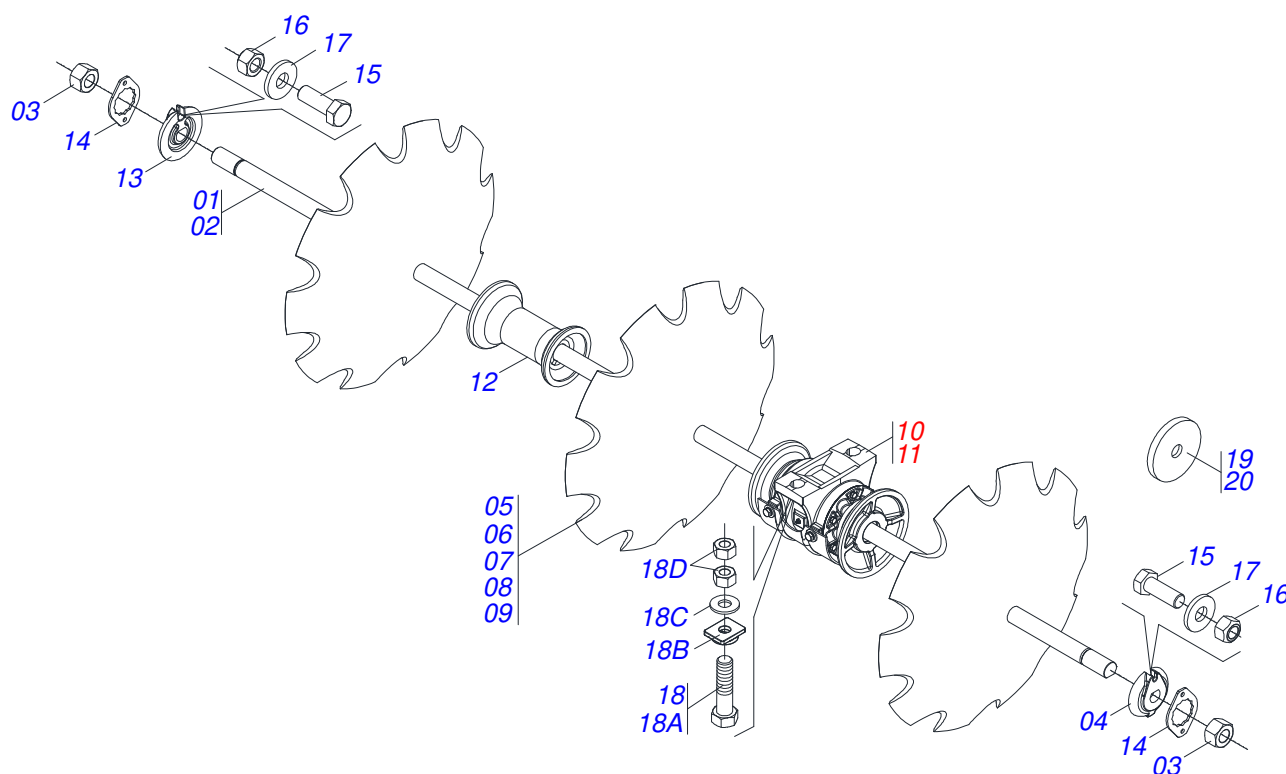




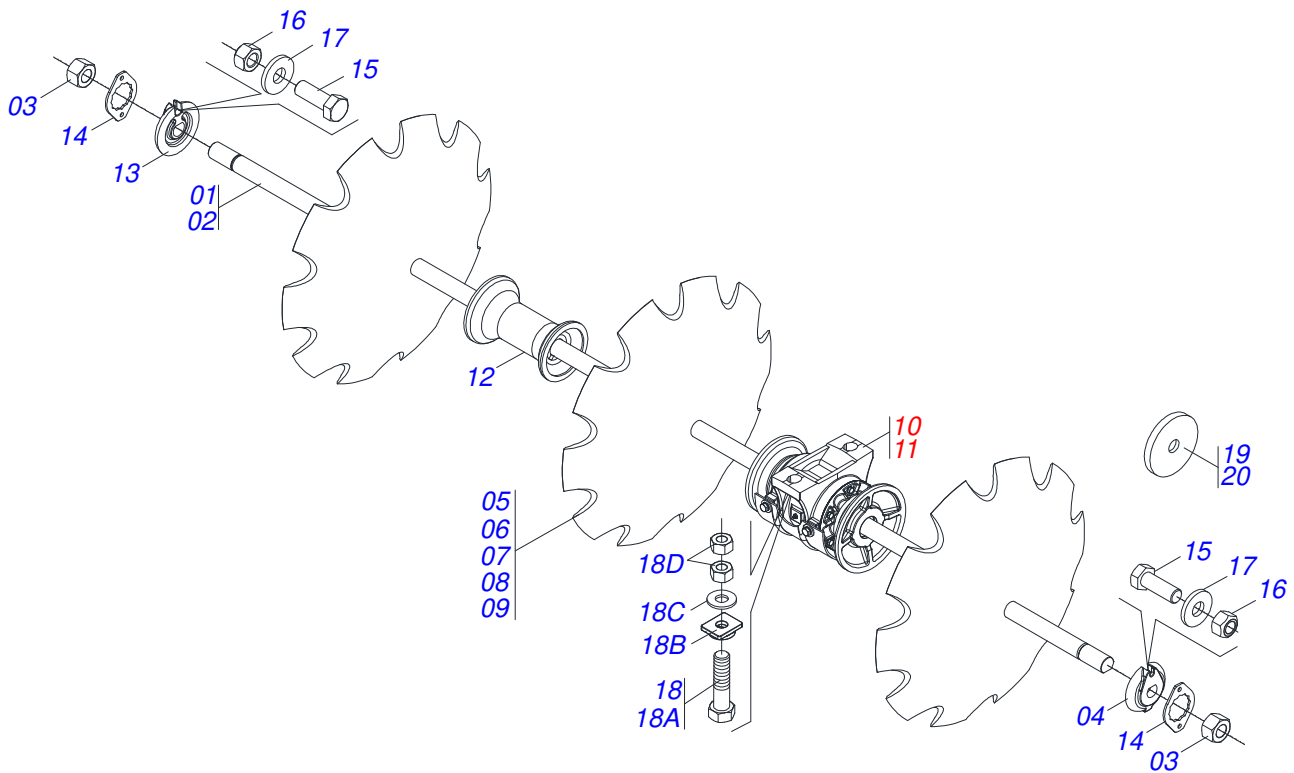
Item	Code	Description	See page	QT
001	0501060314	ADJUSTMENT BOX		01
002	0501060185	ADJUSTMENT LOCK		01
003	0501068981	ADJUSTMENT LEVER		01
004	0501010077	1/2" X 2" BOLT		01
005	0503010060	1/2" NUT		02
006	0503030025	1.4" X 0.2" TORSION SPRING		01
007	0503010071	3/16" X 1" COTTERPIN		01
008	0501010237	FLAT WASHER		01
009	0503010010	1/4" X 2.1/2" COTTERPIN		01



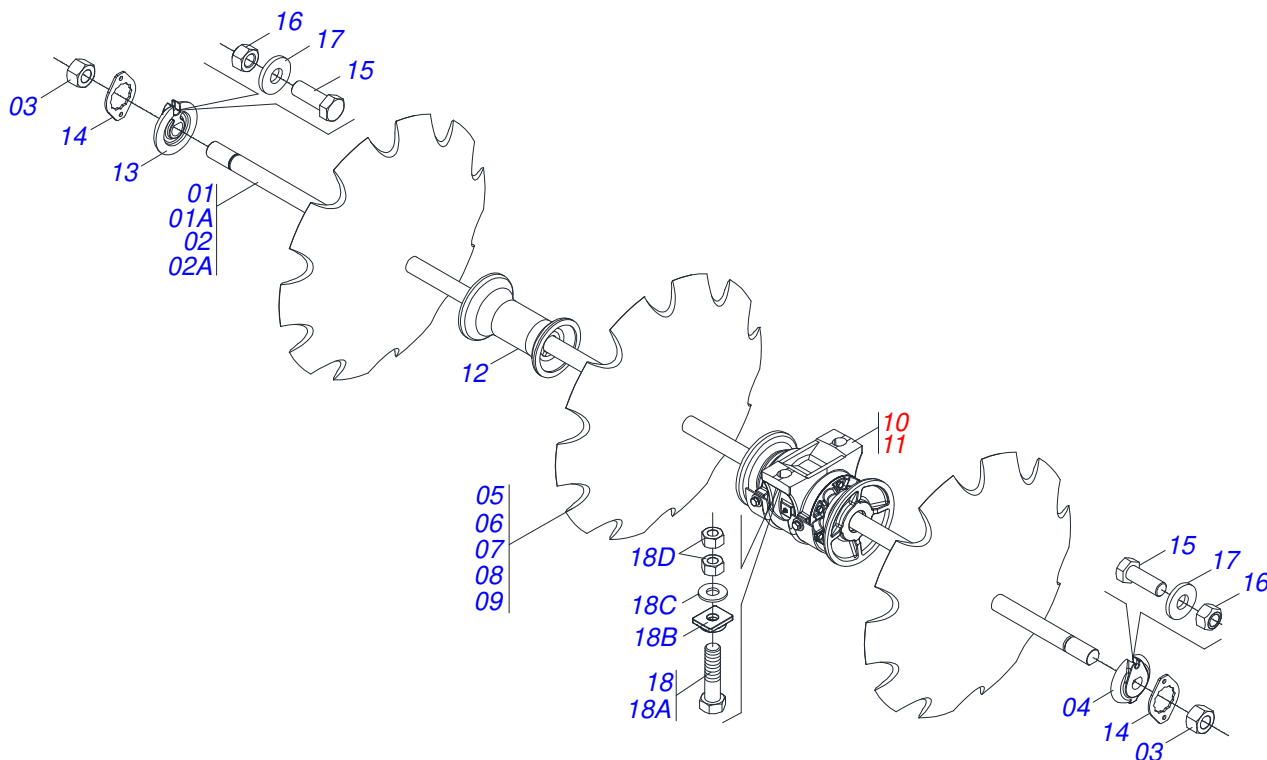
Item	Code	Description	See page	QT
01	0511042123	2-1/8" X 76" AXLE WITH NUTS		02
02	0501013759	2-1/8" X 76" AXLE		02
03	0502040063	2.1/8" X 54 99 NUT		04
04	0502010594	2-1/8" EXTERNAL AXLE WASHER		02
05	0602037002	28" X 0.3" NOTCHED DISC BLADE		12
06	0602040001	30" X 0.3" NOTCHED DISC BLADE		12
07	0602040070	32" X 9 NOTCHED DISC BLADE		12
08	0602044001	32" X 0.3" NOTCHED DISC BLADE		12
09	0602046013	34" X 0.3" NOTCHED DISC BLADE		12
10	0501046917	13" X 2-1/8" PR BEARING ASSY	22	02
11	0501046926	330MM X 2-1/8" RD. OIL BATH BEARING	23	02
12	0502010643	13" 2-1/8" SPACER		06
13	0502010595	2-1/8" INNER AXLE WASHER		02
14	0541010368	NUT LOCK		04
15	0503010233	5/8" X 2-1/2" BOLT		08
16	0503010013	5/8" NUT		08
17	0501012140	FLAT WASHER		08
18	0501042139	1" X 4.3" ASSY BOLT		08
18A	0501011547	1" X 4-1/2" BOLT		08
18B	0502012861	1" SQUARE WASHER		08
18C	0541010210	FLAT WASHER		08
18D	0501010059	1.5/8 NUT		16
19	0511015812	230 SPACER FLANGE		02
20	0511015813	200 SPACER FLANGE		02



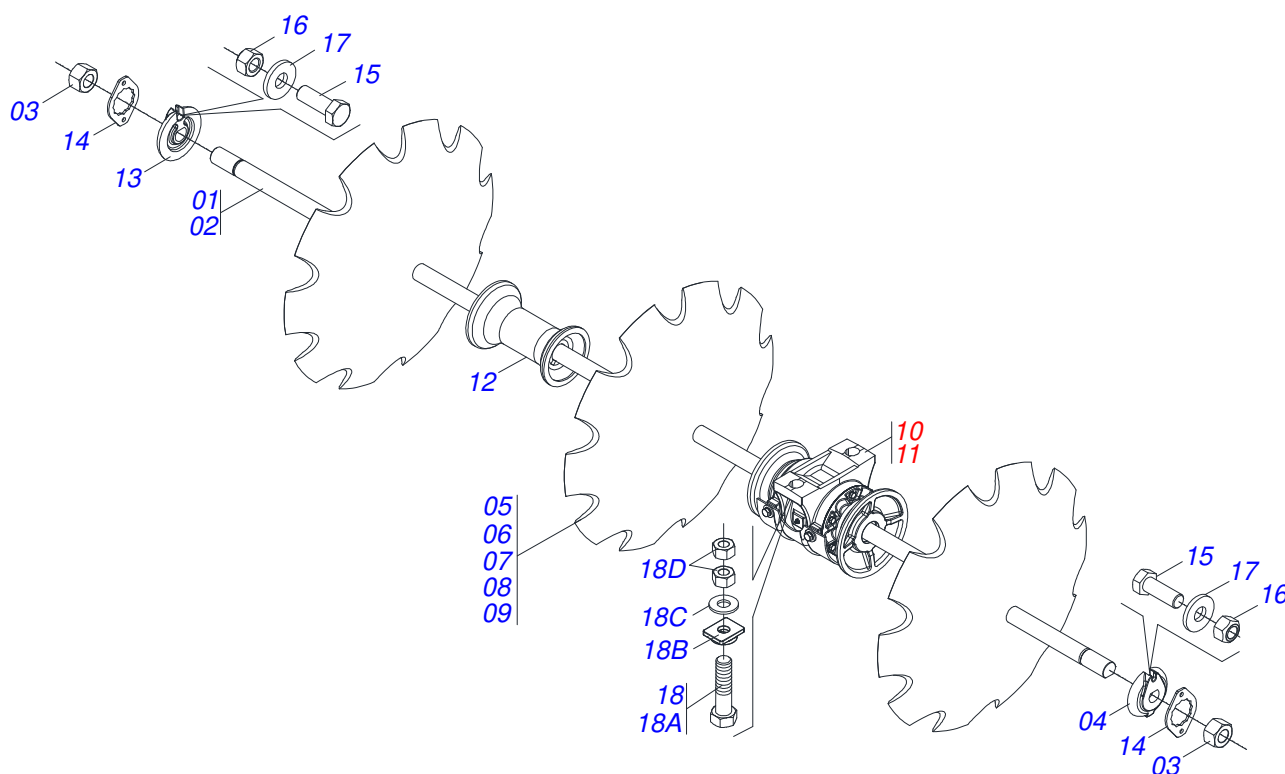
Item	Code	Description	See page	QT
01	0501041514	2-1/8" X 8.9" AXLE WITH NUTS		02
02	0501013760	2-1/8" X 8.9" AXLE		02
03	0502040063	2.1/8" X 54 99 NUT		04
04	0502010594	2-1/8" EXTERNAL AXLE WASHER		02
05	0602037002	28" X 0.3" NOTCHED DISC BLADE		14
06	0602040001	30" X 0.3" NOTCHED DISC BLADE		14
07	0602040070	32" X 9 NOTCHED DISC BLADE		14
08	0602044001	32" X 0.3" NOTCHED DISC BLADE		14
09	0602046013	34" X 0.3" NOTCHED DISC BLADE		14
10	0501046917	13" X 2-1/8" PR BEARING ASSY	22	02
11	0501046926	330MM X 2-1/8" RD. OIL BATH BEARING	23	02
12	0502010643	13" 2-1/8" SPACER		08
13	0502010595	2-1/8" INNER AXLE WASHER		02
14	0541010368	NUT LOCK		04
15	0503010233	5/8" X 2-1/2" BOLT		08
16	0503010013	5/8" NUT		08
17	0501012140	FLAT WASHER		08
18	0501042139	1" X 4.3" ASSY BOLT		08
18A	0501011547	1" X 4-1/2" BOLT		08
18B	0502012861	1" SQUARE WASHER		08
18C	0541010210	FLAT WASHER		08
18D	0501010059	1.5/8 NUT		16
19	0511015812	230 SPACER FLANGE		02
20	0511015813	200 SPACER FLANGE		02



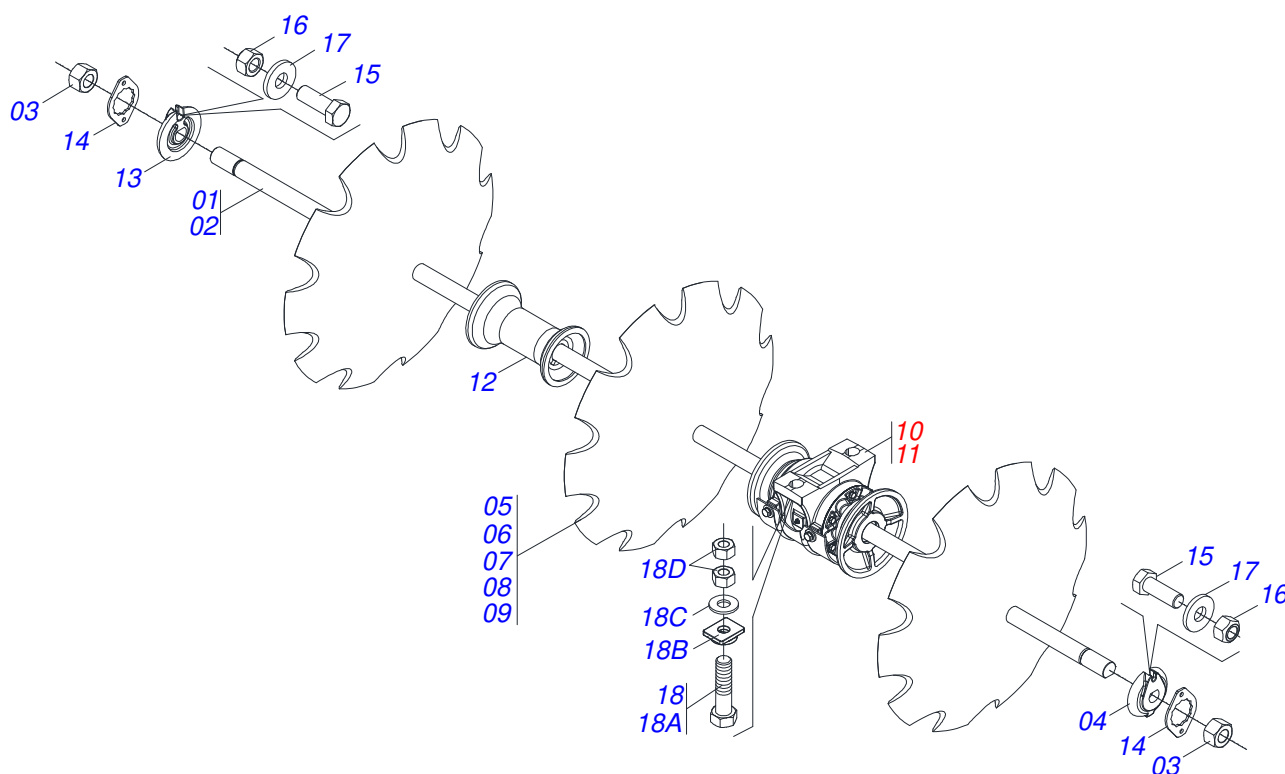
Item	Code	Description	See page	QT
01	0501041515	2-1/8" X 102" AXLE WITH NUTS		02
02	0501013761	2-1/8" X 102" AXLE		02
03	0502040063	2.1/8" X 54 99 NUT		04
04	0502010594	2-1/8" EXTERNAL AXLE WASHER		02
05	0602037002	28" X 0.3" NOTCHED DISC BLADE		16
06	0602040001	30" X 0.3" NOTCHED DISC BLADE		16
07	0602040070	32" X 9 NOTCHED DISC BLADE		16
08	0602044001	32" X 0.3" NOTCHED DISC BLADE		16
09	0602046013	34" X 0.3" NOTCHED DISC BLADE		16
10	0501046917	13" X 2-1/8" PR BEARING ASSY	22	03
11	0501046926	330MM X 2-1/8" RD. OIL BATH BEARING	23	03
12	0502010643	13" 2-1/8" SPACER		08
13	0502010595	2-1/8" INNER AXLE WASHER		02
14	0541010368	NUT LOCK		04
15	0503010233	5/8" X 2-1/2" BOLT		08
16	0503010013	5/8" NUT		08
17	0501012140	FLAT WASHER		08
18	0501042139	1" X 4.3" ASSY BOLT		12
18A	0501011547	1" X 4-1/2" BOLT		12
18B	0502012861	1" SQUARE WASHER		12
18C	0541010210	FLAT WASHER		12
18D	0501010059	1.5/8 NUT		24
19	0511015812	230 SPACER FLANGE		02
20	0511015813	200 SPACER FLANGE		02



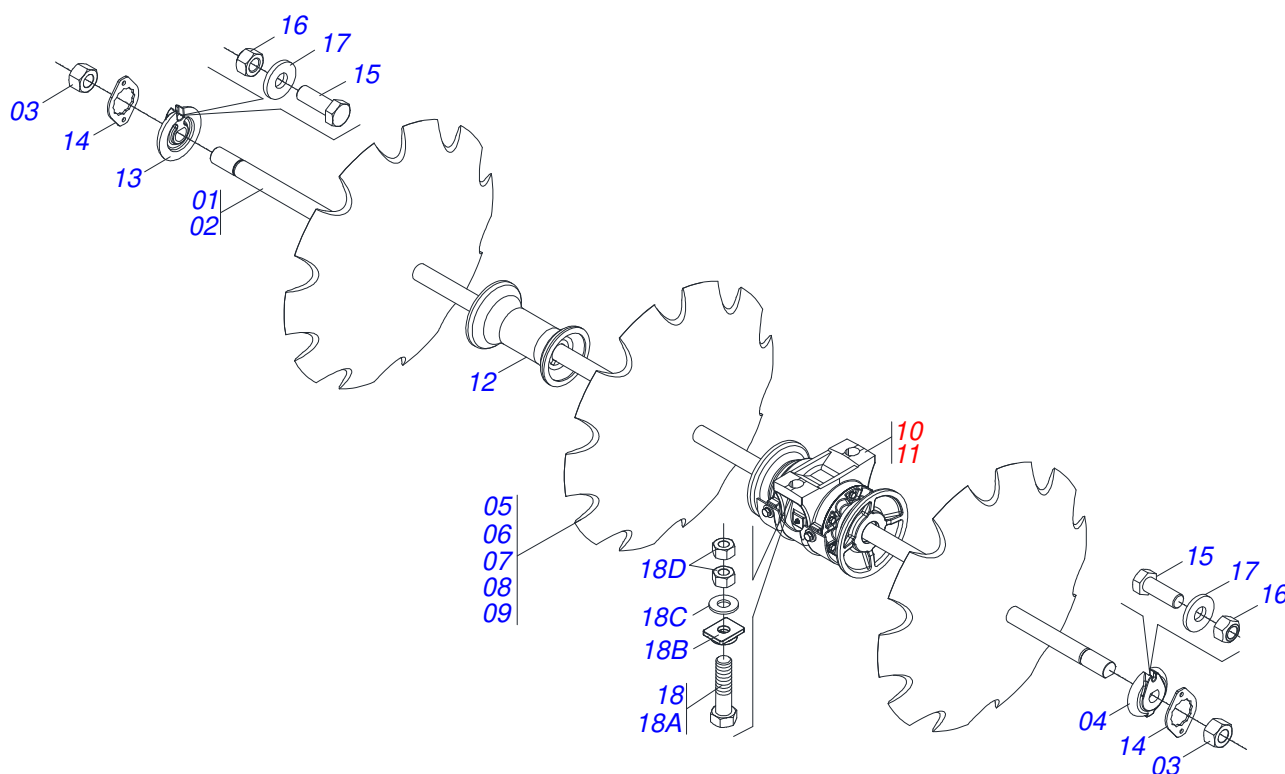
Item	Code	Description	See page	QT
01	0501041516	2-1/8" X 49" AXLE WITH NUTS		02
01A	0501013757	2-1/8" X 49" AXLE		02
02	0501041497	2-1/8 X 63" AXLE WITH NUTS		02
02A	0501013758	2-1/8" X 63" AXLE		02
03	0502040063	2.1/8" X 54 99 NUT		08
04	0502010594	2-1/8" EXTERNAL AXLE WASHER		02
05	0602037002	28" X 0.3" NOTCHED DISC BLADE		18
06	0602040001	30" X 0.3" NOTCHED DISC BLADE		18
07	0602040070	32" X 9 NOTCHED DISC BLADE		18
08	0602044001	32" X 0.3" NOTCHED DISC BLADE		18
09	0602046013	34" X 0.3" NOTCHED DISC BLADE		18
10	0501046917	13" X 2-1/8" PR BEARING ASSY	22	03
11	0501046926	330MM X 2-1/8" RD. OIL BATH BEARING	23	03
12	0502010643	13" 2-1/8" SPACER		06
13	0502010595	2-1/8" INNER AXLE WASHER		04
14	0541010368	NUT LOCK		08
15	0503010233	5/8" X 2-1/2" BOLT		16
16	0503010013	5/8" NUT		16
17	0501012140	FLAT WASHER		16
18	0501042139	1" X 4.3" ASSY BOLT		16
18A	0501011547	1" X 4-1/2" BOLT		16
18B	0502012861	1" SQUARE WASHER		16
18C	0541010210	FLAT WASHER		16
18D	0501010059	1.5/8 NUT		32



Item	Code	Description	See page	QT
01	0501041497	2-1/8 X 63" AXLE WITH NUTS		04
02	0501013758	2-1/8" X 63" AXLE		04
03	0502040063	2.1/8" X 54 99 NUT		08
04	0502010594	2-1/8" EXTERNAL AXLE WASHER		04
05	0602037002	28" X 0.3" NOTCHED DISC BLADE		20
06	0602040001	30" X 0.3" NOTCHED DISC BLADE		20
07	0602040070	32" X 9 NOTCHED DISC BLADE		20
08	0602044001	32" X 0.3" NOTCHED DISC BLADE		20
09	0602046013	34" X 0.3" NOTCHED DISC BLADE		20
10	0501046917	13" X 2-1/8" PR BEARING ASSY	22	04
11	0501046926	330MM X 2-1/8" RD. OIL BATH BEARING	23	04
12	0502010643	13" 2-1/8" SPACER		08
13	0502010595	2-1/8" INNER AXLE WASHER		04
14	0541010368	NUT LOCK		08
15	0503010233	5/8" X 2-1/2" BOLT		16
16	0503010013	5/8" NUT		16
17	0501012140	FLAT WASHER		16
18	0501042139	1" X 4.3" ASSY BOLT		16
18A	0501011547	1" X 4-1/2" BOLT		16
18B	0502012861	1" SQUARE WASHER		16
18C	0541010210	FLAT WASHER		16
18D	0501010059	1.5/8 NUT		32

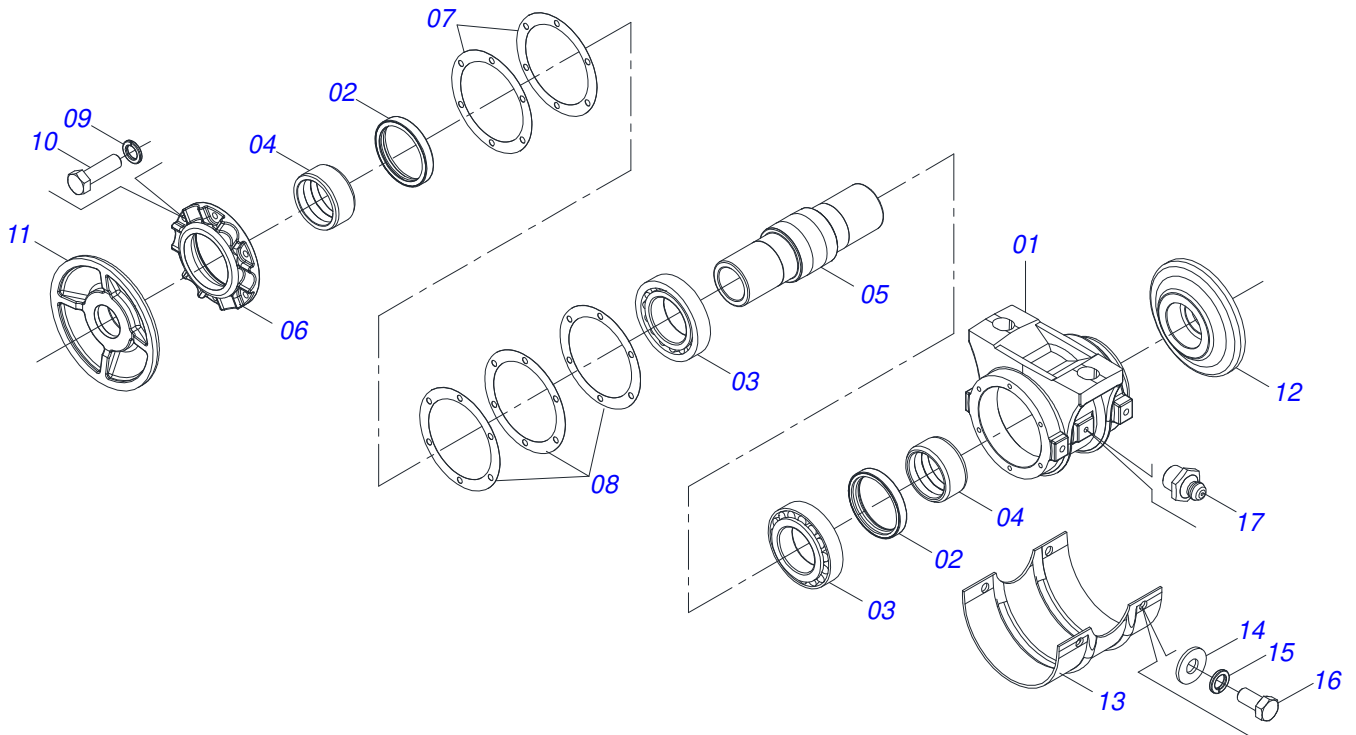


Item	Code	Description	See page	QT
01	0511042123	2-1/8" X 76" AXLE WITH NUTS		04
02	0501013759	2-1/8" X 76" AXLE		04
03	0502040063	2.1/8" X 54 99 NUT		08
04	0502010594	2-1/8" EXTERNAL AXLE WASHER		04
05	0602037002	28" X 0.3" NOTCHED DISC BLADE		24
06	0602040001	30" X 0.3" NOTCHED DISC BLADE		24
07	0602040070	32" X 9 NOTCHED DISC BLADE		24
08	0602044001	32" X 0.3" NOTCHED DISC BLADE		24
09	0602046013	34" X 0.3" NOTCHED DISC BLADE		24
10	0501046917	13" X 2-1/8" PR BEARING ASSY	22	04
11	0501046926	330MM X 2-1/8" RD. OIL BATH BEARING	23	04
12	0502010643	13" 2-1/8" SPACER		12
13	0502010595	2-1/8" INNER AXLE WASHER		04
14	0541010368	NUT LOCK		08
15	0503010233	5/8" X 2-1/2" BOLT		16
16	0503010013	5/8" NUT		16
17	0501012140	FLAT WASHER		16
18	0501042139	1" X 4.3" ASSY BOLT		16
18A	0501011547	1" X 4-1/2" BOLT		16
18B	0502012861	1" SQUARE WASHER		16
18C	0541010210	FLAT WASHER		16
18D	0501010059	1.5/8 NUT		32

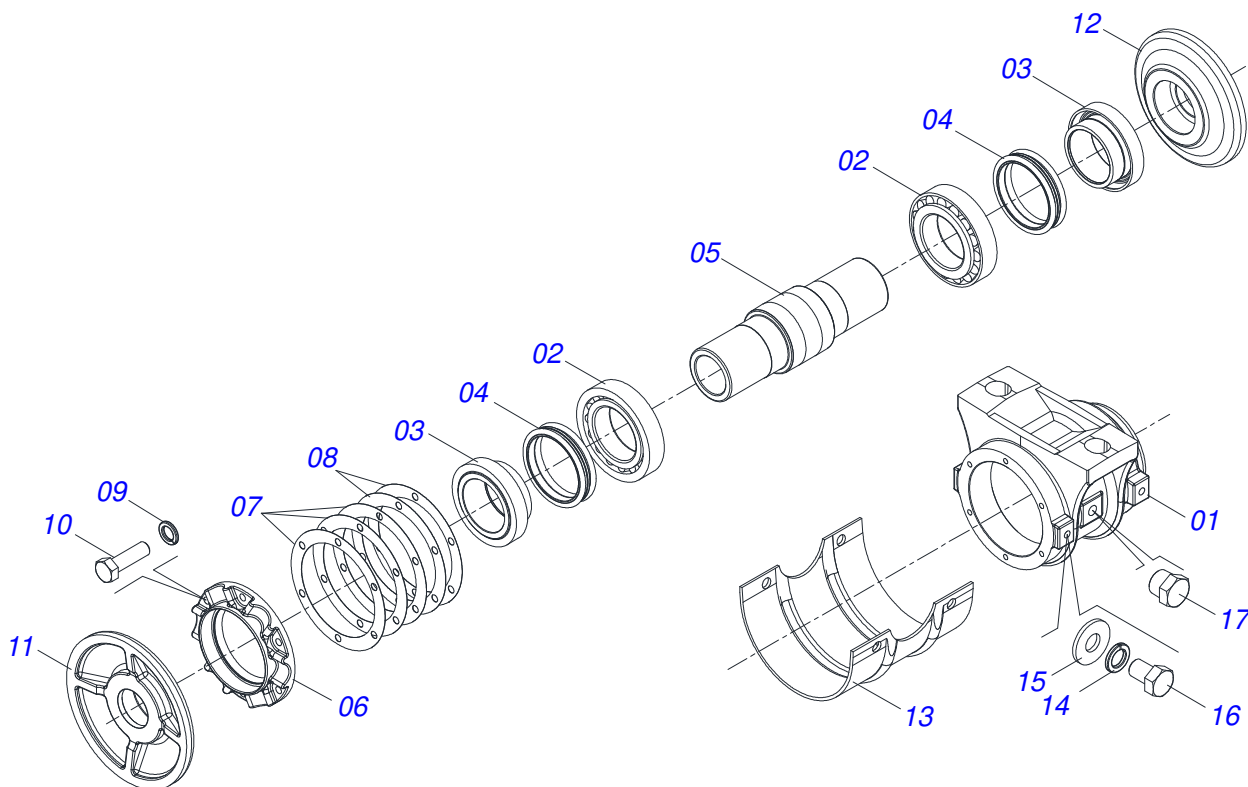


Item	Code	Description	See page	QT
01	0501041497	2-1/8 X 63" AXLE WITH NUTS		06
02	0501013758	2-1/8" X 63" AXLE		06
03	0502040063	2.1/8" X 54 99 NUT		12
04	0502010594	2-1/8" EXTERNAL AXLE WASHER		06
05	0602037002	28" X 0.3" NOTCHED DISC BLADE		30
06	0602040001	30" X 0.3" NOTCHED DISC BLADE		30
07	0602040070	32" X 9 NOTCHED DISC BLADE		30
08	0602044001	32" X 0.3" NOTCHED DISC BLADE		30
09	0602046013	34" X 0.3" NOTCHED DISC BLADE		30
10	0501046917	13" X 2-1/8" PR BEARING ASSY	22	06
11	0501046926	330MM X 2-1/8" RD. OIL BATH BEARING	23	06
12	0502010643	13" 2-1/8" SPACER		12
13	0502010595	2-1/8" INNER AXLE WASHER		06
14	0541010368	NUT LOCK		12
15	0503010233	5/8" X 2-1/2" BOLT		24
16	0503010013	5/8" NUT		24
17	0511017302	FLAT WASHER		24
18	0501042139	1" X 4.3" ASSY BOLT		24
18A	0501011547	1" X 4-1/2" BOLT		24
18B	0502012861	1" SQUARE WASHER		24
18C	0541010210	FLAT WASHER		24
18D	0501010059	1.5/8 NUT		48

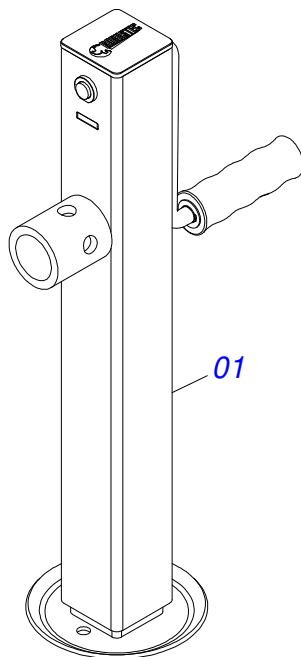




Item	Code	Description	See page	QT
001	0502010739	HOUSING CM		01
002	0503010094	02060-GB SEAL		02
003	0503010117	32216 ROLLER BEARING		02
004	0521010488	SPACER		02
005	0502040034	BEARING AXLE		01
006	0502010661	HOUSING CAP CM		01
007	0503030686	7.1" X 5.5" X 0.004" JOINT		02
008	0503030536	7.1" X 5.5" X 0.01" JOINT		03
009	0503011443	3/8" SPRING WASHER		06
010	0503010751	C3/8" X 1.1/4" HEX BOLT G.5		06
011	0502040260	OUTER FLANGE		01
012	0502040261	INNER FLANGE		01
013	0511013169	PROTECTION COVER BEARING		01
014	0511017302	FLAT WASHER		04
015	0503010019	1/2" SPRING WASHER		04
016	0503010834	1/2 X 1 BOLT		04
017	0503010002	1800 GREASE FITTING		02



Item	Code	Description	See page	QT
001	0502010742	HOUSING DM		01
002	0503010117	32216 ROLLER BEARING		02
003	0502040123	SEAL RETAINER		02
004	0503030028	JB-257 SEAL		02
005	0502040034	BEARING AXLE		01
006	0502010645	HOUSING CAP DM		01
007	0503030536	7.1" X 5.5" X 0.01" JOINT		03
008	0503030686	7.1" X 5.5" X 0.004" JOINT		02
009	0503011443	3/8" SPRING WASHER		06
010	0503010751	C3/8" X 1.1/4" HEX BOLT G.5		06
011	0502040260	OUTER FLANGE		01
012	0502040261	INNER FLANGE		01
013	0511013169	PROTECTION COVER BEARING		01
014	0503010019	1/2" SPRING WASHER		04
015	0511017302	FLAT WASHER		04
016	0503011401	1/2" X 3/4" BOLT		04
017	0503010856	OIL PLUG		02



Item	Code	Description	See page	QT
01	0503062157	HEADER JACK	24	01





[www.marchesan.com.br](http://www.marchesan.com.br)



**Technical Publications | Elaboration and Revision**  
MARINA PEREZ NIZA