

# PARTS CATALOGUE



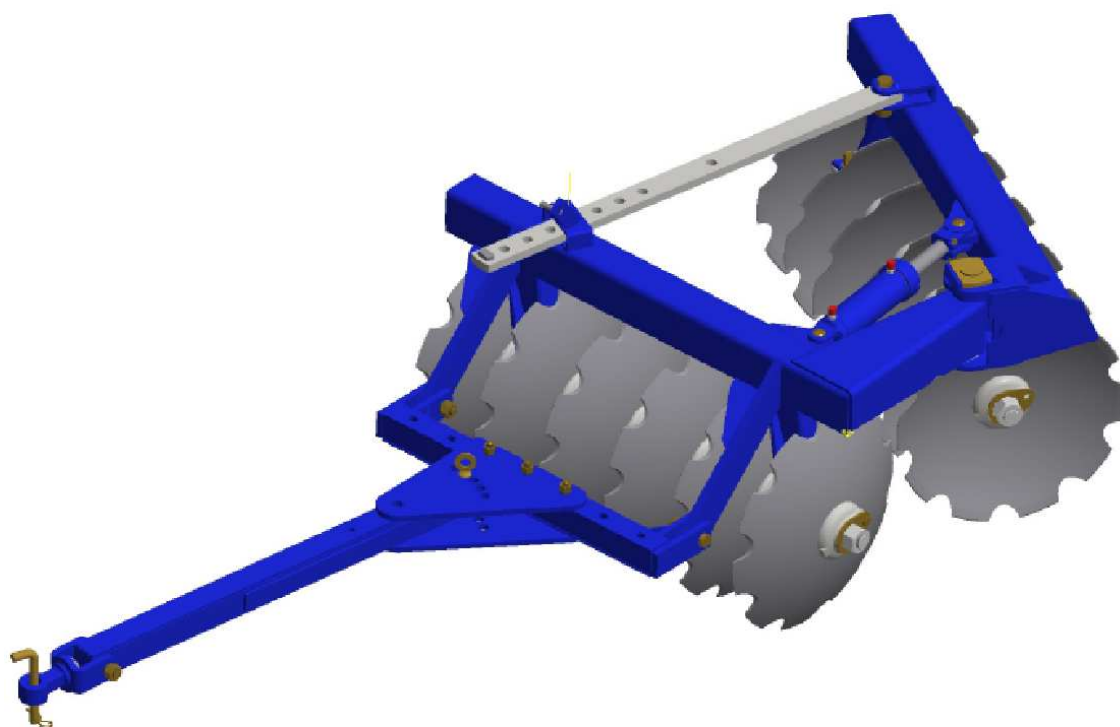
## OFFSET DISK HARROW

**Code:**

0501092181

**Product:**

GA WITH PA



**Series:**

S-0989

**Revision:**

00

**Date Revision:**

MARÇO/2018



# PRODUCTS

Code	Description
0102010327	GA 12 X 24 X 4,75 DM PA S-0989
0102010258	GA 12 X 24 X 6,00 CM PA S-0989
0102010271	GA 12 X 24 X 6,00 DM PA S-0989
0102010293	GA 12 X 26 X 6,00 CM PA S-0989
0102010306	GA 12 X 26 X 6,00 DM PA S-0989
0102010324	GA 14 X 24 X 4,75 CM PA S-0989
0102010328	GA 14 X 24 X 4,75 DM PA S-0989
0102010259	GA 14 X 24 X 6,00 CM PA S-0989
0102010272	GA 14 X 24 X 6,00 DM PA S-0989
0102010294	GA 14 X 26 X 6,00 CM PA S-0989
0102010307	GA 14 X 26 X 6,00 DM PA S-0989
0102010322	GA 14 X 26 X 6,00 DM PA S/CIL S989
0102010363	GA 14 X 28 X 6,00 CM PA S-0989
0102010097	GA 14 X 28 X 6,00 DM PA S-0989
0102010325	GA 16 X 24 X 4,75 CM PA S-0989
0102010329	GA 16 X 24 X 4,75 DM PA S-0989
0102010260	GA 16 X 24 X 6,00 CM PA S-0989
0102010273	GA 16 X 24 X 6,00 DM PA S-0989
0102010295	GA 16 X 26 X 6,00 CM PA S-0989
0102010308	GA 16 X 26 X 6,00 DM PA S-0989
0102010305	GA 16 X 26 X 6,00 DM PA S/CIL S989
0102010368	GA 16 X 28 X 6,00 DM PA S-0989
0102010261	GA 18 X 24 X 6,00 CM PA S-0989
0102010274	GA 18 X 24 X 6,00 DM PA S-0989
0102010296	GA 18 X 26 X 6,00 CM PA S-0989
0102010309	GA 18 X 26 X 6,00 DM PA S-0989
0102010330	GA 18 X 28 X 6,00 CM PA S-0989
0102010262	GA 20 X 24 X 6,00 CM PA S-0989
0102010275	GA 20 X 24 X 6,00 DM PA S-0989
0102010297	GA 20 X 26 X 6,00 CM PA S-0989

## ATTENTION: IMPORTANT

Marchesan S.A. reserves the right to improve and / or modify the technical features of its products, without obligation to do the same with those products already sold and without prior knowledge of the dealer or the consumer.



# PRODUCTS

0102010310	GA 20 X 26 X 6,00 DM PA S-0989
0102010331	GA 20 X 28 X 6,00 CM PA S-0989
0102010346	GA 20 X 28 X 6,00 DM PA S-0989
0102010263	GA 22 X 24 X 6,00 CM PA S-0989
0102010276	GA 22 X 24 X 6,00 DM PA S-0989
0102010298	GA 22 X 26 X 6,00 CM PA S-0989
0102010311	GA 22 X 26 X 6,00 DM PA S-0989
0102010332	GA 22 X 28 X 6,00 CM PA S-0989
0102010360	GA 22 X 28 X 6,00 DM PA S-0989
0102010264	GA 24 X 24 X 6,00 CM PA S-0989
0102010277	GA 24 X 24 X 6,00 DM PA S-0989
0102010299	GA 24 X 26 X 6,00 CM PA S-0989
0102010312	GA 24 X 26 X 6,00 DM PA S-0989
0102010333	GA 24 X 28 X 6,00 CM PA S-0989
0102010357	GA 24 X 28 X 6,00 DM PA S-0989
0102010359	GA 28 X 28 X 6,00 DM PA S-0989

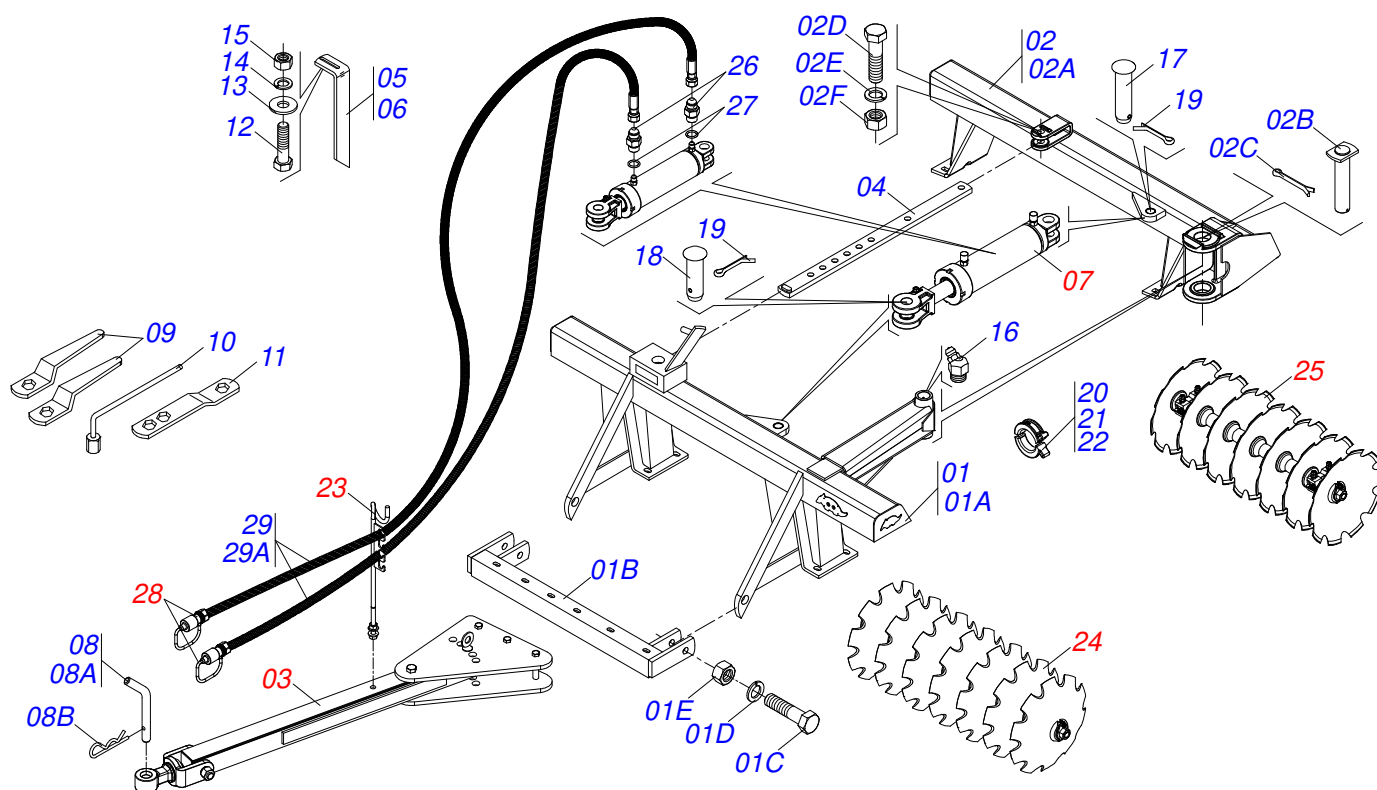
## ATTENTION: IMPORTANT

Marchesan S.A. reserves the right to improve and / or modify the technical features of its products, without obligation to do the same with those products already sold and without prior knowledge of the dealer or the consumer.



# INDEX

0909093811	12/14/16D - ASSY FRAME	.....	1
0909093818	18/20/22/24D - ASSY FRAME	.....	2
0909093819	28D - ASSY FRAME	.....	3
0501042816	ASSY TRACTION BAR	.....	4
0501042882	GA 28 ASSY DRAWBAR	.....	5
0511058424	HYDRAULIC CYLINDER	.....	6
0511059156	HYDRAULIC CYLINDER	.....	7
0501040257	3/4 X 1200 HOSE HOLDER A	.....	8
0909093812	12/14/16D - FRONT DISC SECTION	.....	9
0909093813	12/14/16D - REAR DISC SECTION	.....	10
0909093820	18D - FRONT DISC SECTION	.....	11
0909093821	18D - REAR DISC SECTION	.....	12
0909093822	20/22/24D - FRONT DISC SECTION	.....	13
0909093823	20/22/24D - REAR DISC SECTION	.....	14
0909093825	28D - FRONT DISC SECTION	.....	15
0909093826	28D - REAR DISC SECTION	.....	16
0501046923	9"X 1-5/8" OIL BATH BEARING	.....	17
0501046914	CM GX 9" 1-5/8" SD PR BEARING ASSY	.....	18
0501053834	MALE QUICK COUPLER WITH CAP - 1/2 NPT	.....	19

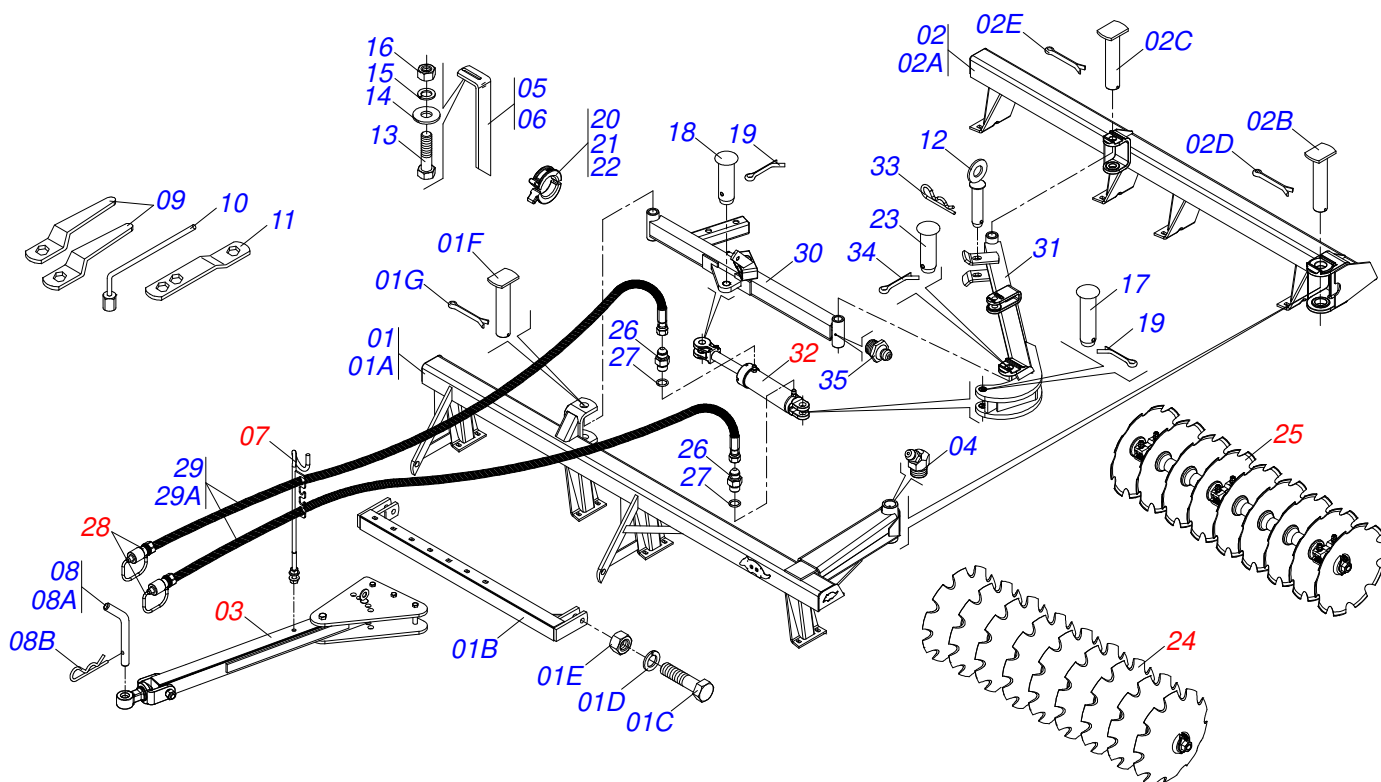


Item	Code	Description	See page	12	14	16
01	0501047597	FRONT FRAME ASSY		01	00	00
01.	0501047598	ASSY FRONT FRAME		00	01	00
01..	0501047599	ASSY FRONT FRAME		00	00	01
01A	0501062201	FRONT FRAME		01	00	00
01A.	0501062202	FRONT FRAME		00	01	00
01A..	0501063237	FRONT FRAME		00	00	01
01B	0501064203	OFFSET BAR		01	00	00
01B.	0501064204	OFFSET BAR		00	01	00
01B..	0501064202	OFFSET BAR		00	00	01
01C	0501011547	1" X 4-1/2" BOLT		02	02	02
01D	0503011438	SPRING WASHER		02	02	02
01E	0501010059	1.5/8 NUT		02	02	02
02	0501042740	REAR FRAME		01	00	00
02.	0501042741	REAR FRAME		00	01	00
02..	0501042742	REAR FRAME		00	00	01
02A	0501062204	REAR FRAME		01	00	00
02A.	0501062569	REAR FRAME		00	01	00
02A..	0501062810	REAR FRAME		00	00	01
02B	0501065487	2.4" X 123" COUPLING SHAFT		01	01	01
02C	0503010073	3/8 X 3-1/2 COTTERPIN		01	01	01
02D	0503011432	BOLT		01	01	01
02E	0503011438	SPRING WASHER		01	01	01
02F	0501010059	1.5/8 NUT		01	01	01
03	0501042816	ASSY TRACTION BAR	4	01	01	01
04	0501064196	ADJUSTMENT BAR		01	00	00
04.	0501064198	ADJUSTMENT BAR		00	01	01
05	0501064168	REAR SCRAPER		03	04	04
06	0501064167	REAR SCRAPER		03	04	04
07	0511058424	HYDRAULIC CYLINDER	6	01	01	01
08	0501040343	DRAWBOLT ASSY		01	01	01
08A	0521010453	AXI SHAFT		01	01	01



GA WITH PA  
12/14/16D - ASSY FRAME

Item	Code	Description	See page	12	14	16
08B	0503031035	HAIR PIN		01	01	01
09	0501011431	1-3/4" GANG BOLT WRENCH		02	02	02
10	0503016140	3/4" WRENCH CABLE CYLINDRICAL		01	01	01
11	0511018451	5/8" X 3/4" X 1" UNIVERSAL		01	01	01
12	0503011082	C1/2" X 1.3/4" SCREW		12	16	16
13	0511017302	FLAT WASHER		12	16	16
14	0503010019	1/2" SPRING WASHER		12	16	16
15	0503010060	1/2" NUT		12	16	16
16	0503010003	1845 GREASE FITTING		01	01	01
17	0521010546	1.2" X 5.7" COUPLING SHAFT		01	01	01
18	0521012538	1.2" X 3.5" COUPLING SHAFT		01	01	01
19	0503010571	1/4" X 1.1/2 COTTERPIN		02	02	02
20	0501047895	ROD STOP		03	03	03
21	0501047886	ROD STOP		01	01	01
22	0501047888	ROD STOP		01	01	01
23	0501040257	3/4 X 1200 HOSE HOLDER A	8	01	01	01
24	0909093812	12/14/16D - FRONT DISC SECTION	9	01	01	01
25	0909093813	12/14/16D - REAR DISC SECTION	10	01	01	01
26	0501010617	3/4" NIPPLE		02	02	02
27	0503010190	2-114 N 3006-9B O'RING		02	02	02
28	0501053834	MALE QUICK COUPLER WITH CAP - 1/2 NPT	19	02	02	02
29	0501051040	HOSE ASSY		01	01	01
29A	0501080361	3/8" X 157" TR-TM HOSE		02	02	02

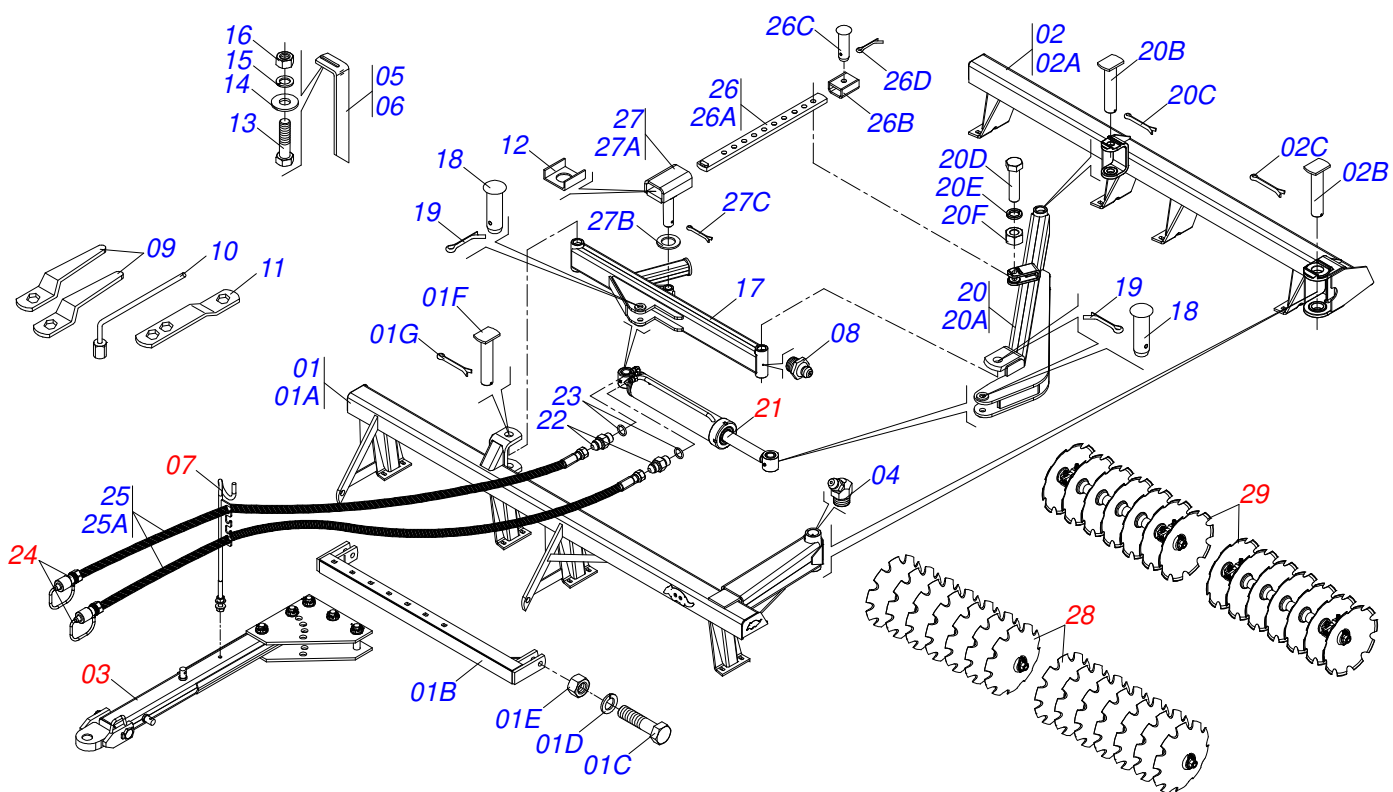


Item	Code	Description	See page	18	20	22	24
01	0501042640	FRONT FRAME ASSY		01	00	00	00
01.	0501042642	FRONT FRAME ASSY		00	01	00	00
01..	0501042644	FRONT FRAME ASSY		00	00	01	00
01...	0501042646	FRONT FRAME ASSY		00	00	00	01
01A	0501063240	FRONT FRAME		01	00	00	00
01A.	0501062515	FRONT FRAME		00	01	00	00
01A..	0501062343	FRONT FRAME		00	00	01	00
01A...	0501062499	FRONT FRAME		00	00	00	01
01B	0501064203	OFFSET BAR		01	00	00	00
01B.	0501064204	OFFSET BAR		00	01	00	00
01B..	0501064205	OFFSET BAR		00	00	01	01
01C	0501011547	1" X 4-1/2" BOLT		02	02	02	02
01D	0503011438	SPRING WASHER		02	02	02	02
01E	0501010059	1.5/8 NUT		02	02	02	02
01F	0521010644	1.5" X 8.4" COUPLING SHAFT		01	01	01	01
01G	0503010534	3/8 X 2-1/2 COTTERPIN		01	01	01	01
02	0501042641	REAR GANG FRAME		01	00	00	00
02.	0501042643	REAR FRAME ASSY		00	01	00	00
02..	0501042645	REAR FRAME ASSY		00	00	01	00
02...	0501042647	REAR FRAME ASSY		00	00	00	01
02A	0501062792	REAR FRAME		01	00	00	00
02A.	0501062514	REAR FRAME		00	01	00	00
02A..	0501062315	REAR FRAME		00	00	01	00
02A...	0501062512	REAR FRAME		00	00	00	01
02B	0501065487	2.4" X 123" COUPLING SHAFT		01	01	01	01
02C	0521010644	1.5" X 8.4" COUPLING SHAFT		01	01	01	01
02D	0503010073	3/8 X 3-1/2 COTTERPIN		01	01	00	00
02E	0503010534	3/8 X 2-1/2 COTTERPIN		01	01	02	02
03	0501042816	ASSY TRACTION BAR	4	01	01	01	01
04	0503010003	1845 GREASE FITTING		01	01	01	01
05	0501064168	REAR SCRAPER		05	05	06	07



Item	Code	Description	See page	18	20	22	24
06	0501064167	REAR SCRAPER		05	05	06	07
07	0501040257	3/4 X 1200 HOSE HOLDER A	8	01	01	01	01
08	0501040343	DRAWBOLT ASSY		01	01	01	01
08A	0521010453	AXI SHAFT		01	01	01	01
08B	0503031035	HAIR PIN		01	01	01	01
09	0501011431	1-3/4" GANG BOLT WRENCH		02	02	02	02
10	0503016140	3/4" WRENCH CABLE CYLINDRICAL		01	01	01	01
11	0511018451	5/8" X 3/4" X 1" UNIVERSAL		01	01	01	01
12	0501068993	0.9" X 5.5" COUPLING SHAFT		01	01	01	01
13	0503011082	C1/2" X 1.3/4" SCREW		20	20	24	00
13.	0503010740	BOLT 1/2 UNC X 2 CS G.5 ZN		00	00	00	28
14	0511017302	FLAT WASHER		20	20	20	28
15	0503010019	1/2" SPRING WASHER		20	20	20	28
16	0503010060	1/2" NUT		20	20	20	28
17	0521010546	1.2" X 5.7" COUPLING SHAFT		01	01	02	01
18	0521012538	1.2" X 3.5" COUPLING SHAFT		01	01	01	01
19	0503010571	1/4" X 1.1/2 COTTERPIN		02	02	02	02
20	0501047895	ROD STOP		01	03	03	03
21	0501047886	ROD STOP		01	01	01	01
22	0501047888	ROD STOP		01	01	01	01
23	0521010644	1.5" X 8.4" COUPLING SHAFT		01	01	01	01
24	0909093820	18D - FRONT DISC SECTION	11	01	00	00	00
24.	0909093822	20/22/24D - FRONT DISC SECTION	13	00	01	01	01
25	0909093821	18D - REAR DISC SECTION	12	01	00	00	00
25.	0909093823	20/22/24D - REAR DISC SECTION	14	00	01	01	01
26	0501010617	3/4" NIPPLE		02	02	02	02
27	0503010190	2-114 N 3006-9B O'RING		02	02	02	02
28	0501053834	MALE QUICK COUPLER WITH CAP - 1/2 NPT	19	02	02	02	02
29	0501051040	HOSE ASSY		01	01	01	01
29A	0501080361	3/8" X 157" TR-TM HOSE		02	02	02	02
30	0501062507	FRONT STABILIZER BAR		01	01	01	01
31	0501062509	REAR STABILIZER BAR		01	01	01	01
32	0511058424	HYDRAULIC CYLINDER	6	01	01	01	01
33	0503031035	HAIR PIN		01	01	01	01
34	0503010534	3/8 X 2-1/2 COTTERPIN		01	01	01	01
35	0503010002	1800 GREASE FITTING		03	03	03	03



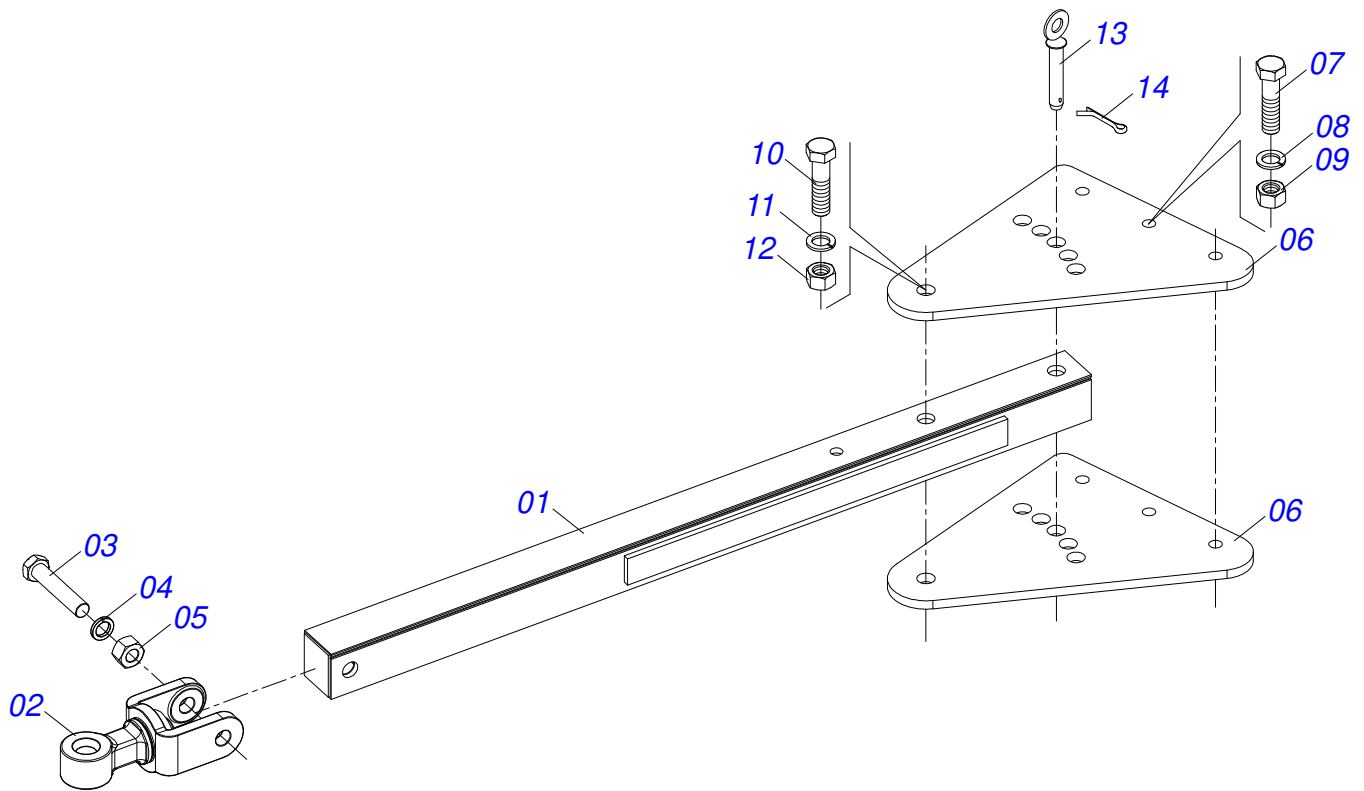


Item	Code	Description	See page	QT
01	0501042885	ASSY FRONT FRAME		01
01A	0501064296	FRONT FRAME		01
01B	0501064308	HITCH BAR		01
01C	0501016416	1-1/2" X 5.4" BOLT		02
01D	0501011301	1.1/2 UNC 6FPP 2.5/16 NUT		02
01E	0503010010	1/4" X 2.1/2" COTTERPIN		02
01F	0501063253	2" X 11.9" COUPLING SHAFT		01
01G	0503010073	3/8 X 3-1/2 COTTERPIN		01
02	0501042892	REAR FRAME		01
02A	0501064302	REAR FRAME		01
02B	0501065487	2.4" X 123" COUPLING SHAFT		01
02C	0503010073	3/8 X 3-1/2 COTTERPIN		01
03	0501042882	GA 28 ASSY DRAWBAR	5	01
04	0503010003	1845 GREASE FITTING		01
05	0501064168	REAR SCRAPER		09
06	0501064167	REAR SCRAPER		09
07	0501040257	3/4 X 1200 HOSE HOLDER A	8	01
08	0503010002	1800 GREASE FITTING		03
09	0501011431	1-3/4" GANG BOLT WRENCH		02
10	0503016140	3/4" WRENCH CABLE CYLINDRICAL		01
11	0511018451	5/8" X 3/4" X 1" UNIVERSAL		01
12	0501011649	U 1.2" X 3.1" X 3/16" BAR		01
13	0503010740	BOLT 1/2 UNC X 2 CS G.5 ZN		36
14	0511017302	FLAT WASHER		36
15	0503010019	1/2" SPRING WASHER		36
16	0503010060	1/2" NUT		36
17	0501060448	FRONT STABILIZER BAR		01
18	0521010546	1.2" X 5.7" COUPLING SHAFT		03
19	0503010523	1/4" X 2" COTTERPIN		03
20	0501040324	REAR STABILIZER BAR ASSY		01
20A	0501060450	REAR STABILIZER BAR ASSY		01

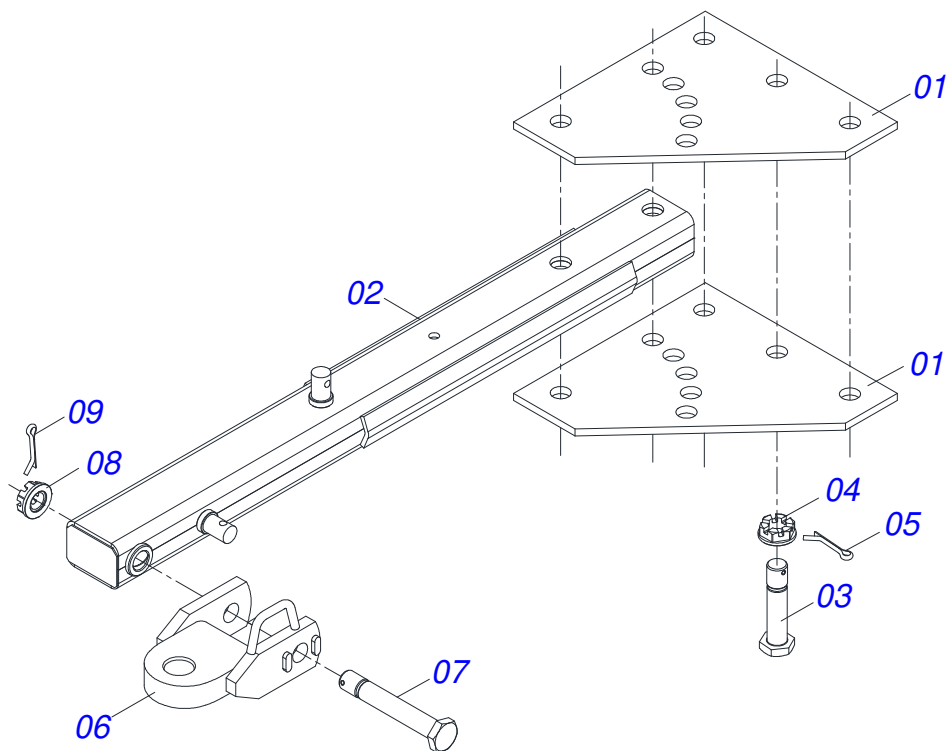


GA WITH PA  
28D - ASSY FRAME

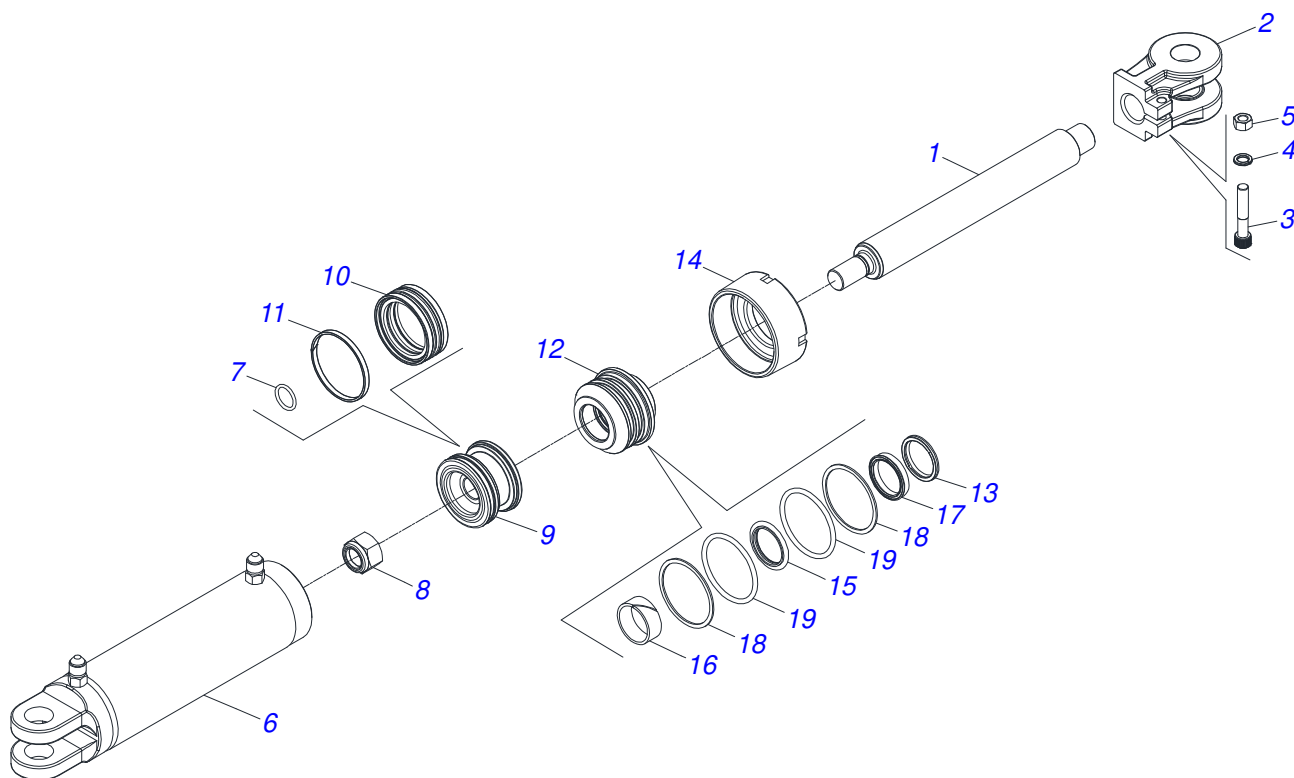
Item	Code	Description	See page	QT
20B	0501063253	2" X 11.9" COUPLING SHAFT		01
20C	0503010534	3/8 X 2-1/2 COTTERPIN		01
20D	0503011432	BOLT		01
20E	0503011438	SPRING WASHER		01
20F	0501010059	1.5/8 NUT		01
21	0511059156	HYDRAULIC CYLINDER	7	01
22	0501010617	3/4" NIPPLE		02
23	0503010190	2-114 N 3006-9B O'RING		02
24	0501053834	MALE QUICK COUPLER WITH CAP - 1/2 NPT	19	02
25	0501051040	HOSE ASSY		01
25A	0501080361	3/8" X 157" TR-TM HOSE		02
26	0501041216	ADJUSTMENT BAR ASSY		01
26A	0501013284	ADJUSTMENT BAR		01
26B	0501060434	BEATER BOX		01
26C	0521010573	0.9" X 3.1" COUPLING SHAFT		01
26D	0503010571	1/4" X 1.1/2 COTTERPIN		01
27	0501041199	ADJUSTMENT BODY ASSY		01
27A	0501063206	ADJUSTMENT BODY		01
27B	0501012916	FLAT WASHER 38,50 X 66 X 4,75 ZN		01
27C	0503010534	3/8 X 2-1/2 COTTERPIN		01
28	0909093825	28D - FRONT DISC SECTION	15	01
29	0909093826	28D - REAR DISC SECTION	16	01



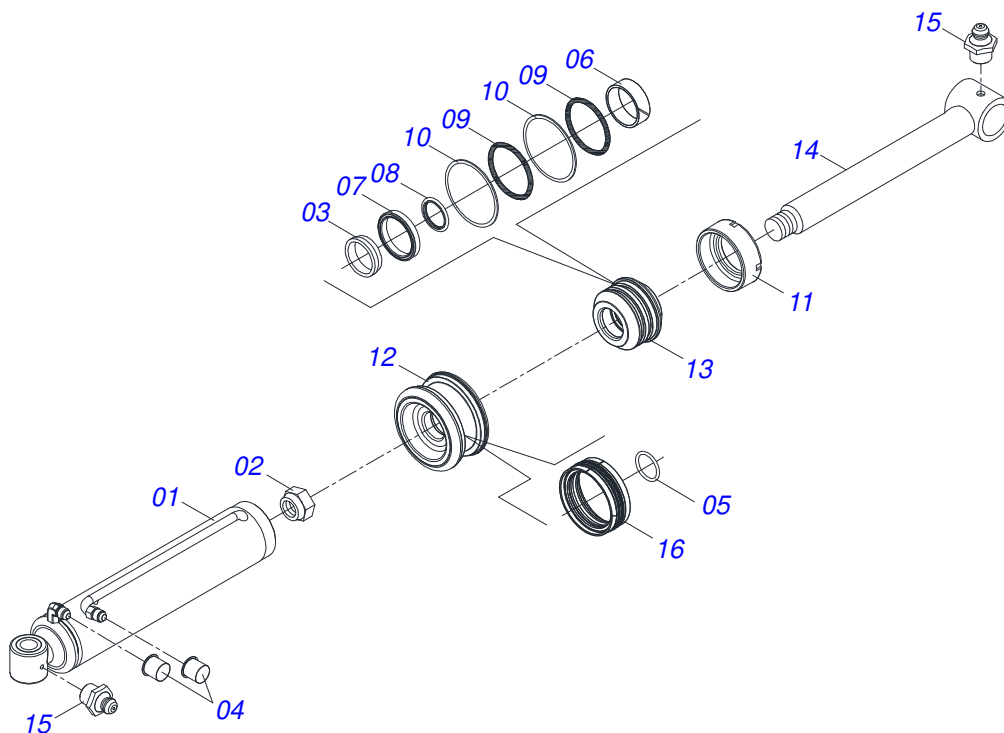
Item	Code	Description	See page	QT
01	0501060188	DRAWBAR ASSY		01
02	0521061775	TRACTOR HITCH		01
03	0501010060	1" X 6-1/2" BOLT		01
04	0503011438	SPRING WASHER		01
05	0501010059	1.5/8 NUT		01
06	0501010241	UPPER /LOWER PLATE		02
07	0503011198	C3/4" X 6" SCREW		03
08	0503011442	3/4" SPRING WASHER		03
09	0503010014	3/4" NUT		03
10	0501010191	1" X 6" BOLT		01
11	0503011438	SPRING WASHER		01
12	0501010059	1.5/8 NUT		01
13	0501068993	0.9" X 5.5" COUPLING SHAFT		01
14	0503010571	1/4" X 1.1/2 COTTERPIN		01



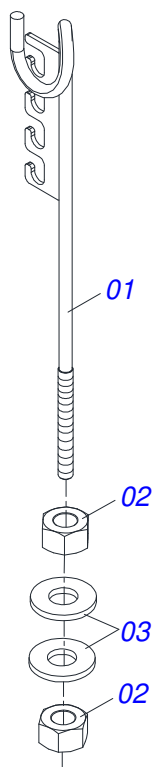
Item	Code	Description	See page	QT
01	0501010272	UPPER/LOWER PLATE		02
02	0501060299	DRAWBAR ASSY		01
03	0501010295	1-1/2" X 6.9" BOLT		05
04	0501011301	1.1/2 UNC 6FPP 2.5/16 NUT		05
05	0503010010	1/4" X 2.1/2" COTTERPIN		05
06	0501060317	TRACTOR HITCH		01
07	0501016415	1-1/2" X 9.6" BOLT		01
08	0501011301	1.1/2 UNC 6FPP 2.5/16 NUT		01
09	0503010010	1/4" X 2.1/2" COTTERPIN		01



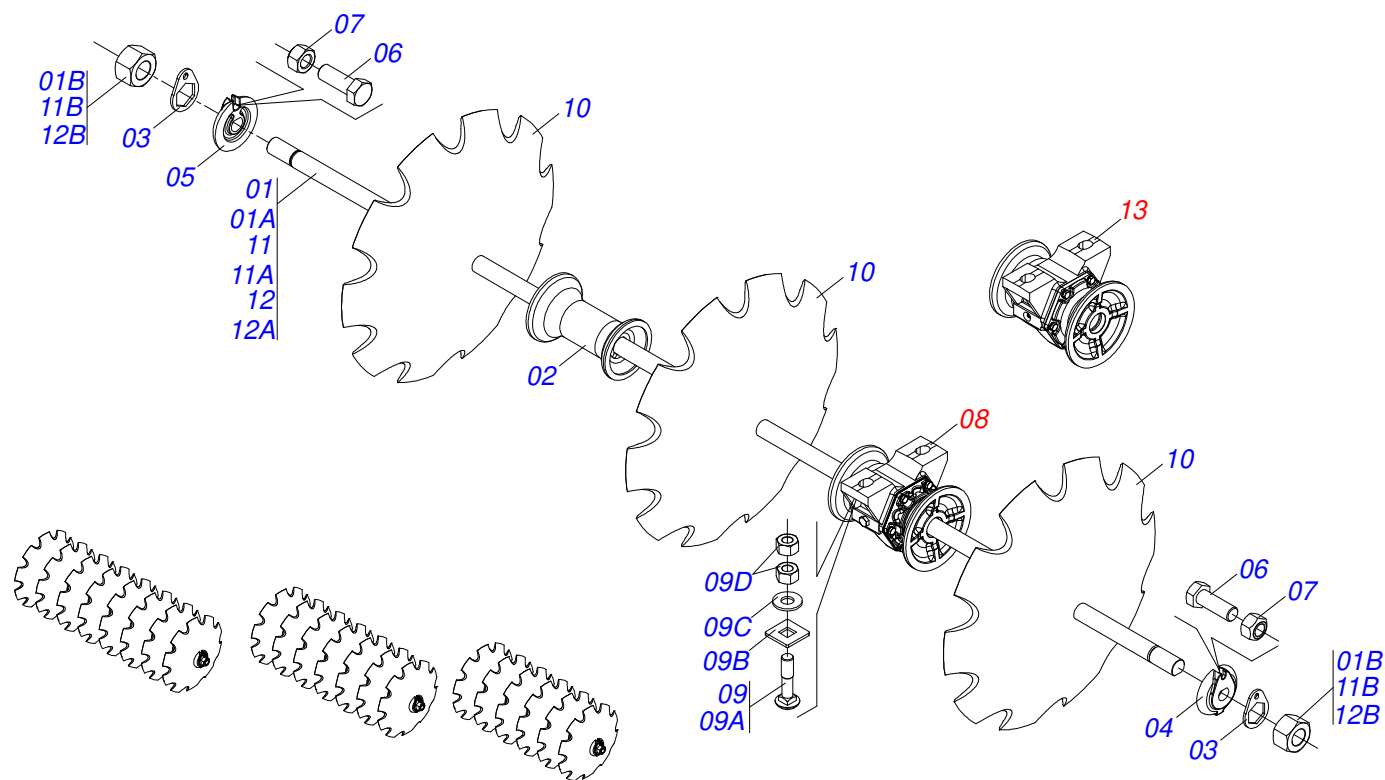
Item	Code	Description	See page	QT
01	0521010421	HYDRAULIC CYLINDER TURNBUCKLE		01
02	0502040747	32.54 CLEVIS CLAMP		01
03	0503011094	3/8" X 2" BOLT		01
04	0503010025	3/8" SPRING WASHER		01
05	0503010026	3/8" NUT		01
06	0511063257	3,4" X 12,3" CYLINDER CASE		01
07	0503010042	2-214 N 3006-9B O'RING		01
08	0503010063	1" SELF-ALIGNING NUT		01
09	0571019710	1.7" X 3.4" PISTON		01
10	0503017935	RING		01
11	0503018144	RING		01
12	0571019711	RING SUPPORT		01
13	0503010761	D-1750 SCRAPER RING		01
14	0571019709	DETACHABLE COVER		01
15	0503017936	RING		01
16	0503017938	RING GUIDE		01
17	0503017937	GASKET		01
18	0503017940	8-337 BACK-UP RING		02
19	0503017939	2-337 N 3006-9B O' RING		02



Item	Code	Description	See page	QT
001	0521066349	CYLINDER CASE		01
002	0503010817	1.1/4" SELF LOCKING NUT		01
003	0503010039	D-2000 SCRAPER RING		01
004	0503030387	PLUG		02
005	0503018029	2-217 O'RING		01
006	0503018025	RING GUIDE		01
007	0503018026	1870-2000-375 B GASKET		01
008	0503018024	RING BS		01
009	0503010338	2-342 N 3006-9B O'RING		02
010	0503011061	8-342 BACK-UP RING		02
011	0502012822	101.60 END CAP		01
012	0502012820	50.80 X 101.60 PISTON		01
013	0502012821	50.80 X 101.60 RING SUPPORT		01
014	0511070665	TURNBUCCLELE		01
015	0503010002	1800 GREASE FITTING		02
016	0503015633	SELEMASTER SEALING		01

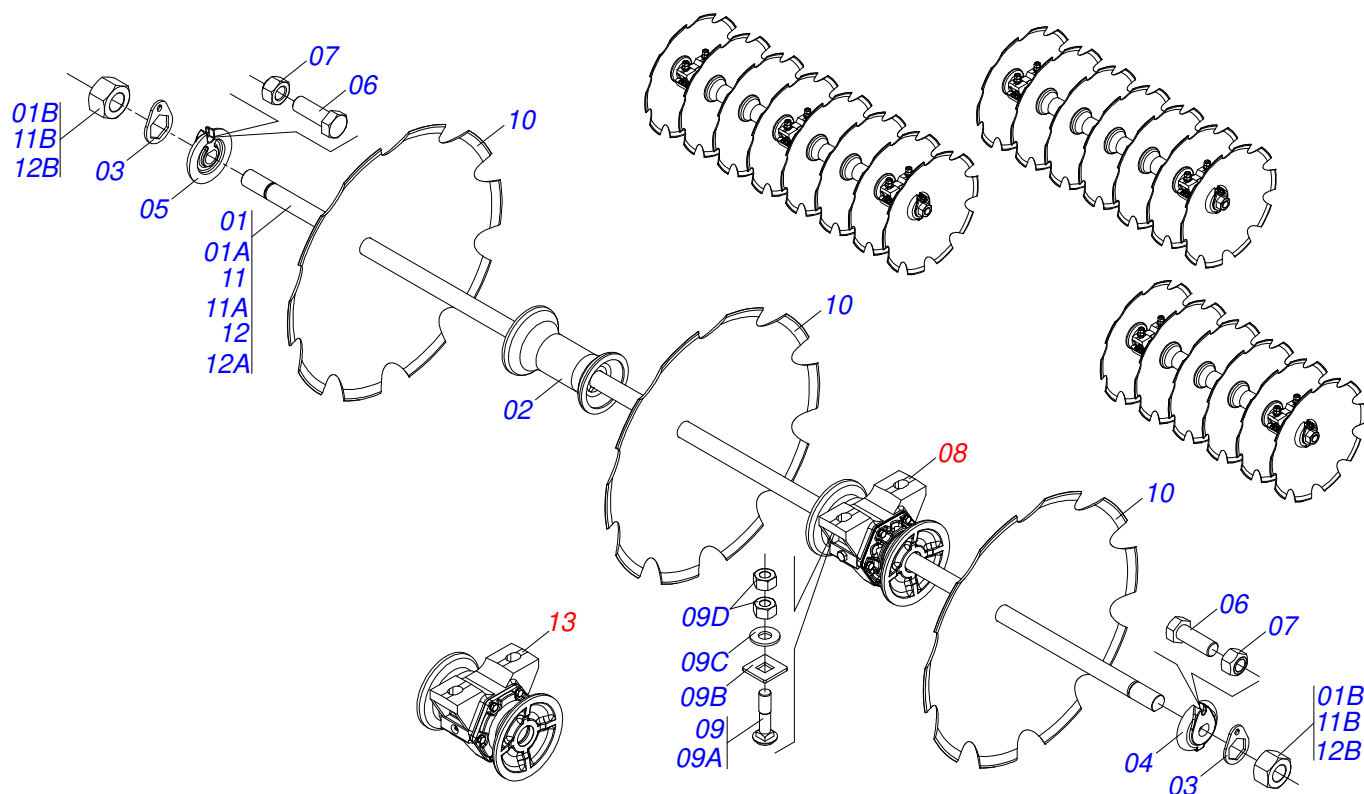


Item	Code	Description	See page	QT
01	0511067334	HOSE SOPPORT ASSY		01
02	0503010014	3/4" NUT		02
03	0501010322	FLAT WASHER		02

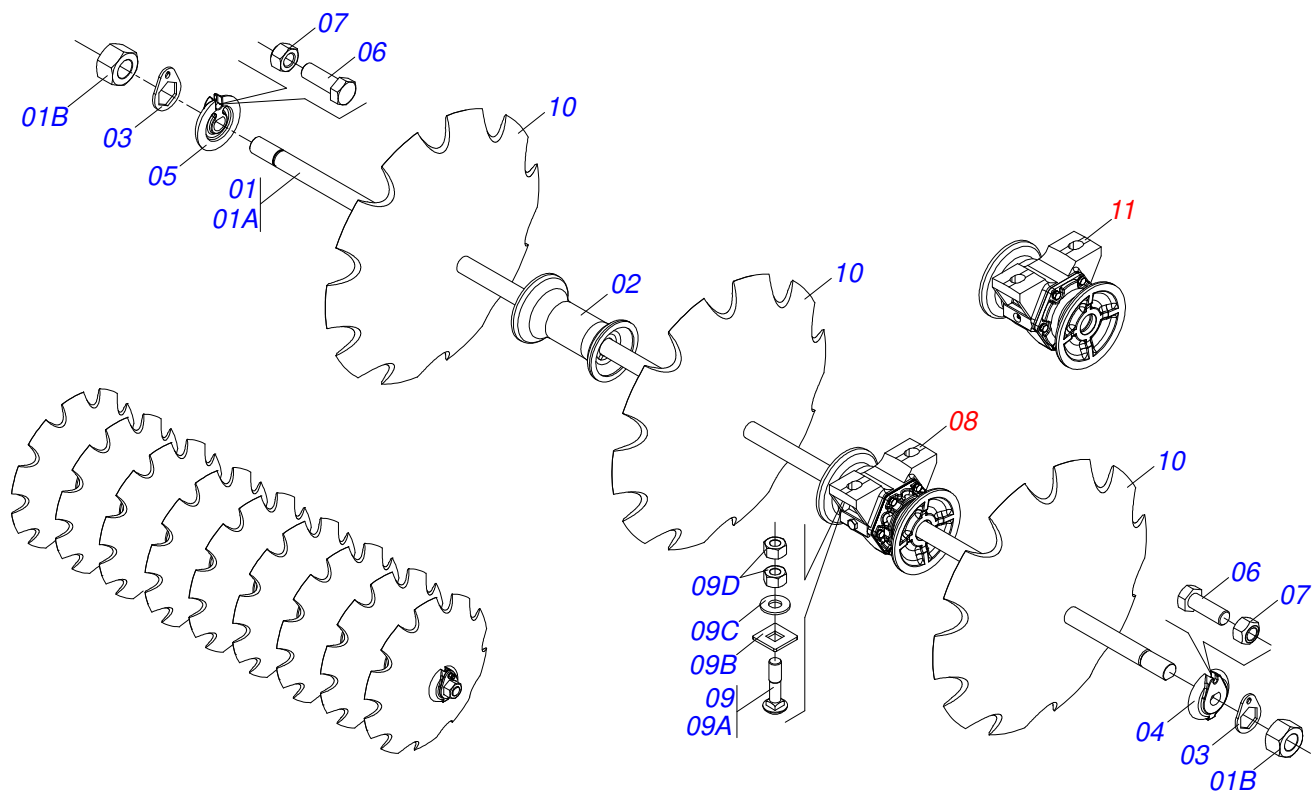


Item	Code	Description	See page	12	14	16
01	0501046855	1-5/8" X 52" AXLE WITH NUTS 2-3/4"		01	00	00
01A	0501015237	1-5/8" X 52" AXLE		01	00	00
01B	0502040640	1.5/8" 2.3/4" NUT		02	00	00
02	0502010626	8.9" 1-5/8" SPACER		03	04	04
03	0511014339	1-5/8" 2.8" NUT LOCK		02	02	02
04	0502011048	1-5/8" EXTERNAL AXLE WASHER		01	01	01
05	0502011047	1-5/8" INNER AXLE WASHER		01	01	01
06	0503011267	BOLT 5/8 UNC X 1.1/2 C S G.5 ZN		02	02	02
07	0503012412	5/8 UNC SELF LOCKING NUT		02	02	02
08	0501046923	9"X 1-5/8" OIL BATH BEARING	17	02	02	02
09	0511040034	3/4" X 3-1/4" BOLT ASSY		04	04	04
09A	0501017303	3/4" X 3-1/4" BOLT		04	04	04
09B	0501010949	3/4" SQUARE WASHER		04	04	04
09C	0501010322	FLAT WASHER		04	04	04
09D	0503010014	3/4" NUT		08	08	08
10	0602030002	NOTCHED DISC BLADE		06	07	08
10.	0602030005	24" X 0.2" NOTCHED DISC BLADE		06	07	08
10..	0602033005	26" X 0.2" NOTCHED DISC BLADE		06	07	08
10...	0602037004	28" X 0.2" NOTCHED DISC BLADE		00	07	08
11	0501046857	1-5/8" X 61" AXLE WITH NUTS 2-3/4"		01	00	00
11A	0501015632	1-5/8" X 61" AXLE		01	00	00
11B	0502040640	1.5/8" 2.3/4" NUT		02	00	00
12	0501046859	1-5/8" X 70" AXLE WITH NUTS 2-3/4"		00	00	01
12A	0501015631	1-5/8" X 70" AXLE		00	00	01
12B	0502040640	1.5/8" 2.3/4" NUT		00	00	02
13	0501046914	CM GX 9" 1-5/8" SD PR BEARING ASSY	18	02	02	02

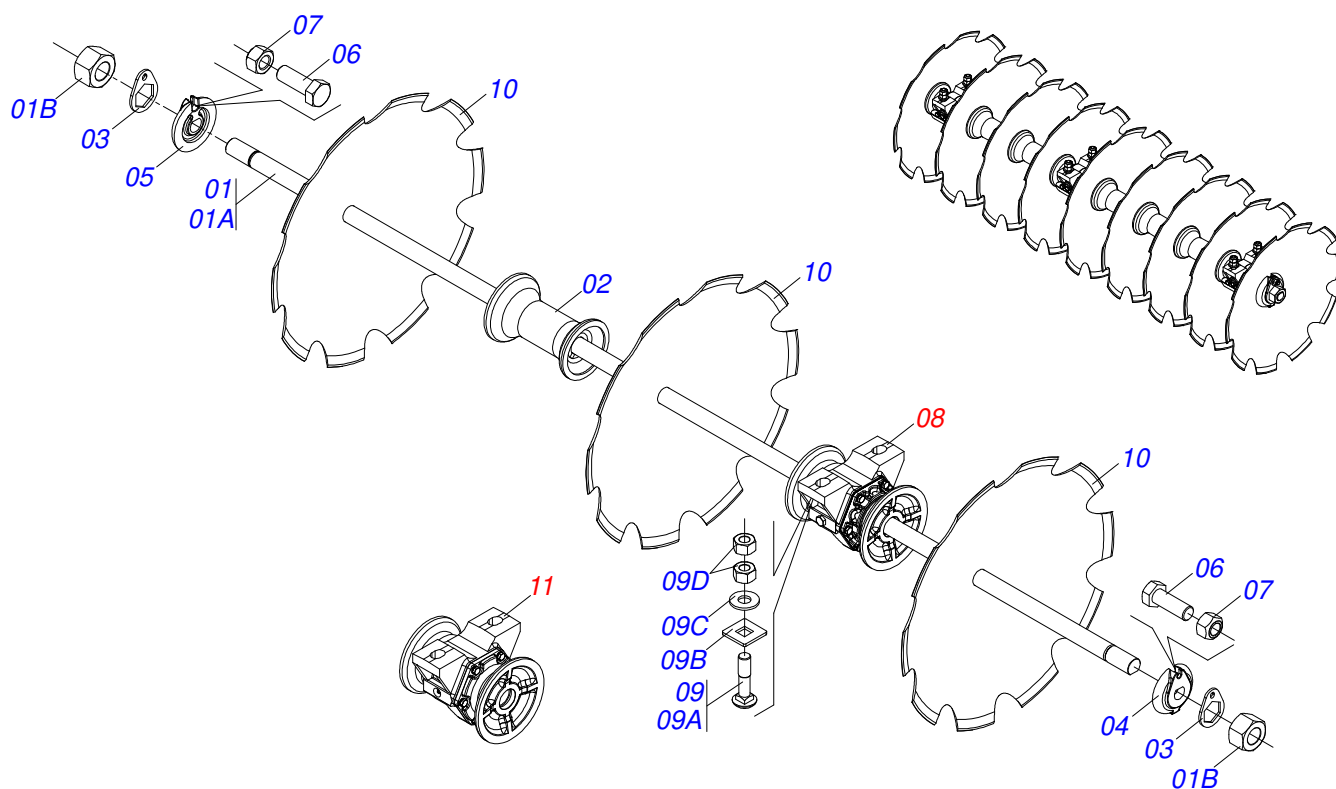




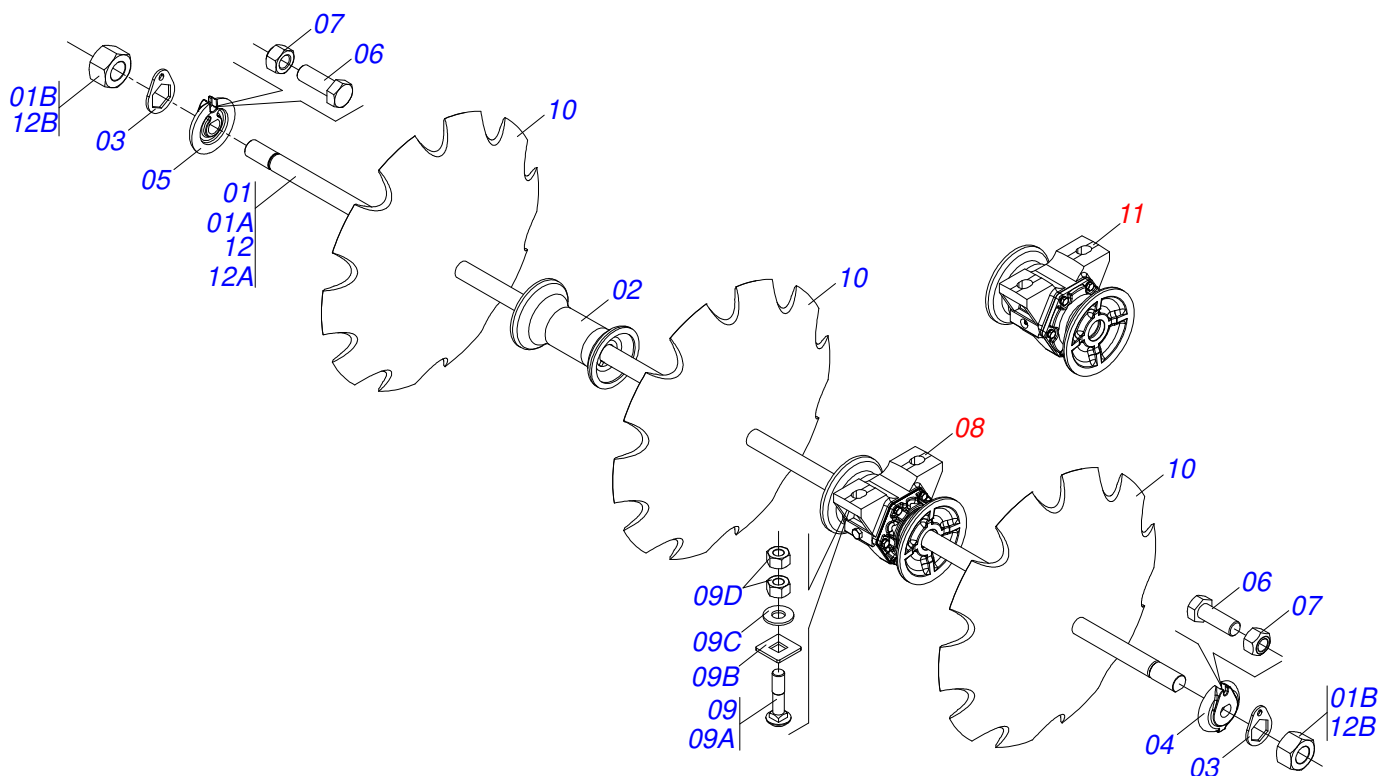
Item	Code	Description	See page	12	14	16
01	0501046855	1-5/8" X 52" AXLE WITH NUTS 2-3/4"		01	00	00
01A	0501015237	1-5/8" X 52" AXLE		01	00	00
01B	0502040640	1.5/8" 2.3/4" NUT		02	00	00
02	0502010626	8.9" 1-5/8" SPACER		03	04	04
03	0511014339	1-5/8" 2.8" NUT LOCK		02	02	02
04	0502011047	1-5/8" INNER AXLE WASHER		01	01	01
05	0502011048	1-5/8" EXTERNAL AXLE WASHER		01	01	01
06	0503011267	BOLT 5/8 UNC X 1.1/2 C S G.5 ZN		02	02	02
07	0503012412	5/8 UNC SELF LOCKING NUT		02	02	02
08	0501046923	9"X 1-5/8" OIL BATH BEARING	17	02	02	02
09	0511040034	3/4" X 3-1/4" BOLT ASSY		04	04	04
09A	0501017303	3/4" X 3-1/4" BOLT		04	04	04
09B	0501010949	3/4" SQUARE WASHER		04	04	04
09C	0501010322	FLAT WASHER		04	04	04
09D	0503010014	3/4" NUT		08	08	08
10	0602030002	NOTCHED DISC BLADE		06	07	08
10.	0602030005	24" X 0.2" NOTCHED DISC BLADE		06	07	08
10..	0602033005	26" X 0.2" NOTCHED DISC BLADE		06	07	08
10...	0602037004	28" X 0.2" NOTCHED DISC BLADE		00	07	08
11	0501046857	1-5/8" X 61" AXLE WITH NUTS 2-3/4"		01	00	00
11A	0501015632	1-5/8" X 61" AXLE		01	00	00
11B	0502040640	1.5/8" 2.3/4" NUT		02	00	00
12	0501046859	1-5/8" X 70" AXLE WITH NUTS 2-3/4"		00	00	01
12A	0501015631	1-5/8" X 70" AXLE		00	00	01
12B	0502040640	1.5/8" 2.3/4" NUT		00	00	02
13	0501046914	CM GX 9" 1-5/8" SD PR BEARING ASSY	18	02	02	02



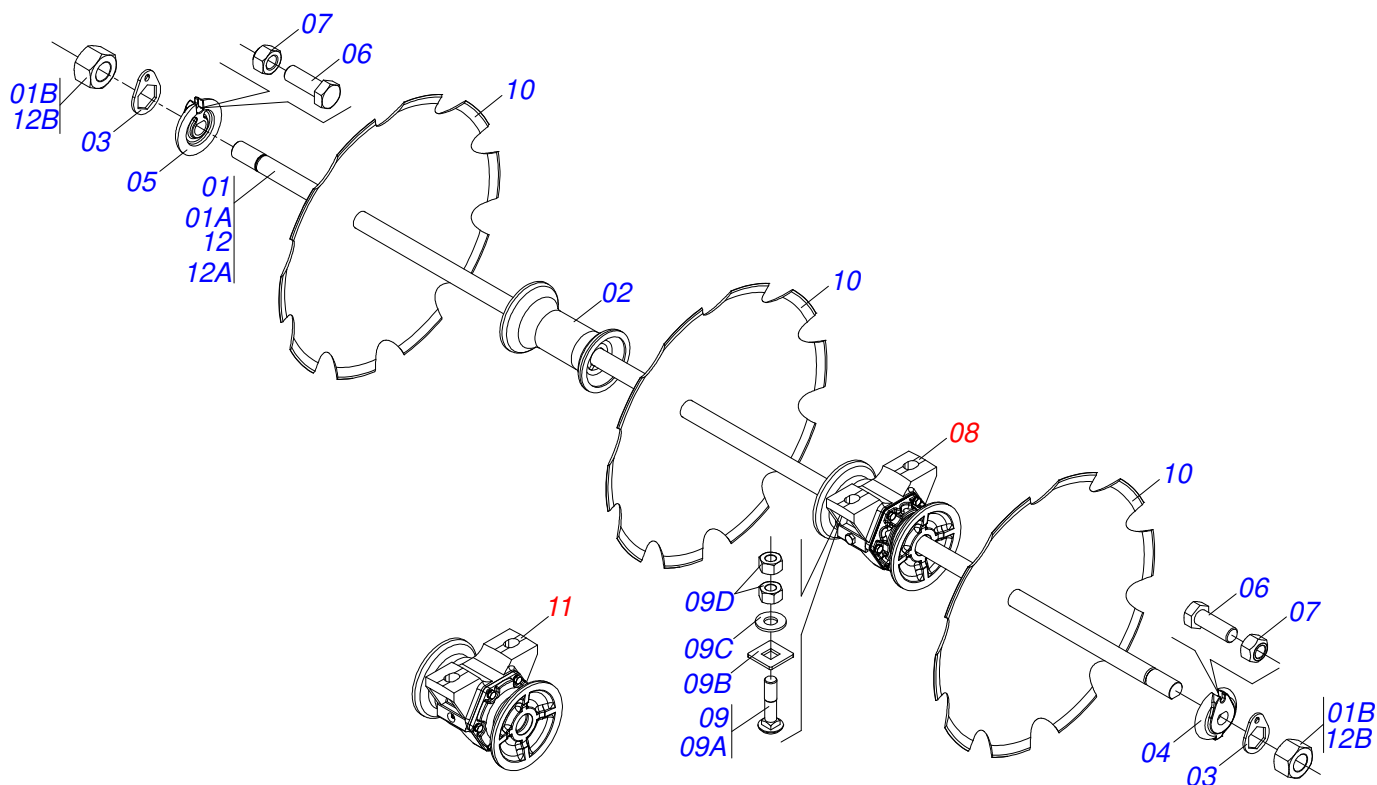
Item	Code	Description	See page	QT
01	0501046860	1-5/8" X 79" AXLE WITH NUTS 2-3/4"		01
01A	0501015329	1-5/8 X 79" AXLE		01
01B	0502040640	1.5/8" 2.3/4" NUT		02
02	0502010626	8.9" 1-5/8" SPACER		05
03	0511014339	1-5/8" 2.8" NUT LOCK		02
04	0502011048	1-5/8" EXTERNAL AXLE WASHER		01
05	0502011047	1-5/8" INNER AXLE WASHER		01
06	0503011267	BOLT 5/8 UNC X 1.1/2 C S G.5 ZN		02
07	0503012412	5/8 UNC SELF LOCKING NUT		02
08	0501046923	9"X 1-5/8" OIL BATH BEARING	17	03
09	0511040034	3/4" X 3-1/4" BOLT ASSY		06
09A	0501017303	3/4" X 3-1/4" BOLT		06
09B	0501010949	3/4" SQUARE WASHER		06
09C	0501010322	FLAT WASHER		06
09D	0503010014	3/4" NUT		12
10	0602030005	24" X 0.2" NOTCHED DISC BLADE		09
10.	0602033005	26" X 0.2" NOTCHED DISC BLADE		09
10..	0602037004	28" X 0.2" NOTCHED DISC BLADE		09
11	0501046914	CM GX 9" 1-5/8" SD PR BEARING ASSY	18	03



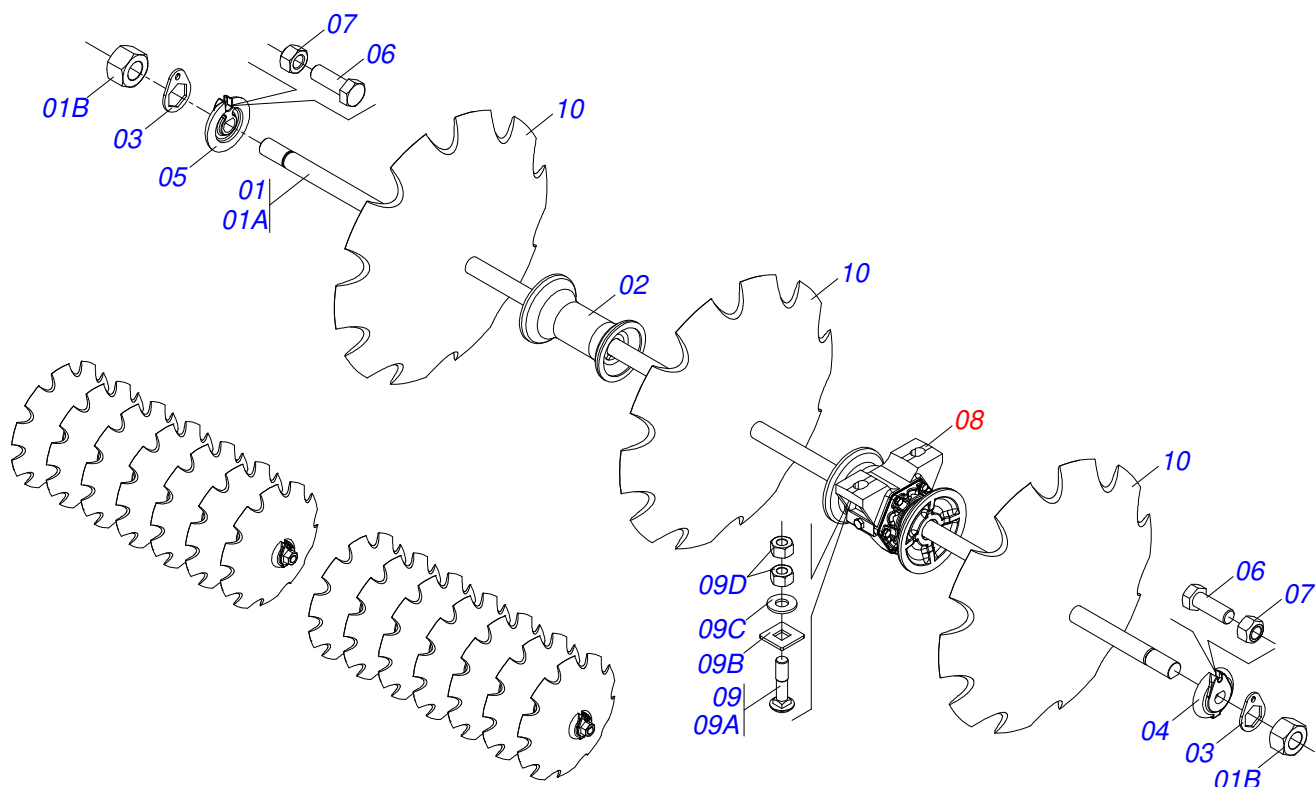
Item	Code	Description	See page	QT
01	0501046860	1-5/8" X 79" AXLE WITH NUTS 2-3/4"		01
01A	0501015329	1-5/8 X 79" AXLE		01
01B	0502040640	1.5/8" 2.3/4" NUT		02
02	0502010626	8.9" 1-5/8" SPACER		05
03	0511014339	1-5/8" 2.8" NUT LOCK		02
04	0502011047	1-5/8" INNER AXLE WASHER		01
05	0502011048	1-5/8" EXTERNAL AXLE WASHER		01
06	0503011267	BOLT 5/8 UNC X 1.1/2 C S G.5 ZN		02
07	0503012412	5/8 UNC SELF LOCKING NUT		02
08	0501046923	9"X 1-5/8" OIL BATH BEARING	17	03
09	0511040034	3/4" X 3-1/4" BOLT ASSY		06
09A	0501017303	3/4" X 3-1/4" BOLT		06
09B	0501010949	3/4" SQUARE WASHER		06
09C	0501010322	FLAT WASHER		06
09D	0503010014	3/4" NUT		12
10	0602030005	24" X 0.2" NOTCHED DISC BLADE		09
10.	0602033005	26" X 0.2" NOTCHED DISC BLADE		09
10..	0602037004	28" X 0.2" NOTCHED DISC BLADE		09
11	0501046914	CM GX 9" 1-5/8" SD PR BEARING ASSY	18	03



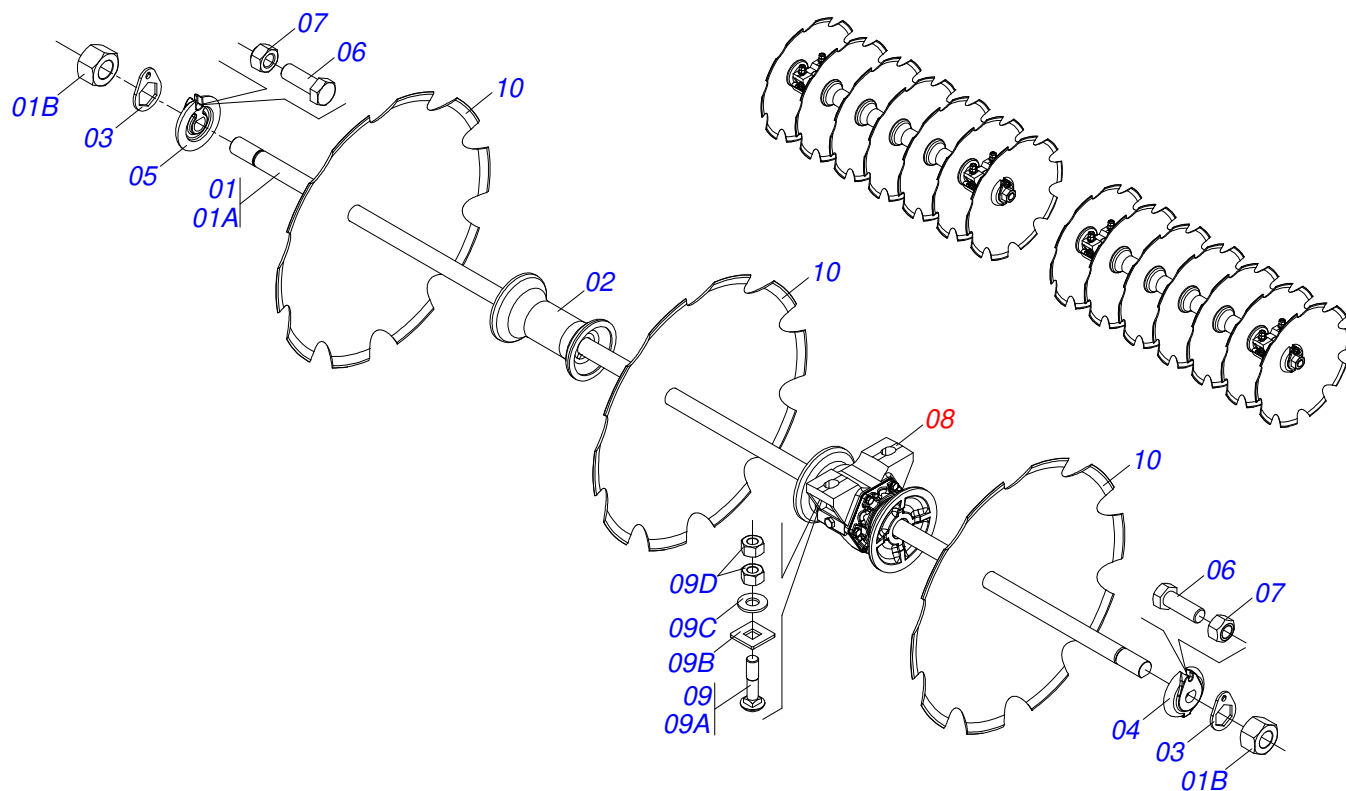
Item	Code	Description	See page	20	22	24
01	0501046853	1-5/8" X 43" AXLE WITH NUTS 2-3/4		02	01	00
01A	0501015029	1-5/8" X 43" AXLE		02	01	00
01B	0502040640	1.5/8" 2.3/4" NUT		04	02	00
02	0502010626	8.9" 1-5/8" SPACER		04	05	06
03	0511014339	1-5/8" 2.8" NUT LOCK		04	04	04
04	0502011048	1-5/8" EXTERNAL AXLE WASHER		02	02	02
05	0502011047	1-5/8" INNER AXLE WASHER		02	02	02
06	0503011267	BOLT 5/8 UNC X 1.1/2 C S G.5 ZN		04	04	04
07	0503012412	5/8 UNC SELF LOCKING NUT		04	04	04
08	0501046923	9"X 1-5/8" OIL BATH BEARING	17	04	04	04
09	0511040034	3/4" X 3-1/4" BOLT ASSY		08	08	08
09A	0501017303	3/4" X 3-1/4" BOLT		08	08	08
09B	0501010949	3/4" SQUARE WASHER		08	08	08
09C	0501010322	FLAT WASHER		08	08	08
09D	0503010014	3/4" NUT		16	16	16
10	0602030005	24" X 0.2" NOTCHED DISC BLADE		10	11	12
10.	0602033005	26" X 0.2" NOTCHED DISC BLADE		10	11	12
10..	0602037004	28" X 0.2" NOTCHED DISC BLADE		10	11	12
11	0501046914	CM GX 9" 1-5/8" SD PR BEARING ASSY	18	04	04	04
12	0501046855	1-5/8" X 52" AXLE WITH NUTS 2-3/4		00	01	02
12A	0501015237	1-5/8" X 52" AXLE		00	01	02
12B	0502040640	1.5/8" 2.3/4" NUT		00	02	04



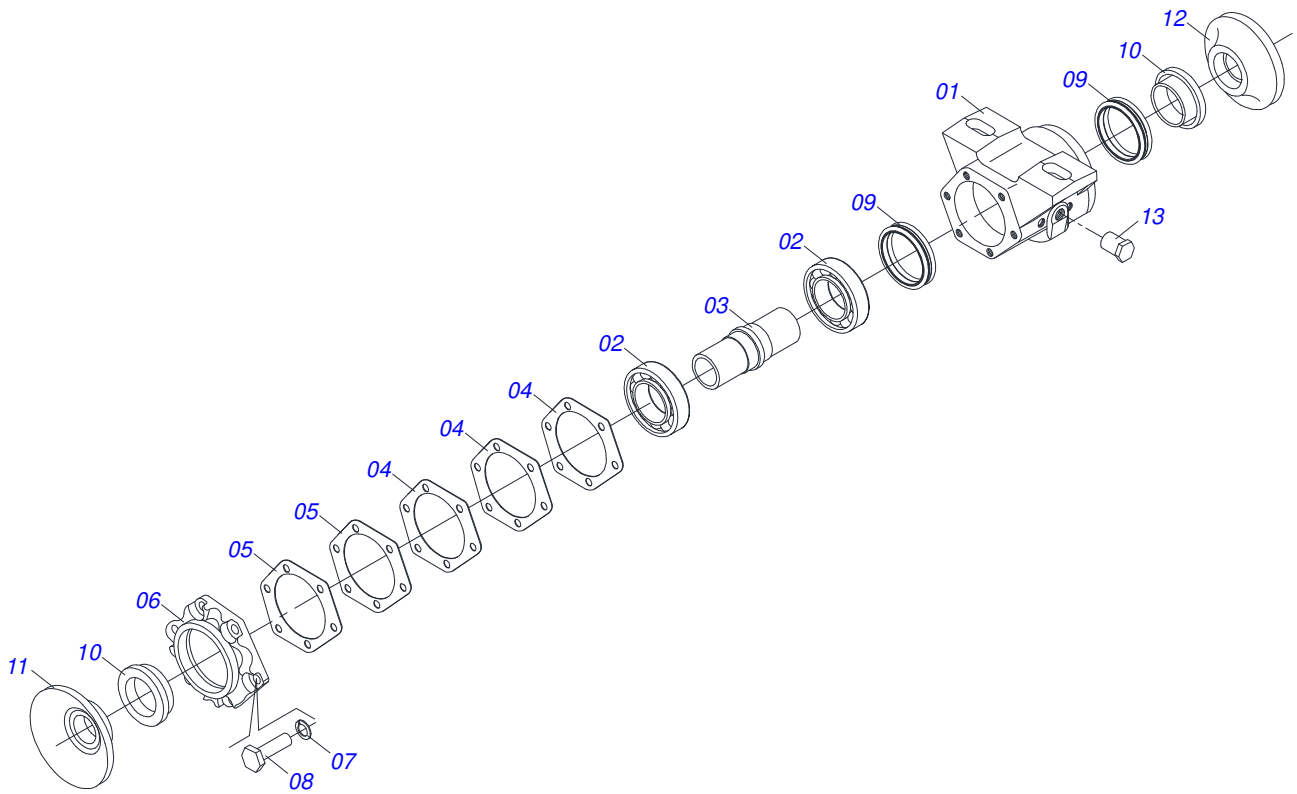
Item	Code	Description	See page	20	22	24
01	0501046853	1-5/8" X 43" AXLE WITH NUTS 2-3/4		02	01	00
01A	0501015029	1-5/8" X 43" AXLE		02	01	00
01B	0502040640	1.5/8" 2.3/4" NUT		04	02	00
02	0502010626	8.9" 1-5/8" SPACER		04	05	06
03	0511014339	1-5/8" 2.8" NUT LOCK		04	04	04
04	0502011047	1-5/8" INNER AXLE WASHER		02	02	02
05	0502011048	1-5/8" EXTERNAL AXLE WASHER		02	02	02
06	0503011267	BOLT 5/8 UNC X 1.1/2 C S G.5 ZN		04	04	04
07	0503012412	5/8 UNC SELF LOCKING NUT		04	04	04
08	0501046923	9"X 1-5/8" OIL BATH BEARING	17	04	04	04
09	0511040034	3/4" X 3-1/4" BOLT ASSY		08	08	08
09A	0501017303	3/4" X 3-1/4" BOLT		08	08	08
09B	0501010949	3/4" SQUARE WASHER		08	08	08
09C	0501010322	FLAT WASHER		08	08	08
09D	0503010014	3/4" NUT		16	16	16
10	0602030005	24" X 0.2" NOTCHED DISC BLADE		10	11	12
10.	0602033005	26" X 0.2" NOTCHED DISC BLADE		10	11	12
10..	0602037004	28" X 0.2" NOTCHED DISC BLADE		10	11	12
11	0501046914	CM GX 9" 1-5/8" SD PR BEARING ASSY	18	04	04	04
12	0501046855	1-5/8" X 52" AXLE WITH NUTS 2-3/4		00	01	02
12A	0501015237	1-5/8" X 52" AXLE		00	01	02
12B	0502040640	1.5/8" 2.3/4" NUT		00	02	04



Item	Code	Description	See page	QT
01	0501046857	1-5/8" X 61" AXLE WITH NUTS 2-3/4"		02
01A	0501015632	1-5/8" X 61" AXLE		02
01B	0502040640	1.5/8" 2.3/4" NUT		04
02	0502010626	8.9" 1-5/8" SPACER		08
03	0511014339	1-5/8" 2.8" NUT LOCK		04
04	0502011048	1-5/8" EXTERNAL AXLE WASHER		02
05	0502011047	1-5/8" INNER AXLE WASHER		02
06	0503011267	BOLT 5/8 UNC X 1.1/2 C S G.5 ZN		04
07	0503012412	5/8 UNC SELF LOCKING NUT		04
08	0501046923	9"X 1-5/8" OIL BATH BEARING	17	04
09	0511040034	3/4" X 3-1/4" BOLT ASSY		08
09A	0501017303	3/4" X 3-1/4" BOLT		08
09B	0501010949	3/4" SQUARE WASHER		08
09C	0501010322	FLAT WASHER		08
09D	0503010014	3/4" NUT		16
10	0602037004	28" X 0.2" NOTCHED DISC BLADE		14

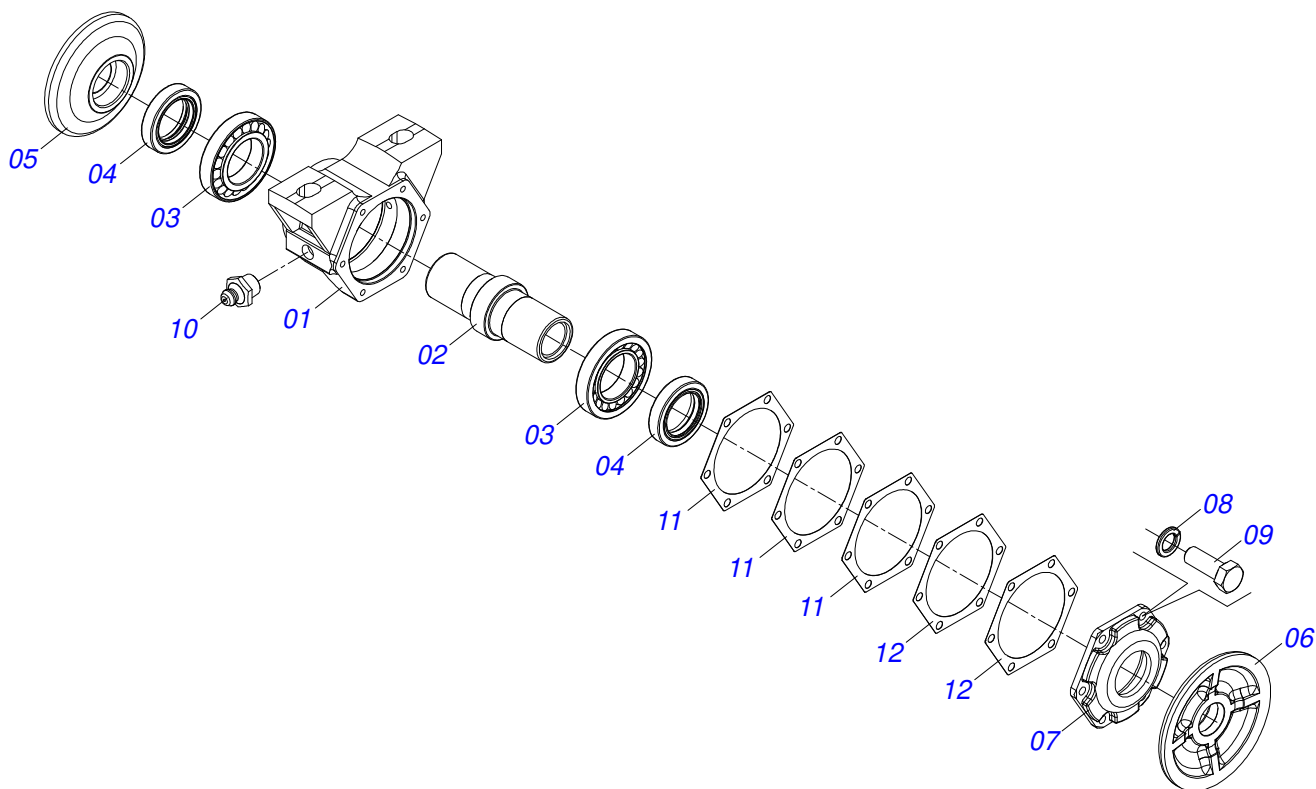


Item	Code	Description	See page	QT
01	0501046857	1-5/8" X 61" AXLE WITH NUTS 2-3/4"		02
01A	0501015632	1-5/8" X 61" AXLE		02
01B	0502040640	1.5/8" 2.3/4" NUT		04
02	0502010626	8.9" 1-5/8" SPACER		08
03	0511014339	1-5/8" 2.8" NUT LOCK		04
04	0502011047	1-5/8" INNER AXLE WASHER		02
05	0502011048	1-5/8" EXTERNAL AXLE WASHER		02
06	0503011267	BOLT 5/8 UNC X 1.1/2 C S G.5 ZN		04
07	0503012412	5/8 UNC SELF LOCKING NUT		04
08	0501046923	9"X 1-5/8" OIL BATH BEARING	17	04
09	0511040034	3/4" X 3-1/4" BOLT ASSY		08
09A	0501017303	3/4" X 3-1/4" BOLT		08
09B	0501010949	3/4" SQUARE WASHER		08
09C	0501010322	FLAT WASHER		08
09D	0503010014	3/4" NUT		16
10	0602037004	28" X 0.2" NOTCHED DISC BLADE		14

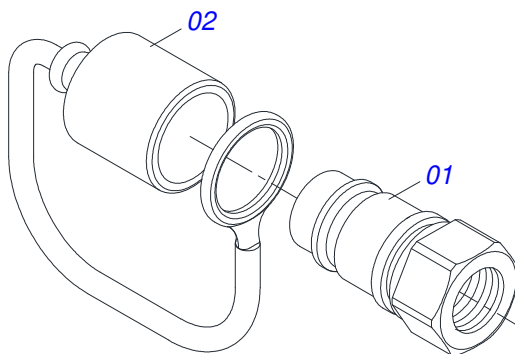


Item	Code	Description	See page	QT
01	0502020445	HOUSING DM		01
02	0503010113	30212 ROLLER BEARING		02
03	0502010639	AXLE FOR CM/DM		01
04	0503031972	137 X 113,2 X 0,3 JOINT		03
05	0503031973	137 X 113,2 X 0,1 JOINT		02
06	0502012445	BEARING COVER BOX (BOX SLIGHTLY)		01
07	0503011443	3/8" SPRING WASHER		06
08	0503010237	3/8" X 1" BOLT		06
09	0503030027	DUO-CONE SEAL		02
10	0502010633	SEAL RETAINER		02
11	0502040239	OUTER FLANGE		01
12	0502040240	INNER FLANGE		01
13	0503010856	OIL PLUG		01





Item	Code	Description	See page	QT
01	0502020448	HOUSING CM		01
02	0502010639	AXLE FOR CM/DM		01
03	0503010113	30212 ROLLER BEARING		02
04	0503010327	SEAL 00556-GB		02
05	0502040240	INNER FLANGE		01
06	0502040239	OUTER FLANGE		01
07	0502020457	HOUSING CAP CM		01
08	0503011443	3/8" SPRING WASHER		06
09	0503010237	3/8" X 1" BOLT		06
10	0503010002	1800 GREASE FITTING		02
11	0503031972	137 X 113,2 X 0,3 JOINT		03
12	0503031973	137 X 113,2 X 0,1 JOINT		02



Item	Code	Description	See page	QT
01	0503011627	MALE QUICK COUPLER AGR 1/2 NPT		01
02	0503011882	MALE QUICK COUPLER CAP		01





[www.marchesan.com.br](http://www.marchesan.com.br)



**Technical Publications | Elaboration and Revision**  
ALESSANDRA PATRICIA KAWAHARA CARRILI