

PARTS CATALOGUE



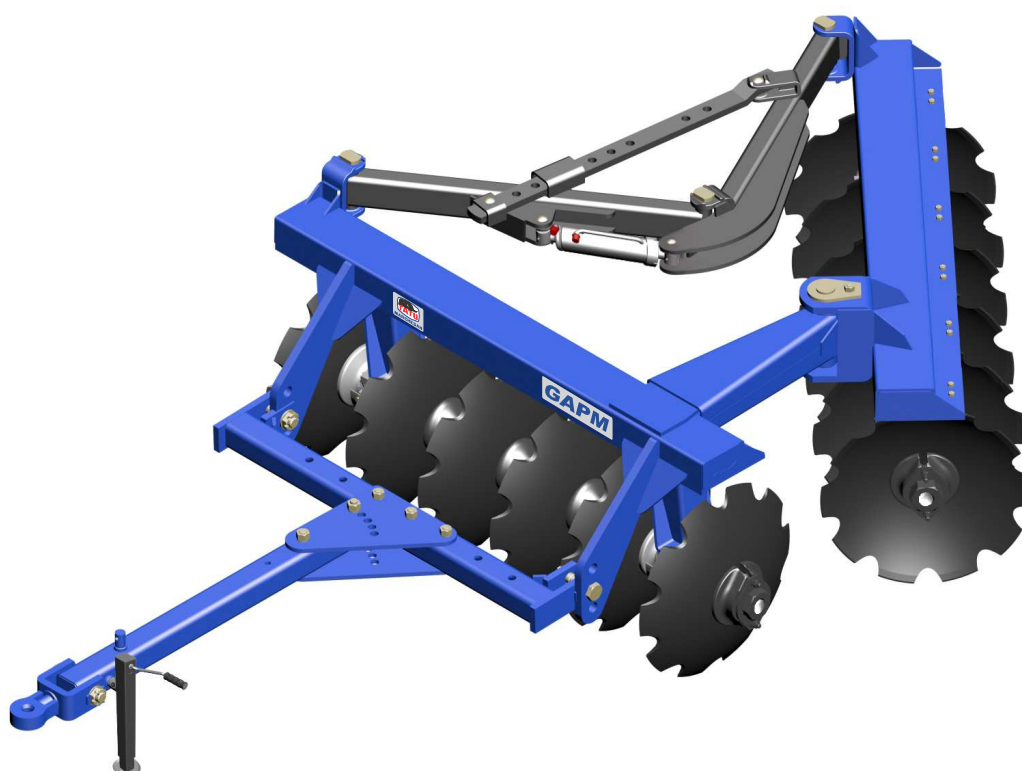
OFFSET DISK HARROW

Code:

0501092180

Product:

GAPM 10/12/14/16/18/20/24/30D



Series:

S-0182

Revision:

00

Date Revision:

MAIO/2018



PRODUCTS

Code	Description	
0102050022	GAPM 10 X 28 X 7,50 DM	S-0182
0102050023	GAPM 10 X 30 X 7,50 DM	S-0182
0102050140	GAPM 10 X 32 X 12,00 DM	S-0182
0102050024	GAPM 10 X 32 X 9,00 DM	S-0182
0102050025	GAPM 12 X 28 X 7,50 DM	S-0182
0102050005	GAPM 12 X 30 X 7,50 CM	S-0182
0102050026	GAPM 12 X 30 X 7,50 DM	S-0182
0102050141	GAPM 12 X 32 X 12,00 DM	S-0182
0102050006	GAPM 12 X 32 X 9,00 CM	S-0182
0102050027	GAPM 12 X 32 X 9,00 DM	S-0182
0102050007	GAPM 14 X 28 X 7,50 CM	S-0182
0102050028	GAPM 14 X 28 X 7,50 DM	S-0182
0102050008	GAPM 14 X 30 X 7,50 CM	S-0182
0102050029	GAPM 14 X 30 X 7,50 DM	S-0182
0102050142	GAPM 14 X 32 X 12,00 DM	S-0182
0102050009	GAPM 14 X 32 X 9,00 CM	S-0182
0102050030	GAPM 14 X 32 X 9,00 DM	S-0182
0102050043	GAPM 14 X 34 X 9,00 DM	S-0182
0102050010	GAPM 16 X 28 X 7,50 CM	S-0182
0102050031	GAPM 16 X 28 X 7,50 DM	S-0182
0102050011	GAPM 16 X 30 X 7,50 CM	S-0182
0102050032	GAPM 16 X 30 X 7,50 DM	S-0182
0102050045	GAPM 16 X 32 X 12,00 CM	S-0182
0102050103	GAPM 16 X 32 X 12,00 DM	S-0182
0102050012	GAPM 16 X 32 X 9,00 CM	S-0182
0102050033	GAPM 16 X 32 X 9,00 DM	S-0182
0102050051	GAPM 16 X 34 X 9,00 DM	S-0182
0102050013	GAPM 18 X 28 X 7,50 CM	S-0182
0102050034	GAPM 18 X 28 X 7,50 DM	S-0182
0102050014	GAPM 18 X 30 X 7,50 CM	S-0182

ATTENTION: IMPORTANT

Marchesan S.A. reserves the right to improve and / or modify the technical features of its products, without obligation to do the same with those products already sold and without prior knowledge of the dealer or the consumer.



PRODUCTS

0102050035	GAPM 18 X 30 X 7,50 DM	S-0182
0102050143	GAPM 18 X 32 X 12,00 DM	S-0182
0102050015	GAPM 18 X 32 X 9,00 CM	S-0182
0102050036	GAPM 18 X 32 X 9,00 DM	S-0182
0102050016	GAPM 20 X 28 X 7,50 CM	S-0182
0102050037	GAPM 20 X 28 X 7,50 DM	S-0182
0102050017	GAPM 20 X 30 X 7,50 CM	S-0182
0102050038	GAPM 20 X 30 X 7,50 DM	S-0182
0102050101	GAPM 20 X 32 X 12,00 DM	S-0182
0102050018	GAPM 20 X 32 X 9,00 CM	S-0182
0102050039	GAPM 20 X 32 X 9,00 DM	S-0182
0102050119	GAPM 20 X 34 X 9,00 DM	S-0182
0102050019	GAPM 24 X 28 X 7,50 CM	S-0182
0102050040	GAPM 24 X 28 X 7,50 DM	S-0182
0102050020	GAPM 24 X 30 X 7,50 CM	S-0182
0102050041	GAPM 24 X 30 X 7,50 DM	S-0182
0102050144	GAPM 24 X 32 X 12,00 DM	S-0182
0102050021	GAPM 24 X 32 X 9,00 CM	S-0182
0102050042	GAPM 24 X 32 X 9,00 DM	S-0182
0102050117	GAPM 24 X 34 X 9,00 DM	S-0182
0102050049	GAPM 30 X 30 X 7,50 CM	S-0182
0102050044	GAPM 30 X 30 X 7,50 DM	S-0182
0102050145	GAPM 30 X 32 X 12,00 DM S/CIL	S-182
0102050050	GAPM 30 X 32 X 9,00 CM	S-0182
0102050047	GAPM 30 X 32 X 9,00 DM	S-0182
0102050170	GAPM 30 X 34 X 9,0 DM	S-0182

ATTENTION: IMPORTANT

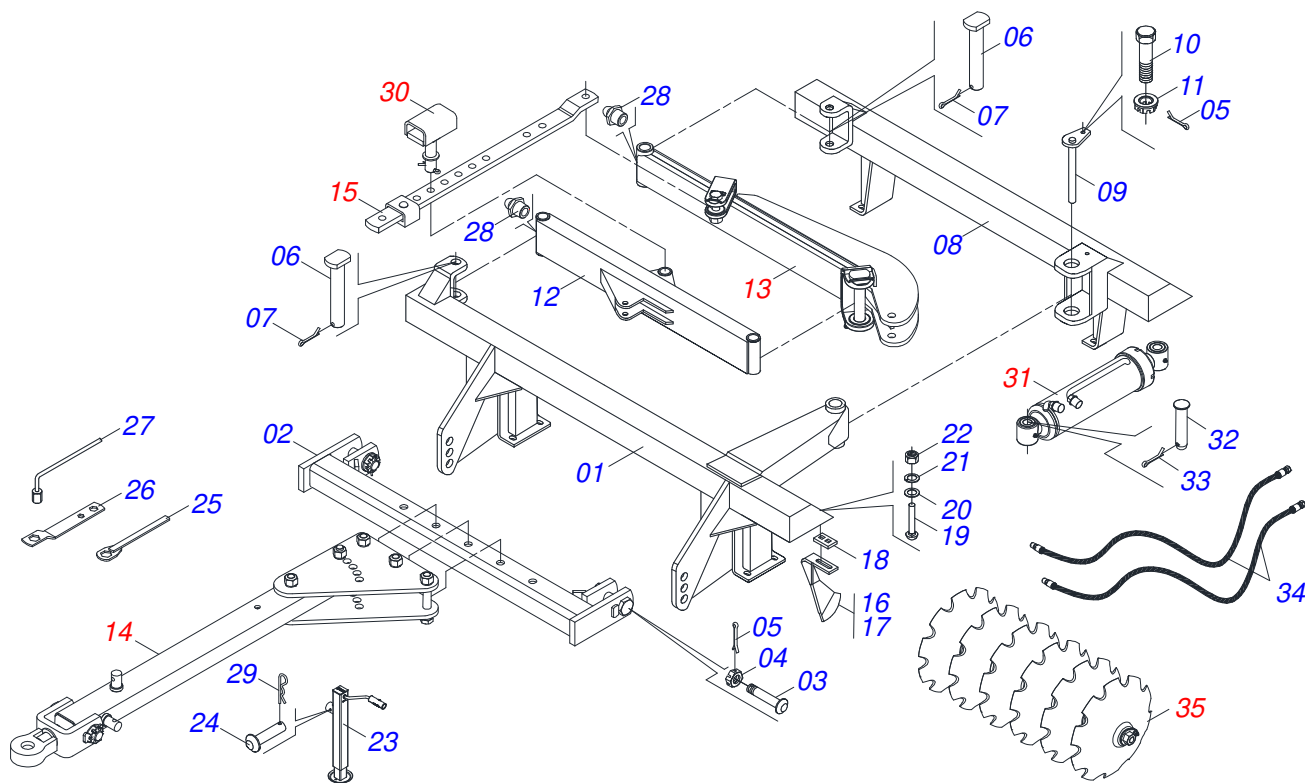
Marchesan S.A. reserves the right to improve and / or modify the technical features of its products, without obligation to do the same with those products already sold and without prior knowledge of the dealer or the consumer.



MARCHESAN

INDEX

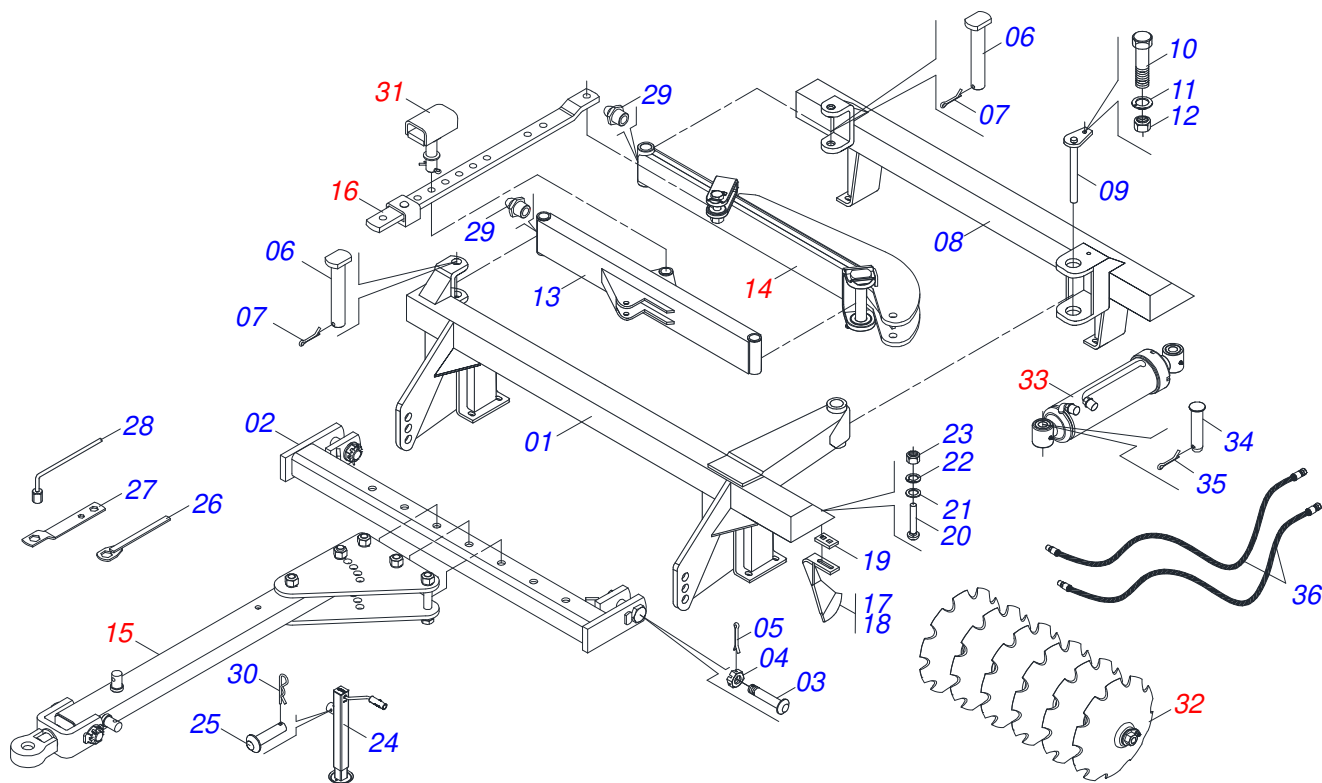
0909093939	GAPM 10	1
0909093940	GAPM 12	2
0909093941	GAPM 14	3
0909093984	GAPM 16	4
0909093985	GAPM 18	5
0909093986	GAPM 20	6
0909093987	GAPM 24	7
0909093988	GAPM 30	8
0511059185	HYDRAULIC CYLINDER	9
0511059156	HYDRAULIC CYLINDER	10
0501041214	REAR STABILIZER BAR ASSY	11
0501041219	REAR STABILIZER BAR ASSY	12
0501041215	DRAWBAR ASSY	13
0501041859	ADJUSTMENT BAR ASSY	14
0501041199	ADJUSTMENT BODY ASSY	15
0909093999	GANG DISC 10	16
0909094023	GANG DISC 12	17
0909094024	GANG DISC 14	18
0909094025	GANG DISC 16	19
0909094026	GANG DISC 18	20
0909094027	GANG DISC 20	21
0909094028	GANG DISC 24	22
0909094029	GANG DISC 30	23
0501046917	13" X 2-1/8" PR BEARING ASSY	24
0501046926	330MM X 2-1/8" RD. OIL BATH BEARING	25



Item	Code	Description	See page	QT
01	0501060412	FRONT FRAME 10		01
02	0501066721	OFFSET BAR		01
03	0501816416	BOLT		02
04	0501011301	1.1/2 UNC 6FPP 2.5/16 NUT		02
05	0503010010	1/4" X 2.1/2" COTTERPIN		02
06	0521010644	1.5" X 8.4" COUPLING SHAFT		03
07	0503010534	3/8 X 2-1/2 COTTERPIN		03
08	0501060419	REAR FRAME 10		01
09	0501062185	2.5" X 13.6" COUPLING SHAFT		01
10	0501816415	BOLT		01
11	0501811301	CASTLE NUT		02
12	0501060426	FRONT STABILIZER BAR		01
13	0501041214	REAR STABILIZER BAR ASSY	11	01
14	0501041215	DRAWBAR ASSY	13	01
15	0501041859	ADJUSTMENT BAR ASSY	14	01
16	0501060423	FRONT SCRAPER		15
17	0501060424	REAR SCRAPER		15
18	0501010299	SCRAPER LOCK		30
19	0503010233	5/8" X 2-1/2" BOLT		20
20	0501012140	FLAT WASHER		20
21	0503010027	5/8" SPRING WASHER		20
22	0503010013	5/8" NUT		20
23	0503062157	HEADER JACK		01
24	0521010549	COUPLING SHAFT		01
25	0501061044	2-1/8" AND 2-1/2" CABLE FLAT WRENCH		02
26	0511018451	5/8" X 3/4" X 1" UNIVERSAL		01
27	0501061045	1" WRENCH CYLINDRICAL		01
28	0503010002	1800 GREASE FITTING		01
29	0503030168	HAIR PIN		02
30	0501041199	ADJUSTMENT BODY ASSY	15	01
31	0511059185	HYDRAULIC CYLINDER	9	01



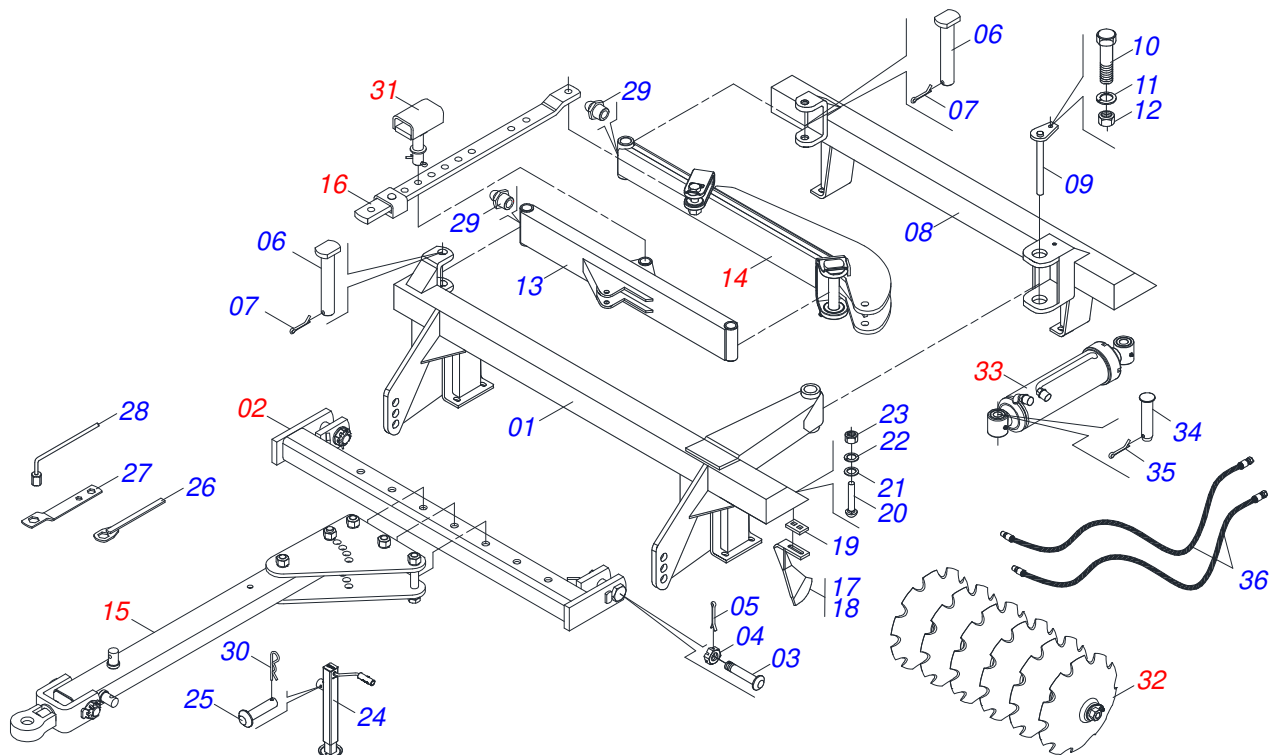
Item	Code	Description	See page	QT
32	0521010581	0.9" X 4.9" COUPLING SHAFT		02
33	0503010571	1/4" X 1.1/2 COTTERPIN		02
34	0501080001	1/2" X 177" TR-TM HOSE ASSY		02
35	0909093999	GANG DISC 10	16	



Item	Code	Description	See page	QT
01	0501060413	FRONT FRAME		01
02	0501060315	57.5" OFFSET BAR		01
03	0501016416	1-1/2" X 5.4" BOLT		02
04	0501011301	1.1/2 UNC 6FPP 2.5/16 NUT		02
05	0503010010	1/4" X 2.1/2" COTTERPIN		02
06	0521010644	1.5" X 8.4" COUPLING SHAFT		03
07	0503010534	3/8 X 2-1/2 COTTERPIN		03
08	0501060420	REAR FRAME		01
09	0501062185	2.5" X 13.6" COUPLING SHAFT		01
10	0501010276	BOLT		01
11	0503010012	1" SPRING WASHER		02
12	0503014018	1" NUT		02
13	0501060428	FRONT STABILIZER BAR		01
14	0501041219	REAR STABILIZER BAR ASSY	12	01
15	0501041215	DRAWBAR ASSY	13	01
16	0501041859	ADJUSTMENT BAR ASSY	14	01
17	0501060423	FRONT SCRAPER		06
18	0501060424	REAR SCRAPER		06
19	0501010299	SCRAPER LOCK		12
20	0503010233	5/8" X 2-1/2" BOLT		24
21	0501012140	FLAT WASHER		24
22	0503010027	5/8" SPRING WASHER		24
23	0503010013	5/8" NUT		24
24	0503062157	HEADER JACK		01
25	0521010549	COUPLING SHAFT		01
26	0501061044	2-1/8" AND 2-1/2" CABLE FLAT WRENCH		02
27	0511018451	5/8" X 3/4" X 1" UNIVERSAL		01
28	0501061045	1" WRENCH CYLINDRICAL		01
29	0503010002	1800 GREASE FITTING		01
30	0503030168	HAIR PIN		02
31	0501041199	ADJUSTMENT BODY ASSY	15	01



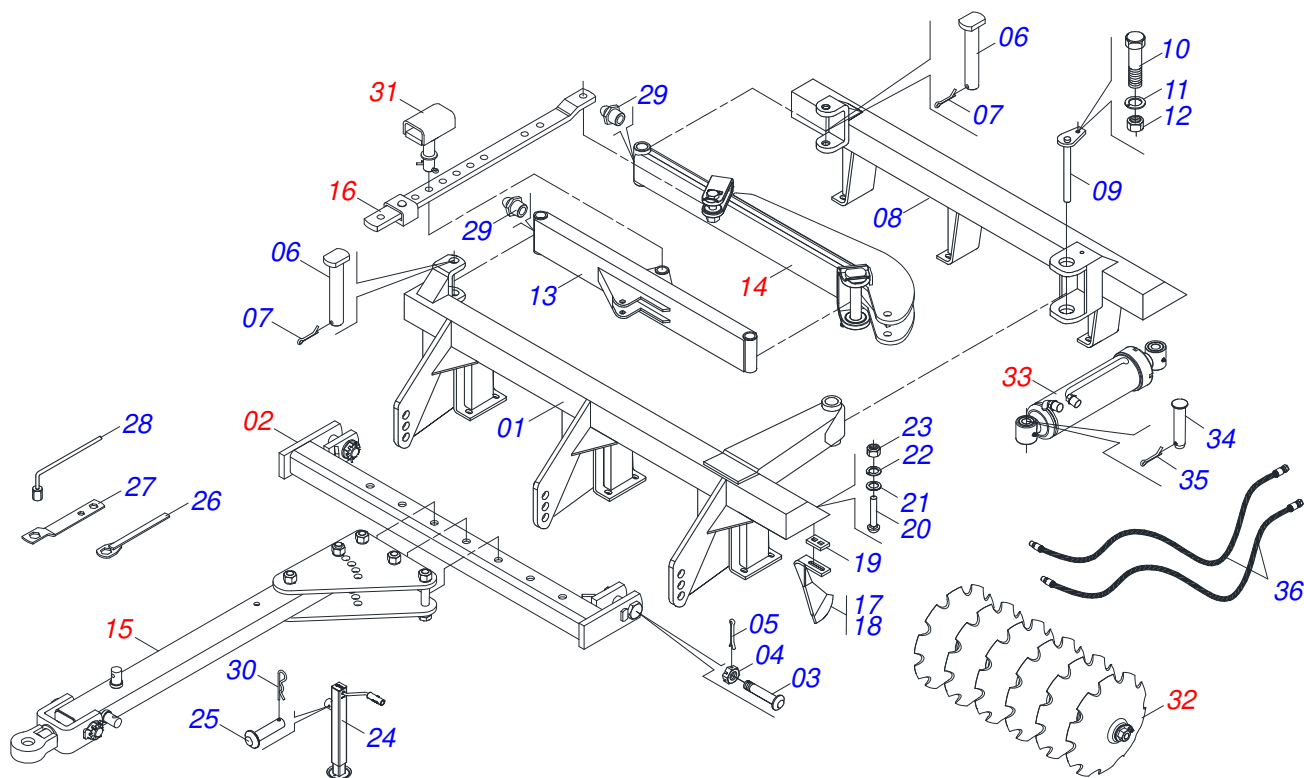
Item	Code	Description	See page	QT
32	0909094023	GANG DISC 12	17	
33	0511059185	HYDRAULIC CYLINDER	9	01
34	0521010581	0.9" X 4.9" COUPLING SHAFT		02
35	0503010571	1/4" X 1.1/2 COTTERPIN		02
36	0501080001	1/2" X 177" TR-TM HOSE ASSY		02



Item	Code	Description	See page	QT
01	0501060418	FRONT FRAME		01
02	0501063938	71.6" OFFSET BAR		01
03	0501016416	1-1/2" X 5.4" BOLT		02
04	0501011301	1.1/2 UNC 6FPP 2.5/16 NUT		02
05	0503010010	1/4" X 2.1/2" COTTERPIN		02
06	0521010644	1.5" X 8.4" COUPLING SHAFT		03
07	0503010534	3/8 X 2-1/2 COTTERPIN		03
08	0501060421	REAR FRAME		01
09	0501062185	2.5" X 13.6" COUPLING SHAFT		01
10	0501010276	BOLT		01
11	0503010012	1" SPRING WASHER		02
12	0503014018	1" NUT		02
13	0501060428	FRONT STABILIZER BAR		01
14	0501041219	REAR STABILIZER BAR ASSY	12	01
15	0501041215	DRAWBAR ASSY	13	01
16	0501041859	ADJUSTMENT BAR ASSY	14	01
17	0501060423	FRONT SCRAPER		07
18	0501060424	REAR SCRAPER		07
19	0501010299	SCRAPER LOCK		14
20	0503010233	5/8" X 2-1/2" BOLT		28
21	0501012140	FLAT WASHER		28
22	0503010027	5/8" SPRING WASHER		28
23	0503010013	5/8" NUT		28
24	0503062157	HEADER JACK		01
25	0521010549	COUPLING SHAFT		01
26	0501061044	2-1/8" AND 2-1/2" CABLE FLAT WRENCH		02
27	0511018451	5/8" X 3/4" X 1" UNIVERSAL		01
28	0501061045	1" WRENCH CYLINDRICAL		01
29	0503010002	1800 GREASE FITTING		01
30	0503030168	HAIR PIN		02
31	0501041199	ADJUSTMENT BODY ASSY	15	01



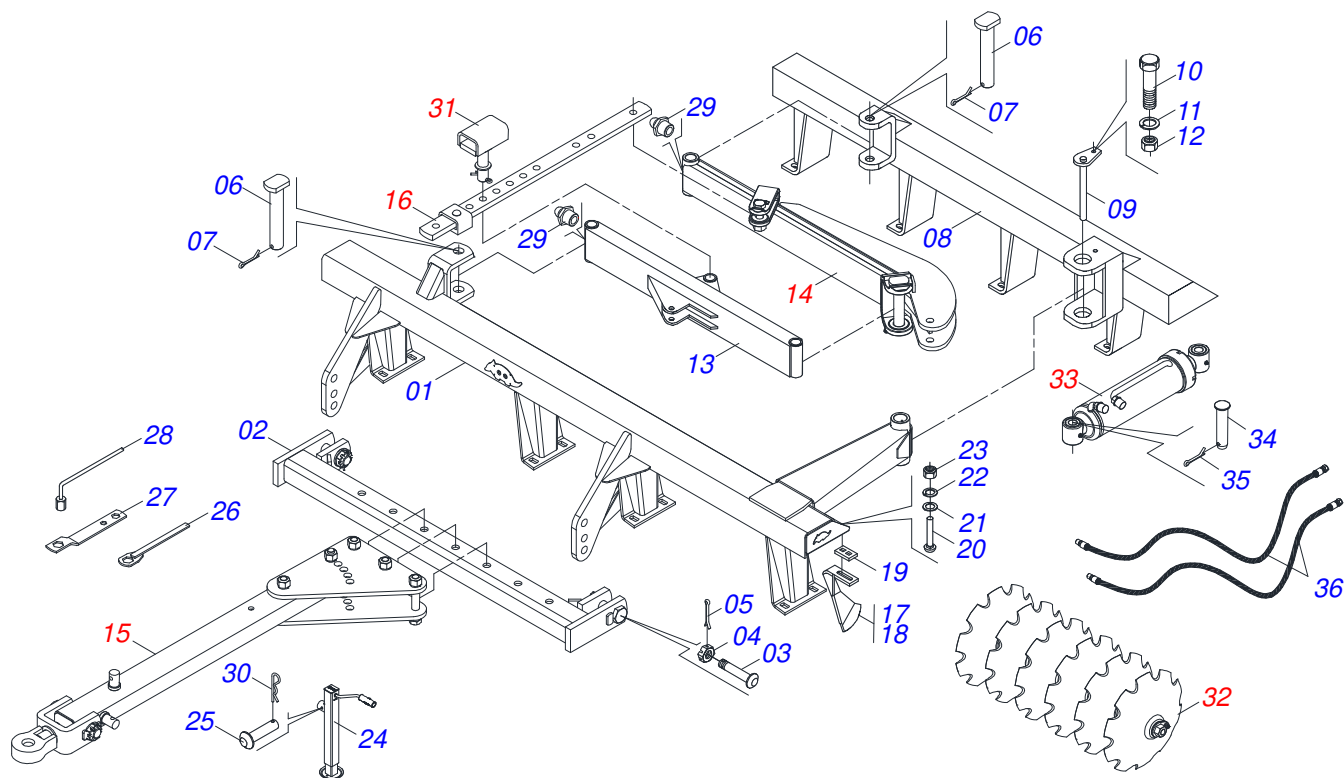
Item	Code	Description	See page	QT
32	0909094024	GANG DISC 14	18	
33	0511059185	HYDRAULIC CYLINDER	9	01
34	0521010581	0.9" X 4.9" COUPLING SHAFT		02
35	0503010571	1/4" X 1.1/2 COTTERPIN		02
36	0501080001	1/2" X 177" TR-TM HOSE ASSY		02



Item	Code	Description	See page	QT
01	0501060438	FRONT FRAME		01
02	0501060435	43.7" OFFSET BAR		01
03	0501016416	1-1/2" X 5.4" BOLT		02
04	0501011301	1.1/2 UNC 6FPP 2.5/16 NUT		02
05	0503010010	1/4" X 2.1/2" COTTERPIN		02
06	0521010644	1.5" X 8.4" COUPLING SHAFT		03
07	0503010534	3/8 X 2-1/2 COTTERPIN		03
08	0501060439	REAR FRAME		01
09	0501062185	2.5" X 13.6" COUPLING SHAFT		01
10	0501010276	BOLT		01
11	0503010012	1" SPRING WASHER		02
12	0503014018	1" NUT		02
13	0501060428	FRONT STABILIZER BAR		01
14	0501041219	REAR STABILIZER BAR ASSY	12	01
15	0501041372	DRAWBAR ASSY		01
16	0501041859	ADJUSTMENT BAR ASSY	14	01
17	0501060423	FRONT SCRAPER		08
18	0501060424	REAR SCRAPER		08
19	0501010299	SCRAPER LOCK		16
20	0503010233	5/8" X 2-1/2" BOLT		32
21	0501012140	FLAT WASHER		32
22	0503010027	5/8" SPRING WASHER		32
23	0503010013	5/8" NUT		32
24	0503062157	HEADER JACK		01
25	0521010549	COUPLING SHAFT		01
26	0501061044	2-1/8" AND 2-1/2" CABLE FLAT WRENCH		02
27	0501011432	1-1/2" AND 1-5/8 GANG BOLT WRENCH		01
28	0501061045	1" WRENCH CYLINDRICAL		01
29	0503010002	1800 GREASE FITTING		01
30	0503030168	HAIR PIN		02
31	0501041199	ADJUSTMENT BODY ASSY	15	01



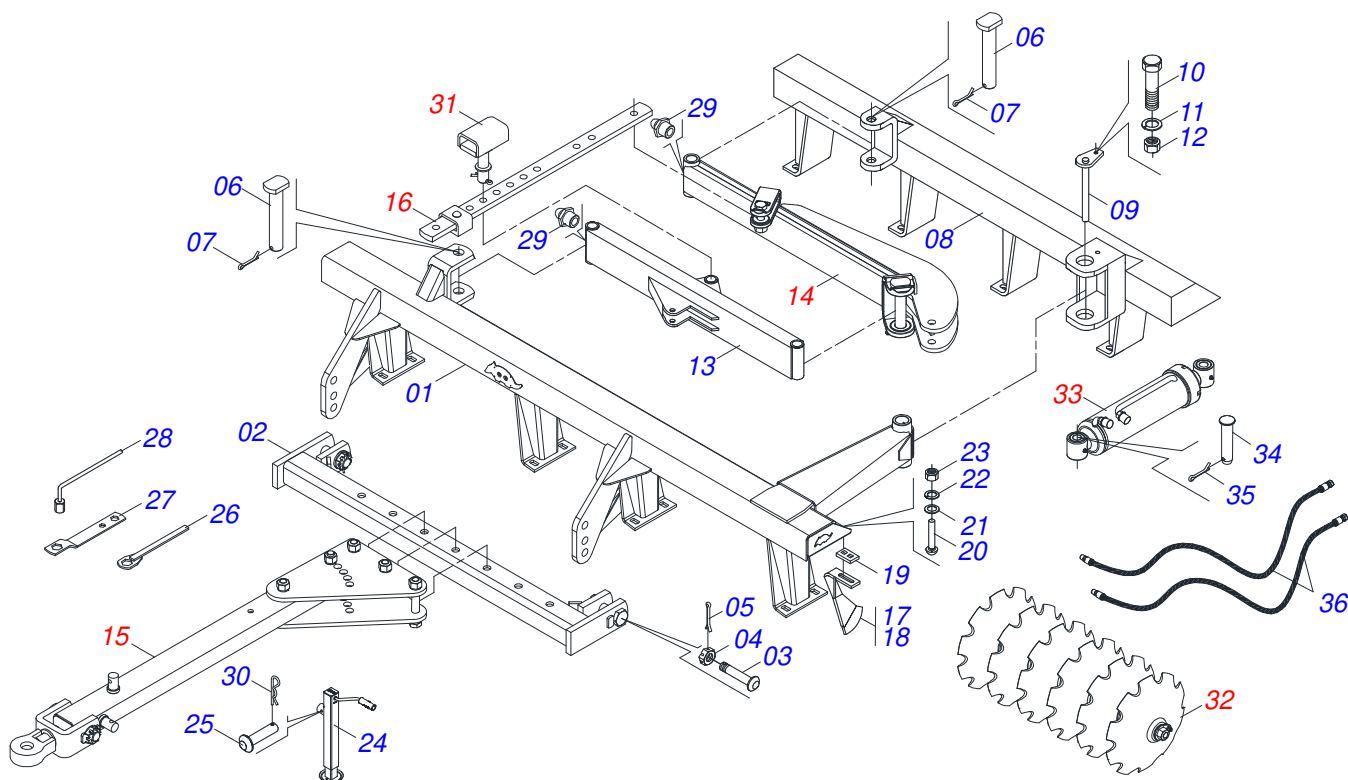
Item	Code	Description	See page	QT
32	0909094025	GANG DISC 16	19	
33	0511059185	HYDRAULIC CYLINDER	9	01
34	0521010581	0.9" X 4.9" COUPLING SHAFT		02
35	0521010571	COUPLING SHAFT		02
36	0501080001	1/2" X 177" TR-TM HOSE ASSY		02



Item	Code	Description	See page	QT
01	0501060438	FRONT FRAME		01
02	0501060435	43.7" OFFSET BAR		01
03	0501016416	1-1/2" X 5.4" BOLT		02
04	0501011301	1.1/2 UNC 6FPP 2.5/16 NUT		02
05	0503010010	1/4" X 2.1/2" COTTERPIN		02
06	0521010644	1.5" X 8.4" COUPLING SHAFT		03
07	0503010534	3/8 X 2-1/2 COTTERPIN		03
08	0501060439	REAR FRAME		01
09	0501062185	2.5" X 13.6" COUPLING SHAFT		01
10	0501010276	BOLT		01
11	0503010012	1" SPRING WASHER		02
12	0503014018	1" NUT		02
13	0501060428	FRONT STABILIZER BAR		01
14	0501041219	REAR STABILIZER BAR ASSY	12	01
15	0501041372	DRAWBAR ASSY		01
16	0501041859	ADJUSTMENT BAR ASSY	14	01
17	0501060423	FRONT SCRAPER		08
18	0501060424	REAR SCRAPER		08
19	0501010299	SCRAPER LOCK		16
20	0503010233	5/8" X 2-1/2" BOLT		36
21	0501012140	FLAT WASHER		36
22	0503010027	5/8" SPRING WASHER		36
23	0503010013	5/8" NUT		36
24	0503062157	HEADER JACK		01
25	0521010549	COUPLING SHAFT		01
26	0501061044	2-1/8" AND 2-1/2" CABLE FLAT WRENCH		02
27	0501011432	1-1/2" AND 1-5/8 GANG BOLT WRENCH		01
28	0501061045	1" WRENCH CYLINDRICAL		01
29	0503010002	1800 GREASE FITTING		01
30	0503030168	HAIR PIN		02
31	0501041199	ADJUSTMENT BODY ASSY	15	01



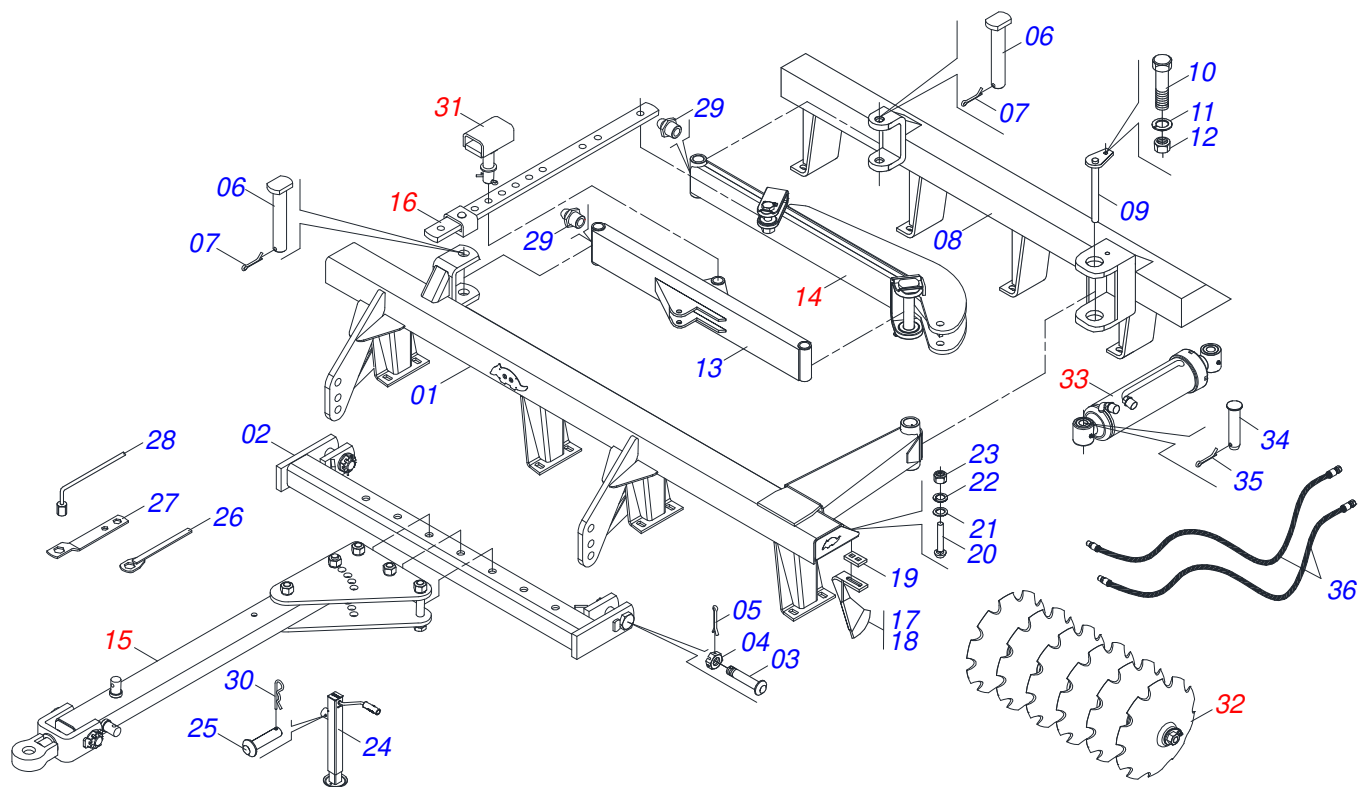
Item	Code	Description	See page	QT
32	0909094026	GANG DISC 18	20	
33	0511059156	HYDRAULIC CYLINDER	10	01
34	0521010581	0.9" X 4.9" COUPLING SHAFT		02
35	0503010571	1/4" X 1.1/2 COTTERPIN		02
36	0501080001	1/2" X 177" TR-TM HOSE ASSY		02



Item	Code	Description	See page	QT
01	0501060442	FRONT FRAME		01
02	0501060451	68.5" OFFSET BAR		01
03	0501016416	1-1/2" X 5.4" BOLT		02
04	0501011301	1.1/2 UNC 6FPP 2.5/16 NUT		02
05	0503010010	1/4" X 2.1/2" COTTERPIN		02
06	0521010644	1.5" X 8.4" COUPLING SHAFT		03
07	0503010534	3/8 X 2-1/2 COTTERPIN		03
08	0501060445	REAR FRAME		01
09	0501062185	2.5" X 13.6" COUPLING SHAFT		01
10	0501010276	BOLT		01
11	0503010012	1" SPRING WASHER		02
12	0503014018	1" NUT		02
13	0501060448	FRONT STABILIZER BAR		01
14	0501041229	REAR STABILIZER BAR ASSY		01
15	0501041372	DRAWBAR ASSY		01
16	0501041216	ADJUSTMENT BAR ASSY		01
17	0501060423	FRONT SCRAPER		10
18	0501060424	REAR SCRAPER		10
19	0501010299	SCRAPER LOCK		20
20	0503010233	5/8" X 2-1/2" BOLT		40
21	0501012140	FLAT WASHER		40
22	0503010027	5/8" SPRING WASHER		40
23	0503010013	5/8" NUT		40
24	0503062157	HEADER JACK		01
25	0521010549	COUPLING SHAFT		01
26	0501061044	2-1/8" AND 2-1/2" CABLE FLAT WRENCH		02
27	0501011432	1-1/2" AND 1-5/8 GANG BOLT WRENCH		01
28	0501061045	1" WRENCH CYLINDRICAL		01
29	0503010002	1800 GREASE FITTING		01
30	0503030168	HAIR PIN		02
31	0501041199	ADJUSTMENT BODY ASSY	15	01



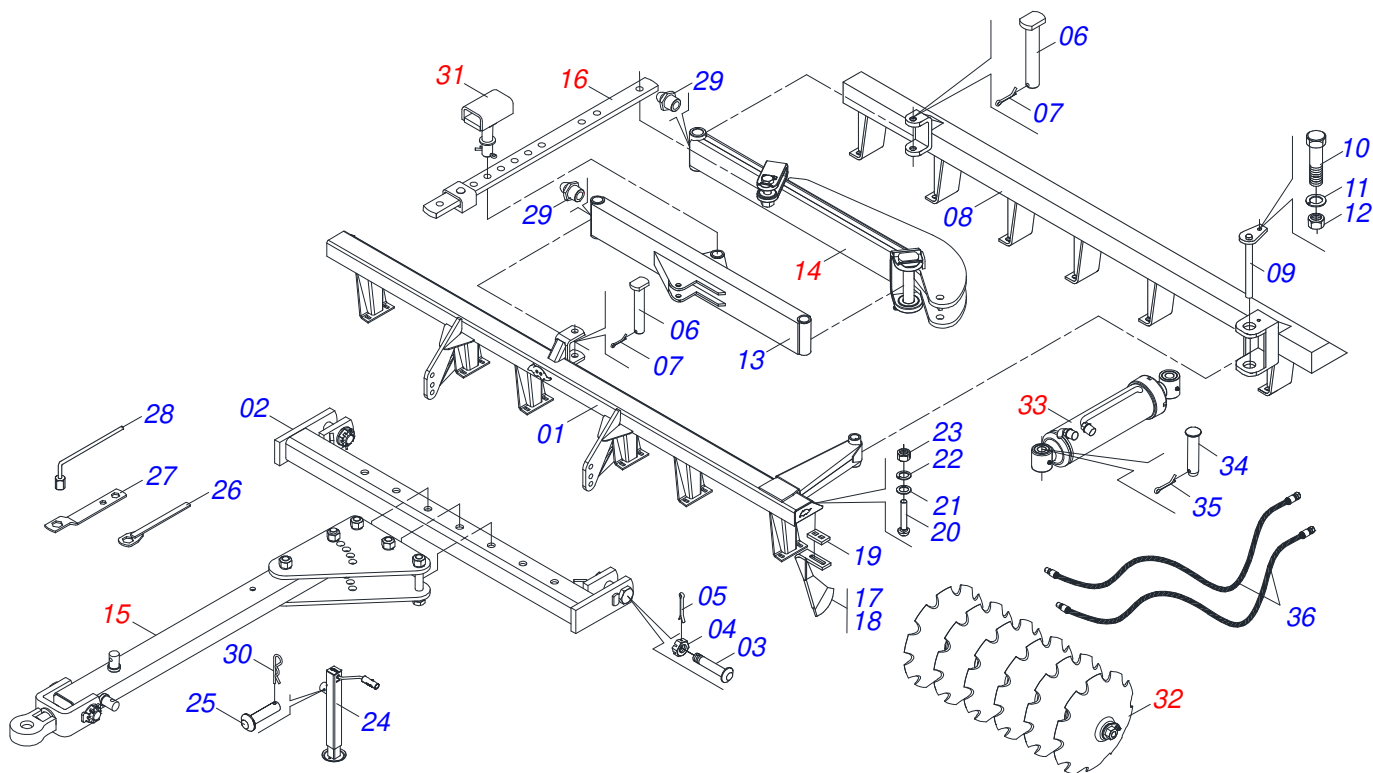
Item	Code	Description	See page	QT
32	0909094027	GANG DISC 20	21	
33	0511059156	HYDRAULIC CYLINDER	10	01
34	0521010581	0.9" X 4.9" COUPLING SHAFT		02
35	0503010571	1/4" X 1.1/2 COTTERPIN		02
36	0501080001	1/2" X 177" TR-TM HOSE ASSY		02



Item	Code	Description	See page	QT
01	0501060443	FRONT FRAME		01
02	0501060452	82.1" OFFSET BAR		01
03	0501016416	1-1/2" X 5.4" BOLT		02
04	0501011301	1.1/2 UNC 6FPP 2.5/16 NUT		02
05	0503010010	1/4" X 2.1/2" COTTERPIN		02
06	0521010644	1.5" X 8.4" COUPLING SHAFT		03
07	0503010534	3/8 X 2-1/2 COTTERPIN		03
08	0501060446	REAR FRAME		01
09	0501062185	2.5" X 13.6" COUPLING SHAFT		01
10	0501010276	BOLT		01
11	0503010012	1" SPRING WASHER		02
12	0503014018	1" NUT		02
13	0501060448	FRONT STABILIZER BAR		01
14	0501041229	REAR STABILIZER BAR ASSY		01
15	0501041372	DRAWBAR ASSY		01
16	0501041216	ADJUSTMENT BAR ASSY		01
17	0501060423	FRONT SCRAPER		12
18	0501060424	REAR SCRAPER		12
19	0501010299	SCRAPER LOCK		24
20	0503010233	5/8" X 2-1/2" BOLT		48
21	0501012140	FLAT WASHER		48
22	0503010027	5/8" SPRING WASHER		48
23	0503010013	5/8" NUT		48
24	0503062157	HEADER JACK		01
25	0521010549	COUPLING SHAFT		01
26	0501061044	2-1/8" AND 2-1/2" CABLE FLAT WRENCH		02
27	0501011432	1-1/2" AND 1-5/8 GANG BOLT WRENCH		01
28	0501061045	1" WRENCH CYLINDRICAL		01
29	0503010002	1800 GREASE FITTING		01
30	0503030168	HAIR PIN		02
31	0501041199	ADJUSTMENT BODY ASSY	15	01



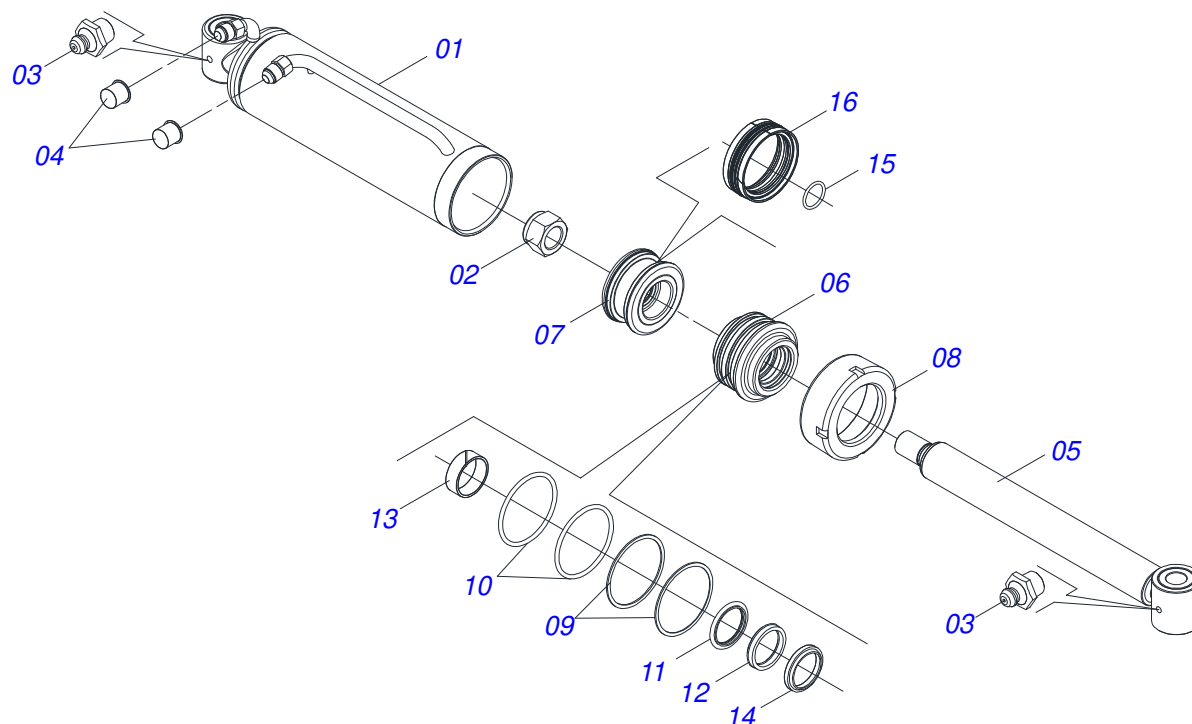
Item	Code	Description	See page	QT
32	0909094028	GANG DISC 24	22	
33	0511059156	HYDRAULIC CYLINDER	10	01
34	0521010581	0.9" X 4.9" COUPLING SHAFT		02
35	0503010571	1/4" X 1.1/2 COTTERPIN		02
36	0501080001	1/2" X 177" TR-TM HOSE ASSY		02



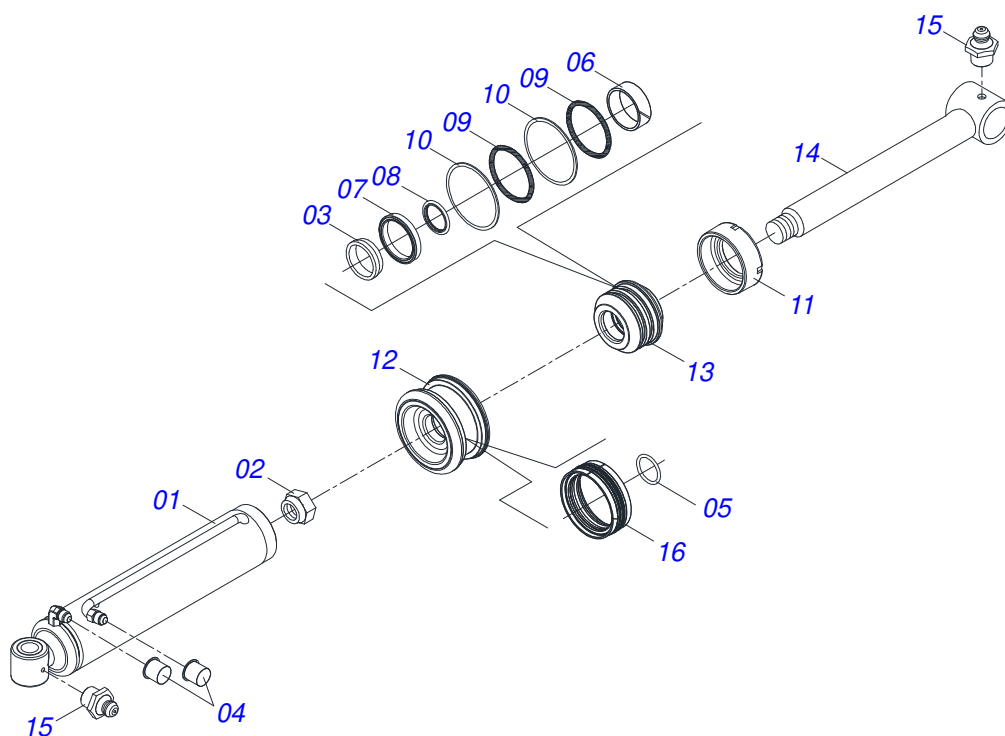
Item	Code	Description	See page	QT
01	0501065050	FRONT FRAME		01
02	0501065052	68.5" OFFSET BAR		01
03	0501810295	BOLT		02
04	0501011301	1.1/2 UNC 6FPP 2.5/16 NUT		02
05	0503010010	1/4" X 2.1/2" COTTERPIN		02
06	0521010644	1.5" X 8.4" COUPLING SHAFT		03
07	0503010534	3/8 X 2-1/2 COTTERPIN		03
08	0501065051	REAR FRAME		01
09	0501062185	2.5" X 13.6" COUPLING SHAFT		01
10	0501010276	BOLT		01
11	0503010012	1" SPRING WASHER		02
12	0503014018	1" NUT		02
13	0501060448	FRONT STABILIZER BAR		01
14	0501041229	REAR STABILIZER BAR ASSY		01
15	0501042882	GA 28 ASSY DRAWBAR		01
16	0501041216	ADJUSTMENT BAR ASSY		01
17	0501060423	FRONT SCRAPER		15
18	0501060424	REAR SCRAPER		15
19	0501010299	SCRAPER LOCK		30
20	0503010233	5/8" X 2-1/2" BOLT		60
21	0501012140	FLAT WASHER		60
22	0503010027	5/8" SPRING WASHER		60
23	0503010013	5/8" NUT		60
24	0503062157	HEADER JACK		01
25	0521010549	COUPLING SHAFT		01
26	0501061044	2-1/8" AND 2-1/2" CABLE FLAT WRENCH		02
27	0501011432	1-1/2" AND 1-5/8 GANG BOLT WRENCH		01
28	0501061045	1" WRENCH CYLINDRICAL		01
29	0503010002	1800 GREASE FITTING		01
30	0503030168	HAIR PIN		02
31	0501041199	ADJUSTMENT BODY ASSY	15	01



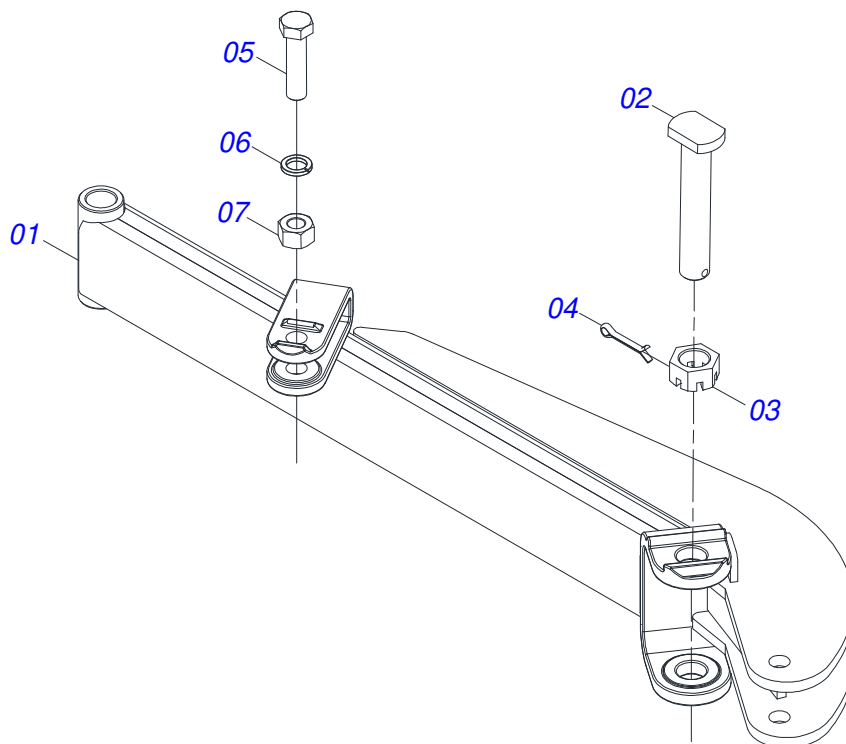
Item	Code	Description	See page	QT
32	0909094029	GANG DISC 30	23	
33	0511059156	HYDRAULIC CYLINDER	10	01
34	0521010581	0.9" X 4.9" COUPLING SHAFT		02
35	0503010571	1/4" X 1.1/2 COTTERPIN		02
36	0501080001	1/2" X 177" TR-TM HOSE ASSY		02



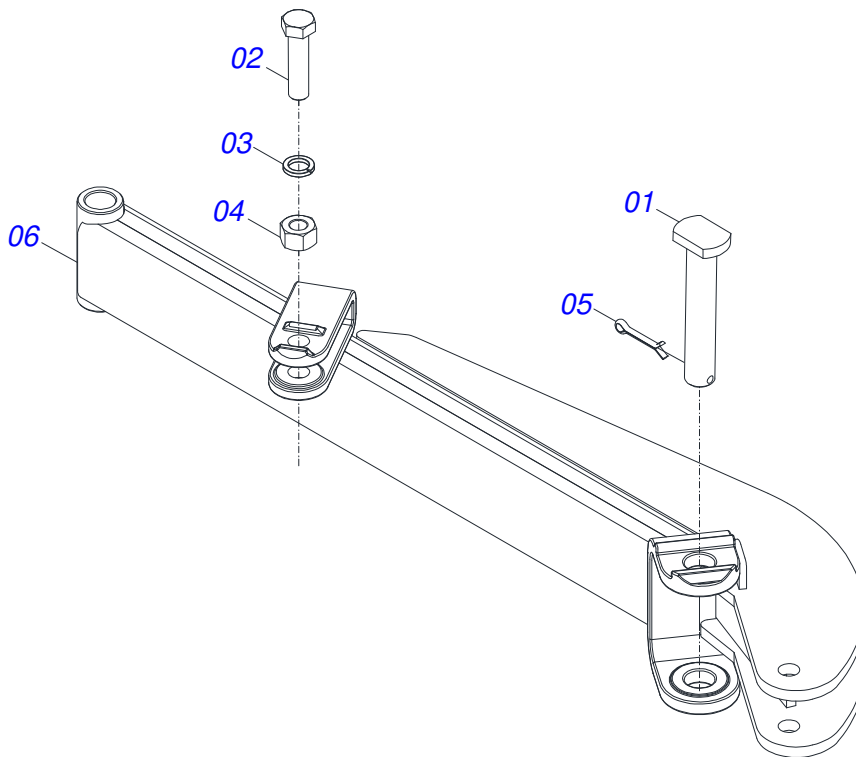
Item	Code	Description	See page	QT
001	0501060462	4" X 10.3" CYLINDER CASE		01
002	0503010817	1.1/4" SELF LOCKING NUT		01
003	0503010002	1800 GREASE FITTING		02
004	0503030387	PLUG		02
005	0521066346	HYDRAULIC CYLINDER TURNBUCKLE		01
006	0502012821	50.80 X 101.60 RING SUPPORT		01
007	0502012820	50.80 X 101.60 PISTON		01
008	0502012822	101.60 END CAP		01
009	0503011061	8-342 BACK-UP RING		02
010	0503010338	2-342 N 3006-9B O'RING		02
011	0503018024	RING BS		01
012	0503018026	1870-2000-375 B GASKET		01
013	0503018025	RING GUIDE		01
014	0503010039	D-2000 SCRAPER RING		01
015	0503018029	2-217 O'RING		01
016	0503015633	SELEMASTER SEALING		01



Item	Code	Description	See page	QT
001	0521066349	CYLINDER CASE		01
002	0503010817	1.1/4" SELF LOCKING NUT		01
003	0503010039	D-2000 SCRAPER RING		01
004	0503030387	PLUG		02
005	0503018029	2-217 O'RING		01
006	0503018025	RING GUIDE		01
007	0503018026	1870-2000-375 B GASKET		01
008	0503018024	RING BS		01
009	0503010338	2-342 N 3006-9B O'RING		02
010	0503011061	8-342 BACK-UP RING		02
011	0502012822	101.60 END CAP		01
012	0502012820	50.80 X 101.60 PISTON		01
013	0502012821	50.80 X 101.60 RING SUPPORT		01
014	0511070665	TURNBUCLELE		01
015	0503010002	1800 GREASE FITTING		02
016	0503015633	SELEMASTER SEALING		01

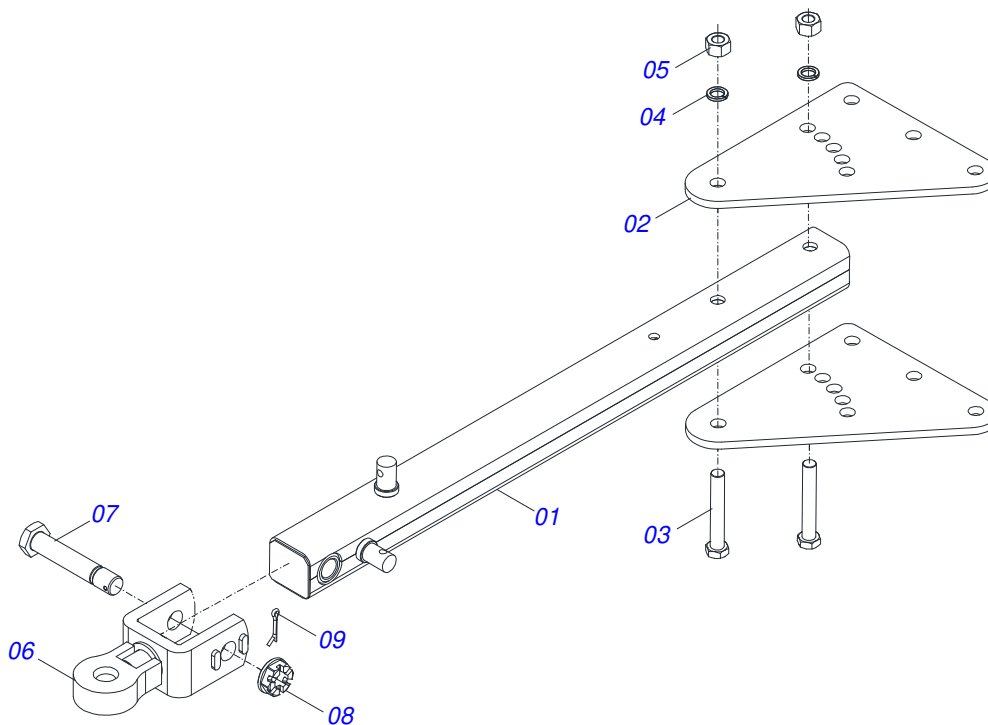


Item	Code	Description	See page	QT
001	0501060431	REAR STABILIZER BAR		01
002	0501010302	1-1/2" X 9.2" BOLT		01
003	0501011301	1.1/2 UNC 6FPP 2.5/16 NUT		01
004	0503010010	1/4" X 2.1/2" COTTERPIN		01
005	0501010215	1" X 4-1/2" BOLT		01
006	0503011438	SPRING WASHER		01
007	0501010059	1.5/8 NUT		01

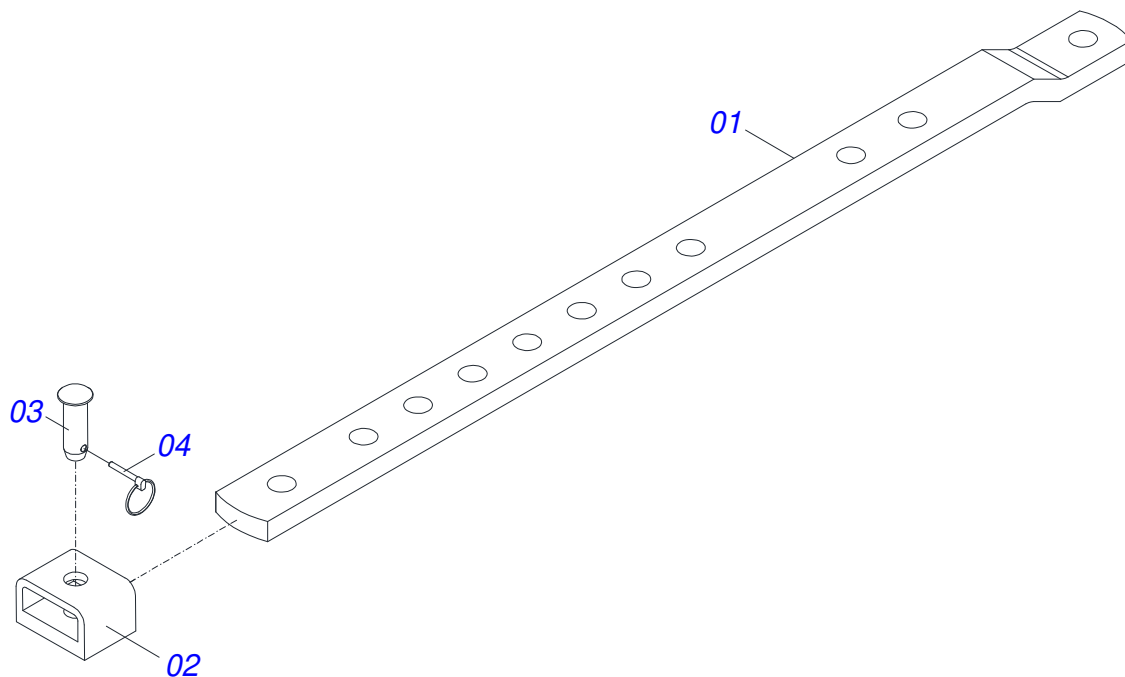


Item	Code	Description	See page	QT
001	0521010644	1.5" X 8.4" COUPLING SHAFT		01
002	0503011432	BOLT		01
003	0503011438	SPRING WASHER		01
004	0501010059	1.5/8 NUT		01
005	0503010534	3/8 X 2-1/2 COTTERPIN		01
006	0501060433	REAR STABILIZER BAR		01

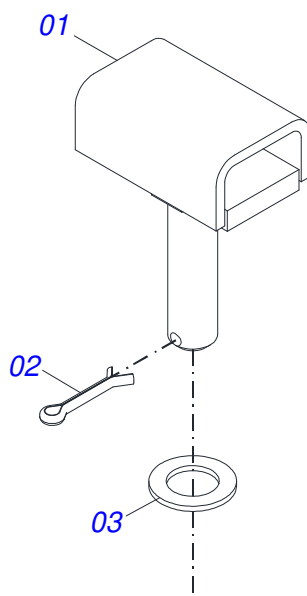
DRAWBAR ASSY



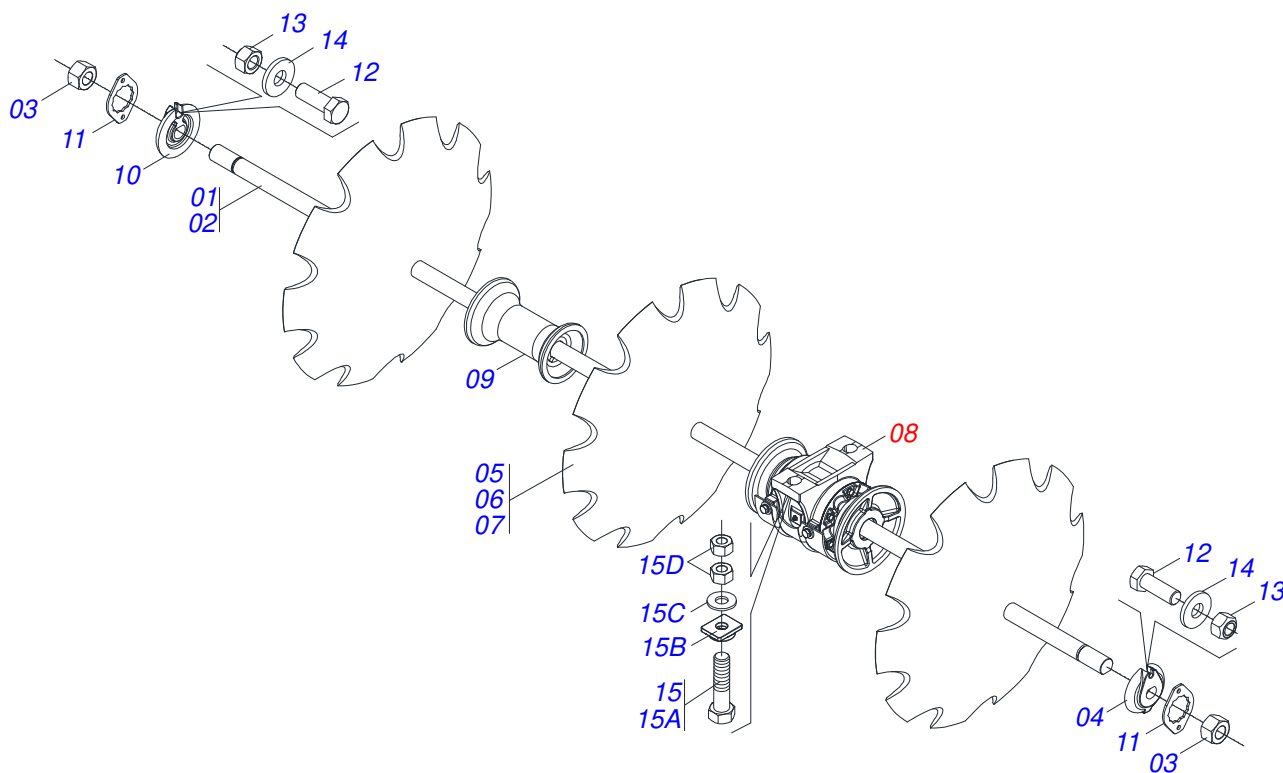
Item	Code	Description	See page	QT
001	0501066715	DRAWBAR ASSY		01
002	0511013000	UPPER /LOWER PLATE		02
003	0501010060	1" X 6-1/2" BOLT		05
004	0503011438	SPRING WASHER		05
005	0501010059	1.5/8 NUT		05
006	0501062869	TRACTOR HITCH		01
007	0501017291	1-1/2" X 8.1" BOLT		01
008	0501011301	1.1/2 UNC 6FPP 2.5/16 NUT		01
009	0503010010	1/4" X 2.1/2" COTTERPIN		01



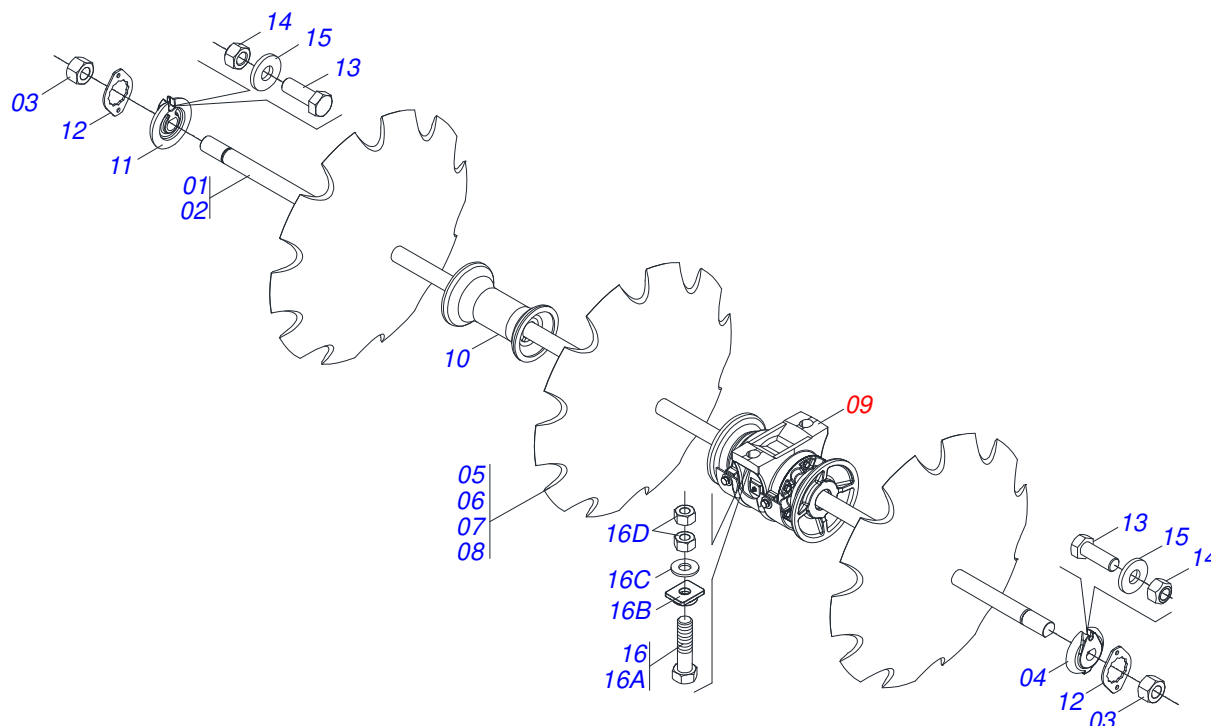
Item	Code	Description	See page	QT
001	0501013208	ADJUSTMENT BAR		01
002	0501060434	BEATER BOX		01
003	0521010572	0.9" X 2.9" COUPLING SHAFT		01
004	0503030085	LOCK PIN		01



Item	Code	Description	See page	QT
01	0501063206	ADJUSTMENT BODY		01
02	0503010534	3/8 X 2-1/2 COTTERPIN		01
03	0501012916	FLAT WASHER 38,50 X 66 X 4,75 ZN		01

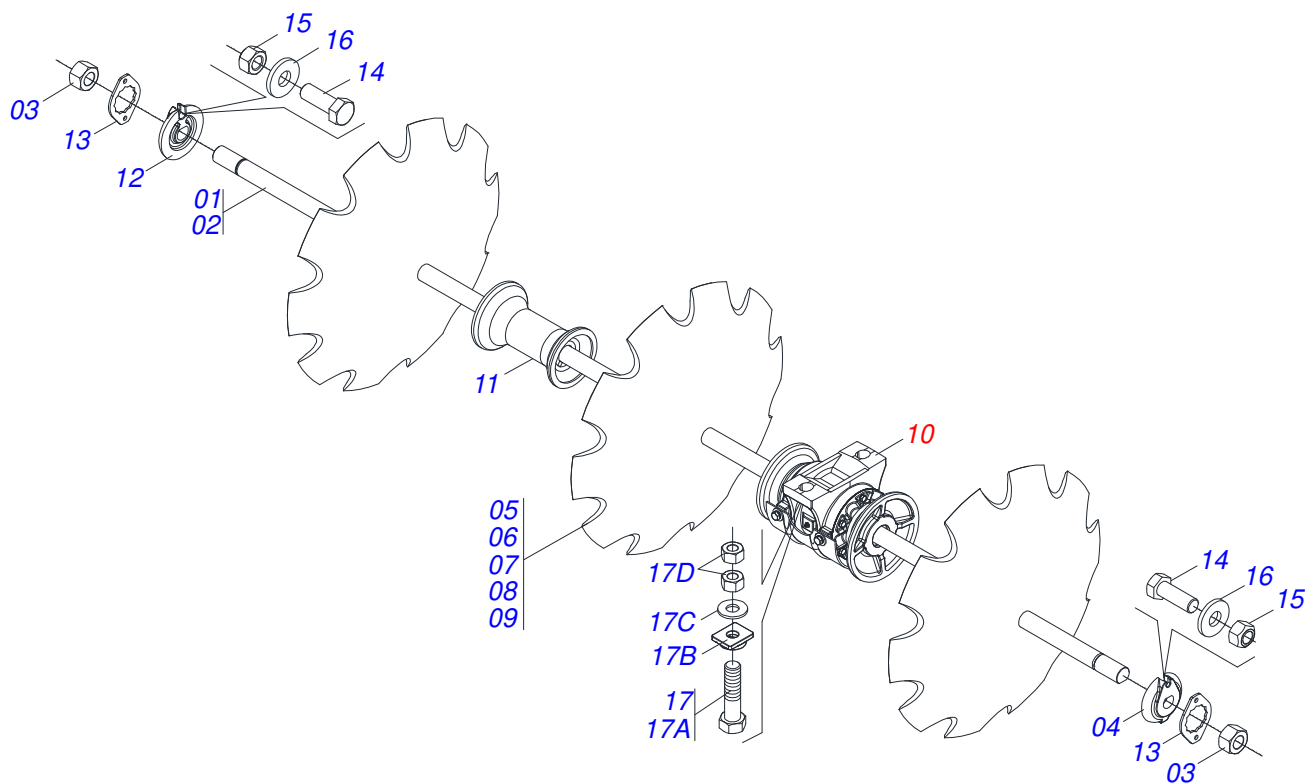


Item	Code	Description	See page	QT
01	0511047064	2-1/8" X 1580 AXLE		02
02	0551017147	2-1/8" X 1580 AXLE		02
03	0502040063	2.1/8" X 54 99 NUT		04
04	0502010594	2-1/8" EXTERNAL AXLE WASHER		02
05	0602040001	30" X 0.3" NOTCHED DISC BLADE		10
06	0602044003	32" X 0.5" NOTCHED DISC BLADE		10
07	0602044001	32" X 0.3" NOTCHED DISC BLADE		10
08	0501046926	330MM X 2-1/8" RD. OIL BATH BEARING	25	04
09	0502010643	13" 2-1/8" SPACER		04
10	0502010595	2-1/8" INNER AXLE WASHER		02
11	0541010368	NUT LOCK		04
12	0503010233	5/8" X 2-1/2" BOLT		08
13	0503010013	5/8" NUT		08
14	0511017302	FLAT WASHER		08
15	0501042139	1" X 4.3" ASSY BOLT		08
15A	0501011547	1" X 4-1/2" BOLT		08
15B	0502012861	1" SQUARE WASHER		08
15C	0541010210	FLAT WASHER		08
15D	0501010059	1.5/8 NUT		16



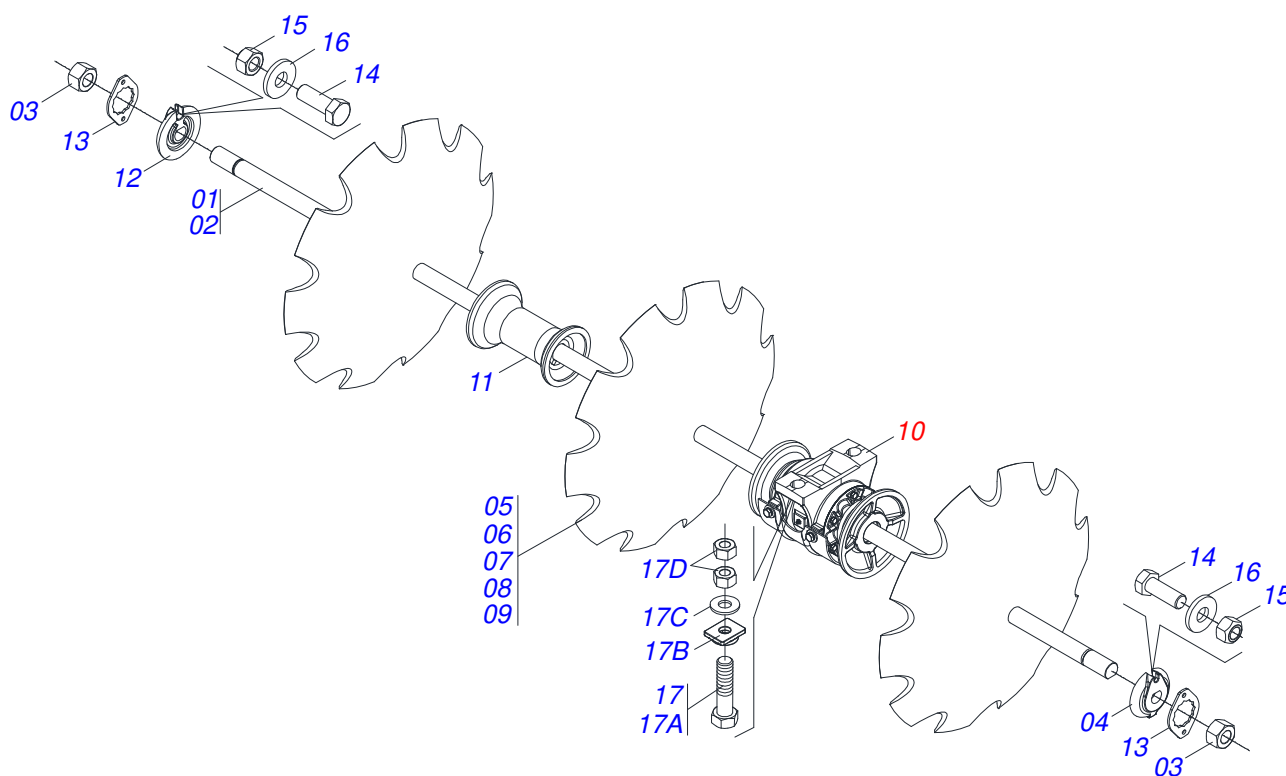
Item	Code	Description	See page	QT
01	0511042123	2-1/8" X 76" AXLE WITH NUTS		02
02	0501013759	2-1/8" X 76" AXLE		02
03	0502040063	2.1/8" X 54 99 NUT		04
04	0502010594	2-1/8" EXTERNAL AXLE WASHER		02
05	0602037002	28" X 0.3" NOTCHED DISC BLADE		12
06	0602040001	30" X 0.3" NOTCHED DISC BLADE		12
07	0602044001	32" X 0.3" NOTCHED DISC BLADE		12
08	0602044003	32" X 0.5" NOTCHED DISC BLADE		12
09	0501046926	330MM X 2-1/8" RD. OIL BATH BEARING	25	04
10	0502010643	13" 2-1/8" SPACER		06
11	0502010595	2-1/8" INNER AXLE WASHER		02
12	0541010368	NUT LOCK		04
13	0503010233	5/8" X 2-1/2" BOLT		08
14	0503010013	5/8" NUT		08
15	0511017302	FLAT WASHER		08
16	0501042139	1" X 4.3" ASSY BOLT		08
16A	0501011547	1" X 4-1/2" BOLT		08
16B	0502012861	1" SQUARE WASHER		08
16C	0541010210	FLAT WASHER		08
16D	0501010059	1.5/8 NUT		16

GANG DISC 14

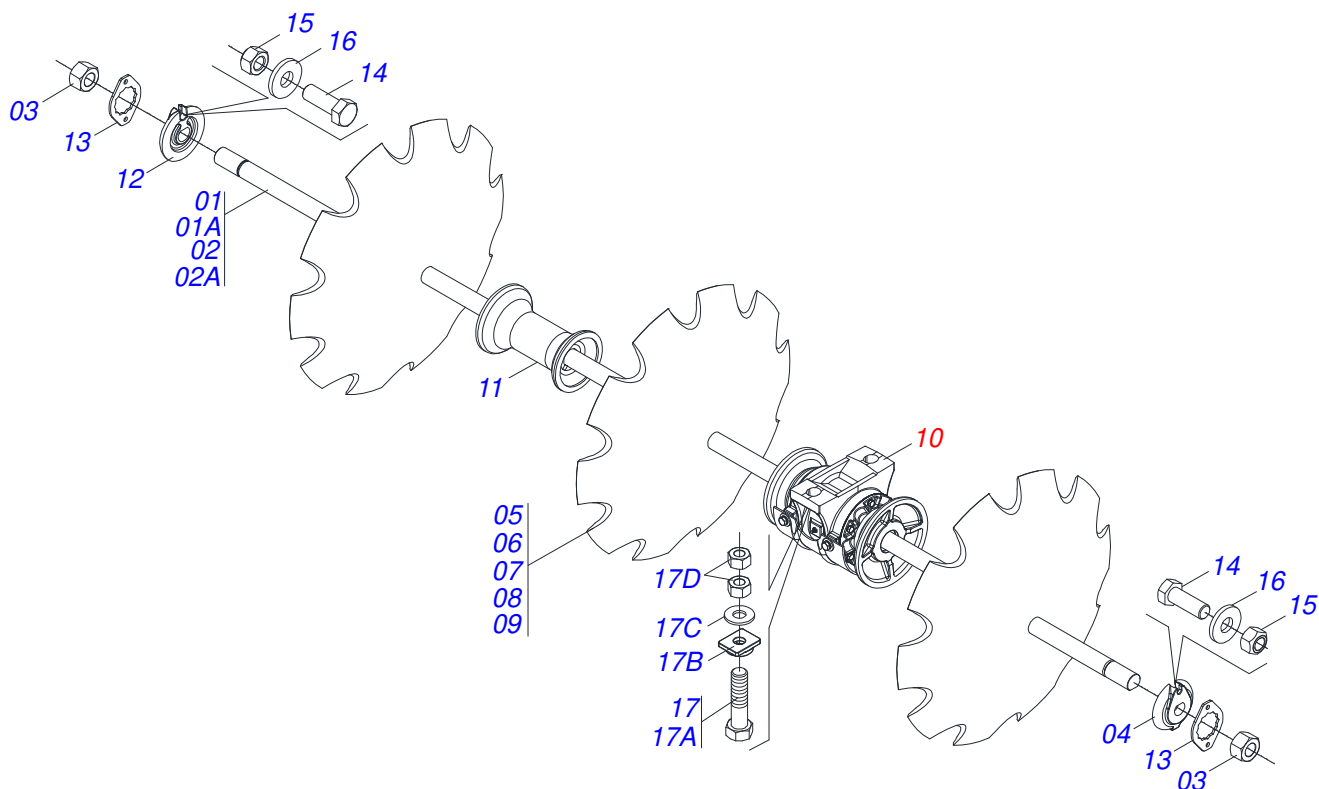


Item	Code	Description	See page	QT
01	0501041514	2-1/8" X 8.9" AXLE WITH NUTS		02
02	0501013760	2-1/8" X 8.9" AXLE		02
03	0502040063	2.1/8" X 54 99 NUT		04
04	0502010594	2-1/8" EXTERNAL AXLE WASHER		02
05	0602037002	28" X 0.3" NOTCHED DISC BLADE		14
06	0602040001	30" X 0.3" NOTCHED DISC BLADE		14
07	0602044003	32" X 0.5" NOTCHED DISC BLADE		14
08	0602044001	32" X 0.3" NOTCHED DISC BLADE		14
09	0602046013	34" X 0.3" NOTCHED DISC BLADE		14
10	0501046926	330MM X 2-1/8" RD. OIL BATH BEARING	25	04
11	0502010643	13" 2-1/8" SPACER		08
12	0502010595	2-1/8" INNER AXLE WASHER		02
13	0541010368	NUT LOCK		04
14	0503010233	5/8" X 2-1/2" BOLT		08
15	0503010013	5/8" NUT		08
16	0511017302	FLAT WASHER		08
17	0501042139	1" X 4.3" ASSY BOLT		08
17A	0501011547	1" X 4-1/2" BOLT		08
17B	0502012861	1" SQUARE WASHER		08
17C	0541010210	FLAT WASHER		08
17D	0501010059	1.5/8" NUT		16

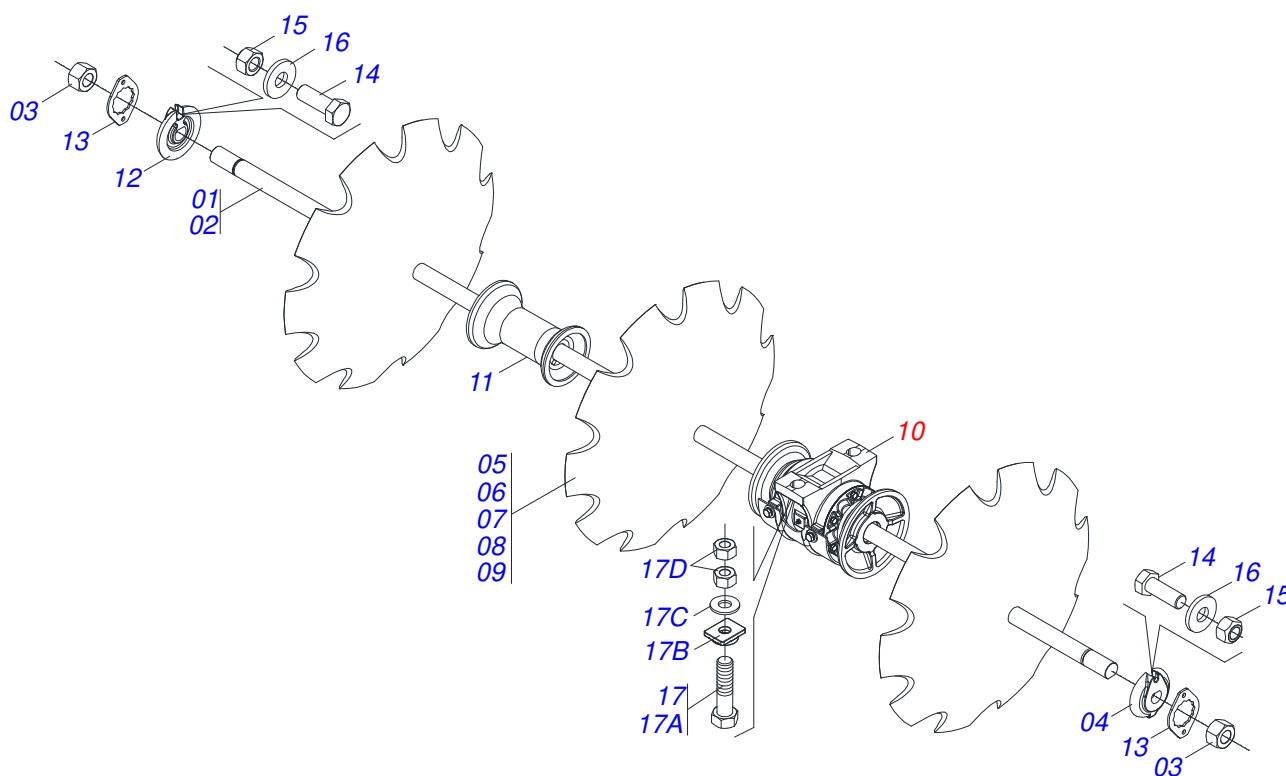
GANG DISC 16



Item	Code	Description	See page	QT
01	0501041515	2-1/8" X 102" AXLE WITH NUTS		02
02	0501013761	2-1/8" X 102" AXLE		02
03	0502040063	2.1/8" X 54 99 NUT		04
04	0502010594	2-1/8" EXTERNAL AXLE WASHER		02
05	0602037002	28" X 0.3" NOTCHED DISC BLADE		16
06	0602040001	30" X 0.3" NOTCHED DISC BLADE		16
07	0602044003	32" X 0.5" NOTCHED DISC BLADE		16
08	0602044001	32" X 0.3" NOTCHED DISC BLADE		16
09	0602046013	34" X 0.3" NOTCHED DISC BLADE		16
10	0501046926	330MM X 2-1/8" RD. OIL BATH BEARING	25	06
11	0502010643	13" 2-1/8" SPACER		08
12	0502010595	2-1/8" INNER AXLE WASHER		02
13	0541010368	NUT LOCK		04
14	0503010233	5/8" X 2-1/2" BOLT		08
15	0503010013	5/8" NUT		08
16	0511017302	FLAT WASHER		08
17	0501042139	1" X 4.3" ASSY BOLT		12
17A	0501011547	1" X 4-1/2" BOLT		12
17B	0502012861	1" SQUARE WASHER		12
17C	0541010210	FLAT WASHER		12
17D	0501010059	1.5/8 NUT		24

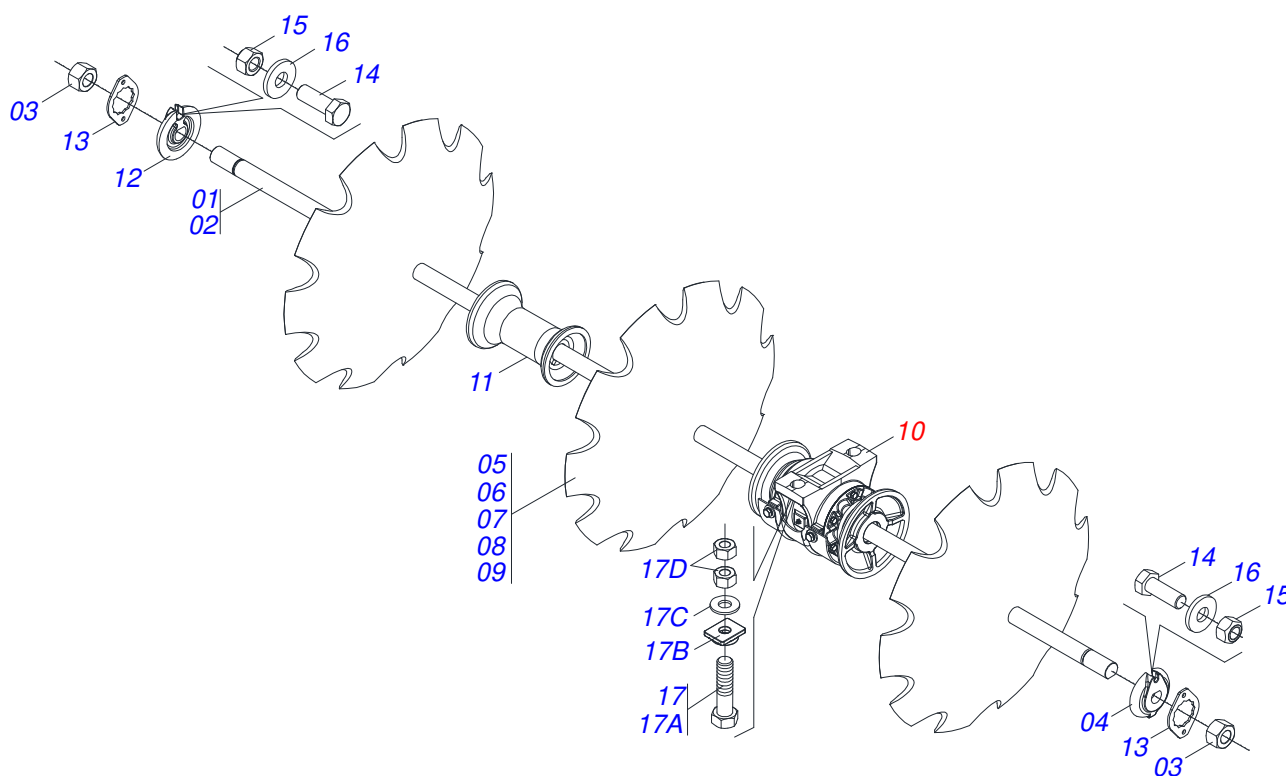


Item	Code	Description	See page	QT
01	0501041516	2-1/8" X 49" AXLE WITH NUTS		02
01A	0501013757	2-1/8" X 49" AXLE		02
02	0501041497	2-1/8 X 63" AXLE WITH NUTS		02
02A	0501013758	2-1/8" X 63" AXLE		02
03	0502040063	2.1/8" X 54 99 NUT		08
04	0502010594	2-1/8" EXTERNAL AXLE WASHER		02
05	0602037002	28" X 0.3" NOTCHED DISC BLADE		18
06	0602040001	30" X 0.3" NOTCHED DISC BLADE		18
07	0602040070	32" X 9 NOTCHED DISC BLADE		18
08	0602044001	32" X 0.3" NOTCHED DISC BLADE		18
09	0602044003	32" X 0.5" NOTCHED DISC BLADE		18
10	0501046917	13" X 2-1/8" PR BEARING ASSY	24	08
11	0502010643	13" 2-1/8" SPACER		06
12	0502010595	2-1/8" INNER AXLE WASHER		04
13	0541010368	NUT LOCK		08
14	0503010233	5/8" X 2-1/2" BOLT		16
15	0503010013	5/8" NUT		16
16	0511017302	FLAT WASHER		16
17	0501042139	1" X 4.3" ASSY BOLT		16
17A	0501011547	1" X 4-1/2" BOLT		16
17B	0502012861	1" SQUARE WASHER		16
17C	0541010210	FLAT WASHER		16
17D	0501010059	1.5/8 NUT		32

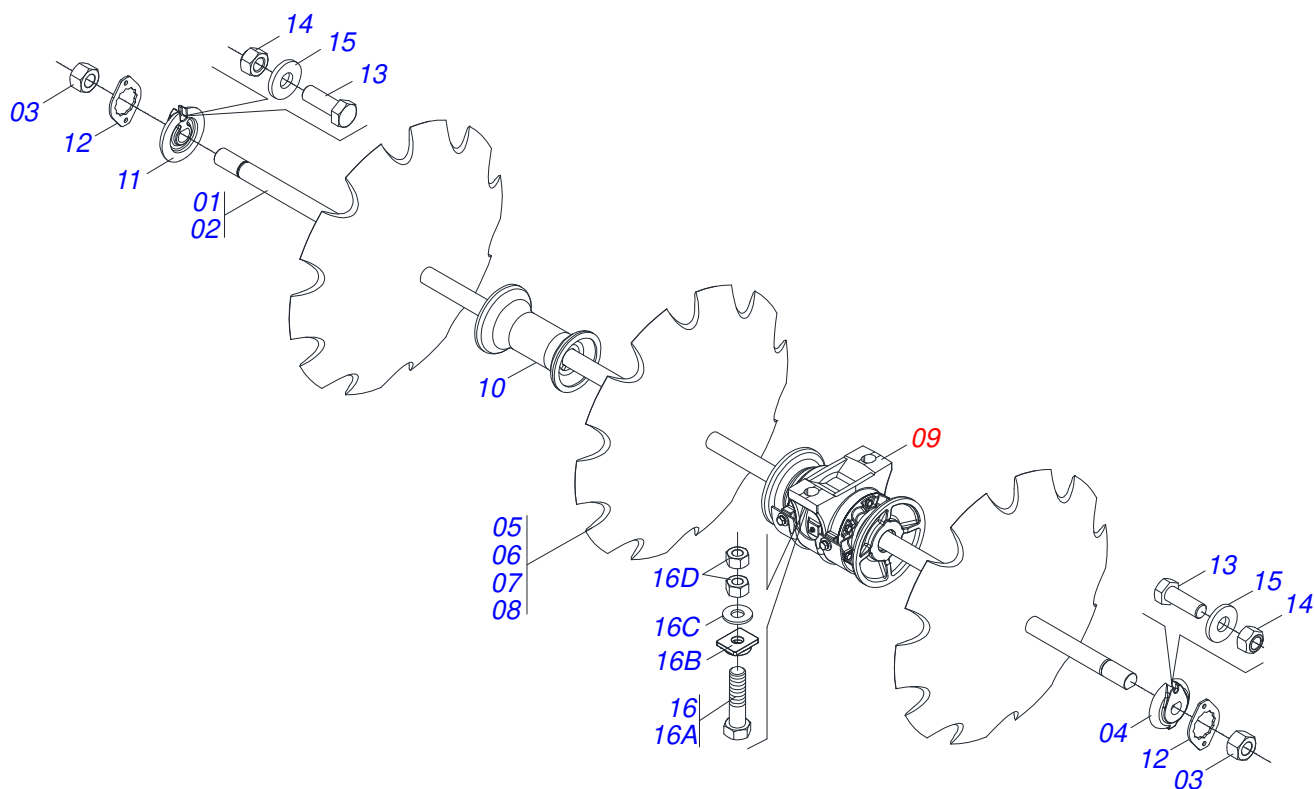


Item	Code	Description	See page	QT
01	0511047064	2-1/8" X 1580 AXLE		04
02	0551017147	2-1/8" X 1580 AXLE		04
03	0502040063	2.1/8" X 54 99 NUT		08
04	0502010594	2-1/8" EXTERNAL AXLE WASHER		04
05	0602037002	28" X 0.3" NOTCHED DISC BLADE		20
06	0602040001	30" X 0.3" NOTCHED DISC BLADE		20
07	0602044003	32" X 0.5" NOTCHED DISC BLADE		20
08	0602044001	32" X 0.3" NOTCHED DISC BLADE		20
09	0602046013	34" X 0.3" NOTCHED DISC BLADE		20
10	0501046917	13" X 2-1/8" PR BEARING ASSY	24	08
11	0502010643	13" 2-1/8" SPACER		08
12	0502010595	2-1/8" INNER AXLE WASHER		04
13	0541010368	NUT LOCK		08
14	0503010233	5/8" X 2-1/2" BOLT		16
15	0503010013	5/8" NUT		16
16	0511017302	FLAT WASHER		16
17	0501042139	1" X 4.3" ASSY BOLT		16
17A	0501011547	1" X 4-1/2" BOLT		16
17B	0502012861	1" SQUARE WASHER		16
17C	0541010210	FLAT WASHER		16
17D	0501010059	1.5/8 NUT		32

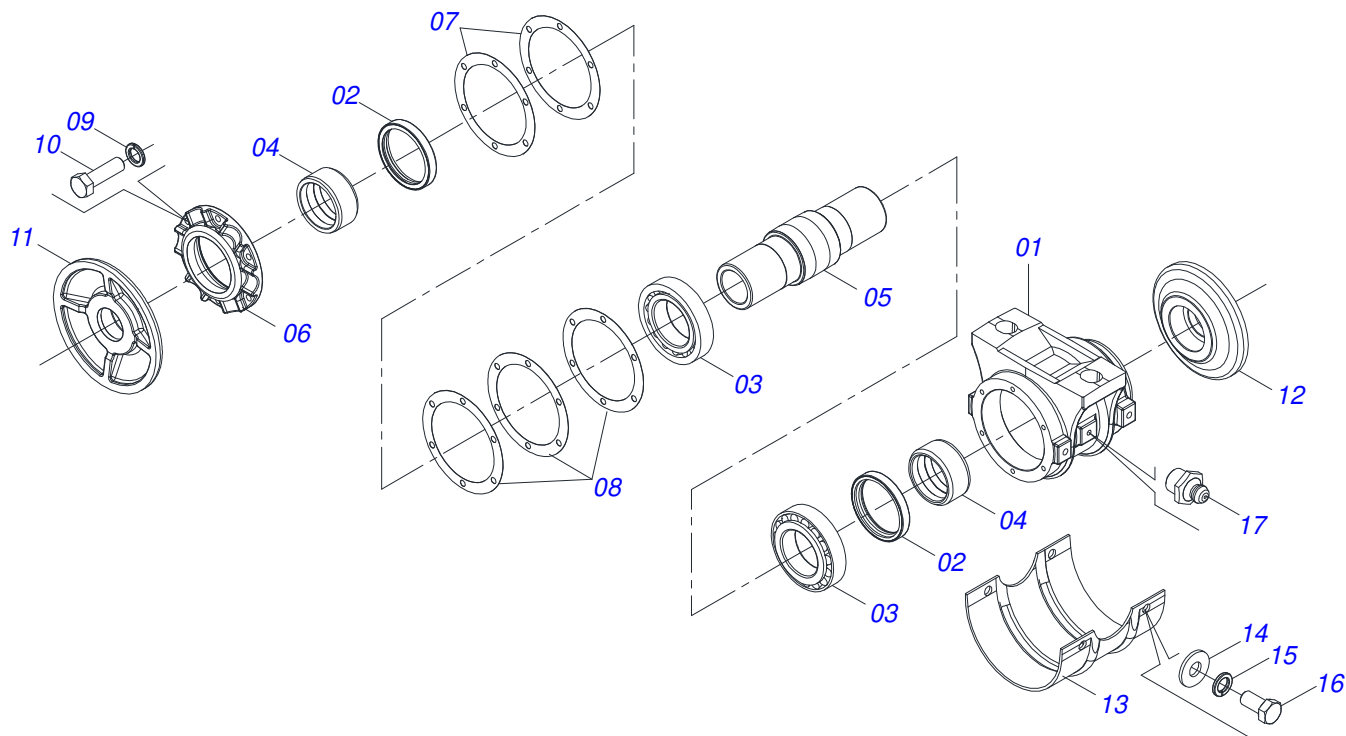
GANG DISC 24



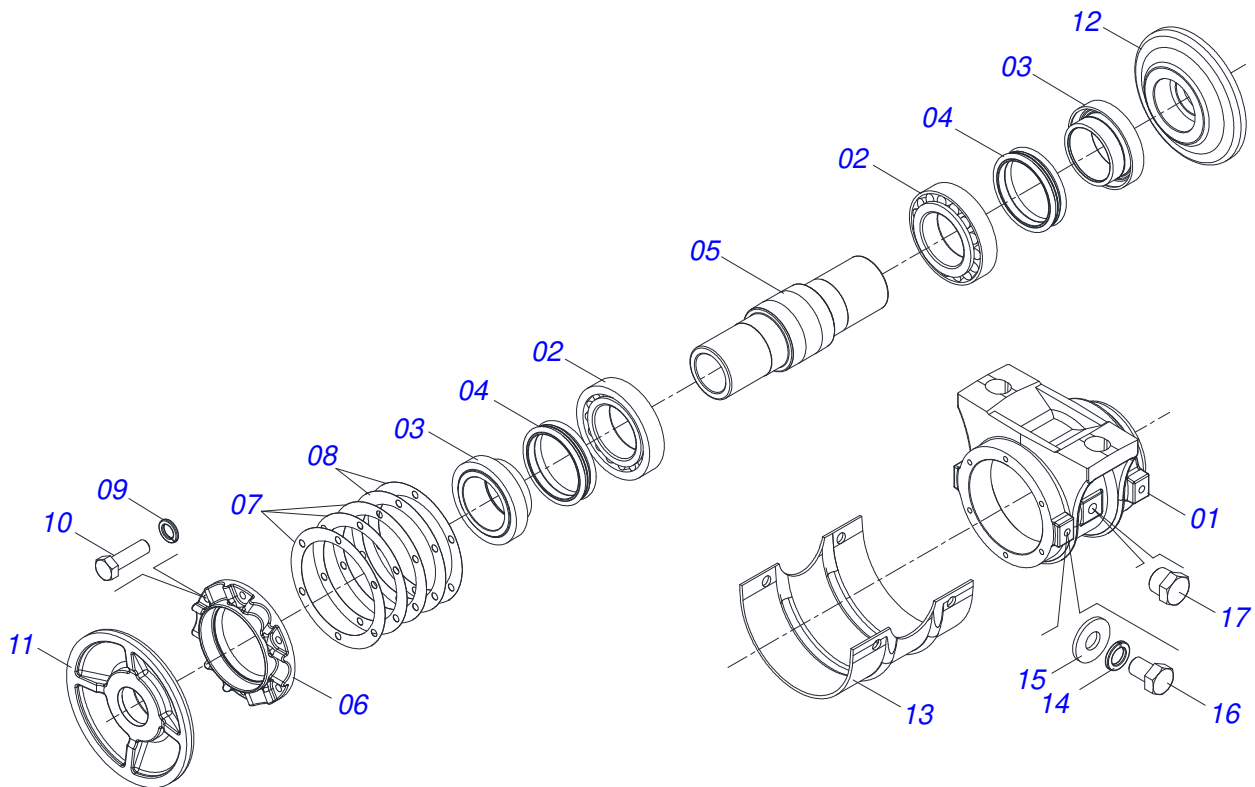
Item	Code	Description	See page	QT
01	0511042123	2-1/8" X 76" AXLE WITH NUTS		04
02	0501013759	2-1/8" X 76" AXLE		04
03	0502040063	2.1/8" X 54 99 NUT		08
04	0502010594	2-1/8" EXTERNAL AXLE WASHER		04
05	0602037002	28" X 0.3" NOTCHED DISC BLADE		24
06	0602040001	30" X 0.3" NOTCHED DISC BLADE		24
07	0602044003	32" X 0.5" NOTCHED DISC BLADE		24
08	0602044001	32" X 0.3" NOTCHED DISC BLADE		24
09	0602046013	34" X 0.3" NOTCHED DISC BLADE		24
10	0501046917	13" X 2-1/8" PR BEARING ASSY	24	08
11	0502010643	13" 2-1/8" SPACER		12
12	0502010595	2-1/8" INNER AXLE WASHER		04
13	0541010368	NUT LOCK		08
14	0503010233	5/8" X 2-1/2" BOLT		16
15	0503010013	5/8" NUT		16
16	0511017302	FLAT WASHER		16
17	0501042139	1" X 4.3" ASSY BOLT		16
17A	0501011547	1" X 4-1/2" BOLT		16
17B	0502012861	1" SQUARE WASHER		16
17C	0541010210	FLAT WASHER		16
17D	0501010059	1.5/8 NUT		32



Item	Code	Description	See page	QT
01	0511042123	2-1/8" X 76" AXLE WITH NUTS		04
02	0501013759	2-1/8" X 76" AXLE		04
03	0502040063	2.1/8" X 54 99 NUT		08
04	0502010594	2-1/8" EXTERNAL AXLE WASHER		04
05	0602044003	32" X 0.5" NOTCHED DISC BLADE		24
06	0602040001	30" X 0.3" NOTCHED DISC BLADE		24
07	0602044001	32" X 0.3" NOTCHED DISC BLADE		24
08	0602046013	34" X 0.3" NOTCHED DISC BLADE		24
09	0501046917	13" X 2-1/8" PR BEARING ASSY	24	12
10	0502010643	13" 2-1/8" SPACER		12
11	0502010595	2-1/8" INNER AXLE WASHER		04
12	0541010368	NUT LOCK		08
13	0503010233	5/8" X 2-1/2" BOLT		16
14	0503010013	5/8" NUT		16
15	0511017302	FLAT WASHER		16
16	0501042139	1" X 4.3" ASSY BOLT		16
16A	0501011547	1" X 4-1/2" BOLT		16
16B	0502012861	1" SQUARE WASHER		16
16C	0541010210	FLAT WASHER		16
16D	0501010059	1.5/8 NUT		32



Item	Code	Description	See page	QT
001	0502010739	HOUSING CM		01
002	0503010094	02060-GB SEAL		02
003	0503010117	32216 ROLLER BEARING		02
004	0521010488	SPACER		02
005	0502040034	BEARING AXLE		01
006	0502010661	HOUSING CAP CM		01
007	0503030686	7.1" X 5.5" X 0.004" JOINT		02
008	0503030536	7.1" X 5.5" X 0.01" JOINT		03
009	0503011443	3/8" SPRING WASHER		06
010	0503010751	C3/8" X 1.1/4" HEX BOLT G.5		06
011	0502040260	OUTER FLANGE		01
012	0502040261	INNER FLANGE		01
013	0511013169	PROTECTION COVER BEARING		01
014	0511017302	FLAT WASHER		04
015	0503010019	1/2" SPRING WASHER		04
016	0503010834	1/2 X 1 BOLT		04
017	0503010002	1800 GREASE FITTING		02



Item	Code	Description	See page	QT
001	0502010742	HOUSING DM		01
002	0503010117	32216 ROLLER BEARING		02
003	0502040123	SEAL RETAINER		02
004	0503030028	JB-257 SEAL		02
005	0502040034	BEARING AXLE		01
006	0502010645	HOUSING CAP DM		01
007	0503030536	7.1" X 5.5" X 0.01" JOINT		03
008	0503030686	7.1" X 5.5" X 0.004" JOINT		02
009	0503011443	3/8" SPRING WASHER		06
010	0503010751	C3/8" X 1.1/4" HEX BOLT G.5		06
011	0502040260	OUTER FLANGE		01
012	0502040261	INNER FLANGE		01
013	0511013169	PROTECTION COVER BEARING		01
014	0503010019	1/2" SPRING WASHER		04
015	0511017302	FLAT WASHER		04
016	0503011401	1/2" X 3/4" BOLT		04
017	0503010856	OIL PLUG		02



www.marchesan.com.br



Technical Publications | Elaboration and Revision
MARINA PEREZ NIZA