

PCA T | PCA PLUS - AGRICULTURAL FRONT LOADER

PCA-T PLUS 1500 VALTRA A750/850 BT CD S/AR SL

Code: 0501092177

Series: S-0716

Revision: 00

Date Revision: ABRIL/2021

PARTS CATALOGUE



MARCHESAN



PRODUCTS

Code	Description
0106111625	PCA-T PLUS 1500 VTR A750/850 BTCD S/AR SL S716

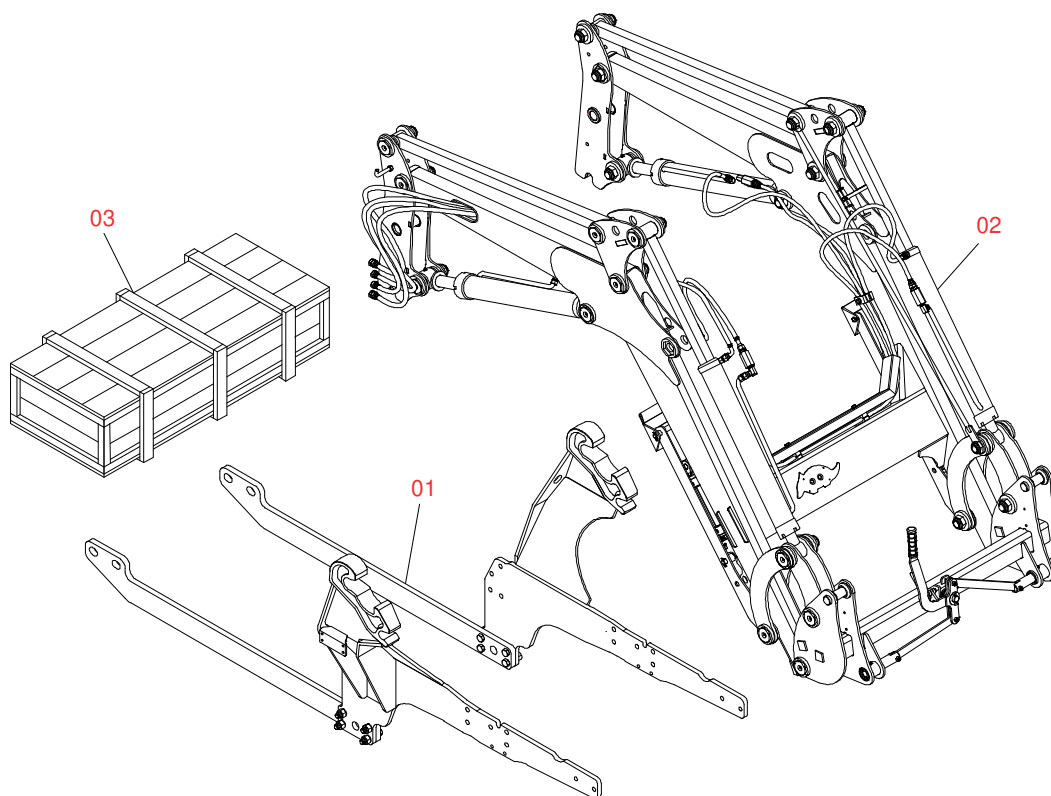
ATTENTION: IMPORTANT

Marchesan S.A. reserves the right to improve and/or modify the technical features of its products, without obligation to do the same with those products already sold and without prior knowledge of the dealer or the consumer. The photos are only illustrative.

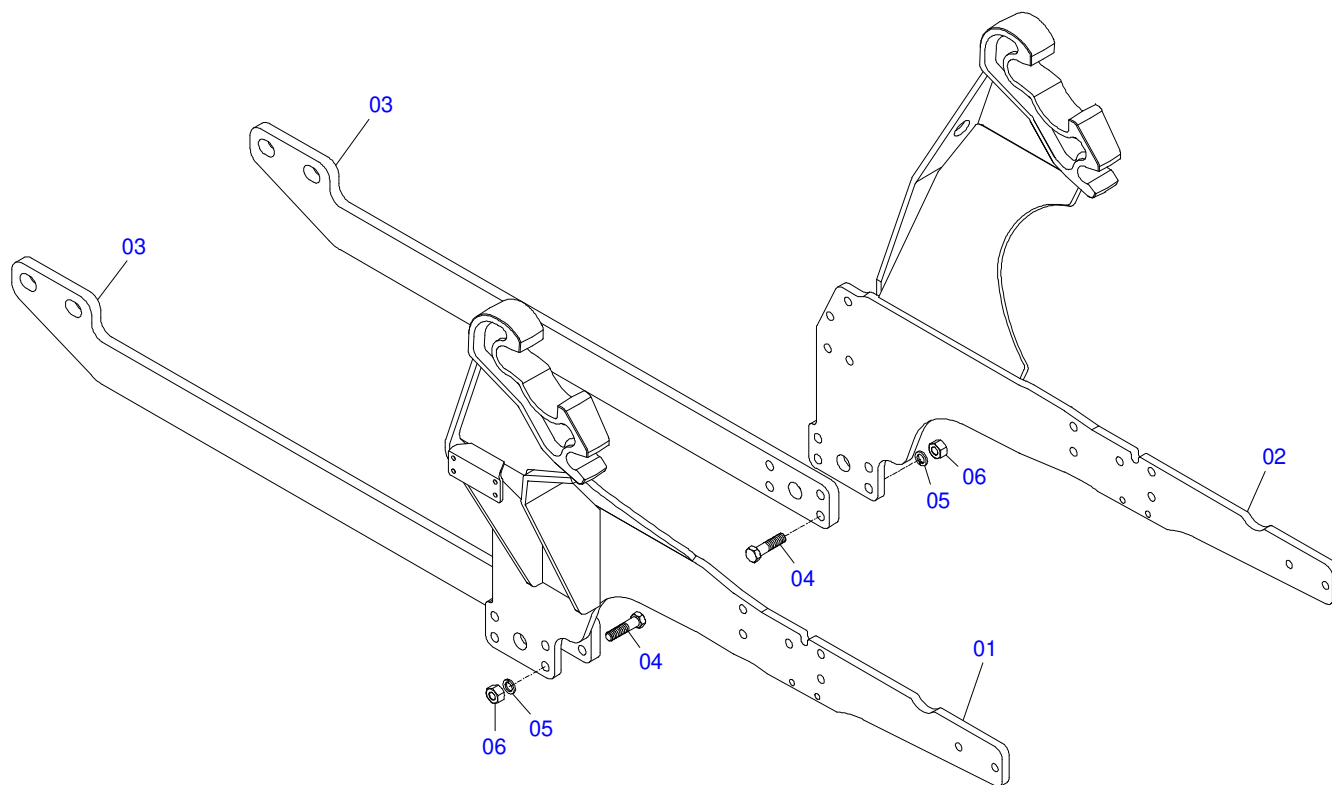


INDEX

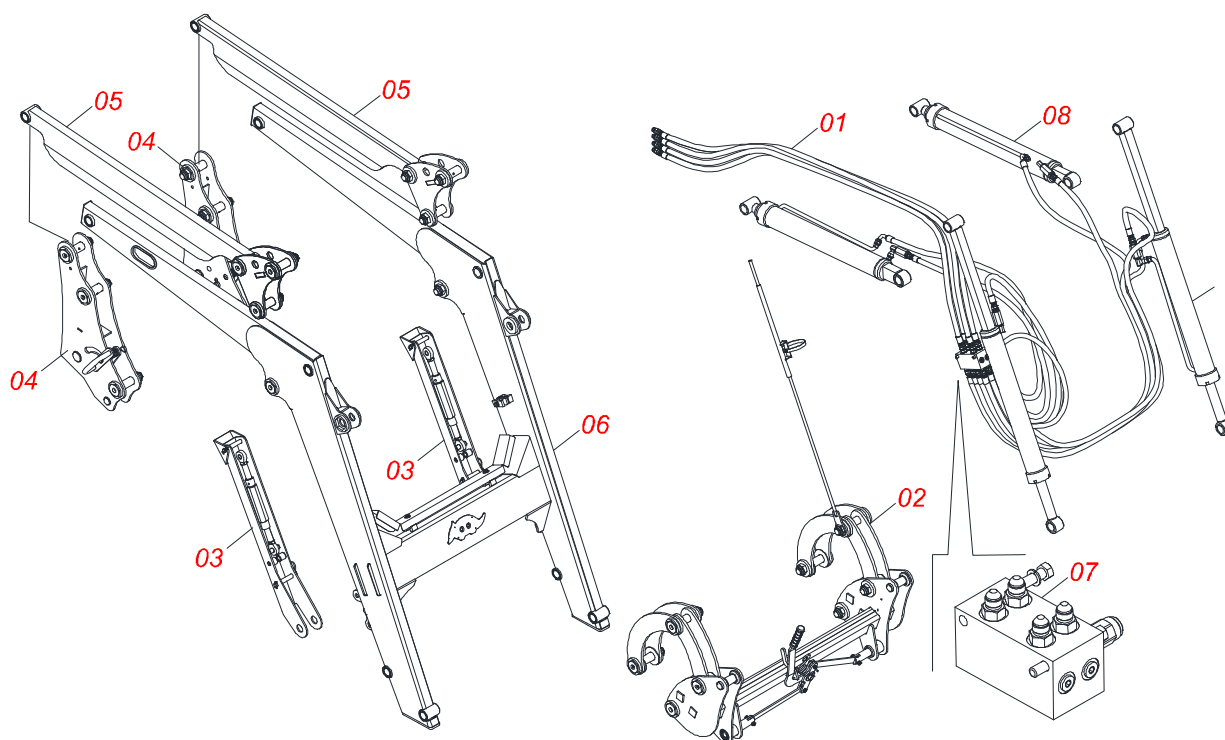
0106111625	PCA-T PLUS 1500 VTR A750/850 BTCD S/AR SL	1
0521046794	CHASSI WITH REAR BAR ASSEMBLY	2
0521045360	FULL MOBILE SUPPORT	3
0511056982	HOSE SET MOBILE SUPPORT	4
0909093615	ARTICULATOR SET	5
0909092475	RESTING WITH NUT MOUNT HOLDER	6
0909092675	TOWER - MOBILE SUPPORT	7
0909093612	ARTICULATOR SUPPORT ASSEMBLY	8
0909093600	MOBILE SUPPORT PCA-T 1500 VTR COMPLETE	9
0909093601	BLOCK COMMAND HFB0150331	10
0909093602	HYDRAULIC CYLINDER ASSEMBLY - PCA PLUS 1500 VTR	11
0521022805	BOX WITH COMPONENTS	12
0521045393	SET SUPPORT JOY STICK	13
0501044434	1" NC X 700 ROD W/NUTS	14
0521045489	BLOCK COMMAND	15
0511056981	HOSE KIT	16



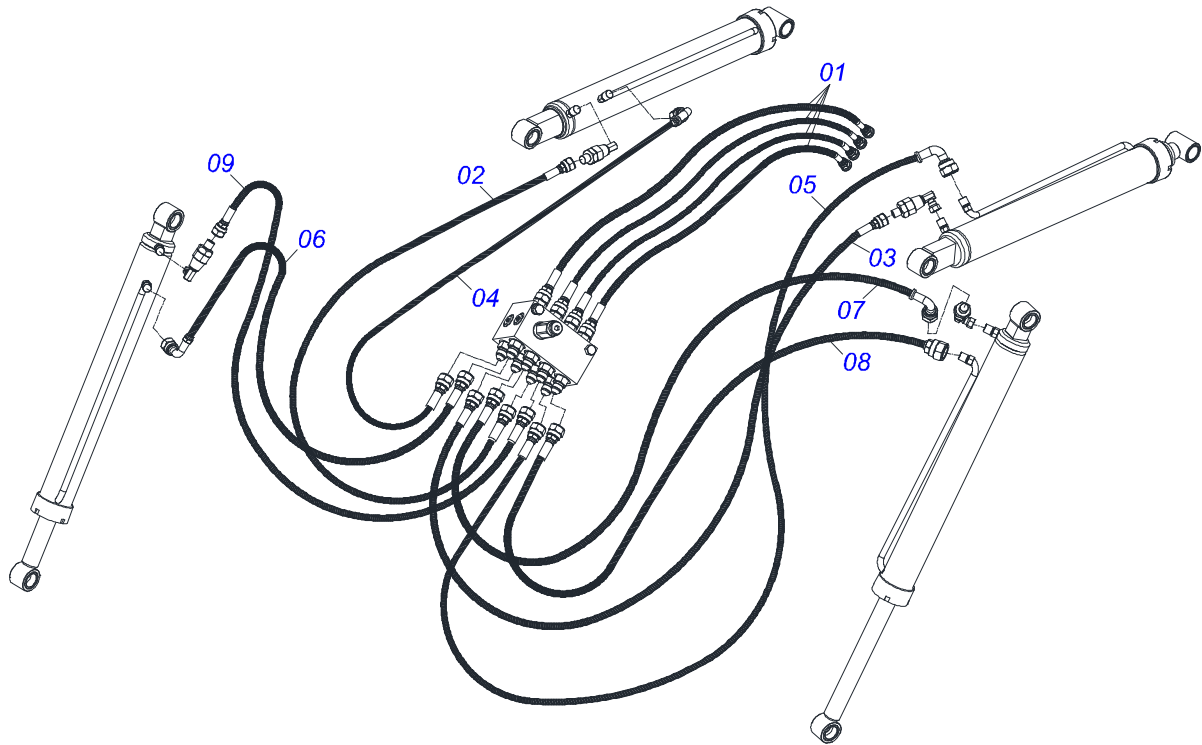
Item	Code	Description	See page	QT
01	0521046794	CHASSI WITH REAR BAR ASSEMBLY	2	01
02	0521045360	FULL MOBILE SUPPORT	3	01
03	0521022805	BOX WITH COMPONENTS	12	01



Item	Code	Description	See page	QT
01	0521067348	FRAME RIGHT		01
02	0521067349	FRAME LEFT		01
03	0571019093	REAR COUPLING BAR		02
04	0501010500	3/4"X3"BOLT		08
07	0503010023	3/4" SPRING WASHER		08
08	0503010014	3/4" NUT		08

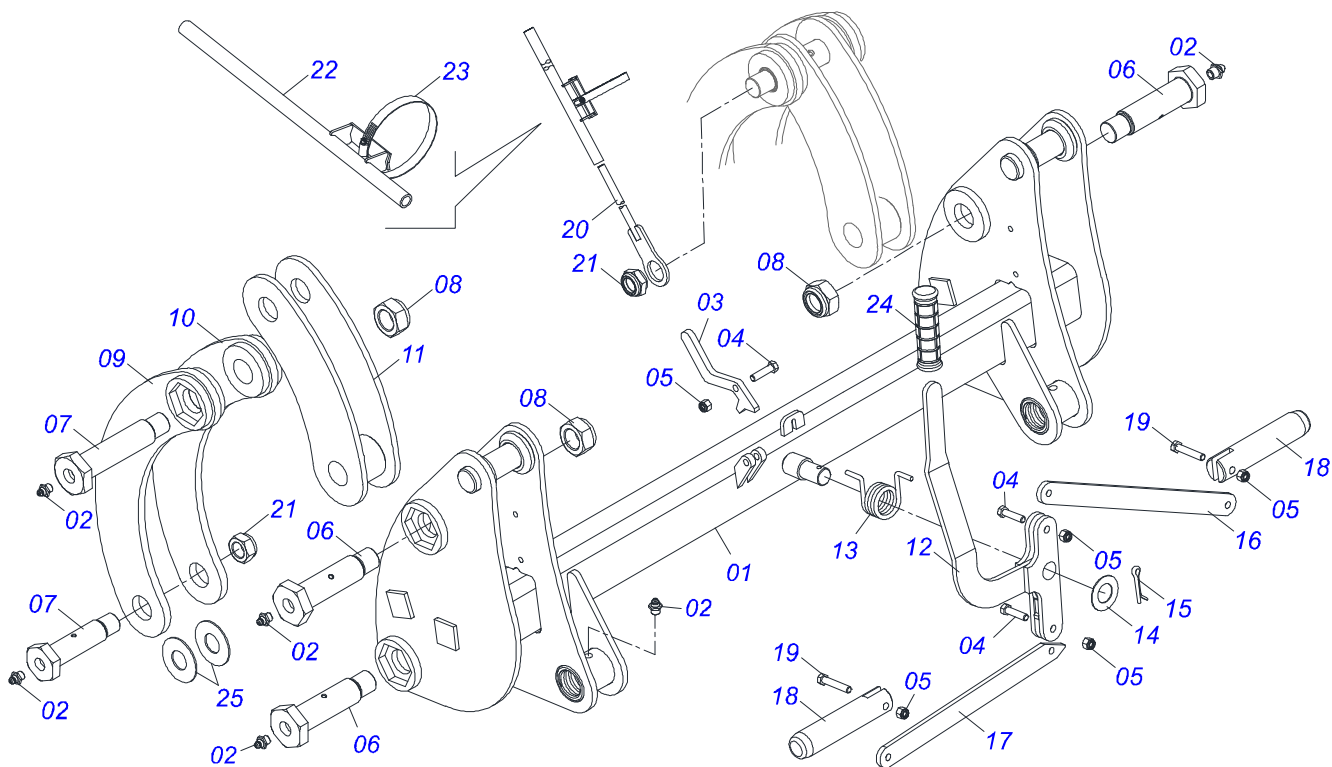


Item	Code	Description	See page	QT
01	0511056982	HOSE SET MOBILE SUPPORT	4	01
02	0909093615	ARTICULATOR SET	5	01
03	0909092475	RESTING WITH NUT MOUNT HOLDER	6	02
04	0909092675	TOWER - MOBILE SUPPORT	7	02
05	0909093612	ARTICULATOR SUPPORT ASSEMBLY	8	02
06	0909093600	MOBILE SUPPORT PCA-T 1500 VTR COMPLETE	9	01
07	0909093601	BLOCK COMMAND HFB0150331	10	01
08	0909093602	HYDRAULIC CYLINDER ASSEMBLY - PCA PLUS 1500 VTR	11	01

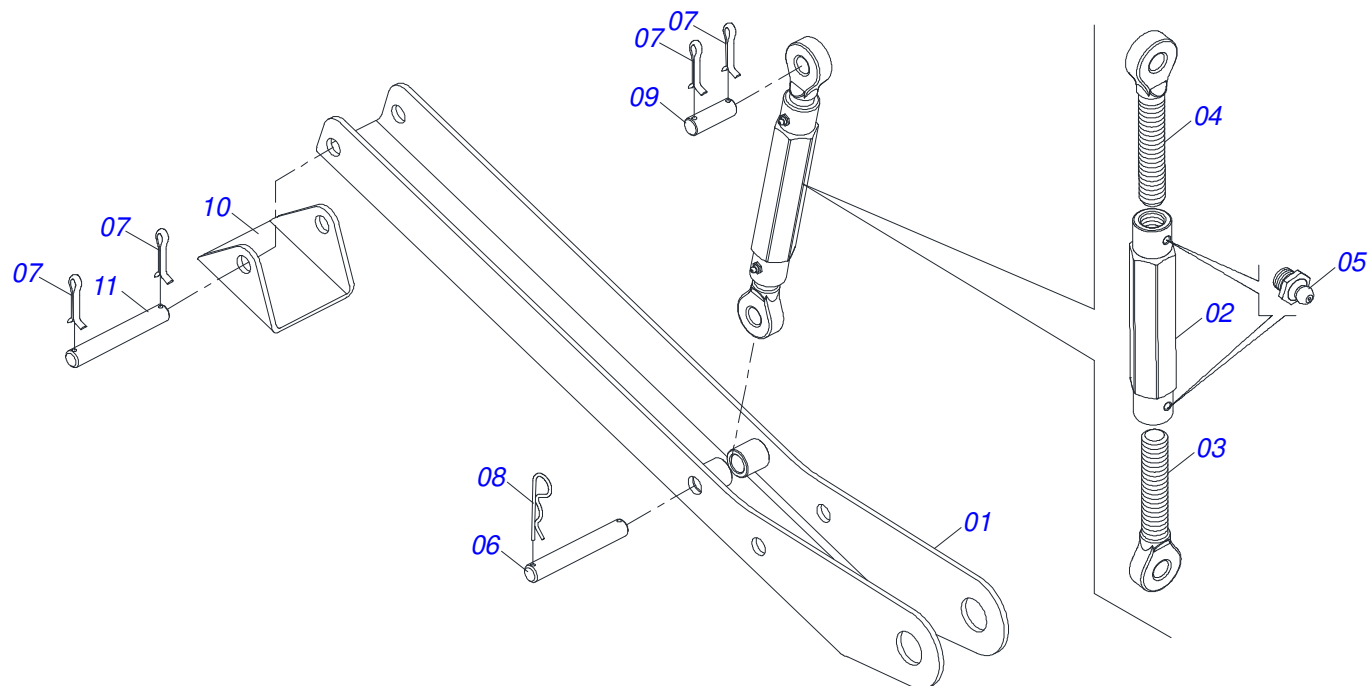


Item	Code	Description	See page	QT
01	0501080452	3/8" X 98" TR-TR HOSE		04
02	0501080439	3/8" X 43" TR-TR HOSE ASSY		01
03	0501080483	3/8" X 86,6" TR-TR HOSE		01
04	0501080348	3/8 X 1200 TR-TC HOSE		01
05	0501080412	3/8" X 90.55" TR-TC HOSE		01
06	0501080375	3/8 X 600 TR-TC HOSE		01
07	0501080419	3/8 X 2100 TR-TC HOSE		01
08	0501080320	3/8" X 82,6" TR-TR HOSE		01
09	0501080027	3/8" X 39,3" TR-TR HOSE ASSY		01

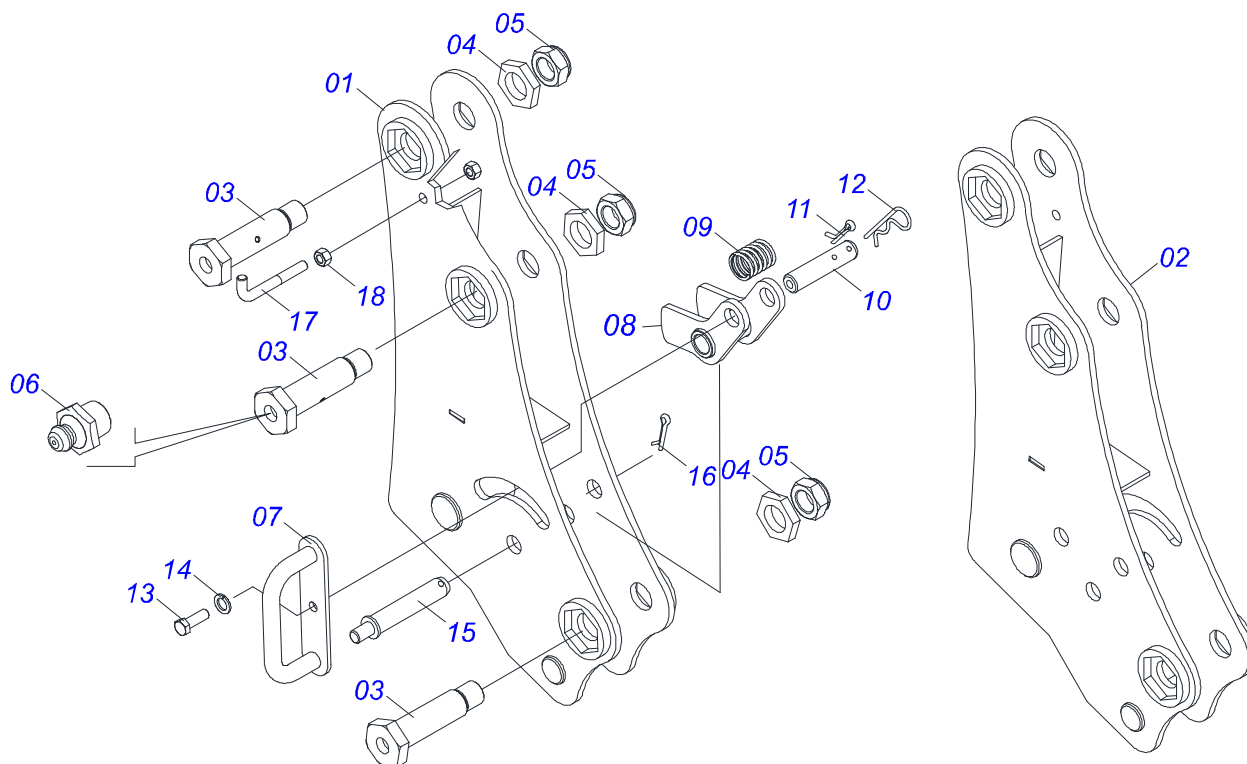
ARTICULATOR SET



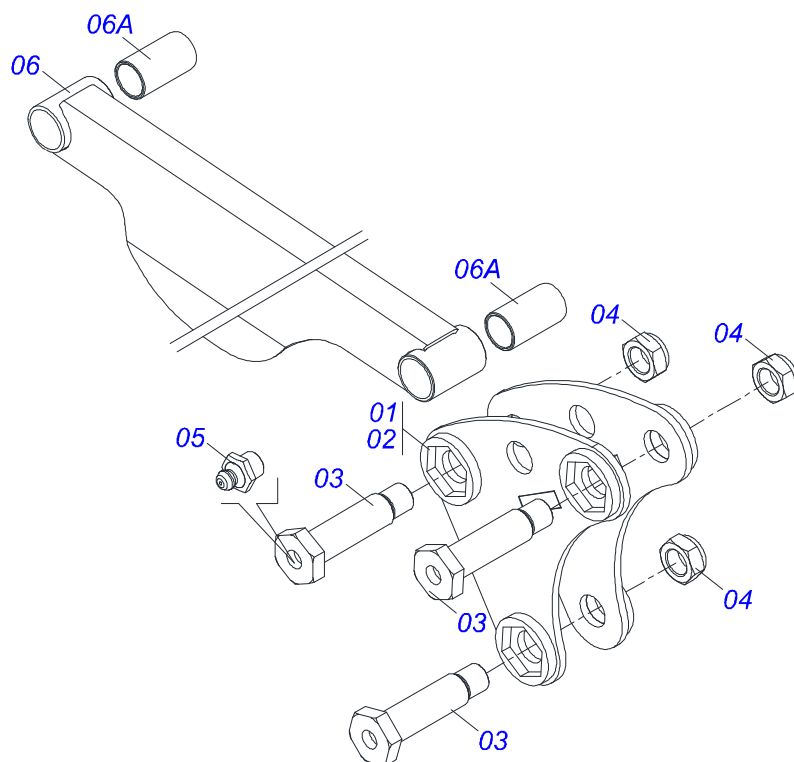
Item	Code	Description	See page	QT
01	0521065697	ARTICULATOR	01	
02	0503010002	1800 GREASE FITTING	10	
03	0571018934	PENDULUM LOCKS	01	
04	0503010849	3/8" X 1-1/2" BOLT	03	
05	0503013357	3/8" SELF-ADJUSTING NUT	05	
06	0571018264	1.1/4" UNF X 149 ZN BOLT	04	
07	0571018245	1.1/4" UNF X 139 BOLT	04	
08	0503010044	1-1/4" SELF LOCKING NUT	07	
09	0521065744	EXTERNAL ARM OF THE ARTICULATOR	02	
10	0521065750	INNER ARM OF ARTICULATOR	02	
11	0521065743	ARTICULATION	02	
12	0521065888	LEVER	01	
13	0503034192	TORSION SPRING	01	
14	0561811883	28,5 X 51,5 X 1,50 SA FLAT WASHER	01	
15	0503010523	1/4" X 2" COTTERPIN	01	
16	0571018935	SPRING SUPPORT ARM	01	
17	0571018125	RIGHT ARM OF THE UNLOCK	01	
18	0571018129	PIN LOCK ACCESSORY	02	
19	0503011236	3/8" X 2" BOLT	02	
20	0521066413	LEVEL ROD	01	
21	0571018205	1.1/4"XUNF NUT WITH RECESS	01	
22	0521066412	TIE ROD GUIDE	01	
23	0503011372	102 TO 121 CLAMP	01	
24	0503037382	Ø25 X 120 PVC HANDLE	01	
25	0551014871	FLAT WASHER	04	



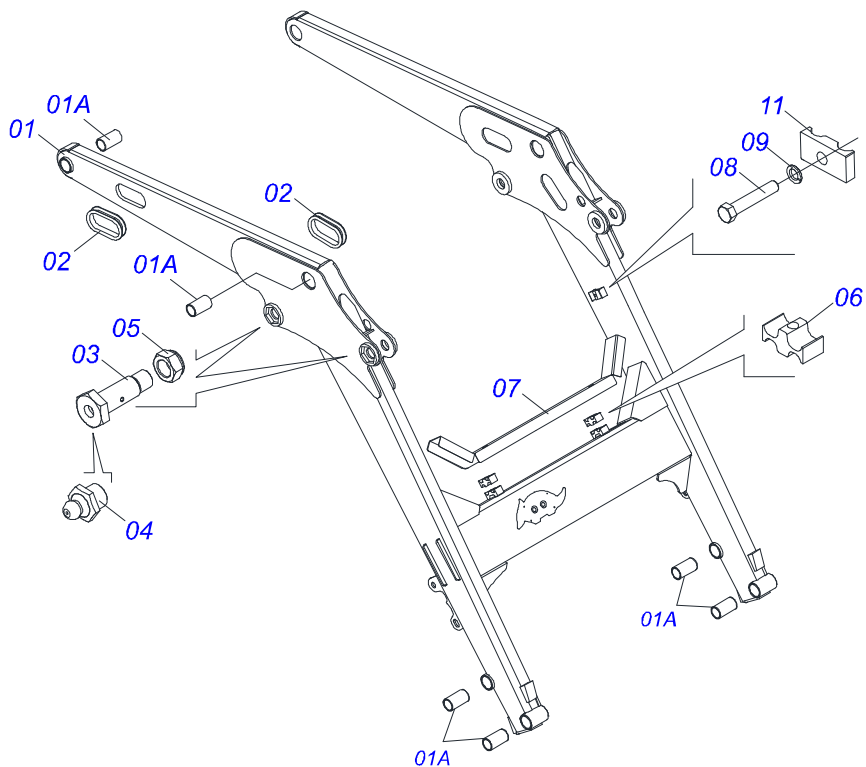
Item	Code	Description	See page	QT
01	0521065756	PLOUGH SUPPORT BODY		02
02	0502012530	REGULATOR NUT BODY R1		02
03	0502012562	LEFT SPINDLE R1 X 160		02
04	0502012529	RIGHT SPINDLE R1 X 160		02
05	0503010002	1800 GREASE FITTING		04
06	0511013598	3/4" X 4.7" COUPLING SHAFT		02
07	0503010071	3/16" X 1" COTTERPIN		06
08	0503030012	HITCH PIN CLIP		02
09	0561015578	3/4 X 56 PCA VTR A750 COUPLING SHAFT		02
10	0571018252	REST BASE		02
11	0521012777	COUPLING SHAFT		02



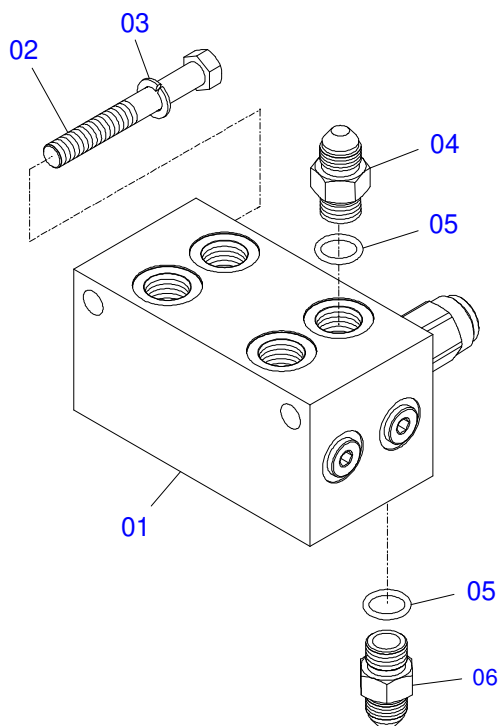
Item	Code	Description	See page	QT
01	0521065884	RIGHT TOWER		01
02	0521065883	LEFT TOWER		01
03	0571018264	1.1/4" UNF X 149 ZN BOLT		06
04	0581010243	WASHER HEX		06
05	0503010044	1-1/4" SELF LOCKING NUT		06
06	0503010002	1800 GREASE FITTING		06
07	0521065755	ARTICULATION CABLE		02
08	0521065885	LATCH MOBILE TOWER		02
09	0503034112	ØI 30 X 45 X Ø4,00 COMPRESSION SPRING PCA-T PLUS 1500		02
10	0571018244	LATCH PIN PCA-T 1500		02
11	0503010523	1/4" X 2" COTTERPIN		02
12	0503030012	HITCH PIN CLIP		02
13	0503010920	1/2" X 1.1/2" BOLT		02
14	0503010019	1/2" SPRING WASHER		02
15	0571018243	LOCK FIXATION SHAFT PCA-T 1500		02
16	0503010523	1/4" X 2" COTTERPIN		02
17	0581010285	CONTROL LOCKING HOOK		01
18	0503810060	NUT 1/2 NC S SA		02
19	0503010019	1/2" SPRING WASHER		01



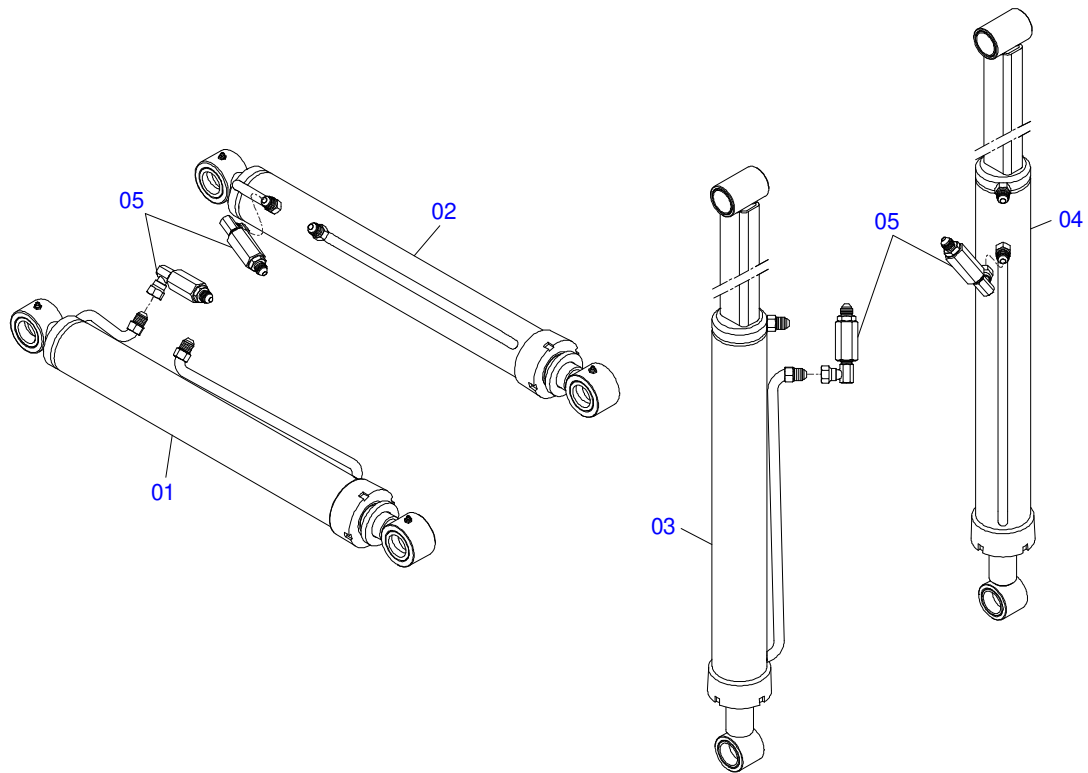
Item	Code	Description	See page	QT
01	0521065745	RIGHT JOINT		01
02	0521065751	LEFT JOINT		01
03	0571018264	1.1/4" UNF X 149 ZN BOLT		06
04	0503010044	1-1/4" SELF LOCKING NUT		06
05	0503010002	1800 GREASE FITTING		06
06	0521065746	PANTOGRAPHIC ARM PCA-T 1500		02
06A	0571018080	BUSHING Ø37,70 X Ø45,15 X 80 PCA-T 1500		04



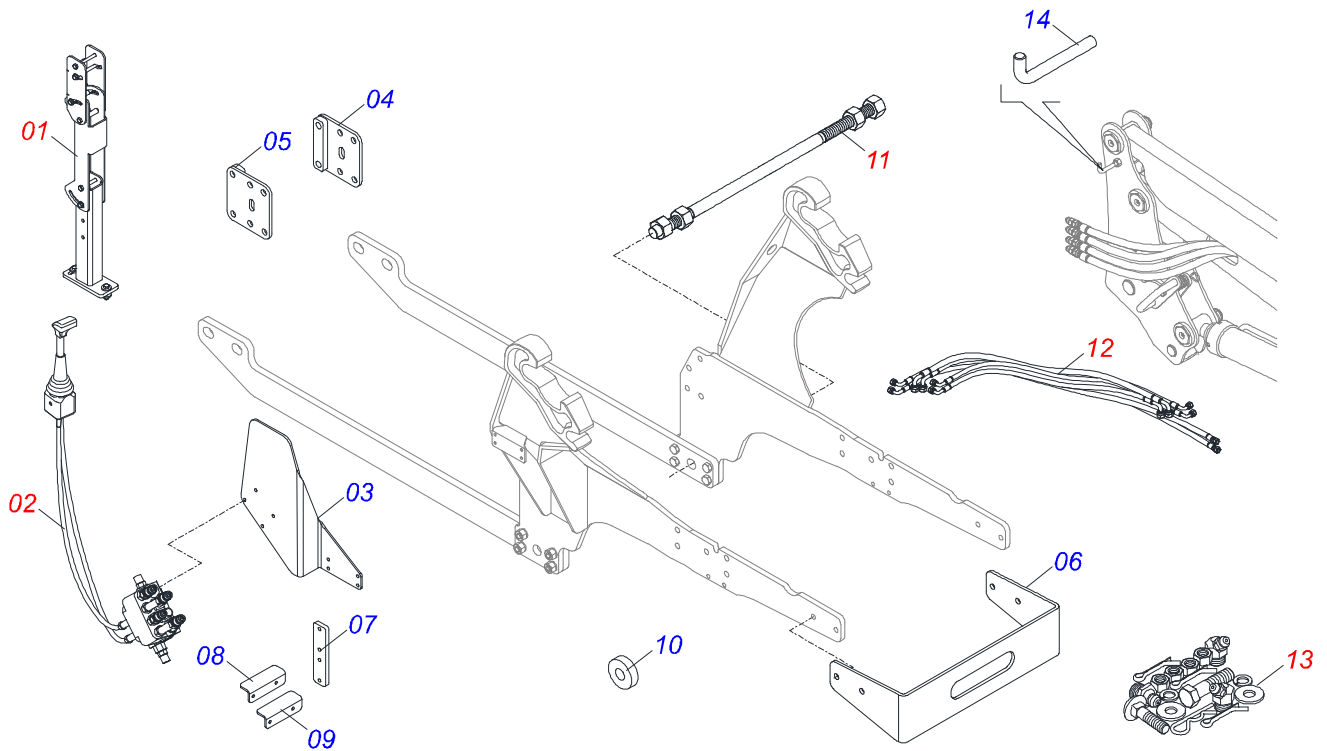
Item	Code	Description	See page	QT
01	0521065742	MOBILE SUPPORT		01
01A	0571018080	BUSHING Ø37,70 X Ø45,15 X 80 PCA-T 1500		08
02	0503034364	HOSE PROTECTOR		02
03	0581013575	1.1/4 UNF X 85 BOLT		04
04	0503010002	1800 GREASE FITTING		04
05	0503010044	1-1/4" SELF LOCKING NUT		04
06	1902012702	UPPER CLAMP BODY		02
07	0521065758	PIPELINE PROTECTION		01
08	0503012555	SCREW 7/16 UNC X 2 CS RT G.7 ZN		02
09	0503010180	7/16" SPRING WASHER		02
10	1902010477	UPPER CLAMP BODY		03



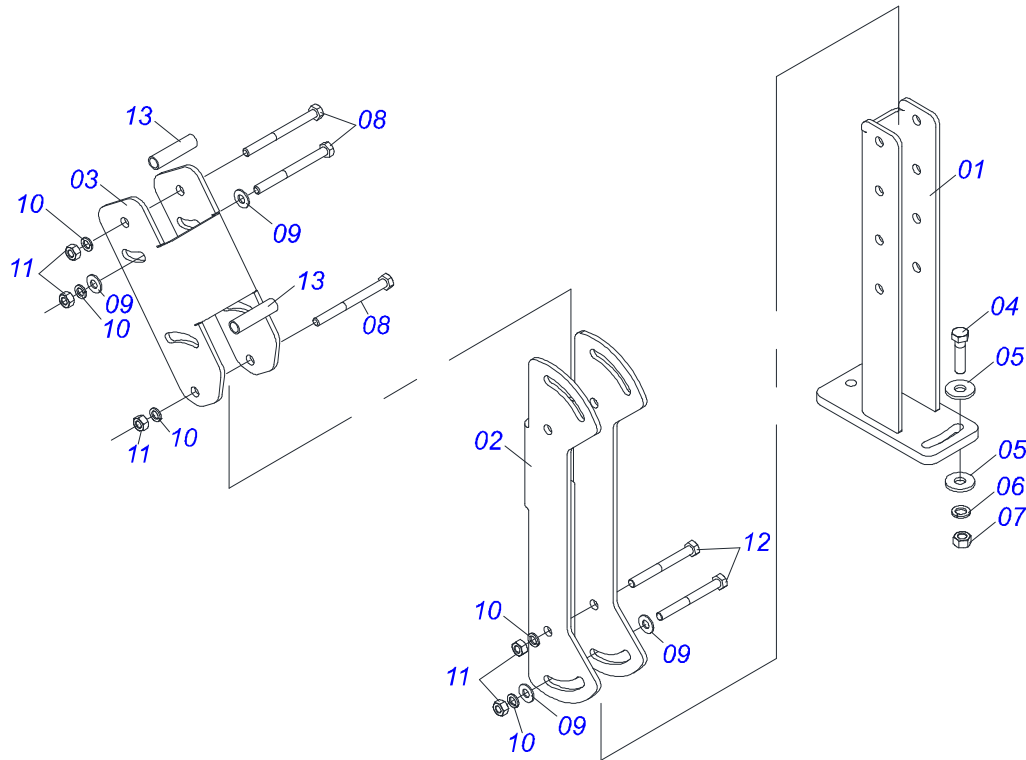
Item	Code	Description	See page	QT
01	0503062416	BLOCK COMMAND		01
02	0503010851	7/16" X 3.1/2" BOLT		02
03	0503010180	7/16" SPRING WASHER		02
04	0501010617	3/4" NIPPLE		04
05	0503010190	2-114 N 3006-9B O'RING		12
06	0501010617	3/4" NIPPLE		08



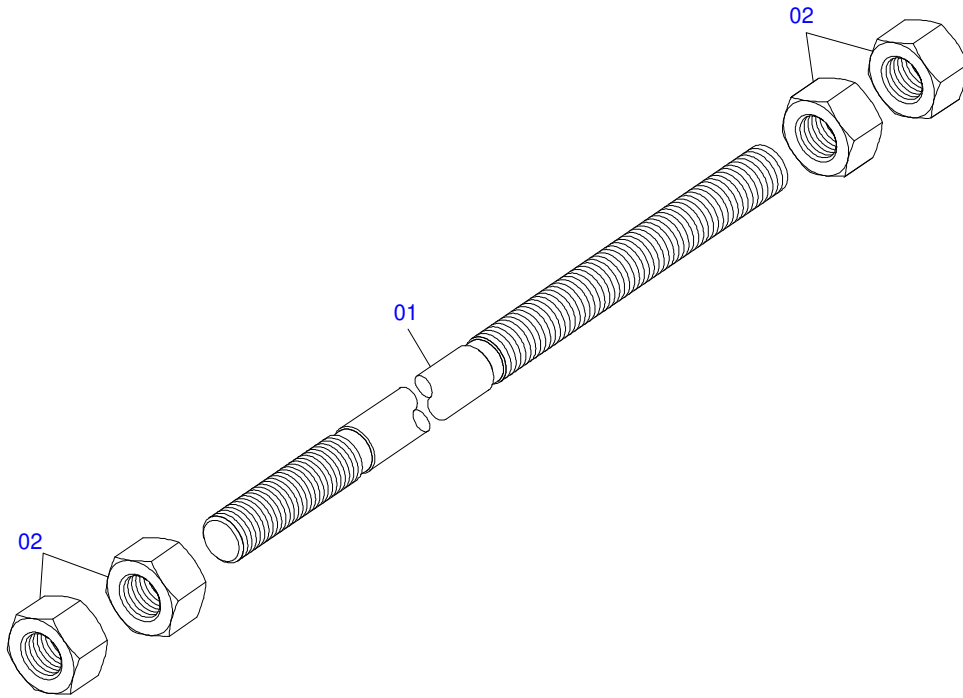
Item	Code	Description	See page	QT
01	0521045321	HYDRAULIC CYLINDER LEFT		01
02	0521045322	HYDRAULIC CYLINDER RIGHT		01
03	0511058221	HYDRAULIC CYLINDER LEFT		01
04	0511058222	HYDRAULIC CYLINDER RIGHT		01
05	0511057772	SECURITY VALVE ASSY		04



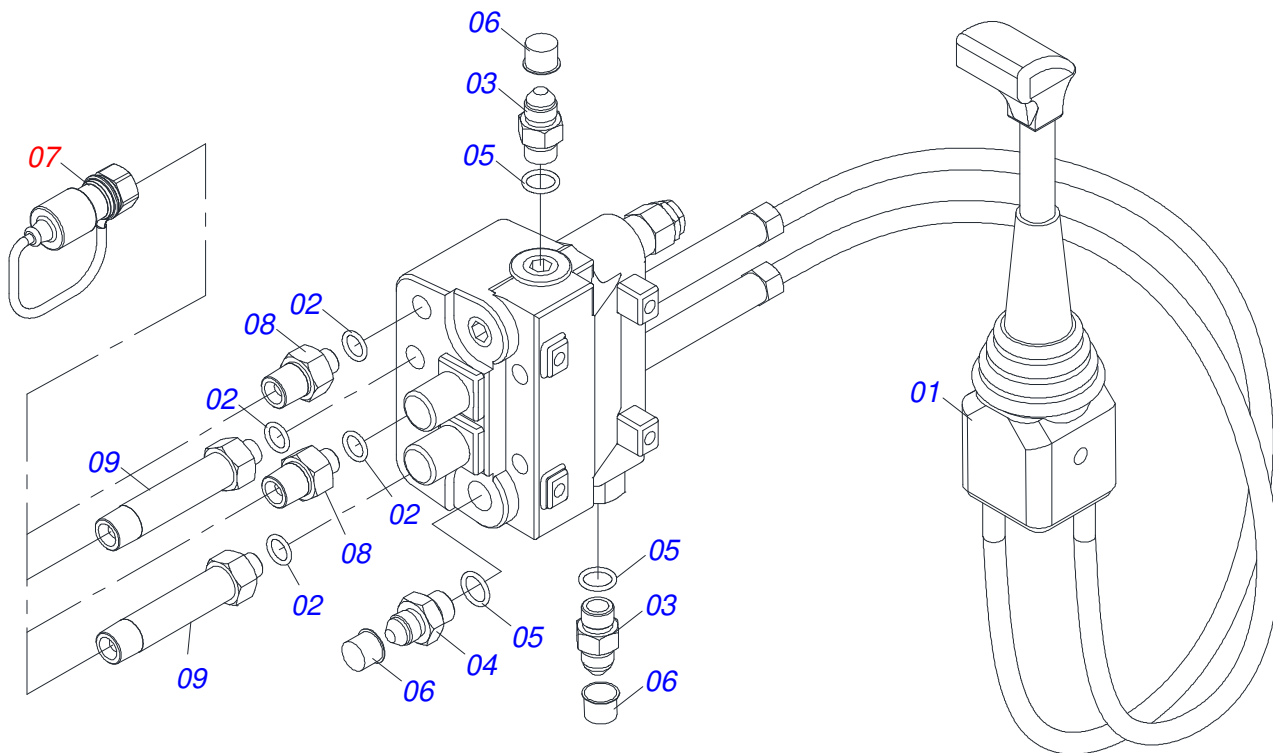
Item	Code	Description	See page	QT
01	0521045393	SET SUPPORT JOY STICK	13	01
02	0521045489	BLOCK COMMAND	15	01
03	0571019089	SUPPORT BRACKET OF THE CONTROL		01
04	0521067359	LEFT FRAME LOCK		01
05	0521067351	RIGHT FRAME LOCK		01
06	0571017231	FRONT PROTECTOR		01
07	0571019090	BATTERY HOLDER PLATE		02
08	0571019245	TOOL BOX MINIMUM FIXER		01
09	0571019244	MAJOR TOOL BOX FIXER		01
10	0551012178			04
11	0501044434	1" NC X 700 ROD W/NUTS	14	01
12	0511056981	HOSE KIT	16	01
13	0511032407	PACKAGED PIECES		01
14	0581010285	CONTROL LOCKING HOOK		01



Item	Code	Description	See page	QT
01	0521065789	LOWER JOYSTICK SUPPORT		01
02	0571018376	CENTRAL BODY SUPPLEMENT OF JOYSTICK		01
03	0571018375	SUPERIOR BODY SUPPLEMENT OF JOYSTICK		01
04	0503010849	3/8" X 1-1/2" BOLT		02
05	0501010984	FLAT WASHER		02
06	0503010025	3/8" SPRING WASHER		02
07	0503010026	3/8" NUT		02
08	0503010848	5/16" X 3.1/2" BOLT		04
09	0501010694	FLAT WASHER		06
10	0503010179	LOCK WASHER		06
11	0503010337	5/16" NUT		06
12	0503011053	5/16" X 3" C S 6.5 ZN BOLT		02
13	0541015551	0.39" X 0.512" X 1.9" SLEEVE		02

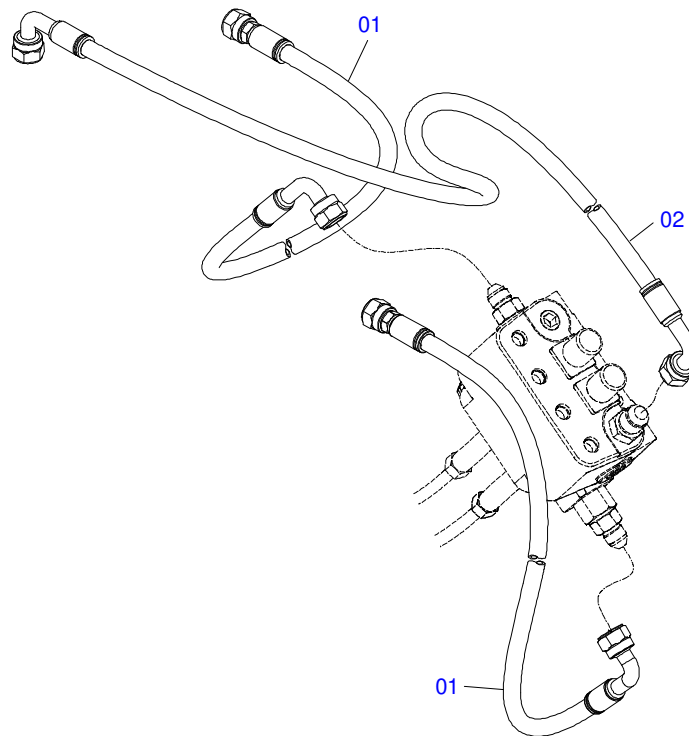


Item	Code	Description	See page	QT
01	0501014753	1" NC X 700 ROD		01
02	0501010087	1.1/4" NUT		04



Item	Code	Description	See page	QT
01	0503062412	COMPLETE JOYSTICK CONTROL		01
02	0503011108	2-112 O'RING		04
03	0501010617	3/4" NIPPLE		02
04	0501011460	7/8 NF REDUCTION NIPPLE		01
05	0503010190	2-114 N 3006-9B O'RING		03
06	0503030385	CYLINDER PLUG N-002		03
07	0501053834	MALE QUICK COUPLER		04
08	0571018717	ADAPTER		02
09	0571018716	ADAPTER		02

HOSE KIT



Item	Code	Description	See page	QT
01	0501080302	TR-TC HOSE ASSY		02
02	0501080283	HOSE 1/2 X 2600 TC-TC		01



ANNOTATION

A series of horizontal lines for writing, spanning the width of the page below the header.





MARCHESAN

Technical Publications | Elaboration and Revision

JOÃO VIRGINIO ROCHA

www.marchesan.com.br

