

PD - FRONT LOADER

PD LS 90 BT CD JY

Code: 0501092176

Series: S-0715

Revision: 00

Date Revision: MARÇO/2018

PARTS CATALOGUE



MARCHESAN



PRODUCTS

Code	Description
0106150002	PD LS 90 BT CD JY S-0715

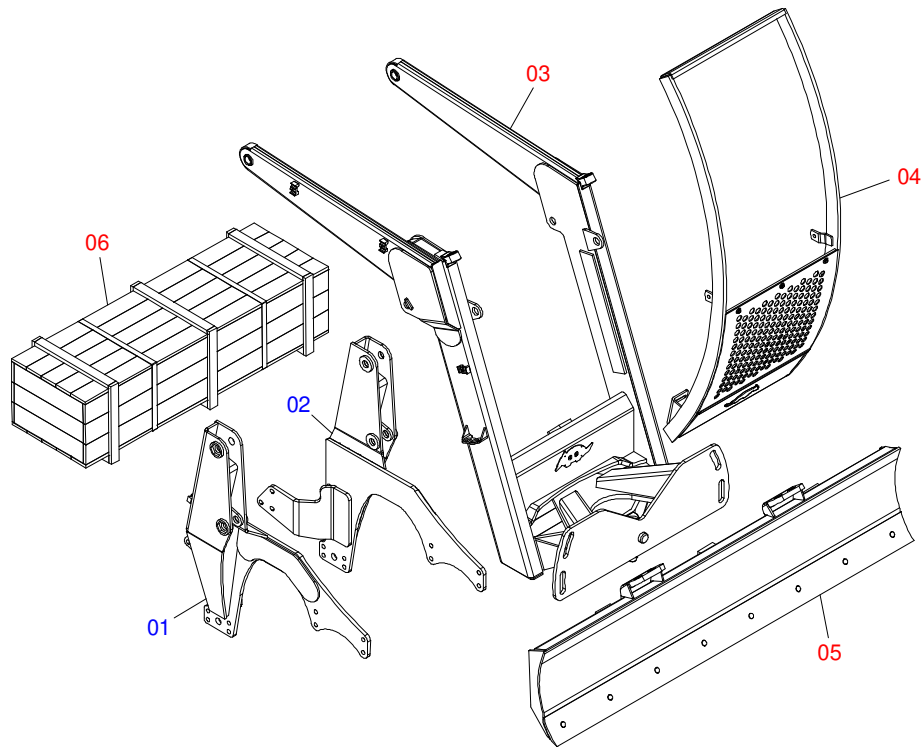
ATTENTION: IMPORTANT

Marchesan S.A. reserves the right to improve and/or modify the technical features of its products, without obligation to do the same with those products already sold and without prior knowledge of the dealer or the consumer. The photos are only illustrative.

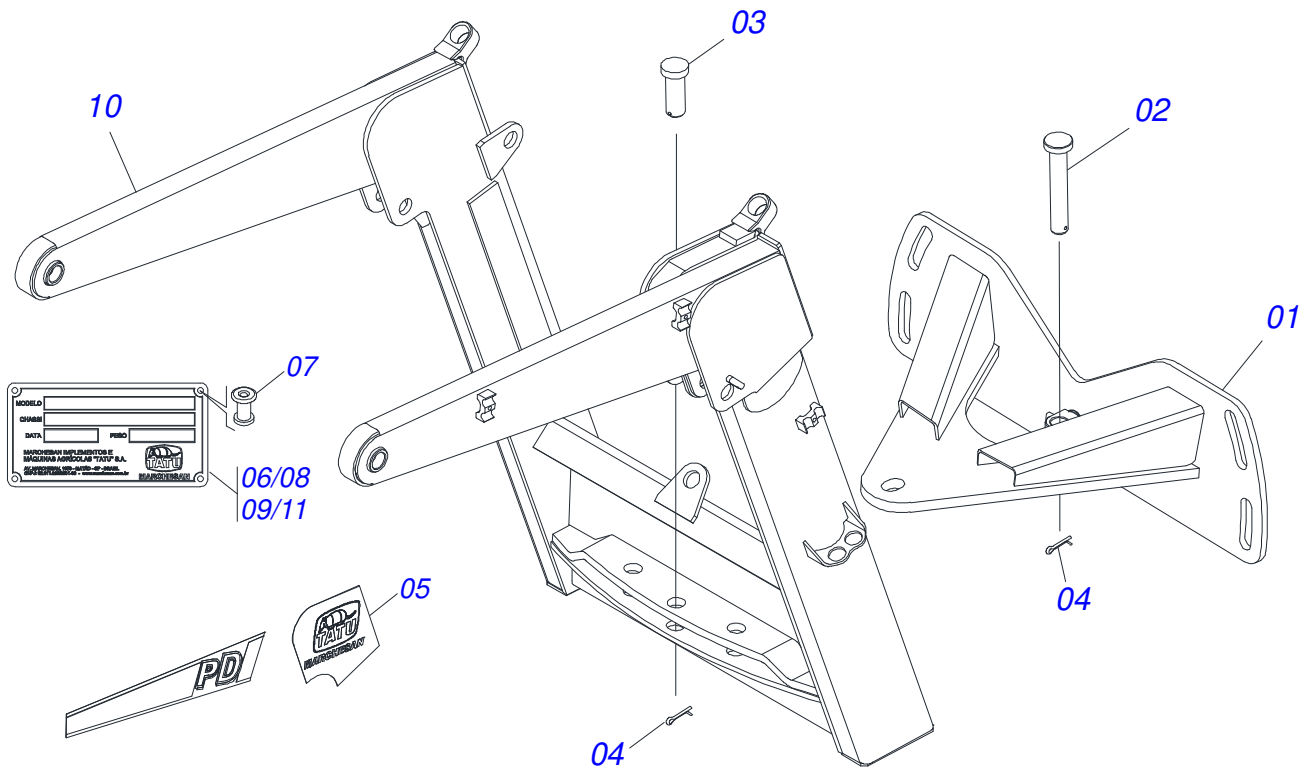


INDEX

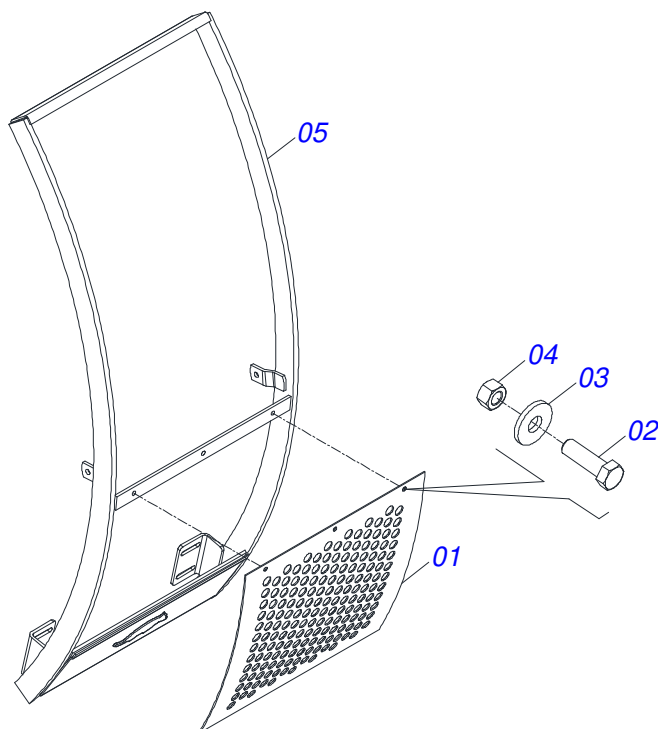
0106150002	PD LS 90 BT CD JY	1
0511049953	MOBILE FULL SUPPORT	2
0511049956	MOBILE SUPPORT GUIDE ASSY	3
0501047708	2400 BLADE SUPPORT	4
0521022209	BOX WITH COMPONENTS - PD LS 90 BT CD JY	5
0521046187	COMMAND WITH JOYSTICK - PD LS BT CD S/AR	6
0501042819	1.1/4"NC X 33.46" ROD ASSY	7
0501041427	1.1/4" NC X 1540 ASSY ROD	8
0511058454	HYDRAULIC CYLINDER	9
0511058746	HOSE SET - PD LS 90 BT CD JY	10
0511032071	PACKAGED PARTS - PD LS 90 BT CD JY	11
0511057771	R.7/8UNF - SAFETY VALVE	12
0501053835	FEMALE QUICK COUPLER	13



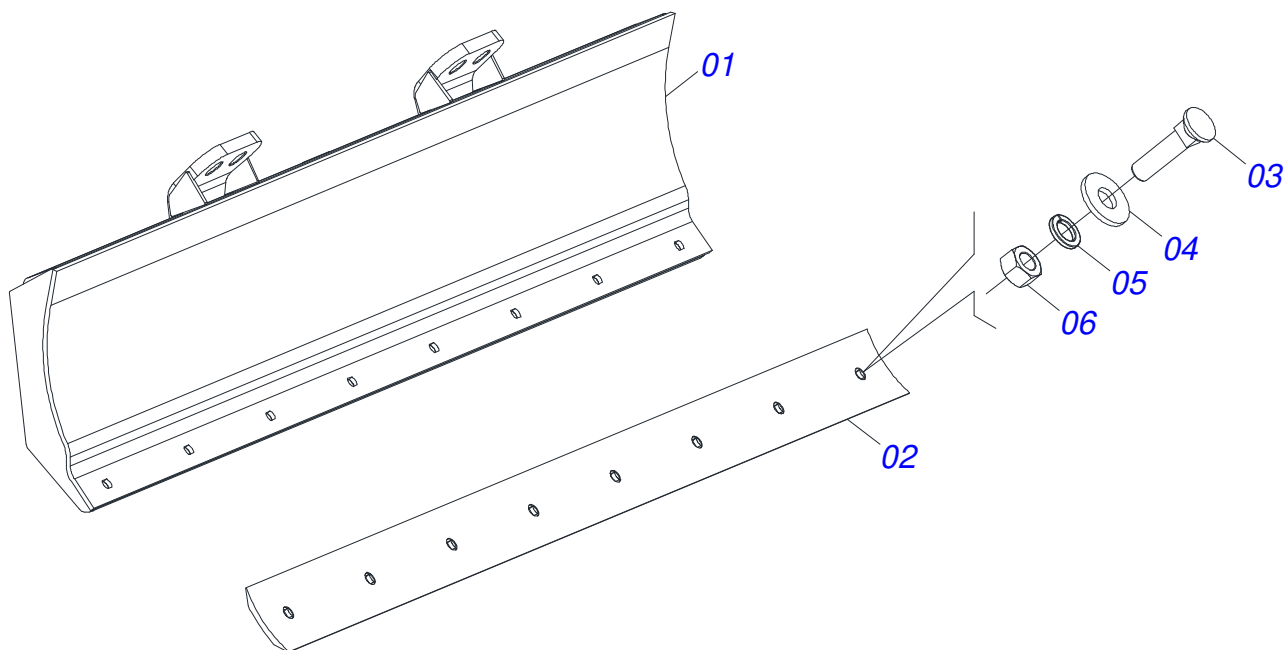
Item	Code	Description	See page	QT
01	0521066351	RIGHT CHASSIS - PD LS PLUS 90		01
02	0521066352	LEFT CHASSIS - PD LS PLUS 90		01
03	0511049953	MOBILE FULL SUPPORT	2	01
04	0511049956	MOBILE SUPPORT GUIDE ASSY	3	01
05	0501047708	2400 BLADE SUPPORT	4	01
06	0521022209	BOX WITH COMPONENTS - PD LS 90 BT CD JY	5	01



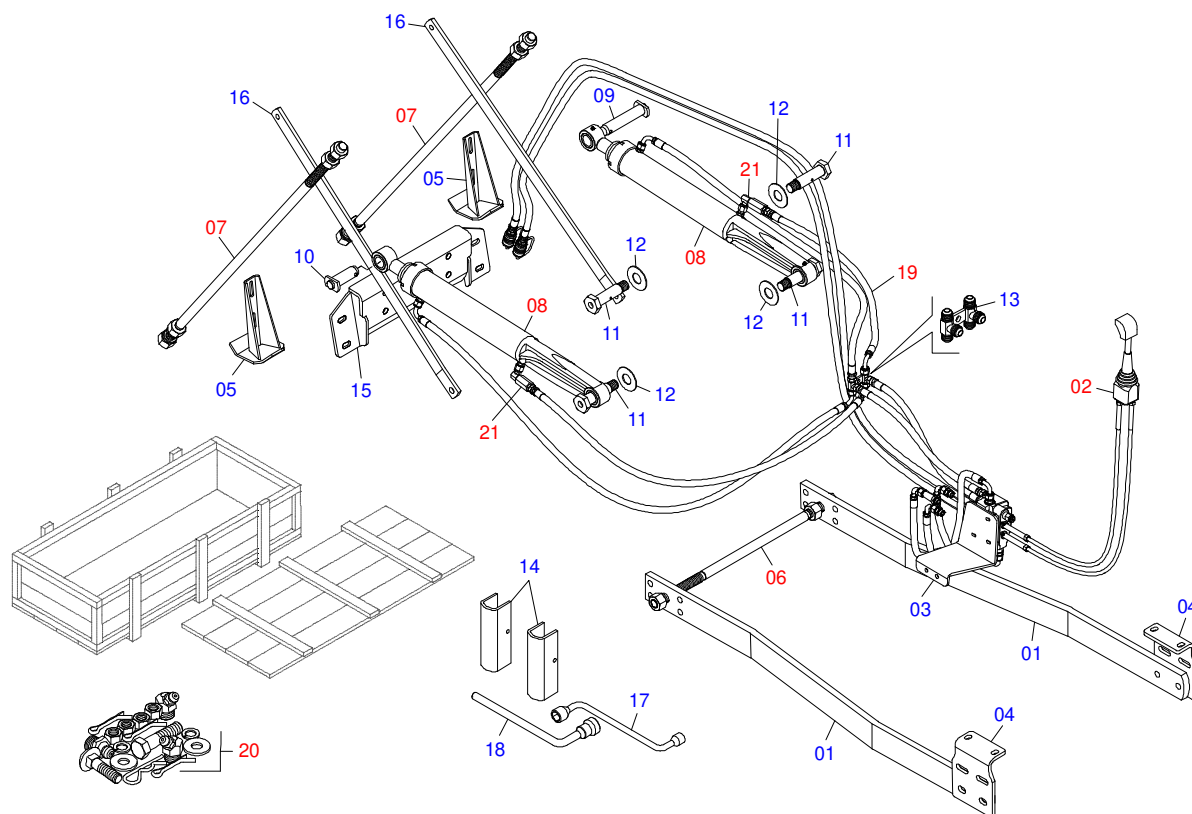
Item	Code	Description	See page	QT
01	0501062637	5/8" REGULATOR SUPPORT		01
02	0521010618	1.4" X 8.6" COUPLING SHAFT		01
03	0521010612	1.4" X 3.5" COUPLING SHAFT		01
04	0503010010	1/4" X 2.1/2" COTTERPIN		02
05	0503062270	SET LABEL ADHESIVE		01
06	0503034003	SERIAL NUMBER TAG 61 X 118		01
07	0503010001	3.2 X 5.5 RIVET		04
08	0503031428	READ MANUAL DECAL		01
09	0503031827	LUBRICATE AND RETIGHTEN DAILY DECAL		01
10	0521062701	MOBILE SUPPORT		01
11	0503034078	LIFTING POINTS DECAL		03



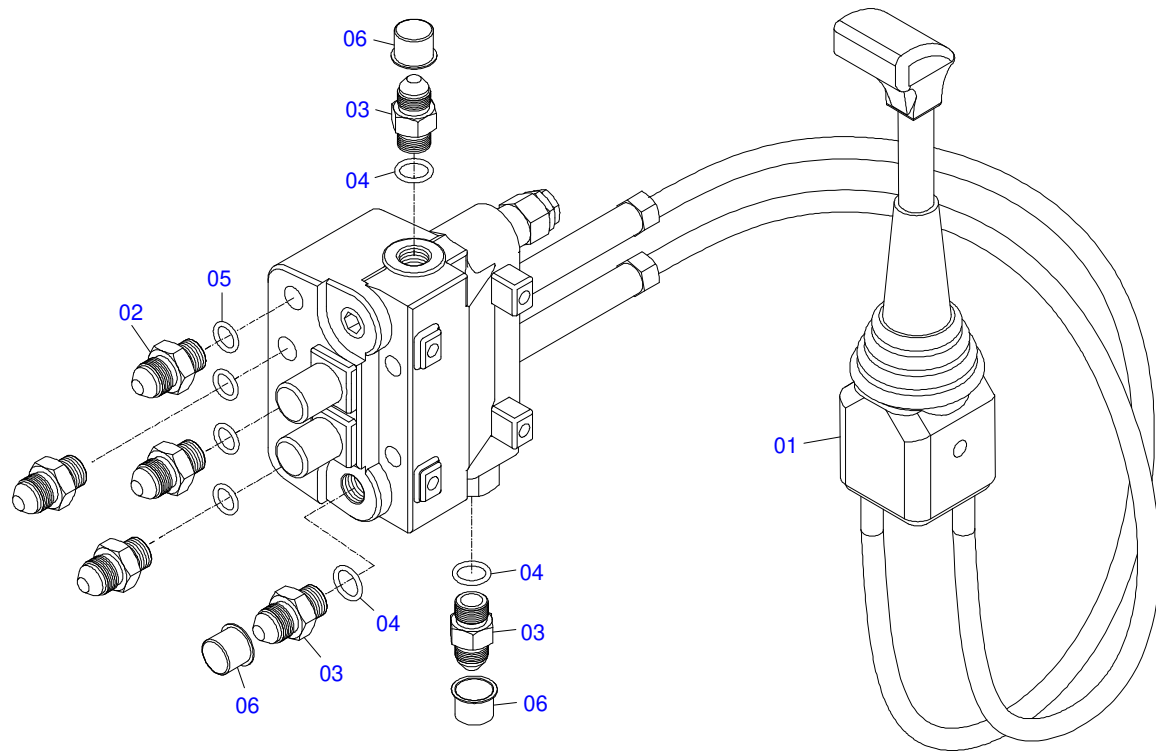
Item	Code	Description	See page	QT
01	0501017431	FRONT PROTECTION		01
02	0503010751	C3/8" X 1.1/4" HEX BOLT G.5		03
03	0501010984	FLAT WASHER		03
04	0503010026	3/8" NUT		03
05	0521062696	GUIDE SUPPORT MOBILE		01



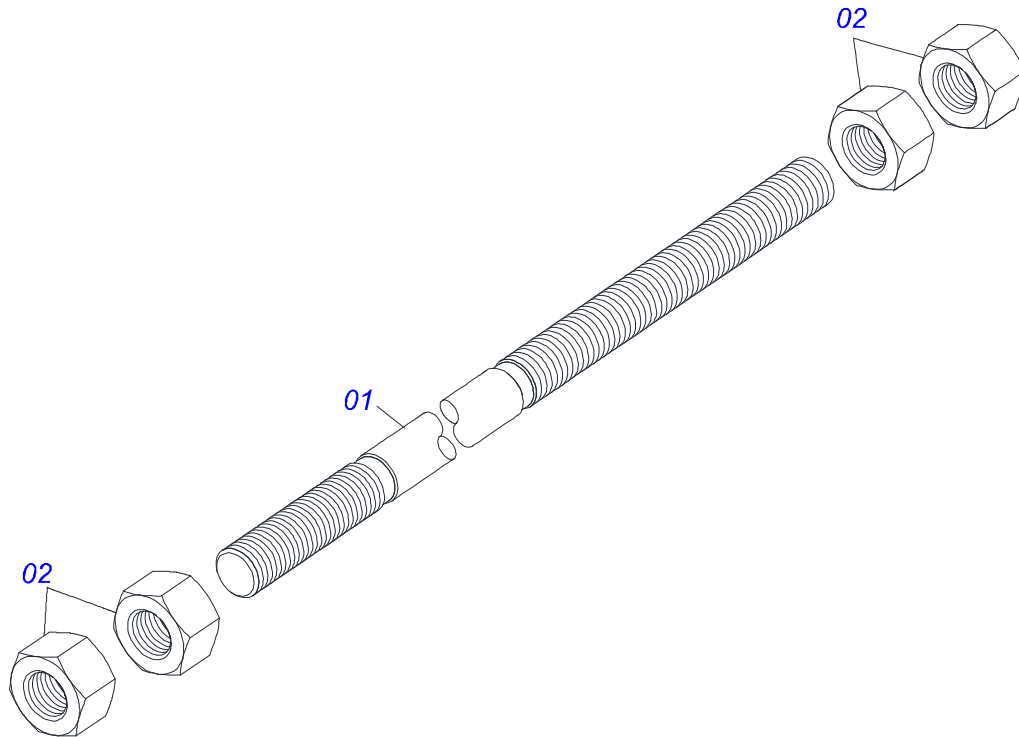
Item	Code	Description	See page	QT
01	0501067999	2390 BLADE SUPPORT		01
02	0622360016	94.5" SCRAPER REVERSIBLE		01
03	0501012240	BOLT		08
04	0501012140	FLAT WASHER		08
05	0503011445	SPRING WASHER		08
06	0503010013	5/8" NUT		08



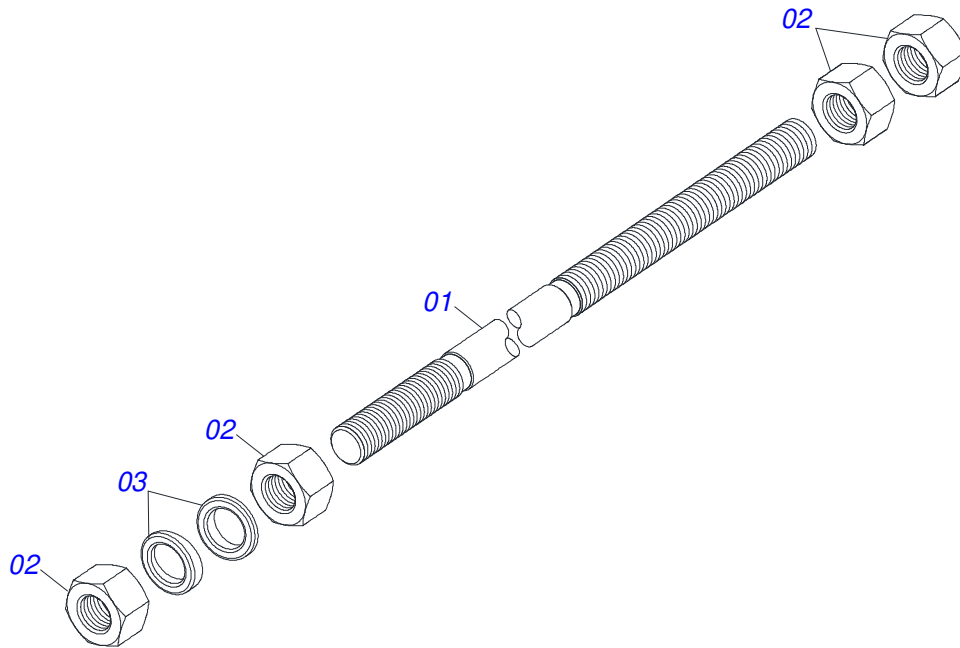
Item	Code	Description	See page	QT
01	0571019990	FRAME BACK MOUNTING BAR		02
02	0521046187	COMMAND WITH JOYSTICK - PD LS BT CD S/AR	6	01
03	0571019991	COMMAND SUPPORT		01
04	0581010007	BACK SHOE		02
05	0501063411	ESTABILIZER BRACKET		02
06	0501042819	1.1/4"NC X 33.46" ROD ASSY	7	01
07	0501041427	1.1/4" NC X 1540 ASSY ROD	8	01
08	0511058454	HYDRAULIC CYLINDER	9	02
09	0521063358	37,20 X 161 JOINT AXIS		01
10	0521063354	COUPLING SHAFT		01
11	0571018264	1.1/4" UNF X 149 ZN BOLT		04
12	0551014871	FLAT WASHER		04
13	0521064869	7/8UNF JIC OIL DISTRIBUTOR		01
14	0551010280	253 TRANSPORT LOCK		02
15	0521066353	HIGH GRADE FASTENER - PD LS PLUS 90		01
16	0581010008	HIGH GRADE RAIL1100 - PD LS PLUS 90		02
17	0501068213	5/8" WRENCH DOUBLE		01
18	0501061617	1" GANG BOLT WRENCH		01
19	0511058746	HOSE SET - PD LS 90 BT CD JY	10	01
20	0511032071	PACKAGED PARTS - PD LS 90 BT CD JY	11	01
21	0511057771	R.7/8UNF - SAFETY VALVE	12	02



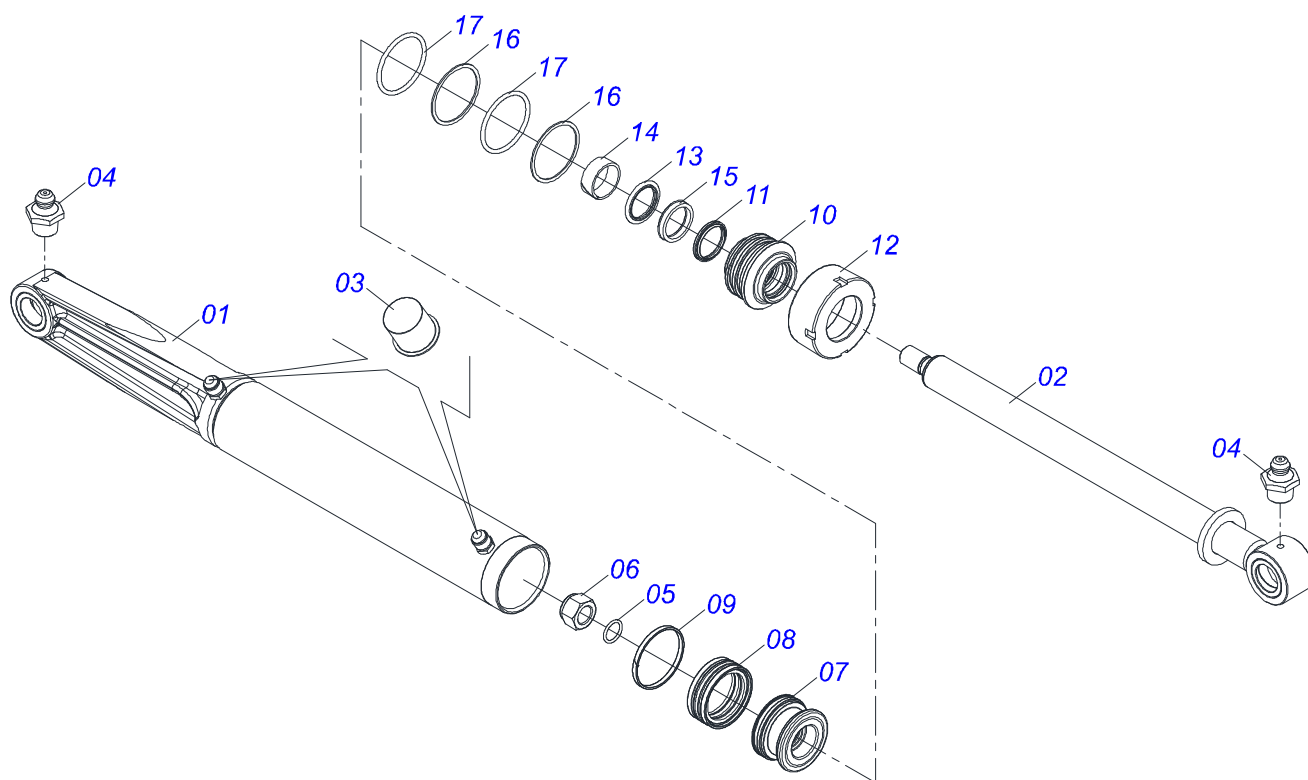
Item	Code	Description	See page	QT
01	0503062412	COMPLETE JOYSTICK CONTROL		01
02	0531013708	7/8 UNF X R 9/16 UNF X 45 NIPPLE		04
03	0501011460	7/8 NF REDUCTION NIPPLE		01
04	0503010190	2-114 N 3006-9B O'RING		03
05	0503011108	2-112 O'RING		04
06	0503030385	CYLINDER PLUG N-002		03



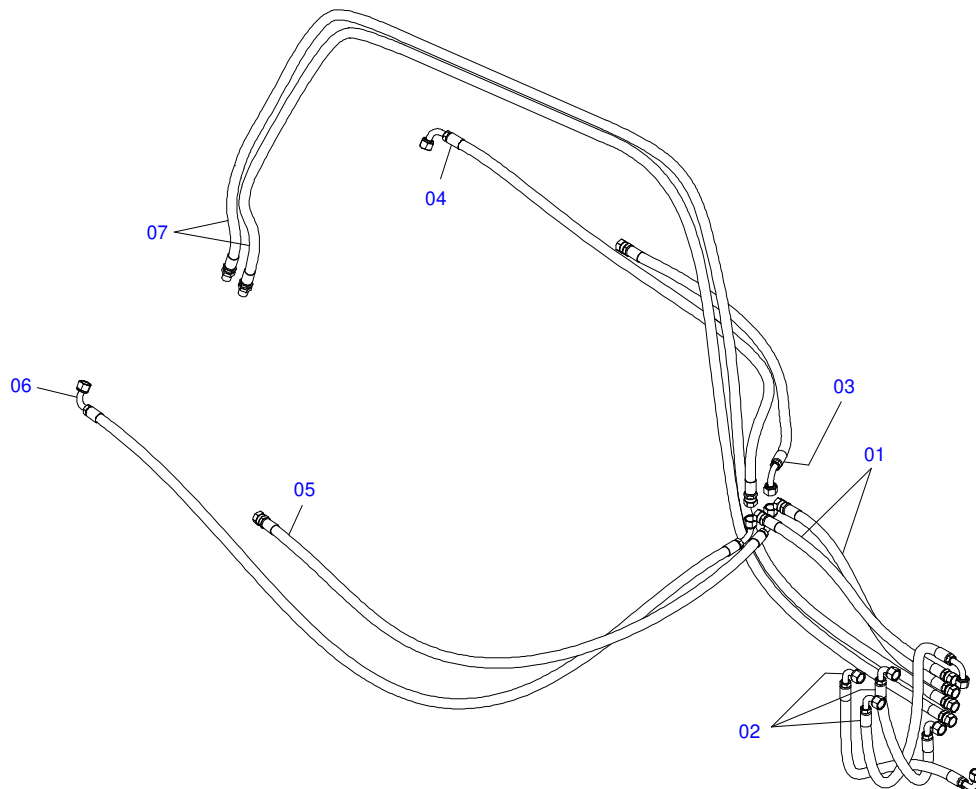
Item	Code	Description	See page	QT
01	0501018845	1.1/4" X 33.46" ROD		01
02	0501010087	1.1/4" NUT		04



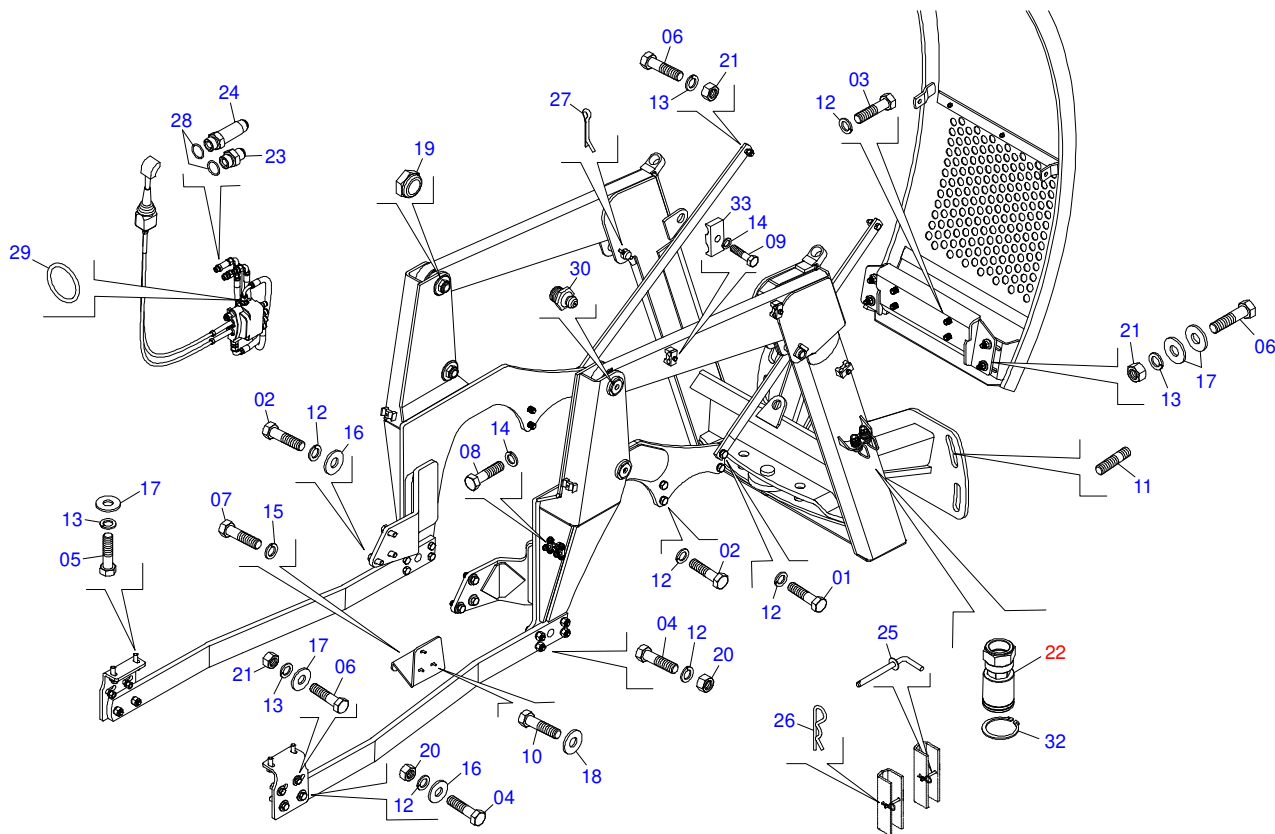
Item	Code	Description	See page	QT
01	0501014250	1.1/4" X 1540 ROD		01
02	0501010087	1.1/4" NUT		04
03	0502012180	CONICAL SPRING WASHER		02



Item	Code	Description	See page	QT
01	0521062692	Ø85,72 X 510 7/8" CYLINDER - PD VTR A950		01
02	0501068208	44,45 X 670 TURNBUCKLE		01
03	0503030387	PLUG		02
04	0503010002	1800 GREASE FITTING		02
05	0503010042	2-214 N 3006-9B O'RING		01
06	0503010063	1" SELF-ALIGNING NUT		01
07	0571019710	1.7" X 3.4" PISTON		01
08	0503017935	RING		01
09	0503018144	RING		01
10	0571019711	RING SUPPORT		01
11	0503010761	D-1750 SCRAPER RING		01
12	0571019709	DETACHABLE COVER		01
13	0503017936	RING		01
14	0503017938	RING GUIDE		01
15	0503017937	GASKET		01
16	0503017940	8-337 BACK-UP RING		02
17	0503017939	2-337 N 3006-9B O' RING		02



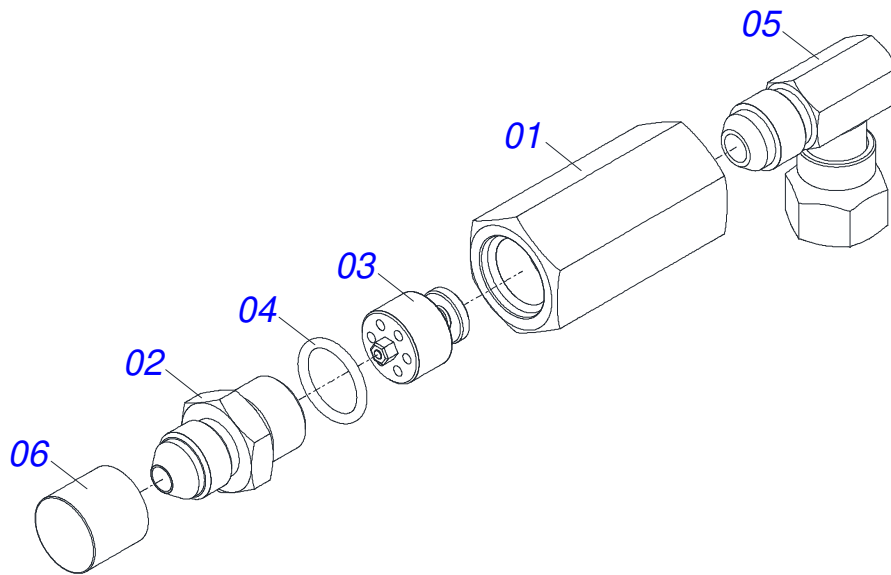
Item	Code	Description	See page	QT
01	0501080087	1/2" X 450 HOSE		02
02	0501080096	1/2 X 500 TC-TC HOSE		03
03	0501080014	HOSE		01
04	0501080059	1/2" X 61" TR-TC HOSE ASSY		01
05	0501081934	1/2 X 2350 TC TR HOSE		01
06	0501081427	1/2 X 3200 HOSE TC-TC		01
07	0501081233	HOSE 1/2 X 3300 TM-TR		02



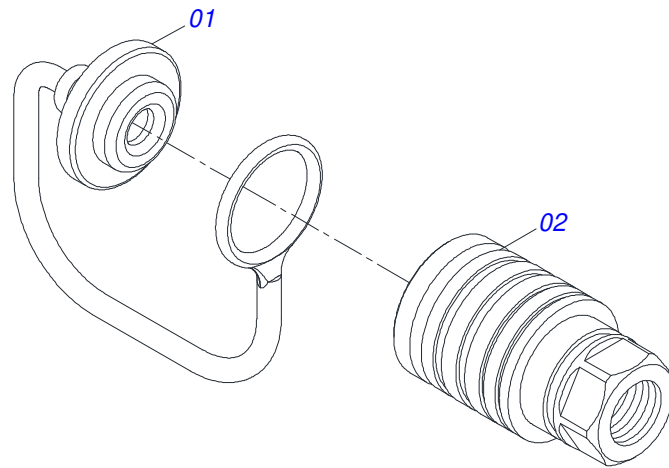
Item	Code	Description	See page	QT
01	0503013111	M20 X 2,5 X 65 BOLT		02
02	0503011322	M20 X 2,5 X 50 BOLT		11
03	0503013629	M20 X 2,5 X 40 C S 8.8 ZN SCREW		04
04	0501010500	3/4"X3"BOLT		12
05	0503011399	M16 X 1,5 X 50 BOLT		04
06	0501010100	SCREW 5/8 UNC X 2 CS G.5 ZN		10
07	0503014691	M12 X 1,75 X 25 BOLT		02
08	0501011179	7/16" X 1" BOLT		01
09	0503011135	BOLT		02
10	0503010371	5/16" X 1" BOLT		03
11	0501010572	1" X 1" X 2.9" STUD		04
12	0503010023	3/4" SPRING WASHER		24
13	0503010027	5/8" SPRING WASHER		14
14	0503010180	7/16" SPRING WASHER		03
15	0503010019	1/2" SPRING WASHER		02
16	0501010322	FLAT WASHER		10
17	0501012140	FLAT WASHER		14
18	0501010694	FLAT WASHER		03
19	0503010044	1-1/4" SELF LOCKING NUT		04
20	0503010014	3/4" NUT		12
21	0503010013	5/8" NUT		04
22	0501053835	FEMALE QUICK COUPLER	13	02
23	0571019992	NIPLE R.7/8"UNF X R.M21 X 1,75 X 46		02
24	0571019993	NIPLE R.7/8"UNF X R.M21 X 1,75 X 90		01
25	0501068994	8,30 X 78 LOCK PIN		02
26	0503030285	HITCH PIN CLIP		02
27	0503010073	3/8 X 3-1/2 COTTERPIN		02
28	0503010190	2-114 N 3006-9B O'RING		03
29	0503010045	O'RING		03
30	0503010002	1800 GREASE FITTING		08
31	0501053834	MALE QUICK COUPLER		04



Item	Code	Description	See page	QT
32	0503010217	501040 CLAMPING RING (FOR AXLE)		04
33	0502010477	HOSE CLAMP		03



Item	Code	Description	See page	QT
01	0503018033	37 X R.7/8 UNF 90° JIC MALE CONNECTOR WITH ROTATING NUT		01
02	0581014053	1/2 BSP X 7/8 UNF JIC X 64 ADAPTER		01
03	0503016854	VALVE ASSY		01
04	0503010045	O'RING		01
05	0581014052	1/2 BSP X 7/8 UNF JIC X 43 NIPLE		01
06	0503030387	PLUG		01



Item	Code	Description	See page	QT
01	0503011883	QUICK CONNECTION COVER		01
02	0503011628	FEMALE QUICK COUPLER		01



MARCHESAN

Technical Publications | Elaboration and Revision

JOÃO VIRGINIO ROCHA

www.marchesan.com.br

