

PD - FRONT LOADER

PD VALTRA A750/850/950 SHT CD JS

Code: 0501092175

Series: S-0716

Revision: 00

Date Revision: ABRIL/2018

PARTS CATALOGUE



MARCHESAN



PRODUCTS

Code	Description
0106020441	PD VTR A750/850/950 SHT CD JS S-0716

ATTENTION: IMPORTANT

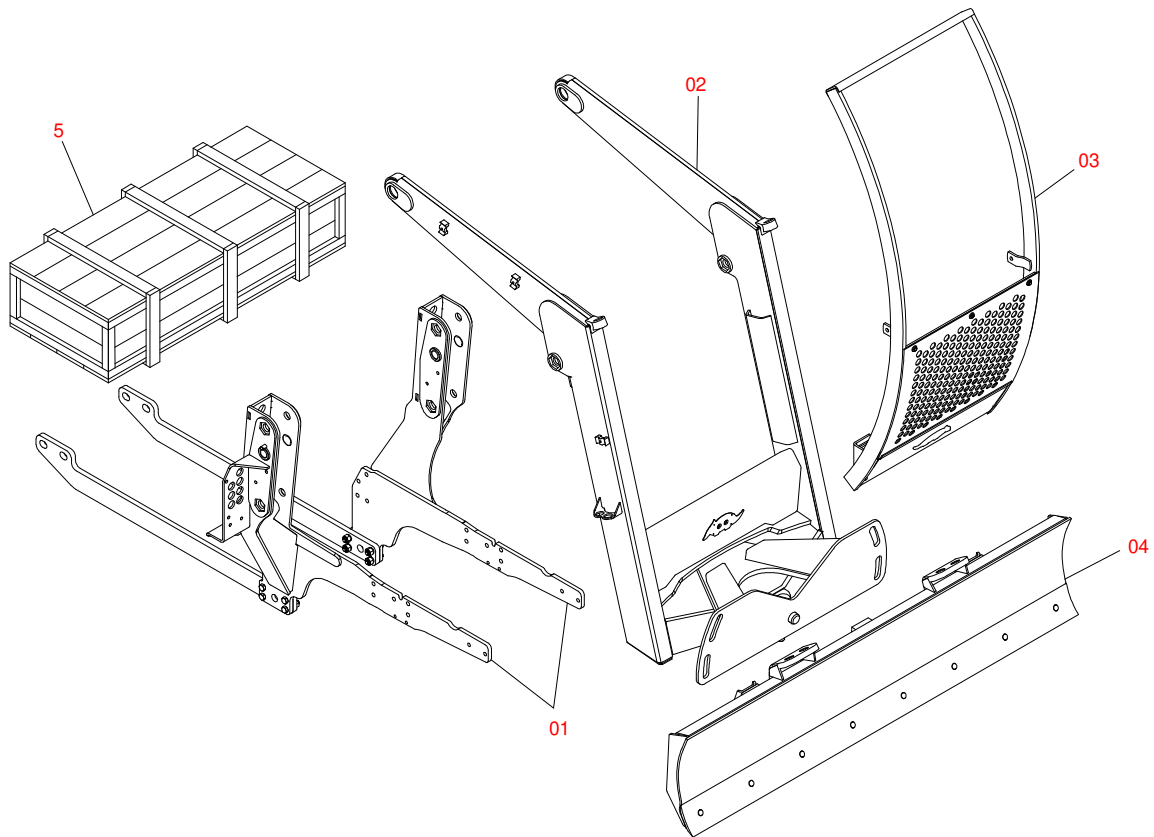
Marchesan S.A. reserves the right to improve and/or modify the technical features of its products, without obligation to do the same with those products already sold and without prior knowledge of the dealer or the consumer. The photos are only illustrative.



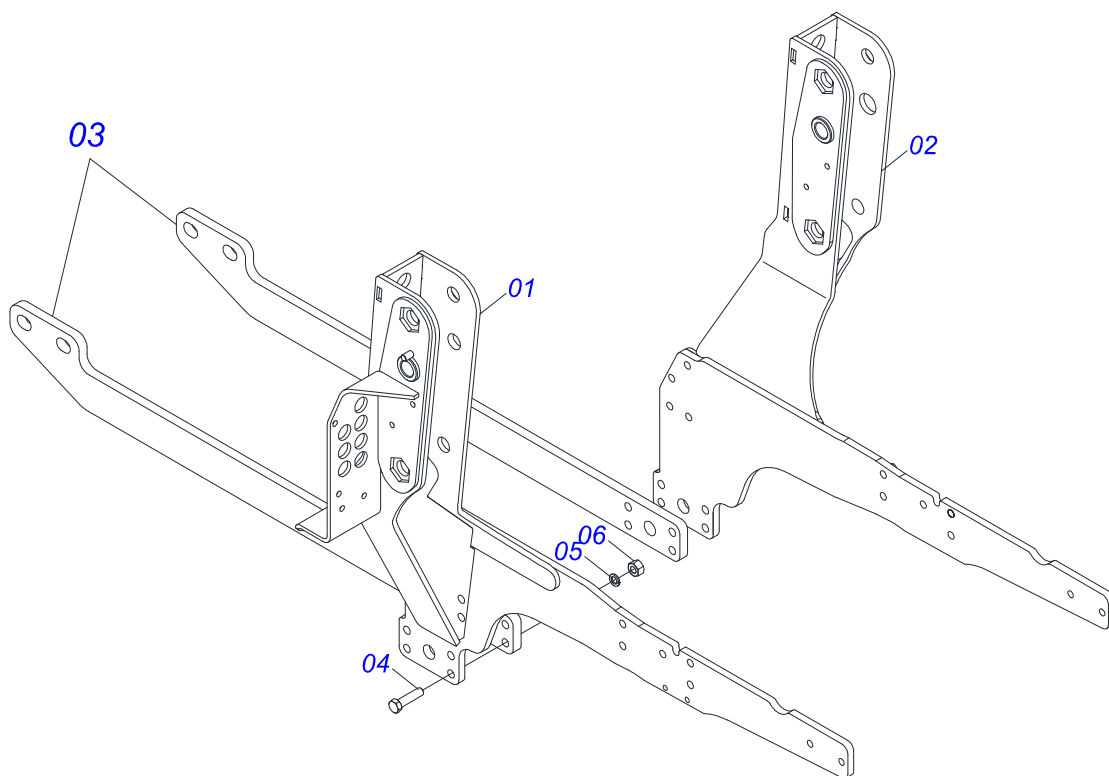
MARCHESAN

INDEX

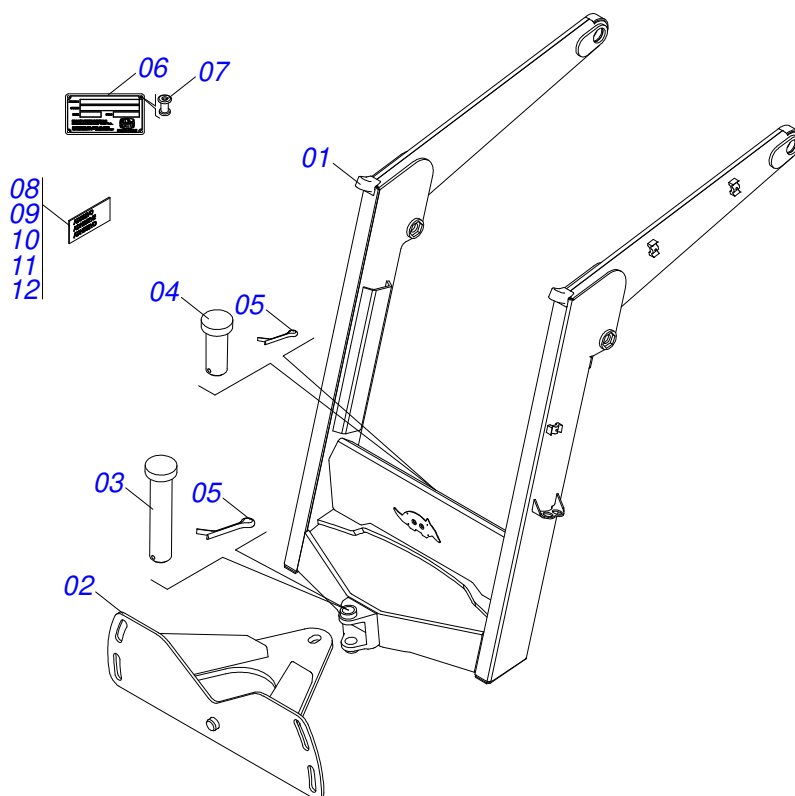
0106020441	PD VTR A750/850/950 SHT CD JS S-0716	1
0521046962	CHASSIS SET WITH REAR BAR	2
0521046960	ASSY MOVEL SUPPORT	3
0521046961	HIGH FRONTAL PROTECTOR - PD VTR A750/85/950	4
0511047750	2400 SCRAPER ASSY WITH STABILIZER BRACKET	5
0501047708	2400 BLADE SUPPORT	6
0521022963	BOX WITH COMPONENTS	7
0521045393	SET SUPPORT JOY STICK	8
0521046875	1/2 COMPLETE JOYSTICK CONTROL	9
0501044434	1" NC X 700 ROD W/NUTS	10
0501041427	1.1/4" NC X 1540 ASSY ROD	11
0521050247	R.7/8 LARGER RETURN FILTER	12
0521046987	FULL OIL RESERVOIR	13
0521045277	40L PUMP WITH PIPES	14
0521050157	44,45 X 85,72 X 1049 X 360 - RIGHT HYDRAULIC CYLINDER	15
0521050158	44,45 X 85,72 X 1049 X 360 - LEFT HYDRAULIC CYLINDER	16
0521050394	HOSE KIT	17
0511032504	PACKAGED PARTS	18
0501053835	FEMALE QUICK COUPLER	19
0511057771	R.7/8UNF - SAFETY VALVE	20



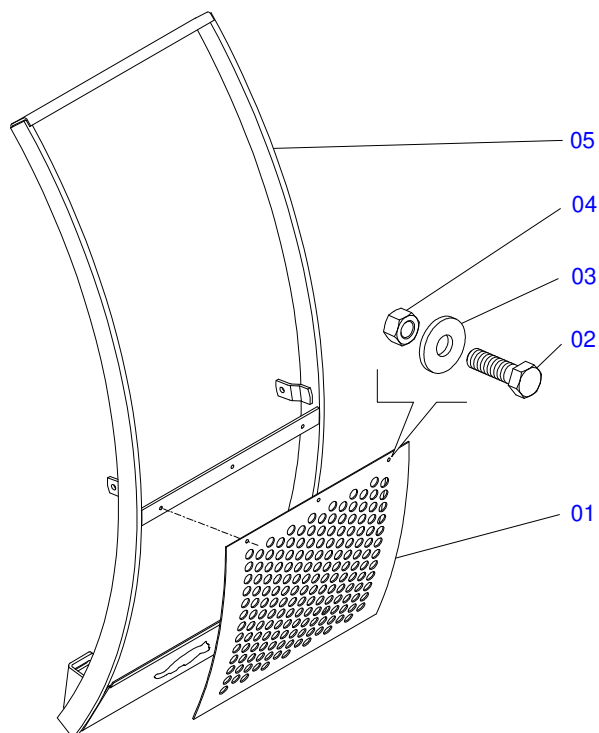
Item	Code	Description	See page	QT
01	0521046962	CHASSIS SET WITH REAR BAR	2	01
02	0521046960	ASSY MOVEL SUPPORT	3	01
03	0521046961	HIGH FRONTAL PROTECTOR - PD VTR A750/85/950	4	01
04	0511047750	2400 SCRAPER ASSY WITH STABILIZER BRACKET	5	01
05	0521022963	BOX WITH COMPONENTS	7	01



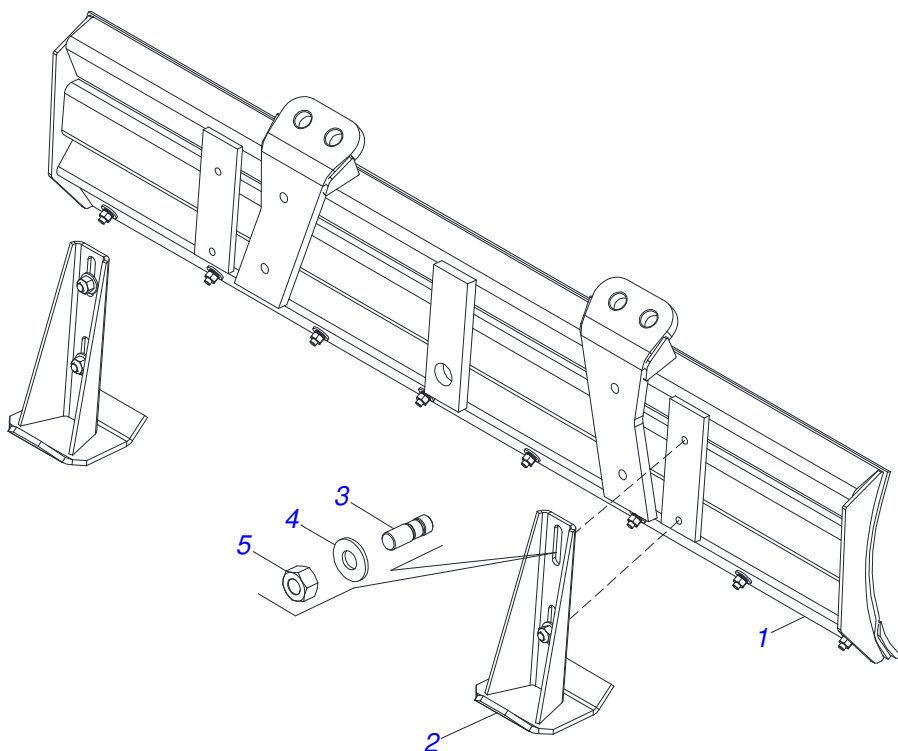
Item	Code	Description	See page	QT
01	0521067466	RIGHT FRAME		01
02	0521067465	LEFT FRAME		01
03	0571019093	REAR COUPLING BAR		02
04	0501010500	3/4"X3"BOLT		08
05	0503010023	3/4" SPRING WASHER		08
06	0503010014	3/4" NUT		08



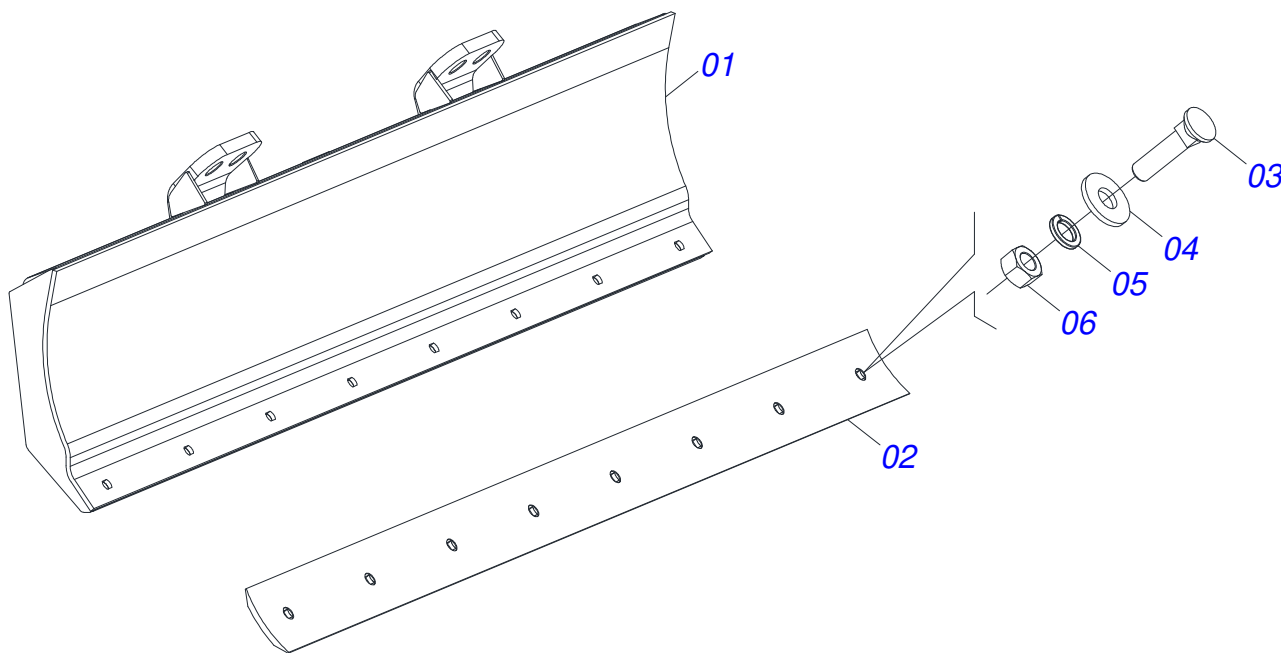
Item	Code	Description	See page	QT
01	0521067528	MOBILE SUPPORT		01
02	0501063368	REGULATOR SUPPORT		01
03	0521010618	1.4" X 8.6" COUPLING SHAFT		01
04	0521010612	1.4" X 3.5" COUPLING SHAFT		01
05	0503010010	1/4" X 2.1/2" COTTERPIN		02
06	0503034003	SERIAL NUMBER TAG 61 X 118		01
07	0503010001	3.2 X 5.5 RIVET		04
08	0503031428	READ MANUAL DECAL		01
09	0503031827	LUBRICATE AND RETIGHTEN DAILY DECAL		01
10	0503062270	SET LABEL ADHESIVE		01
11	0503034078	LIFTING POINTS DECAL		03
12	0503031087	ADHESIVE LABEL		01



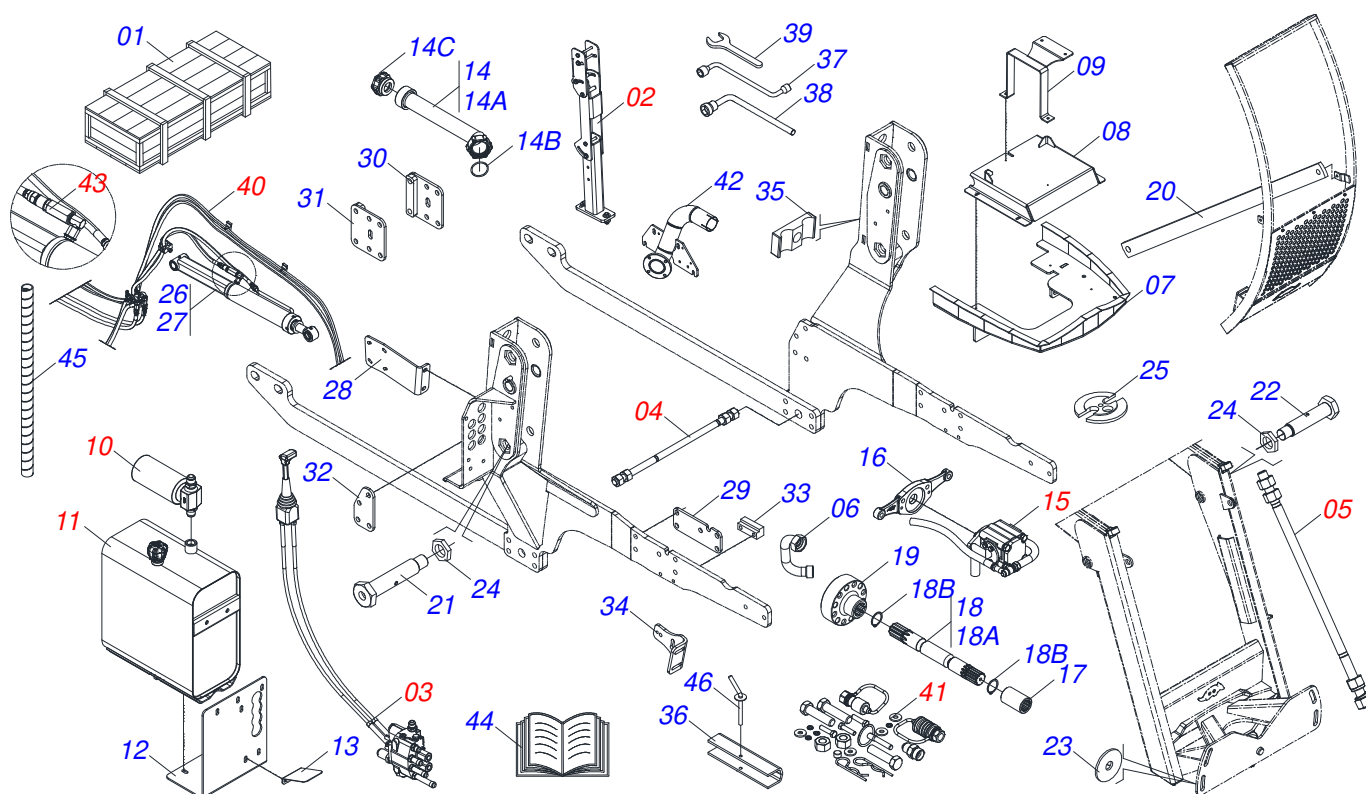
Item	Code	Description	See page	QT
01	0501014686	FRONT PROTECTION		01
02	0503010751	C3/8" X 1.1/4" HEX BOLT G.5		03
03	0501010984	FLAT WASHER		03
04	0503010026	3/8" NUT		03
05	0521064583	MOBILE SUPPORT GUIDE		01



Item	Code	Description	See page	QT
01	0501047708	2400 BLADE SUPPORT	6	01
02	0501063411	ESTABILIZER BRACKET		02
03	0561016756	3/4 UNC X 3/4 UNC X 56 PRISONER		04
04	0501010322	FLAT WASHER		04
05	0503010014	3/4" NUT		04



Item	Code	Description	See page	QT
01	0501067999	2390 BLADE SUPPORT		01
02	0622360016	94.5" SCRAPER REVERSIBLE		01
03	0501012240	BOLT		08
04	0501012140	FLAT WASHER		08
05	0503011445	SPRING WASHER		08
06	0503010013	5/8" NUT		08



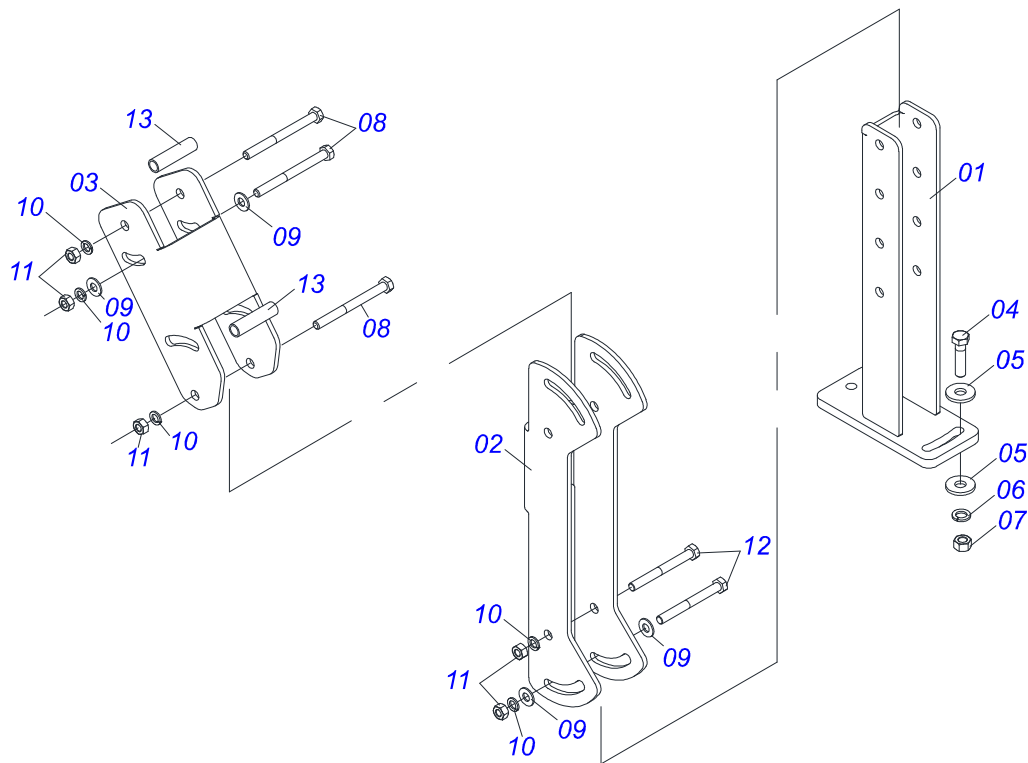
Item	Code	Description	See page	QT
01	0501100416	WOODEN BOX		01
02	0521045393	SET SUPPORT JOY STICK	8	01
03	0521046875	1/2 COMPLETE JOYSTICK CONTROL	9	01
04	0501044434	1" NC X 700 ROD W/NUTS	10	01
05	0501041427	1.1/4" NC X 1540 ASSY ROD	11	02
06	0521067470	TANK OUTLET TUBE		01
07	0521065610	FRONT COVER		01
08	0521065612	BATTERY HOLDER		01
09	0571017962	FILTER HOLDER		01
10	0521050247	R.7/8 LARGER RETURN FILTER	12	01
11	0521046987	FULL OIL RESERVOIR	13	01
12	0581013225	TANK HOLDER 340		01
13	0581013395	HOSE PROTECTION		01
14	0521050292	TANK MOUTH EXTENSION WITH LID		01
14A	0521067432	FUEL FILLER NECK (DIESEL)		01
14B	0503010141	2-226 N 3006-9B O'RING		02
14C	0502020549	TANK COVER		01
15	0521045277	40L PUMP WITH PIPES	14	01
16	0502010097	PUMP SUPPORT		01
17	0503030838	1-1/8" X 2.4" SLEEVE		01
18	0521054138	290 X 1.1/8 SHAFT WITH LOCKING RING		01
18A	0521065607	290 X 1.1/8 STRIATED SHAFT		01
18B	0503010174	501028 CLAMPING RING (FOR AXLE)		02
19	0501067327	COUPLING FLANGE		01
20	0581013368	FRONT GUARD BRACKET BAR		02
21	0581013410	1.1/4" UNF X 155 BOLT		04
22	0581013378	GREASE SCREW		02
23	0501010574	FLAT WASHER		04
24	0581010243	WASHER HEX		06
25	0581013404	PUMP		02
26	0521050157	44,45 X 85,72 X 1049 X 360 - RIGHT HYDRAULIC CYLINDER	15	01



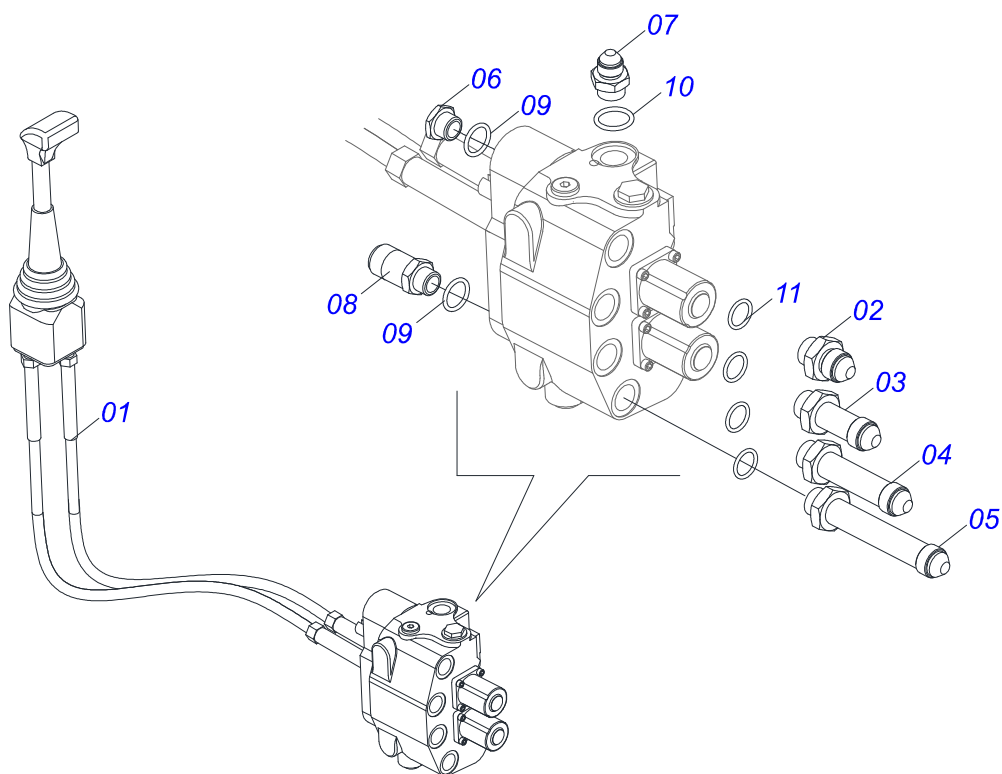
BOX WITH COMPONENTS

0521022963

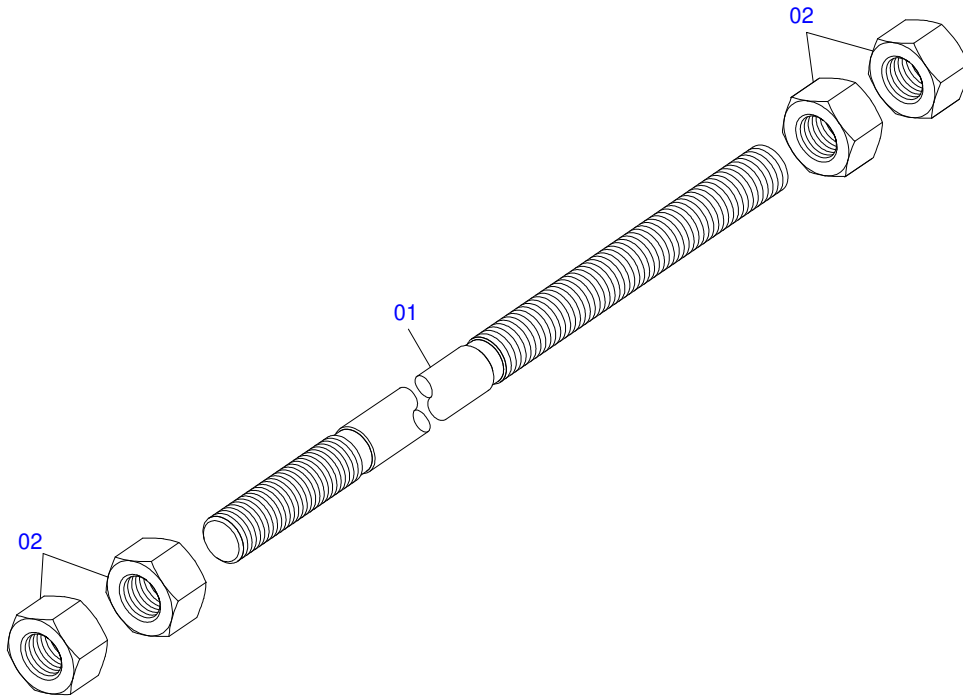
Item	Code	Description	See page	QT
27	0521050158	44,45 X 85,72 X 1049 X 360 - LEFT HYDRAULIC CYLINDER	16	01
28	0521067467	COMMAND SUPPORT		01
29	0571017227	CHASSIS SHIM		02
30	0521067359	LEFT FRAME LOCK		01
31	0521067351	RIGHT FRAME LOCK		01
32	0581013406	CENTRAL OUTER SHIM		02
33	0581013402	BEATER		02
34	0571010158	FIXER GUIDE MOBILE SUPPORT		02
35	0502010477	HOSE CLAMP		05
36	0531017238	LOCK TRANSPORT		02
37	0501068213	5/8" WRENCH DOUBLE		01
38	0501061617	1" GANG BOLT WRENCH		01
39	0511010153	2-5/16" FIXED WRENCH		01
40	0521050394	HOSE KIT	17	01
41	0511032504	PACKAGED PARTS	18	01
42	0521067469	EXHAUST ADAPTER		01
43	0511057771	R.7/8UNF - SAFETY VALVE	20	02
44	0511033668	BAG WITH INSTRUCTION MANUAL		01
45	0581010090	SPRING PROTECTION PLASTIC HOSE		02
46	0501068994	8,30 X 78 LOCK PIN		02



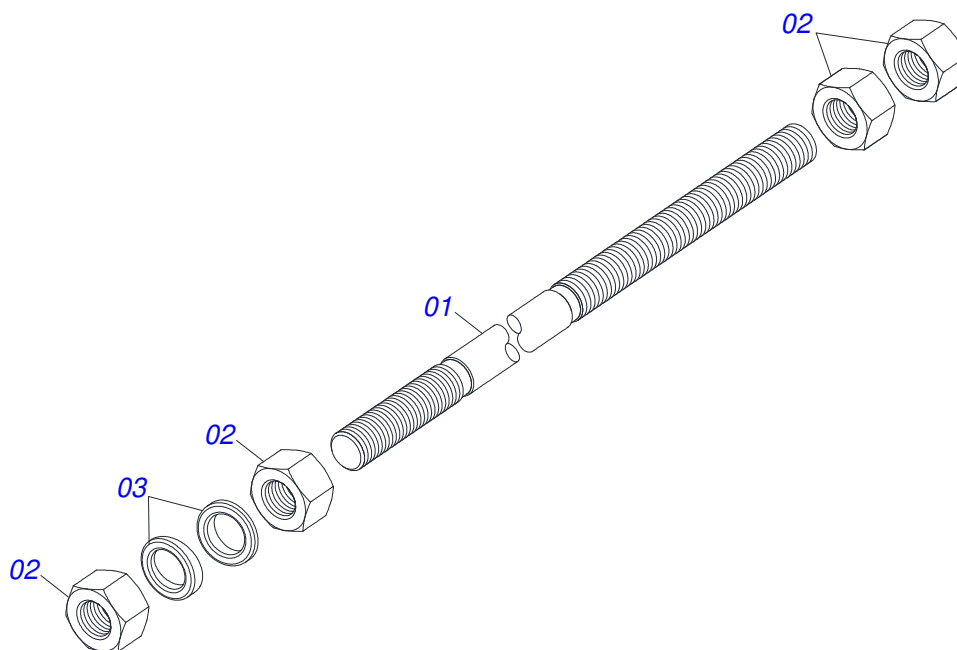
Item	Code	Description	See page	QT
01	0521065789	LOWER JOYSTICK SUPPORT		01
02	0571018376	CENTRAL BODY SUPPLEMENT OF JOYSTICK		01
03	0571018375	SUPERIOR BODY SUPPLEMENT OF JOYSTICK		01
04	0503010849	3/8" X 1-1/2" BOLT		02
05	0501010984	FLAT WASHER		02
06	0503010025	3/8" SPRING WASHER		02
07	0503010026	3/8" NUT		02
08	0503010848	5/16" X 3.1/2" BOLT		04
09	0501010694	FLAT WASHER		06
10	0503010179	LOCK WASHER		06
11	0503010337	5/16" NUT		06
12	0503011053	5/16" X 3" C S 6.5 ZN BOLT		02
13	0541015551	0.39" X 0.512" X 1.9" SLEEVE		02



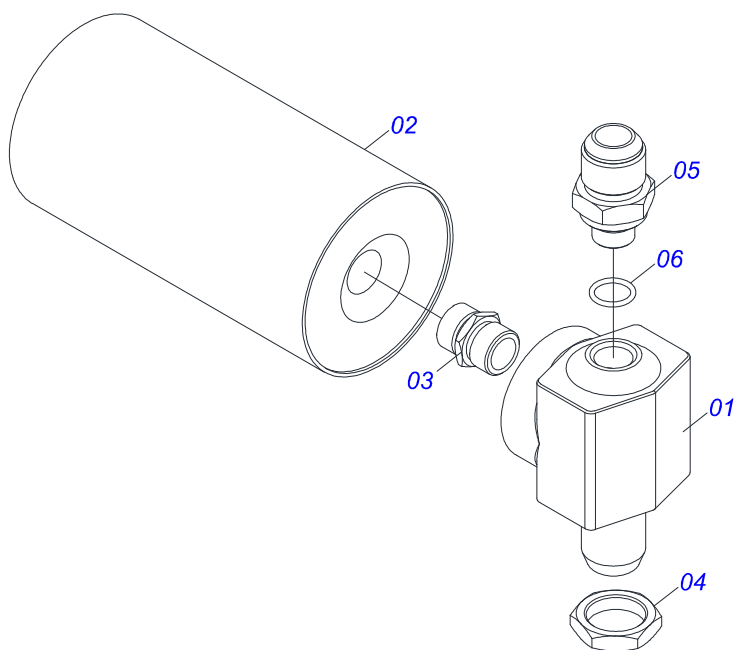
Item	Code	Description	See page	QT
01	0503062624	COMPLETE JOYSTICK CONTROL SDM122/2		01
02	0501010590	NIPPLE		01
03	0581013293	7/8 NF NIPPLE FITTING		01
04	0581013292	R.7/8 NF NIPPLE FITTING		01
05	0581013291	R.7/8 NF NIPPLE FITTING		01
06	0501015335	1.1/16" UN X 22 PLUG		01
07	0581013289	R.1.1/16 UN X 1/2 BSP X 52 VTR A750/85/950		01
08	0581013290	R.1.5/16 X R.1.1/16 X 90 SEXT 1.1/2 NIPPLE VTR A750		01
09	0503011109	2-119 N 3006-9B O'RING		02
10	0503010045	O'RING		01
11	0503010190	2-114 N 3006-9B O'RING		04



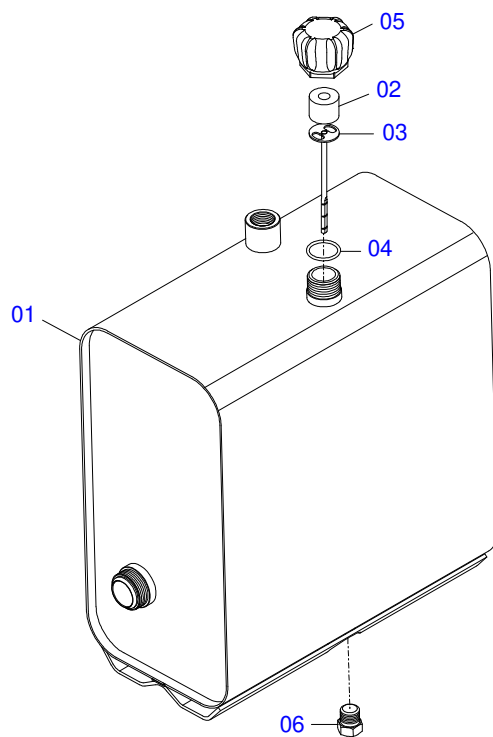
Item	Code	Description	See page	QT
01	0501014753	1" NC X 700 ROD		01
02	0501010087	1.1/4" NUT		04



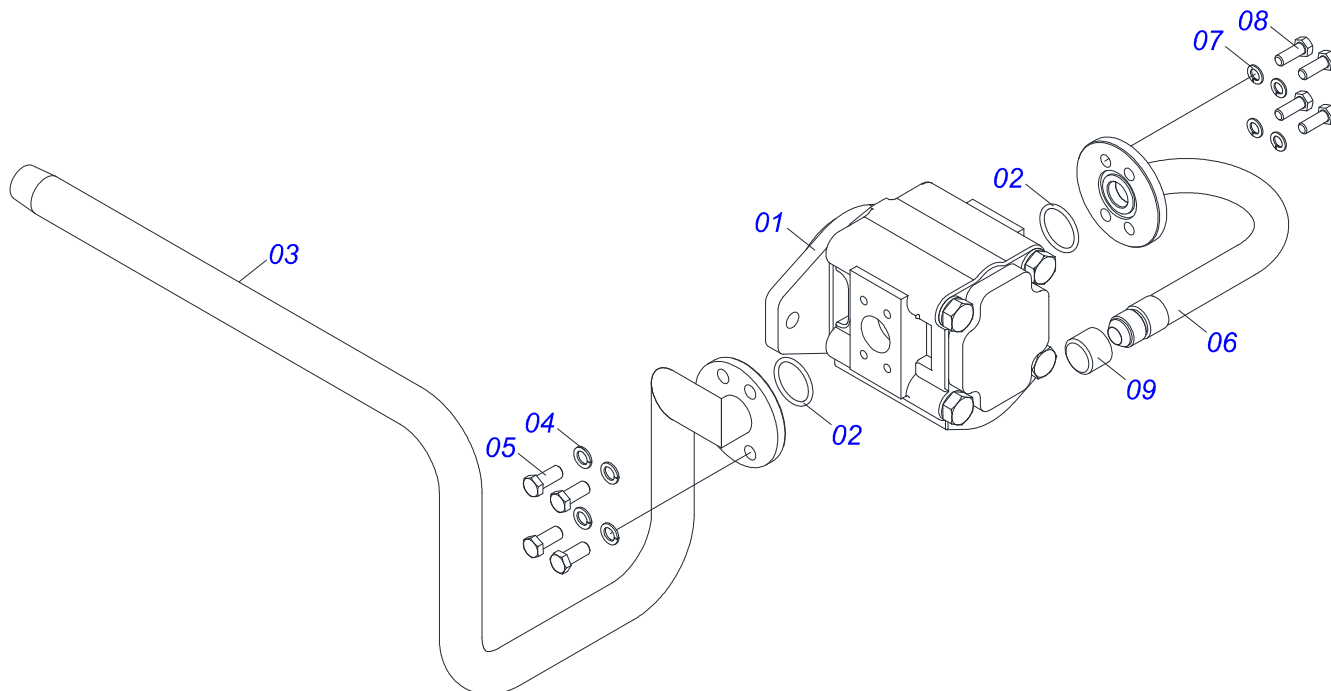
Item	Code	Description	See page	QT
01	0501014250	1.1/4" X 1540 ROD		01
02	0501010087	1.1/4" NUT		04
03	0502012180	CONICAL SPRING WASHER		02



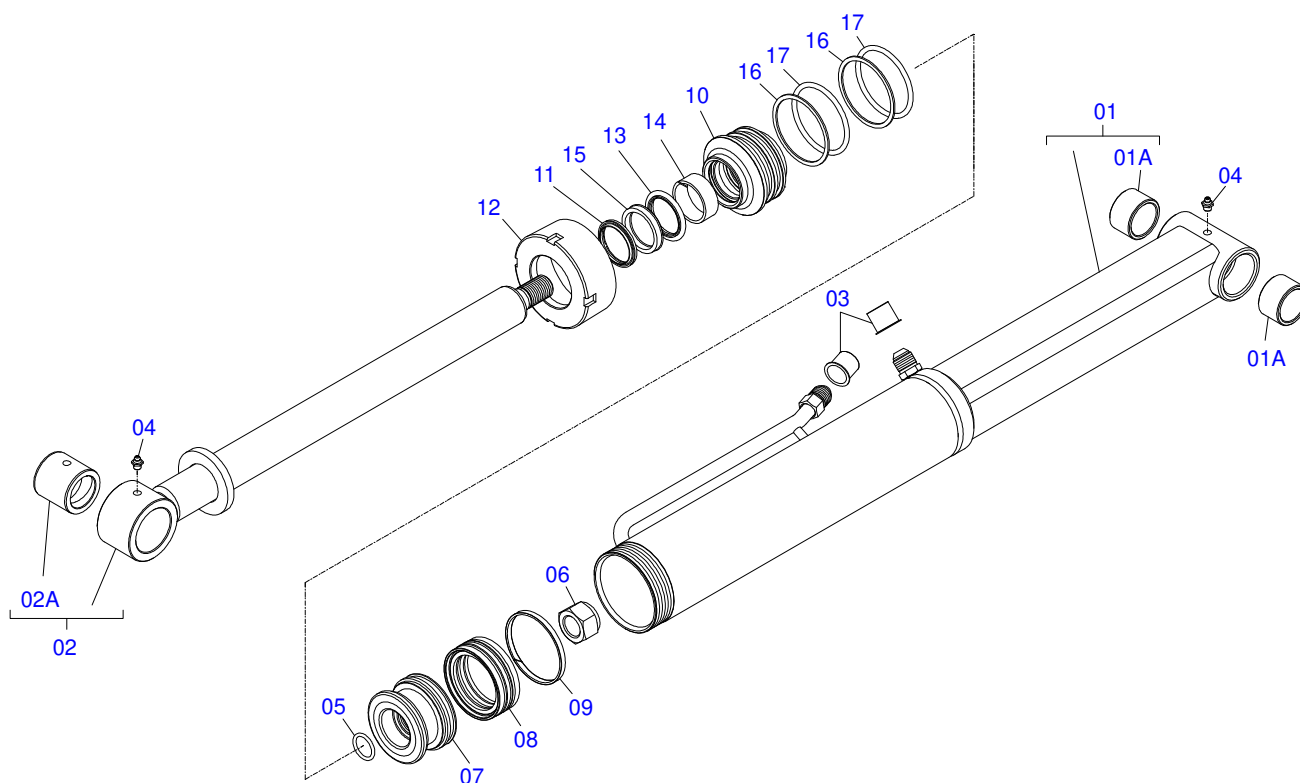
Item	Code	Description	See page	QT
01	0581013367	RETURN FILTER HEAD R.7/8		01
02	0503010183	RETURNING FILTER		01
03	0501010595	1" NF NIPPLE FITTING		01
04	0501010594	1" NUT		01
05	0581013366	R.1.5/16 X R.7/8 X 64 SEXT 1.1/2 NIPPLE FITTING		01
06	0503010045	O'RING		01



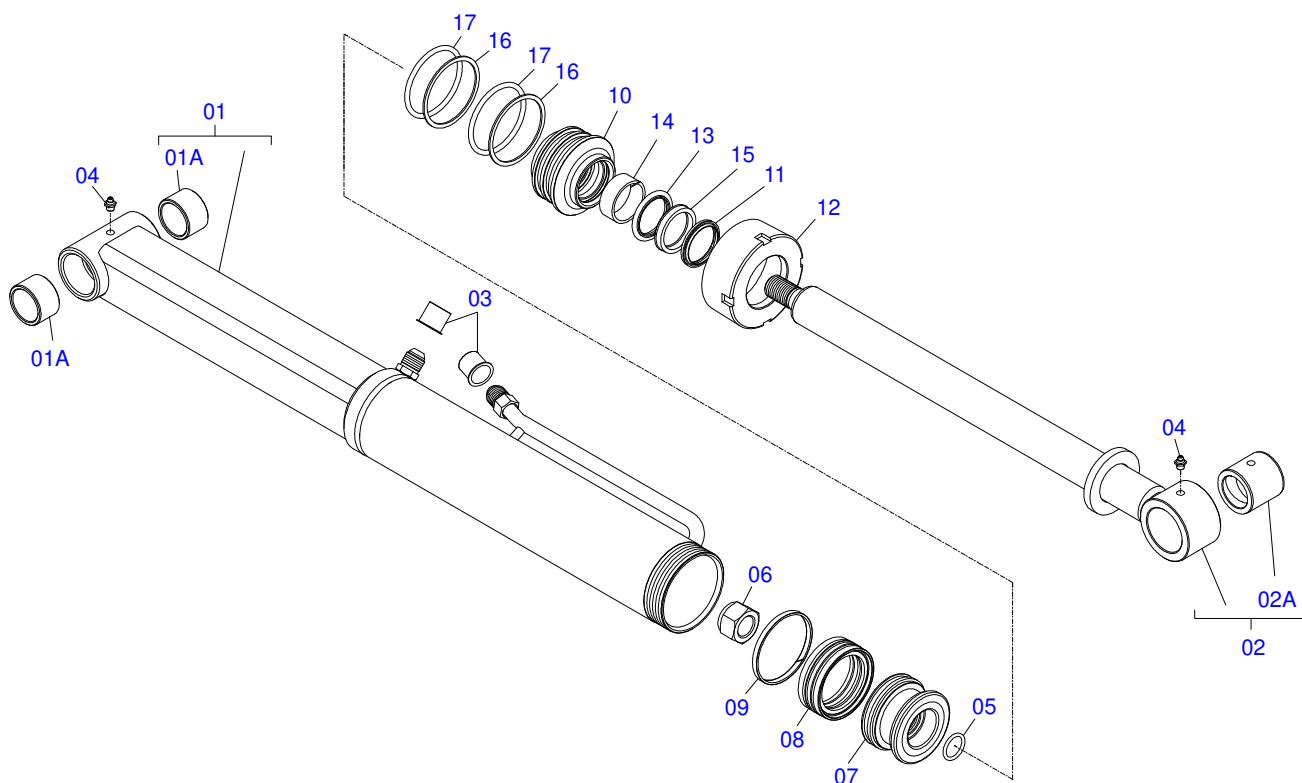
Item	Code	Description	See page	QT
01	0501068880	OIL RESERVOIR		01
02	0503030044	FILTERING ELEMENT		01
03	0501060975	OIL GAGE		01
04	0503010185	2-221 N 3006-9B O'RING		01
05	0502020472	FRONTAL COVER		01
06	0503031604	1/2" BSP PLUG		01



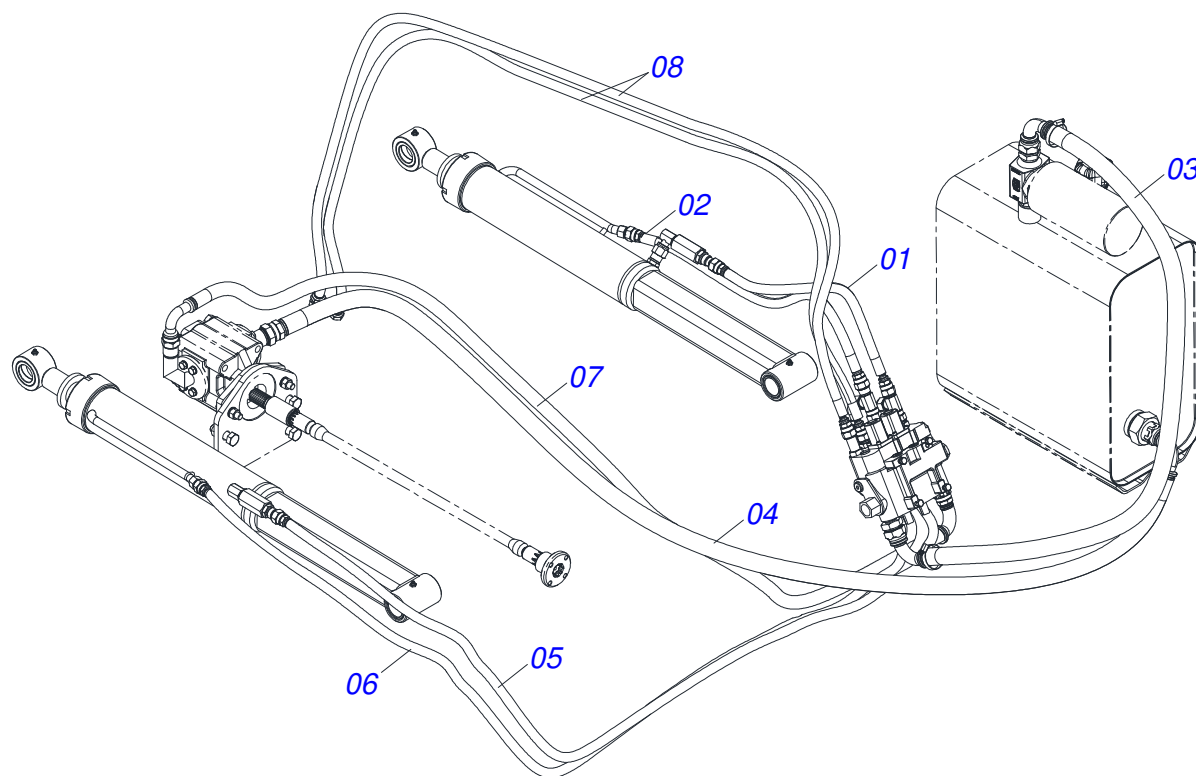
Item	Code	Description	See page	QT
01	0503060153	40L 1/2" PUMP		01
02	0503010173	2-220 N 3006-9B O'RING		02
03	0521065608	SUCTION DUCT PCA VTR A750/A950		01
04	0503010180	7/16" SPRING WASHER		04
05	0503010355	7/16" X 1" BOLT		04
06	0521065615	PUMP PRESSURE LINE		01
07	0503010025	3/8" SPRING WASHER		04
08	0503011087	3/8" X 1" BOLT		04
09	0503030388	PLUG N-005		01



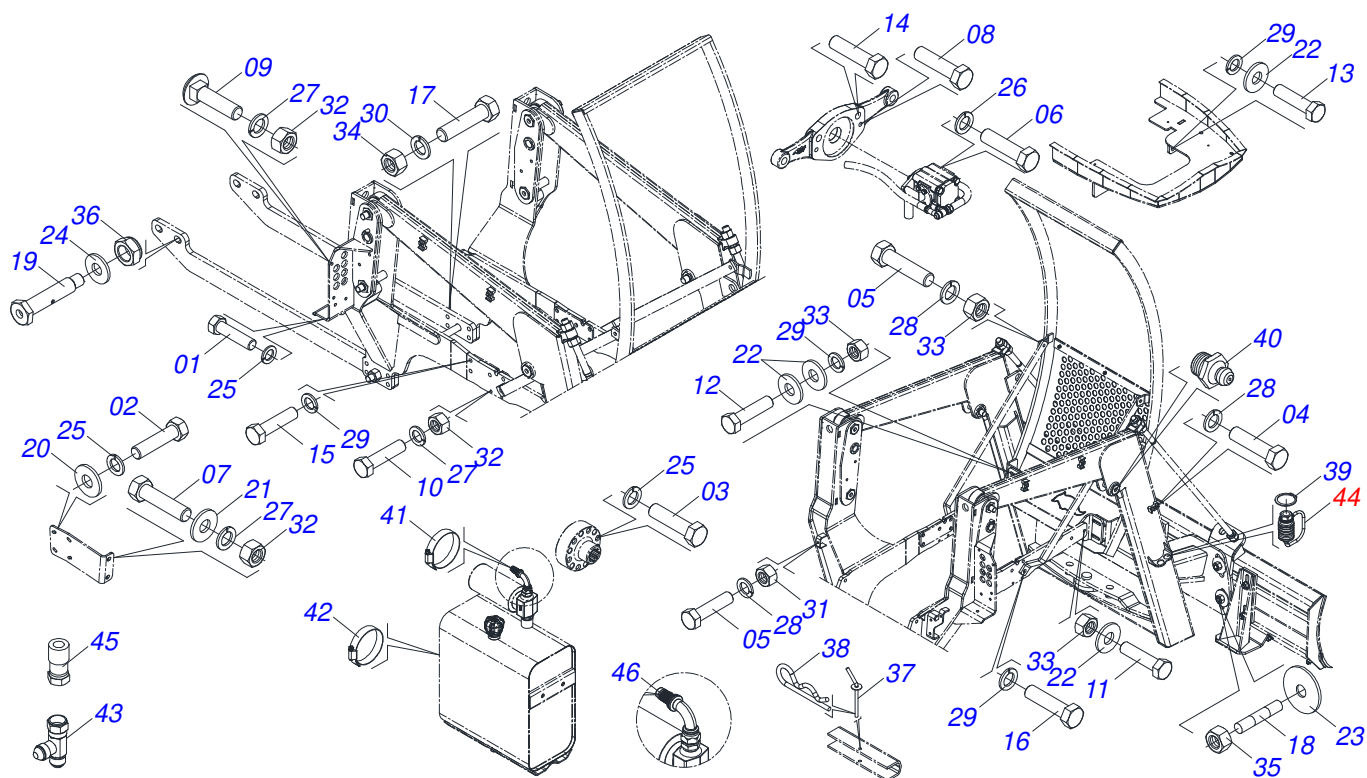
Item	Code	Description	See page	QT
01	0521067430	CYLINDER BODY		01
01A	0541014740	SLEEVE		02
02	0521067431	44,45 X 590 EXTENDER - PD VTR A750		01
02A	0521010514	38,1 X 52,9 X 50 SLEEVE INTER		01
03	0503030387	PLUG		02
04	0503010002	1800 GREASE FITTING		02
05	0503010042	2-214 N 3006-9B O'RING		01
06	0503010063	1" SELF-ALIGNING NUT		01
07	0571019710	1.7" X 3.4" PISTON		01
08	0503017935	RING		01
09	0503018144	RING		01
10	0571019711	RING SUPPORT		01
11	0503010761	D-1750 SCRAPER RING		01
12	0571019709	DETACHABLE COVER		01
13	0503017936	RING		01
14	0503017938	RING GUIDE		01
15	0503017937	GASKET		01
16	0503017940	8-337 BACK-UP RING		02
17	0503017939	2-337 N 3006-9B O' RING		02



Item	Code	Description	See page	QT
01	0521067429	85,72 X 468 7/8 LEFT CYLINDER BODY - PD VTR A750		01
01A	0541014740	SLEEVE		02
02	0521067431	44,45 X 590 EXTENDER - PD VTR A750		01
02A	0521010514	38,1 X 52,9 X 50 SLEEVE INTER		01
03	0503030387	PLUG		02
04	0503010002	1800 GREASE FITTING		02
05	0503010042	2-214 N 3006-9B O'RING		01
06	0503010063	1" SELF-ALIGNING NUT		01
07	0571019710	1.7" X 3.4" PISTON		01
08	0503017935	RING		01
09	0503018144	RING		01
10	0571019711	RING SUPPORT		01
11	0503010761	D-1750 SCRAPER RING		01
12	0571019709	DETACHABLE COVER		01
13	0503017936	RING		01
14	0503017938	RING GUIDE		01
15	0503017937	GASKET		01
16	0503017940	8-337 BACK-UP RING		02
17	0503017939	2-337 N 3006-9B O' RING		02



Item	Code	Description	See page	QT
01	0501081638	1/2 X 1050 TC-TR HOSE		01
02	0501080093	1/2 X 1300 HOSE TR-TC		01
03	0501014090	1 X 1450 AB-AB HOSE		01
04	0501013456	1.1/4 X 1600 AB-AB HOSE		01
05	0501080307	1/2" X 2150 TR-TR HOSE		01
06	0501080288	1/2 X 2300 TR-TR HOSE		01
07	0501080892	3/4 X 2500 TC-TC HOSE		01
08	0501081407	1/2 X 3100 TR-TC HOSE		02



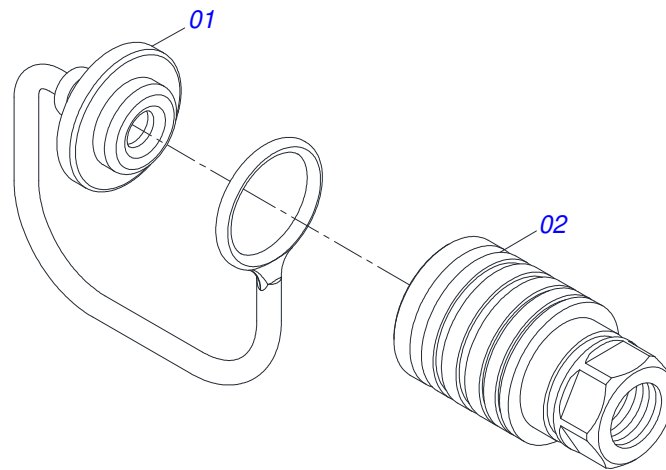
Item	Code	Description	See page	QT
01	0503016506	5/16 UNC X 3/4 C S G.5 ZN BOLT		04
02	0503011295	M 8 X 1,25 X 25 BOLT		04
03	0503011313	M 8 X 1,25 X 50 BOLT		06
04	0503011135	BOLT		04
05	0503011173	7/16" X 2" BOLT		01
06	0503010728	M10 X 1.2" BOLT		02
07	0503010395	1/2" X 1-1/4" BOLT		02
08	0501010161	1/2" X 1.1/4" BOLT		07
09	0503014734	BOLT		05
10	0503010479	BOLT		01
11	0501010100	SCREW 5/8 UNC X 2 CS G.5 ZN		06
12	0503010899	5/8" X 2-1/4" BOLT		04
13	0503010148	M16 X 2 X 40 BOLT		02
14	0503011188	M16 X 2 X 50 BOLT		02
15	0503011730	M16 X 2 X 60 BOLT		18
16	0503012693	M16 X 2 X 75 BOLT		02
17	0501010500	3/4"X3"BOLT		16
18	0561016755	PRISONER 1 UNC X 1 UNC X 76 ZN		01
19	0571019101	1.1/4 UNF X 110 BOLT		02
20	0501010694	FLAT WASHER		08
21	0511017302	FLAT WASHER		07
22	0501012140	FLAT WASHER		12
23	0501010574	FLAT WASHER		04
24	0521011132	FLAT WASHER		02
25	0503010179	LOCK WASHER		08
26	0503010025	3/8" SPRING WASHER		06
27	0503010019	1/2" SPRING WASHER		17
28	0503010180	7/16" SPRING WASHER		05
29	0503010027	5/8" SPRING WASHER		32
30	0503010023	3/4" SPRING WASHER		16
31	0503010244	7/16" NUT		02



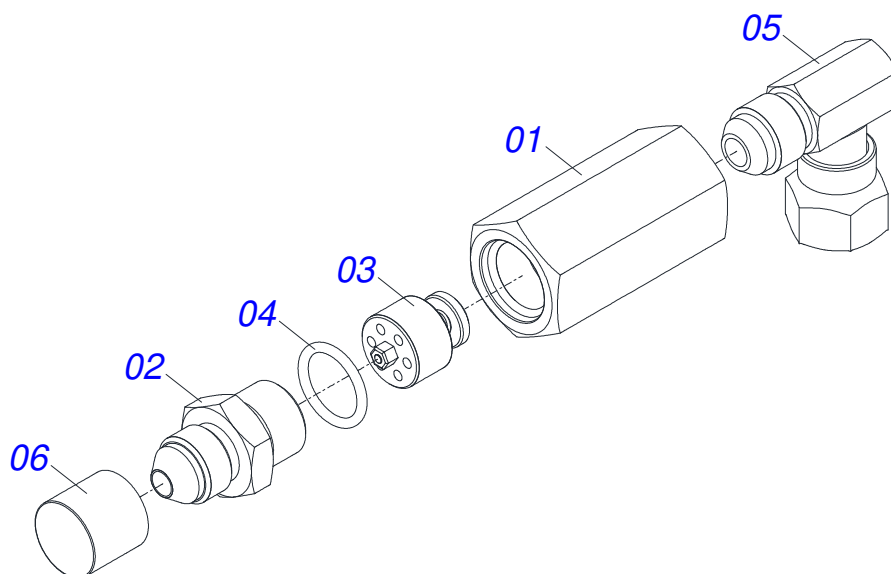
PACKAGED PARTS

0511032504

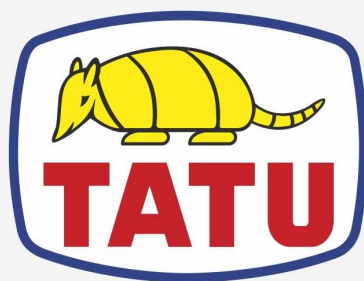
Item	Code	Description	See page	QT
32	0503010060	1/2" NUT		12
33	0503010013	5/8" NUT		08
34	0503010014	3/4" NUT		20
35	0501010059	1.5/8 NUT		04
36	0503010044	1-1/4" SELF LOCKING NUT		08
37	0501068994	8,30 X 78 LOCK PIN		02
38	0503030012	HITCH PIN CLIP		02
39	0503010174	501028 CLAMPING RING (FOR AXLE)		02
40	0503010002	1800 GREASE FITTING		10
41	0503010243	CLAMP		04
42	0503014367	CLAMP		02
43	0503062177	7/8 (V.C) T-ADAPTER WITH NUT		02
44	0501053835	FEMALE QUICK COUPLER	19	02
45	0503014881	STRAIGHT TERMINAL		01
46	0503018722	JIC CURVE TERMINAL FOR HOSE 1"		02



Item	Code	Description	See page	QT
01	0503011883	QUICK CONNECTION COVER		01
02	0503011628	FEMALE QUICK COUPLER		01



Item	Code	Description	See page	QT
01	0503018033	37 X R.7/8 UNF 90° JIC MALE CONNECTOR WITH ROTATING NUT		01
02	0581014053	1/2 BSP X 7/8 UNF JIC X 64 ADAPTER		01
03	0503016854	VALVE ASSY		01
04	0503010045	O'RING		01
05	0581014052	1/2 BSP X 7/8 UNF JIC X 43 NIPLE		01
06	0503030387	PLUG		01



MARCHESAN

Technical Publications | Elaboration and Revision
JOÃO VIRGINIO ROCHA

www.marchesan.com.br

