

PD - FRONT LOADER

PD VALTRA A750/850/950 BT SC CL

Code: 0501092174

Series: S-0716

Revision: 00

Date Revision: ABRIL/2018

PARTS CATALOGUE



MARCHESAN



PRODUCTS

Code	Description
0106020439	PD VTR A750/850/950 BT SC CL

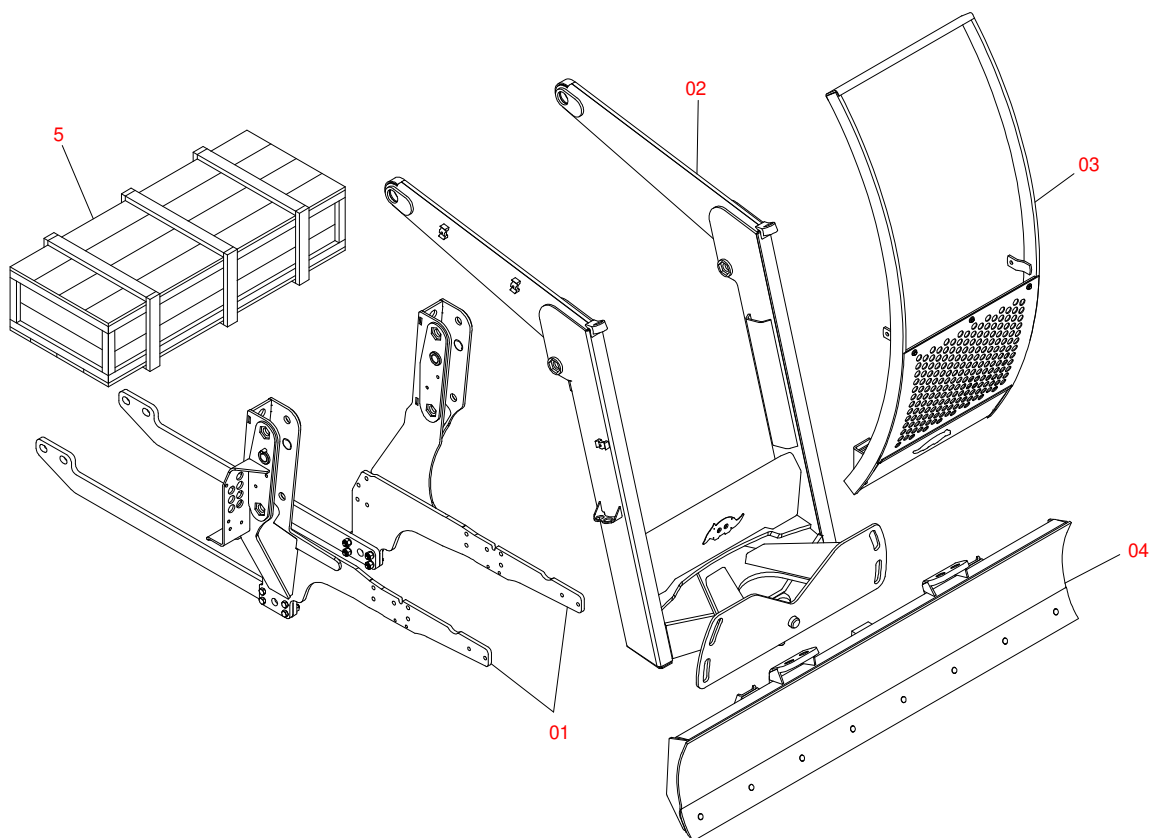
ATTENTION: IMPORTANT

Marchesan S.A. reserves the right to improve and/or modify the technical features of its products, without obligation to do the same with those products already sold and without prior knowledge of the dealer or the consumer. The photos are only illustrative.

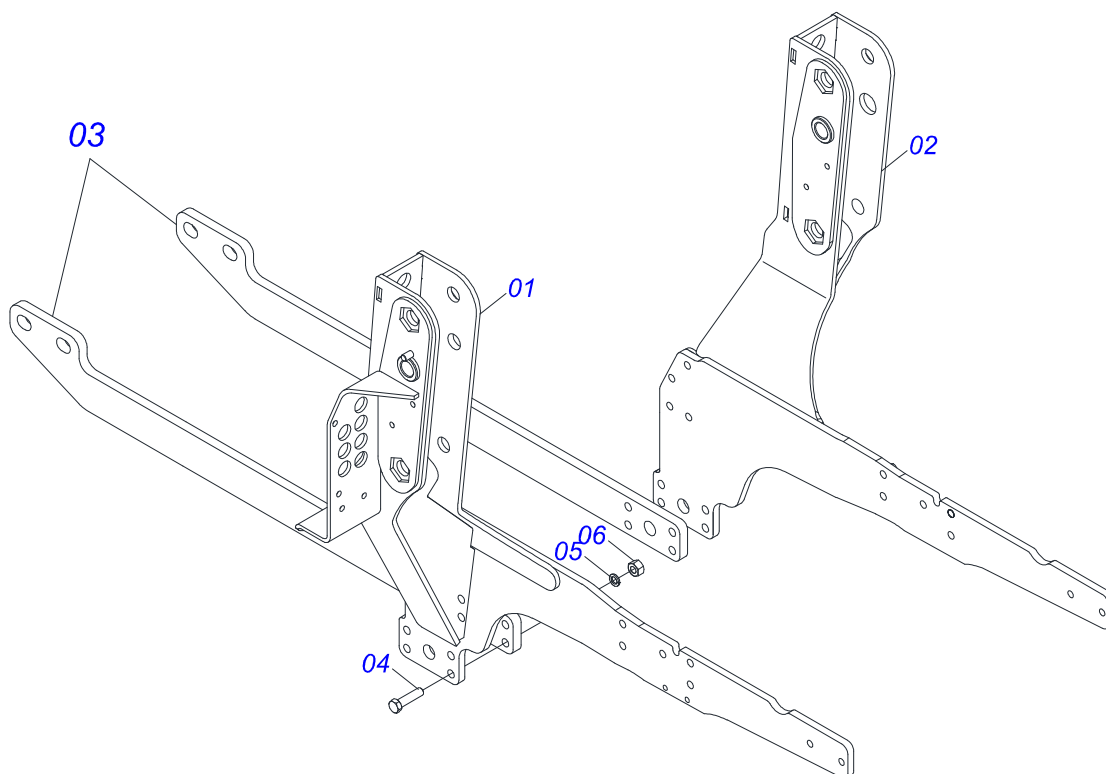


INDEX

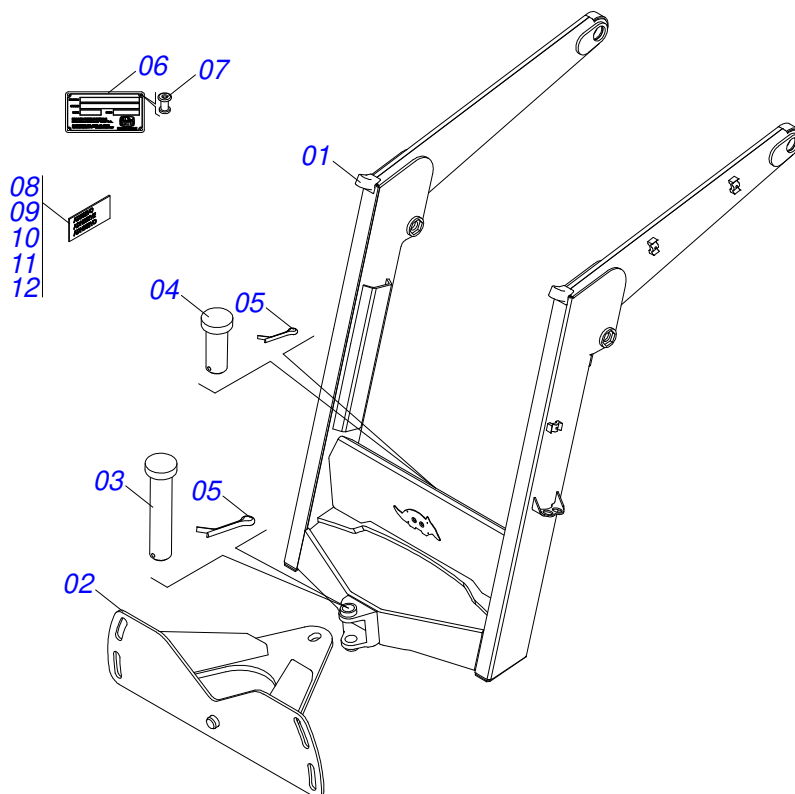
0106020439	PD VTR A750/850/950 BT SC CL	1
0521046962	CHASSIS SET WITH REAR BAR	2
0521046960	ASSY MOVEL SUPPORT	3
0521046961	HIGH FRONTAL PROTECTOR - PD VTR A750/85/950	4
0511047750	2400 SCRAPER ASSY WITH STABILIZER BRACKET	5
0501047708	2400 BLADE SUPPORT	6
0521022960	BOX WITH COMPONENTS	7
0501044434	1" NC X 700 ROD W/NUTS	8
0501041427	1.1/4" NC X 1540 ASSY ROD	9
0521050157	44,45 X 85,72 X 1049 X 360 - RIGHT HYDRAULIC CYLINDER	10
0521050158	44,45 X 85,72 X 1049 X 360 - LEFT HYDRAULIC CYLINDER	11
0521050378	HOSE KIT	12
0511032502	PACKED PARTS	13
0501053835	FEMALE QUICK COUPLER	14
0501053834	MALE QUICK COUPLER	15
0511057771	R.7/8UNF - SAFETY VALVE	16



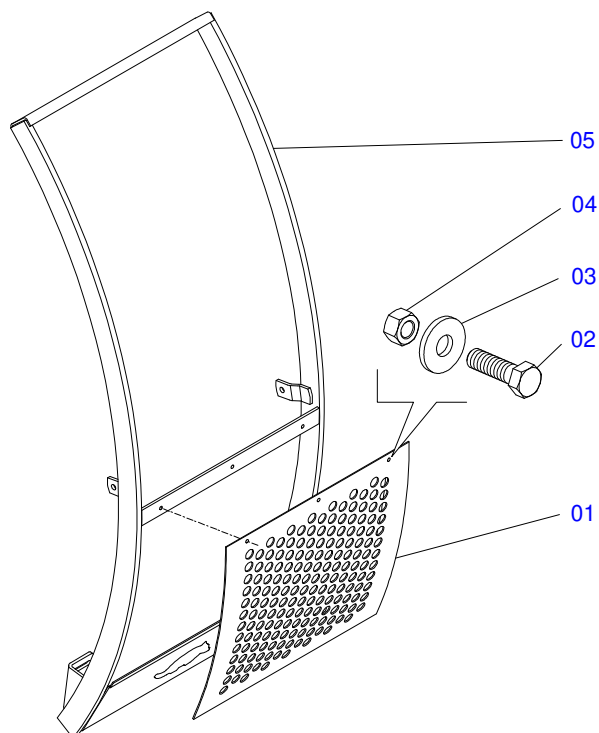
Item	Code	Description	See page	QT
01	0521046962	CHASSIS SET WITH REAR BAR	2	01
02	0521046960	ASSY MOVEL SUPPORT	3	01
03	0521046961	HIGH FRONTAL PROTECTOR - PD VTR A750/85/950	4	01
04	0511047750	2400 SCRAPER ASSY WITH STABILIZER BRACKET	5	01
05	0521022960	BOX WITH COMPONENTS	7	01



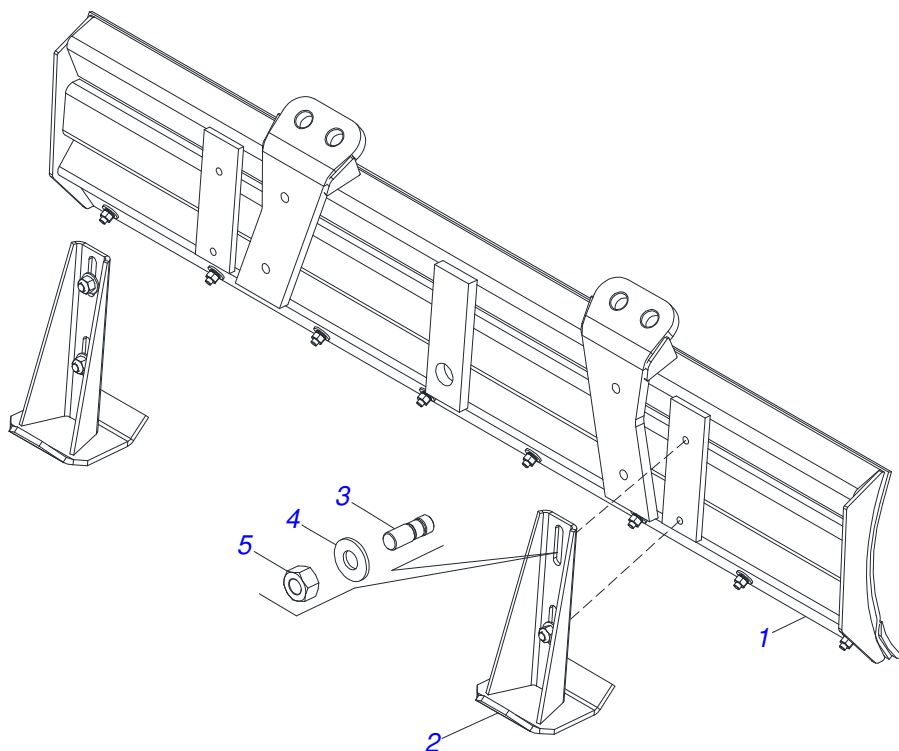
Item	Code	Description	See page	QT
01	0521067466	RIGHT FRAME		01
02	0521067465	LEFT FRAME		01
03	0571019093	REAR COUPLING BAR		02
04	0501010500	3/4"X3"BOLT		08
05	0503010023	3/4" SPRING WASHER		08
06	0503010014	3/4" NUT		08



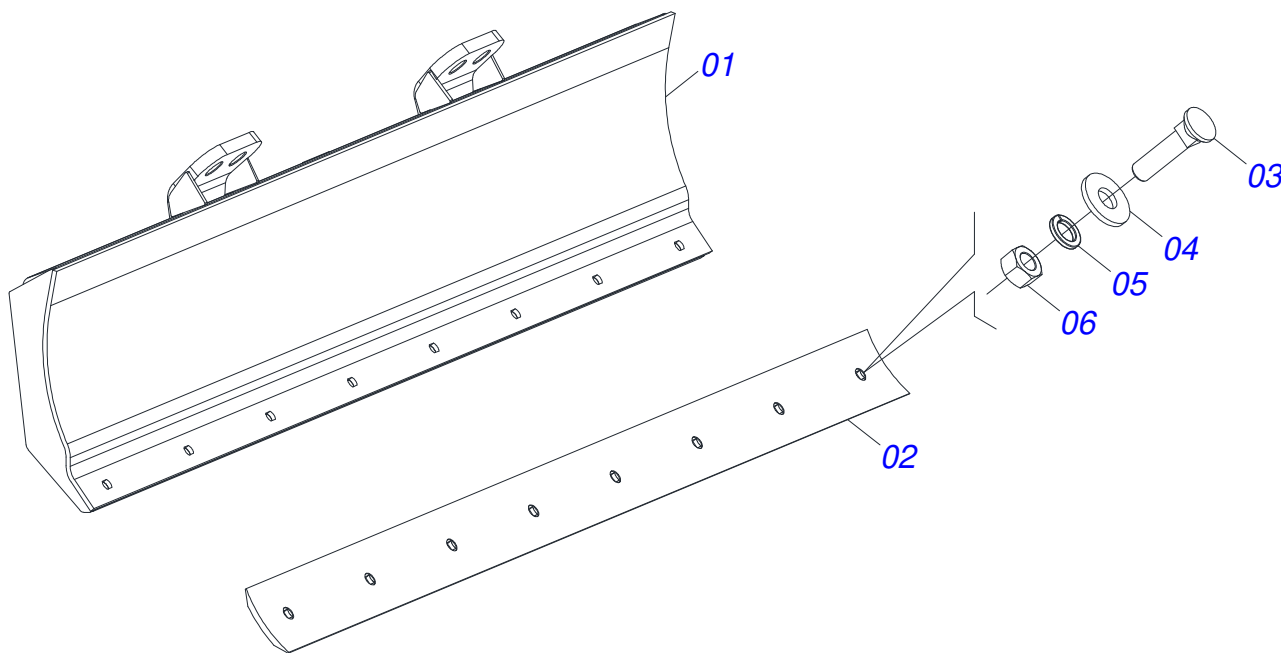
Item	Code	Description	See page	QT
01	0521067528	MOBILE SUPPORT		01
02	0501063368	REGULATOR SUPPORT		01
03	0521010618	1.4" X 8.6" COUPLING SHAFT		01
04	0521010612	1.4" X 3.5" COUPLING SHAFT		01
05	0503010010	1/4" X 2.1/2" COTTERPIN		02
06	0503034003	SERIAL NUMBER TAG 61 X 118		01
07	0503010001	3.2 X 5.5 RIVET		04
08	0503031428	READ MANUAL DECAL		01
09	0503031827	LUBRICATE AND RETIGHTEN DAILY DECAL		01
10	0503062270	SET LABEL ADHESIVE		01
11	0503034078	LIFTING POINTS DECAL		03
12	0503031087	ADHESIVE LABEL		01



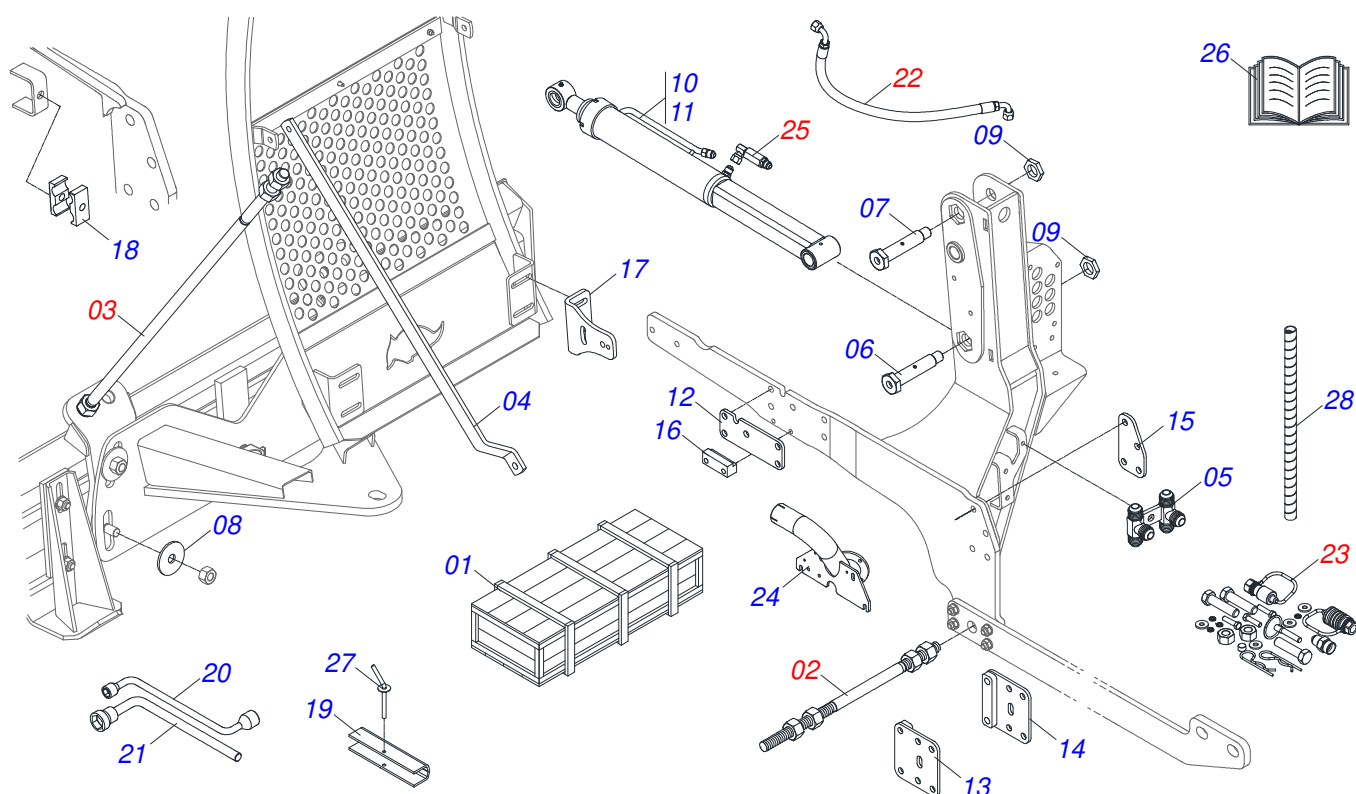
Item	Code	Description	See page	QT
01	0501014686	FRONT PROTECTION	01	
02	0503010751	C3/8" X 1.1/4" HEX BOLT G.5	03	
03	0501010984	FLAT WASHER	03	
04	0503010026	3/8" NUT	03	
05	0521064583	MOBILE SUPPORT GUIDE	01	



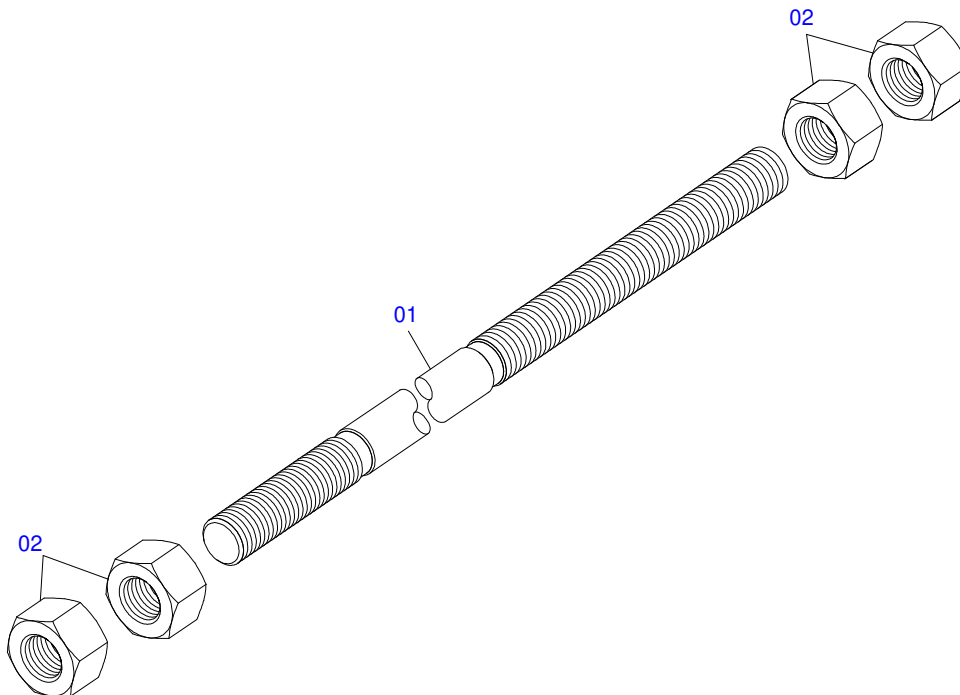
Item	Code	Description	See page	QT
01	0501047708	2400 BLADE SUPPORT	6	01
02	0501063411	ESTABILIZER BRACKET		02
03	0561016756	3/4 UNC X 3/4 UNC X 56 PRISONER		04
04	0501010322	FLAT WASHER		04
05	0503010014	3/4" NUT		04



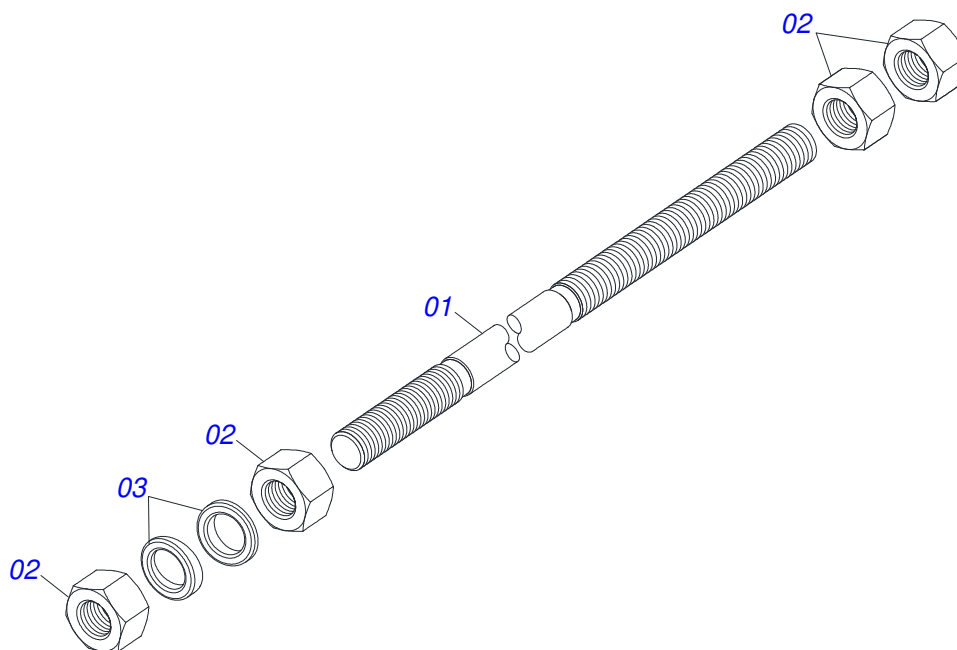
Item	Code	Description	See page	QT
01	0501067999	2390 BLADE SUPPORT		01
02	0622360016	94.5" SCRAPER REVERSIBLE		01
03	0501012240	BOLT		08
04	0501012140	FLAT WASHER		08
05	0503011445	SPRING WASHER		08
06	0503010013	5/8" NUT		08



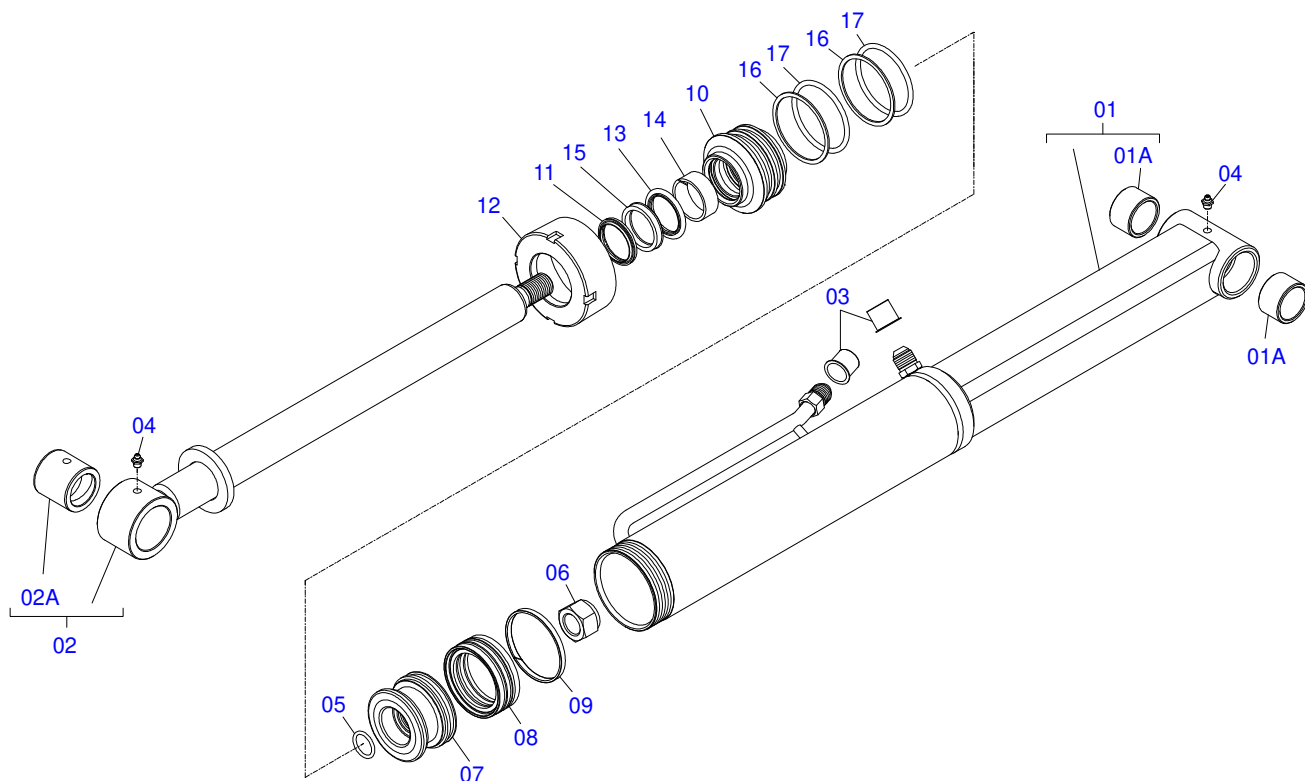
Item	Code	Description	See page	QT
01	0501100416	WOODEN BOX		01
02	0501044434	1" NC X 700 ROD W/NUTS	8	01
03	0501041427	1.1/4" NC X 1540 ASSY ROD	9	02
04	0581013368	FRONT GUARD BRACKET BAR		02
05	0521064869	7/8UNF JIC OIL DISTRIBUTOR		01
06	0581013410	1.1/4" UNF X 155 BOLT		04
07	0581013378	GREASE SCREW		02
08	0501010574	FLAT WASHER		04
09	0581010243	WASHER HEX		06
10	0521050157	44,45 X 85,72 X 1049 X 360 - RIGHT HYDRAULIC CYLINDER		01
11	0521050158	44,45 X 85,72 X 1049 X 360 - LEFT HYDRAULIC CYLINDER		01
12	0571017227	CHASSIS SHIM		02
13	0521067359	LEFT FRAME LOCK		01
14	0521067351	RIGHT FRAME LOCK		01
15	0581013406	CENTRAL OUTER SHIM		02
16	0581013402	BEATER		02
17	0571010158	FIXER GUIDE MOBILE SUPPORT		02
18	0502010477	HOSE CLAMP		05
19	0531017238	LOCK TRANSPORT		02
20	0501068213	5/8" WRENCH DOUBLE		01
21	0501061617	1" GANG BOLT WRENCH		01
22	0521050378	HOSE KIT	12	01
23	0511032502	PACKED PARTS	13	01
24	0521067469	EXHAUST ADAPTER		01
25	0511057771	R.7/8UNF - SAFETY VALVE	16	02
26	0511033668	BAG WITH INSTRUCTION MANUAL		01
27	0501068994	8,30 X 78 LOCK PIN		02
28	0581010090	SPRING PROTECTION PLASTIC HOSE		02



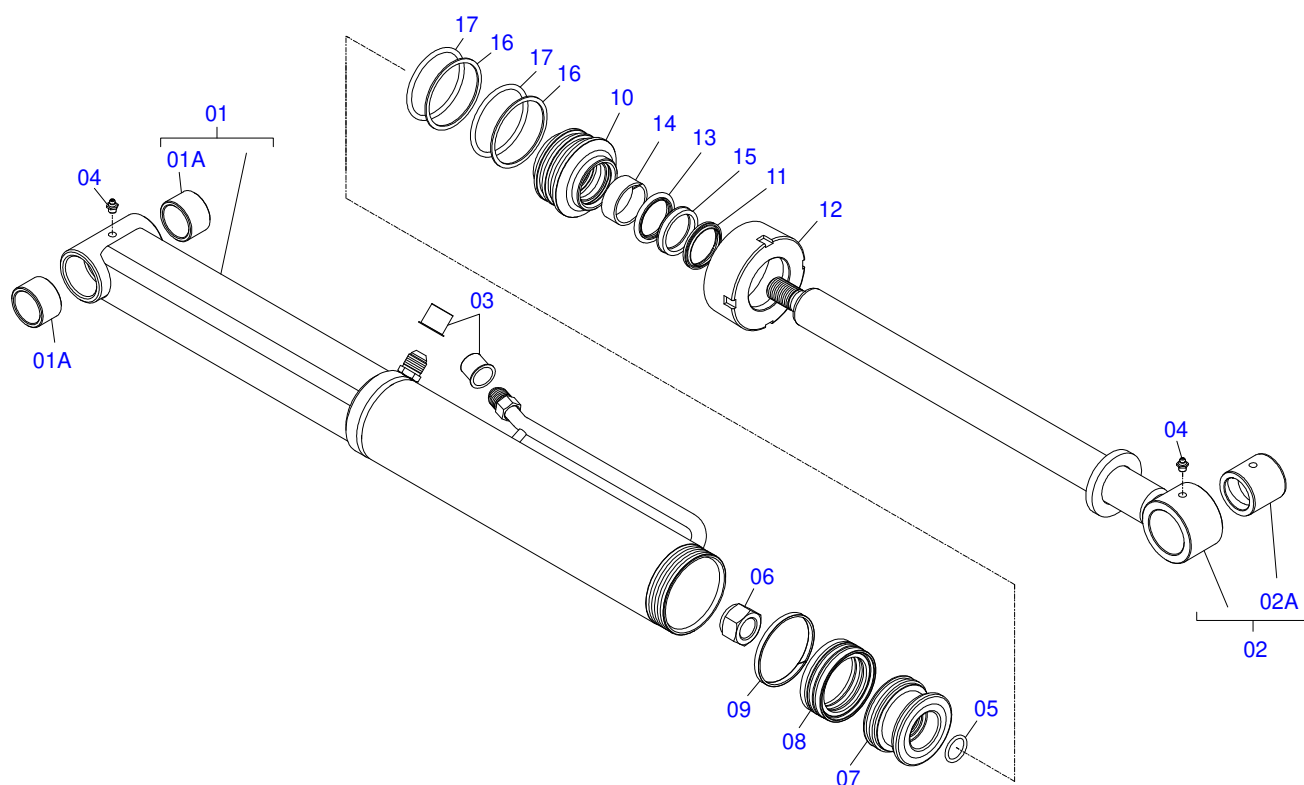
Item	Code	Description	See page	QT
01	0501014753	1" NC X 700 ROD		01
02	0501010087	1.1/4" NUT		04



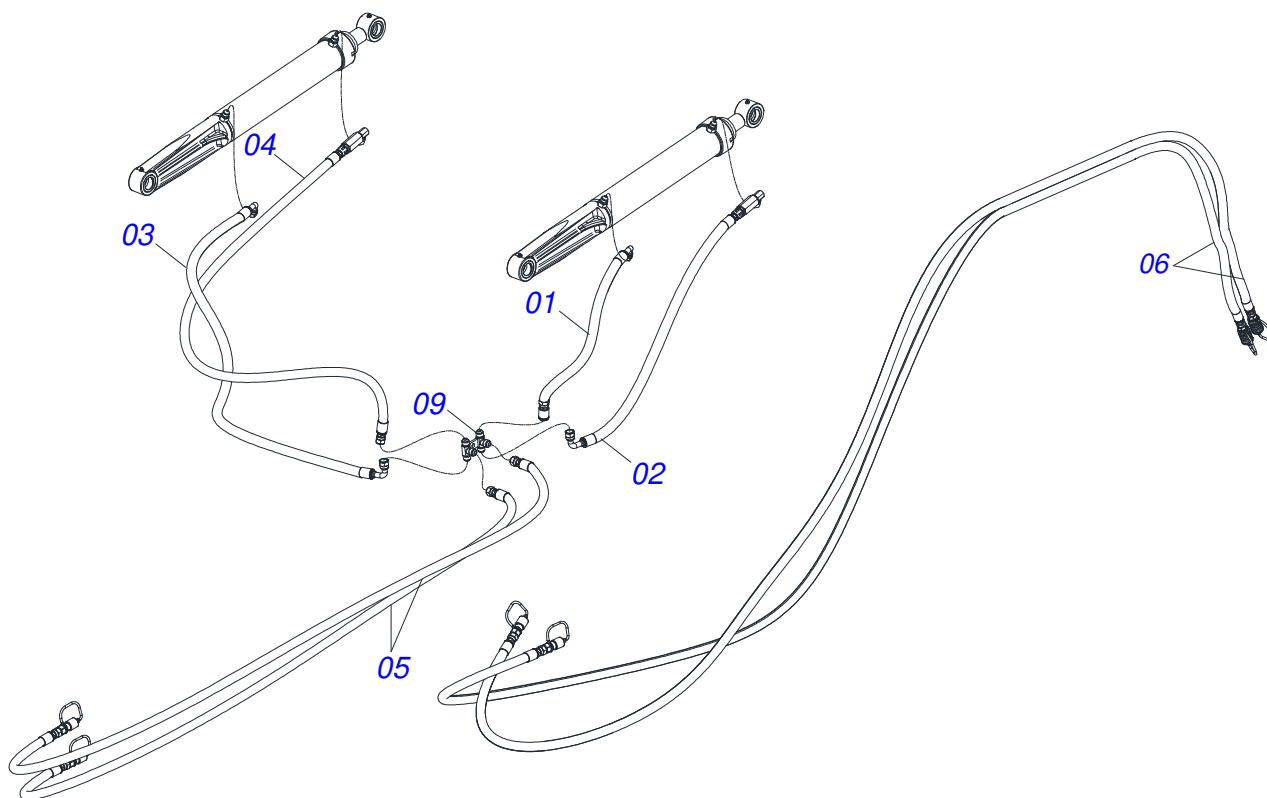
Item	Code	Description	See page	QT
01	0501014250	1.1/4" X 1540 ROD		01
02	0501010087	1.1/4" NUT		04
03	0502012180	CONICAL SPRING WASHER		02



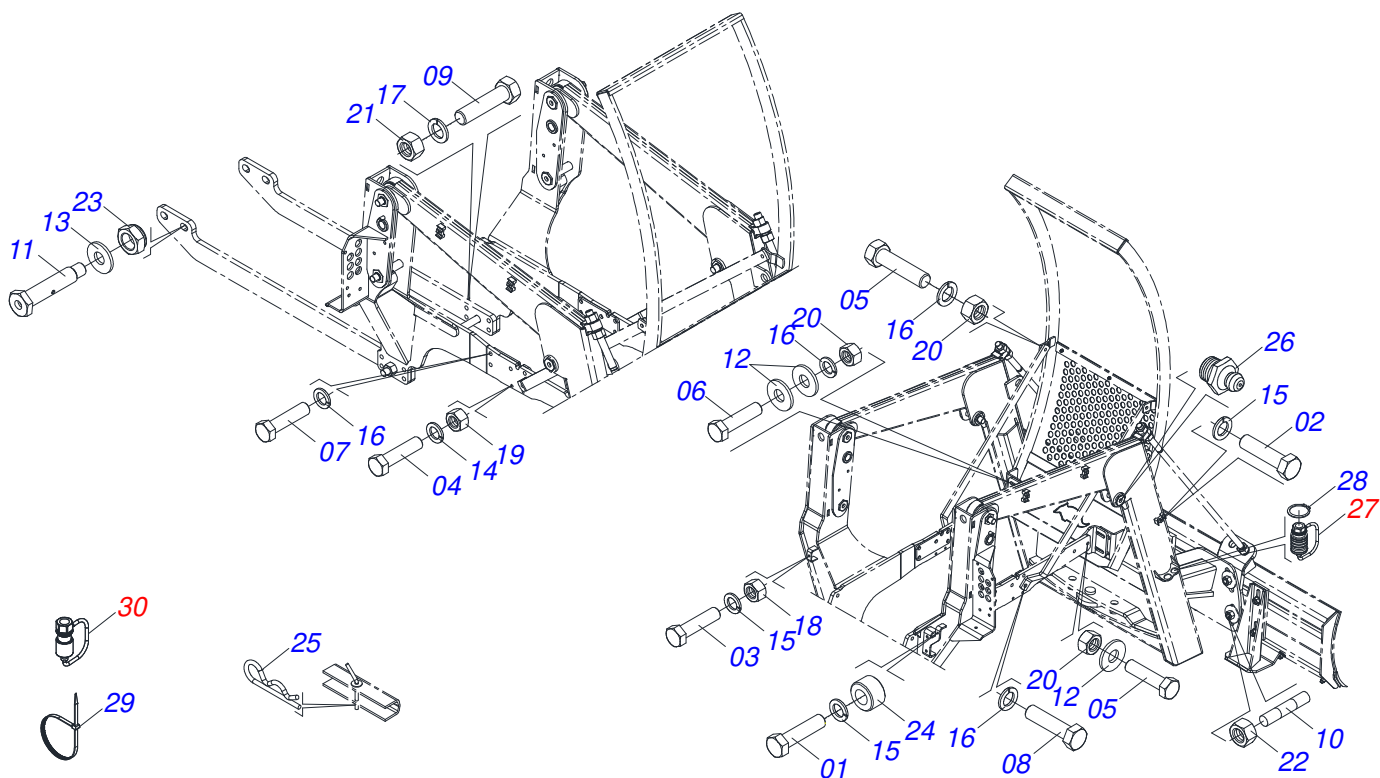
Item	Code	Description	See page	QT
01	0521067430	CYLINDER BODY		01
01A	0541014740	SLEEVE		02
02	0521067431	44,45 X 590 EXTENDER - PD VTR A750		01
02A	0521010514	38,1 X 52,9 X 50 SLEEVE INTER		01
03	0503030387	PLUG		02
04	0503010002	1800 GREASE FITTING		02
05	0503010042	2-214 N 3006-9B O'RING		01
06	0503010063	1" SELF-ALIGNING NUT		01
07	0571019710	1.7" X 3.4" PISTON		01
08	0503017935	RING		01
09	0503018144	RING		01
10	0571019711	RING SUPPORT		01
11	0503010761	D-1750 SCRAPER RING		01
12	0571019709	DETACHABLE COVER		01
13	0503017936	RING		01
14	0503017938	RING GUIDE		01
15	0503017937	GASKET		01
16	0503017940	8-337 BACK-UP RING		02
17	0503017939	2-337 N 3006-9B O' RING		02



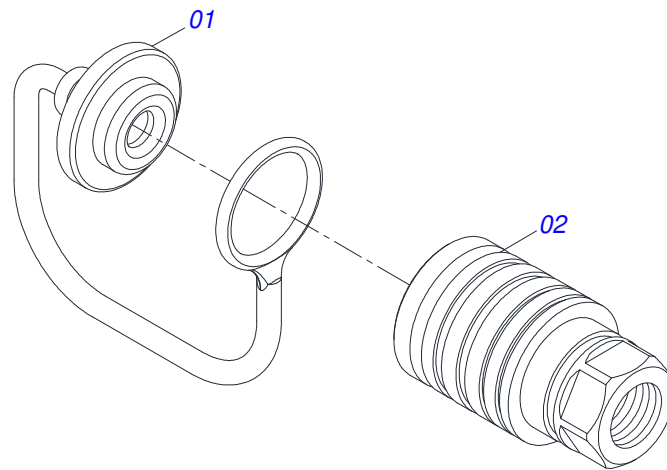
Item	Code	Description	See page	QT
01	0521067429	85,72 X 468 7/8 LEFT CYLINDER BODY - PD VTR A750		01
01A	0541014740	SLEEVE		02
02	0521067431	44,45 X 590 EXTENDER - PD VTR A750		01
02A	0521010514	38,1 X 52,9 X 50 SLEEVE INTER		01
03	0503030387	PLUG		02
04	0503010002	1800 GREASE FITTING		02
05	0503010042	2-214 N 3006-9B O'RING		01
06	0503010063	1" SELF-ALIGNING NUT		01
07	0571019710	1.7" X 3.4" PISTON		01
08	0503017935	RING		01
09	0503018144	RING		01
10	0571019711	RING SUPPORT		01
11	0503010761	D-1750 SCRAPER RING		01
12	0571019709	DETACHABLE COVER		01
13	0503017936	RING		01
14	0503017938	RING GUIDE		01
15	0503017937	GASKET		01
16	0503017940	8-337 BACK-UP RING		02
17	0503017939	2-337 N 3006-9B O' RING		02



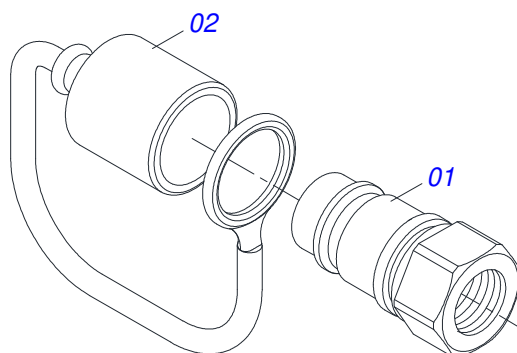
Item	Code	Description	See page	QT
01	0501081638	1/2 X 1050 TC-TR HOSE		01
02	0501080093	1/2 X 1300 HOSE TR-TC		01
03	0501080307	1/2" X 2150 TR-TR HOSE		01
04	0501080101	1/2 X 2400 TR-TR HOSE		01
05	0501080075	1/2 X 2400 TR-TM HOSE ASSY		02
06	0501080291	1/2" X 208" TR-TM HOSE ASSY		02



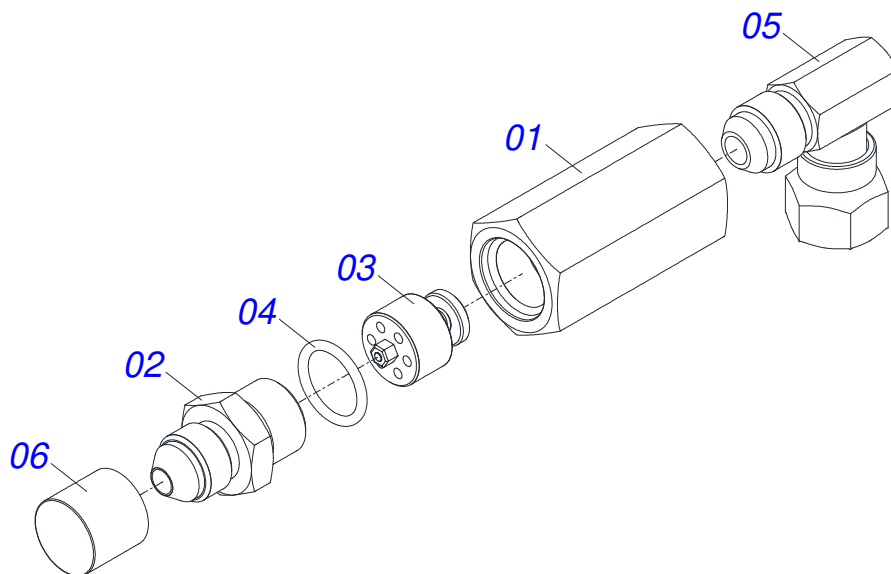
Item	Code	Description	See page	QT
01	0503011102	BOLT 7/16 UNC X 1.1/4 C S G.5 ZN		01
02	0503011135	BOLT		03
03	0503011173	7/16" X 2" BOLT		01
04	0503010479	BOLT		04
05	0501010100	SCREW 5/8 UNC X 2 CS G.5 ZN		06
06	0503010899	5/8" X 2-1/4" BOLT		04
07	0503011730	M16 X 2 X 60 BOLT		18
08	0503012693	M16 X 2 X 75 BOLT		02
09	0501010500	3/4"X3"BOLT		08
10	0561016755	PRISONER 1 UNC X 1 UNC X 76 ZN		04
11	0571019101	1.1/4 UNF X 110 BOLT		02
12	0501012140	FLAT WASHER		10
13	0521011132	FLAT WASHER		02
14	0503010019	1/2" SPRING WASHER		04
15	0503010180	7/16" SPRING WASHER		05
16	0503010027	5/8" SPRING WASHER		30
17	0503010023	3/4" SPRING WASHER		08
18	0503010244	7/16" NUT		02
19	0503010060	1/2" NUT		04
20	0503010013	5/8" NUT		08
21	0503010014	3/4" NUT		08
22	0501010059	1.5/8 NUT		04
23	0503010044	1-1/4" SELF LOCKING NUT		08
24	0521012999	13,20 X 25 X 15 AST/MATIC 550 GLOVE		01
25	0503030168	HITCH PIN CLIP		02
26	0503010002	1800 GREASE FITTING		06
27	0501053835	FEMALE QUICK COUPLER	14	02
28	0503010217	501040 CLAMPING RING (FOR AXLE)		04
29	0503013527	CLAMP ZIPER		10
30	0501053834	MALE QUICK COUPLER	15	04



Item	Code	Description	See page	QT
01	0503011883	QUICK CONNECTION COVER		01
02	0503011628	FEMALE QUICK COUPLER		01



Item	Code	Description	See page	QT
01	0503011627	MALE QUICK COUPLER AGR 1/2 NPT		01
02	0503011882	MALE QUICK COUPLER CAP		01



Item	Code	Description	See page	QT
01	0503018033	37 X R.7/8 UNF 90° JIC MALE CONNECTOR WITH ROTATING NUT		01
02	0581014053	1/2 BSP X 7/8 UNF JIC X 64 ADAPTER		01
03	0503016854	VALVE ASSY		01
04	0503010045	O'RING		01
05	0581014052	1/2 BSP X 7/8 UNF JIC X 43 NIPLE		01
06	0503030387	PLUG		01



MARCHESAN

Technical Publications | Elaboration and Revision
JOÃO VIRGINIO ROCHA

www.marchesan.com.br

