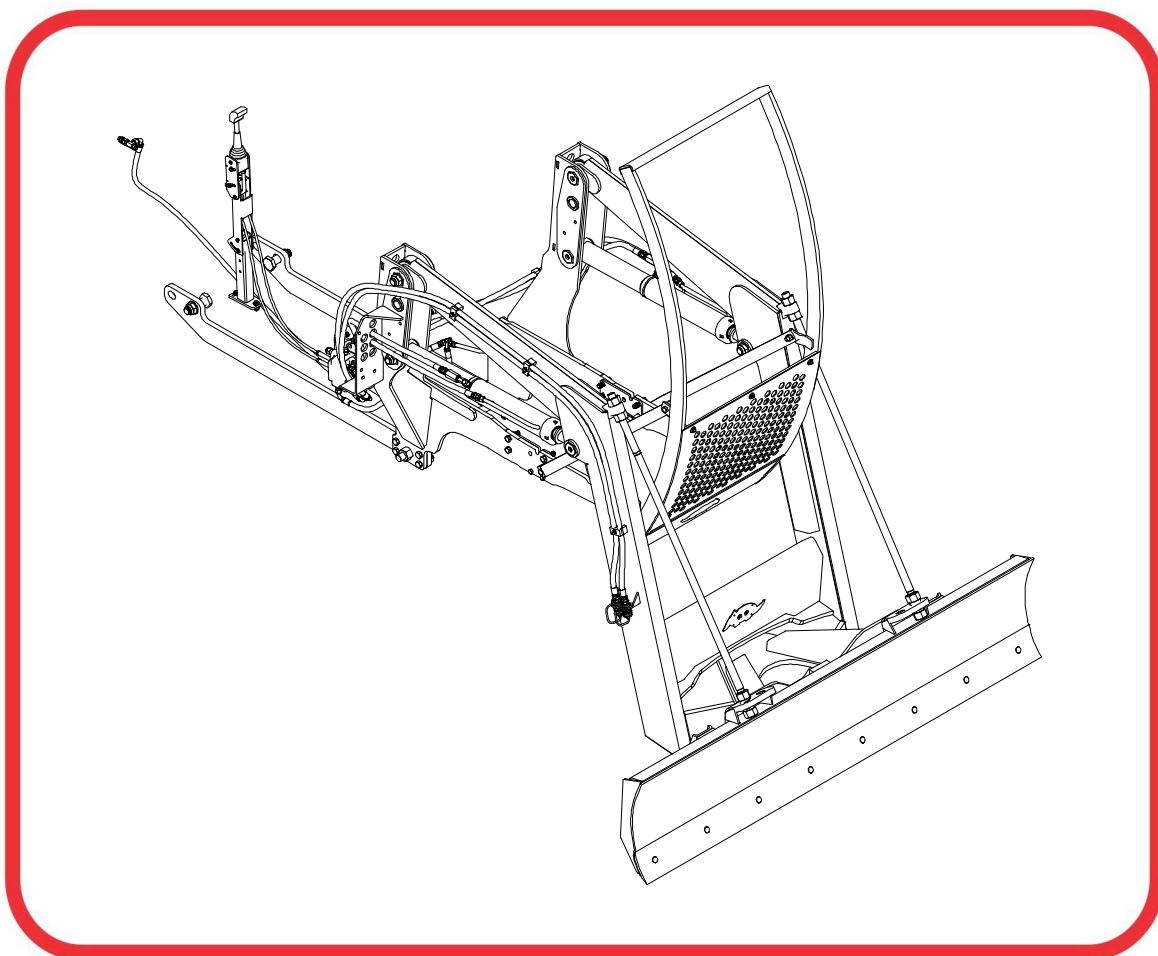


# PARTS CATALOG

## PD - FRONT LOADER

PD VTR A750/850/950 BT CD JS

Code: 0501092173



Series: S-0716

Review: FEVEREIRO/2018

ORIGINAL PARTS  
TATU



# PRODUCTS

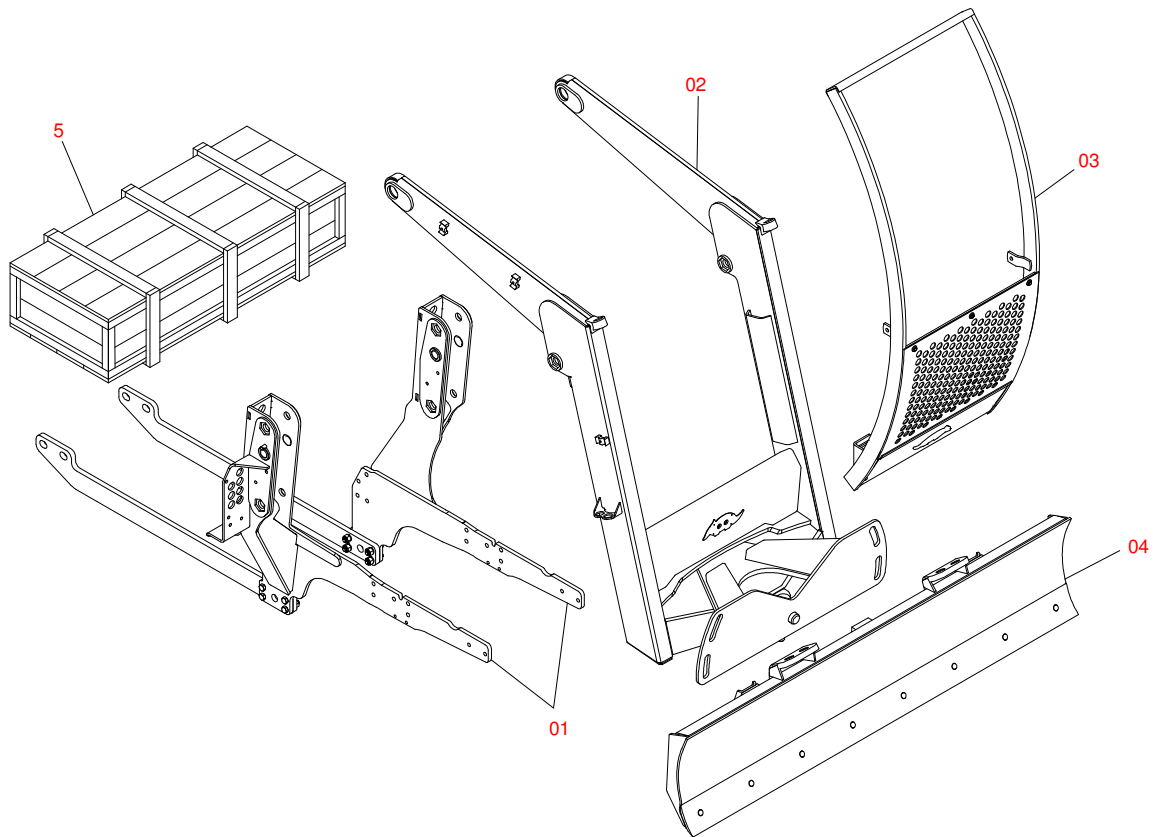
Code	Description
0106020440	PD VTR A750/850/950 BT CD JS

## ATTENTION: **IMPORTANT**

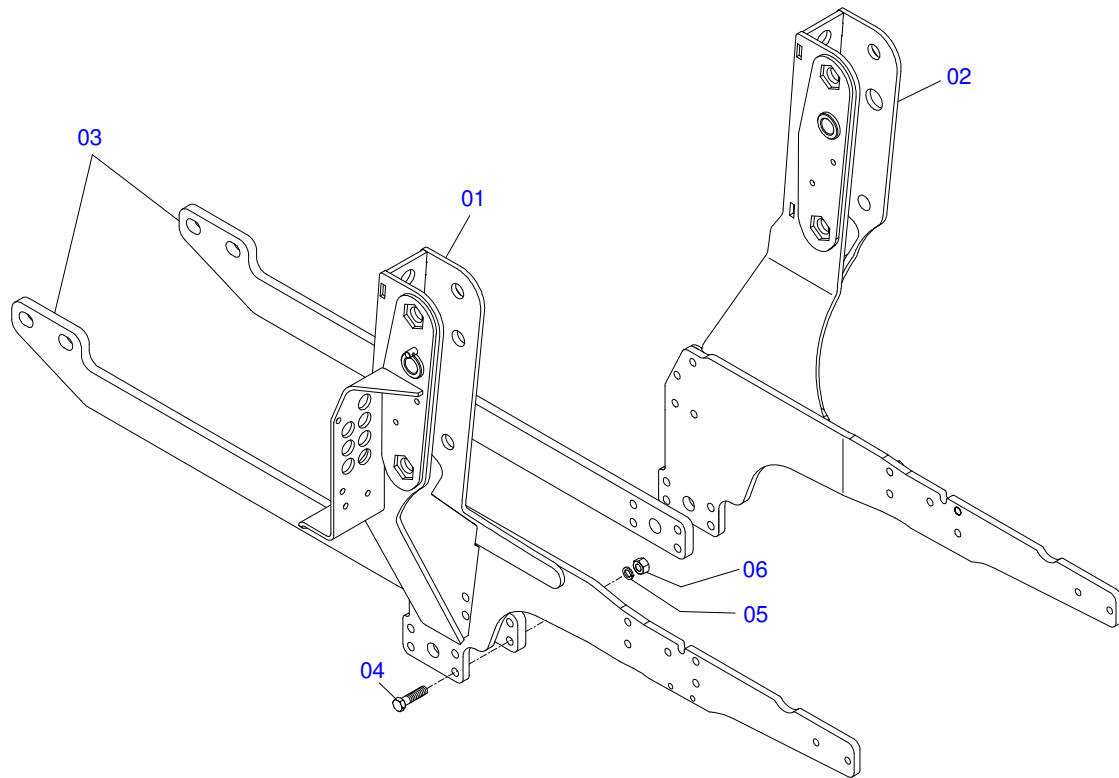
MARCHESAN S/A RESERVES THE RIGHT AT ANY TIME TO MAKE IMPROVEMENTS IN THE DESIGN, MATERIAL OR SPECIFICATIONS OF MACHINERY, EQUIPMENT OR PARTS WITHOUT THEREBY BECOMING LIABLE TO MAKE SIMILAR CHANGES IN MACHINERY, EQUIPMENT OR PARTS PREVIOUSLY SOLD.

# INDEX

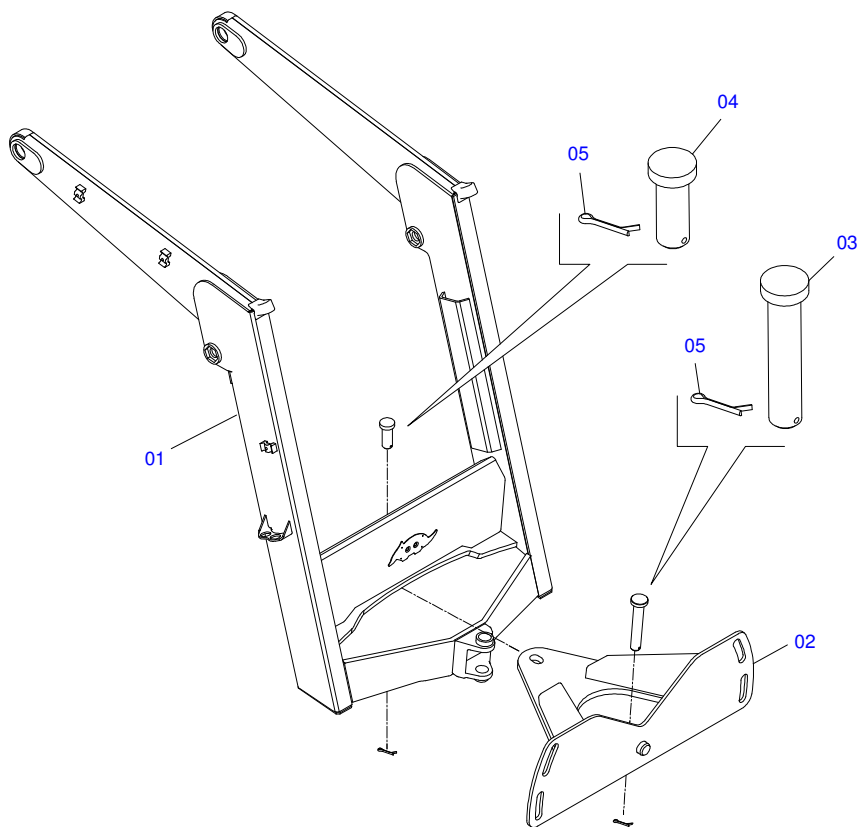
0106020440	PD VTR A750/850/950 BT CD JS	.....	1
0521046962	CHASSIS SET WITH REAR BAR - VTR A750/850/950	.....	2
0521046960	FULL MOVEL SUPPORT - PD VTR A750/85/950 S-1015	.....	3
0521046961	HIGH FRONTAL PROTECTOR - PD VTR A750/85/950	.....	4
0511047750	2400 SCRAPER COMPLETE WITH STABILIZER BRACKET	.....	5
0521022962	BOX WITH COMPONENTS - PD VTR A750/850/950 BT CD JS SL	.....	6
0521045393	SET SUPPORT JOY STICK	.....	7
0521046968	COMPLETE MONOBLOC COMMAND - PD VTR A750	.....	8
0501044434	1" NC X 700 ROD W/NUTS	.....	9
0501041427	1.1/4" NC X 1540 ROD	.....	10
0521050157	44,45 X 85,72 X 1049 X 360 - RIGHT HYDRAULIC CYLINDER	.....	11
0521050158	44,45 X 85,72 X 1049 X 360 - LEFT HYDRAULIC CYLINDER	.....	12
0521050386	HOSE SET - PD VTR A750/850/950 BTCD JS	.....	13
0511057771	R.7/8UNF - SAFETY VALVE	.....	14
0511032503	PACKAGED PARTS - PD VTR A750/850/950 BT CD JS SL	.....	15
0501053835	FEMALE QUICK COUPLER	.....	16



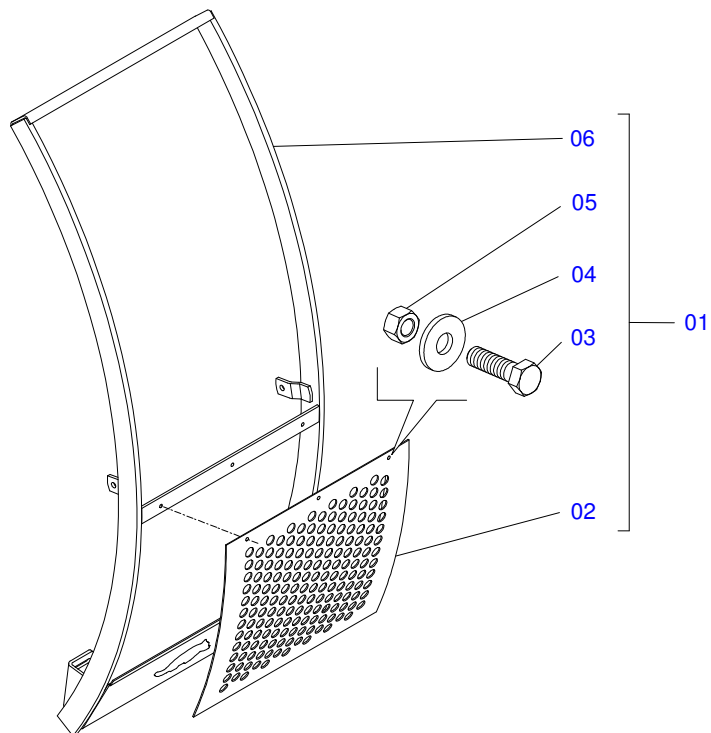
Item	Code	Description	QT
01	0521046962	CHASSIS SET WITH REAR BAR - VTR A750/850/950	01
02	0521046960	FULL MOVE SUPPORT - PD VTR A750/85/950	01
03	0521046961	HIGH FRONTAL PROTECTOR - PD VTR A750/85/950	01
04	0511047750	2400 SCRAPER COMPLETE WITH STABILIZER	01
05	0521022962	BOX WITH COMPONENTS - PD VTR A750/850/950	01



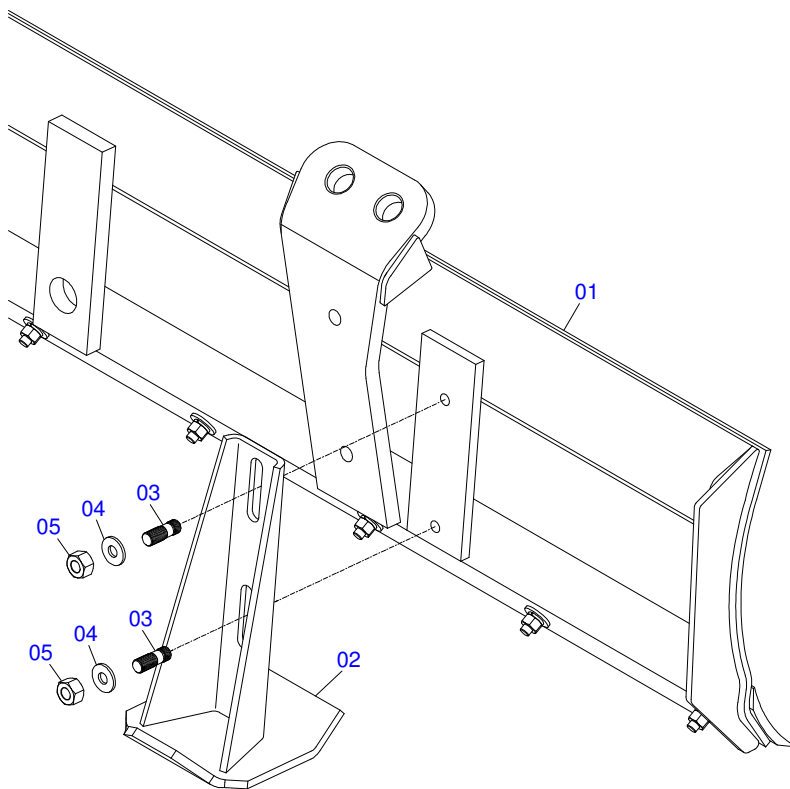
Item	Code	Description	QT
01	0521067466	RIGHT FRAME VTR A750 S1015	01
02	0521067465	LEFT FRAME VTR A750 S1015	01
03	0571019093	REAR COUPLING BAR PCA-T PLUS 1500 VTR	02
04	0501010500	3/4"X3"BOLT	08 - PCS EMB SAQ
05	0503010023	SPRING WASHER	08 - PCS EMB SAQ
06	0503010014	3/4" NUT	08 - PCS EMB SAQ



Item	Code	Description	QT
01	0521067528	MOBILE SUPPORT - PD VTR A750 S-1015	01
02	0501063368	REGULATOR SUPPORT	01
03	0521010618	1.4" X 8.6" COUPLING SHAFT	01
04	0521010612	1.4" X 3.5" COUPLING SHAFT	01
05	0503010010	1/4" X 2.1/2" COTTERPIN	02

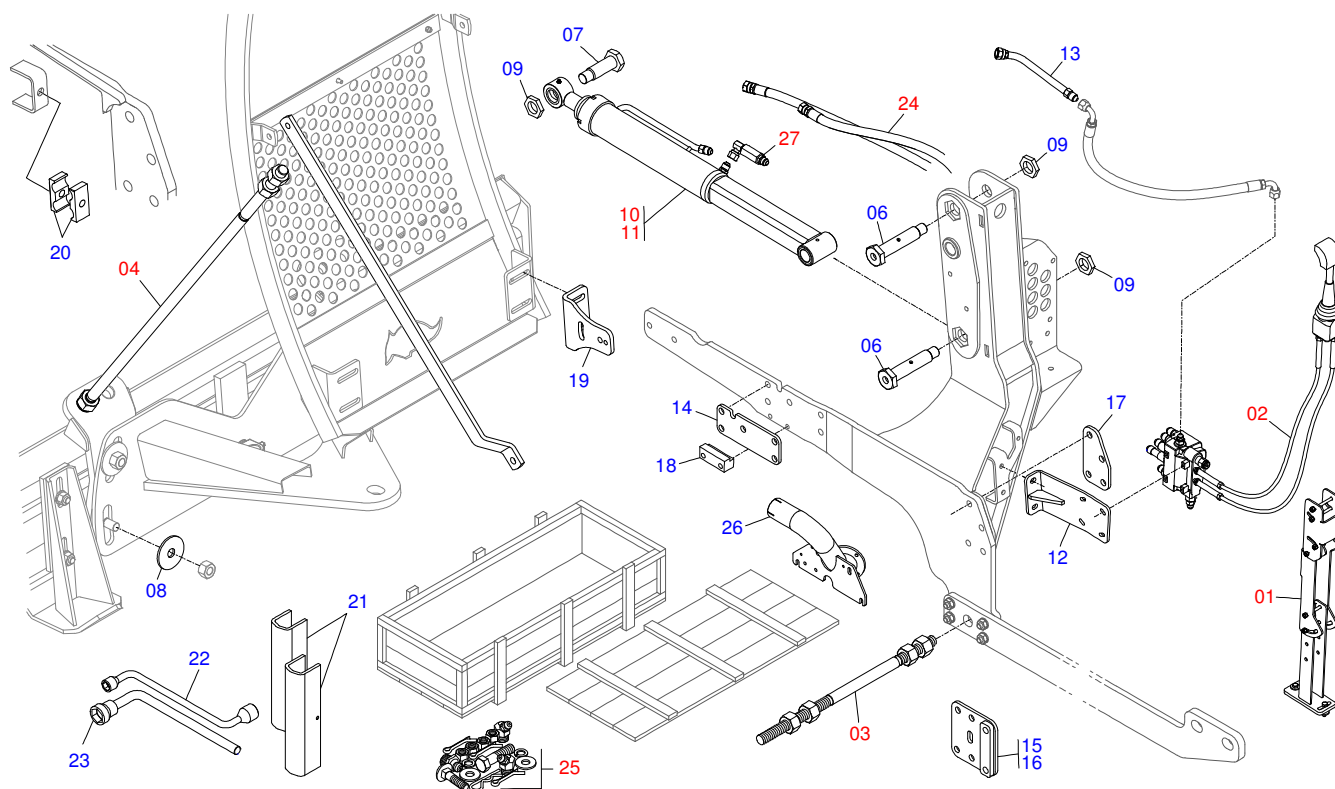


Item	Code	Description	QT
01	0521046961	HIGH FRONTAL PROTECTOR - PD VTR A750/85/950	01
02	0501014686	FRONT PROTECTION	01
03	0503010751	C3/8" X 1.1/4" HEX BOLT G.5	03
04	0501010984	FLAT WASHER	03
05	0503010026	3/8" NUT	03
06	0521064583	MOBILE SUPPORT GUIDE	01

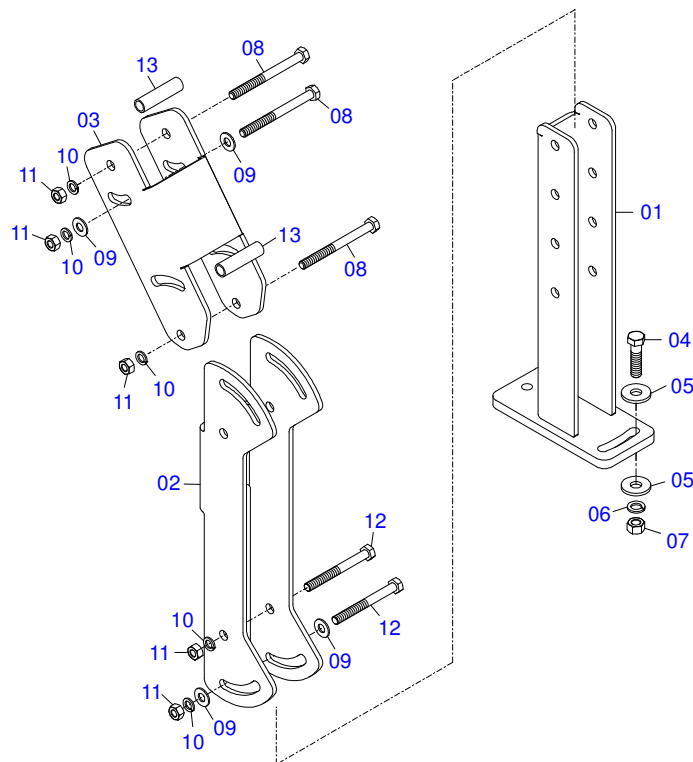


Item	Code	Description	QT
01	0501047708	2400 BLADE SUPPORT	01
02	0501063411	ESTABILIZER BRACKET	02
03	0561016756	3/4 UNC X 3/4 UNC X 56 PRISONER	04
04	0503010014	3/4" NUT	04
05	0501010322	FLAT WASHER	04

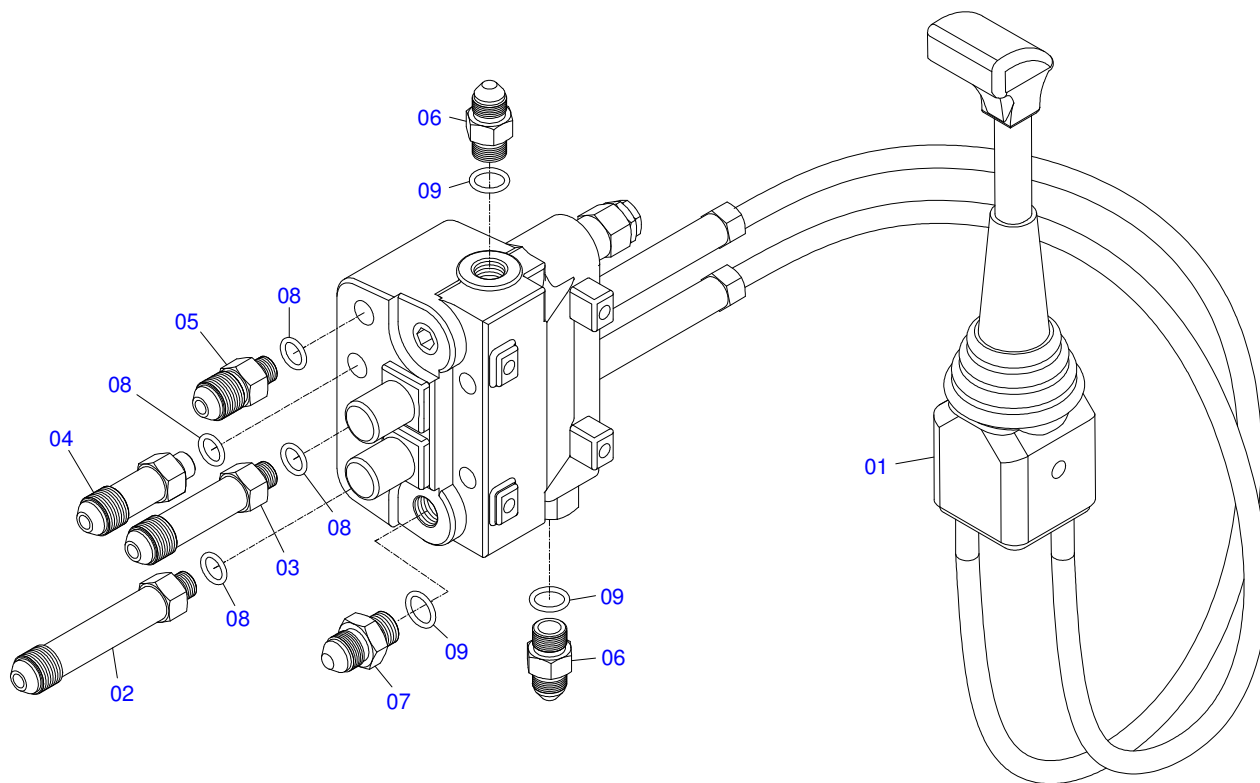




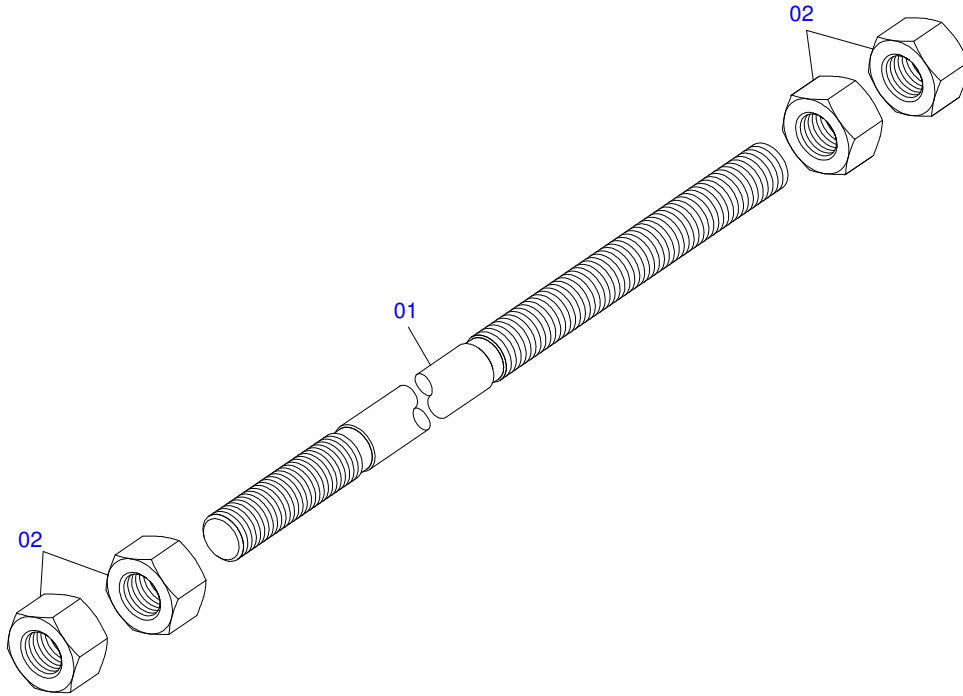
Item	Code	Description	QT
01	0521045393	SET SUPPORT JOY STICK	01
02	0521046968	COMPLETE MONOBLOC COMMAND - PD VTR A750	01
03	0501044434	1" NC X 700 ROD W/NUTS	01
04	0501041427	1.1/4" NC X 1540 ROD	02
05	0581013368	FRONT GUARD BRACKET BAR - PD VTR A750	02
06	0581013410	1.1/4" UNF X 155 BOLT PCA-T PLUS 1500	04
07	0581013378	GREASE SCREW - PD VTR A750	02
08	0501010574	FLAT WASHER	04
09	0581010243	WASHER HEX	06
10	0521050157	44,45 X 85,72 X 1049 X 360 - RIGHT HYDRAULIC	01
11	0521050158	44,45 X 85,72 X 1049 X 360 - LEFT HYDRAULIC	01
12	0581013396	COMMAND SUPPORT - VTR A750 S1015	01
13	0521067471	PRESSURE ADAPTER VTR A850 S1015	01
14	0571017227	CHASSIS SHIM - PCA VTR A750/850/950	02
15	0521067359	LEFT FRAME LOCK PCA-T PLUS 1500 VTR A950	01
16	0521067351	RIGHT FRAME LOCK PCA-T PLUS 1500 VTR A750	01
17	0581013406	CENTRAL OUTER SHIM - VTR A750/850	02
18	0581013402	BEATER VTR A750/850/950	02
19	0571010158	FIXER GUIDE MOBILE SUPPORT	02
20	0502010477	UPPER CLIP	05
21	0531017238	LOCK TRANSPORT 357 GAPCW 45	02
22	0501068213	5/8" WRENCH DOUBLE	01
23	0501061617	1" GANG BOLT WRENCH	01
24	0521050386	HOSE SET - PD VTR A750/850/950 BTCD JS	01
25	0511032503	PACKAGED PARTS - PD VTR A750/850/950 BT CD	01
26	0521067469	EXHAUST ADAPTER	01
27	0511057771	R.7/8UNF - SAFETY VALVE	02



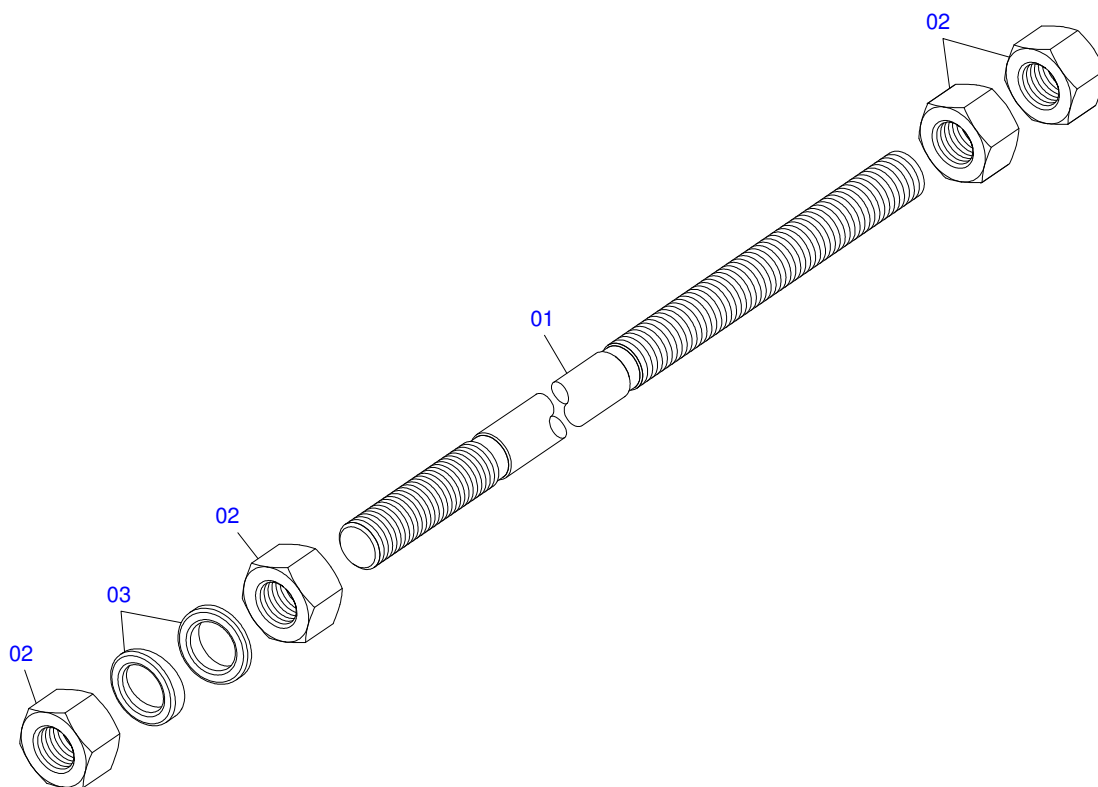
Item	Code	Description	QT
01	0521065789	LOWER JOYSTICK SUPPORT PCA	01
02	0571018376	CENTRAL BODY SUPPLEMENT OF JOYSTICK PCA	01
03	0571018375	SUPERIOR BODY SUPPLEMENT OF JOYSTICK	01
04	0503010849	3/8" X 1-1/2" BOLT	02
05	0501010984	FLAT WASHER	02
06	0503010025	3/8 SPRING WASHER	02
07	0503010026	3/8" NUT	02
08	0503010848	5/16" X 3.1/2" BOLT	04
09	0501010694	FLAT WASHER	06
10	0503010179	SPRING WASHER	06
11	0503010337	5/16" NUT	06
12	0503011053	5/16" X 3" C S 6.5 ZN BOLT	02
13	0541015551	0.39" X 0.512" X 1.9" SLEEVE	02



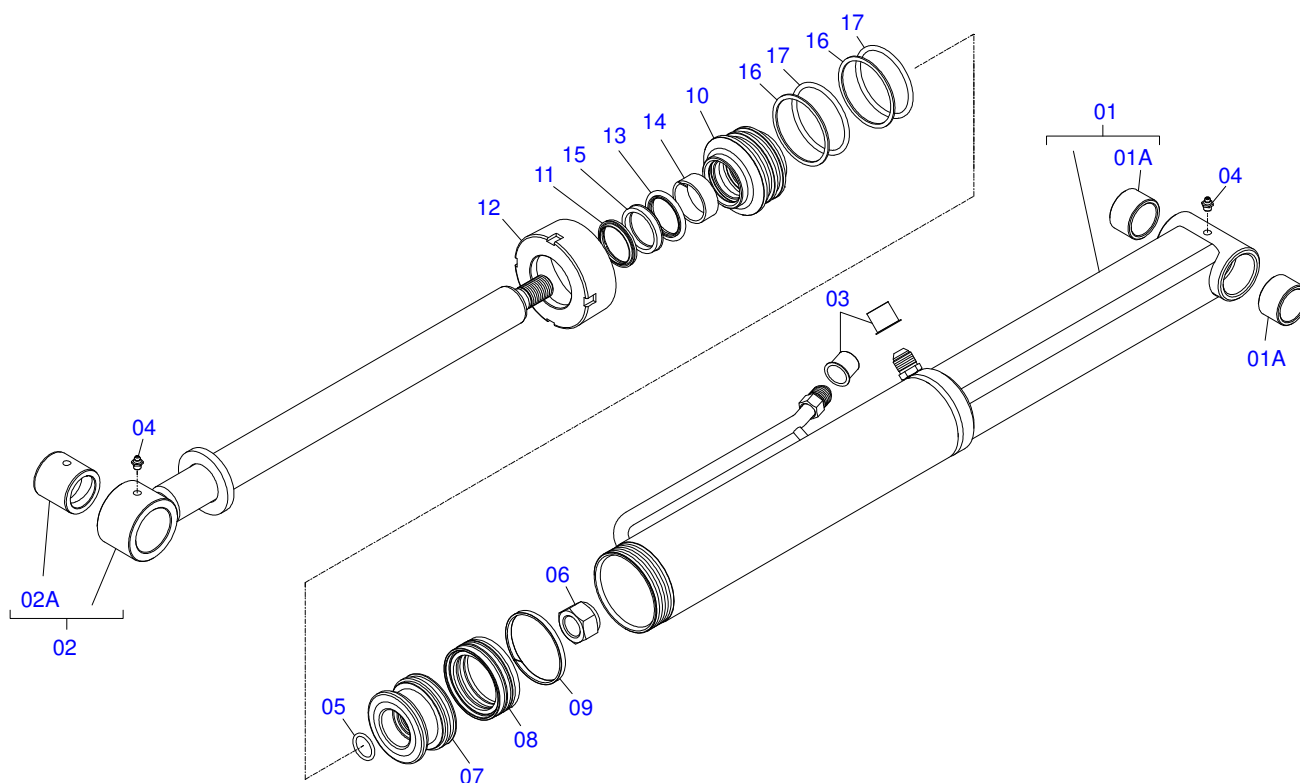
Item	Code	Description	QT
01	0503062376	SDM102/2 MONOBLOC COMMAND WITH CABLE	01
02	0581013382	R.7/8 X 9/16 X 125 (SEXT 22,23) NIPPLE	01
03	0581013381	R.7/8 X 9/16 X 100 (SEXT 22,23) NIPPLE	01
04	0581013380	R.7/8 X 9/16 X 75 (SEXT 22,23) NIPPLE	01
05	0581013379	R.7/8 X 9/16 X 50 (SEXT 22,23) NIPPLE	01
06	0501010617	3/4" NIPPLE	02
07	0501011460	7/8 NF REDUCTION NIPPLE	01
08	0503013161	2-013 N 3006-9B O'RING	04
09	0503012905	2113 O'RING	03



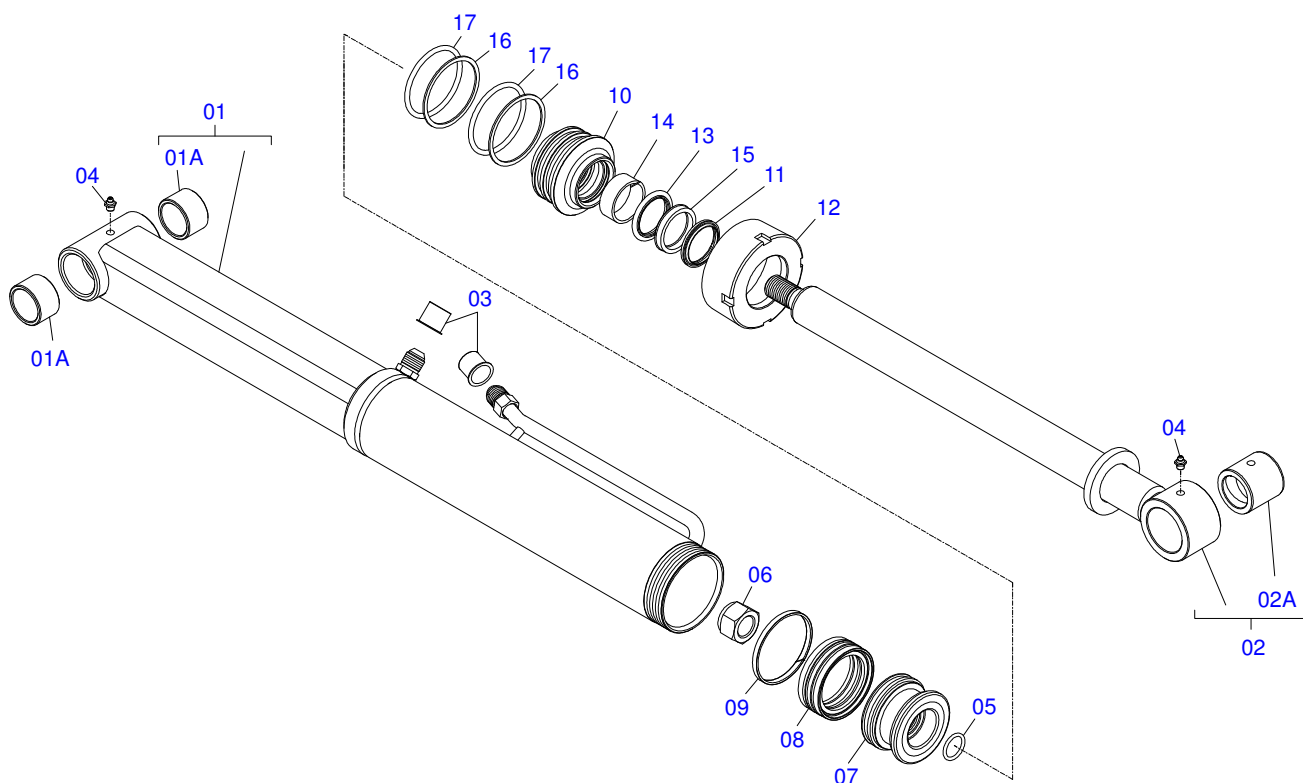
Item	Code	Description	QT
01	0501014753	1" NC X 700 ROD	01
02	0501010087	1.1/4" NUT	04



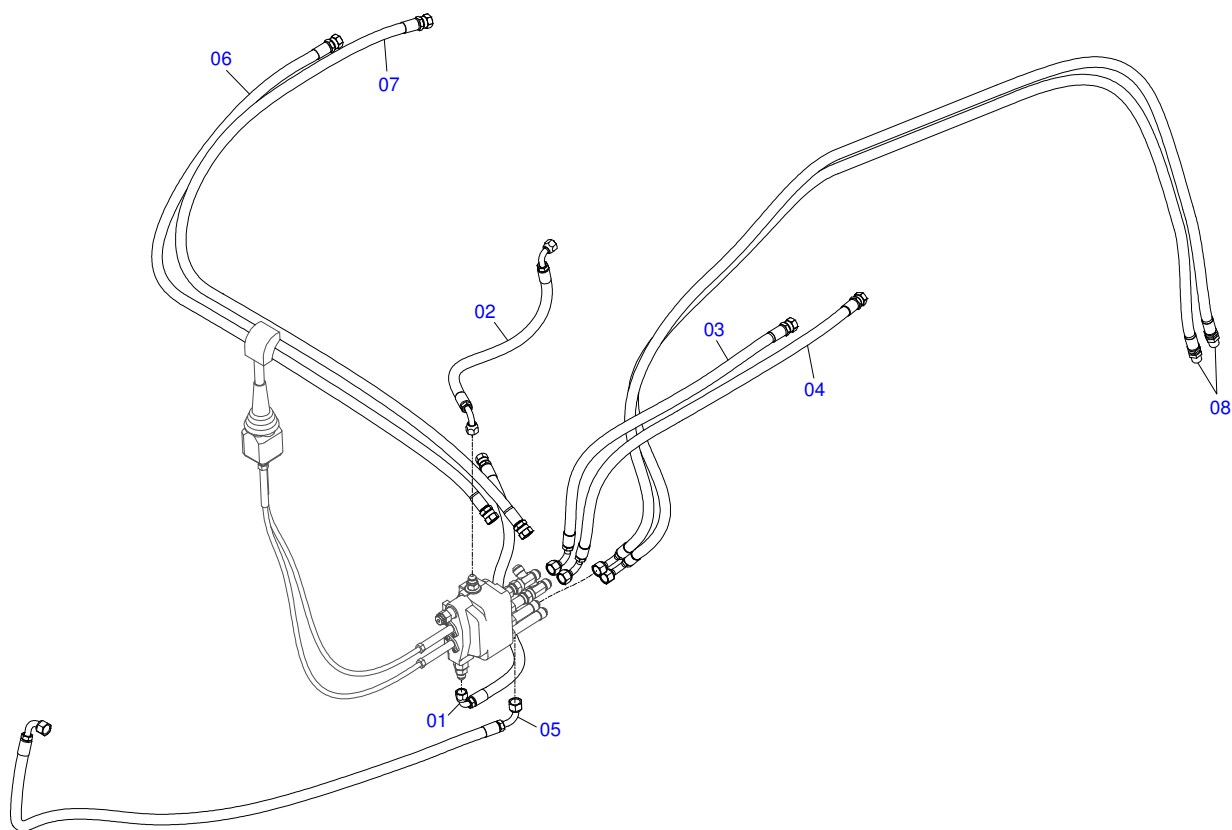
Item	Code	Description	QT
01	0501014250	1.1/4" X 1540 ROD	01
02	0501010087	1.1/4" NUT	04
03	0502012180	CONICAL SPRING WASHER	02



Item	Code	Description	QT
01	0521067430	CYLINDER BODY	01
01A	0541014740	SLEEVE	02
02	0521067431	44,45 X 590 EXTENDER - PD VTR A750	01
02A	0521010514	38,1 X 52,9 X 50 SLEEVE INTER	01
03	0503030387	PLUG	02
04	0503010002	1800 GREASE FITTING	02
05	0503010042	2-214 N 3006-9B O'RING	01
06	0503010063	1" SELF-ALIGNING NUT	01
07	0571019710	1.7" X 3.4" PISTON	01
08	0503017935	RING	01
09	0503018144	RING	01
10	0571019711	RING SUPPORT	01
11	0503010761	D-1750 SCRAPER RING	01
12	0571019709	DETACHABLE COVER	01
13	0503017936	RING	01
14	0503017938	RING GUIDE	01
15	0503017937	GASKET	01
16	0503017940	8-337 BACK-UP RING	02
17	0503017939	2-337 N 3006-9B O' RING	02

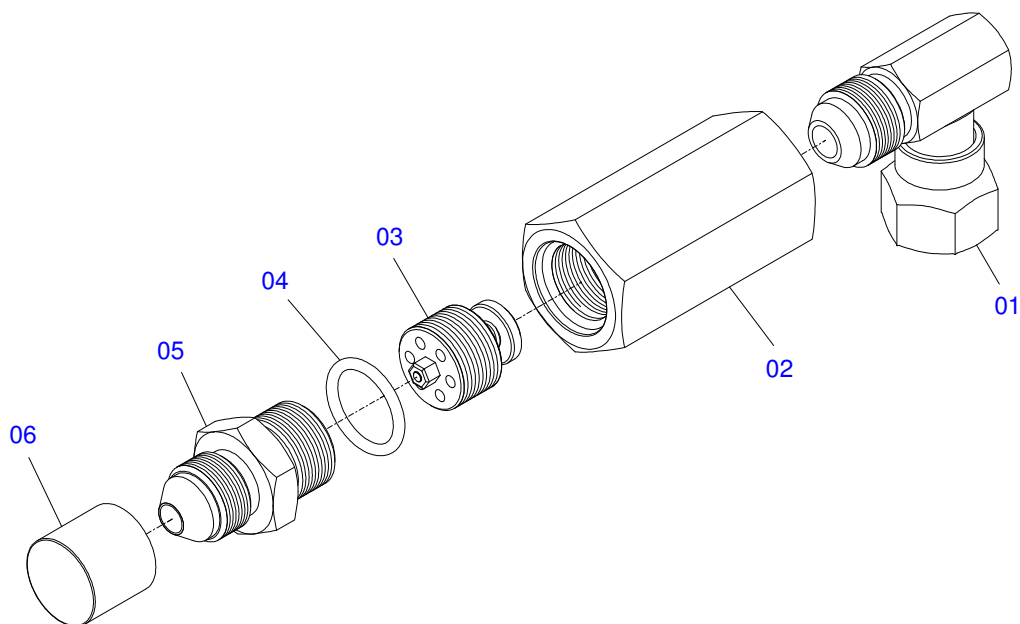


Item	Code	Description	QT
01	0521067429	85,72 X 468 7/8 LEFT CYLINDER BODY - PD VTR	01
01A	0541014740	SLEEVE	02
02	0521067431	44,45 X 590 EXTENDER - PD VTR A750	01
02A	0521010514	38,1 X 52,9 X 50 SLEEVE INTER	01
03	0503030387	PLUG	02
04	0503010002	1800 GREASE FITTING	02
05	0503010042	2-214 N 3006-9B O'RING	01
06	0503010063	1" SELF-ALIGNING NUT	01
07	0571019710	1.7" X 3.4" PISTON	01
08	0503017935	RING	01
09	0503018144	RING	01
10	0571019711	RING SUPPORT	01
11	0503010761	D-1750 SCRAPER RING	01
12	0571019709	DETACHABLE COVER	01
13	0503017936	RING	01
14	0503017938	RING GUIDE	01
15	0503017937	GASKET	01
16	0503017940	8-337 BACK-UP RING	02
17	0503017939	2-337 N 3006-9B O' RING	02

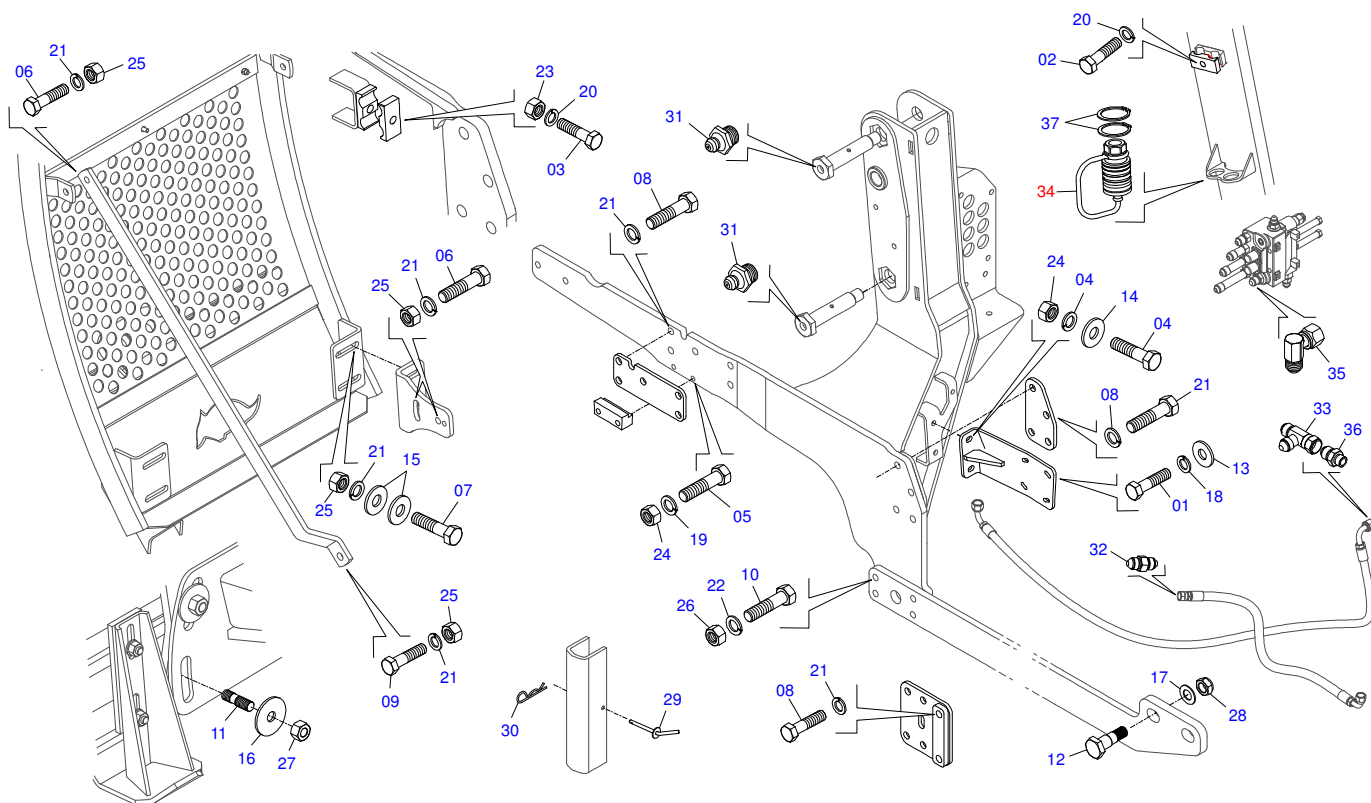


Item	Code	Description	QT
01	0503033158	PLASTIC BAG	01
02	0501082041	3/8 X 500 TR-TC HOSE	01
03	0501082058	HOSE 3/8 X 800 TC-TC	01
04	0501081638	1/2 X 1050 TC-TR HOSE	01
05	0501080093	1/2 X 1300 HOSE TR-TC	01
06	0501080686	1/2 X 2100 TC-TC HOSE	01
07	0501080307	1/2" X 2150 TR-TR HOSE	01
08	0501080101	1/2 X 2400 TR-TR HOSE	01
09	0501080676	1/2" X 122" HOSE ASSY TC-TM	02





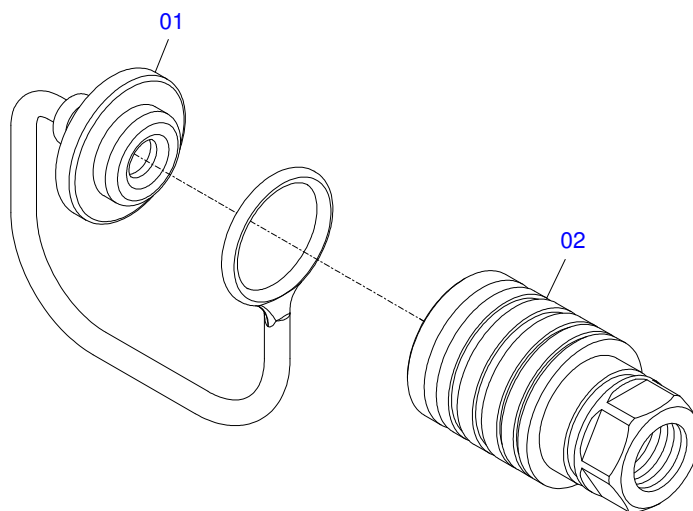
Item	Code	Description	QT
01	0503018033	37 X R.7/8 UNF 90° JIC MALE CONNECTOR WITH	01
02	0581014053	1/2 BSP X 7/8 UNF JIC X 64 ADAPTER - GATG	01
03	0503016854	VALVE ASSY	01
04	0503010045	2-116 N 3006-9B O'RING	01
05	0581014052	1/2 BSP X 7/8 UNF JIC X 43 NIPLE - PD/PCA	01
06	0503030387	PLUG	01



Item	Code	Description	QT
01	0503010371	5/16" X 1" BOLT	04
02	0503011135	7/16" X 1-1/2" BOLT	03
03	0503011173	7/16" X 2" BOLT	01
04	0503010395	1/2" X 1-1/4" BOLT	02
05	0503010479	1/2" X 3" BOLT	01
06	0501010100	5/8 UNC X 2 C S G.5 BOLT	06
07	0503010899	5/8" X 2-1/4" BOLT	04
08	0503011730	M16 X 2 X 60 BOLT	18
09	0503012693	M16 X 2 X 75 BOLT	02
10	0501010500	3/4"X3"BOLT	16
11	0561016755	PRISONER 1 UNC X 1 UNC X 76 ZN	04
12	0571019101	1.1/4 UNF X 110 BOLT PCA-T PLUS 1500 VTR A950	02
13	0501010694	FLAT WASHER	04
14	0511017302	FLAT WASHER	02
15	0501012140	FLAT WASHER	10
16	0501010574	FLAT WASHER	04
17	0521011132	FLAT WASHER	02
18	0503010179	SPRING WASHER	04
19	0503010019	1/2" SPRING WASHER	06
20	0503010180	7/16" SPRING WASHER	05
21	0503010027	SPRING WASHER	28
22	0503010023	SPRING WASHER	16
23	0503010244	7/16" NUT	02
24	0503010060	1/2" NUT	06
25	0503010013	5/8" NUT	08
26	0503010014	3/4" NUT	20
27	0501010059	1.5/8 NUT	04
28	0503010044	1-1/4" SELF-ADJUSTING NUT	08
29	0501068994	0.3" X 3.1"LOCK PIN	02
30	0503030012	HAIR PIN	02
31	0503010002	1800 GREASE FITTING	10
32	0571018714	3/4"X3/4"UNF NIPPLE UNION (SEXT 7/8"X50) PCA-T	01
33	0503062177	7/8 (V.C) T-ADAPTER WITH NUT	03



Item	Code	Description	QT
34	0501053835	FEMALE QUICK COUPLER	02
35	0503018033	37 X R.7/8 UNF 90° JIC MALE CONNECTOR WITH	01
36	0501011460	7/8 NF REDUCTION NIPPLE	01
37	0503010217	501040 CLAMPING RING (FOR AXLE)	02



Item	Code	Description	QT
01	0503011883	QUICK CONNECTION COVER	01
02	0503011628	FEMALE QUICK COUPLER	01





**MARCHESAN IMPLEMENTOS E MÁQUINAS AGRÍCOLAS TATU S.A.**

AV. Marchesan, 1979 - Post office box, 131 - CEP 15994-900 - Matão - SP - Brazil

Phone +55 16.3382-8282

(FAX Parts) + 55 16.3382. 8297 - (Export) + 55 16.3382.1003

e.mail: [tatu@marchesan.com.br](mailto:tatu@marchesan.com.br) [www.marchesan.com.br](http://www.marchesan.com.br)

**Technical Publications: Elaboration**

JOÃO VIRGINIO ROCHA

**Technical Publications: Revision**

JOÃO VIRGINIO ROCHA

*Contact Catálogo:*

*E-mail = [jgaspari@marchesan.com.br](mailto:jgaspari@marchesan.com.br)*

**ORIGINAL PARTS  
TATU**

