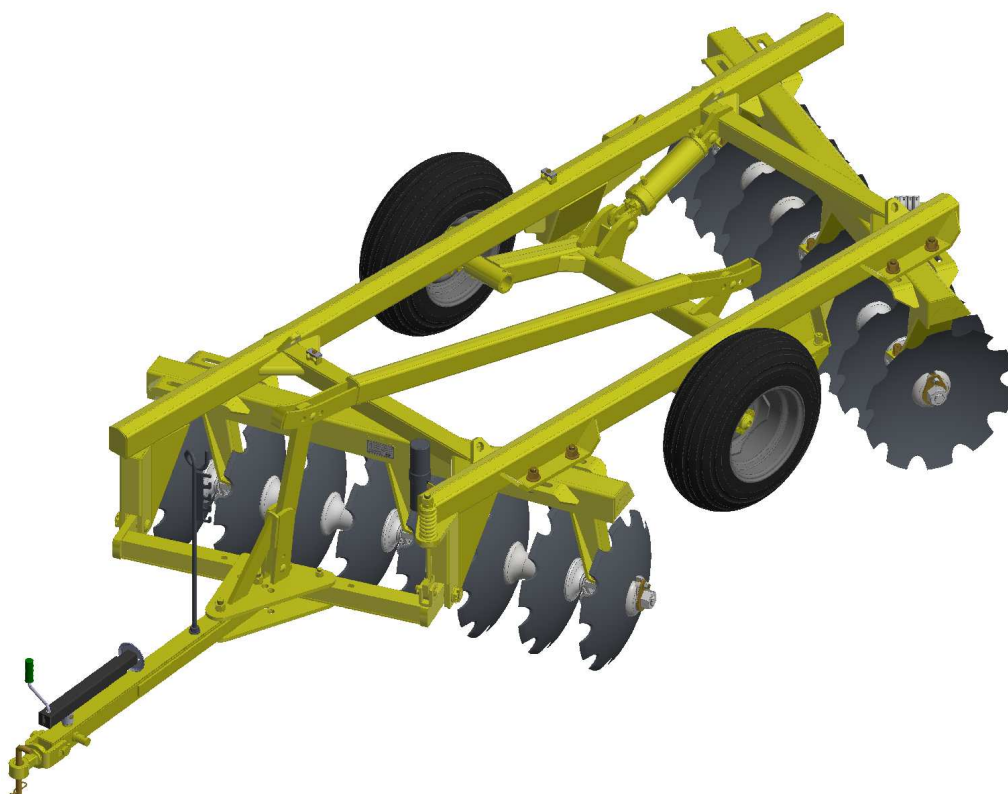


PARTS CATALOG

OFFSET DISK HARROW

GAICR 300 14 E 16 D. - AXIS 2.1/8"

Code: 0501092137



Series: S-0703

Rev.: 00

Date Rev.: MARÇO/2018

**ORIGINAL PARTS
TATU**



PRODUCTS

Code	Description
0102460129	GAICR 300 14X28X6 EIXO 2.1/8 DM
0102460116	GAICR 300 14X28X7,50 EIXO 2.1/8 DM
0102460114	GAICR 300 16X28X7,50 EIXO 2.1/8 DM
0102460113	GAICR 300 16X30X7,50 EIXO 2.1/8 DM

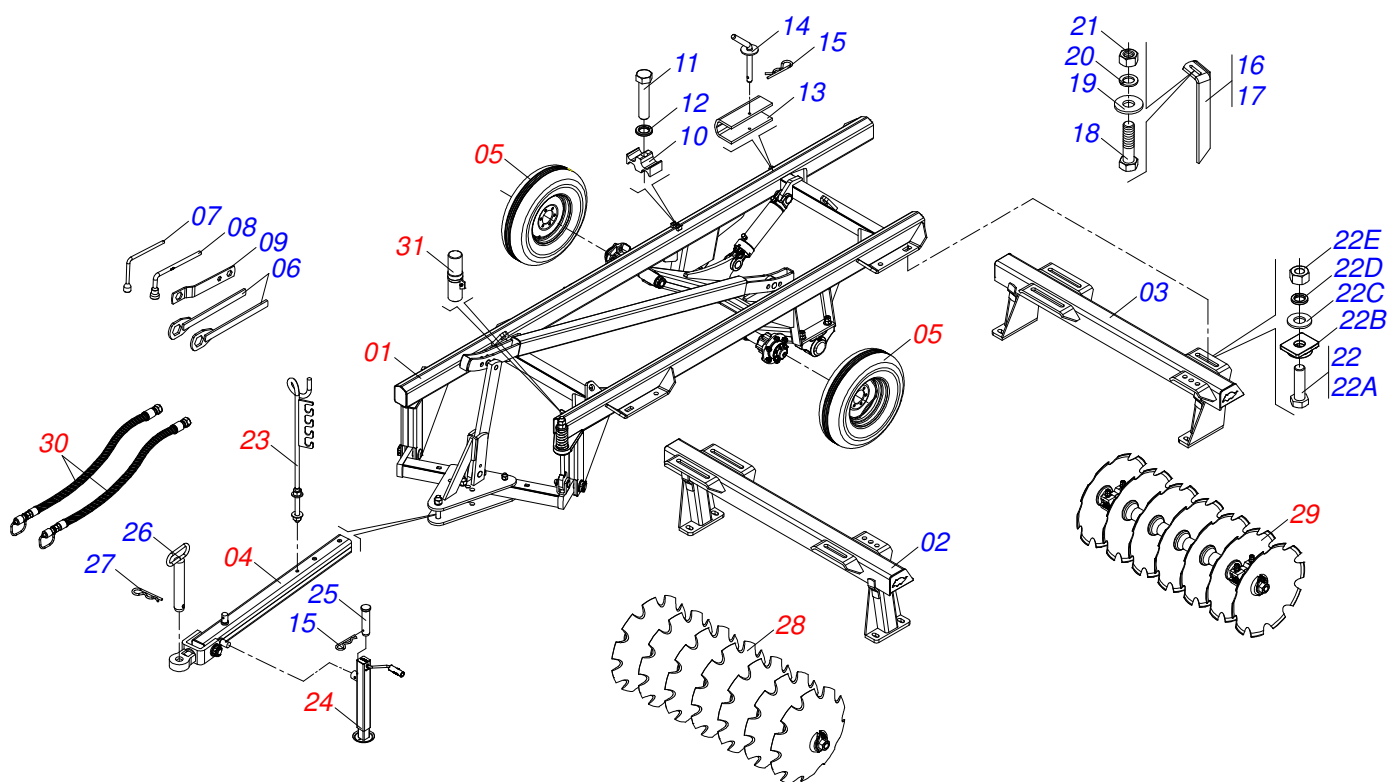
ATTENTION: **IMPORTANT**

MARCHESAN S/A RESERVES THE RIGHT AT ANY TIME TO MAKE IMPROVEMENTS IN THE DESIGN, MATERIAL OR SPECIFICATIONS OF MACHINERY, EQUIPMENT OR PARTS WITHOUT THEREBY BECOMING LIABLE TO MAKE SIMILAR CHANGES IN MACHINERY, EQUIPMENT OR PARTS PREVIOUSLY SOLD.

INDEX

0909093795	ASSY FRAME	1
0521045305	ASSY FRAME	2
0521045276	ASSY FRAME	3
0521048502	COMPLETE TRACTION BAR	4
0521053943	HITCH	5
0511058298	HYDRAULIC CYLINDER	6
0511059180	HYDRAULIC CYLINDER	7
0501051634	TSTUB SHAFT & HUB ASSY	8
0501051142	CARRYING WHEEL HUB	9
0503060091	L29.5"X0.63"-10L WHEEL AND	10
0501040257	3/4 X 1200 HOSE HOLDER A	11
0503062157	HEADER JACK	12
0909093796	FRONT DISC SECTION	13
0909093797	REAR DISC SECTION	14
0511047876	292 X 2.1/8" OIL BATH BEARING	15
0909093798	HYDRAULIC CIRCUIT	16
0521051702	ASSY MANUAL DOOR	17

ASSY FRAME



Item	Code	Description	See page	014	016
01	0521045305	ASSY FRAME	2	001	000
01.	0521045276	ASSY FRAME	3	000	001
02	0521062625	FRONT FRAME		001	000
02.	0521061539	FRONT FRAME		000	001
03	0521062626	REAR FRAME		001	000
03.	0521061540	REAR FRAME		000	001
04	0501041096	DRAWBAR ASSY		001	000
04.	0521048502	COMPLETE TRACTION BAR	4	000	001
05	0503060091	L29.5"X0.63"-10L WHEEL AND	10	001	001
06	0501061044	2-1/8" AND 2-1/2" CABLE FLAT WRENCH		002	002
07	0503015723	WRENCH WRENCH CYLINDRICAL 7/8		001	001
08	0501061617	1" GANG BOLT WRENCH		001	001
09	0511018451	5/8" X 3/4" X 1" UNIVERSAL		001	001
10	0502012702	BODY SUPPORT CLAMP		002	002
11	0503012555	7/16" X 2" BOLT		002	002
12	0503010180	7/16" SPRING WASHER		002	002
13	0511010839	TRANSPORT LOCK 7.9" X 2.1" X 0.4"		001	001
14	0501068994	0.3" X 3.1" LOCK PIN		001	001
15	0503030168	HAIR PIN		002	002
16	0501064168	REAR SCRAPER		004	005
17	0501064167	REAR SCRAPER		004	005
18	0503011082	C1/2" X 1.3/4" BOLT		016	020
19	0511017302	FLAT WASHER		020	020
20	0503010019	1/2" SPRING WASHER		016	020
21	0503010060	1/2" NUT		016	020
22	0501040877	C1" X 3-1/4" ASSY BOLT		008	008
22A	0501010059	1.5/8 NUT		008	008
22B	0501010171	PARAFUSO 1 UNC X 3.1/2 C S G.5		008	008
22C	0502012861	1" SQUARE WASHER		008	008
22D	0501010065	1" SPRING WASHER		008	008
22E	0503010012	1" SPRING WASHER		008	008

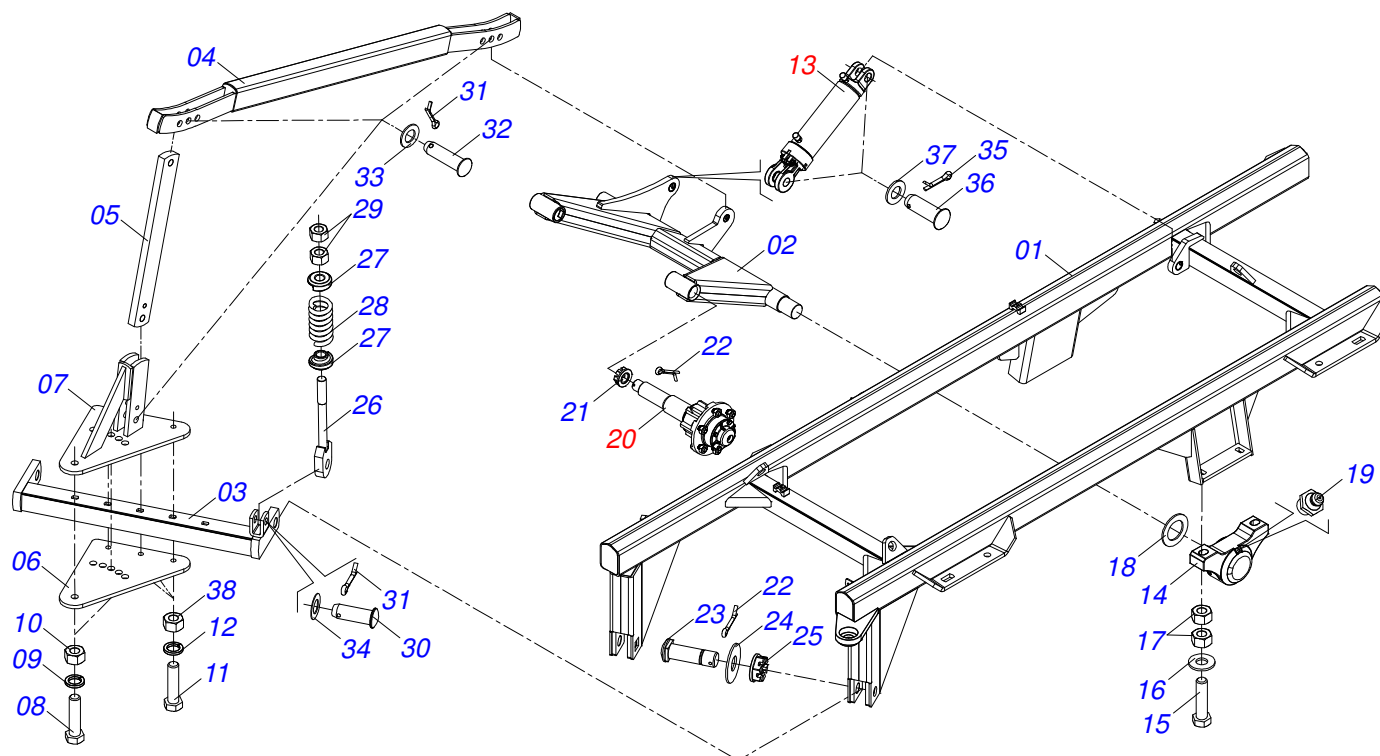


ASSY FRAME

0909093795

Item	Code	Description	See page	014	016
23	0501040257	3/4 X 1200 HOSE HOLDER A	11	001	001
24	0503062157	HEADER JACK	12	001	001
25	0521010549	COUPLING SHAFT		001	001
26	0501069080	COUPLING SHAFT		001	001
27	0503031035	HAIR PIN		001	001
28	0909093796	FRONT DISC SECTION	13	001	001
29	0909093797	REAR DISC SECTION	14	001	001
30	0909093798	HYDRAULIC CIRCUIT	16	001	001
31	0521051702	ASSY MANUAL DOOR	17	001	001

ASSY FRAME



Item	Code	Description	See page	QT
01	0511066917	FRAME 12 TO 16		01
02	0501066950	CARRYING-WHEELS		01
03	0501060370	OFFSET BAR		01
04	0511066932	CSTABILIZER BARCOTTERPIN		01
05	0511012972	TSTABILIZER BAR TOWER		01
06	0501010241	UPPER /LOWER PLATE		01
07	0501066099	UPPER PLATE WITH SUPPORT		01
08	0501010060	1" X 6-1/2" BOLT		02
09	0503011438	SPRING WASHER		02
10	0501010059	1.5/8 NUT		02
11	0503011198	C3/4" X 6" BOLT		03
12	0503011442	3/4" SPRING WASHER		03
13	0511058298	HYDRAULIC CYLINDER	6	01
14	0501110856	ARTICULACION BEARING		02
15	0503010797	3/4" X 4" BOLT		04
16	0501010322	FLAT WASHER		04
17	0503010014	3/4" NUT		08
18	0501017579	FLAT WASHER		02
19	0503010002	1800 GREASE FITTING		02
20	0501051634	TSTUB SHAFT & HUB ASSY	8	02
21	0501011301	1.1/2 UNC 6FPP 2.5/16 NUT		02
22	0503010010	1/4" X 2.1/2" COTTERPIN		04
23	0521017538	11-1/2" X 5" COUPLING SHAFT		02
24	0511019880	FLAT WASHER		02
25	0501011301	1.1/2 UNC 6FPP 2.5/16 NUT		02
26	0501064698	SPRING ROD		01
27	0502020392	SPRING SUPPORT		02
28	0503030441	12.7" X 5.7" X 0.5"SPRING		01
29	0501010059	1.5/8 NUT		02
30	0521010592	1.1" X 3.1" COUPLING SHAFT		01
31	0503010571	1/4" X 1.1/2 COTTERPIN		05

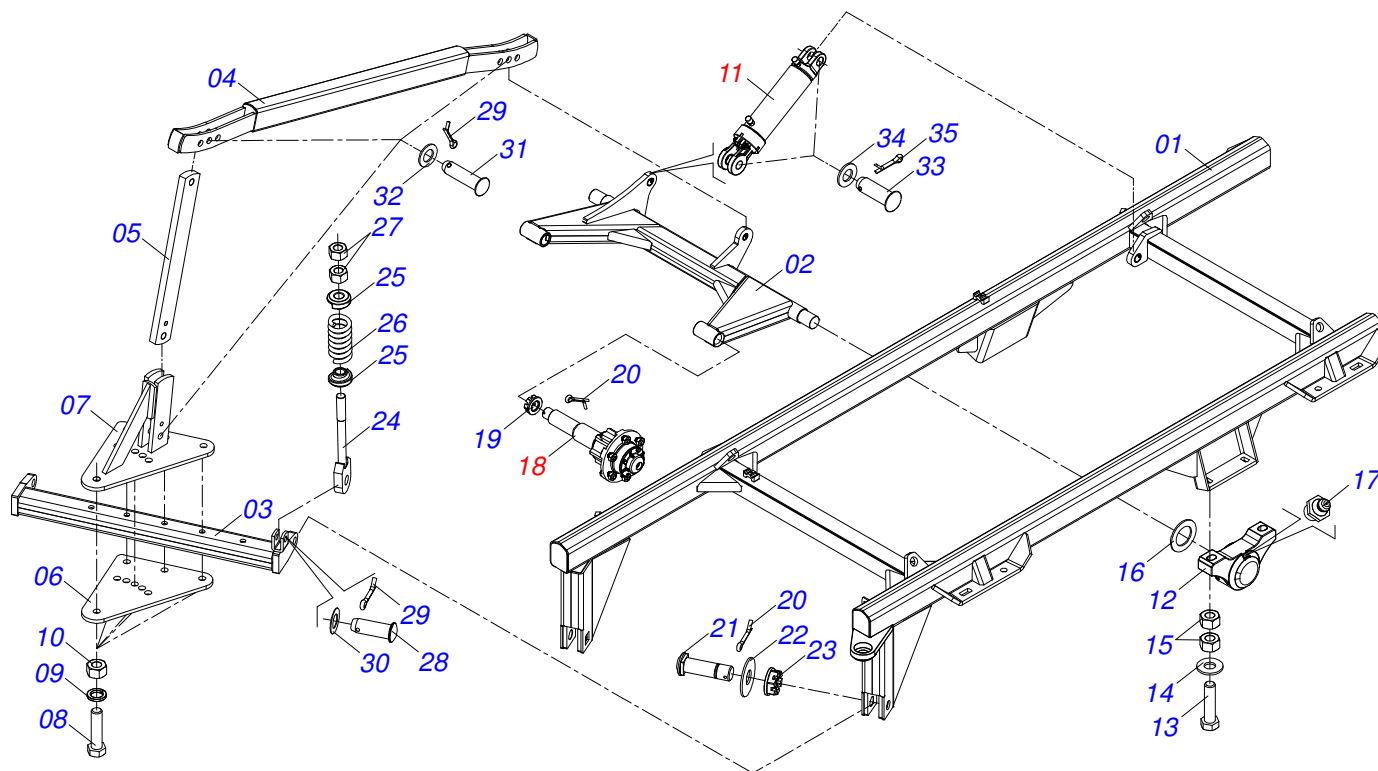


ASSY FRAME

0521045305

Item	Code	Description	See page	QT
32	0521010576	0.9" X 3.7" COUPLING SHAFT		03
33	0501011445	FLAT WASHER		03
34	0561011883	FLAT WASHER		01
35	0503010523	1/4" X 2" COTTERPIN		02
36	0521810779	AXIS JUNCTION 31.75 X 95 HOLE 80 SA ATCR		02
37	0501017779	FLAT WASHER		02
38	0503010014	3/4" NUT		03
39	0503034003	ALUMINUM ID TAG		01
40	0503010001	RIVET POP		04
41	0503060824	ASSY STICKER		01
42	0503031087	ADHESIVE LABEL		01

ASSY FRAME



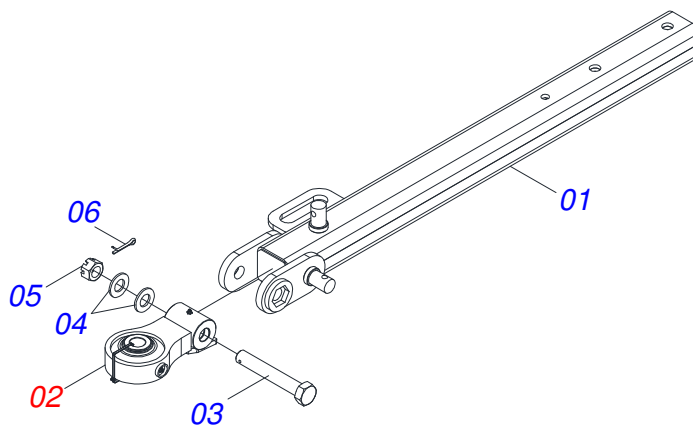
Item	Code	Description	See page	QT
01	0501065574	FRAME		01
02	0501065518	CARRYING-WHEELS		01
03	0501066262	OFFSET BAR		01
04	0511066932	CSTABILIZER BARCOTTERPIN		01
05	0511012972	TSTABILIZER BAR TOWER		01
06	0511013000	UPPER /LOWER PLATE		01
07	0501066235	UPPER PLATE WITH SUPPORT		01
08	0501010334	1" X 7" BOLT		05
09	0503011438	SPRING WASHER		05
10	0501010059	1.5/8 NUT		05
11	0511059180	HYDRAULIC CYLINDER	7	01
12	0501110856	ARTICULACION BEARING		02
13	0503010797	3/4" X 4" BOLT		04
14	0501010322	FLAT WASHER		04
15	0503010014	3/4" NUT		08
16	0501017579	FLAT WASHER		02
17	0503010002	1800 GREASE FITTING		02
18	0501051634	TSTUB SHAFT & HUB ASSY	8	02
19	0501011301	1.1/2 UNC 6FPP 2.5/16 NUT		02
20	0503010010	1/4" X 2.1/2" COTTERPIN		04
21	0521017538	11-1/2" X 5" COUPLING SHAFT		02
22	0511019880	FLAT WASHER		02
23	0501011301	1.1/2 UNC 6FPP 2.5/16 NUT		02
24	0501064698	SPRING ROD		01
25	0502020392	SPRING SUPPORT		02
26	0503030441	12.7" X 5.7" X 0.5"SPRING		01
27	0501010059	1.5/8 NUT		02
28	0521010592	1.1" X 3.1" COUPLING SHAFT		01
29	0503010571	1/4" X 1.1/2 COTTERPIN		05
30	0561011883	FLAT WASHER		01
31	0521010576	0.9" X 3.7" COUPLING SHAFT		03



ASSY FRAME

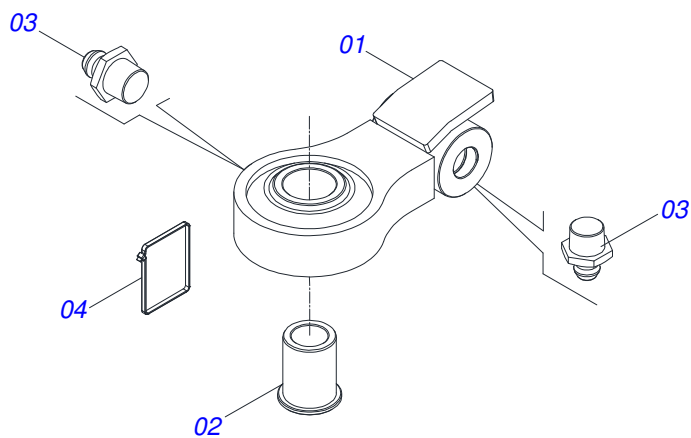
0521045276

Item	Code	Description	See page	QT
32	0501011445	FLAT WASHER		03
33	0521810779	AXIS JUNCTION 31.75 X 95 HOLE 80 SA ATCR		02
34	0501017779	FLAT WASHER		02
35	0503010523	1/4" X 2" COTTERPIN		02
36	0503060824	ASSY STICKER		01
37	0503034003	ALUMINUM ID TAG		01
38	0503010001	RIVET POP		04

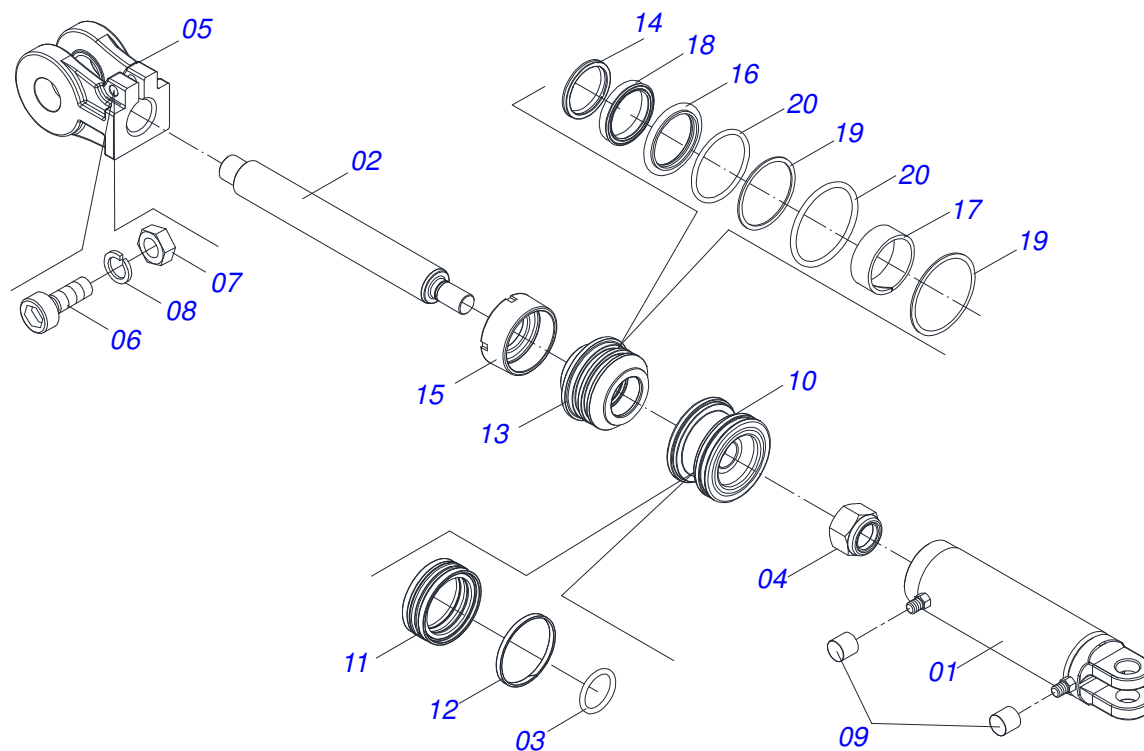


Item	Code	Description	See page	QT
001	0521069165	DRAWBAR ASSY		01
002	0521053943	HITCH	5	01
003	0581015973	1.1/4 UNC X 8 C S G5 SCREW		01
004	0501017779	FLAT WASHER		02
005	0503013026	1.1/4" CASTLE NUT		01
006	0503010010	1/4" X 2.1/2" COTTERPIN		01

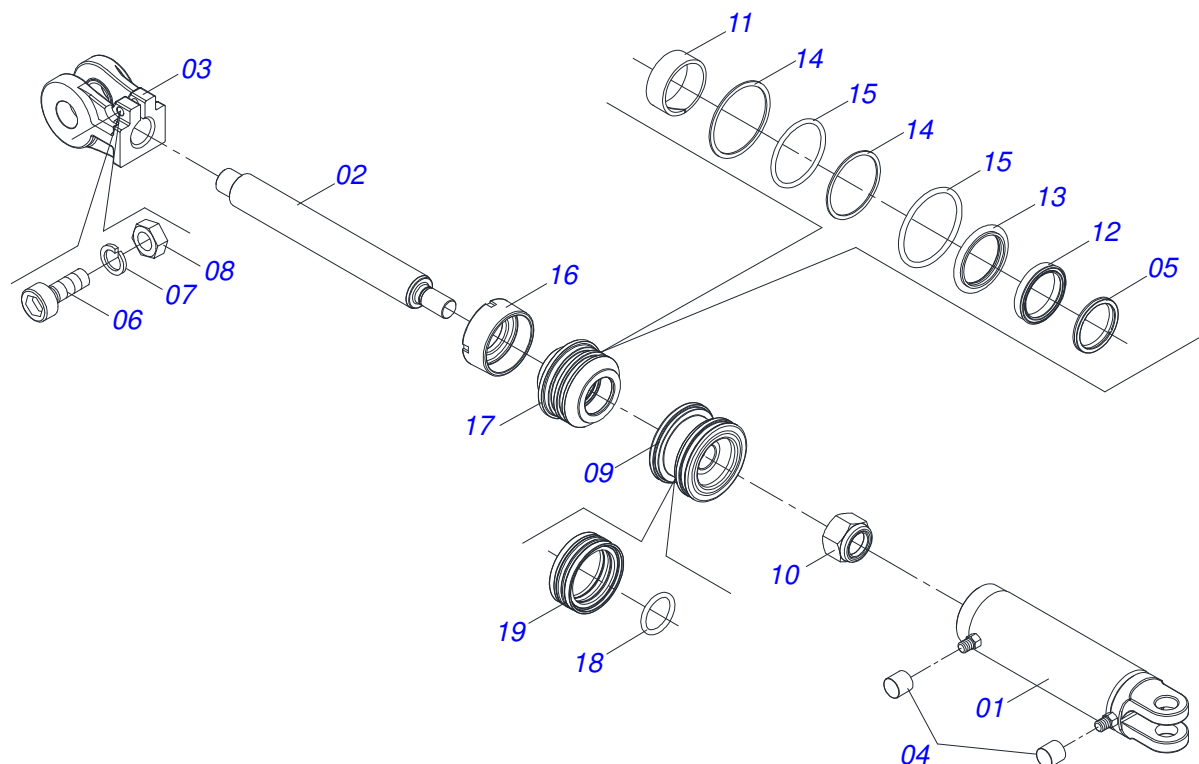
HITCH



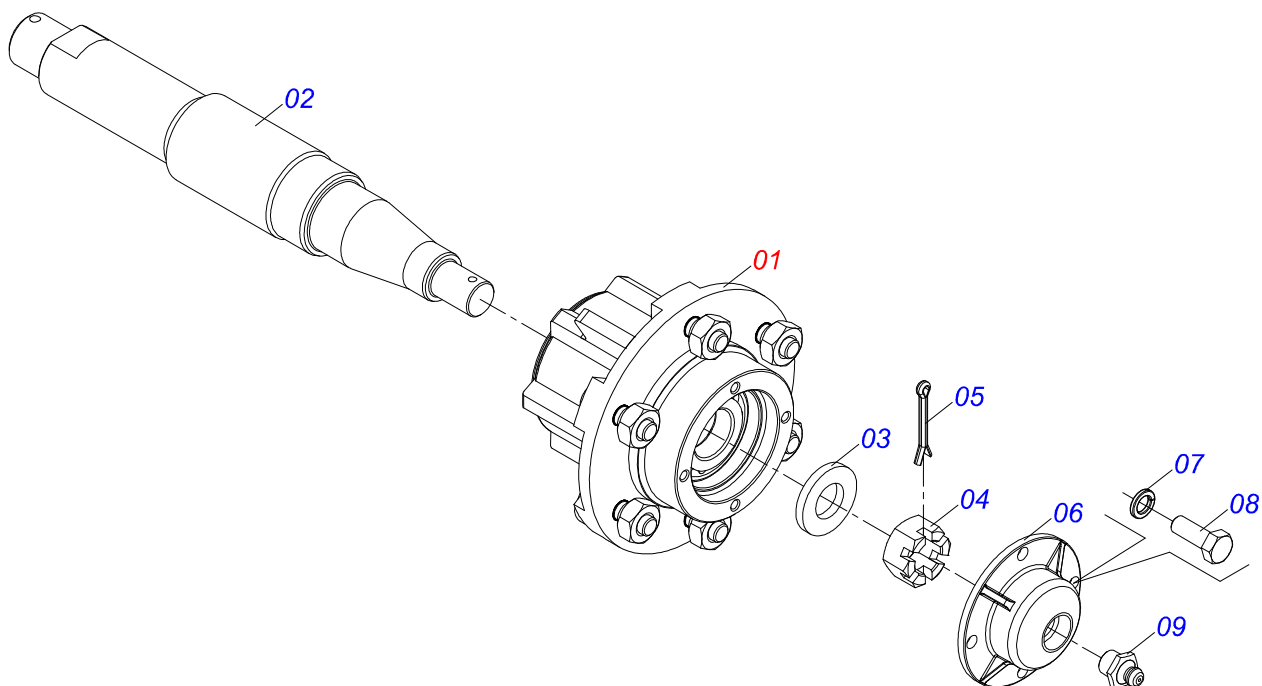
Item	Code	Description	See page	QT
01	0521069166	HITCH		01
02	0581018413	SLEEVE		01
03	0503010002	1800 GREASE FITTING		02
04	0503016033	4,8 X 1,3 X 300 MM NYLON CLAMP		01



Item	Code	Description	See page	QT
001	0511061588	3.4" X 16" CYLINDER CASE		01
002	0521010421	HYDRAULIC CYLINDER TURNBUCKLE		01
003	0503010042	2-214 N 3006-9B O'RING		01
004	0503010063	1" SELF-ALIGNING NUT		01
005	0502040747	FORK		01
006	0503011094	3/8" X 2" BOLT C C S I 12.9		01
007	0503010026	3/8" NUT		01
008	0503010025	3/8 SPRING WASHER		01
009	0503030385	CYLINDER PLUG N-002		02
010	0571019710	1.7" X 3.4" PISTON		01
011	0503017935	RING		01
012	0503018144	RING		01
013	0571019711	RING SUPPORT		01
014	0503010761	D-1750 SCRAPER RING		01
015	0571019709	DETACHABLE COVER		01
016	0503017936	RING		01
017	0503017938	RING GUIDE		01
018	0503017937	GASKET		01
019	0503017940	8-337 BACK-UP RING		02
020	0503017939	2-337 N 3006-9B O' RING		02

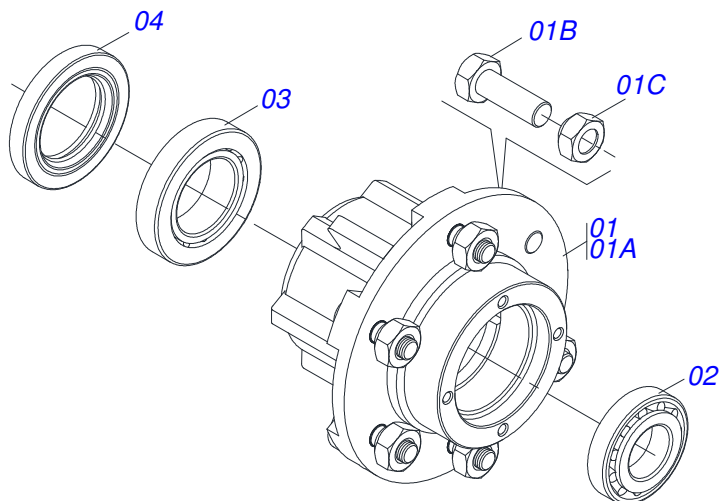


Item	Code	Description	See page	QT
001	0511070658	CYLINDER CASE		01
002	0571019958	HYDRAULIC CYLINDER TURNBUCKLE		01
003	0502040747	FORK		01
004	0503030385	CYLINDER PLUG N-002		02
005	0503010039	D-2000 SCRAPER RING		01
006	0503011094	3/8" X 2" BOLT C C S I 12.9		01
007	0503011443	SPRING WASHER		01
008	0503010026	3/8" NUT		01
009	0502012820	50,80 X 101,60 PISTON		01
010	0503010817	1-1/4" SELF-ADJUSTING NUT		01
011	0503018025	RING GUIDE		01
012	0503018026	1870-2000-375 B GASKET		01
013	0503018024	RING BS		01
014	0503010338	2-342 N 3006-9B O'RING		02
015	0503011061	8-342 BACK-UP RING		02
016	0502012822	101,60 MOBILE COVER		01
017	0502012821	50,80 X 101,60 RING SUPPORT		01
018	0503018029	2-217 O'RING		01
019	0503015633	SELEMASTER SEALING		01

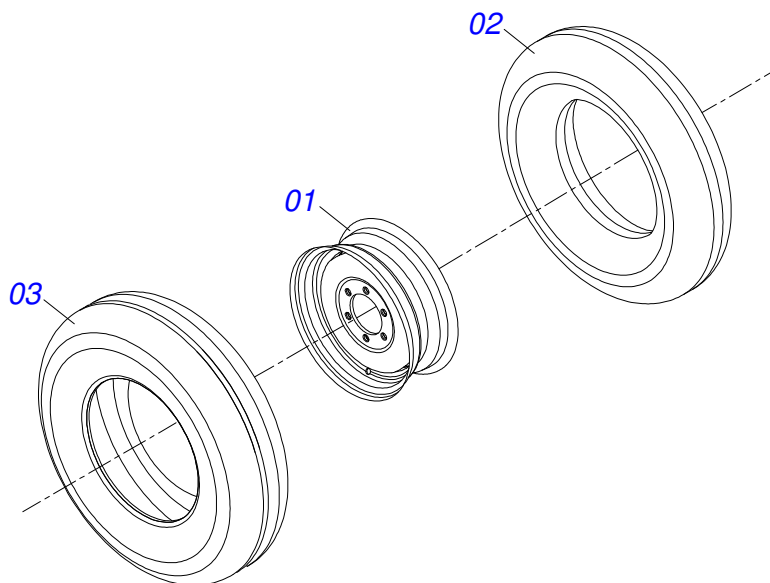


Item	Code	Description	See page	QT
01	0501051142	CARRYING WHEEL HUB	9	01
02	0521010821	2.5" X 16.5" AXLE		01
03	0501016545	FLAT WASHER		01
04	0503030009	1" CASTLE NUT		01
05	0503010018	5/32 X 1-1/2 COTTERPIN		01
06	0502020591	PROTECCION COVER		01
07	0503011444	SPRING WASHER		04
08	0503010358	5/16" X 5/8" BOLT		04
09	0503010002	1800 GREASE FITTING		01

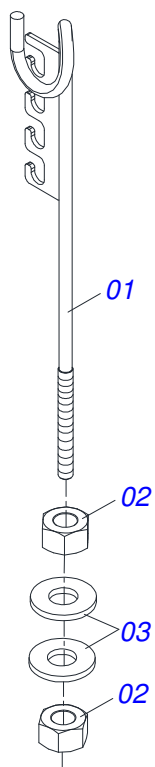
CARRYING WHEEL HUB



Item	Code	Description	See page	QT
01	0501110728	WHEEL HUB		01
01A	0502011121	CARRYING WHEEL HUB		01
01B	0501010127	9/16" X 1-7/8" LUG BOLT		06
01C	0503010035	9/16" CONIC NUT		06
02	0503010037	30207 ROLLER BEARING		01
03	0503010006	32210 ROLLER BEARING		01
04	0503012928	SEAL		01

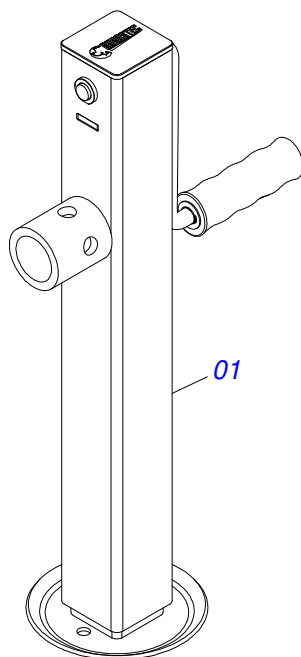


Item	Code	Description	See page	QT
01	0503010893	WHEEL		01
02	0503010033	7.50 X 16 INNER TIRE		01
03	0503010120	CANVAS TIRE		01



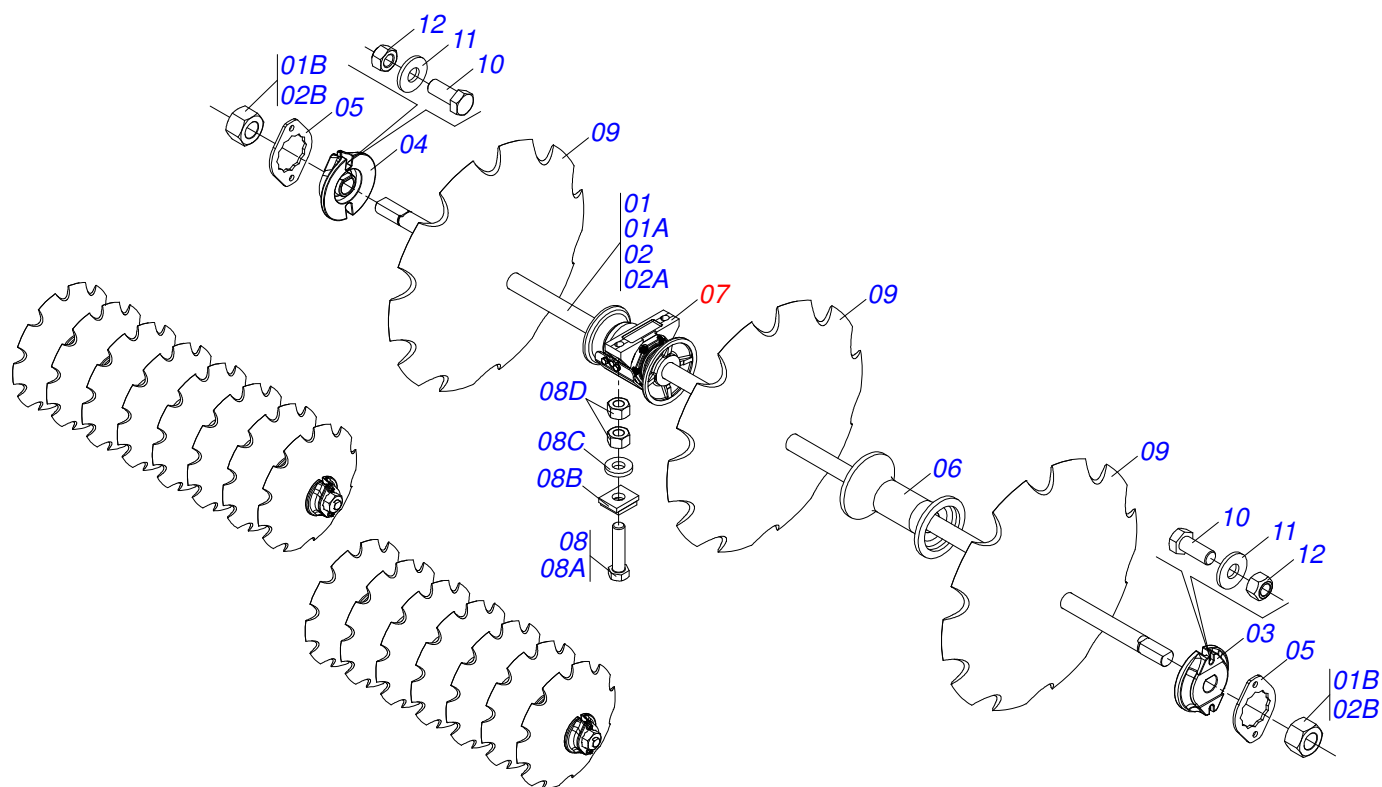
Item	Code	Description	See page	QT
01	0511067334	HOSE SOPPORT ASSY		01
02	0503010014	3/4" NUT		02
03	0501010322	FLAT WASHER		02

HEADER JACK

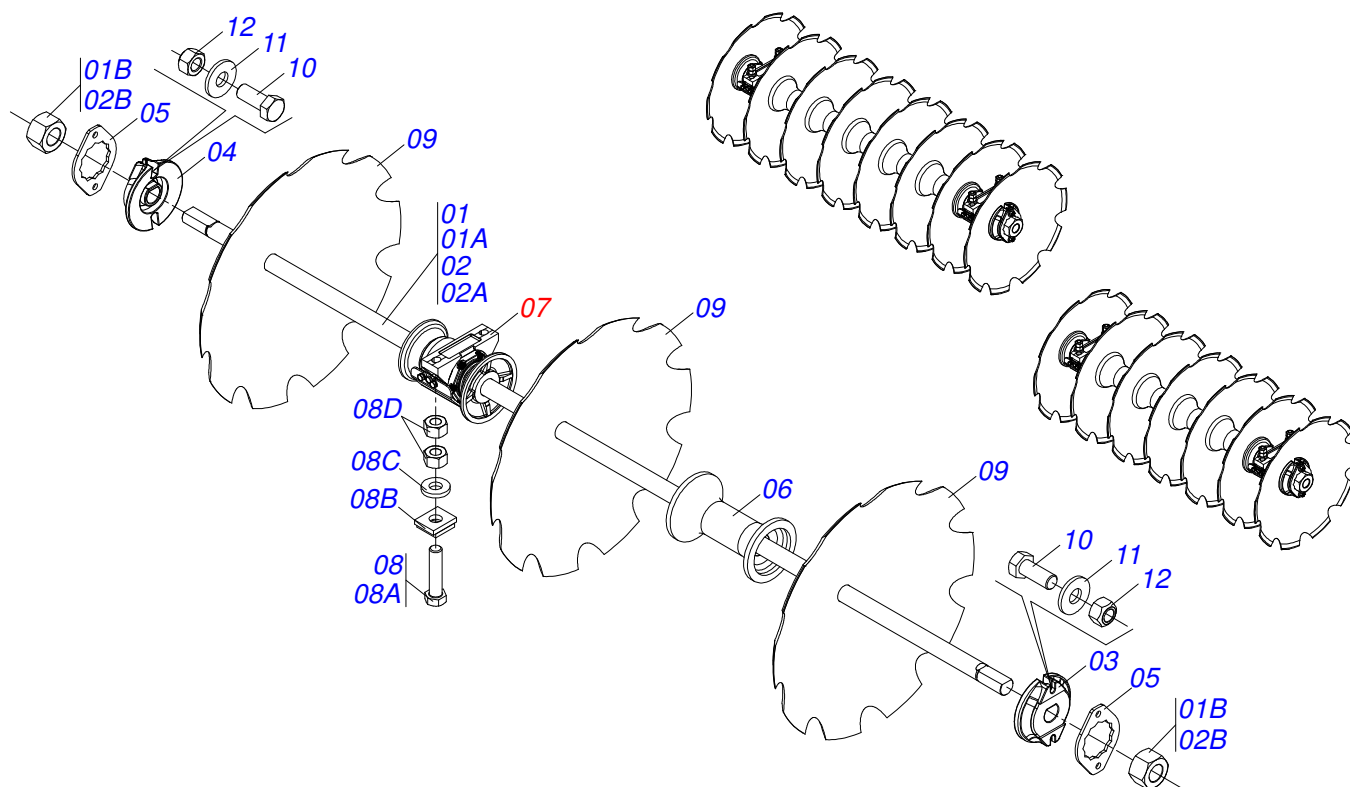


Item	Code	Description	See page	QT
01	0503062157	HEADER JACK	12	01

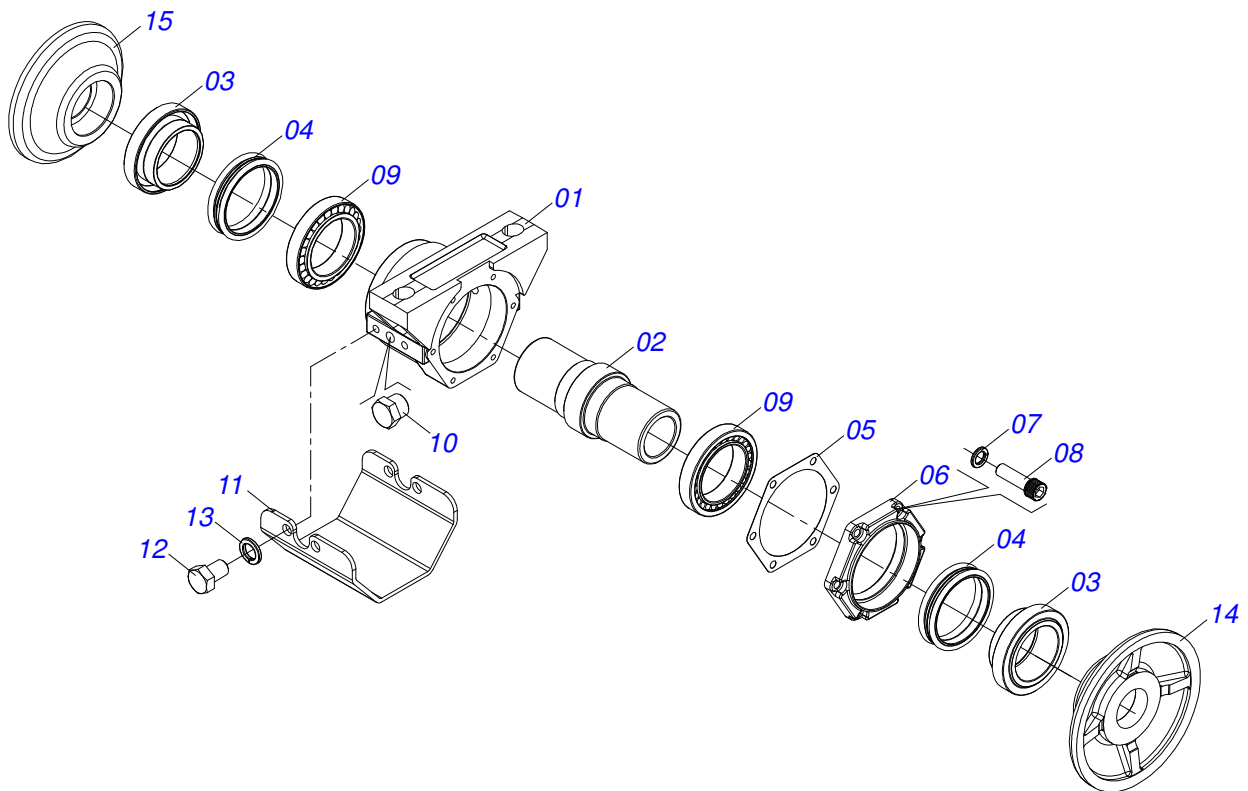
FRONT DISC SECTION



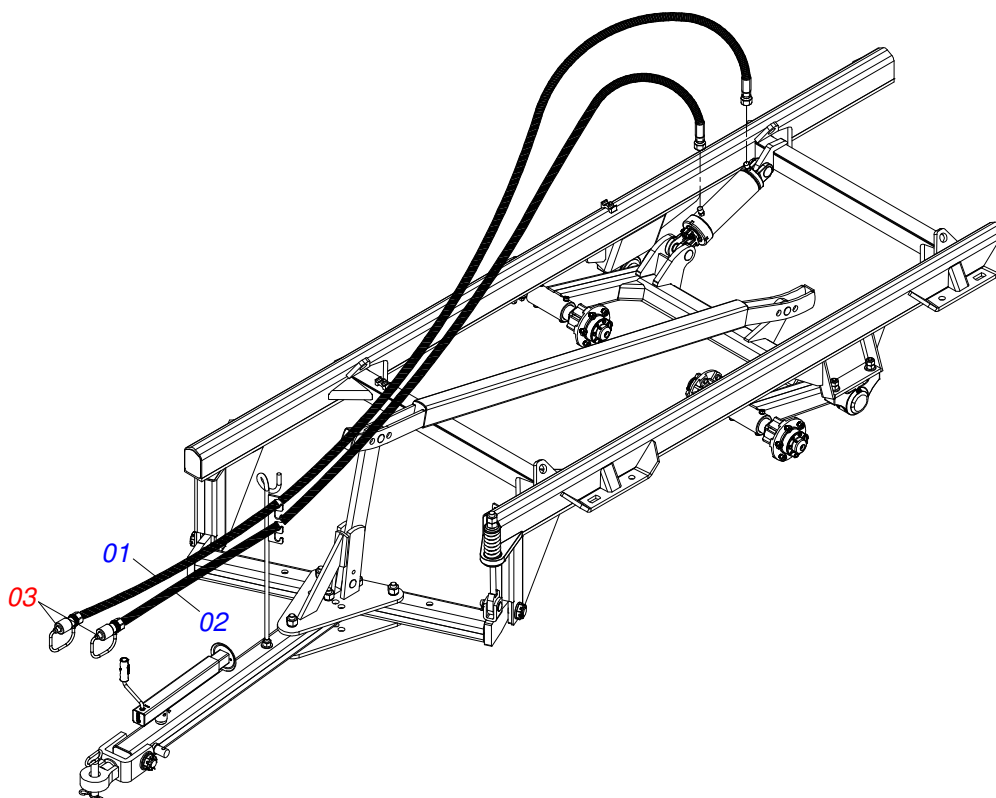
Item	Code	Description	See page	014	016
01	0501059155	2-1/8" X 2020 AXLE WITH NUTS		001	000
01A	0561013277	2-1/8" X 2020 AXLE		001	000
01B	0502040063	2.1/8" X 54 99 NUT		002	000
02	0501059883	2.1/8 X 2320 AXIS WITH NUTS		000	001
02A	0561016052	2.1/8 X 2320 AXLE		000	001
02B	0502040063	2.1/8" X 54 99 NUT		000	002
03	0502010594	2-1/8" EXTERNAL AXLE WASHER		001	001
04	0502010595	2-1/8" INNER AXLE WASHER		001	001
05	0541010368	NUT LOCK		002	002
06	0502011405	292 W/H 2.1/8 SPACER		004	005
07	0511047876	292 X 2.1/8" OIL BATH BEARING	15	002	002
08	0511046308	7/8" NC X 4.1/2" BOLT ASSY		004	004
08A	0503012460	7/8" X 4-1/2" BOLT		004	004
08B	0521066938	BEARING SUPPORT		004	004
08C	0561013107	FLAT WASHER		004	004
08D	0503010417	7/8" NUT		008	008
09	0602037252	DR28X6 C108AF02FR2.3/16" D066 10REC		007	000
09.	0602037250	28" X 7,5 NOTCHED DISC BLADE		007	000
09..	0602037002	28" X 0.3" NOTCHED DISC BLADE		000	008
09...	0602040001	30" X 0.3" NOTCHED DISC BLADE		000	008
10	0503010232	5/8" X 1.3/4" BOLT		004	004
11	0501012140	FLAT WASHER		004	004
12	0503012412	HEX SELF ADJUSTING NUT 5/8 UNC S		004	004



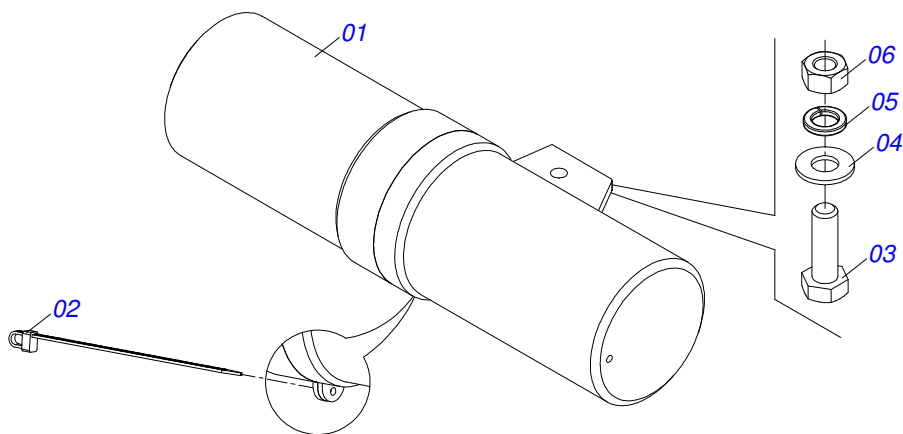
Item	Code	Description	See page	014	016
01	0501059155	2-1/8" X 2020 AXLE WITH NUTS		001	000
01A	0561013277	2-1/8" X 2020 AXLE		001	000
01B	0502040063	2.1/8" X 54 99 NUT		002	000
02	0501059883	2.1/8 X 2320 AXIS WITH NUTS		000	001
02A	0561016052	2.1/8 X 2320 AXLE		000	001
02B	0502040063	2.1/8" X 54 99 NUT		000	002
03	0502010595	2-1/8" INNER AXLE WASHER		001	001
04	0502010594	2-1/8" EXTERNAL AXLE WASHER		001	001
05	0541010368	NUT LOCK		002	002
06	0502011405	292 W/H 2.1/8 SPACER		004	005
07	0511047876	292 X 2.1/8" OIL BATH BEARING	15	002	002
08	0511046308	7/8" NC X 4.1/2" BOLT ASSY		004	004
08A	0503012460	7/8" X 4-1/2" BOLT		004	004
08B	0521066938	BEARING SUPPORT		004	004
08C	0561013107	FLAT WASHER		004	004
08D	0503010417	7/8" NUT		008	008
09	0602037252	DR28X6 C108AF02FR2.3/16" D066 10REC		007	000
09.	0602037250	28" X 7,5 NOTCHED DISC BLADE		007	000
09..	0602037002	28" X 0.3" NOTCHED DISC BLADE		000	008
09...	0602040001	30" X 0.3" NOTCHED DISC BLADE		000	008
10	0503010232	5/8" X 1.3/4" BOLT		004	004
11	0501012140	FLAT WASHER		004	004
12	0503012412	HEX SELF ADJUSTING NUT 5/8 UNC S		004	004



Item	Code	Description	See page	QT
01	0502012482	HOUSING BEARING	01	01
02	0502040810	SHAFT FOR BEARING	01	01
03	0502040198	SEAL RETAINER	02	02
04	0503030028	JB-257 SEAL	02	02
05	0503032999	JOINT	03	03
06	0502012481	BOX COVER	01	01
07	0503011443	SPRING WASHER	06	06
08	0503010175	3/8" X 1-1/4" BOLT	06	06
09	0503010107	27687/27620 BEARING	02	02
10	0503010856	OIL PLUG	02	02
11	0551017124	PROTECTION COVER	01	01
12	0503011401	1/2" X 3/4" BOLT	04	04
13	0503010019	1/2" SPRING WASHER	04	04
14	0581012051	EXTERNAL DISC	01	01
15	0581012052	DISCO INTERNE	01	01



Item	Code	Description	See page	QT
01	0501080443	3/8" X 236" TR-TM HOSE		01
02	0501080421	3/8" X 230" TR-TM HOSE ASS		01
03	0501053834	MALE QUICK COUPLING AGRICULTURAL WITH COVER - 1/2 NPT		02



Item	Code	Description	See page	QT
001	0503060100	HAND BOOK COMPARTMENT		01
002	0503010267	NYLON CLAMP		01
003	0503010363	5/16" X 1" BOLT		01
004	0501010694	FLAT WASHER		01
005	0503010179	SPRING WASHER		01
006	0503010337	5/16" NUT		01



MARCHESAN IMPLEMENTOS E MÁQUINAS AGRÍCOLAS TATU S.A.

AV. Marchesan, 1979 - Post office box, 131 - CEP 15994-900 - Matão - SP - Brazil

Phone +55 16.3382-8282

(FAX Parts) + 55 16.3382. 8297 - (Export) + 55 16.3382.1003

e.mail: tatu@marchesan.com.br www.marchesan.com.br

Technical Publications: Elaboration

ALESSANDRA PATRICIA KAWAHARA CARRILI

Technical Publications: Revision

MARINA PEREZ NIZA

Contact Catálogo:

E-mail = jgaspari@marchesan.com.br

**ORIGINAL PARTS
TATU**

