

PARTS CATALOGUE



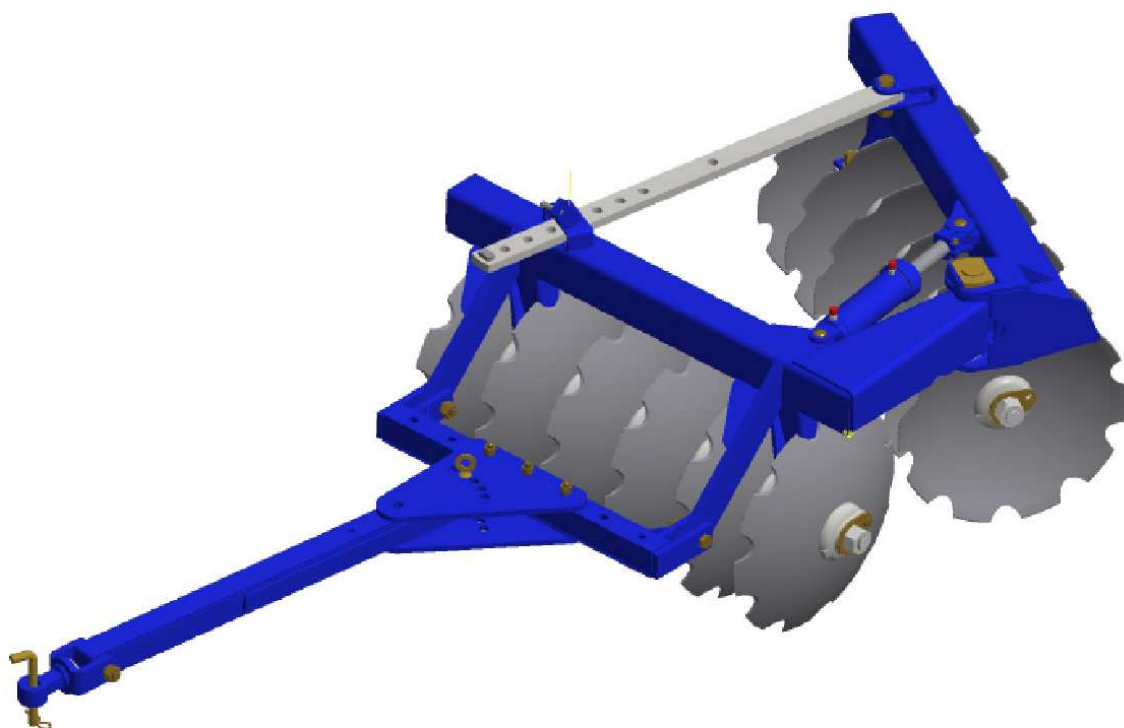
OFFSET DISK HARROW

Code:

0501092135

Product:

GA



Series:

S-0989

Revision:

00

Date Revision:

MARÇO/2018



PRODUCTS

Code	Description	
0102010227	GA 10 X 24 X 4,75 MA	S-0989
0102010164	GA 10 X 24 X 6,00 CM	S-0989
0102010177	GA 10 X 24 X 6,00 DM	S-0989
0102010199	GA 10 X 26 X 6,00 CM	S-0989
0102010213	GA 10 X 26 X 6,00 DM	S-0989
0102010232	GA 12 X 24 X 4,75 CM	S-0989
0102010236	GA 12 X 24 X 4,75 DM	S-0989
0102010165	GA 12 X 24 X 6,00 CM	S-0989
0102010178	GA 12 X 24 X 6,00 DM	S-0989
0102010200	GA 12 X 26 X 6,00 CM	S-0989
0102010215	GA 12 X 26 X 6,00 DM	S-0989
0102010361	GA 12 X 28 X 6,00 CM	S-0989
0102010350	GA 12 X 28 X 6,00 DM	S-0989
0102010233	GA 14 X 24 X 4,75 CM	S-0989
0102010237	GA 14 X 24 X 4,75 DM	S-0989
0102010166	GA 14 X 24 X 6,00 CM	S-0989
0102010179	GA 14 X 24 X 6,00 DM	S-0989
0102010201	GA 14 X 26 X 6,00 CM	S-0989
0102010216	GA 14 X 26 X 6,00 DM	S-0989
0102010343	GA 14 X 28 X 6,00 CM	S-0989
0102010348	GA 14 X 28 X 6,00 DM	S-0989
0102010234	GA 16 X 24 X 4,75 CM	S-0989
0102010238	GA 16 X 24 X 4,75 DM	S-0989
0102010167	GA 16 X 24 X 6,00 CM	S-0989
0102010180	GA 16 X 24 X 6,00 DM	S-0989
0102010202	GA 16 X 26 X 6,00 CM	S-0989
0102010217	GA 16 X 26 X 6,00 DM	S-0989
0102010353	GA 16 X 28 X 6,00 CM	S-0989
0102010352	GA 16 X 28 X 6,00 DM	S-0989
0102010168	GA 18 X 24 X 6,00 CM	S-0989

ATTENTION: IMPORTANT

Marchesan S.A. reserves the right to improve and / or modify the technical features of its products, without obligation to do the same with those products already sold and without prior knowledge of the dealer or the consumer.



PRODUCTS

0102010181	GA 18 X 24 X 6,00 DM	S-0989
0102010369	GA 18 X 24 X 6,00 DM MT	S-0989
0102010203	GA 18 X 26 X 6,00 CM	S-0989
0102010218	GA 18 X 26 X 6,00 DM	S-0989
0102010354	GA 18 X 28 X 6,00 CM	S-0989
0102010351	GA 18 X 28 X 6,00 DM	S-0989
0102010169	GA 20 X 24 X 6,00 CM	S-0989
0102010182	GA 20 X 24 X 6,00 DM	S-0989
0102010204	GA 20 X 26 X 6,00 CM	S-0989
0102010219	GA 20 X 26 X 6,00 DM	S-0989
0102010326	GA 20 X 26 X 6,00 DM EXPORT	S-0989
0102010240	GA 20 X 28 X 6,00 CM	S-0989
0102010347	GA 20 X 28 X 6,00 DM	S-0989
0102010367	GA 20 X 28 X 7,50 DM	S-0989
0102010170	GA 22 X 24 X 6,00 CM	S-0989
0102010183	GA 22 X 24 X 6,00 DM	S-0989
0102010205	GA 22 X 26 X 6,00 CM	S-0989
0102010220	GA 22 X 26 X 6,00 DM	S-0989
0102010241	GA 22 X 28 X 6,00 CM	S-0989
0102010365	GA 22 X 28 X 6,00 DM	S-0989
0102010171	GA 24 X 24 X 6,00 CM	S-0989
0102010184	GA 24 X 24 X 6,00 DM	S-0989
0102010206	GA 24 X 26 X 6,00 CM	S-0989
0102010221	GA 24 X 26 X 6,00 DM	S-0989
0102010242	GA 24 X 28 X 6,00 CM	S-0989
0102010349	GA 24 X 28 X 6,00 DM	S-0989

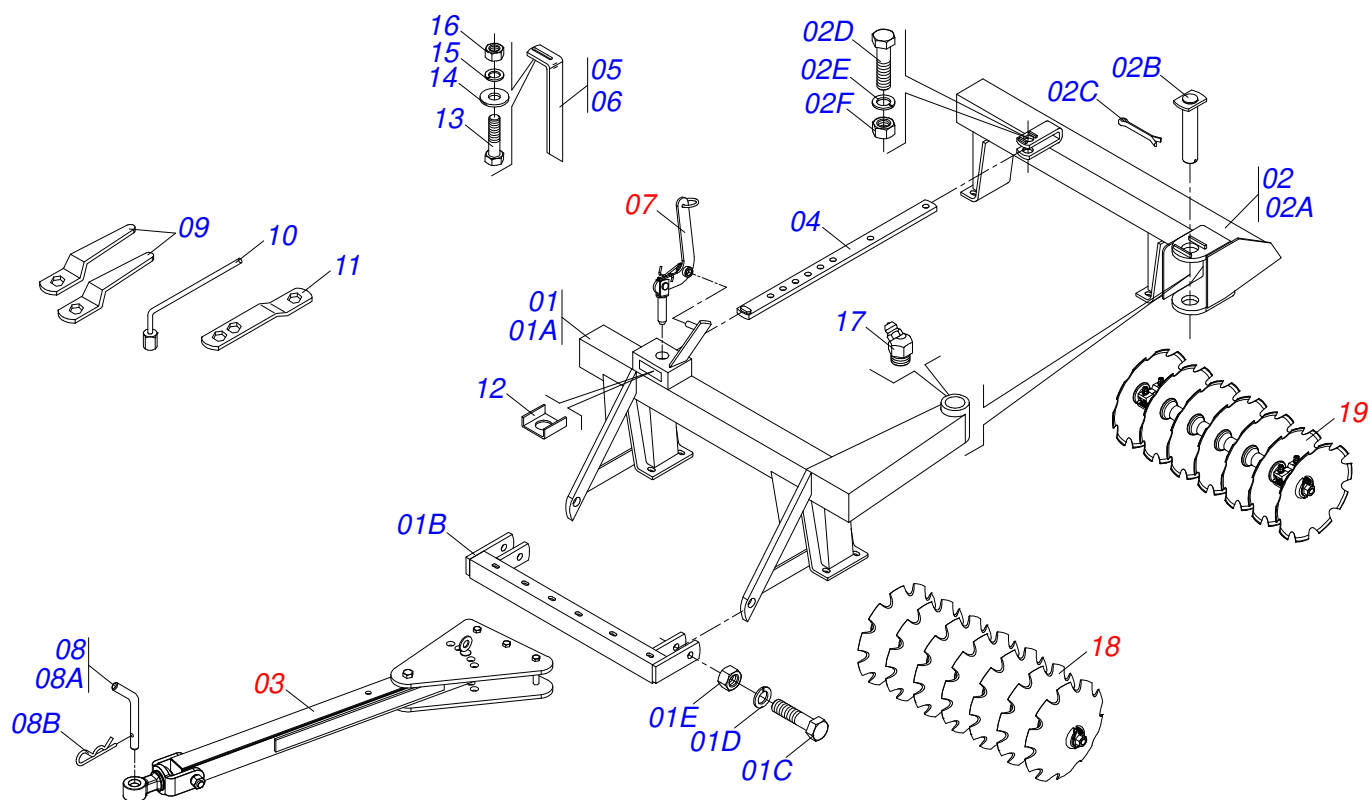
ATTENTION: IMPORTANT

Marchesan S.A. reserves the right to improve and / or modify the technical features of its products, without obligation to do the same with those products already sold and without prior knowledge of the dealer or the consumer.



INDEX

0909093800	10/12/14/16D - ASSY FRAME	1
0909093803	18/20/22/24D - ASSY FRAME	2
0501042816	ASSY TRACTION BAR	3
0501047858	ADJUSTMENT LEVER ASSY	4
0909093801	10/12/14/16D - FRONT DISC SECTION	5
0909093802	10/12/14/16D - REAR DISC SECTION	6
0909093806	18D - FRONT DISC SECTION	7
0909093807	18D - REAR DISC SECTION	8
0909093804	20/22/24D - FRONT DISC SECTION	9
0909093805	20/22/24D - REAR DISC SECTION	10
0501046914	CM GX 9" 1-5/8" SD PR BEARING ASSY	11
0501042689	CM AT 9" 1-5/8" CF BEARING ASSY	12
0501046923	9"X 1-5/8" OIL BATH BEARING	13



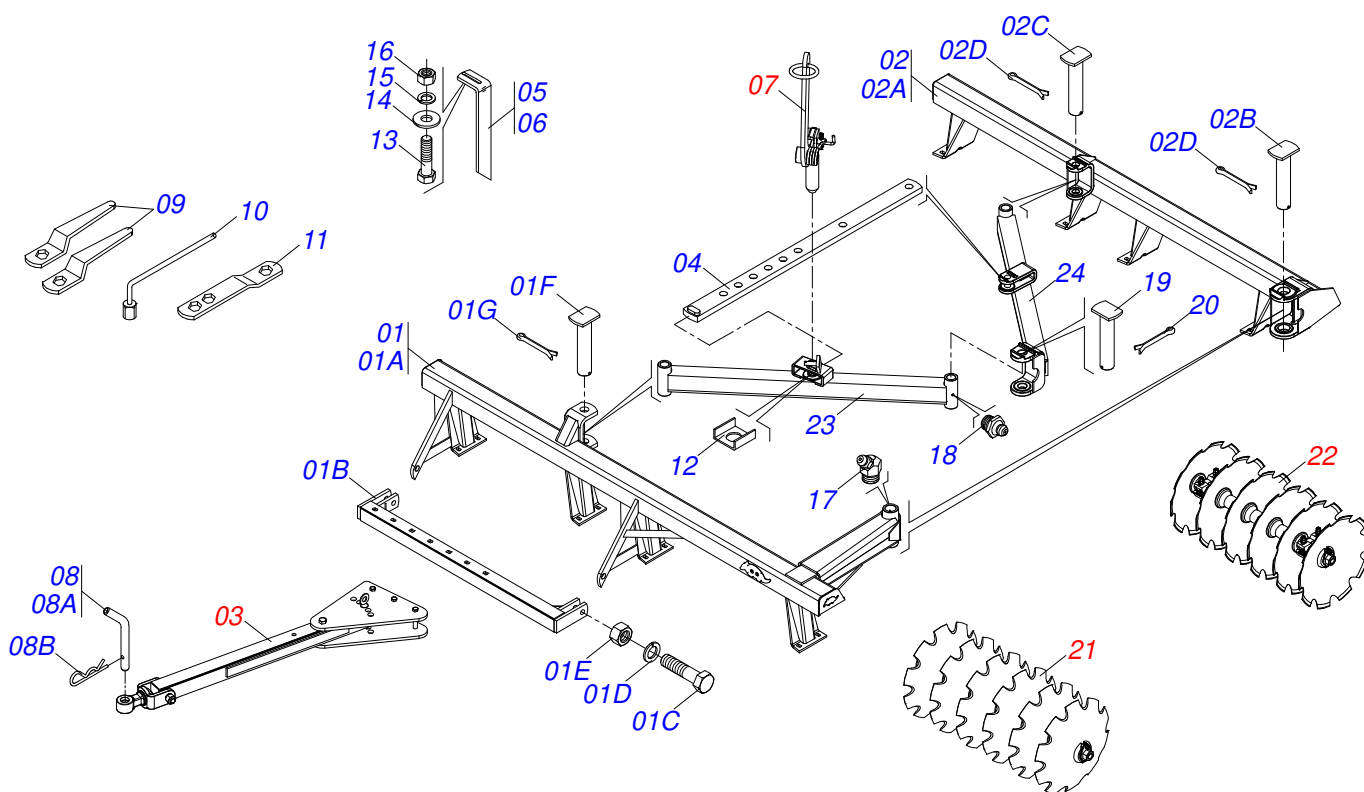
Item	Code	Description	See page	10	12	14	16
01	0501047584	ASSY FRONT FRAME		01	00	00	00
01.	0501047585	CHASIS DELANTERO COMPLETO		00	01	00	00
01..	0501047586	ASSY FRONT FRAME		00	00	01	00
01...	0501047587	ASSY FRONT FRAME		00	00	00	01
01A	0501064185	FRONT FRAME		01	00	00	00
01A.	0501064187	FRONT FRAME		00	01	00	00
01A..	0501064191	FRAME FRONT		00	00	01	00
01A...	0501063210	FRAME FRONT		00	00	00	01
01B	0501064202	OFFSET BAR		01	00	00	01
01B.	0501064203	OFFSET BAR		00	01	00	00
01B..	0501064204	OFFSET BAR		00	00	01	00
01C	0501011547	1" X 4-1/2" BOLT		02	02	02	02
01D	0503011438	SPRING WASHER		02	02	02	02
01E	0501010059	1.5/8 NUT		02	02	02	02
02	0501042636	ASSY REAR FRAME		01	00	00	00
02.	0501042637	REAR FRAME		00	01	00	00
02..	0501042638	REAR FRAME		00	00	01	00
02...	0501042639	REAR FRAME		00	00	00	01
02A	0501064184	REAR FRAME		01	00	00	00
02A.	0501064186	REAR FRAME		00	01	00	00
02A..	0501064190	REAR FRAME		00	00	01	00
02A...	0501063036	REAR FRAME		00	00	00	01
02B	0501065487	2.4" X 123" COUPLING SHAFT		01	01	01	01
02C	0503010073	3/8 X 3-1/2 COTTERPIN		01	01	01	01
02D	0503011432	BOLT		01	01	01	01
02E	0503011438	SPRING WASHER		01	01	01	01
02F	0501010059	1.5/8 NUT		01	01	01	01
03	0501042816	ASSY TRACTION BAR	3	01	01	01	01
04	0501064196	ADJUSTMENT BAR		01	01	01	01
05	0501064168	REAR SCRAPER		02	03	04	04
06	0501064167	REAR SCRAPER		02	03	04	04



10/12/14/16D - ASSY FRAME

0909093800

Item	Code	Description	See page	10	12	14	16
07	0501047858	ADJUSTMENT LEVER ASSY	4	01	01	01	01
08	0501040343	DRAWBOLT ASSY		01	01	01	01
08A	0521010453	AXI SHAFT		01	01	01	01
08B	0503031035	HAIR PIN		01	01	01	01
09	0501011431	1-3/4" GANG BOLT WRENCH		02	02	02	02
10	0503016140	3/4" WRENCH CABLE CYLINDRICAL		01	01	01	01
11	0511018451	5/8" X 3/4" X 1" UNIVERSAL		01	01	01	01
12	0501011649	U 1.2" X 3.1" X 3/16" BAR		01	01	01	01
13	0503011082	C1/2" X 1.3/4" SCREW		08	12	16	16
14	0511017302	FLAT WASHER		08	12	16	16
15	0503010019	1/2" SPRING WASHER		08	12	16	16
16	0503010060	1/2" NUT		08	12	16	16
17	0503010003	1845 GREASE FITTING		01	01	01	01
18	0909093801	10/12/14/16D - FRONT DISC SECTION	5	01	01	01	01
19	0909093802	10/12/14/16D - REAR DISC SECTION	6	01	01	01	01



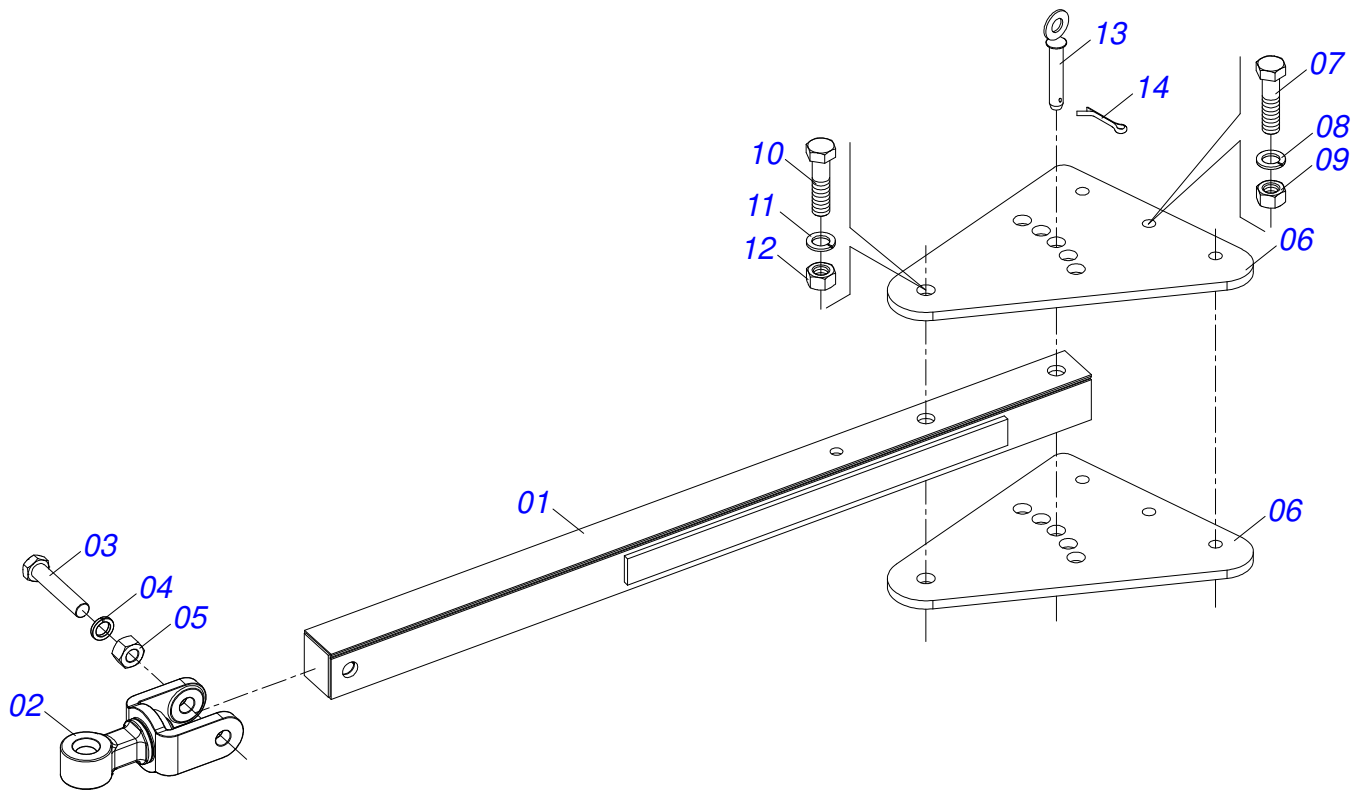
Item	Code	Description	See page	18	20	22	24
01	0501042640	FRONT FRAME ASSY		01	00	00	00
01.	0501042642	FRONT FRAME ASSY		00	01	00	00
01..	0501042644	FRONT FRAME ASSY		00	00	01	00
01...	0501042646	FRONT FRAME ASSY		00	00	00	01
01A	0501063240	FRONT FRAME		01	00	00	00
01A.	0501062515	FRONT FRAME		00	01	00	00
01A..	0501062343	FRONT FRAME		00	00	01	00
01A...	0501062499	FRONT FRAME		00	00	00	01
01B	0501064203	OFFSET BAR		01	00	00	00
01B.	0501064204	OFFSET BAR		00	01	00	00
01B..	0501064205	OFFSET BAR		00	00	01	01
01C	0501011547	1" X 4-1/2" BOLT		02	02	02	02
01D	0503011438	SPRING WASHER		02	02	02	02
01E	0501010059	1.5/8 NUT		02	02	02	02
01F	0521010644	1.5" X 8.4" COUPLING SHAFT		02	01	01	01
01G	0503010534	3/8 X 2-1/2 COTTERPIN		02	01	01	01
02	0501042641	REAR GANG FRAME		01	00	00	00
02.	0501042643	REAR FRAME ASSY		00	01	00	00
02..	0501042645	REAR FRAME ASSY		00	00	01	00
02...	0501042647	REAR FRAME ASSY		00	00	00	01
02A	0501062792	REAR FRAME		01	00	00	00
02A.	0501062514	REAR FRAME		00	01	00	00
02A..	0501062315	REAR FRAME		00	00	01	00
02A...	0501062512	REAR FRAME		00	00	00	01
02B	0501065487	2.4" X 123" COUPLING SHAFT		01	01	01	01
02C	0521010644	1.5" X 8.4" COUPLING SHAFT		01	01	01	01
02D	0503010073	3/8 X 3-1/2 COTTERPIN		01	01	01	02
02D.	0503010534	3/8 X 2-1/2 COTTERPIN		01	01	01	01
03	0501042816	ASSY TRACTION BAR	3	01	01	01	01
04	0501064197	38" ADJUSTMENT BAR		01	01	01	01
05	0501064168	REAR SCRAPER		05	05	06	07



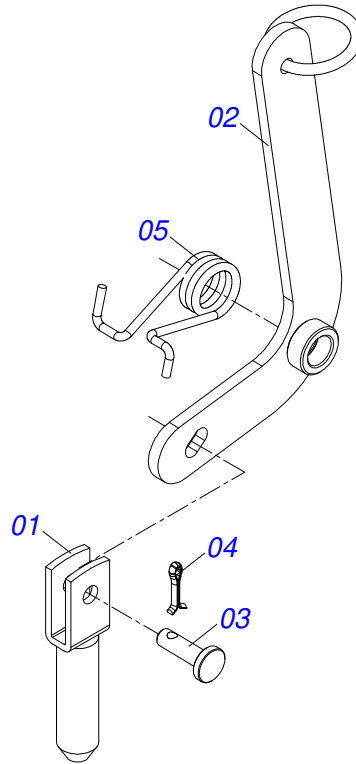
18/20/22/24D - ASSY FRAME

0909093803

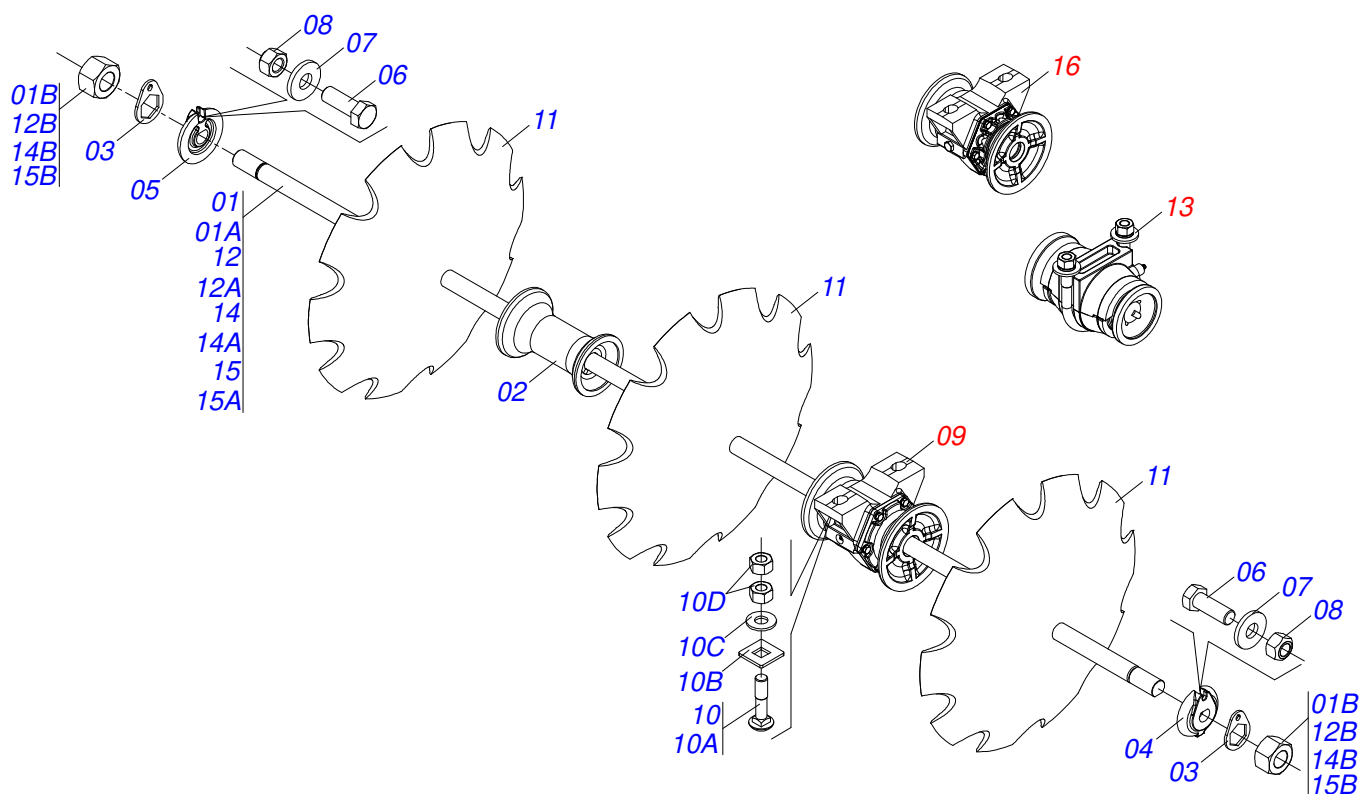
Item	Code	Description	See page	18	20	22	24
06	0501064167	REAR SCRAPER		05	05	06	07
07	0501047858	ADJUSTMENT LEVER ASSY	4	01	01	01	01
08	0501040343	DRAWBOLT ASSY		01	01	01	01
08A	0521010453	AXI SHAFT		01	01	01	01
08B	0503031035	HAIR PIN		01	01	01	01
09	0501011431	1-3/4" GANG BOLT WRENCH		02	02	02	02
10	0503016140	3/4" WRENCH CABLE CYLINDRICAL		01	01	01	01
11	0511018451	5/8" X 3/4" X 1" UNIVERSAL		01	01	01	01
12	0501011649	U 1.2" X 3.1" X 3/16" BAR		01	01	01	01
13	0503010740	BOLT 1/2 UNC X 2 CS G.5 ZN		20	20	24	24
14	0511017302	FLAT WASHER		20	20	24	24
15	0503010019	1/2" SPRING WASHER		20	20	24	24
16	0503010060	1/2" NUT		20	20	24	24
17	0503010003	1845 GREASE FITTING		01	01	01	01
18	0503010002	1800 GREASE FITTING		03	03	03	03
19	0521010644	1.5" X 8.4" COUPLING SHAFT		01	01	01	01
20	0503010534	3/8 X 2-1/2 COTTERPIN		01	01	01	01
21	0909093806	18D - FRONT DISC SECTION	7	01	00	00	00
21.	0909093804	20/22/24D - FRONT DISC SECTION	9	00	01	01	01
22	0909093807	18D - REAR DISC SECTION	8	01	00	00	00
22.	0909093805	20/22/24D - REAR DISC SECTION	10	00	01	01	01
23	0501062506	FRONT STABILIZER BAR		01	01	01	01
24	0501062508	REAR STABILIZER BAR		01	01	01	01



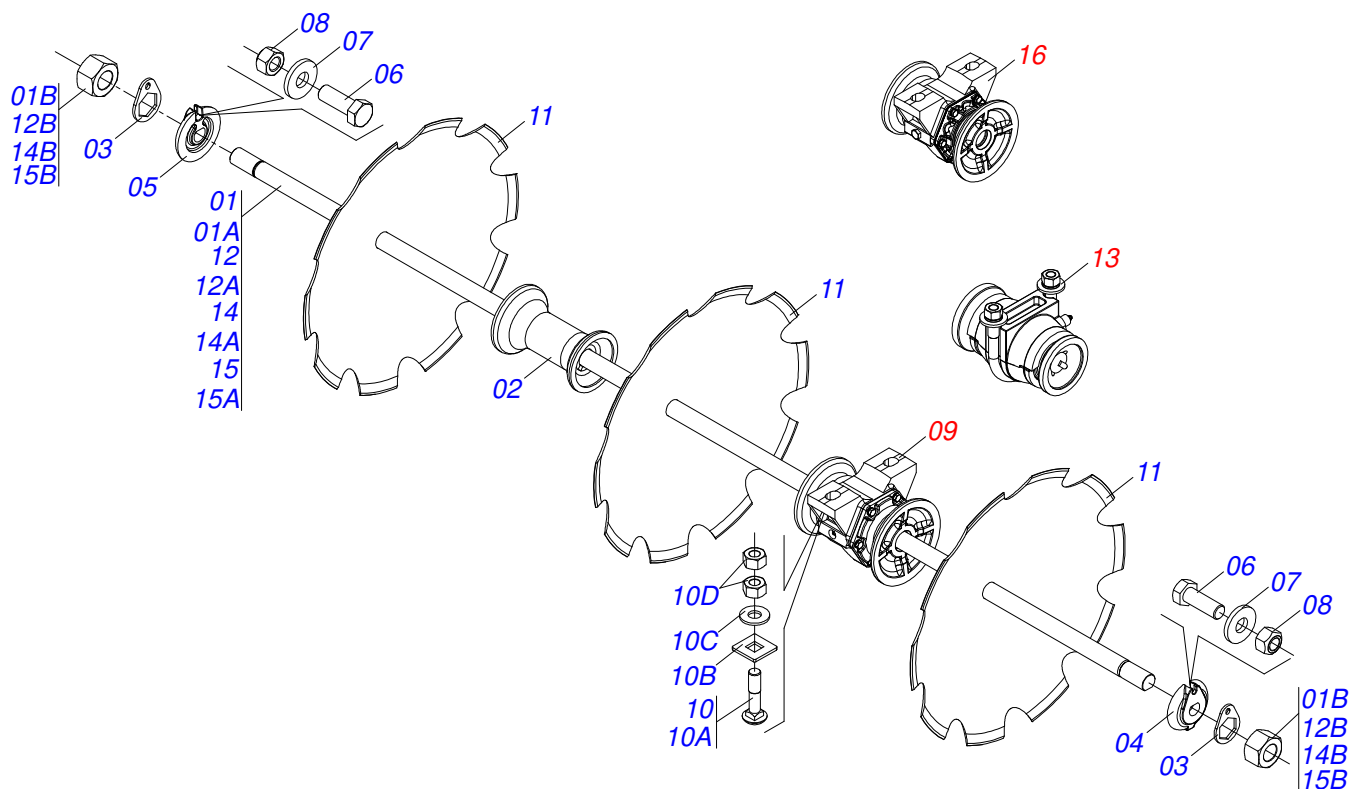
Item	Code	Description	See page	QT
01	0501060188	DRAWBAR ASSY		01
02	0521061775	TRACTOR HITCH		01
03	0501010060	1" X 6-1/2" BOLT		01
04	0503011438	SPRING WASHER		01
05	0501010059	1.5/8 NUT		01
06	0501010241	UPPER /LOWER PLATE		02
07	0503011198	C3/4" X 6" SCREW		03
08	0503011442	3/4" SPRING WASHER		03
09	0503010014	3/4" NUT		03
10	0501010191	1" X 6" BOLT		01
11	0503011438	SPRING WASHER		01
12	0501010059	1.5/8 NUT		01
13	0501068993	0.9" X 5.5" COUPLING SHAFT		01
14	0503010571	1/4" X 1.1/2 COTTERPIN		01



Item	Code	Description	See page	QT
01	0501060185	ADJUSTMENT LOCK		01
02	0501068981	ADJUSTMENT LEVER		01
03	0521010624	0.4" X 1.5" COUPLING SHAFT		01
04	0503010071	3/16" X 1" COTTERPIN		01
05	0503030025	1.4" X 0.2" TORSION SPRING		01

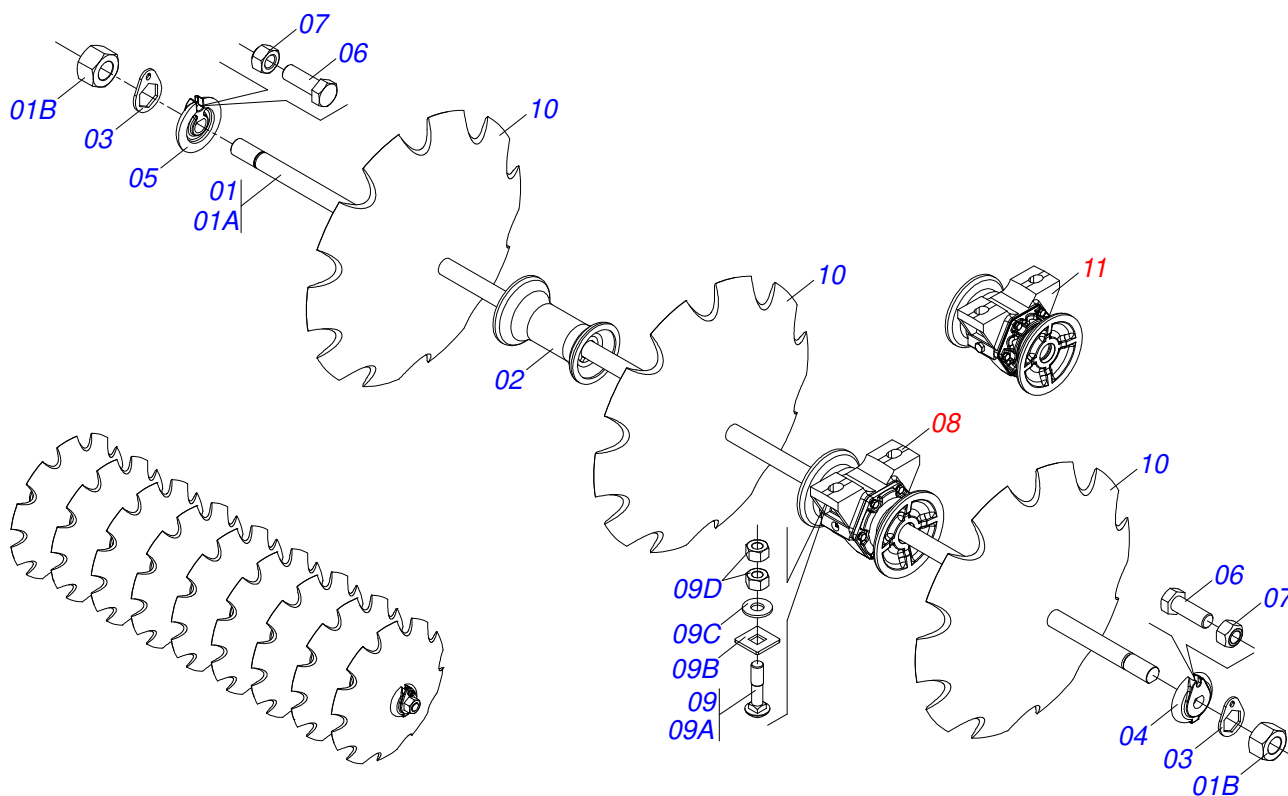


Item	Code	Description	See page	10	12	14	16
01	0501046855	1-5/8" X 52" AXLE WITH NUTS 2-3/4		00	01	00	00
01A	0501015237	1-5/8" X 52" AXLE		00	01	00	00
01B	0502040640	1.5/8" 2.3/4" NUT		00	02	00	00
02	0502010626	8.9" 1-5/8" SPACER		02	02	04	04
03	0511014339	1-5/8" 2.8" NUT LOCK		02	02	02	02
04	0502011048	1-5/8" EXTERNAL AXLE WASHER		01	01	01	01
05	0502011047	1-5/8" INNER AXLE WASHER		01	01	01	01
06	0503011267	BOLT 5/8 UNC X 1.1/2 C S G.5 ZN		02	02	02	02
07	0501012140	FLAT WASHER		02	02	02	02
08	0503012412	5/8 UNC SELF LOCKING NUT		02	02	02	02
09	0501046914	CM GX 9" 1-5/8" SD PR BEARING ASSY	11	02	02	02	03
10	0511040034	3/4" X 3-1/4" BOLT ASSY		00	04	04	06
10A	0501017303	3/4" X 3-1/4" BOLT		00	04	04	06
10B	0501010949	3/4" SQUARE WASHER		00	04	04	06
10C	0501010322	FLAT WASHER		00	04	04	06
10D	0503010014	3/4" NUT		00	08	08	12
11	0602030002	NOTCHED DISC BLADE		05	06	07	08
11.	0602030005	24" X 0.2" NOTCHED DISC BLADE		05	06	07	08
11..	0602033005	26" X 0.2" NOTCHED DISC BLADE		05	06	07	08
11...	0602037004	28" X 0.2" NOTCHED DISC BLADE		05	06	07	08
12	0501046853	1-5/8" X 43" AXLE WITH NUTS 2-3/4		01	00	00	00
12A	0501015029	1-5/8" X 43" AXLE		01	00	00	00
12B	0502040640	1.5/8" 2.3/4" NUT		02	00	00	00
13	0501042689	CM AT 9" 1-5/8" CF BEARING ASSY	12	02	00	00	00
14	0501046857	1-5/8" X 61" AXLE WITH NUTS 2-3/4"		00	00	01	00
14A	0501015632	1-5/8" X 61" AXLE		00	00	01	00
14B	0502040640	1.5/8" 2.3/4" NUT		00	00	02	00
15	0501046859	1-5/8" X 70" AXLE WITH NUTS 2-3/4"		00	00	00	01
15A	0501015631	1-5/8" X 70" AXLE		00	00	00	01
15B	0502040640	1.5/8" 2.3/4" NUT		00	00	00	02
16	0501046923	9"X 1-5/8" OIL BATH BEARING	13	02	02	02	03



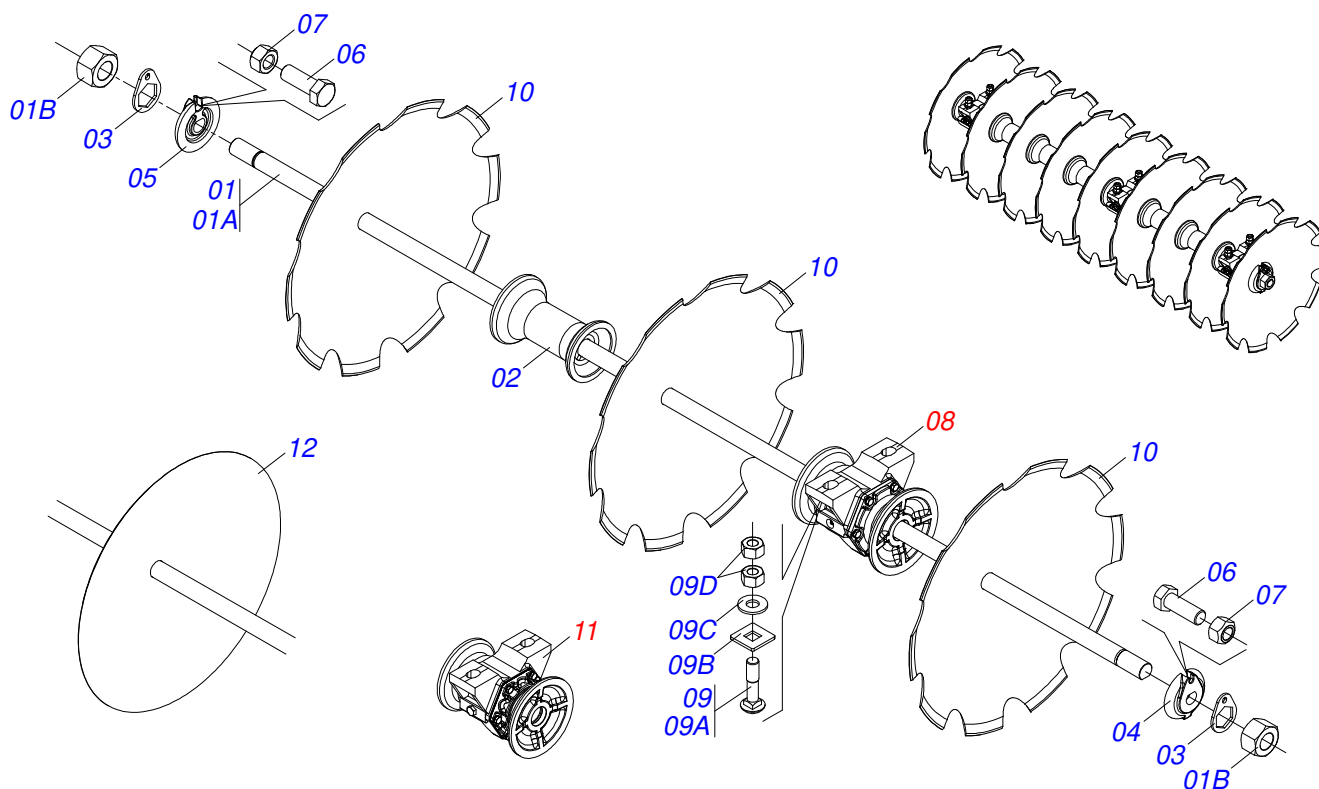
Item	Code	Description	See page	10	12	14	16
01	0501046855	1-5/8" X 52" AXLE WITH NUTS 2-3/4		00	01	00	00
01A	0501015237	1-5/8" X 52" AXLE		00	01	00	00
01B	0502040640	1.5/8" 2.3/4" NUT		00	02	00	00
02	0502010626	8.9" 1-5/8" SPACER		02	02	04	04
03	0511014339	1-5/8" 2.8" NUT LOCK		02	02	02	02
04	0502011047	1-5/8" INNER AXLE WASHER		01	01	01	01
05	0502011048	1-5/8" EXTERNAL AXLE WASHER		01	01	01	01
06	0503011267	BOLT 5/8 UNC X 1.1/2 C S G.5 ZN		02	02	02	02
07	0501012140	FLAT WASHER		02	02	02	02
08	0503012412	5/8 UNC SELF LOCKING NUT		02	02	02	02
09	0501046914	CM GX 9" 1-5/8" SD PR BEARING ASSY	11	02	02	02	03
10	0511040034	3/4" X 3-1/4" BOLT ASSY		00	04	04	06
10A	0501017303	3/4" X 3-1/4" BOLT		00	04	04	06
10B	0501010949	3/4" SQUARE WASHER		00	04	04	06
10C	0501010322	FLAT WASHER		00	04	04	06
10D	0503010014	3/4" NUT		00	08	08	12
11	0602030002	NOTCHED DISC BLADE		05	06	07	08
11.	0602030005	24" X 0.2" NOTCHED DISC BLADE		05	06	07	08
11..	0602033005	26" X 0.2" NOTCHED DISC BLADE		05	06	07	08
11...	0602037004	28" X 0.2" NOTCHED DISC BLADE		05	06	07	08
12	0501046853	1-5/8" X 43" AXLE WITH NUTS 2-3/4		01	00	00	00
12A	0501015029	1-5/8" X 43" AXLE		01	00	00	00
12B	0502040640	1.5/8" 2.3/4" NUT		02	00	00	00
13	0501042689	CM AT 9" 1-5/8" CF BEARING ASSY	12	02	00	00	00
14	0501046857	1-5/8" X 61" AXLE WITH NUTS 2-3/4"		00	00	01	00
14A	0501015632	1-5/8" X 61" AXLE		00	00	01	00
14B	0502040640	1.5/8" 2.3/4" NUT		00	00	02	00
15	0501046859	1-5/8" X 70" AXLE WITH NUTS 2-3/4"		00	00	00	01
15A	0501015631	1-5/8" X 70" AXLE		00	00	00	01
15B	0502040640	1.5/8" 2.3/4" NUT		00	00	00	02
16	0501046923	9"X 1-5/8" OIL BATH BEARING	13	02	02	02	03

18D - FRONT DISC SECTION

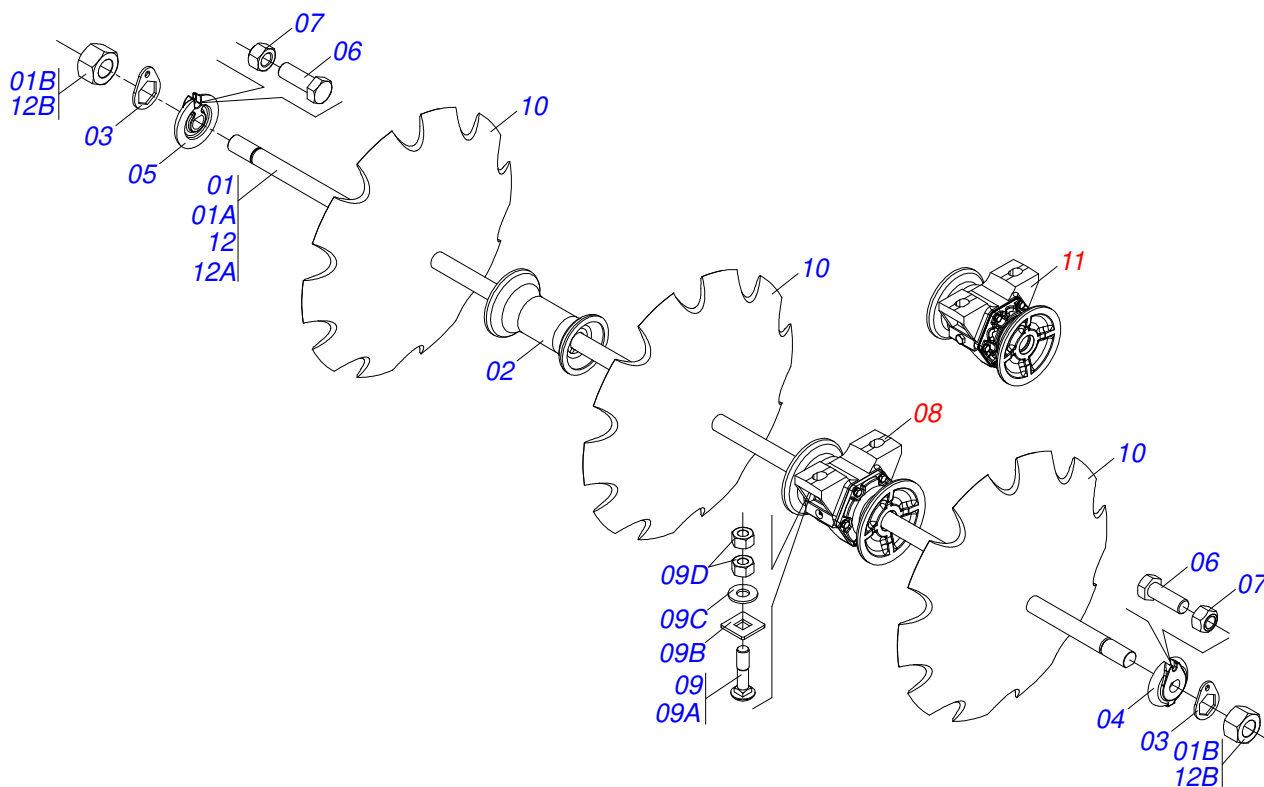


Item	Code	Description	See page	QT
01	0501046860	1-5/8" X 79" AXLE WITH NUTS 2-3/4"		01
01A	0501015329	1-5/8 X 79" AXLE		01
01B	0502040640	1.5/8" 2.3/4" NUT		02
02	0502010626	8.9" 1-5/8" SPACER		05
03	0511014339	1-5/8" 2.8" NUT LOCK		02
04	0502011048	1-5/8" EXTERNAL AXLE WASHER		01
05	0502011047	1-5/8" INNER AXLE WASHER		01
06	0503011267	BOLT 5/8 UNC X 1.1/2 C S G.5 ZN		02
07	0503012412	5/8 UNC SELF LOCKING NUT		02
08	0501046914	CM GX 9" 1-5/8" SD PR BEARING ASSY	11	03
09	0511040034	3/4" X 3-1/4" BOLT ASSY		06
09A	0501017303	3/4" X 3-1/4" BOLT		06
09B	0501010949	3/4" SQUARE WASHER		06
09C	0501010322	FLAT WASHER		06
09D	0503010014	3/4" NUT		12
10	0602030005	24" X 0.2" NOTCHED DISC BLADE		09
10.	0602033005	26" X 0.2" NOTCHED DISC BLADE		09
10..	0602037004	28" X 0.2" NOTCHED DISC BLADE		09
11	0501046923	9"X 1-5/8" OIL BATH BEARING	13	03

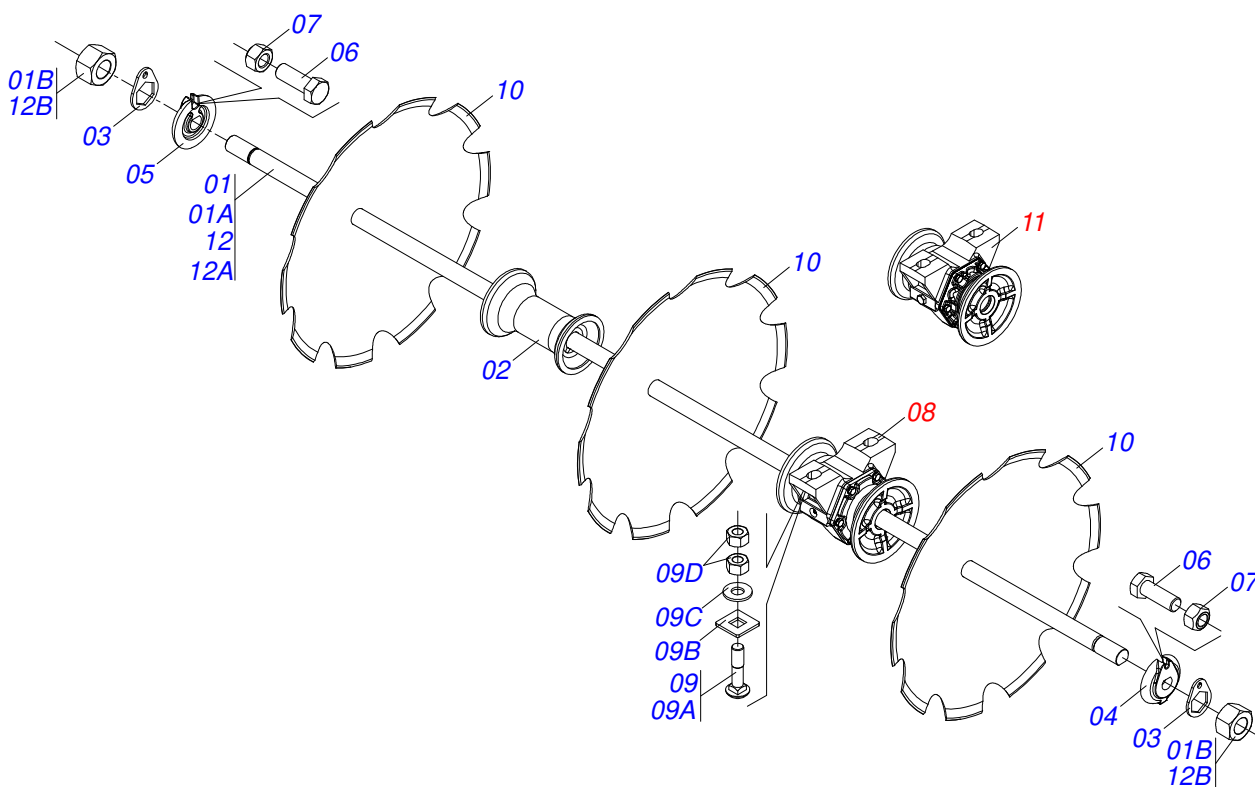
18D - REAR DISC SECTION



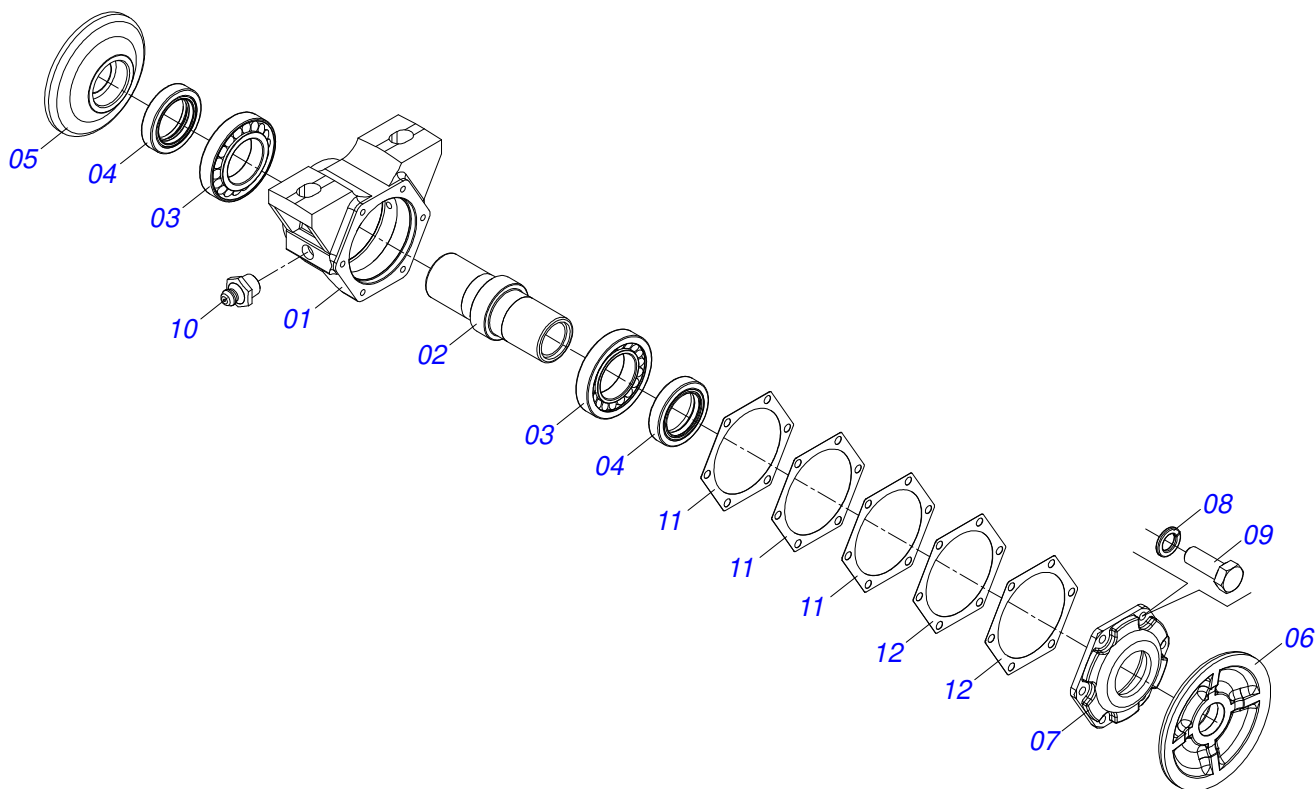
Item	Code	Description	See page	QT
01	0501046860	1-5/8" X 79" AXLE WITH NUTS 2-3/4"		01
01A	0501015329	1-5/8 X 79" AXLE		01
01B	0502040640	1.5/8" 2.3/4" NUT		02
02	0502010626	8.9" 1-5/8" SPACER		05
03	0511014339	1-5/8" 2.8" NUT LOCK		02
04	0502011047	1-5/8" INNER AXLE WASHER		01
05	0502011048	1-5/8" EXTERNAL AXLE WASHER		01
06	0503011267	BOLT 5/8 UNC X 1.1/2 C S G.5 ZN		02
07	0503012412	5/8 UNC SELF LOCKING NUT		02
08	0501046914	CM GX 9" 1-5/8" SD PR BEARING ASSY	11	03
09	0511040034	3/4" X 3-1/4" BOLT ASSY		06
09A	0501017303	3/4" X 3-1/4" BOLT		06
09B	0501010949	3/4" SQUARE WASHER		06
09C	0501010322	FLAT WASHER		06
09D	0503010014	3/4" NUT		12
10	0602030005	24" X 0.2" NOTCHED DISC BLADE		09
10.	0602033005	26" X 0.2" NOTCHED DISC BLADE		09
10..	0602037004	28" X 0.2" NOTCHED DISC BLADE		09
11	0501046923	9"X 1-5/8" OIL BATH BEARING	13	03
12	0601030005	24" X 0.2" PLAIN DISC BLADE		09



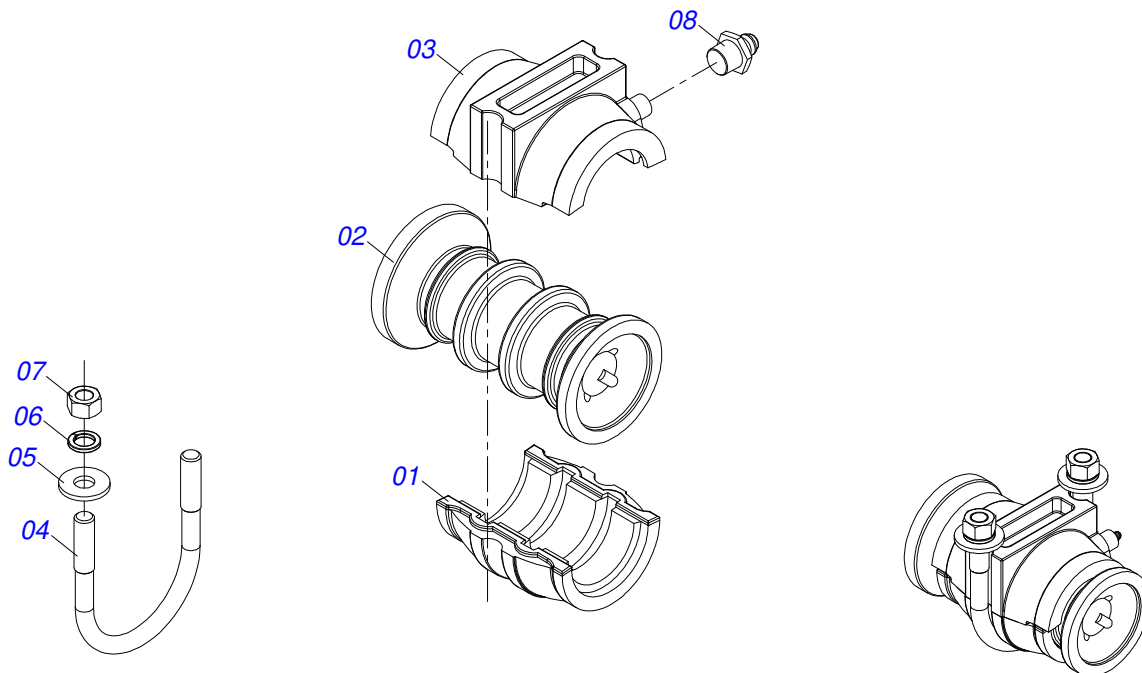
Item	Code	Description	See page	20	22	24
01	0501046853	1-5/8" X 43" AXLE WITH NUTS 2-3/4		02	01	00
01A	0501015029	1-5/8" X 43" AXLE		02	01	00
01B	0502040640	1.5/8" 2.3/4" NUT		04	02	00
02	0502010626	8.9" 1-5/8" SPACER		04	05	06
03	0511014339	1-5/8" 2.8" NUT LOCK		04	04	04
04	0502011048	1-5/8" EXTERNAL AXLE WASHER		02	02	02
05	0502011047	1-5/8" INNER AXLE WASHER		02	02	02
06	0503011267	BOLT 5/8 UNC X 1.1/2 C S G.5 ZN		04	04	04
07	0503012412	5/8 UNC SELF LOCKING NUT		04	04	04
08	0501046914	CM GX 9" 1-5/8" SD PR BEARING ASSY	11	04	04	04
09	0511040034	3/4" X 3-1/4" BOLT ASSY		08	08	08
09A	0501017303	3/4" X 3-1/4" BOLT		08	08	08
09B	0501010949	3/4" SQUARE WASHER		08	08	08
09C	0501010322	FLAT WASHER		08	08	08
09D	0503010014	3/4" NUT		16	16	16
10	0602030005	24" X 0.2" NOTCHED DISC BLADE		10	11	12
10.	0602033005	26" X 0.2" NOTCHED DISC BLADE		10	11	12
10..	0602037004	28" X 0.2" NOTCHED DISC BLADE		10	11	12
10...	0602037006	DR28X7,5 C102AF04FR1.11/16 10R TATU		10	00	00
11	0501046923	9"X 1-5/8" OIL BATH BEARING	13	04	04	04
12	0501046855	1-5/8" X 52" AXLE WITH NUTS 2-3/4		00	01	02
12A	0501015237	1-5/8" X 52" AXLE		00	01	02
12B	0502040640	1.5/8" 2.3/4" NUT		00	02	04



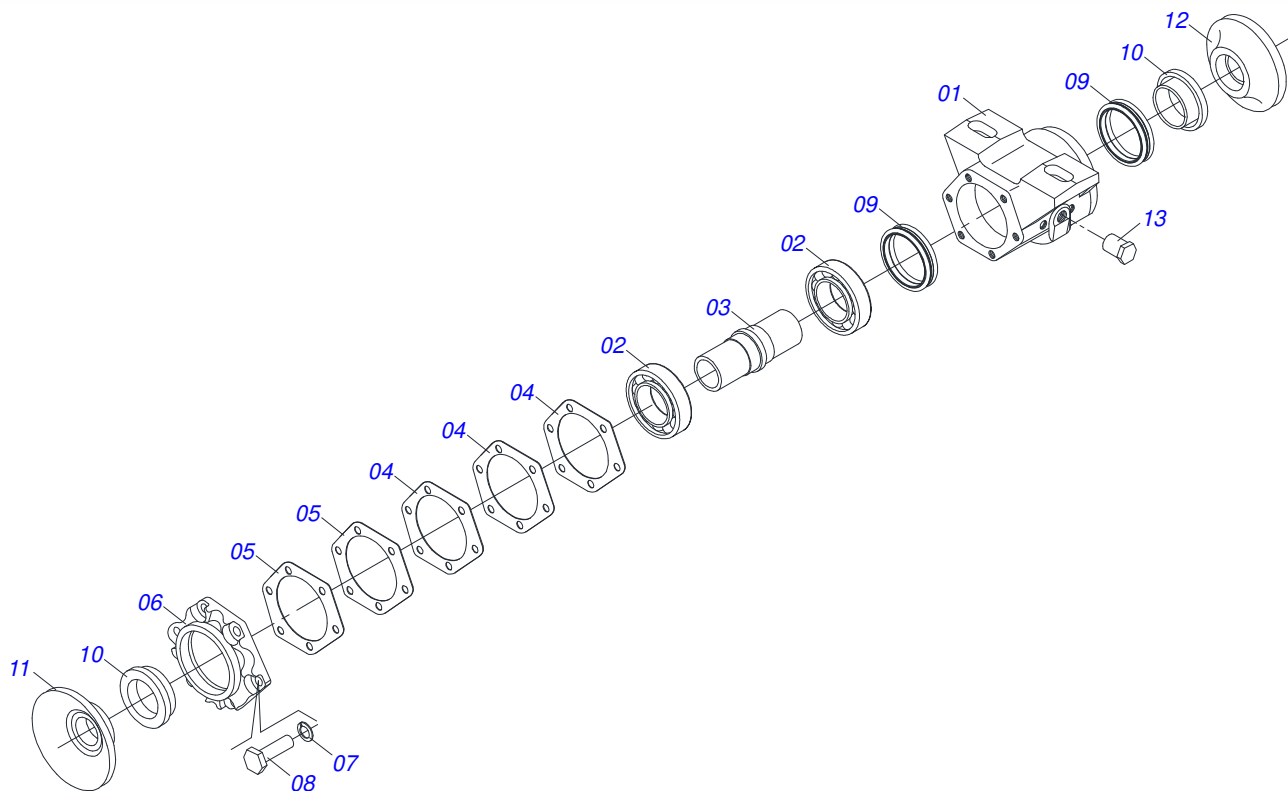
Item	Code	Description	See page	20	22	24
01	0501046853	1-5/8" X 43" AXLE WITH NUTS 2-3/4		02	01	00
01A	0501015029	1-5/8" X 43" AXLE		02	01	00
01B	0502040640	1.5/8" 2.3/4" NUT		04	02	00
02	0502010626	8.9" 1-5/8" SPACER		04	05	06
03	0511014339	1-5/8" 2.8" NUT LOCK		04	04	04
04	0502011047	1-5/8" INNER AXLE WASHER		02	02	02
05	0502011048	1-5/8" EXTERNAL AXLE WASHER		02	02	02
06	0503011267	BOLT 5/8 UNC X 1.1/2 C S G.5 ZN		04	04	04
07	0503012412	5/8 UNC SELF LOCKING NUT		04	04	04
08	0501046914	CM GX 9" 1-5/8" SD PR BEARING ASSY	11	04	04	04
09	0511040034	3/4" X 3-1/4" BOLT ASSY		08	08	08
09A	0501017303	3/4" X 3-1/4" BOLT		08	08	08
09B	0501010949	3/4" SQUARE WASHER		08	08	08
09C	0501010322	FLAT WASHER		08	08	08
09D	0503010014	3/4" NUT		16	16	16
10	0602030005	24" X 0.2" NOTCHED DISC BLADE		10	11	12
10.	0602033005	26" X 0.2" NOTCHED DISC BLADE		10	11	12
10..	0602037004	28" X 0.2" NOTCHED DISC BLADE		10	11	12
10...	0602037006	DR28X7,5 C102AF04FR1.11/16 10R TATU		10	00	00
11	0501046923	9"X 1-5/8" OIL BATH BEARING	13	04	04	04
12	0501046855	1-5/8" X 52" AXLE WITH NUTS 2-3/4		00	01	02
12A	0501015237	1-5/8" X 52" AXLE		00	01	02
12B	0502040640	1.5/8" 2.3/4" NUT		00	02	04



Item	Code	Description	See page	QT
01	0502020448	HOUSING CM		01
02	0502010639	AXLE FOR CM/DM		01
03	0503010113	30212 ROLLER BEARING		02
04	0503010327	SEAL 00556-GB		02
05	0502040240	INNER FLANGE		01
06	0502040239	OUTER FLANGE		01
07	0502020457	HOUSING CAP CM		01
08	0503011443	3/8" SPRING WASHER		06
09	0503010237	3/8" X 1" BOLT		06
10	0503010002	1800 GREASE FITTING		02
11	0503031972	137 X 113,2 X 0,3 JOINT		03
12	0503031973	137 X 113,2 X 0,1 JOINT		02



Item	Code	Description	See page	QT
01	0502030003	LOWER COVER HOUSING		01
02	0502030035	REEL 8.86"		01
03	0502030001	UPPER COVER HOUSING		01
04	0521010662	3/4 UNC X 197 X 157 MA243 FASTEN		01
05	0501010322	FLAT WASHER		02
06	0503010023	3/4" SPRING WASHER		02
07	0503010014	3/4" NUT		02
08	0503010002	1800 GREASE FITTING		02



Item	Code	Description	See page	QT
01	0502020445	HOUSING DM		01
02	0503010113	30212 ROLLER BEARING		02
03	0502010639	AXLE FOR CM/DM		01
04	0503031972	137 X 113,2 X 0,3 JOINT		03
05	0503031973	137 X 113,2 X 0,1 JOINT		02
06	0502012445	BEARING COVER BOX (BOX SLIGHTLY)		01
07	0503011443	3/8" SPRING WASHER		06
08	0503010237	3/8" X 1" BOLT		06
09	0503030027	DUO-CONE SEAL		02
10	0502010633	SEAL RETAINER		02
11	0502040239	OUTER FLANGE		01
12	0502040240	INNER FLANGE		01
13	0503010856	OIL PLUG		01



www.marchesan.com.br



Technical Publications | Elaboration and Revision
ALESSANDRA PATRICIA KAWAHARA CARRILI