

CULTIVATORS

CD - 16D

Code: 0501092134

Series: S-0281

Revision: 00

Date Revision: ABRIL/2018

PARTS CATALOGUE



MARCHESAN



PRODUCTS

Code	Description	
0109030003	CD 16 X 18" X 3,00 CM	S-0281
0109030001	CD 16 X 18" X 3,00 MA	S-0281
0109030004	CD 16 X 20" X 3,50 CM	S-0281
0109030006	CD 16 X 20" X 3,50 DM	S-0281
0109030002	CD 16 X 20" X 3,50 MA	S-0281
0109030013	CD 16 X 22 X 4,50 CM	S-0281
0109030010	CD 16 X 22" X 4,50 DM	S-0281
0109030015	CD 16 X 22" X 6,00 DM	S-0281

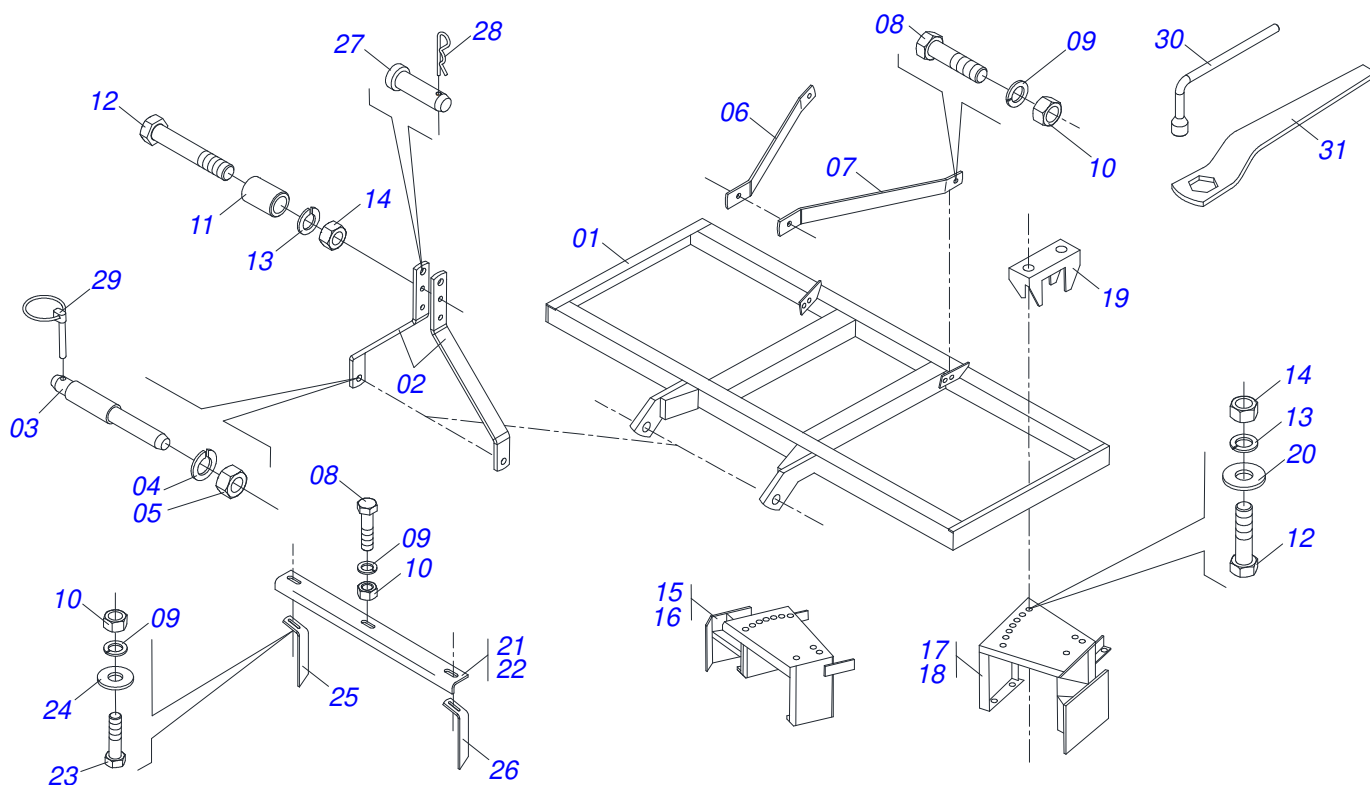
ATTENTION: IMPORTANT

Marchesan S.A. reserves the right to improve and / or modify the technical features of its products, without obligation to do the same with those products already sold and without prior knowledge of the dealer or the consumer.

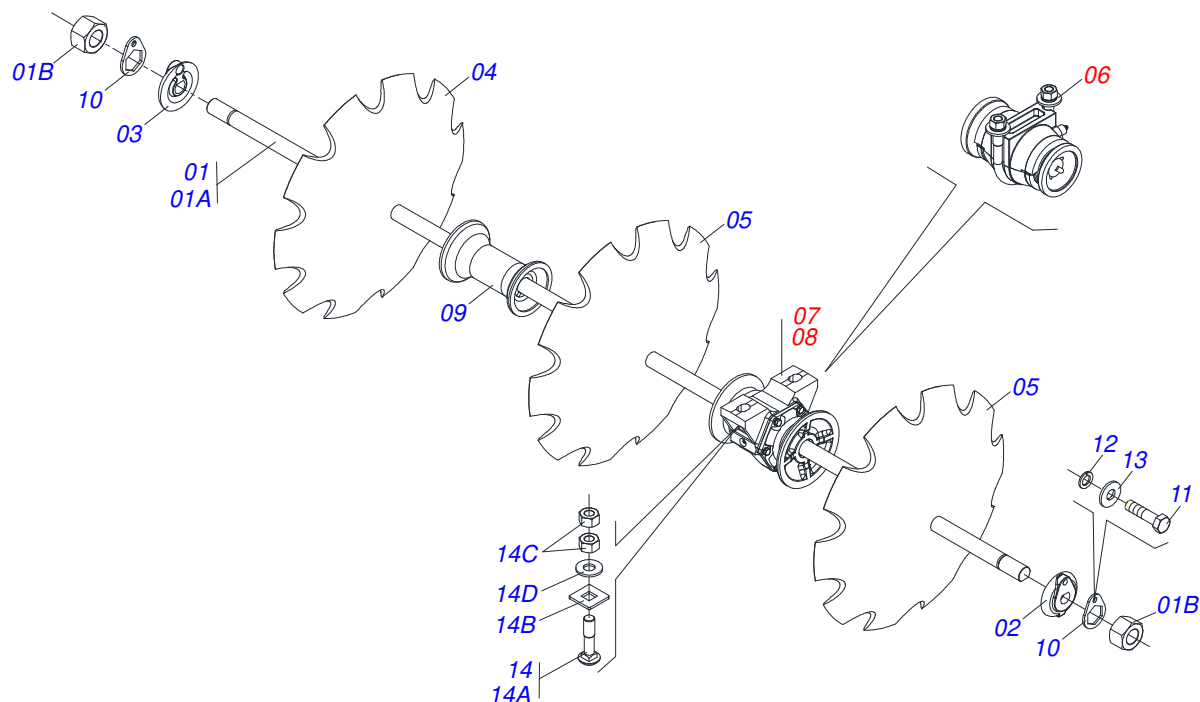


INDEX

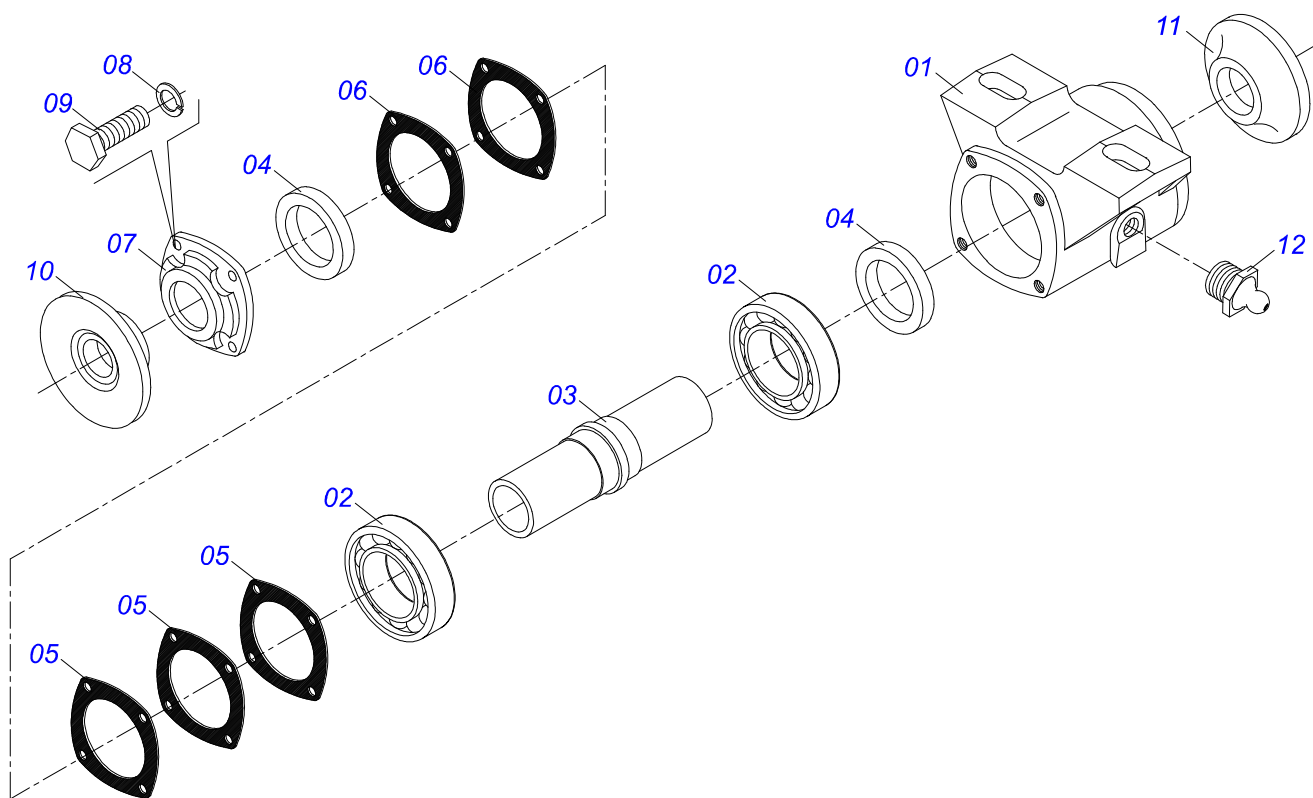
0909093824	ASSEMBLY FRAME	1
0909093809	DISC GANG SECTION	2
0501046911	CM GX 7" 1-1/4" PR BEARING ASSY	3
0501040301	FRICTION BEARING	4



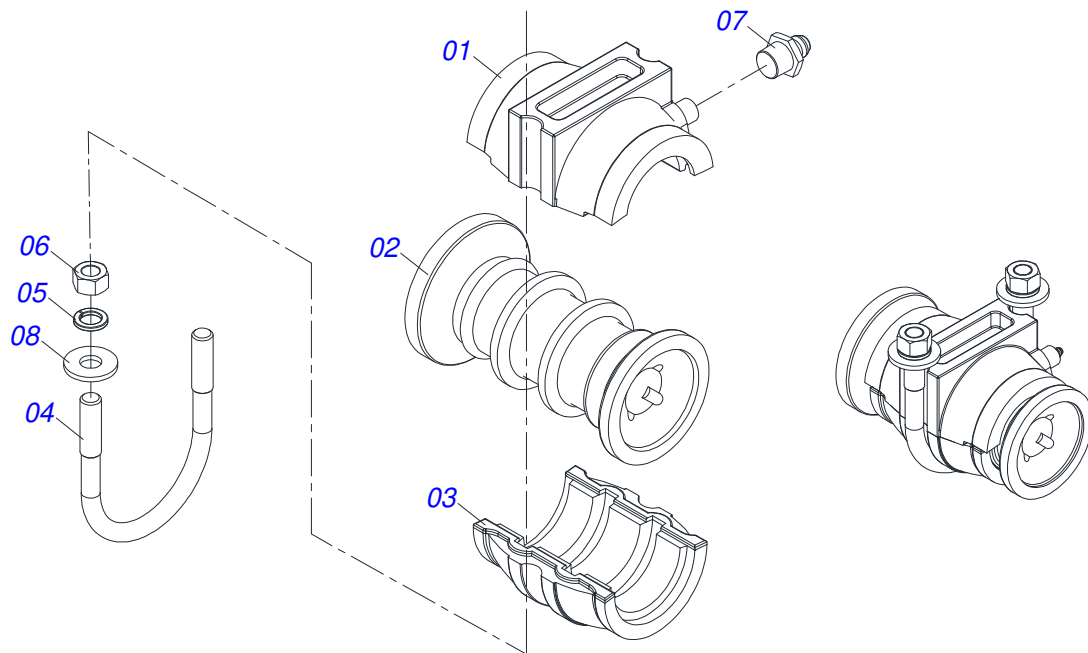
Item	Code	Description	See page	QT
01	0501061065	FRAME ASSY	01	01
02	0501010410	SEMI CAB	02	02
03	0521010636	2" X 5.7" COUPLING SHAFT	02	02
04	0503010012	1" SPRING WASHER	02	02
05	0503010340	1" NUT	02	02
06	0501010406	RIGHT ATTACHMENT BAR	01	01
07	0501010409	LEFT ATTACHMENT BAR	01	01
08	0503010920	1/2" X 1.1/2" BOLT	12	12
09	0503010019	1/2" SPRING WASHER	16	16
10	0503010060	1/2" NUT	16	16
11	0521010490	SLEEVE SPACER	01	01
12	0503011198	C3/4" X 6" SCREW	17	17
13	0503010023	3/4" SPRING WASHER	17	17
14	0503010014	3/4" NUT	17	17
15	0501061178	RIGHT FRONT BRACKET	01	01
16	0501061067	RIGHT FRONT BRACKET REAR LEFT	01	01
17	0501061179	RH FRONT REAR BRACKET	01	01
18	0501061068	RH FRONT REAR BRACKET	01	01
19	0501010747	FIXER BRACKET	08	08
20	0501010322	FLAT WASHER	16	16
21	0501018613	BAR FIXER SCRAPER	02	02
22	0501018614	BAR FIXER SCRAPER	02	02
23	0503010740	BOLT 1/2 UNC X 2 CS G.5 ZN	04	04
24	0511017302	FLAT WASHER	12	12
25	0511014511	REAR SCRAPER GH	02	02
26	0511014512	FRONT SCRAPER GH	02	02
27	0521010578	COUPLING SHAFT	01	01
28	0503031035	HAIR PIN	01	01
29	0503030430	7/16 X 2" PIN LOCK	02	02
30	0501068273	5/8" WRENCH	01	01
31	0501010198	1-1/4" CABLE FLAT WRENCH	02	02



Item	Code	Description	See page	QT
01	0501040249	1.1/4" X 650 AXLE		04
01A	0501010676	1.1/4" X 650 AXLE		04
01B	0501010087	1.1/4" NUT		08
02	0502010834	1-1/4" INNER AXLE WASHER		04
03	0502010835	1-1/4" EXTERNAL AXLE WASHER		04
04	0602025002	18" X 0.2" NOTCHED DISC BLADE		16
05	0602027002	20" X 0.2" NOTCHED DISC BLADE		16
06	0501040301	FRICTION BEARING	4	08
07	0501046911	CM GX 7" 1-1/4" PR BEARING ASSY	3	04
08	0501046911	CM GX 7" 1-1/4" PR BEARING ASSY	3	04
09	0502020068	6.57" SPACER		04
10	0501010455	1.1/4" NUT LOCK		08
11	0503010920	1/2" X 1.1/2" BOLT		08
12	0503010019	1/2" SPRING WASHER		08
13	0511017302	FLAT WASHER		08
14	0501048788	IMPLEMENT PARTS ASSY 5/8 UNC X 2.1/2 CA		16
14A	0501014177	5/8" X 2-1/2" BOLT		01
14B	0501010947	5/8 NUT LOCK		01
14C	0503010013	5/8" NUT		02
14D	0501012140	FLAT WASHER		01



Item	Code	Description	See page	QT
01	0502020313	HOUSING CM		01
02	0503010111	30210 ROLLER BEARING		02
03	0502040218	AXLE		01
04	0503010468	SEAL 01199-GB		02
05	0503030013	4.4" X 3.5" X 0.004" JOINT		03
06	0503030684	4.4" X 3.5" X 0.004" JOINT		02
07	0502020273	HOUSING CAP CM		01
08	0503010025	3/8" SPRING WASHER		04
09	0503010237	3/8" X 1" BOLT		04
10	0502010073	OUTER FLANGE		01
11	0502010074	INNER FLANGE		01
12	0503010002	1800 GREASE FITTING		02



Item	Code	Description	See page	QT
001	0502030004	UPPER COVER HOUSING		01
002	0502030030	REEL		01
003	0502030006	LOWER COVER HOUSING		01
004	0521012326	5/8 UNC X 138 X 117 FASTENER		01
005	0503010027	5/8" SPRING WASHER		02
006	0503010013	5/8" NUT		02
007	0503010002	1800 GREASE FITTING		01
008	0501012140	FLAT WASHER		02



ANNOTATION

Multiple horizontal lines for writing.





MARCHESAN

Technical Publications | Elaboration and Revision

LUIZ CANDIDO

www.marchesan.com.br

