

PARTS CATALOGUE



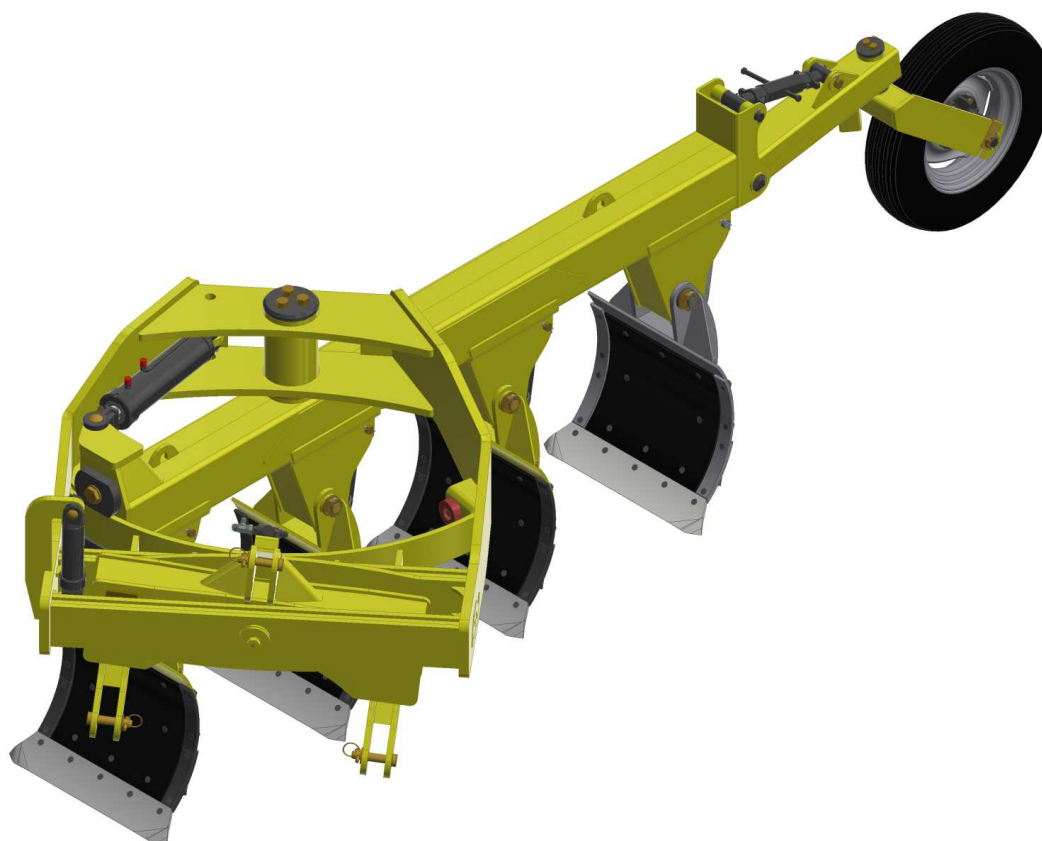
DISK PLOW/MOLDBOARD PLOW/TERRACING PLOW

Code:

0501092133

Product:

AAR2 - 3/4/5 MOLDBOARD



Series:

S-0315

Revision:

00

Date Revision:

ABRIL/2018



PRODUCTS

Code	Description
0101100137	AAR2 3 S-0315
0101100133	AAR2 5 S-0315
0101100136	AAR2 4 S-0315

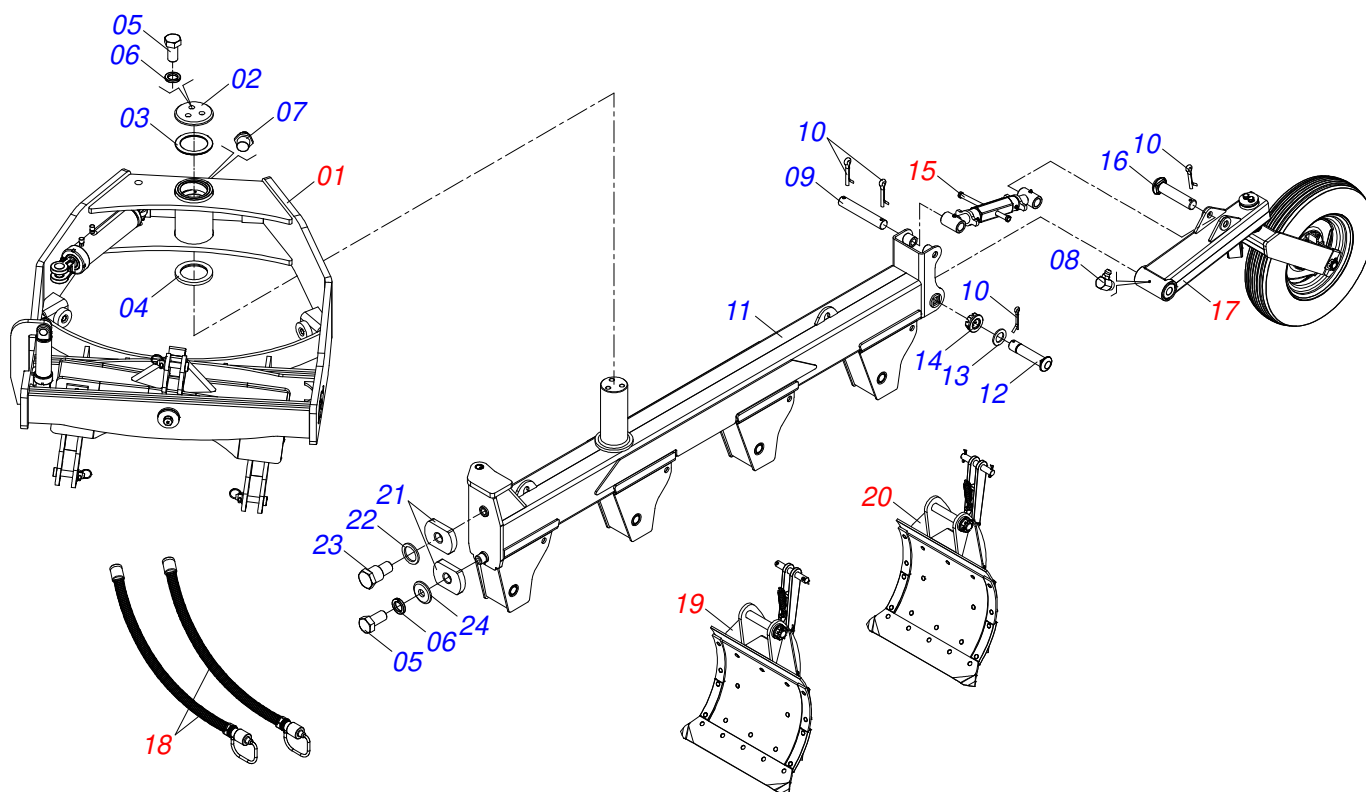
ATTENTION: IMPORTANT

Marchesan S.A. reserves the right to improve and / or modify the technical features of its products, without obligation to do the same with those products already sold and without prior knowledge of the dealer or the consumer.

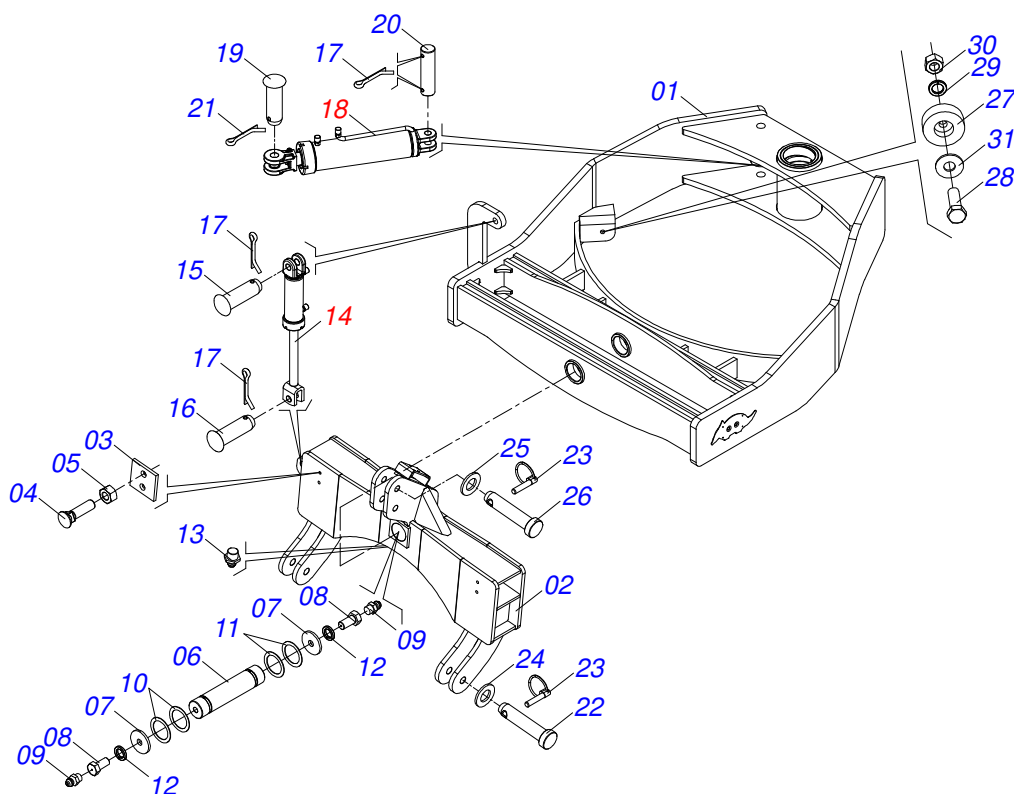


INDEX

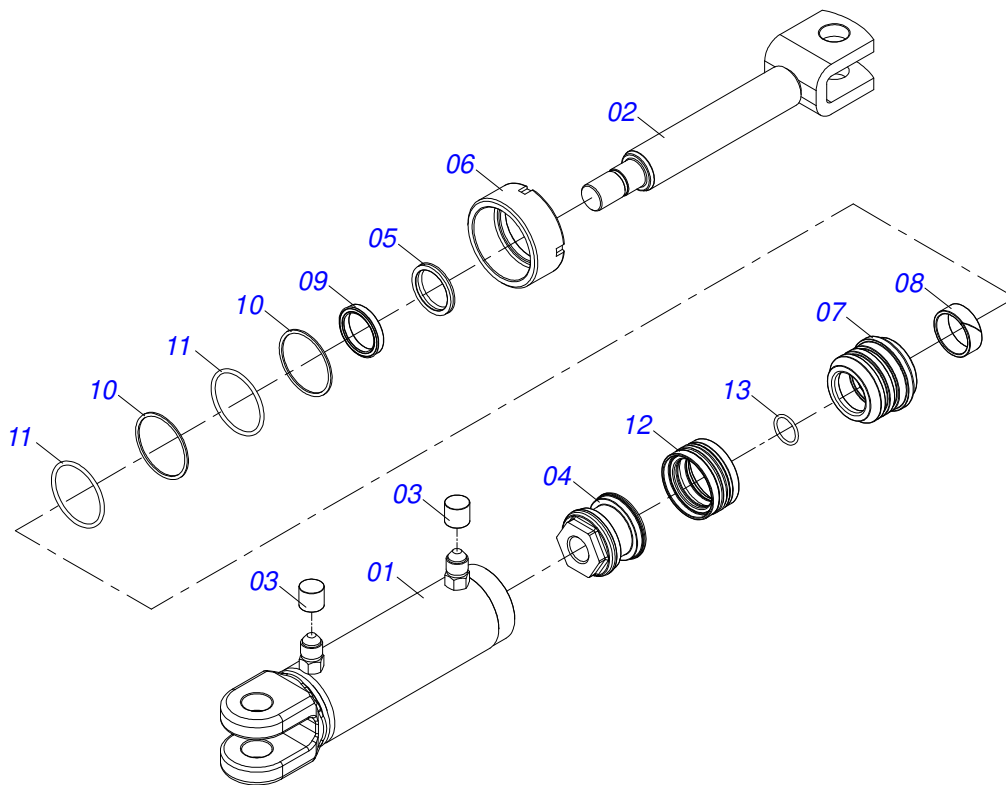
0909093896	AAR2 - 3/4/5 MOLDBOARD	1
0909093900	ASSY HEADER	2
0511058581	38,10 X 63,50 X 360 X 126 HYDRAULIC CYLINDER	3
0511058420	50,80 X 101,60 X 625 X 330 HYDRAULIC CYLINDER	4
0501047699	ESTABILIZER ASSY	5
0909093901	COMPLETE WHEEL	6
0501052245	WHEEL WITHOUT TIRE	7
0503060094	WHEEL AND TIRE ASSY	8
0501052246	MOLDBOARD FRONT ASSY	9
0501052247	REAR MOLDBOARD ASSY	10
0511052997	ASSY DEVIATION SYSTEM ROD	11
0909093902	HYDRAULIC CIRCUIT	12
0501044080	RETAINING VALVE	13
0501053834	MALE QUICK COUPLER WITH CAP - 1/2 NPT	14



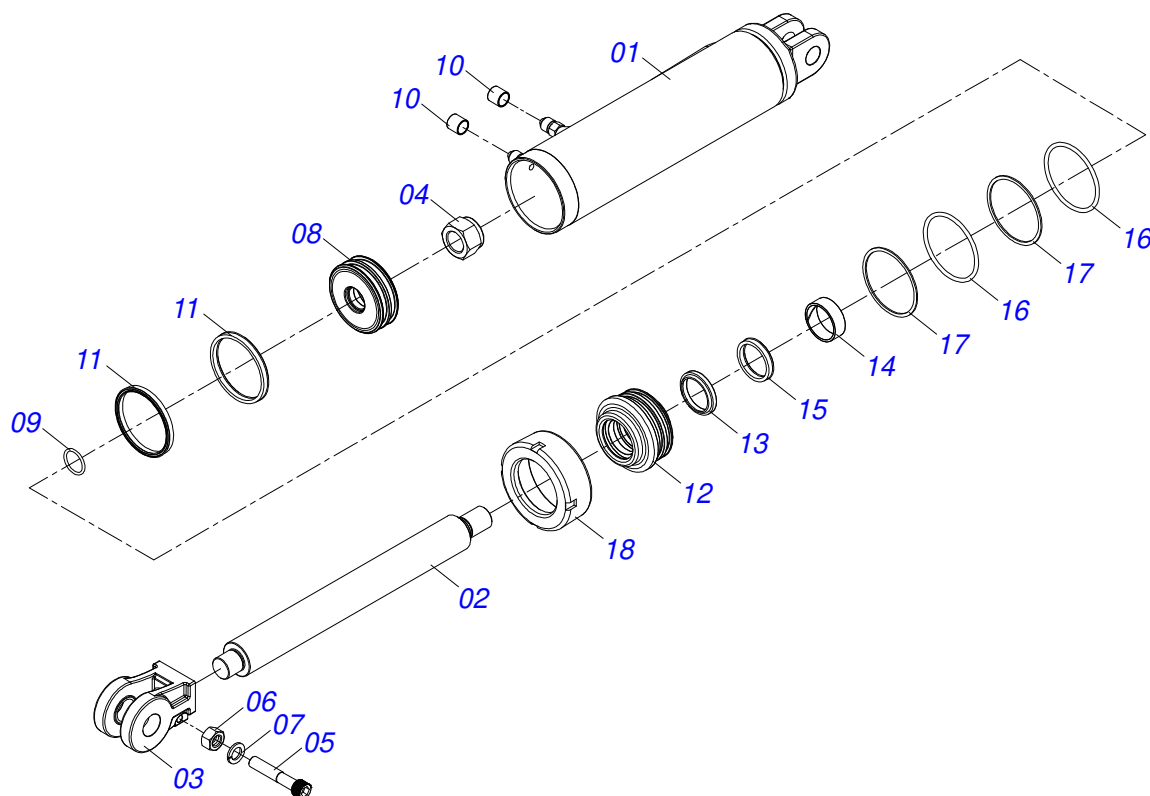
Item	Code	Description	See page	03	04	05
01	0909093900	ASSY HEADER	2	01	01	01
02	0521014022	UPPER FLANGE		01	01	01
03	0521014197	FLAT WASHER		01	01	01
04	0521014041	SPACING BUSHING AXLE 127,50 X 175 X 16		01	01	01
05	0503010953	1" X 2" BOLT		04	04	04
06	0503010012	1" SPRING WASHER		04	04	04
07	0503010002	1800 GREASE FITTING		01	01	01
08	0503010004	1890 GREASE FITTING		01	01	01
09	0521014216	COUPLING SHAFT		01	01	01
10	0503010523	1/4" X 2" COTTERPIN		04	04	04
11	0521062265	FRAME FOR MOLDBOARD		01	00	00
11.	0521062258	FRAME FOR MOLDBOARD		00	01	00
11..	0521062264	FRAME FOR MOLDBOARD		00	00	01
12	0561018588	COUPLING SHAFT		01	01	01
13	0501012916	FLAT WASHER 38,50 X 66 X 4,75 ZN		01	01	01
14	0501011301	1.1/2 UNC 6FPP 2.5/16 NUT		01	01	01
15	0501047699	ESTABILIZER ASSY	5	01	01	01
16	0521014092	AXLE LOCK		01	01	01
17	0909093901	COMPLETE WHEEL	6	01	01	01
18	0909093902	HYDRAULIC CIRCUIT	12	01	01	01
19	0501052246	MOLDBOARD FRONT ASSY	9	02	03	04
20	0501052247	REAR MOLDBOARD ASSY	10	01	01	01
21	0561018251	REVERSIBLE GUIDE		02	02	02
22	0521815614	46 X 63,50 X 4,75 FLAT WASHER		01	01	01
23	0561018267	GUIDE FASTENER		01	01	01
24	0521014196	FLAT WASHER		01	01	01



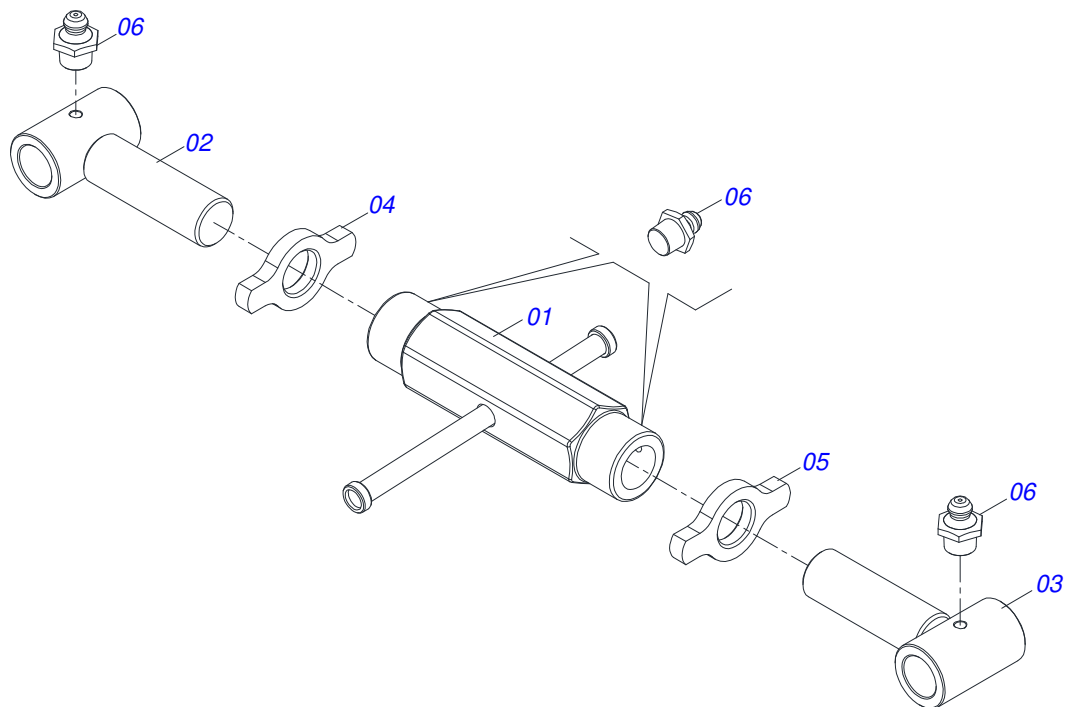
Item	Code	Description	See page	QT
01	0521065991	HEADER		01
02	0521065993	OFFSET BAR		01
03	0511011591	4.0" X 4.0" PLATE		04
04	0501011899	7/16" X 1-3/4" BOLT		08
05	0503010244	7/16" NUT		08
06	0581010598	AXLE		01
07	0581010599	FLAT WASHER		02
08	0511014869	1" X 2" WITH HOLE BOLT		02
09	0503010691	1/4" GREASE FITTING		02
10	0531015318	FLAT WASHER		02
11	0531815317	81,50X110X3,00 STA SA FLAT WASHER		02
12	0503010012	1" SPRING WASHER		02
13	0503010002	1800 GREASE FITTING		01
14	0511058581	38,10 X 63,50 X 360 X 126 HYDRAULIC CYLINDER	3	01
15	0521010575	0.9" X 3.3" COUPLING SHAFT		01
16	0521010572	0.9" X 2.9" COUPLING SHAFT		01
17	0503010571	1/4" X 1.1/2 COTTERPIN		04
18	0511058420	50,80 X 101,60 X 625 X 330 HYDRAULIC CYLINDER	4	01
19	0521012538	1.2" X 3.5" COUPLING SHAFT		01
20	0521010777	0.9" X 3.7" COUPLING SHAFT		01
21	0503010523	1/4" X 2" COTTERPIN		01
22	0521010629	1.1" X 5.1" COUPLING SHAFT		02
23	0503030430	7/16 X 2" PIN LOCK		03
24	0511017480	FLAT WASHER		02
25	0511015994	FLAT WASHER		01
26	0521010498	0.9" X 5.1" COUPLING SHAFT		01
27	0521011481	FRAME BATTERY		02
28	0501010100	SCREW 5/8 UNC X 2 CS G.5 ZN		02
29	0503010027	5/8" SPRING WASHER		02
30	0503010013	5/8" NUT		02
31	0571010265	16.5 X 40 X 3 FLAT WASHER		02



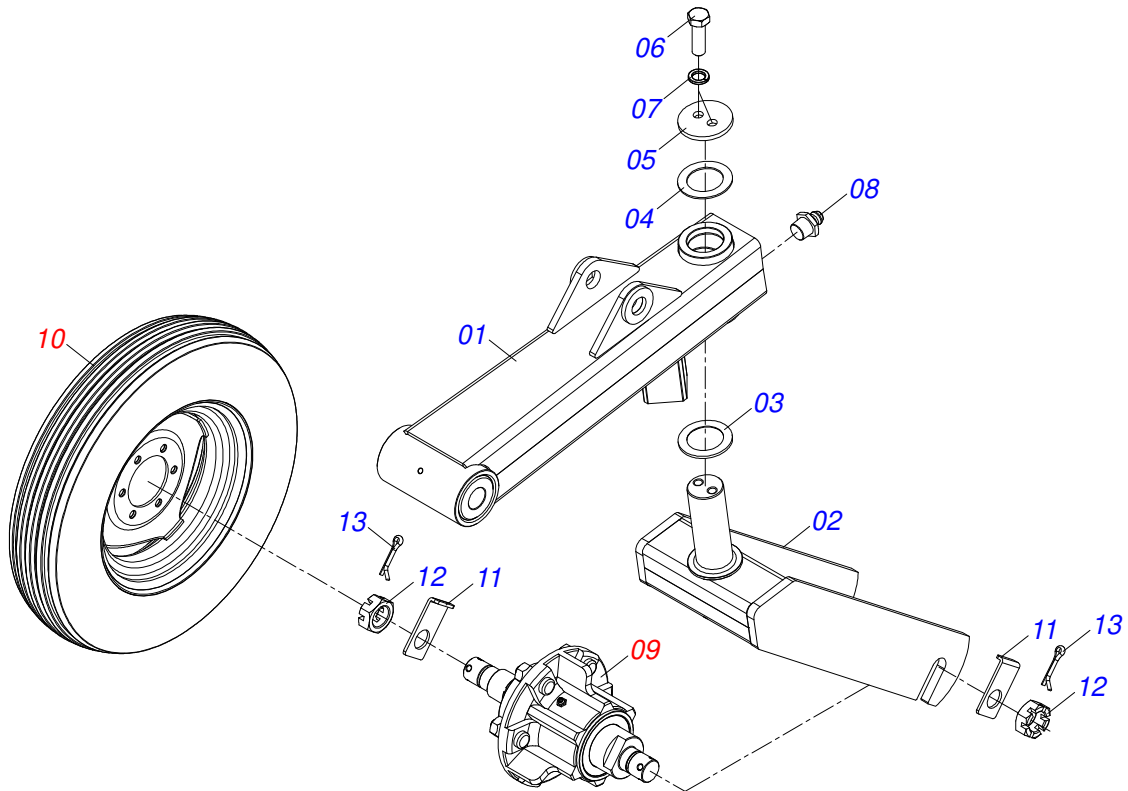
Item	Code	Description	See page	QT
01	0501065906	2.5" X 5" CYLINDER CASE		01
02	0521066626	HYDRAULIC CYLINDER TURNBUCKLE		01
03	0503030385	CYLINDER PLUG N-002		02
04	0502012837	PISTON		01
05	0503010163	D-1500 SCRAPER RING		01
06	0502010471	MOBILE COVER		01
07	0581010668	RING SUPPORT		01
08	0503018004	RING		01
09	0503018003	GASKET		01
10	0503018163	BACK-UP RING		02
11	0503018162	O'RING		02
12	0503018005	RING		01
13	0503011109	2-119 N 3006-9B O'RING		01



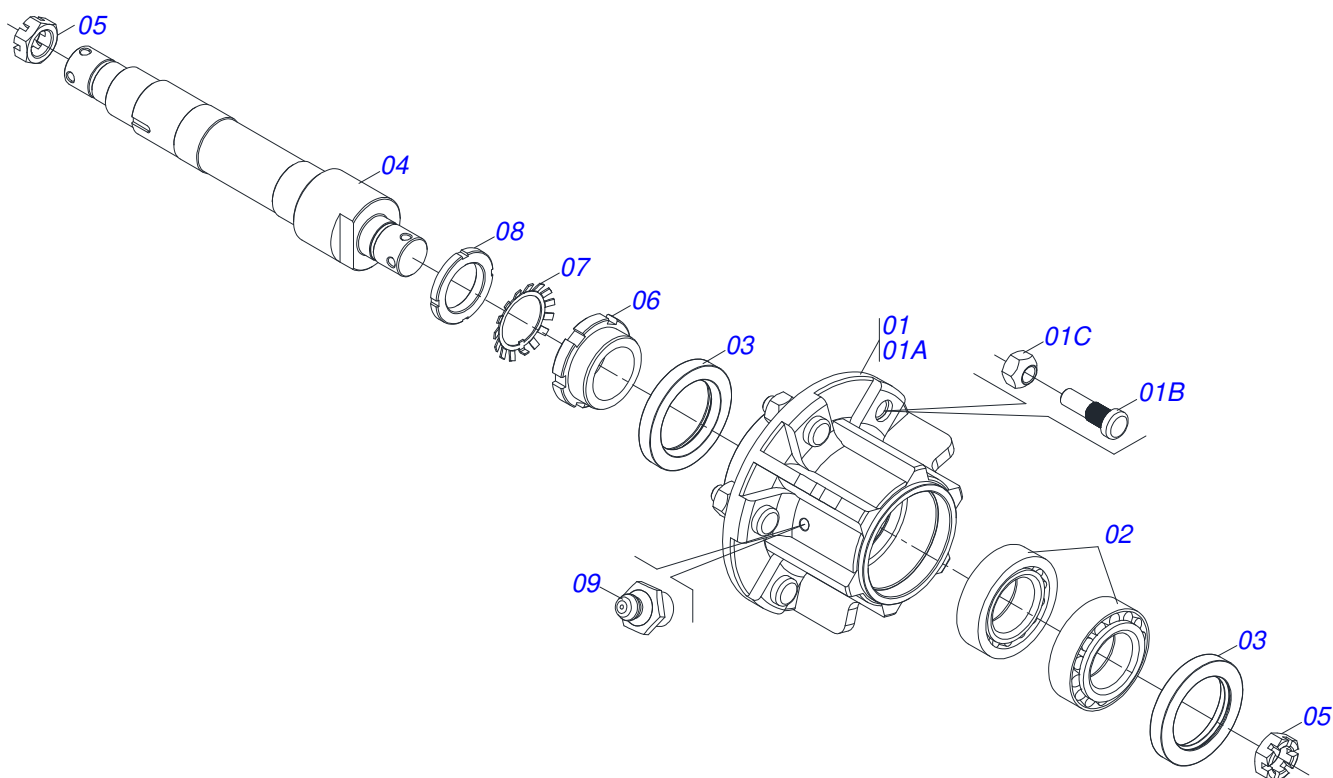
Item	Code	Description	See page	QT
01	0501068739	63,50 X 487 CYLINDER CASE		01
02	0521010035	ROD		01
03	0502040747	32.54 CLEVIS CLAMP		01
04	0503010817	1.1/4" SELF LOCKING NUT		01
05	0503011094	3/8" X 2" BOLT		01
06	0503010026	3/8" NUT		01
07	0503010025	3/8" SPRING WASHER		01
08	0581010843	PISTON		01
09	0503010345	2-218 N 3006-9B O'RING		01
10	0503030385	CYLINDER PLUG N-002		02
11	0503018194	GASKET		02
12	0581010678	50,80 X 101 RING SUPPORT		01
13	0503015636	SCRAPER SEAL		01
14	0503018025	RING GUIDE		01
15	0503018026	1870-2000-375 B GASKET		01
16	0503010338	2-342 N 3006-9B O'RING		02
17	0503011061	8-342 BACK-UP RING		02
18	0502012822	101.60 END CAP		01



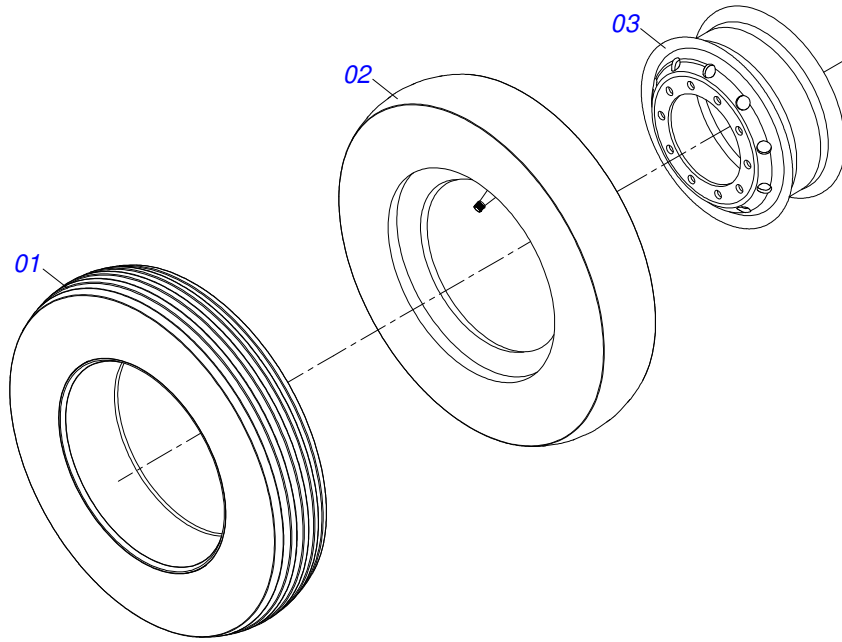
Item	Code	Description	See page	QT
01	0501110262	245 ADJUSTMENT NUT		01
02	0501064001	RIGHT JACK CRANK		01
03	0501064002	LEFT JACK CRANK		01
04	0541018672	COUNTERNUT		01
05	0541018673	COUNTERNUT		01
06	0503010002	1800 GREASE FITTING		04



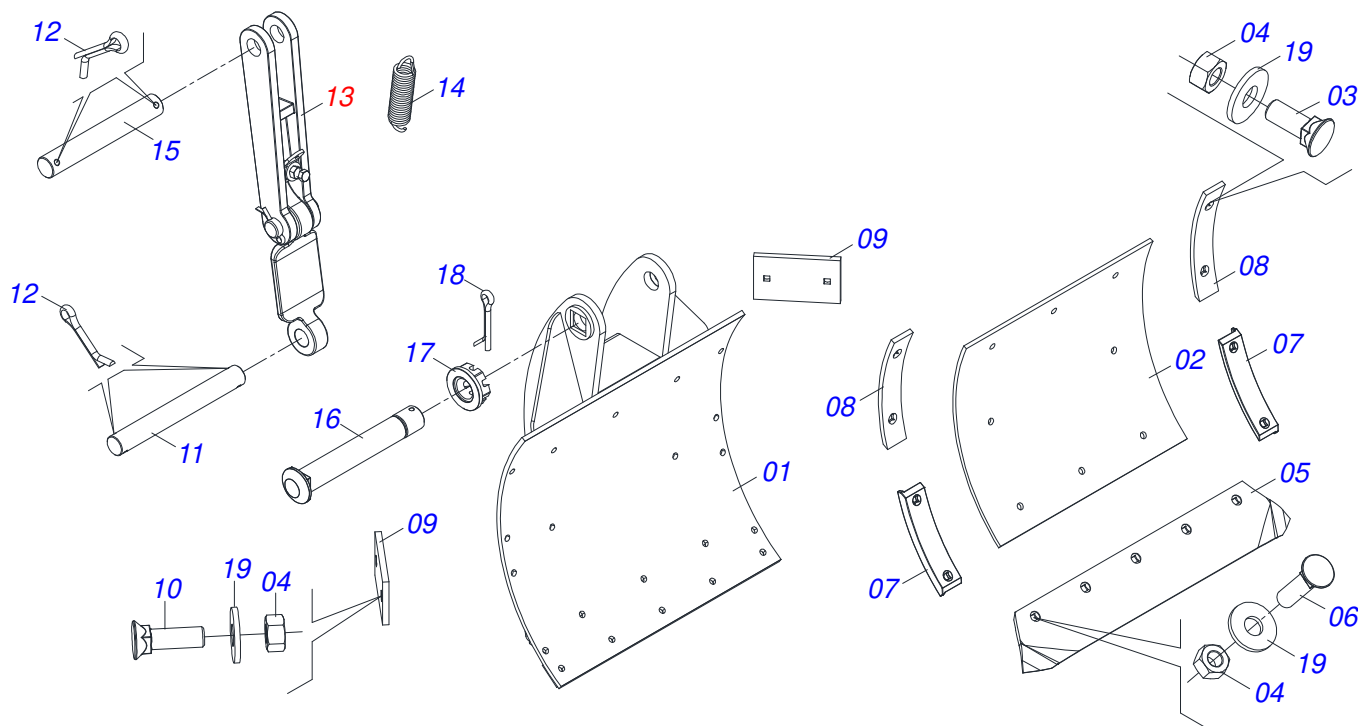
Item	Code	Description	See page	QT
01	0511069625	ARM FIXER CARRYING-WHEELS		01
02	0511060365	CARRYING WHEELS FIXER		01
03	0521014023	MIDDLEMAN FLANGE		01
04	0521014024	WASHER SPACER		01
05	0521014014	REAR FIXER FLANGE		01
06	0501010100	SCREW 5/8 UNC X 2 CS G.5 ZN		02
07	0503010027	5/8" SPRING WASHER		02
08	0503010002	1800 GREASE FITTING		01
09	0501052245	WHEEL WITHOUT TIRE	7	01
10	0503060094	WHEEL AND TIRE ASSY	8	01
11	0531015109	WHEEL AXLE LOCK		02
12	0503011052	1.1/4" X 0.77" CASTLE NUT		02
13	0503010523	1/4" X 2" COTTERPIN		02



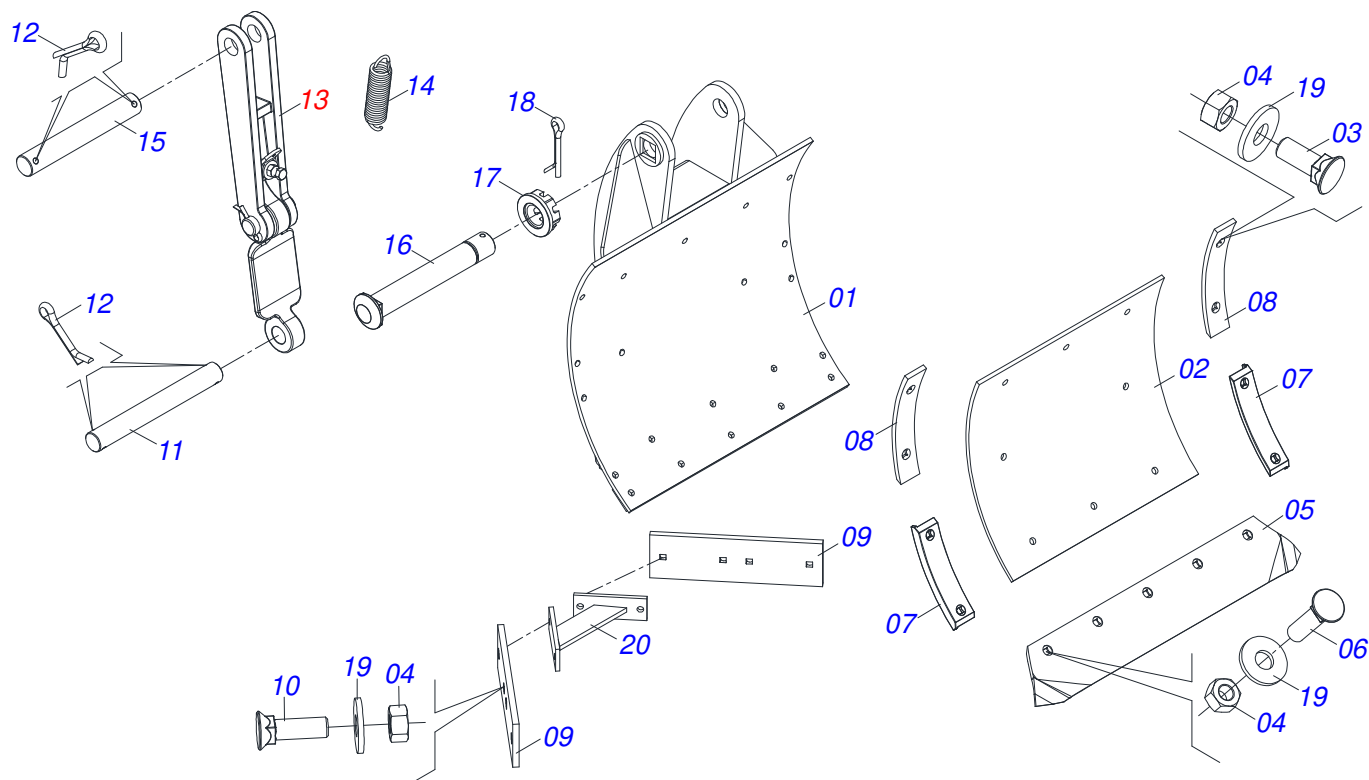
Item	Code	Description	See page	QT
01	0501110733	WHEEL HUB		01
01A	0502011120	TRANSP WHEEL HUB		01
01B	0501010127	9/16" X 1-7/8" LUG BOLT		06
01C	0503010035	9/16" CONIC NUT		06
02	0503010328	25590/25523 ROLLER BEARING		02
03	0503010804	00547-B SEAL		02
04	0521014068	CARRYING WHEEL AXLE		01
05	0503011052	1.1/4" X 0.77" CASTLE NUT		02
06	0511015949	LOCK NUT		01
07	0503010329	LOCK WASHER		01
08	0503010330	KM 9 LOCKNUT		01
09	0503010002	1800 GREASE FITTING		01



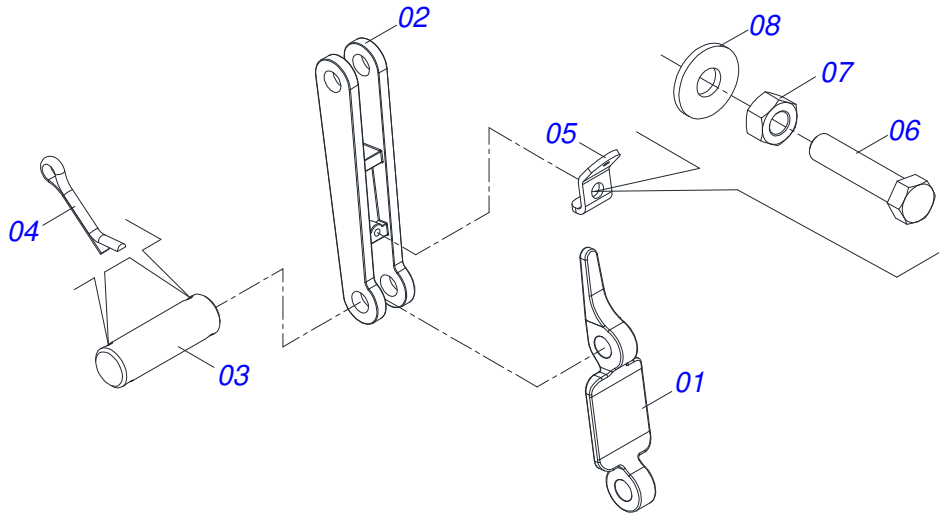
Item	Code	Description	See page	QT
01	0503010065	CANVAS TIRE		01
02	0503010068	6.00 X 16 INNER TIRE		01
03	0503010894	0.2"X0.6"X4.6"X6F0.6"X6" WHEEL		01



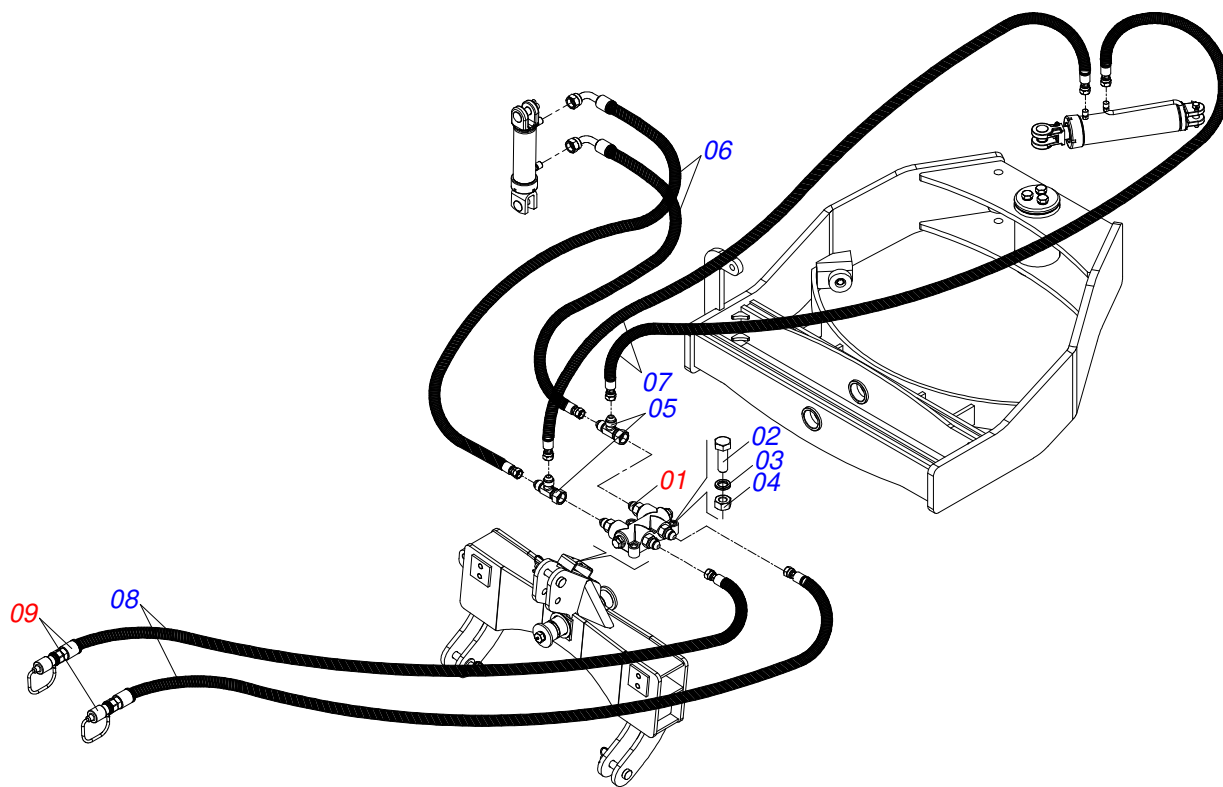
Item	Code	Description	See page	QT
01	0511060400	MOLDBOARD (AARP)		01
02	0511011127	PLASTIC LINING		01
03	0503011426	7/16" X 1-1/4" BOLT		16
04	0503010244	7/16" NUT		25
05	0622380002	SHEAR POINT		01
06	0503010773	7/16" X 1-3/4" BOLT		05
07	0502070060	LOWER BAR STOP MOLDBOARD		02
08	0511011126	UPPER BAR STOP MOLDBOARD		02
09	0511011175	SMALLER MOLDBOARD GUIDES		02
10	0503011199	7/16" X 1-1/2" BOLT		04
11	0521014037	1.1" X 8.4" COUPLING SHAFT		01
12	0503010571	1/4" X 1.1/2" COTTERPIN		04
13	0511052997	ASSY DEVIATION SYSTEM ROD	11	01
14	0503031515	1.2" X 5.1" X 0.2" EXTENSION SPRING		01
15	0521014038	1.1" X 7.6" COUPLING SHAFT		01
16	0561018588	COUPLING SHAFT		01
17	0501011301	1.1/2 UNC 6FPP 2.5/16 NUT		01
18	0503010010	1/4" X 2.1/2" COTTERPIN		01
19	0501012803	FLAT WASHER		25



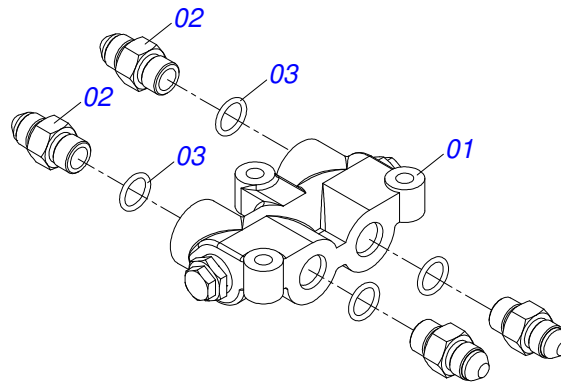
Item	Code	Description	See page	QT
01	0511060400	MOLDBOARD (AARP)		01
02	0511011127	PLASTIC LINING		01
03	0503011426	7/16" X 1-1/4" BOLT		16
04	0503010244	7/16" NUT		29
05	0622380002	SHEAR POINT		01
06	0503010773	7/16" X 1-3/4" BOLT		05
07	0502070060	LOWER BAR STOP MOLDBOARD		02
08	0511011126	UPPER BAR STOP MOLDBOARD		02
09	0511011801	LARGER MOLDBOARD GUIDES		02
10	0503011199	7/16" X 1-1/2" BOLT		08
11	0521014037	1.1" X 8.4" COUPLING SHAFT		01
12	0503010571	1/4" X 1.1/2 COTTERPIN		04
13	0511052997	ASSY DEVIATION SYSTEM ROD	11	01
14	0503031515	1.2" X 5.1" X 0.2" EXTENSION SPRING		01
15	0521014038	1.1" X 7.6" COUPLING SHAFT		01
16	0561018588	COUPLING SHAFT		01
17	0501011301	1.1/2 UNC 6FPP 2.5/16 NUT		01
18	0503010010	1/4" X 2.1/2" COTTERPIN		01
19	0501012803	FLAT WASHER		31
20	0501065737	REAR SUPPORT GUIDE		01



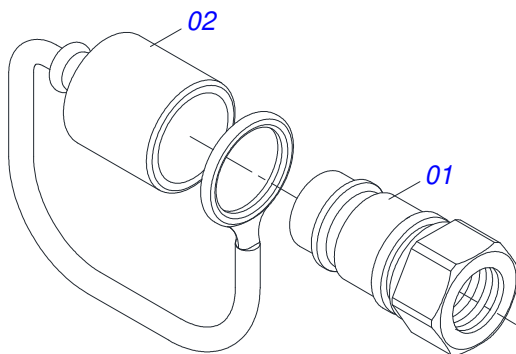
Item	Code	Description	See page	QT
01	0521011631	AUTOMATIC RESET		01
02	0502011164	SUPPORT SPRING		01
03	0511015689	1.1" X 3.5" COUPLING SHAFT		01
04	0503010571	1/4" X 1.1/2 COTTERPIN		02
05	0521014033	LOWER SPRING FIXER		01
06	0503012555	SCREW 7/16 UNC X 2 CS RT G.7 ZN		01
07	0503010244	7/16" NUT		01
08	0501012803	FLAT WASHER		01



Item	Code	Description	See page	QT
01	0501044080	RETAINING VALVE	13	01
02	0503010421	5/16" X 1-1/2" BOLT		03
03	0503010179	5/16" ZN SPRING WASHER		03
04	0503010337	5/16" NUT		03
05	0503011968	3/4" 8R6X-S T ADAPTER WITH SWIVEL NUT		02
06	0501080406	3/8" X 23" TR-TC HOSE		02
07	0501080439	3/8" X 43" TR-TR HOSE ASSY		02
08	0501080440	HOSE 3/8 X 1350 TR-TM		02
09	0501053834	MALE QUICK COUPLER WITH CAP - 1/2 NPT	14	02



Item	Code	Description	See page	QT
001	0503060113	VALVE		01
002	0501010617	3/4" NIPPLE		04
003	0503010190	2-114 N 3006-9B O'RING		04



Item	Code	Description	See page	QT
01	0503011627	MALE QUICK COUPLER AGR 1/2 NPT		01
02	0503011882	MALE QUICK COUPLER CAP		01



www.marchesan.com.br



Technical Publications | Elaboration and Revision
ALESSANDRA PATRICIA KAWAHARA CARRILI